

PRESTIGIO®
REVOLT A3

Wireless charger



User Manual

Contents:

Read Before Using	3
Benefits of Prestigio Revolt A3 Smart Dock	5
Product Bundle	6
Components and Interface Elements	7
Technical Specifications	8
Operation Guide	9
LED Indicators	13
Troubleshooting	14
Safety Guidelines	17
Care Recommendations	18
Transportation and Storage Rules	19
Waste Disposal	20

Read Before Using

Thank you for choosing the Prestigio Revolt A3 wireless charger. To ensure that you are using the charger correctly and safely, please read this manual before you start. Do not discard the manual, as you may have to refer to it in the future.

Please note that the design and position of certain elements may differ from the images and descriptions you will find below because, as part of its commitment to continuous improvement, the manufacturer reserves the right to alter the charger's specifications without prior notice.

The company will not be held liable for damage caused by improper use of the charger.

The purpose of this manual is to provide information, and it does not constitute any overt or covert warranty.

For the latest updates, go to www.prestigio.com.

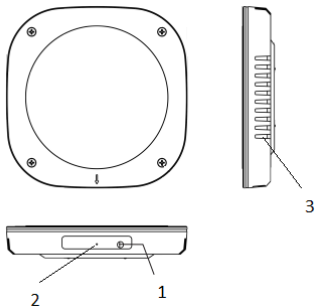
Benefits of Prestigio Revolt A3 Charger

The Prestigio Revolt A3 wireless charger is designed for your comfort. Its design and operation principles allow you to position it as conveniently as possible, so that it won't get in the way and won't become an eyesore.

Product Bundle

Prestigio Revolt A3 wireless charger	1 pc.
Power adapter 24V/1A	1 pc.
Charging pad	1 pc.
Quick user guide	1 pc.
Warranty card	1 pc.

Components and Interface Elements



1. DC input for the power adapter
2. LED indicator
3. Ventilation holes

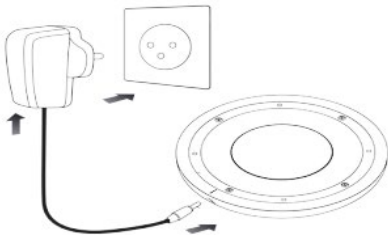
Technical Specifications

Dimensions	115*115*21 mm (h*w*d)
Power capacity	24V/1A
Wireless charging interface	5/7.5/10W
Optimal use range	15-35 mm

Operation Guide

1. Choose where you will place the wireless charger.

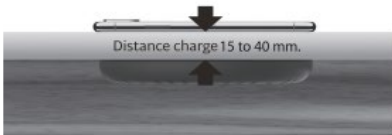
Attention. Make your choice very carefully. Before mounting the charger, ensure that the power adapter's cable length will be sufficient for comfortably plugging it in.



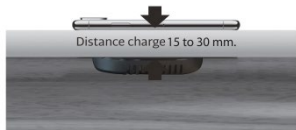
2. Using double-sided tape, attach the charger to any non-metal surface.

Attention. Determine where you want the DC port to be in advance, then mount the charger with the port's position in mind.

The surface where you will be mounting the charger must be between 15 and 35 mm thick. This is the device's active range.



4. Place the charging pad on the other side of the surface you chose, ensuring that the pad's center aligns with the center of the charger. The pad will focus the charger's emissions on your smartphone.



Attention. While charging, do not place any metal objects (including paper clips, coins, keys, etc.) or plastic bank cards between the smartphone and the charging pad. This may damage your smartphone or its case, the charging pad, or the object within the charger's active range.



5. Plug the wireless charger in, using the included power adapter.
6. Place your smartphone in the center of the charging pad. Please note that the smartphone must support wireless charging.



LED Indicators

Red light	The wireless charger is plugged in and on standby.
Green light	The wireless charger is plugged in and in use.
The LED indicator is blinking red once every second	The charger is malfunctioning. Please consult the Troubleshooting section.

Troubleshooting

<p>The charger is not working. The LED indicator is dark</p>	<ul style="list-style-type: none">- Use only the original power adapter- Ensure that the charger has been plugged in- Ensure that the socket you have plugged the adapter into is receiving power
<p>The LED indicator is red, but the phone is not charging</p>	<ul style="list-style-type: none">- Ensure that your smartphone supports wireless charging- Ensure that the thickness of the surface that separates the wireless charger and the charging pad falls within the 15-40 mm range.- Ensure that your smartphone is properly aligned with the charging pad

	<ul style="list-style-type: none">- Try repositioning your smartphone by moving it a little in different directions
The LED indicator is blinking red once every second	<ul style="list-style-type: none">- Use only the original power adapter- Ensure that no other objects were placed between the charging pad and the smartphone- Try repositioning your smartphone by moving it a little in different directions- Unplug the charger and let it rest at least 30 minutes, then try again. The device could be malfunctioning because it is overheating in a warm room or because it lacks natural ventilation.
The problem isn't solved	If this didn't solve your problem or if you have additional questions, please contact

	customer support. The contact information is provided in the warranty card.
--	---

Safety Guidelines

1. Use the charger only for its intended purpose.
2. Use only the power adapter supplied with the charger
3. Do not disassemble the charger or try to alter its structure or design. If the device needs maintenance or repair, take it only to an authorized service center.
4. If you have run into an issue, or if any part of the charger has been damaged, stop using it immediately, unplug it, and contact a service center.
5. The charger cannot come into contact with moisture, oil, chemicals, or any organic fluids. We do not recommend using the charger in areas with high humidity.

6. Do not use the charger in very dusty places.
7. Keep the charger and its accessories out of the reach of children.

Care Recommendations

Clean the charger with a soft, dry cloth or with alcohol-free wipes for cleaning office equipment.

Transportation and Storage Rules

1. The charger is not intended for use in residential, business, or industrial zones with a hazard risk.
2. We recommend storing and using the charger in environments where temperatures range from 0 °C to +40 °C and the relative humidity is 10~80%.
3. Long-term storage is permitted only in the charger's original packaging in dark, dry, clean, well-ventilated enclosed spaces.
4. The charger may be shipped by any means of transport across any distance, but it must be shipped in its original packaging.

Waste Disposal

Do not dispose of the charger and its accessories with regular household waste. At the end of their service life, take them to an electronics recycling facility.

© 2020 Prestigio. All rights reserved. All names and trademarks, as well as logos and other symbols mentioned herein are the property of their respective owners. Prestigio reserves the right to amend this document without prior notice to its customers, and it will not be held liable for any negative consequences that may result from technical and/or typographic errors in this document and/or from using an outdated version of this document.

prestigio.com

