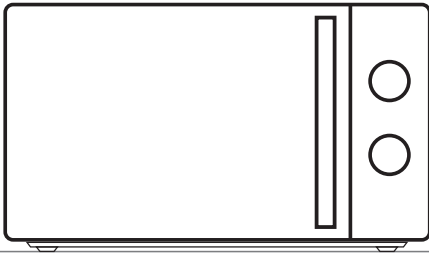


# **gorenje**



**MO20E2BH**

[www.gorenje.com](http://www.gorenje.com)





Instruction manual / Microwave oven <b>EN</b> .....	4
Gebrauchsanweisung / Mikrowellengerät <b>D</b> .....	17
Notice d'utilisation / Micro-ondes <b>F</b> .....	31
Návod na použití / Mikrovlnná trouba <b>CZ</b> .....	44
Návod na obsluhu / Mikrovlnná rúra <b>SK</b> .....	57
Használati utasítás / Mikrohullámú sütő <b>H</b> .....	70
Instrukcja obsługi / Kuchenka mikrofalowa <b>PL</b> .....	83
Instruções de utilização / Forno de Micro-ondas <b>PT</b> .....	96
Gebruiksaanwijzing / Magnetron oven <b>NL</b> .....	109
Instrucciones para el uso / Horno microondas <b>ES</b> .....	122
Istruzioni per l'uso / Forno a microonde <b>IT</b> .....	135

---

## DEAR CUSTOMER

We sincerely thank you for your purchase. We believe you will soon find ample evidence that you can really rely on our products. To make the use of the appliance easier, we attach these comprehensive instruction manual.

The instructions should aid you in getting familiar with your new appliance. Please, read them carefully before using the appliance for the first time.

In any case, please make sure the appliance was supplied to you undamaged. Should you identify and transport damage, contact your sales representative or the regional warehouse from where the product was delivered. You will find the telephone number on the receipt or delivery report.

We wish you a lot of pleasure with your new household appliance.



The appliance for household use for heating food and beverages using electromagnetic energy, for indoor use only.

---

## INSTRUCTIONS FOR USE

These instructions are intended for the user. They describe the cooker and how to use it. They also apply to different types of appliances, therefore you may find some descriptions of functions that may not apply to your appliance.

## IMPORTANT SAFETY INSTRUCTIONS



Never touch the surfaces of heating or cooking appliances. They will become hot during operation. Keep children at a safe distance. There is a risk of burning!



Microwave energy & High voltage!  
Do not remove the cover.

**WARNING!** The appliance and its accessible parts become hot during use. Care should be taken to avoid touching heating elements. Children less than 8 years of age shall be kept away unless continuously supervised. Children should be supervised to ensure that they do not play with the appliance.

This appliance can be used by children aged from 8 years and above and persons with reduced physical, sensory or mental capabilities or lack of experience and knowledge if they have been given supervision or instruction concerning use of the appliance in a safe way and understand the hazards involved. Children shall not play with the appliance. Cleaning and maintenance shall not be made by children unless they are older than 8 and supervised.

Keep the appliance and its cord out of reach of children less than 8 years.

- **WARNING:** When the appliance is operated in the combination mode, children should only use the oven under adult supervision due to the temperatures generated; (Only for the model with grill function)

- **WARNING:** If the door or door seals are damaged, the oven must not be operated until it has been repaired by a competent person;
- **WARNING:** It is hazardous for anyone other than a competent person to carry out any service or repair operation that involves the removal of a cover which gives protection against exposure to microwave energy;
- **WARNING:** liquids and other foods must not be heated in sealed containers since they are liable to explode.
- Children should be supervised to ensure that they do not play with the appliance.
- Don't remove oven's feet, do not block air vents of the oven.
- Only use utensils that are suitable for use in microwave ovens.
- When heating food in plastic or paper containers, keep an eye on the oven due to the possibility of ignition;
- If smoke is observed, switch off or unplug the appliance and keep the door closed in order to stifle any flames;
- Microwave heating of beverages can result in delayed eruptive boiling, therefore care must be taken when handling the container;
- The contents of feeding bottles and baby food jars shall be stirred or shaken and the temperature checked before consumption, in order to avoid burns;
- Eggs in their shell and whole hard-boiled eggs should not be heated in microwave ovens since they may explode, even after microwave heating has ended;

- When cleaning surfaces of door, door seal, cavity of the oven, use only mild, nonabrasive soaps, or detergents applied with a sponge or soft cloth.
- The oven should be cleaned regularly and any food deposits removed;
- Failure to maintain the oven in a clean condition could lead to deterioration of the surface that could adversely affect the life of the appliance and possibly result in a hazardous situation;
- If the supply cord is damaged, it must be replaced by the manufacturer, its service agent or similarly qualified persons in order to avoid a hazard.
- Do not let the cord hang over the edge of the table or worktop.
- Never connect this appliance to an external timer switch or remote control system in order to avoid a hazardous situation.
- Never replace the light bulb inside the oven. It must always be replaced by Gorenje service.
- Do not clean the appliance with steam cleaners, high-pressure cleaners, sharp objects, abrasive cleaning agents, and abrasive sponges and stain removers.

## SAFETY INSTRUCTIONS FOR GENERAL USE

Listed below are, as with all appliances, certain rules to follow and safeguards to assure top performance from this oven:

1. Always have the glass tray, roller arms, coupling and roller track in place when operating the oven.
2. Do not use the oven for any reason other than food preparation, such as for drying clothes, paper, or any other nonfood items, or for sterilizing purposes.
3. Do not operate the oven when empty. This could damage the oven.
4. Do not use the oven cavity for any type of storage, such as papers, cookbooks, etc.
5. Do not cook any food surrounded by a membrane, such as egg yolks, potatoes, chicken livers, etc without first being pierced several times with a fork.
6. Do not insert any object into the openings on the outer case.
7. Do not at any time remove parts from the oven such as the feet, coupling, screws, etc.
8. Do not cook food directly on the glass tray. Place food in/on proper cooking utensil before placing in the oven.

### **IMPORTANT - COOKWARE NOT TO USE IN YOUR MICROWAVE OVEN**

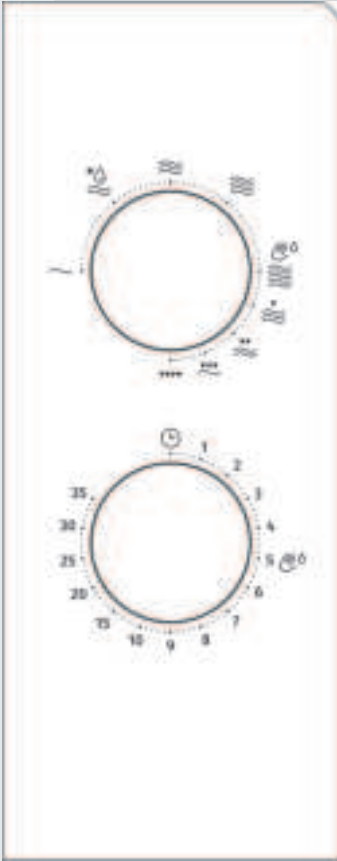
- Do not use metal pans or dishes with metal handles.
  - Do not use anything with metal trim.
  - Do not use paper covered wire twist-ties on plastic bags.
  - Do not use melamine dishes as they contain a material which will absorb microwave energy. This may cause the dishes to crack or char and will slow down the cooking speed.
  - Do not use Centura Tableware. The glaze is not suitable for microwave use. Corelle Livingware closed handle cups should not be used.
  - Do not cook in a container with a restricted opening, such as a pop bottle or sealed oil bottle, as they may explode if heated in a microwave oven.
  - Do not use conventional meat or candy thermometers.
  - There are the thermometers available specifically for microwave cooking. These may be used.
9. Microwave utensils should be used only in accordance with manufacturer's instructions.
  10. Do not attempt to deep-fry foods in this oven.
  11. Please remember that a microwave oven only heats the liquid in a container rather than the container itself. Therefore, even though the lid of a container is not



hot to the touch when removed from the oven, please remember that the food/liquid inside will be releasing the same amount of steam and/or spitting when the lid is removed as in conventional cooking.

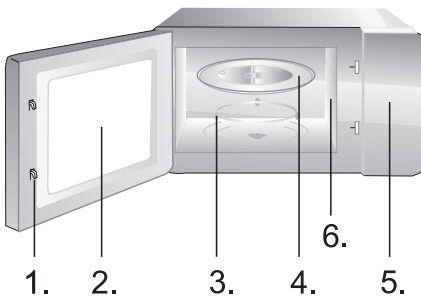
12. Always test the temperature of cooked food yourself especially if you are heating or cooking food/liquid for babies. It is advisable never to consume food/liquid straight from the oven but allow it to stand for a few minutes and stir food/liquid to distribute heat evenly.
13. Food containing a mixture of fat and water, e.g. stock, should stand for 30-60 seconds in the oven after it has been turned off. This is to allow the mixture to settle and to prevent bubbling when a spoon is placed in the food/liquid or a stock cube is added.
14. When preparing/cooking food/liquid and remember that there are certain foods, e.g. Christmas puddings, jam and mincemeat, which heat up very quickly. When heating or cooking foods with a high fat or sugar content do not use plastic containers.
15. Cooking utensil may become hot because of heat transferred from the heated food. This is especially true if plastic wrap has been covering the top and handles of the utensil. Potholders may be needed to handle the utensil.
16. To reduce the risk of fire in the oven cavity:
  - a) Do not overcook food. Carefully attend microwave oven if paper, plastic, or other combustible materials are placed inside the oven to facilitate cooking.
  - b) Remove wire twist-ties from bags before placing bag in oven.
  - c) If materials inside the oven should ignite, keep oven door closed, turn the oven off at the wall switch, or shut off power at the fuse or circuit breaker panel.

# CONTROL PANEL



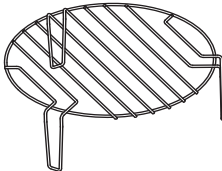
1 - Cooking Power Control knob

2 - Timer Knob (0-35 Minutes)



1. Door Safety Lock System
2. Oven Window
3. Roller Ring
4. Glass Tray
5. Control Panel
6. Wave guide (please do not remove the mica plate covering the wave guide)

Grill rack (Only be used for grill or for combination function and be placed on glass tray)



# OPERATION INSTRUCTION

## STOPPING THE COOKING

1. **To stop temporarily; Open the door. Result: Cooking stops. To resume cooking close the door.**
2. **To stop completely: turn the Timer knob to »0«.**

## DEFROST COOKING

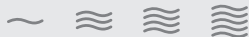


**The defrost feature enables you to defrost meat, poultry and fish.** First place the frozen food in the centre of cavity and close the door.

1. Turn the Cooking Power Control knob to DEFROST.
2. Turn the Timer knob to select the appropriate time. The oven light comes on.

**NOTE:** The microwave will run through the time set. An acoustic signal sound when the time expires. You can change the cooking time whenever you like.

## MICROWAVE COOKING



**The following procedure explains how to cook or reheat food. Always check your cooking settings before leaving the oven unattended.** First place the food in the centre of cavity and close the door.

1. Set the power level by turning Cooking Power Control knob 17%, 33%, 55%, 77%, 100%.
2. Set the time by turning Timer knob. The oven light comes on.

## COMBINATION COOKING 1



**20% time for microwave cooking, 80% for grill cooking. Use for fish or au gratin.**

Suppose you want to set combination 1 and cooking for 25 minutes. Open the door and place the food into the oven, close it.

1. Set the power level by turning Cooking Power Control knob to COMB 1.
2. Set the time by turning Timer knob to 25min. The oven light comes on.

## COMBINATION COOKING 2



### **30% time for microwave cooking, 70% for grill cooking. Use for puddings omelettes, baked potatoes and poultry.**

Suppose you want to set combination 2 and cooking for 25 minutes. Open the door and place the food into the oven, close it.

1. Set the power level by turning Cooking Power Control knob COMB 2.
2. Set the time by turning Timer knob to 25min. The oven light comes on.

## COMBINATION COOKING 3



### **40% time for microwave cooking, 60% for grill cooking. Use for puddings omelettes, baked potatoes and poultry.**

Suppose you want to set combination 3 and cooking for 25 minutes. Open the door and place the food into the oven, close it.

1. Set the power level by turning Cooking Power Control knob to COMB 3.
2. Set the time by turning Timer knob to 25min. The oven light comes on.

## GRILL




### **The grill cooking is particularly useful for thin slices of meat, steaks, chops, kebabs, sausages of piece of chicken. It is also suitable for hot sandwiches and an gratin dishes.**


For example, suppose you want to grill for 12 minutes. Open the door and place the food into the oven, close it.

1. Set the power level by turning Cooking Power Control knob to GRILL.
2. Set the time by turning Timer knob to 12min. The oven light comes on.

## SELF CLEAN FUNCTION - AQUACLEAN



For regular cleaning of your oven the following procedure is recommended: rotate the power selection knob to the position .

Put in a glass of water - 200ml - and turn the timer knob to  function. After program has finished, wait 2-3minutes and then remove the glass and wipe the oven with soft cloth.

# CARE OF YOUR MICROWAVE OVEN

1. Turn the oven off and remove the power plug from the wall socket before cleaning.
2. Keep the inside of the oven clean. When food splatters of spilled liquids adhere to oven walls, wipe with a damp cloth. The use of harsh detergent or abrasives is not recommended.
3. The outside oven surface should be cleaned with a damp cloth. To prevent damage to the operating parts inside the oven, water should not be allowed to seep into the ventilation openings.
4. Do not allow the Control Panel to become wet. Clean with a soft, damp cloth. Do not use detergents, abrasives or spray-on cleaners on the control Panel.
5. If steam accumulates inside or around the outside of the oven door, wipe with a soft cloth. This may occur when the microwave oven is operated under high humidity conditions and in no way indicates malfunction of the unit.
6. It is occasionally necessary to remove the glass tray for cleaning. Wash the tray in warm sudsy water or in a dishwasher.
7. The roller ring and oven cavity floor should be cleaned regularly to avoid excessive noise. Simply wipe the bottom surface of the oven with mild detergent, water or window cleaner and dry. The roller ring may be washed in mild sudsy water or dishwasher. Cooking vapours collect during repeated use but in no way affect the bottom surface or roller ring wheels. When removing the roller ring from cavity floor for cleaning, be sure to replace it in the proper position.
8. Remove odors from your oven by combining a cup of water with the juice and skin of one lemon in a deep microwavable bowl. Microwave for 5 minutes, wipe thoroughly and dry with a soft cloth.

## ENVIRONMENT

Do not throw away the appliance with the normal household waste at the end of its life, but hand it in at an official collection point for recycling. By doing this, you help to preserve the environment.

# MOUNTING THE MICROWAVE OVEN

## INSTALLATION

1. Make sure all the packing materials are removed from the inside of the door.
2. Inspect the oven after unpacking for any visual damage such as:
  - Misaligned Door
  - Damaged Door
  - Dents or Holes in Door Window and Screen
  - Dents in Cavity

If any of the above are visible, DO NOT use the oven.

3. This Microwave Oven weighs 11 kg and must be placed on a horizontal surface strong enough to support this weight.
4. The oven must be placed away from high temperature and steam.
5. DO NOT place anything on top of the oven.
6. Keep the oven at least 20 cm away from both sidewalls and 30 cm away from rear wall to ensure the correct ventilation.
7. DO NOT remove the turn -table drive shaft.
8. As with any appliance, close supervision is necessary when used by children.
9. Make sure that the AC outlet is easily accessible so that the plug can be removed quickly in an emergency. Otherwise, it should be possible to disconnect the device using a switch from the circuit. In this case, the existing provisions of the electrical safety standards are considered.

The product has to be correctly installed on earthed socket with a single-phase AC (230 V/50 Hz).

**WARNING! THIS APPLIANCE MUST BE EARTHED!**

10. This oven requires 1.3 KVA for its input consultation with service engineer is suggested when installing the oven.

**CAUTION: This oven is protected internally by a 250V, 8 Amp Fuse.**

## SPECIFICATIONS

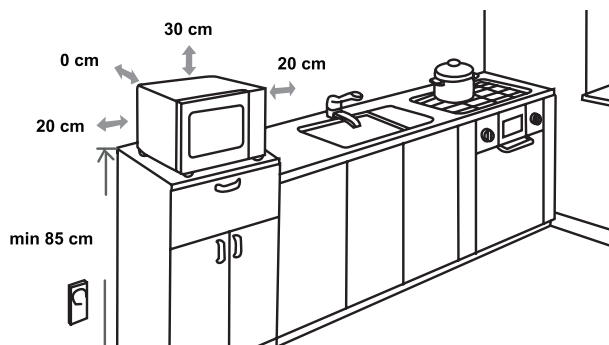
Power consumption.....	220-240V-50Hz, 1280W
Output power .....	800W
Grill heater .....	1000W
Operating Frequency.....	2450MHz
Outside Dimensions.....	455 x 353 x 261 mm
Oven Capacity .....	20 litres
Uncrated Weight .....	Approx. 11 kg
Noise level.....	Lc < 58 dB (A)



**This appliance is marked according to the European directive 2012/19/EU on Waste Electrical and Electronic Equipment (WEEE).**

**This guideline is the frame of a European-wide validity of return and recycling on Waste Electrical and Electronic Equipment.**

## MOUNTING DIMENSIONS



## RADIO INTERFERENCE

Microwave oven may cause interference to your radio, TV, or similar equipment. When interference occurs, it may be eliminated or reduced by the following procedures.

- Clean the door and sealing surface of the oven.
- Place the radio, TV, etc. as far away from your microwave oven as possible.
- Use a properly installed antenna for your radio, TV, etc. to get a strong signal reception.

WE RESERVE THE RIGHT TO MAKE ANY CHANGES THAT DO NOT AFFECT THE FUNCTIONALITY OF THE APPLIANCE.

## BEFORE YOU CALL FOR SERVICE

1. If the oven will not perform at all, the information on the display does not appear or the display disappeared:
  - a) Check to ensure that the oven is plugged in securely. If it is not, remove the plug from the outlet, wait 10 seconds and plug it in again securely.
  - b) Check the premises for a blown circuit fuse or a tripped main circuit breaker. If these seem to be operating properly, test the outlet with another appliance.
2. If the microwave power will not function:
  - a) Check to see whether the timer is set.
  - b) Check to make sure that the door is securely closed to engage the safety interlocks. Otherwise, the microwave energy will not flow into the oven.  
**If none of the above rectify the situation, then contact the nearest authorized service agent.**

**The appliance for household use for heating food and beverages using electromagnetic energy, for indoor use only.**

## GUARANTEE & SERVICE

If you need information or if you have a problem, please contact the Gorenje Customer Care Centre in your country (you find its phone number in the worldwide guarantee leaflet). If there is no Customer Care Centre in your country, go to your local Gorenje dealer or contact the Service department of Gorenje domestic appliances.

### **For personal use only!**

Additional recommendations for cooking with microwave and useful advices can be found on web side:

<http://www.gorenje.com>

**WISHES YOU A LOT OF PLEASURE WHILE USING YOUR APPLIANCE**

# **gorenje**



## SEHR GEEHRTER KUNDE

Wir bedanken uns für das Vertrauen, das Sie uns mit dem Kauf unseres Geräts erwiesen haben. Beim Gebrauch wünschen wir Ihnen viel Vergnügen.

Zum Verpacken unserer Produkte werden umweltfreundliche Materialien verwendet, die ohne Gefahr für die Umwelt wiederverwertet (recycelt), entsorgt oder vernichtet werden können.

Hierzu sind die Verpackungsmaterialien entsprechend gekennzeichnet.



Das Gerät ist ausschließlich zum Gebrauch im Haushalt bestimmt und zwar zum Erhitzen von Speisen und Getränken mit elektromagnetischer Energie. Verwenden Sie das Gerät nur in geschlossenen Räumen.

## BEDIENUNGS- ANLEITUNG

Die Bedienungsanleitung ist für den Benutzer bestimmt. Sie beschreibt das Gerät und seine Bedienung. Sie gilt für verschiedene Gerätetypen, deswegen kann sie auch Beschreibungen von Funktionen beinhalten, die Ihr Gerät nicht besitzt.



Berühren Sie niemals die Oberflächen von Heiz- oder Kochgeräten. Sie werden während des Betriebs heiß. Halten Sie Kinder in einem sicheren Abstand. Es kann die Gefahr von Leckstrahlung!



Mikrowellenenergie & Hochspannung!  
Entfernen Sie keine Abdeckung.

**WARNUNG!** Das Gerät und seine zugänglichen Teile werden im Betrieb heiß. Kontakt mit den Heizelementen sollte unbedingt vermieden werden.

Dieses Gerät kann von Kindern ab 8 Jahren sowie von Personen mit eingeschränkten körperlichen, sensorischen oder geistigen Fähigkeiten bzw. mit mangelnder Erfahrung verwendet werden, wenn sie unter Aufsicht stehen oder in die sichere Benutzung eingewiesen wurden und die damit verbundenen Gefahren verstehen. Kinder sind zu beaufsichtigen und sollten nicht mit dem Gerät spielen. Die Reinigung und Benutzerwartung darf nicht von Kindern ausgeführt werden, es sei denn, sie sind über 8 Jahre alt und stehen dabei unter Aufsicht.

- **HINWEIS:** Wenn das Gerät in der Betriebsart Kombi arbeitet, dürfen Kinder das Gerät wegen der sehr hohen Temperaturen nur unter sorgfältiger Aufsicht erwachsener Personen gebrauchen (gilt nur für Geräte mit Grillfunktion).
- **HINWEIS:** Bei Beschädigung der Gerätetür oder der Türdichtungen darf das Mikrowellengerät so lange nicht benutzt werden, bis es von einem autorisierten Kundendienstfachmann instandgesetzt worden ist.

- **HINWEIS:** Jegliche Reparatur- oder Kundendienstarbeiten, bei welchen die Abdeckung des Geräts entfernt werden muß und die von nicht autorisierten Personen durchgeführt werden, ist gefährlich und riskant.
- **HINWEIS:** Keine Flüssigkeiten oder Nahrungsmittel in dicht verschlossenen Gefäßen oder Verpackungen erhitzen, da diese bersten können.
- Die Gerätefüße nicht entfernen und die Lüftungsöffnungen nicht bedecken.
- Verwenden Sie ausschließlich mikrowellentaugliches Geschirr und Zubehör.
- Beim Erhitzen von Speisen in Kunststoff- oder Papierverpackung bzw.
- Behältern, den Vorgang wegen Brandgefahr beaufsichtigen.
- Bei Auftreten von Rauch den Mikrowellenherd sofort abschalten, das Gerät vom elektrischen Versorgungsnetz trennen und die Gerätetür geschlossen lassen, um eventuelle Flammen zu ersticken.
- Wenn Sie im Mikrowellengerät Getränke erhitzen, kann das Getränk nach einer gewissen Zeit siedend überlaufen, deswegen immer besonders vorsichtig verfahren.
- Um Verbrühungen zu vermeiden, vor dem Verzehr den Inhalt von Babyflaschen oder Babynahrung umrühren oder durchschütteln und die Temperatur des Inhalts überprüfen.
- Im Mikrowellenherd keine rohen oder gekochten Eier in Schale erhitzen, da diese bersten können, auch nachdem das Erhitzen im Mikrowellengerät schon beendet ist.
- Verwenden Sie zum Reinigen der Gerätetür, der

Dichtungen und des Garraumes nur milde (keine abrasiven) Reinigungsmittel und tragen Sie diese mit einem Schwamm oder einem weichen Tuch auf.

- Reinigen Sie den Mikrowellenherd und entfernen Sie etwaige Speisereste regelmäßig.
- Wenn Sie das Mikrowellengerät nicht regelmäßig reinigen und instandhalten, kann es zum Verschleiß der Oberflächen kommen, was sich negativ auf die Lebensdauer des Geräts auswirkt und die Risiken beim Gebrauch erhöht.
- Wenn das Anschlußkabel beschädigt ist, darf dieses nur vom Hersteller, einem autorisierten Kundendienstfachmann oder einem anderen, entsprechend qualifizierten Fachmann ausgetauscht werden, um Gefahren zu vermeiden.
- Darauf achten, dass die Netzsteckdose leicht erreichbar ist, damit der Stecker im Notfall schnell abgezogen werden kann. Andernfalls muss, das Gerät mithilfe eines Schalters vom Stromkreis zu trennen sein. Dabei sollten die geltenden Bestimmungen der elektrischen Sicherheitsnormen berücksichtigt werden.
- Auf keinen Fall versuchen, die Garraumlampe selbst auszuwechseln, sondern nur von einem autorisierten Kundendienst auswechseln lassen!
- Wenn die Garraumlampe ausfallen sollte, wenden Sie sich bitte an Ihren Elektrohändler oder an den GORENJE Werkskundendienst.
- **VORSICHT:** Zur Reinigung dürfen keinesfalls kommerzielle Ofenreiniger, Dampfreiniger, Scheuermittel, scharfe Reinigungsmittel, natriumhydroxid enthaltende Reinigungsmittel oder Scheuerschwämme verwendet werden. Dies gilt für alle Teile des Gerätes. Säubern sie die Mikrowelle in regelmäßigen Abständen.

Im nachfolgenden Text sind einige Regeln und Sicherheitsmaßnahmen aufgeführt, die ähnlich wie beim Gebrauch anderer elektrischer Geräte, eingehalten werden müssen, damit eine sichere und effiziente Funktion des Geräts gewährleistet wird:

1. Sorgen Sie dafür, dass während des Betriebs des Mikrowellenherdes der Glasunterteller, die Verbindungsstück und der Rollenring auf ihren Plätzen sind.
2. Verwenden Sie den Mikrowellenherd nur zum Zubereiten von Speisen und nicht zum Trocknen von Kleiderstücken, Papier oder anderen Gegenständen und auch nicht zum Sterilisieren.
3. Schalten Sie den Mikrowellenherd niemals ein, wenn der Garraum leer ist, da dadurch das Gerät beschädigt werden kann.
4. Bewahren Sie im Garraum keine Gegenstände auf, insbesondere keine Zeitschriften, Kochbücher, u.ä.
5. Garen Sie keine Lebensmittel, die mit einer Membran umgeben sind, wie z.B.: Eigelb, Kartoffeln, Hühnerleber, u.ä., ohne vorher die Membran an mehreren Stellen mit einer Gabel durchgestochen zu haben.
6. Stecken Sie keine Gegenstände in die Öffnungen an den Außenseiten des Mikrowellengeräts hinein.
7. Entfernen Sie niemals Geräteteile, z.B. Gerätefüße, Verriegelung, Schrauben, u.ä.
8. Garen Sie keine Speisen direkt auf dem Drehteller. Bevor Sie das Gargut in den Garraum stellen, legen Sie es in einen entsprechenden Behälter.

**WICHTIG:** Küchenzubehör, welches im Mikrowellenherd nicht verwendet werden darf:

- Metallpfannen oder Kochtöpfe mit Metallgriffen, - Gefäße mit Metallrand,
- Geschirr aus Melamin, da es Stoffe enthält, welche die Mikrowellenenergie absorbieren. Das kann zum Springen oder Verbrennen des Geschirrs führen, außerdem wird der Erhitzungs-/Garvorgang verlangsamt.
- Verwenden Sie kein Geschirr ohne mikrowellengeeignete Beschichtung. Verwenden Sie ebenso keine geschlossenen Tassen mit Griffen.
- Bereiten Sie keine Speisen bzw. Getränke in Gefäßen mit verengter Öffnung (wie z.B. Flaschen) zu, da diese während des Erhitzungsvorgangs bersten kann.
- Verwenden Sie im Mikrowellenherd keine handelsüblichen Thermometer für Fleisch oder Süßspeisen. Sie dürfen nur Thermometer verwenden, die zum Gebrauch im Mikrowellenherd geeignet sind.

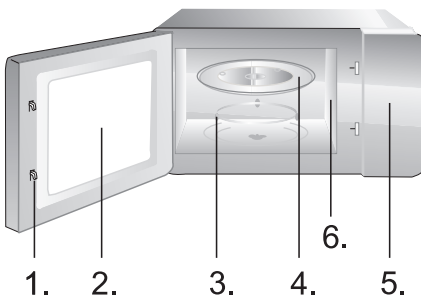
9. Verwenden Sie Zubehör für den Mikrowellenherd nur unter Beachtung der Gebrauchsanweisung des Herstellers.
10. Verwenden Sie den Mikrowellenherd niemals zum Frittieren.
11. Beachten Sie, dass im Mikrowellenherd nur die Flüssigkeit im Gefäß erhitzt wird und nicht das Gefäß selbst. Deswegen ist es möglich, dass die Flüssigkeit nach Entfernung des Deckels im Gefäß Dampf abgibt oder aus diesem Tropfen spritzen, obwohl der Deckel selbst nicht heiß ist.
12. Überprüfen Sie vor dem Verzehr immer die Temperatur der Speise, insbesondere, wenn diese für Kinder bestimmt ist. Wir empfehlen Ihnen, Speisen/Getränke niemals unmittelbar nach dem Herausnehmen aus dem Mikrowellenherd zu verzehren, sondern ein paar Minuten abzuwarten und die Speise/das Getränk umzurühren, damit sich die Hitze gleichmäßig verteilen kann.
13. Lassen Sie Speisen, die Fett und Wasser enthalten, z.B. Suppe, nach dem Abschalten des Mikrowellenherdes ungefähr noch 30 bis 60 Sekunden im Garraum stehen. Dadurch kann sich die Speise stabilisieren und es wird Siedeverzug verhindert, wenn Sie in die Flüssigkeit einen Löffel stellen oder einen Suppenwürfel hinzufügen.
14. Beachten Sie, dass sich einige Speisen, z.B. Weihnachtspudding, Marmelade oder Hackfleisch, sehr schnell erhitzen. Verwenden Sie zum Erhitzen oder Garen von Speisen mit hohem Fett- oder Zuckergehalt keine Kunststoffgefäße.
15. Zubehör, das Sie zur Zubereitung von Speisen im Mikrowellenherd benutzen, kann sich sehr stark erhitzen, da die Speise Wärme abgibt. Das gilt besonders für Gefäße, die mit einem Kunststoffdeckel zugedeckt sind und für Handgriffe aus Kunststoff. Verwenden Sie zum Herausnehmen der Gefäße wärmeisolierende Küchenhandschuhe.
16. Um die Brandgefahr im Garraum zu verringern:
  - a) die Speise nicht übermäßig lang garen.  
Kontrollieren Sie sorgfältig den Erhitzungsvorgang, wenn sich im Garraum Papier-, Kunststoffbehälter oder andere leicht entzündliche bzw. brennbare Materialien befinden.
  - b) Bevor Sie Tüten in den Garraum stellen, zuerst die Drahtklammern (Blitzbinder) entfernen.
  - c) Wenn sich ein Gegenstand im Garraum entzündet, lassen Sie die Gerätetür geschlossen, trennen Sie das Gerät vom elektrischen Versorgungsnetz und schalten Sie die Hauptsicherung in ihrem Sicherungskasten ab.



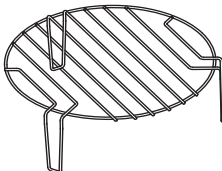
1 - Leistungswahlknebel



2 - Zeitwahlknebel (0 - 35 Minuten)



1. Sicherheitsverriegelung der Gerätetür
2. Sichtfenster
3. Rollenring
4. Glasteller
5. Bedienfeld
6. Wellenführung (bitte die Silikatplatte, welche die Wellenführung überdeckt, nicht abnehmen).



Der Grillrost kann entweder für die Grillfunktion oder für die kombinierte Betriebsart Grill + Mikrowellen eingesetzt werden. Stellen Sie den Grillrost immer auf den Glasteller.

# GEBRAUCHSANWEISUNG

## UNTERBRECHUNG/ WIDERRUF

1. **Zum vorübergehenden Anhalten des Garvorgangs (Unterbrechung):** Öffnen Sie die Gerätetür und der Garvorgang wird angehalten; zum Fortsetzen des Garvorgangs einfach die Tür schließen.
2. **Zum vorzeitigen Beenden des Garvorgangs (Widerruf):** den Zeitwahlknebel auf Position 0 drehen.

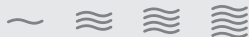
## AUFTAUEN



**Die Auftaufunktion ermöglicht Ihnen das Auftauen von gefrorenem Fleisch, Geflügel und Fisch.** Stellen sie die gefrorenen Lebensmittel auf die Mitte des Drehtellers und schließen Sie die Gerätetür.

1. Drehen Sie den Leistungswahlknebel auf die Position „AUFTAUEN“.
2. Stellen Sie durch Verdrehen des Zeitwahlknebels die gewünschte Betriebszeit ein.

## GAREN/AUFWÄRMEN



**In der Folge erfahren Sie, wie Sie Speisen garen oder aufwärmen. Überprüfen Sie unbedingt die Gareinstellungen, bevor Sie das Gerät unbeaufsichtigt lassen.** Stellen sie das gefrorene Lebensmittel auf die Mitte des Drehtellers und schließen Sie die Gerätetür.

1. Stellen Sie mit dem Leistungswahlknebel die Leistungsstufe ein 17%, 33%, 55%, 77%, 100%.
2. Stellen Sie mit dem Zeitwahlknebel die entsprechende Betriebszeit ein. Die Beleuchtung im Garraum wird eingeschaltet.
3. Sie können während des Garvorgangs durch Drehen des Leistungswahlknebels die Leistungsstufe ändern.

## KOMBIBETRIEB 1



**Der Mikrowellenherd arbeitet 20% der Zeit im Mikrowellenbetrieb und 80% der Zeit im Grillbetrieb. Diese Betriebsart ist zur Zubereitung von Fisch oder gratinierten Speisen geeignet.** Wenn Sie den Kombibetrieb auf z.B. 25 Minuten einstellen möchten, tun Sie Folgendes:

1. Öffnen Sie die Gerätetür und stellen Sie die Speise auf den Rost. Schließen Sie die Gerätetür.
2. Drehen Sie den Knebel auf die Position „KOMBIBETRIEB 1“.
3. Stellen Sie mit dem Zeitwahlknebel die entsprechende Betriebszeit ein (25 Min.). Die Beleuchtung im Garraum wird eingeschaltet.



## KOMBIBETRIEB 2



**Der Mikrowellenherd arbeitet 30% der Zeit im Mikrowellenbetrieb und 70% der Zeit im Grillbetrieb. Diese Betriebsart ist zur Zubereitung von Pudding, Aufläufen, Omeletten, Bratkartoffeln und Geflügel geeignet.** Wenn Sie den Kombibetrieb auf z.B. 25 Minuten einstellen möchten, tun Sie Folgendes:

1. Öffnen Sie die Gerätetür und stellen Sie die Speise auf den Rost. Schließen Sie die Gerätetür.
2. Drehen Sie den Knebel auf die Position „KOMBIBETRIEB 2“.
3. Stellen Sie mit dem Zeitwahlknebel die entsprechende Betriebszeit ein (25 Min.). Die Beleuchtung im Garraum wird eingeschaltet.

## KOMBIBETRIEB 3



**Der Mikrowellenherd arbeitet 60% der Zeit im Mikrowellenbetrieb und 40% der Zeit im Grillbetrieb. Diese Betriebsart ist zur Zubereitung von Pudding, Aufläufen, Omeletten, Bratkartoffeln und Geflügel geeignet.** Wenn Sie den Kombibetrieb auf z.B. 25 Minuten einstellen möchten, tun Sie Folgendes:

1. Öffnen Sie die Gerätetür und stellen Sie die Speise auf den Rost. Schließen Sie die Gerätetür.
2. Drehen Sie den Knebel auf die Position „KOMBIBETRIEB 3“.
3. Stellen Sie mit dem Zeitwahlknebel die entsprechende Betriebszeit ein (25 Min.). Die Beleuchtung im Garraum wird eingeschaltet.

## GRILL





**Die Grillfunktion ist besonders gut zur Zubereitung von dünnen Fleischstücken, Schnitzeln, Koteletts, Spießen, Würsten oder Hühnchenteilen geeignet. Die Grillfunktion ist auch zur Zubereitung von warmen Sandwichs und gratinierten Speisen geeignet.** Beispiel: Sie möchten eine Speise 12 Minuten lang grillen:

1. Öffnen Sie die Gerätetür und stellen Sie die Speise auf den Rost. Schließen Sie die Gerätetür.
2. Drehen Sie den Knebel auf die Position „Grill“.
3. Stellen Sie mit dem Zeitwahlknebel die entsprechende Betriebszeit ein. Die Beleuchtung im Garraum wird eingeschaltet.

## SELBSTREINIGUNG - AQUACLEAN



Zum regelmäßigen Reinigen des Backofens empfehlen wir folgende Vorgehensweise: Drehen Sie den Leistungswahlknebel auf die Position . Gießen Sie 200 ml Wasser in ein Glas, stellen Sie das Glas in den Garraum und drehen Sie den Zeitwahlknebel auf die Position . Entfernen Sie das Glas und den Glasteller nach Beendigung der Funktion aus dem Garraum und wischen Sie das Geräteinnere mit einem sauberen Lappen trocken.

1. Bevor Sie mit der Reinigung des Mikrowellenherdes beginnen, trennen Sie das Gerät vom elektrischen Versorgungsnetz.
2. Der Garraum sollte immer sauber gehalten werden. Wischen Sie getrocknete Speisereste, herausgespritzte oder verschüttete Flüssigkeiten mit einem feuchten Tuch von den Innenwänden ab. Die Verwendung von groben Reinigungs- oder abrasiven Scheuermitteln ist nicht empfehlenswert.
3. Wischen Sie die Außenflächen des Geräts mit einem feuchten Tuch ab. Um Beschädigungen im Garraums des Geräts zu vermeiden, lassen Sie kein Wasser oder andere Flüssigkeiten in das Geräteinnere oder in die Lüftungsöffnungen eindringen.
4. Lassen Sie das Bedienfeld nicht naß werden. Reinigen Sie das Bedienfeld mit einem weichen und feuchten Tuch. Verwenden Sie zum Reinigen des Bedienfeldes keine groben (abrasiven) Reinigungsmittel oder Reinigungsmittel in Spraydosen.
5. Bei Niederschlag von Wasserdampf an der Innen- bzw. Außenseite der Gerätetür, wischen Sie diese mit einem weichen Tuch ab. Diese Erscheinung ist möglich, wenn der Mikrowellenherd in einer sehr feuchten Umgebung betrieben wird und bedeutet nicht, dass das Gerät eine Betriebsstörung hat.
6. Von Zeit zu Zeit ist es notwendig, den Glasunterteller herauszunehmen und zu reinigen. Reinigen Sie den Drehteller in warmem Wasser mit etwas Geschirrspülmittel oder in der Geschirrspülmaschine.
7. Der Rollenring und der Geräteboden des Garraums müssen regelmäßig gereinigt werden, um Lärmentwicklung während des Betriebs zu vermeiden. Wischen Sie den Geräteboden im Garraum einfach mit einem milden Spülmittel, Wasser oder einem Glasreiniger ab und reiben Sie dann alles mit einem sauberen und trockenen Tuch trocken. Sie können den Rollenring in warmem Wasser mit etwas Spülmittel oder in der Geschirrspülmaschine reinigen. Nach längerer Benutzung können sich auf den Rädern des Rollenringes Dämpfe von Speisen ansammeln, was ihre Funktion jedoch nicht beeinflusst. Wenn Sie den Rollenring aus der Vertiefung im Garraum entfernt haben, passen Sie auf, dass Sie diesen später richtig einsetzen.

8. Eventuelle unangenehme Gerüche im Garraum können Sie entfernen, indem Sie ein hohes mikrowellengeeignetes Gefäß mit Zitronensaft und Zitronenschalen in das Geräteinnere hineinstellen. Stellen Sie das Gefäß für 5 Minuten in den Garraum und schalten Sie das Gerät ein. Wischen Sie nach Beendigung der eingestellten Zeit den Garraum mit einem weichen Tuch ab und reiben Sie ihn trocken.

---

## UMWELTSCHUTZ

Werfen Sie das Gerät am Ende der Lebensdauer nicht in den normalen Hausmüll. Bringen Sie es zum Recycling zu einer offiziellen Sammelstelle. Auf diese Weise helfen Sie, die Umwelt zu schonen.

# MONTAGE DER MIKROWELLENGERÄT

## AUFSTELLUNG

1. Überprüfen Sie, ob das komplette Verpackungsmaterial aus dem Geräteinneren entfernt wurde.
2. Überprüfen Sie beim Entfernen der Verpackung, ob es am Mikrowellengerät zu sichtbaren Beschädigungen gekommen ist, wie z.B.:
  - schief hängende Gerätetür,
  - beschädigte Gerätetür,
  - Dellen oder Löcher im Glas (Sichtfenster), an der Gerätetür oder am Display,
  - Dellen im Geräteinneren.Wenn Sie irgendeinen der oben genannten Schäden bemerken, dürfen Sie den Mikrowellenherd nicht benutzen.
3. Der Mikrowellenherd wiegt 11 kg; stellen Sie ihn auf eine waagrechte Unterlage, die genügend stabil ist, um sein Gewicht auszuhalten.
4. Den Mikrowellenherd in ausreichender Entfernung von Wärmequellen und Wasserdampf aufstellen.
5. Keine Gegenstände auf dem Mikrowellenherd aufbewahren.
6. Um eine ausreichende Belüftung zu gewährleisten, sollte an den Seiten des Mikrowellenherdes mindestens 20 cm und über dem Gerät 30cm freier Raum zur Verfügung stehen.
7. Die Antriebswelle des Drehgestells NICHT entfernen.
8. Kinder dürfen den Mikrowellenherd nur unter Aufsicht Erwachsener benutzen.
9. Die Steckdose, an welche der Mikrowellenherd angeschlossen ist, muß leicht zugänglich sein. Das Gerät an einer korrekt installierten geerdeten Steckdose mit einem einphasigen Wechselstromanschluss (230 V/50 Hz) verbinden. **WARNUNG! DIESES GERÄT MUSS GEERDET SEIN!** Bei Nichteinhaltung lehnt der Hersteller jegliche Haftung ab.
10. Der Mikrowellenherd benötigt 1,3 kVA Eingangsleistung. Wir empfehlen Ihnen, sich über die Aufstellung des Mikrowellenherdes mit einem Kundendienst-Fachmann oder einem entsprechendem anderen Fachmann zu beraten.

**ACHTUNG: Der Mikrowellenherd verfügt über eine eigene Schutzeinrichtung und zwar über eine Sicherung 250V, 8A.**

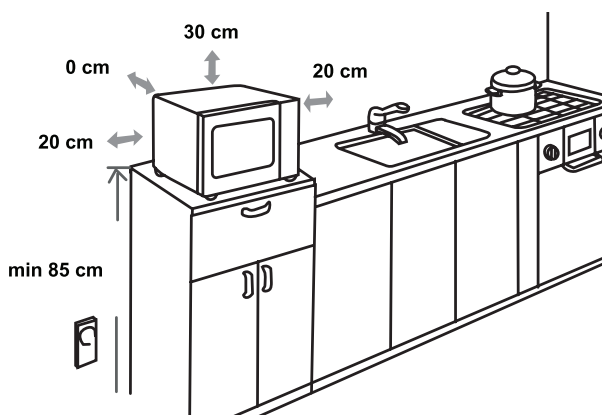
## TECHNISCHE DATEN

Stromaufnahme .....	220-240V-50Hz, 1280W
Ausgangsleistung.....	800W
Grillheizkörper .....	1000W
Betriebsfrequenz.....	2450MHz
Außenmaße.....	455 x 353 x 261 mm
Volumen.....	20 l
Masse ohne Verpackungsmaterial.....	C.a. 11 kg
Schallpegel - niveau .....	Lc < 58 dB (A)



**Dieses Gerät ist entsprechend der europäischen Richtlinie 2012/19/EU über Elektro- und Elektronikaltgeräte (waste electrical and electronic equipment - WEEE) gekennzeichnet. Die Richtlinie gibt den Rahmen für eine EU-weit gültige Rücknahme und Verwertung der Altgeräte vor.**

## EINBAU DES MIKROWELLENGERÄT



## FUNKSTÖRUNGEN (INTERFERENZEN)

Der Mikrowellenherd kann Empfangsstörungen bei Rundfunk-, Fernseh- und anderen Geräten verursachen. Wenn es zu Störungen kommen sollte (Interferenzen), können Sie diese mit folgenden Maßnahmen beseitigen oder vermindern:

- Reinigen Sie die Gerätetür und die Dichtungen am Mikrowellenherd.
- Stellen Sie Ihr Rundfunk- oder Fernsehgerät so weit wie möglich vom Mikrowellenherd auf.
- Verwenden Sie für Ihr Rundfunk- bzw. Fernsehgerät eine entsprechend montierte Antenne, die den bestmöglichen Empfang gewährleistet.

WIR BEHALTEN UNS DAS RECHT ZU ÄNDERUNGEN VOR, DIE AUF DIE FUNKTIONALITÄT DES GERÄTS KEINEN EINFLUSS NEHMEN.

## BEVOR SIE DEN KUNDENDIENST ANRUFEN

1. Wenn der Mikrowellenherd überhaupt nicht funktioniert, wenn auf dem Display kein Text sichtbar ist oder wenn das Display erlischt:
  - a) Überprüfen Sie, ob der Mikrowellenherd fachgerecht an das elektrische Versorgungsnetz angeschlossen ist. Wenn nicht, ziehen Sie den Stecker aus der Steckdose, warten Sie 10 Sekunden und stecken Sie den Stecker wieder in die Steckdose.
  - b) Überprüfen Sie, ob die Sicherung durchgebrannt bzw. ob der Stromkreis an der Hauptsicherung unterbrochen ist. Wenn an den Sicherungen keine Störungen sichtbar sind, testen Sie die Steckdose mit einem anderen elektrischen Gerät.
2. Wenn der Mikrowellenherd nicht heizt, d.h. wenn er keine Mikrowellenenergie abgibt:
  - a) Überprüfen Sie, ob die Zeitschaltuhr richtig eingestellt ist.
  - b) Überprüfen Sie, ob die Gerätetür fest geschlossen und die Sicherheitsverriegelung eingeschnappt ist. Wenn das nicht der Fall ist, wird die Mikrowellenenergie nicht freigesetzt.

## GARANTIE UND KUNDENDIENST

Benötigen Sie weitere Informationen oder treten Probleme auf, setzen Sie sich mit einem Gorenje Service-Center in Ihrem Land in Verbindung (Telefonnummer siehe internationale Garantieschrift). Sollte es in Ihrem Land kein Service-Center geben, wenden Sie sich bitte an Ihren Gorenje Händler.

### **Nur zum eigenen Gebrauch!**

Zusätzliche Informationen bezüglich zum Braten mit Mikrowellen und Grill sowie nützliche Hinweise und Empfehlungen finden Sie auf unserer Homepage:

<http://www.gorenje.de>

**WIR WÜNSCHEN IHNEN VIEL FREUDE MIT IHREM NEUEN MIKROWELLENHERD!**

# gorenje

**CHÈRE CLIENTE**

Nous vous remercions vivement d'avoir acheté un appareil de notre marque et vous félicitons de votre choix.

Pour vous faciliter l'utilisation de votre nouvel appareil, nous avons rédigé une notice détaillée ; elle vous aidera à vous familiariser avec lui. Nous vous recommandons de la lire attentivement avant de mettre votre appareil en service.

Vérifiez d'abord que votre appareil est arrivé en bon état. En cas de dommages dus au transport, veuillez contacter immédiatement votre détaillant. Vous trouverez son numéro de téléphone sur la facture ou le bon de livraison qui vous a été remis lors de l'achat.

Nous vous souhaitons de prendre beaucoup de plaisir à cuisiner avec votre nouvel appareil.



Cet appareil est destiné à un usage domestique pour le réchauffage, la cuisson et la décongélation des aliments et des boissons au moyen d'ondes électromagnétiques. Il ne doit pas être utilisé en plein air.

**NOTICE D'UTILISATION**

Cette notice est destinée à l'utilisateur. Elle décrit l'appareil et la manière de s'en servir. Ce manuel est rédigé pour différents modèles et il est donc possible qu'il décrive des fonctions dont votre appareil ne dispose pas.

## CONSIGNES DE SÉCURITÉ IMPORTANTES



Ne touchez jamais les éléments chauffants des appareils de cuisson. Ils deviennent chauds pendant le fonctionnement. Tenez les enfants à distance de sécurité. Il existe un risque de brûlure!



Énergie micro-ondes et haute tension ! Ne retirez pas le panneau de protection contre l'exposition aux micro-ondes.

**ATTENTION:** Les enfants à partir de 8 ans et les personnes disposant de capacités physiques, sensorielles ou mentales réduites, ou manquant d'expérience et de connaissances, peuvent utiliser cet appareil sous surveillance, à condition d'avoir reçu des instructions sur la manière de s'en servir en toute sécurité et d'avoir compris les risques auxquels ils s'exposent. Les enfants ne doivent pas jouer avec l'appareil ni procéder sans surveillance à son nettoyage et à son entretien.

L'appareil et ses éléments accessibles deviennent chauds durant l'utilisation. Faites bien attention à ne pas toucher les résistances. Maintenez les enfants de moins de 8 ans à l'écart de l'appareil, sauf si vous les surveillez en permanence.

- **ATTENTION :** lorsque l'appareil fonctionne en mode combiné, les enfants ne devraient s'en servir que sous la surveillance d'un adulte en raison de la température élevée générée par le gril. (Cette consigne s'applique seulement aux modèles disposant de la fonction gril).



- **ATTENTION :** si la porte ou le joint de la porte sont endommagés, n'utilisez pas l'appareil tant qu'il n'a pas été réparé par un technicien compétent.
- **ATTENTION :** il est dangereux pour toute autre personne qu'un technicien de procéder à des réparations impliquant la dépose d'un panneau de protection contre l'exposition aux micro-ondes.
- **ATTENTION :** il ne faut pas chauffer les liquides et autres aliments dans des récipients fermés hermétiquement, car ces derniers risquent d'exploser.
- N'enlevez pas les pieds de l'appareil et n'obstruez pas les fentes d'aération.
- Utilisez exclusivement une batterie de cuisine et des ustensiles compatibles avec un four à micro-ondes.
- Lorsque vous réchauffez des aliments dans des barquettes en plastique ou en papier, gardez un œil sur le four pour pouvoir agir à temps au cas où le récipient s'enflammerait.
- Si vous voyez de la fumée, mettez le four à l'arrêt, débranchez-le et laissez la porte fermée afin d'étouffer les flammes éventuelles.
- Le réchauffage des boissons aux micro-ondes peut entraîner une ébullition différée. Veillez à manipuler les récipients avec précaution.
- Afin d'éviter tout risque de brûlure, agitez les biberons, remuez le contenu des petits pots pour bébés et testez la température avant consommation.
- Ne faites pas cuire d'œufs durs ou à la coque aux micro-ondes, car ils peuvent éclater, même lorsque le temps de cuisson s'est écoulé.
- Lorsque vous nettoyez la porte, le joint de la porte et l'intérieur du four, utilisez exclusivement des détergents

légers non abrasifs que vous déposerez sur une éponge ou un chiffon doux.

- Il faut nettoyer le four régulièrement et retirer sans attendre tout résidu alimentaire.
- Le manque d'entretien pourrait conduire à une détérioration des surfaces, ce qui pourrait affecter la durée de vie de l'appareil et entraîner certains risques.
- Si le cordon secteur est endommagé, il faut le faire remplacer – afin d'éviter tout danger – par un technicien du Service Après- Vente ou par un professionnel qualifié.
- Ne nettoyez jamais la table de cuisson avec un appareil à vapeur ou à haute pression : vous vous exposeriez à un risque de choc électrique.
- L'appareil n'est pas prévu pour être commandé par un minuteur externe ou une télécommande séparée.

## CONSIGNES GÉNÉRALES DE SÉCURITÉ

Vous trouverez ci-dessous un certain nombre de règles à suivre, comme pour tous les appareils. Elles vous permettront d'utiliser ce four en toute sécurité et d'obtenir des performances maximales.

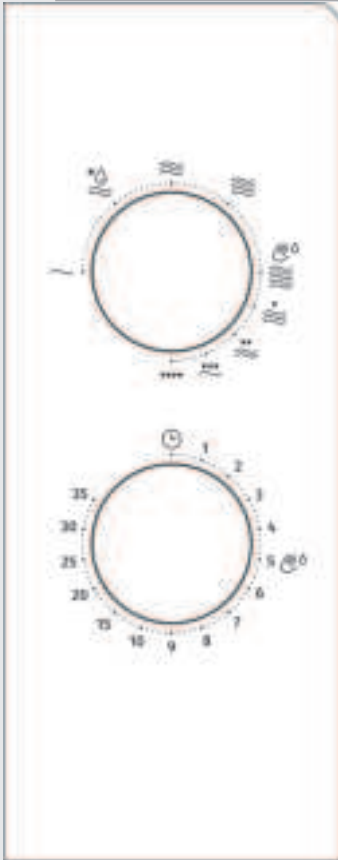
1. Lorsque vous servez du four, veillez à ce que le plateau tournant, la couronne à roulettes et l'entraîneur soient bien en place.
2. Utilisez le four exclusivement pour la préparation des aliments. N'y séchez pas de linge, du papier, ou autre chose que des produits alimentaires. N'y stérilisez pas les conserves.
3. Ne faites pas fonctionner le four à vide, cela pourrait l'endommager.
4. N'utilisez pas la cavité du four comme espace de rangement pour des papiers, des livres de cuisine, ou autres objets.
5. Ne faites pas cuire d'aliments recouverts d'une membrane ou d'une peau sans l'avoir perforée au préalable avec une fourchette : jaunes d'œufs, foies de volaille, pommes de terre, etc.
6. N'insérez aucun objet dans les orifices de la carrosserie.
7. Ne démontez jamais le four, et ne retirez pas les pieds, l'axe d'entraînement, les vis, etc.
8. Ne posez pas les aliments à cuire directement sur le plateau en verre. Placez-les dans des récipients adéquats avant de les enfourner.

### **IMPORTANT - USTENSILES DE CUISINE À NE PAS UTILISER DANS VOTRE FOUR À MICRO- ONDES :**

- N'utilisez pas de plats en métal ou comportant des poignées en métal.
  - N'utilisez aucun récipient avec garniture en métal.
  - N'utilisez pas d'assiette en mélamine, car cette matière absorbe l'énergie des micro-ondes. Cela ralentirait la cuisson et l'assiette pourrait se fêler ou se carboniser.
  - Ne faites rien chauffer dans des bouteilles à goulot étroit, comme par exemple les bouteilles de boissons gazeuses ou de sauces à salade, car elles pourraient éclater dans le four à micro-ondes.
  - Si vous avez besoin d'utiliser un thermomètre à viande ou à sucre, choisissez-en un qui soit spécialement destiné aux micro-ondes. Ces thermomètres sont disponibles dans le commerce.
9. Utilisez les ustensiles spéciaux pour micro-ondes selon les recommandations du fabricant.
  10. Ne faites pas de fritures dans ce four.

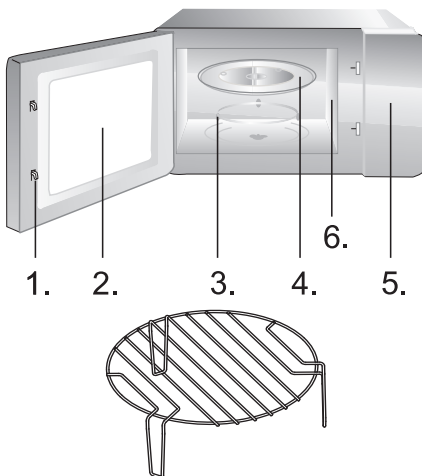
11. Souvenez-vous que dans un four à micro-ondes, le contenu du récipient chauffe plus vite que le récipient lui-même. Par conséquent, même si le couvercle ne vous semble pas très chaud au toucher, le liquide ou les aliments qui sont à l'intérieur dégagent la même quantité de vapeur qu'en cuisson conventionnelle ; soyez prudent lorsque vous enlevez le couvercle.
12. Lorsque vous réchauffez un biberon ou des aliments pour bébé, testez vous-même la température avant de nourrir l'enfant. De plus, il est conseillé de ne pas consommer immédiatement les aliments ou les boissons que l'on vient de retirer du four à micro-ondes ; laissez-les reposer quelques minutes et mélangez-les pour répartir la chaleur de façon homogène.
13. Les aliments contenant à la fois de l'eau et de la graisse (par exemple bouillon cube) doivent rester 30 à 60 secondes au four après l'arrêt de l'appareil. Cela permet au mélange de se stabiliser et évite les bouillonnements lorsqu'on y trempe une cuillère ou qu'on y ajoute un bouillon cube.
14. Pour vos préparations liquides et solides, souvenez-vous que certains aliments (par exemple pudding de Noël, confiture, viande hachée) chauffent très vite. Lorsque vous faites cuire ou réchauffer des aliments contenant beaucoup de sucre ou de matière grasse, n'utilisez pas de contenant en plastique.
15. Les récipients peuvent être brûlants en raison de la chaleur transmise par les aliments qui cuisent. Cela est flagrant si vous recouvrez le plat et les poignées avec un film en plastique. N'oubliez pas de mettre des gants de cuisine quand vous manipulez vos récipients.
16. Pour éviter que vos préparations et récipients prennent feu dans le four:
  - a) ne prolongez pas inutilement la cuisson. Surveillez le four tant que des matières inflammables (papier, plastique) sont à l'intérieur ;
  - b) avant d'enfourner des aliments sous sachets en plastique, retirez les liens qui les ferment si ces derniers comportent des fils métalliques.
  - c) Si le feu se déclare à l'intérieur du four, laissez la porte fermée, débranchez l'appareil ou mettez-le hors tension en désarmant le disjoncteur ou en enlevant le fusible sur le tableau électrique.

# BANDEAU DE COMMANDES ÉLECTRONIQUE



1 - Sélecteur de puissance

2 - Minuteur (0 à 35 minutes)



1. Verrouillage de sécurité de la porte
2. Hublot
3. Couronne à roulettes
4. Plateau tournant en verre
5. Bandeau de commandes
6. Répartiteur d'ondes (n'enlevez pas la plaque en mica recouvrant le répartiteur).

Trépied (uniquement pour la cuisson au grill ou la cuisson combinée ; doit toujours être placé sur le plateau tournant)

# FONCTIONNEMENT

## ARRÊT DE LA CUISSON

1. **Pour interrompre temporairement la cuisson, ouvrez la porte. Résultat : la cuisson s'arrête. Pour la poursuivre, refermez la porte.**
2. **Pour arrêter définitivement la cuisson, tournez le minuteur sur »0«.**

## DÉCONGÉLATION

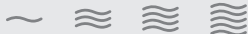


**La fonction Décongélation permet de décongeler la viande, la volaille et le poisson.** Placez tout d'abord les aliments surgelés au milieu du four et fermez la porte.

1. Tournez le sélecteur de puissance sur DÉCONGÉLATION.
2. Tournez le minuteur sur la durée convenable. L'éclairage intérieur du four s'allume.

**NOTE :** le four à micro-ondes fonctionne jusqu'à l'expiration du temps réglé, puis un signal sonore retentit. Vous pouvez modifier le temps de cuisson à votre convenance

## CUISSON AUX MICROONDES



**La procédure ci-dessous vous indique comment cuire ou réchauffer les aliments. Vérifiez toujours vos réglages avant de laisser le four sans surveillance.** Placez tout d'abord les aliments au milieu du four et fermez la porte.

1. Réglez la puissance en tournant le sélecteur de puissance 17%, 33%, 55%, 77%, 100%.
2. Réglez la durée de cuisson en tournant le minuteur. L'éclairage intérieur du four s'allume.

## CUISSON COMBINÉE 1



**20% du temps aux micro-ondes, 80% au gril. Convient aux poissons et gratins.** Supposons que vous vouliez utiliser le mode Cuisson combinée 1 pendant 25 minutes. Ouvrez la porte et mettez votre plat au four puis refermez la porte.

1. Réglez la puissance en tournant le sélecteur sur COMB 1.
2. Réglez la durée de cuisson en tournant le minuteur sur 25 min. L'éclairage intérieur du four s'allume.

## CUISSON COMBINÉE 2



**30% du temps aux micro-ondes, 70% au grill. Convient aux crèmes-desserts, soufflés, pommes de terre et volailles.**

Supposons que vous vouliez utiliser le mode Cuisson combinée 2 pendant 25 minutes. Ouvrez la porte et mettez votre plat au four puis refermez la porte.

1. Réglez la puissance en tournant le sélecteur sur COMB 2.
2. Réglez la durée de cuisson en tournant le minuteur sur 25 min. L'éclairage intérieur du four s'allume.

## CUISSON COMBINÉE 3



**40% du temps aux micro-ondes, 60% au grill. Convient aux flans, pommes de terre et volailles.**

Supposons que vous vouliez utiliser le mode Cuisson combinée 3 pendant 25 minutes. Ouvrez la porte et mettez votre plat au four puis refermez la porte.

1. Réglez la puissance en tournant le sélecteur sur COMB 3.
2. Réglez la durée de cuisson en tournant le minuteur sur 25 min. L'éclairage intérieur du four s'allume.

## GRIL




**La cuisson au grill est particulièrement utile pour la viande en tranches (steak, côtelettes, escalopes), les brochettes, saucisses et morceaux de poulet. Elle convient aussi aux sandwichs chauds et gratins.**


Supposons par exemple que vous vouliez utiliser le mode Gril pendant 12 minutes. Ouvrez la porte et placez les aliments dans le four puis refermez la porte.

1. Réglez la puissance en tournant le sélecteur sur GRIL.
2. Réglez la durée de cuisson en tournant le minuteur sur 12 min. L'éclairage intérieur du four s'allume.

## AUTONETTOYAGE - AQUACLEAN



Pour les nettoyages quotidiens, nous vous recommandons la procédure suivante : tournez le sélecteur de puissance sur la position .

Placez sur le plateau tournant un verre rempli de 200 ml d'eau et tournez le minuteur sur . Au bout de 5 minutes, enlevez le verre et essuyez le four avec un torchon sec.

1. Avant de procéder au nettoyage, mettez le four à l'arrêt et débranchez-le.
2. Maintenez l'intérieur du four en bon état de propreté. Si des éclaboussures adhèrent aux parois, enlevez-les avec une éponge humide. Les détergents agressifs ou abrasifs ne sont pas recommandés.
3. Nettoyez la carrosserie avec une éponge humide. Veillez à ne pas laisser couler d'eau dans les fentes d'aération afin de ne pas endommager les composants du four.
4. Veillez à ce que le bandeau de commandes reste toujours sec. Essuyez-le avec un chiffon doux et humide. N'utilisez pas de détergents, de produits abrasifs ni d'aérosol pour nettoyer le bandeau de commande.
5. Si de la buée s'accumule sur la face interne de la porte ou à sa périphérie, à l'extérieur, essuyez-la avec un chiffon doux. Ce phénomène peut se produire lorsque le four à micro-ondes fonctionne dans des conditions d'humidité élevée ; cela n'indique nullement un dysfonctionnement de l'appareil.
6. Il est quelquefois nécessaire de retirer le plateau tournant pour le nettoyer. Vous pouvez le laver à l'eau chaude savonneuse ou dans votre lave-vaisselle.
7. La couronne à roulettes et le bas de la cavité doivent être entretenus régulièrement pour éviter tout bruit excessif. Nettoyez simplement le bas du four avec de l'eau et un détergent léger ou avec un produit pour les vitres, puis séchez soigneusement. Vous pouvez laver la couronne à roulettes à l'eau tiède savonneuse ou dans votre lave-vaisselle. Les vapeurs de cuisson qui se condensent au cours d'utilisations répétées ne dégradent nullement les surfaces en bas du four ni les roulettes de la couronne. Si vous enlevez la couronne à roulettes au cours du nettoyage, veillez à la remettre en place dans sa position initiale.
8. Pour éliminer les odeurs désagréables, placez dans le four un bol rempli d'eau additionnée d'un jus de citron et de sa peau. Faites fonctionner le four 5 minutes en mode micro-ondes, puis passez l'éponge et essuyez soigneusement avec un torchon sec.

### ENVIRONNEMENT

Lorsqu'il ne fonctionnera plus, ne jetez pas l'appareil avec les ordures ménagères, mais déposez-le à un endroit assigné à cet effet, où il pourra être recyclé. Vous contribuerez ainsi à la protection de l'environnement.



## INSTALLATION

1. Veillez à retirer tous les matériaux d'emballage qui se trouvent à l'intérieur du four.
2. Après avoir déballé l'appareil, vérifiez s'il est en bon état, en portant une attention particulière aux points suivants:
  - Porte mal alignée
  - Porte endommagée
  - Entailles ou trous sur le hublot ou l'afficheur
  - Bosses ou trous dans la cavitéSi vous remarquez l'un des défauts ci-dessus, N'UTILISEZ PAS le four.
3. Ce four à micro-ondes pèse 11 kg et doit être installé à l'horizontale sur une surface suffisamment solide pour supporter son poids.
4. Il doit rester à distance des sources de chaleur élevée et des dégagements de vapeur.
5. NE METTEZ RIEN sur le dessus du four.
6. Laissez un espace libre d'au moins 20 cm de chaque côté du four et de 30 cm à l'arrière afin d'assurer une ventilation correcte.
7. N'ENLEVEZ PAS l'axe d'entraînement du plateau tournant.
8. Surveillez les enfants lorsqu'ils utilisent l'appareil.
9. L'emplacement de la prise murale doit être adapté à la longueur du cordon secteur.
10. La puissance du four est de 1,3 kilovoltampère. Nous vous suggérons de consulter un électricien avant d'installer l'appareil.

**ATTENTION : pour sa sécurité, le four est muni d'un fusible de 250 Volts, 8 Ampères.**

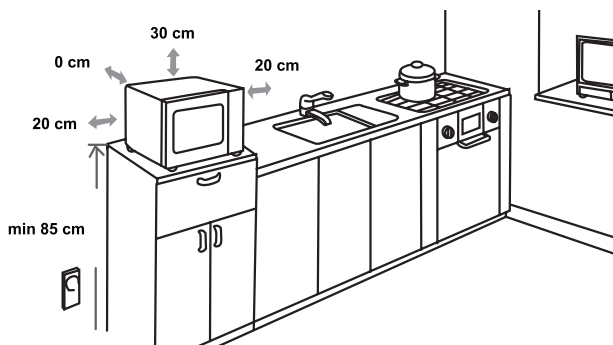
## CARACTÉRISTIQUES TECHNIQUES

Raccordement électrique.....	220-240V-50Hz, 1280W
Puissance des micro-ondes .....	800W
Puissance du gril.....	1000W
Fréquence.....	2450MHz
Dimensions de l'appareil.....	455 x 353 x 261 mm
Volume du four.....	20 litres
Poids net.....	environ 11 kg
Niveau de bruit.....	Lc < 58 dB (A)



**Cet appareil est pourvu du marquage conforme à la directive 2012/19/EU relative aux déchets des équipements électriques et électroniques (DEEE). Cette directive est applicable dans les pays de la CE et définit le cadre pour la reprise et le recyclage des appareils électroménagers en fin de vie utile.**

## DIMENSIONS D'ENCASTREMENT



## INTERFÉRENCES RADIO

Votre four à micro-ondes peut générer des interférences avec votre récepteur radio, votre téléviseur, ou d'autres appareils similaires. Pour les éliminer ou les réduire, prenez les mesures suivantes.

- Nettoyez la porte et son joint d'étanchéité
- Placez la radio, la TV, etc. aussi loin que possible du four.
- Installez une antenne convenable pour votre récepteur radio ou TV afin d'améliorer la réception du signal.

NOUS NOUS RÉSERVONS LE DROIT DE PROCÉDER À DES MODIFICATIONS QUI N'ONT PAS D'INCIDENCE SUR LE FONCTIONNEMENT DE L'APPAREIL.

## AVANT DE CONTACTER LE SERVICE APRÈS-VENTE

1. Si le four ne fonctionne pas du tout, l'afficheur ne s'allume pas ou s'éteint.
  - a) Vérifiez si l'appareil est branché correctement.  
Si ce n'est pas le cas, retirez la fiche de la prise secteur, attendez 10 secondes et rebranchez le four convenablement.
  - b) Vérifiez si le fusible n'a pas sauté ou si le disjoncteur n'a pas disjoncté. S'ils fonctionnent normalement, testez la prise murale en y raccordant un autre appareil.
2. Si le four ne fonctionne pas en mode micro-ondes:
  - a) Vérifiez si la durée de cuisson a été réglée.
  - b) Vérifiez si la porte est bien fermée et si le verrouillage est enclenché. Dans le cas contraire, le flux des micro-ondes ne peut pas parvenir dans le four.

**Si le four ne fonctionne toujours pas une fois que les vérifications ci-dessus ont été effectuées, contactez le service après-vente.**

**Cet appareil ménager destiné à la cuisson des aliments et des boissons fonctionne avec des ondes électromagnétiques et doit être utilisé exclusivement à l'intérieur.**

## GARANTIE ET SERVICE

Si vous souhaitez obtenir des informations supplémentaires ou si vous rencontrez un problème, contactez le Service Consommateurs Gorenje de votre pays (vous trouverez le numéro de téléphone correspondant sur le dépliant de garantie internationale). S'il n'existe pas de Service Consommateurs Gorenje dans votre pays, renseignez-vous auprès de votre revendeur Gorenje local ou contactez le « Service Department of Gorenje Domestic Appliances ».

### **Réservé à une utilisation domestique!**

Vous trouverez des informations complémentaires et des conseils utiles sur la cuisson aux micro-ondes et au gril sur notre site Internet:

<http://www.gorenje.fr>

**NOUS VOUS SOUHAITONS BEAUCOUP DE PLAISIR LORS DE L'UTILISATION DE VOTRE APPAREIL**

**gorenje**

## VÁŽENÝ ZÁKAZNÍKU

Upřímně vám děkujeme za zakoupení našeho výrobku. Přesvědčte se sám o tom, že se na naše výrobky můžete spolehnout. Pro jednodušší použití výrobku přikládáme obsáhlý návod, který vám pomůže v tom, abyste se co nejrychleji seznámili s vaším novým spotřebičem.

Návod k použití by vám měl pomoci se rychle seznámit s vaším novým spotřebičem. Přečtěte si jej, prosím, velice pečlivě ještě předtím, než začnete zařízení používat.

V každém případě se nejprve ujistěte, že je dodaný spotřebič v pořádku a není poškozen. Pokud byste našli jakékoli vady, kontaktujte svého dodavatele. Telefonní číslo je uvedeno v záručním listě nebo na paragonu.

Přejeme vám spoustu příjemných zážitků při konzumaci připravených pokrmů.



Přístroj je určen pouze k použití v domácnosti, a to na ohřívání pokrmů a nápojů působením elektromagnetické energie. Přístroj používejte pouze ve vnitřních prostorách.

## NÁVODY K OBSLUZE

Návody k obsluze jsou určeny spotřebiteli. Popisují přístroj a jeho obsluhu. Jsou přizpůsobeny různým typům přístrojů, proto mohou obsahovat také popisy funkcí, které váš přístroj nemá.



Nikdy se nedotýkejte ploch spotřebičů určených k vaření nebo ohřívání. Během provozu se zahřívají. Udržujte děti v bezpečné vzdálenosti. Hrozí nebezpečí popálení!



Zdroj mikrovlnného záření a vysoké napětí. Neodstraňujte kryt.

**VAROVÁNÍ!** Zařízení a jeho dostupné části se během používání zahřejí. Je třeba se vyhnout styku s horkými částmi. Děti ve věku do 8 let je třeba udržovat mimo dosah, nejsou-li pod trvalým dohledem.

Toto zařízení mohou používat děti od 8 let a osoby s omezenou fyzickou, smyslovou či mentální schopností či osoby bez dostatečných zkušeností a znalostí, jsou-li pod dohledem, nebo pokud jim byly poskytnuty pokyny ohledně bezpečného používání zařízení a pokud znají související rizika. Děti by měly být pod dohledem, aby si nemohly s tímto spotřebicem hrát. Čištění a uživatelskou údržbu nesmí provádět děti do 8 let a bez dozoru.

Nenechávejte spotřebič a jeho přívodní kabel v dosahu dětí mladších 8 let.

- **UPOZORNĚNÍ:** Když přístroj pracuje v kombinovaném režimu, mohou jej děti používat pouze pod přísným dozorem dospělých osob (platí jen pro přístroje s funkcí grilu). Hrozí nebezpečí popálení z důvodu vysokých teplot.
- **UPOZORNĚNÍ:** Pokud jsou dveře nebo jejich těsnění poškozené, přístroj nepoužívejte, dokud ho neopraví příslušný odborník.

- **UPOZORNĚNÍ:** Jakékoliv opravy, prováděné pod krytem, který chrání uživatele před mikrovlnnými paprsky, jsou nebezpečné. Proto vám radíme, abyste je přenechali odborníkům.
- **UPOZORNĚNÍ:** Tekuté nebo jiné potraviny neohřívejte ve volně nebo těsně uzavřených nádobách, protože může dojít k jejich prasknutí.
- Nedemontujte patky mikrovlnné trouby; proudícímu vzduchu ponechte volný průchod.
- Používejte jen pomůcky, které se do mikrovlnné trouby hodí z hlediska bezpečnosti.
- Při ohřívání potravin v umělohmotných nebo papírových obalech nebo nádobách kontrolujte kvůli vlastní bezpečnosti proces ohřívání: takový materiál se může snadno vznítit.
- Pokud se vyskytne kouř, ihned vypněte přístroj a zástrčku vytáhněte ze zásuvky; dvířka nechte otevřená a případný oheň uhasťte.
- Pokud v mikrovlnné troubě ohříváte nápoje, počítejte s tím, že může být nápoj během krátké doby ohřátý na bod varu – proto buďte opatrní.
- Aby nedošlo ke vzniku popálenin, ještě před použitím promíchejte obsah dětských lahví, případně lahví s pokrmem pro děti; před použitím zkontrolujte teplotu pokrmu.
- V mikrovlnné troubě neohřívejte čerstvá nebo uvařená vejce ve skořápce, protože mohou prasknout (explodovat!), i když budou z trouby již vytažena.
- Při čištění povrchu dveří, těsnění a vnitřku trouby používejte jen jemné a neagresivní čisticí prostředky, které rozetřete houbičkou nebo měkkým hadříkem.

- Pravidelně čistěte troubu a odstraňujte případné nánosy jídel.
- Pokud troubu nebudete čistit pravidelně, může se její vnitřní povrch opotřebovat, a zkrátit tak životnost vaší trouby – navíc vzniká zvýšené riziko při použití přístroje.
- Pokud dojde k poškození elektrického kabelu, může poškozený kabel vyměnit pouze výrobce, pracovník autorizovaného servisu nebo jiný vhodný odborník.
- Nenechávejte též viset přívodní kabel přes hranu stolu či pracovní plochy.
- Nevystavujte se nebezpečným situacím a nikdy nepřipojujte tento přístroj k externímu časovému spínači ani systému dálkového ovládání.
- Nepokoušejte se vyměnit osvětlení ohřívacího prostoru, ani to nedovolte nikomu jinému kromě osoby autorizované GORENJE. Pokud přestane osvětlení ohřívacího prostoru fungovat, obraťte se na svého prodejce GORENJE nebo servisní středisko.
- **UPOZORNENÍ:** Na žádnou z částí mikrovlnné trouby nepoužívejte komerční čisticí prostředky pro trouby, parní cistice, drsné a hrubé cistice, jakékoli čisticí prostředky obsahující hydroxid sodný nebo drátenky. Troubu čistěte v pravidelných intervalech a odstraňujte veškeré zbytky jídla.

V dalším textu jsou uvedena některá pravidla a bezpečnostní opatření, na která stejně jako u jiných přístrojů musí být brán zřetel, aby přístroj fungoval bezvadně, účinně a dlouhodobě bez problémů:

1. Pokud je mikrovlnná trouba v činnosti, musí být skleněný talíř, držáky válce, spojka a drážky vždy na svém místě.
2. Nepoužívejte troubu pro žádné jiné účely než pro přípravu jídel; v mikrovlnné troubě nesušte oblečení, papír nebo jiné předměty a nepoužívejte ji pro sterilizaci.
3. Nikdy nezapínejte troubu, pokud je prázdná, protože byste ji mohli poškodit.
4. V mikrovlnné troubě neskladujte žádný předmět: např. papír, recepty atd.
5. Nevařte pokrmy s blánou nebo slupkou, např. vaječné žloutky, brambory, kuřecí játra atd., aniž byste předtím blánu nebo slupku na více místech před vařením propíchli.
6. Nevkládejte žádné předměty do otvorů na vnější straně trouby.
7. Nikdy nedemontujte části trouby, např. patky, zámek, šroubky atd.
8. Nevařte pokrmy přímo na skleněném talíři v troubě. Než pokrm vložíte do trouby, dejte jej do vhodné nádoby.

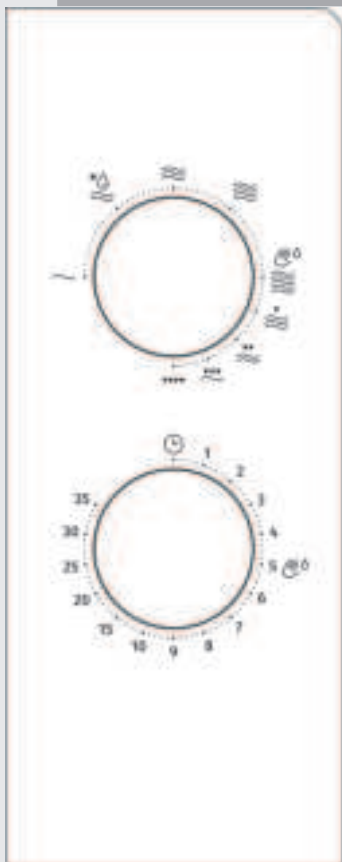
**DŮLEŽITÉ:** Kuchyňské nádobí, jehož použití v mikrovlnné troubě je zakázáno:

- Nepoužívejte kovové pánve nebo nádoby s kovovými držadly.
- Nepoužívejte nádobí s hranami potaženými kovem.
- Nepoužívejte papírem potažené kovové drátky k zavírání igelitových sáčků.
- Nepoužívejte nádobí z melaminu, protože obsahuje materiál, který absorbuje mikrovlnné paprsky. To může způsobit, že nádoba praskne nebo se spálí, kromě toho může zpomalit proces ohřívání nebo vaření.
- Nepoužívejte nádobí bez vhodné ochrany, která je určena k používání v mikrovlnné troubě. Nepoužívejte ani uzavřené nádobí s rukojetí.
- Nepřipravujte pokrmy nebo nápoje v nádobí se zúženým okrajem, např. láhev, která může při ohřívání prasknout.
- Nepoužívejte klasické teploměry na maso a cukroví. Používat můžete pouze teploměry, které jsou určeny k použití v mikrovlnných troubách.



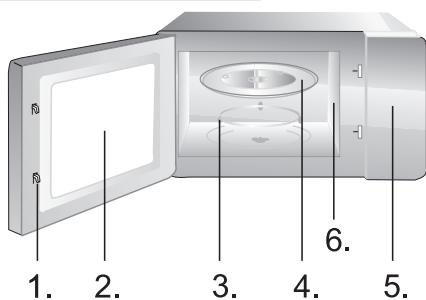
9. Pomůcky pro mikrovlnnou troubu používejte pouze v souladu s návody jejich výrobce.
10. Nepokoušejte se v mikrovlnné troubě smažit potraviny.
11. Dbejte na to, aby se v troubě ohřál pouze obsah nádoby a ne samotná nádoba, ve které se obsah nachází. Může se totiž stát, že po nadzvednutí pokličky se obsah v nádobě odpařuje nebo z něj stříkají kapky, přestože samotná poklice není horká.
12. Před použitím vždy zkontrolujte teplotu pokrmu, obzvláště pokud je pokrm určen dětem. Doporučujeme vám, abyste nikdy neochutnávali pokrmy přímo z trouby. Nejdříve nádobu vyjměte a obsah promíchejte, aby se teplota rovnoměrně rozdělila.
13. Pokrmy, které obsahují emulzi omastku a vody, např. polévkový základ, musejí v troubě zůstat ještě 30 až 60 sekund po vypnutí. Vývar přestane vřít a nebude bublat, pokud jej promícháte, nebo do něj vložíte polévkovou kostku (např. masox).
14. Při přípravě pokrmů dávejte pozor, aby se některé druhy pokrmů, např. vánoční pudink, marmeláda nebo mleté maso, neohřály příliš rychle. K ohřívání nebo vaření pokrmů, které obsahují větší množství tuku, nepoužívejte umělohmotné nádoby.
15. Pomůcky, které používáte při přípravě pokrmů v mikrovlnné troubě, se mohou velmi zahřát, protože pokrmy vylučují teplo. Zejména to platí v případě, kdy je horní část nádoby přikrytá umělohmotnou poklicí nebo krytem. Na přenesení takové nádoby budete potřebovat kuchyňské rukavice.
16. Abyste snížili riziko požáru v mikrovlnné troubě:
  - a) Dejte pozor, abyste pokrmy nevařili příliš dlouho. Pečlivě kontrolujte průběh ohřívání, pokud se v troubě nacházejí papírové nebo umělohmotné pomůcky, případně nádoby z hořlavého materiálu.
  - b) Než položíte sáček do mikrovlnné trouby, odstraňte drátky, které slouží k jeho uzavírání.
  - c) Pokud předmět v troubě začne hořet, nechte dvířka trouby zavřená, vypněte troubu, vytáhněte zástrčku ze zásuvky nebo vypněte hlavní pojistku na pojistkovém panelu.

# DIAGRAM TROUBY

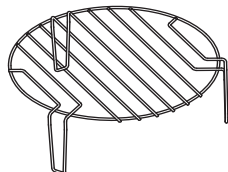


1 - Nastavení výkonu

2 - Nastavení doby ohřevu (v rozmezí 0-35 minut)



1. Zavírání dvířek
2. Okno trouby
3. Prstenec skleněného talíře
4. Skleněný talíř
5. Kontrolní panel
6. Vedení vln (prosíme, slídovou destičku zakrývající vedení vln neodstraňujte)



Mřížka grilu (Používá se pouze u funkce grilu nebo kombinace mikrovlnného ohřevu a grilu a umísťuje se na skleněný talíř.)

# NÁVOD K POUŽITÍ

## ZASTAVENÍ VAŘENÍ

1. **Na dočasné zastavení; Otevřete dvířka. Výsledek: Vaření za zastaví. Pro obnovení vaření zavřete dvířka.**
2. **Úplného zastavení: otočte časovač do polohy »0« .**

## ROZMRAZOVÁNÍ JÍDLA

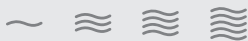


**Funkce rozmrazování umožňuje rozmrazit maso, drůbež či rybu. Nejdříve vložte zmražené jídlo do středu otočného talíře a zavřete dvířka.**

1. Otočením ovladače výkonu nastavte Rozmrazování.
2. Otočením časovače nastavte čas. Rozsvítí se osvětlení trouby.

**POZNÁMKA:** Mikrovlnná trouba bude pracovat nastavený čas. Po uplynutí nastaveného času zazní zvukový signál. Nastavení času můžete změnit kdykoliv během činnosti trouby.

## VAŘENÍ / OHŘÍVÁNÍ



**Následující postup popisuje jak uvařit nebo ohřát jídlo. Vždy zkontrolujte vaše nastavení vaření předtím, než necháte troubu bez dozoru. Nejdříve vložte pokrm do středu otočného talíře a zavřete dvířka.**

1. Otočením ovladače výkonu vaření nastavte úroveň výkonu 17%, 33%, 55%, 77%, 100%.
2. Otočením časovače nastavte čas. Rozsvítí se osvětlení trouby.

## KOMBINACE 1



**20 % času pro mikrovlnné vaření, 80 % pro grilování. Použijte na přípravu ryb a pokrm s křupavou kůrkou.**

Předpokládejme, že chcete nastavit kombinaci 1 a čas přípravy 25 minut. Otevřete dveře a vložte pokrm, pak dveře zavřete.

1. Otočením ovladače výkonu vaření nastavte KOMBINACE 1.
2. Otočením časovače nastavte čas na 25 min. Rozsvítí se osvětlení trouby.

## KOMBINACE 2



**30 % času pro mikrovlnné vaření, 70 % pro grilování. Použijte na přípravu omelety, pečených brambor a drůbeže.**

Předpokládejme, že chcete nastavit kombinaci 2 a čas přípravy 25 minut. Otevřete dveře a vložte pokrm, pak dveře zavřete.

1. Otočením ovladače výkonu vaření nastavte KOMBINACE 2.
2. Otočením časovače nastavte čas na 25 min. Rozsvítí se osvětlení trouby.

## KOMBINACE 3



### **40 % času pro mikrovlnné vaření, 60 % pro grilování. Používejte na přípravu omelety, pečených brambor a drůbeže.**

Předpokládejme, že chcete nastavit kombinaci 3 a čas přípravy 25 minut. Otevřete dveře a vložte pokrm, pak dveře zavřete.

1. Otočením ovladače výkonu vaření nastavte KOMBINACE 3.
2. Otočením časovače nastavte čas na 25 min. Rozsvítí se osvětlení trouby.

## GRIL





### **Gril je zvláště užitečný pro přípravu tenkých plátků masa, řízků, hub, kebabu, plátků kuřecího. Je také vhodný pro přípravu teplých sendvičů a jídel s křupavou kůrkou.**

Například, předpokládejme, že chcete grilovat 12 minut. Otevřete dveře a vložte pokrm, pak zavřete dveře.

1. Otočením ovladače výkonu vaření nastavte GRILL.
2. Otočením časovače nastavte čas na 12 min. Rozsvítí se osvětlení trouby.

## FUNKCE SAMOČIŠTĚNÍ - AQUACLEAN



Pro běžné čištění trouby doporučujeme následující postup: Knoflík pro výběr způsobu činnosti otočte do polohy . Vložte sklenici s vodou - 200 ml - a nastavte doby ohřevu na funkci samočištění . Po 5 minutách vyjměte sklenici a vnitřek trouby vytřete suchou utěrkou.

1. Než začnete čistit mikrovlnnou troubu, vytáhněte zástrčku ze zásuvky.
2. Vnitřek trouby udržujte vždy v čistotě. Pokud částečky pokrmu nebo tekutiny, které stříkají na stěny nebo dno trouby, zaschnou, otřete je navlhčeným hadříkem. Nedoporučuje se používání hrubých čisticích nebo agresivních prostředků.
3. Vnější povrch trouby čistěte navlhčeným hadříkem. Aby nedošlo k poškození vnitřních stěn mikrovlnné trouby, dbejte na to, aby se do průduchů nevyllila voda.
4. Kontrolní panel nesmí přijít do kontaktu s vodou. Čistěte ho měkkým a navlhčeným hadříkem. K čištění kontrolního panelu nepoužívejte mycí nebo agresivní čisticí prostředky ani prostředky ve spreji.
5. Pokud se na vnitřním nebo vnějším povrchu trouby objeví pára, otřete ji měkkým hadříkem. To se může stát v případě, že mikrovlnnou troubu používáte ve vlhkých místnostech, v žádném případě se nejedná o poruchu trouby.
6. Občas vyjměte také skleněný talíř z trouby a očistěte jej. Skleněný talíř (podstavec) myjte teplou vodou nebo v myčce.
7. Ložiskový prstenec a dno (spodní povrch) vnitřní části trouby je třeba pravidelně čistit, v opačném případě může trouba pracovat hlučně. Jednoduše očistěte dno v troubě jemným čisticím prostředkem, vodou nebo prostředkem na čištění skla a nechte uschnout. Ložiskový prstenec můžete omývat teplou vodou nebo v myčce na nádobí. Po dlouhodobém používání trouby se na kolečkách ložiskového prstence objeví výpary, které se uvolňují při vaření; nemají žádný vliv na jeho funkci. Při vyjmutí ložiskového prstence z drážky na dně komory (vnitřku trouby) dejte pozor, abyste ho zase správně umístili.
8. Případný nepříjemný pach z trouby můžete odstranit tak, že do hluboké nádoby na přípravu pokrmů v troubě nalijete šálek vody a nakrájíte kůru z jednoho citronu. Nádobu vložte na pět minut do mikrovlnné trouby a troubu zapněte. Po vypnutí pečlivě otřete a vysušte vnitřek trouby a očistěte jej měkkým hadříkem.

## ŽIVOTNÍ PROSTŘEDÍ

Až přístroj doslouží, nevyhazujte jej do běžného komunálního odpadu, ale odevzdejte jej do sběrný určené pro recyklaci. Pomůžete tím chránit životní prostředí.

## INSTALACE

1. Nejdříve zkontrolujte, jestli jste z vnitřku trouby vyndali veškerý obalový materiál.
2. Po jeho odstranění zkontrolujte troubu, jestli nedošlo k jejímu poškození, např.:
  - ohnuté dveře,
  - poškozené dveře,
  - poškození nebo nerovnosti ve skle (okénku) na dveřích nebo na displeji,
  - nerovnosti ve vnitřku trouby.Jakmile zjistíte některé z uvedených poškození, přestaňte troubu používat.
3. Mikrovlnná trouba váží přibližně 11 kg; postavte ji na rovnou a dostatečně pevnou plochu, která unese váhu trouby.
4. Troubu položte co nejdále od tepelných zdrojů a páry.
5. Na horní stěnu trouby nic nepokládejte.
6. Pro správnou cirkulaci vzduchu kolem přístroje by mělo být: kolem trouby alespoň 20 cm a nad ní 30 cm volného prostoru.
7. Neodnímejte pohonnou hřídel otočného talíře uvnitř trouby.
8. Pokud mikrovlnnou troubu používají děti, musejí být pod pečlivým dohledem dospělých osob.
9. Elektrická zásuvka musí být přístupná tak, aby bylo možné spotřebic v případě nouze snadno odpojit. Nebo by mělo být možné izolovat troubu od napájení začleněním vypínače odpovídajícího pravidlum pro kabeláž. Připojte spotřebic ke zdroji jednofázového napětí 230 V/50 Hz střídavého proudu prostřednictvím správně nainstalované zásuvky s uzemněním. **UPOZORNĚNÍ! TOTO ZARÍZENÍ MUSÍ BYT UZEMNĚNO!** Vyrobcem nenese žádnou odpovědnost za případy, kdy nejsou tato bezpečnostní opatření dodržena.
10. Trouba potřebuje 1,3 kVA příkonu. Doporučujeme vám, abyste se při instalaci trouby poradili s opravářem, případně s vhodným odborníkem.

**POZOR: Trouba je vybavena vlastní pojistkou, a to 250 V, 8 A.**

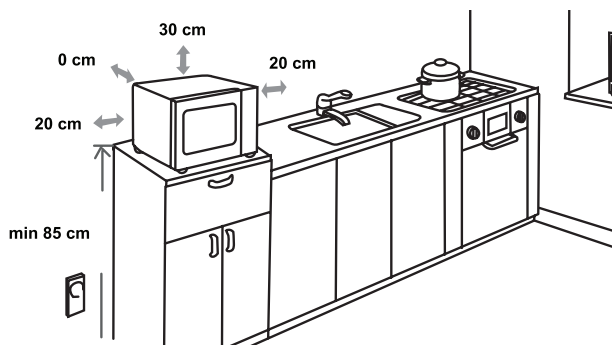
## SPECIFIKACE

Spotřeba el. energie.....	220-240V-50Hz, 1280W
Výkon.....	800W
Spirála grilu.....	1000W
Funkční frekvence.....	2450MHz
Vnější rozměry.....	455 x 353 x 261 mm
Objem trouby.....	20 litrů
Hmotnost bez obalu.....	přibližně 11 kg
Hladina akustického výkonu vyzařovaná spotřebičem.....	Lc < 58 dB (A)



**Tento přístroj je označen v souladu s evropskou směrnicí 2012/19/EU o elektrickém a elektronickém odpadu (waste electrical and electronic equipment - WEEE). Směrnice obsahuje nařízení o sběru a nakládání s odpady elektrického a elektronického charakteru, které platí v EU.**

## MONTÁŽNÍ ROZMĚRY



## PORUCHY FUNKCE PŘIJÍMAČŮ (INTERFERENCE)

Mikrovlnná trouba může způsobit poruchu funkce vašeho rádiového nebo televizního přijímače, popř. jiných obdobných přístrojů. V případě, že se vyskytne interference, můžete tuto poruchu snížit, případně zcela odstranit, následovně:

- Očistěte dveře a povrch těsnění v troubě.
- Umístěte rušený přijímač co možná nejdále od mikrovlnné trouby.
- Své rádio nebo televizi vybavte vhodnou anténou, kterou umístíte tak, aby zajistila silný příjem signálu.

VYHRAZUJEME SI PRÁVO NA ZMĚNY, KTERÉ NEMAJÍ Vliv NA FUNKČNOST SPOTŘEBIČE.

## NEŽ ZAVOLÁTE OPRAVÁŘE

1. V případě, že mikrovlnná trouba vůbec nefunguje, nebo se nerozsvítí displej, popř. zhasne:
  - a) Zkontrolujte, jestli je trouba správně připojena do elektrické sítě. Pokud není, vytáhněte zástrčku ze zásuvky a vyčkejte 10 vteřin; poté ji znovu zastrčte.
  - b) Zkontrolujte, jestli je pojistka elektrického vedení neporušená, nebo jestli nevypadla pojistka v domě. Pokud jsou všechny pojistky funkční, vyzkoušejte zásuvku zapojením jiného přístroje.
2. V případě, že mikrovlnná trouba nehřeje, tj. nevytváří mikrovlnný paprsek:
  - a) Zkontrolujte, jestli jsou programovací hodiny správně nastavené.
  - b) Zkontrolujte, jestli jsou dvířka správně zavřena a bezpečnostní zámek uzamčen. Pokud tomu tak není, trouba nebude fungovat.

**V případě, že se vám pomocí tohoto návodu nepodařilo odstranit závadu, spojte se s autorizovaným opravářem.**

## ZÁRUKA A SERVIS

Pokud byste měli jakýkoliv problém nebo byste potřebovali nějakou informaci, kontaktujte Středisko péče o zákazníky společnosti Gorenje ve své zemi (telefonní číslo střediska najdete v letáčku s celosvětovou zárukou).

Pokud se ve vaší zemi Středisko péče o zákazníky nenachází, můžete kontaktovat místního dodavatele výrobků Gorenje nebo oddělení Service Department of Gorenje Domestic Appliances.

### Jen pro osobní užití!

Další informace o pečení v mikrovlnné troubě bez nebo s použitím grilu a jiné užitečné rady najdete na našich stránkách:

<http://www.gorenje.cz>

**PŘEJEME VÁM PŘÍJEMNÉ CHVÍLE PŘI POUŽÍVÁNÍ  
MIKROVLNNÉ TROUBY - VAŠE**

# gorenje



**VÁŽENÝ ZÁKAZNÍK**

Úprimne Vám ďakujeme za nákup. Veríme, že čoskoro nájdete bohaté informácie, ktoré skutočne spoliehajú na naše výrobky. Aby ste si uľahčili obsluhu spotrebiča, prikladáme tento obsiahly návod na obsluhu.

Pokyny Vám pomôžu pri oboznamovaní sa s vaším novým spotrebičom. Prosím, prečítajte si ich pozorne pred prvým použitím spotrebiča.

V každom prípade, sa prosím, uistite, že Vám bol doručený nepoškodený spotrebič. Mali by ste určiť prepravné poškodenie, spojiť sa s obchodným zástupcom, alebo miestnou predajňou, z ktorej bol výrobok dodaný. Telefónne číslo nájdete na príjmovom doklade, alebo na dodacom liste.

Želáme Vám veľa potešenia s Vaším novým domácim spotrebičom.



Toto zariadenie pre domáce použitie na ohrievanie jedla a nápojov používa elektromagnetickú energiu, len pre domáce použitie.

**NÁVOD NA OBSLUHU**

Návod na použitie je určený pre užívateľa. Popisuje spotrebič a spôsob zaobchádzania s ním. Je univerzálneho charakteru a preto je možné, že výrobok, ktorý vlastníte, neobsahuje všetky funkcie popísané v návode.



Nikdy sa nedotýkajte plôch spotrebičov určených na varenie alebo ohrievanie. Počas prevádzky sa zahrievajú. Udržujte deti v bezpečnej vzdialenosti. Hrozí nebezpečenstvo popálenia!



Mikrovlnné žiarenie & vysoké napätie!  
Neodstraňujte kryt.

**VÝSTRAHA!** Zariadenie a jeho dostupné časti sa v priebehu používania zahrejú. Je treba sa vyhnúť styku s horúcimi časťami. Deti vo veku do 8 rokov je treba udržiavať mimo dosah, pokiaľ nie sú trvalým dozorom. Toto zariadenie môžu používať deti od 8 rokov a osoby s obmedzenou fyzickou, zmyslovou či mentálnou schopnosťou či osoby bez dostatočných skúseností a znalostí, pokiaľ sú pod dozorom, alebo pokiaľ im boli poskytnuté pokyny o bezpečnom používaní zariadenia a pokiaľ poznajú súvisiace riziká.

Dbajte na to, aby sa deti nehrali so zariadením. Čistenie a užívateľskú údržbu nesmú robiť deti do 8 rokov a deti bez dozoru. Udržujte spotrebič a prívodný kábel mimo dosahu detí mladších ako 8 rokov.

- **VAROVANIE:** Pri používaní zariadenia v kombinovanom režime, by mali deti používať rúru len pod dohľadom dospelých kvôli generovaným teplotám; (Len pre modely s funkciou grilovania)
- **VAROVANIE:** Ak sú dvere alebo tesnenie dverí poškodené, rúru nesmiete používať, pokiaľ nebude opravená kompetentnou osobou;

- **VAROVANIE:** Pre každého, okrem kompetentnej osoby, je nebezpečné vykonávať opravy a údržbu, ktorá zahŕňa demontáž krytu, ktorý chráni pred mikrovlnnou energiou.;
- **VAROVANIE:** Tekutiny a iné potraviny nesmú byť ohrievané v uzatvorených nádobách, pretože môžu explodovať.
- Neodstraňujte nožičky rúry a neblokujte ventilačné otvory.
- Používajte len kuchynský riad určený na použitie v mikrovlnnej rúre.
- Keď ohrievate potraviny v plastových alebo papierových obaloch, dávajte pozor, aby sa nevznietili;
- Ak spozorujete dym, vypnite alebo odpojte zariadenie a dvere nechajte zatvorené na uhasenie ohňa;
- Mikrovlnné ohrievanie môže mať za následok oneskorené prevretie, preto buďte pri narábaní s nádobou opatrný;
- Obsah fľaše pre kojencov a detské poháre premiešajte alebo pretrepte a pred podávaním deťom skontrolujte teplotu na zabránenie popálenia;
- Vajcia v škrupine a celé vajcia na tvrdo neohrievajte v mikrovlnnej rúre, pretože môžu explodovať, dokonca aj po skončení ohrievania;
- Na čistenie povrchov dverí, tesnenia dverí, interiéru rúry použite len jemné nebrúsne mydlá, alebo čistiace prostriedky aplikované špongiou alebo jemnou tkaninou.
- Rúra by mala byť čistená pravidelne a mali by byť odstránené všetky zvyšky pokrmov;

- Neudržiavanie rúry v čistých podmienkach môže viesť k poškodeniu povrchu, ktorý môže nepriaznivo ovplyvniť životnosť zariadenia a môže byť výsledkom nebezpečnej situácie;
- Ak je sieťová šnúra poškodená, musí byť vymenená výrobcom, servisom alebo podobne oprávnenou osobou na zabránenie rizika.
- Nenechajte kábel prevísať cez okraj stola alebo pracovnej dosky.
- Aby nedošlo k nebezpečným situáciám, nikdy nepripájajte zariadenie k externému časovému spínaču ani diaľkovému ovládacímu systému.
- Nepokúšajte sa sami vymeniť žiarovku rúry a zabezpečte, aby túto činnosť vykonávali výhradne autorizované osoby. Ak sa vypáli žiarovka rúry, obráťte sa na predajcu alebo miestne servisné stredisko.
- **UPOZORNENIE:** Žiadnu časť mikrovlnnej rúry nečistite čistiacimi prostriedkami na tradičné rúry, parnými čističmi, abrazívnymi ani agresívnymi čistiacimi prostriedkami, prostriedkami s obsahom hydroxidu sodného ani drôtenkami.

## BEZPEČNOSTNÉ POKYNY PRE VŠEOBECNÉ POUŽITIE

Nižšie sú uvedené, tak ako pri všetkých spotrebičoch, určité zásady na ovládanie a bezpečnosť na zaistenie špičkového výkonu tejto rúry:

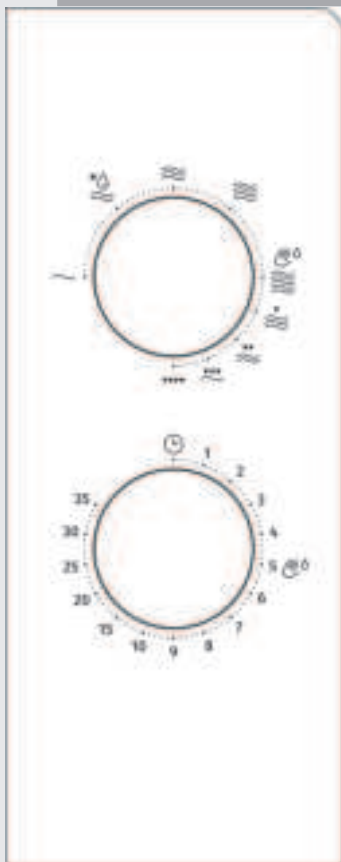
1. Pri používaní rúry vždy majte na svojom mieste všetky potrebné súčasti (otočný sklený tanier, valčekový prsteneč a spojky).
2. Rúru používajte len na prípravu pokrmov, nepoužívajte na sušenie oblečenia, papiera alebo iných nepotravinových predmetov a na sterilizovanie.
3. Rúru nepoužívajte, keď je prázdna. Toto ju môže poškodiť.
4. Rúru nepoužívajte ako odkladací priestor, napríklad papiera, kníh, atď.
5. Nevarte žiadny pokrm s blanou, ako je žĺtok, zemiaky, kurča, atď, bez niekoľkonásobného prepichnutia vidličkou.
6. Do vonkajších otvorov nevkladajte žiadne predmety.
7. Neodstraňujte žiadne časti rúry ako sú nožičky, skrutky, atď.
8. Pokrm nevarte priamo na otočnom tanieri. Pokrm umiestnite do/na správny kuchynský riad.

### **DÔLEŽITÉ** - V MIKROVLNNEJ RÚRE NEPOUŽÍVAJTE

- Nepoužívajte kovové panvice alebo riad s kovovými rúčkami.
  - Nepoužívajte riad s kovovými ozdobami.
  - Nepoužívajte plastové vrecká uzatvorené drôtom.
  - Nepoužívajte melamínový riad ak obsahuje materiál, ktorý pohlcuje mikrovlnnú energiu. To môže spôsobiť prasknutie riadu alebo opálenie a spomaľuje rýchlosť varenia.
  - Nepoužívajte starožitný riad. Glazúra nie je vhodná pre mikrovlnné použitie. Šálky typu „Corelle Livingware“ by nemali byť použité.
  - Nepoužívajte na varenie nádoby s obmedzeným otvorom, pretože môžu explodovať.
  - Nepoužívajte bežné mäsové a pekárske teplomery.
  - Existujú teplomery výslovne na mikrovlnné varenie. Tieto môžu byť použité.
9. Mikrovlnný riad by mal byť používaný len s pokynmi výrobcu.
  10. Nepokúšajte sa smažiť pokrmy v rúre.
  11. Zapamätajte si, že mikrovlnná rúra ohrieva len tekutinu v nádobe. Preto kryt nádoby nie je po vybratí z rúry horúci. Zapamätajte si, že pokrm/tekutina vnútri uvoľní rovnaké množstvo pary po otvorení krytu ako pri bežnom varení.
  12. Vždy skontrolujte teplotu vareného pokrmu, obzvlášť

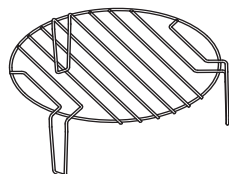
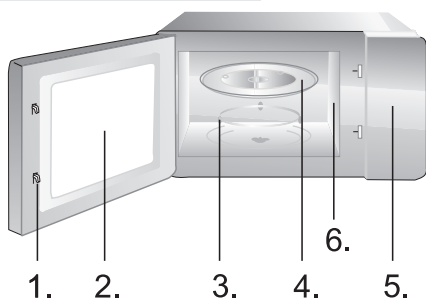
- ak ohrievate alebo varíte pokrm/tekutinu pre deti. Je vhodné nikdy nekonzumovať pokrm ihneď po vybratí z rúry, ale ho nechať niekoľko minút odstáť a premiešať, aby sa rovnomerne rozložilo teplo.
13. Pokrm obsahuje zmes tuku a vody, napr. vývar by ste mali nechať odstáť 30-60 sekúnd v rúre po dokončení. To umožní zmesi vyrovnáť teplotu a zamedziť bublaniu keď ponoríte lyžicu do pokrmu/tekutiny alebo pridáte bujón.
  14. Keď pripravujete/varíte pokrm/tekutinu a pamätáte, že sú určité pokrmy, napríklad puding, džem a mleté mäso, ktoré sa zohrejú veľmi rýchlo. Keď ohrievate alebo varíte pokrmy s vysokým obsahom tuku alebo cukru, nepoužívajte plastové nádoby.
  15. Kuchynský riad sa môže zohriať z dôvodu prenosu tepla z ohrievaného pokrmu. Zvlášť pri riade s plastovými povrchmi. Preto na vybratie nádoby môžu byť potrebné kuchynské rukavice.
  16. Zníženie rizika vzniku ohňa v rúre:
    - a) Pokrm neprevádzajte. Ak sú v rúre umiestnené papierové, plastové alebo iné horľavé materiály potrebné pri varení, neustále kontrolujte mikrovlnnú rúru.
    - b) Pred vložením vreciek do mikrovlnnej rúry z nich odstráňte uzatváracie drôty.
    - c) Ak by sa materiály vnútri rúry mali zapáliť, nechajte dvere rúry zatvorené, odpojte rúru z elektrickej zásuvky, vypnite stenový istič alebo vypnite hlavný istič v poistkovej skrini.

# OVLÁDACÍ PANEĽ



1 - Ovládač výkonu

2 - Časovač 0 - 35 minút



1. Bezpečnostný uzatvárací systém dverí
2. Okno rúry
3. Valčekový prstenec
4. Otočný tanier
5. Ovládací panel
6. Vlnovod (neodstraňujte kryt zakrývajúci vlnovod)

Grilovací stojan (Používaný len pre grilovanie alebo kombinovanú funkciu a umiestnenie na sklenenom podnose)

# POKYNY K OBSLUHE

## ZASTAVENIE VARENIA

1. **Na dočasné zastavenie; Otvorte dvierka. Výsledok: Varenie sa zastaví. Na obnovenie varenia zatvorte dvierka.**
2. **Na úplne zastavenie: otočte časovač na »0«.**

## ROZMRAZOVANIE JEDLA



**Funkcia rozmrazovania vám umožňuje rozmraziť mäso, hydinu či rybu.** Najskôr vložte zmrazené jedlo do stredu otočného taniera a zatvorte dvierka.

1. Otočením ovládača výkonu nastavte Rozmrazovanie.
2. Otočením časovača nastavte čas. Rozsvieti sa osvetlenie rúry.

**POZNÁMKA:** Mikrovlnná rúra bude pracovať nastavený čas. Po uplynutí nastaveného času zaznie zvukový signál. Nastavenie času môžete zmeniť kedykoľvek počas činnosti rúry.

## VARENIE / OHRIEVANIE



**Nasledujúci postup vysvetľuje ako uvariť alebo ohriať jedlo. Vždy skontrolujte vaše nastavenia varenia predtým, než necháte rúru bez dozoru.** Najskôr vložte jedlo do stredu otočného taniera a zatvorte dvierka.

1. Otočením ovládača výkonu varenia nastavte úroveň výkonu 17%, 33%, 55%, 77%, 100%.
2. Otočením časovača nastavte čas. Rozsvieti sa osvetlenie rúry.

## KOMBINÁCIA 1



**20% času pre mikrovlnné varenie, 80% pre grilovanie.**

**Používajte na prípravu rýb a pokrmu s chrumkavou kôrkou.** Predpokladajme, že chcete nastaviť kombináciu 1 a čas prípravy 25 minút. Otvorte dvere a vložte pokrm, potom dvere zatvorte.

1. Otočením ovládača výkonu varenia nastavte KOMBINÁCIA 1.
2. Otočením časovača nastavte čas na 25 min. Rozsvieti sa osvetlenie rúry.



## KOMBINÁCIA 2



**30% času pre mikrovlnné varenie, 70% pre grilovanie. Používajte na prípravu omelety, pečených zemiakov a hydiny.** Predpokladajme, že chcete nastaviť kombináciu 2 a čas prípravy 25 minút. Otvorte dvere a vložte pokrm, potom dvere zatvorte.

1. Otočením ovládača výkonu varenia nastavte KOMBINÁCIA 2.
2. Otočením časovača nastavte čas na 25 min. Rozsvieti sa osvetlenie rúry.

## KOMBINÁCIA 3



**40% času pre mikrovlnné varenie, 60% pre grilovanie. Používajte na prípravu omelety, pečených zemiakov a hydiny.** Predpokladajme, že chcete nastaviť kombináciu 3 a čas prípravy 25 minút. Otvorte dvere a vložte pokrm, potom dvere zatvorte.

1. Otočením ovládača výkonu varenia nastavte KOMBINÁCIA 3.
2. Otočením časovača nastavte čas na 25 min. Rozsvieti sa osvetlenie rúry.

## GRILL





**Gril je zvlášť užitočný na prípravu tenkých plátkov mäsa, rezňov, húb, kebabu, plátkov kuraciny. Je taktiež vhodný na prípravu teplých sendvičov a jedál s chrumkavou kôrkou.** Napríklad, predpokladajme, že chcete grilovať 12 minút. Otvorte dvere a vložte pokrm, potom zatvorte dvere.

1. Otočením ovládača výkonu varenia nastavte GRILL.
2. Otočením časovača nastavte čas na 12 min. Rozsvieti sa osvetlenie rúry.

## FUNKCIA SAMOČISTENIA -



Pre správne čistenie vašej rúry je potrebná nasledujúca procedúra: otočte ovládač výkonu režimu prevádzky do polohy  . Vložte pohár vody - 200ml - a časovač nastavte funkciu  . Po 5 minútach vyberte pohár a vnútro rúry utrite suchou tkaninou.

# STAROSTLIVOSŤ O VAŠU MIKROVLNNÚ RÚRU

1. Pred čistením vypnite rúru a odpojte sieťovú zástrčku z elektrickej zásuvky.
2. Interiér rúry udržiavajte čistý. Keď sa kúsky pokrmu a tekutín dostanú na steny rúry, utrite ich navlhčenou tkaninou. Neodporúčame používať nešetrné saponáty alebo brúsne čističe.
3. Exteriér rúry by ste mali čistiť navlhčenou tkaninou. Na zabránenie operačných častí vnútri rúry by sa nemala dostať voda do ventilačných otvorov.
4. Nedovoľte, aby namokol ovládací panel. Čistite jemnou mierne navlhčenou tkaninou. Na čistenie ovládacieho panelu nepoužívajte saponáty, brúsne čističe alebo sprejové čističe.
5. Ak sa para nahromadí vnútri alebo okolo vonkajšej časti dverí rúry, utrite ju jemnou tkaninou. Toto môže nastať, keď je rúra používaná v podmienkach s vysokou vlhkosťou a nie je indikovaná porucha zariadenia.
6. Niekedy je nutné vyčistiť otočný tanier. Umyte ho v teplej mydlovej vode alebo v umývačke riadu.
7. Valčekový prstenec a interiér rúry by mal byť pravidelne čistený na zabránenie nadbytočnému hluku. Spodnú plochu utrite jemným saponátom, vodou alebo čističom okien a osušte. Valčekový prstenec môže byť umytý v miernej mydlovej vode alebo v umývačke riadu. Počas opakovaného používania sa zbierajú v rúre výpary ale nijako neovplyvňujú spodnú plochu a kolieska valčekového prstenca. Keď vyberiete valčekový prstenec na čistenie, potom ho správne vložte späť.
8. Na odstránenie pachov s rúry použite pohár vody so šťavou a kôrou citróna v hlbokej mise. Zapnite mikrovlnný ohrev na 5 minút, potom dôkladne utrite a osušte jemnou tkaninou.

## ŽIVOTNÉ PROSTREDIE

Nevyhadzujte spotrebič po ukončení životnosti s bežným domácim odpadom, ale odovzdajte ho v oficiálnej miestnej zberni na recykláciu. Týmto konaním pomôžete chrániť životné prostredie.

## INŠTALÁCIA

1. Skontrolujte, či ste odstránili všetky obalové materiály z vnútra dverí.
2. Po vybalení rúry skontrolujte, či nie je poškodená:
  - Nedoriadanie dverí
  - Poškodenie dverí
  - Vydutia alebo diery v okne dverí alebo obrazovke
  - Vydutia vo vnútri rúryAk nájdete jedno z vyššie uvedených poškodení, NEPOUŽÍVAJTE rúru.
3. Mikrovlnná rúra váži 11 kg a musí byť umiestnená na silnom vodorovnom povrchu, ktorý unesie túto hmotnosť.
4. Rúru neumiestňujte na miestach s vysokou teplotou a parou.
5. Na rúru NEUMIESTŇUJTE žiadne predmety.
6. Pre dostatočnú ventiláciu nechajte po stranách rúry minimálne 20 cm.
7. NEODSTRAŇUJTE hnací hriadel otočného taniera.
8. Tak ako pri každom zariadení je pri používaní deťmi potrebný dozor.
9. Elektrická zásuvka musí byť ľahko dostupná, aby sa zariadenie dalo v núdzovej situácii jednoducho odpojiť. Druhou možnosťou je odpojiť rúru od napájania pomocou vypínača v pevnom vedení v súlade s elektrickými predpismi. Pripojte zariadenie k jednofázovému napájaniu striedavého prúdu 230 V/50 Hz prostredníctvom správne nainštalovanej uzemnenej sieťovej zásuvky. **VÝSTRAHA! TOTO ZARIADENIE MUSÍ BYŤ UZEMNENÉ!** Výrobca odmieta akúkoľvek zodpovednosť v prípade, že nedodržíte tieto bezpečnostné opatrenia.
10. Táto rúra požaduje 1.3 KVA pre jej vstup, pri inštalácii je odporúčané konzultácia s kvalifikovaným pracovníkom.

**UPOZORNENIE: Táto rúra je chránená vnútornou 250V, 8 Amp poistkou.**

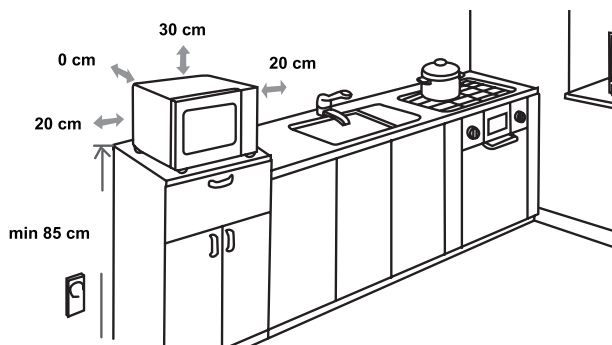
## TECHNICKÉ ÚDAJE

Spotreba energie.....	220-240V-50Hz, 1280W
Výkon.....	800W
Výkon grilu.....	1000W
Pracovná frekvencia.....	2450MHz
Vonkajšie rozmery .....	455 x 353 x 261 mm
Obsah rúry .....	20 litrov
Hmotnosť.....	11 kg
Deklarovaná hodnota emisie hluku je.....	Lc < 58 dB (A)



**Toto zariadenie je označené podľa Európskej smernice 2012/19/EU o Doslúžilých elektrických a elektronických zariadení (WEEE). Táto smernica určuje v rámci Európskej únie pokyny pre vrátenie a recykláciu starých elektrických a elektronických zariadení.**

## INŠTALÁCIA



## RUŠENIE

Mikrovlnná rúra môže spôsobiť rušenie vášho rádia, TV alebo podobného zariadenia. Ak nastane toto rušenie môžete ho odstrániť alebo znížiť nasledovnými opatreniami.

- Vyčistite dvere a tesnenie rúry.
- Rádio, TV, atď. umiestnite čo najďalej od mikrovlnnej rúry.
- Na dosiahnutie silného signálu použite správne nainštalovanú anténu pre vaše rádio, TV, atď.

VYHRADZUJEME SI PRÁVO NA ZMENY, KTORÉ NEMAJÚ VPLYV NA FUNKČNOSŤ SPOTREBIČA

## SKÔR AKO SA OBRÁTITE NA SERVIS

1. Ak rúra nefunguje, displej nezobrazuje alebo zobrazenie zmizne:
  - a) Skontrolujte, či je rúra správne pripojená. Ak nie, odpojte zástrčku zo zásuvky, počkajte 10 sekúnd a opäť ju správne pripojte.
  - b) Skontrolujte poistky pre daný obvod a hlavný istič. Ak sa javia byť v poriadku, skúste skontrolovať zásuvku pripojením iného zariadenia.
2. Ak mikrovlnná energia nepracuje:
  - a) Skontrolujte, či sú nastavené hodiny.
  - b) Skontrolujte, či sú dvere správne zatvorené. Inak mikrovlnná energia nebude prúdiť do rúry.

**Ak sa podľa vyššie uvedených pokynov nepodarí odstrániť problém, obráťte sa na najbližší servis.**

## ZÁRUKA & SERVIS

Ak potrebujete informácie, alebo ak máte problém, sa spojte so strediskom pre starostlivosť o zákazníkov Gorenje vo vašej krajine (číslo telefónu nájdete na záručnom liste). Ak sa vo vašej krajine nenachádza stredisko pre starostlivosť o zákazníkov, navštívte miestneho predajcu Gorenje, alebo sa spojte servisné oddelenie spoločnosti Gorenje domáce spotrebiče.

### Len pre použitie v domácnosti!

Ďalšie doporučené pre pečenie v mikrovlnnej rúre s ďalšími užitočnými informáciami nájdete na web stránke:

<http://www.gorenje.sk>

**VELA RADOSTI PRI POUŽÍVANÍ SPOTREBIČAVÁM PRAJE**

# gorenje

## TISZTELT VÁSÁRLÓNK

Köszönjük vásárlását. Bízunk benne, hogy hamarosan megbízhatónak fogja találni termékeinket. A készülék egyszerűbb használatának érdekében melléeltük ezt a könnyen érthető használati utasítást.

A használati utasítás segítségével lesz a készülék megismerésében. Kérjük olvassa át fi gyelmesen a készülék első használata előtt.

Kérjük győződjön meg róla, hogy a készülék sértetlen állapotban érkezett-e meg Önhöz. Amennyiben szállítási sérülést vesz észre, vegye fel a kapcsolatot az értékesítővel vagy a területi raktárral, ahonnan az árut szállították. A telefonszámot megtalálja a számlán vagy a szállítólevélen.

Sok örömet kívánunk új háztartási készüléke használata során!



A készülék kizárólag a háztartásban való használatra készült, ételek és italok elektromágneses energia segítségével történő melegítésére. A készüléket csak zárt térben használjuk.

## HASZNÁLATI UTASÍTÁS

A használati utasítás a készülék használójának szól. Benne ismertetésre kerül a készülék, valamint annak használata. Mivel különféle típusú készülékekhez készült, előfordulhat, hogy olyan funkciókat is leír, amelyekkel az Ön készüléke nem rendelkezik.



Soha ne érintsük meg főző, sütő vagy melegítésre használt háztartási készülékek felületét, mert azok működés közben felforrósodnak! Gondoskodjunk arról, hogy a kisgyerekek megfelelő távolságra legyenek a működő készülékektől. Égésveszély!



Mikrohullámok forrása/ magasfeszültség! Tilos a készülék fedelének eltávolítása.

**FFIGYELMEZTETÉS!** A készülék, és annak hozzáférhető részei a használat során felforrósodhatnak.

Ügyeljen, hogy a készülék fűtőelemeit ne érintse meg.

A 8 évnél fiatalabb gyermekeket tartsa távol a készüléktől, vagy biztosítsa folyamatos felügyeletüket. 8 évnél idősebb gyerekek, csökkent fizikai-, értelmi-, vagy mentális képességű személyek, illetve megfelelő tapasztalatokkal és ismeretekkel nem rendelkező személyek felügyelet mellett, vagy akkor használhatják a készüléket, ha annak biztonságos üzemeltetéséről útmutatást kaptak, és a kapcsolódó kockázatokat megértették. Figyelni kell a gyermekekre, hogy ne játszanak a készülékkel. A készülék tisztítását és felhasználói karbantartását 8 évnél idősebb gyerekek végezhetik, de csak felügyelet mellett. Gondoskodjon arról, hogy 8 évesnél fiatalabb gyermekek ne férjenek hozzá a készülékhez és annak csatlakozókábeléhez.

- **FIGYELEM:** Amikor a készülék kombinált üzemmódban működik, a keletkező igen magas hőmérsékletek miatt a gyerekek csak felnőttek gondos felügyelete mellett

használhatják a készüléket (csak a grill funkcióval rendelkező készülékek esetében).

- **FIGYELEM:** Ha az ajtó, vagy annak tömitései megsérültek, a készüléket nem szabad használni mindaddig, amíg a sérüléseket a szerelő ki nem javította.
- **FIGYELEM:** Minden olyan javítás vagy szerelés, amelyet nem a szakszerviz végez, és amely során eltávolításra kerül a mikrohullámokkal szembeni védelmet szolgáló fedél, veszélyes és kockázatos.
- **FIGYELEM:** folyadékokat vagy más ételeket ne melegítsünk zárt edényekben vagy lezárt csomagolásban, mert ezek könnyen felrobbanhatnak.
- Ne távolítsuk el a sütő lábait és ne fedjük be a szellőző nyílásokat.
- Csak mikrohullámú sütőben való használatra alkalmas eszközöket használjunk.
- Ha műanyag, vagy papír edényekben vagy csomagolásban melegítünk ételeket, felügyeljük a folyamatot, mivel az ilyen csomagolás, illetve edény kigyulladhat.
- A füstöt észlelünk, kapcsoljuk ki a készüléket, húzzuk ki a villásdugót a konnektorból, a sütő ajtaját pedig hagyjuk becsukva, hogy elfojtsuk az esetleges lángokat.
- A italt melegítünk a mikrohullámú sütőben, bizonyos idő elteltével az felforrhat és kifuthat, ezért ilyen esetekben legyünk különösen elővigyázatosak.
- Az égésveszély elkerülése érdekében használat előtt keverjük fel vagy rázzuk össze a bébiételes üvegek tartalmát, valamint ellenőrizzük azok hőfokát.



- A mikrohullámú sütőben ne melegítsünk héjas tojásokat, vagy egész főtt tojásokat, mert azok könnyen felrobbanhatnak, azt követően is, hogy a sütőben való melegítést már befejeztük.
- Az ajtó, a tömítések, illetve sütő belső felületének tisztításához használjunk kímélő (nem súroló) tisztítószeret. Ezeket szivaccsal vagy puha ruhával vigyük fel a felületekre.
- A sütőt tisztítsuk rendszeresen és távolítsuk el az esetleges ételmaradékokat.
- A sütőt nem tartjuk karban és nem tisztítjuk rendszeresen, a felületei elhasználódhatnak, ami negatív hatással van a készülék élettartamára és megnöveli a veszélyek kockázatát a sütő használata során.
- Ha a csatlakozó kábel sérült, azt a veszélyek elkerülése érdekében csak a gyártó, vagy a szakszerviz, illetve megfelelően képzett szakember cserélheti ki.
- Ne hagyja a hálózati kábelt az asztal vagy a munkalap széle alá lógni.
- A veszélyes helyzetek elkerülése érdekében a készüléket ne csatlakoztassa külső időzítőkapcsolóra, vagy távvezérlőrendszerre.
- Ne próbálja saját maga kicserélni a sütő lámpáját, és ne engedje meg más a szervizközpont által nem felhatalmazott személynek sem.
- **FIGYELMEZTETÉS:** Ne használjon általános forgalomban lévő tisztítószeret, gőztisztító berendezést, éles eszközöket, durva tisztítószeret, semmiféle nátriumhidroxid tartalmú szert vagy súroló eszközt a mikrohullámú sütő egyetlen részének tisztításához sem.

A folytatásban kerülnek felsorolásra azok a szabályok és biztonsági intézkedések, amelyeket – hasonlóan más készülékek használatához – be kell tartani ahhoz, hogy a sütő biztonságosan és hatékonyan működjön:

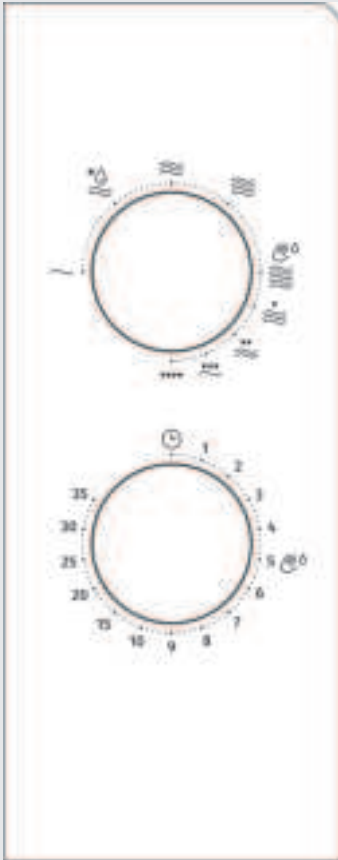
1. A sütő működése közben az üveglap, a henger karjai, az összekötő és a henger tartója mindig legyenek a helyükön.
2. A sütőt ételkészítésen kívül semmilyen más célra ne használjuk: ne szárítsunk benne ruhát, papírt vagy más tárgyat és ne használjuk sterilizálásra.
3. Üres állapotban soha ne kapcsoljuk be a sütőt, mert ezzel kárt okozhatunk benne.
4. Ne tároljunk semmit a sütő belsejében, pl. papírt, szakácskönyveket, stb.
5. Ne készítsünk a sütőben olyan ételt, amely membránréteggel van bevonva: pl. tojássárgája, burgonya, csirkemáj, stb., úgy, hogy előzetesen nem szúrjuk át a membránt több helyen villával.
6. Ne tegyünk semmilyen tárgyakat a sütő külső részén található nyílásokba.
7. Soha ne távolítsuk el a sütő részeit, pl. a lábakat, a rezeszt, a csavarokat, stb.
8. Ne készítsünk ételt közvetlenül az üveglapon. Mielőtt az ételt a sütőbe helyeznénk, tegyük megfelelő edénybe vagy hasonló segédeszközre.

**FONTOS:** A mikrohullámú sütőben nem használhatók a következő konyhai eszközök:

- Ne használjunk fém edényeket, vagy fém füllel rendelkező edényeket.
- Ne használjunk fém szegéllyel ellátott edényeket.
- Ne használjunk papírral bevont fém huzalokat a műanyag zacskók lezárására.
- Ne használjunk melaminból készült edényeket, mivel azok olyan anyagot tartalmaznak, amely magába szívja a mikrohullámú energiát. Ennek következtében az edény szétrepedhet vagy megéghet, emellett pedig a melegítés / főzés lassabb lesz.
- Ne használjunk olyan edényeket, amelyek nem rendelkeznek megfelelő bevonattal mikrohullámú sütőben való használatra. Ugyanígy ne használjunk lefedett, füles csészéket.
- Ne készítsünk ételt, illetve italt olyan edényben, amely felül összeszűkül (pl. üvegpalack), mert az melegítés közben megrepedhet.
- Ne használjunk hagyományos hőmérőket a húsokhoz vagy édességekhez. Csak olyan hőmérőket használjunk, amelyek alkalmasak mikrohullámú sütőben való használatra.

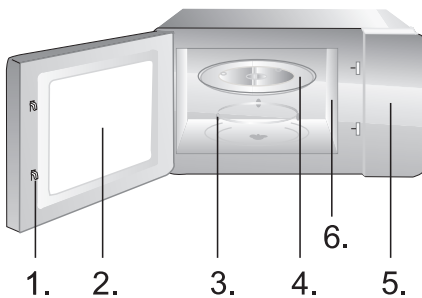
9. A mikrohullámú sütőhöz való segédeszközöket csak gyártójuk utasításainak megfelelően használjuk.
10. Ne próbáljunk a mikrohullámú sütőben kirántani ételeket.
11. Ügyeljünk arra, hogy a mikrohullámú sütőben csak a folyadék melegedjen fel, és ne az edény is, amelyben van. Lehetséges, hogy azután, hogy eltávolítottuk a fedelet, az edényben lévő folyadékból pára csapódik ki, vagy cseppek fröccsennek ki belőle akkor is, ha maga a fedél nem forró.
12. Használat előtt mindig ellenőrizzük az étel hőmérsékletét, különösen, ha gyerekeknek szeretnénk adni. Javasolt az ételt/italt nem azonnal elfogyasztani a sütőből való kivétel után, hanem néhány percig állni hagyni és lehetőség szerint felkeverni, hogy a hőmérséklet egyenletesen eloszoljon benne.
13. Az olyan étel, ami zsír és víz keverékét tartalmazza, pl. leves-alap, a sütő kikapcsolása után maradjon körülbelül 30-60 másodpercig még a sütőben. Ezáltal lehetővé válik, hogy a keverék leülepedjen és megelőzhetjük azt, hogy buborékok képződjenek, amikor kanállal a folyadékba nyúlunk, vagy amikor beledobjuk a leveskockát.
14. Az ételkészítés során ügyeljünk arra, hogy egyes étel-típusok, pl. karácsonyi puding, lekvár vagy darált hús, nagyon gyorsan felmelegszenek. Amikor nagy zsír- vagy cukortartalmú ételt melegítünk vagy főzünk, ne használjunk műanyag edényt.
15. A mikrohullámú sütőben való ételkészítés során használt segédeszközök erősen felmelegedhetnek, mivel az étel hőt ad le. Ez különösen érvényes abban az esetben, ha az edény teteje és fülei műanyag fedővel vannak bevonva, vagy műanyag bevonattal rendelkeznek. Az ilyen edényekhez szükséges lehet konyhai kesztyű használata.
16. A sütő belsejében esetlegesen fellépő tűzveszély csökkentése érdekében:
  - a) ügyeljünk arra, hogy ne főzzük az ételeket túl hosszú ideig. Felügyeljük a melegítés folyamatát, ha a sütőben papír, műanyag vagy más gyúlékony anyagból készült segédeszközök vannak.
  - b) Mielőtt a zacskót a sütőbe tesszük, távolítsuk el az azt lezáró fémhuzalokat.
  - c) Ha a sütőben lévő tárgy kigyullad, hagyjuk zárva a sütő ajtaját, kapcsoljuk ki a készüléket, húzzuk ki a villásdugót a konnektorból, vagy kapcsoljuk ki a biztosíték-tábla fő biztosítékát.

# A SÜTŐ ÁBRÁJA



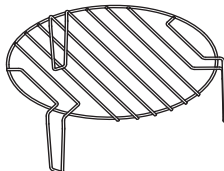
1 - Fokozat-beállító gomb

2 - Idő beállító gomb (0 - 35 perc)



1. Ajtózár
2. Sütő ablak
3. A tálca szegélye
4. Üveg tálca
5. Vezérlő egység
6. Hullámterelő (ne távolítsuk el a hullámterelőt fedő csillámlemez)

Grill rács (Csak a grill vagy kombinált üzemmód esetén kell használni és az üveglapon kell elhelyezni)



# A MŰKÖDÉSRE VONATKOZÓ UTASÍTÁSOK

## A FŐZÉS LEÁLLÍTÁSA

1. **A főzés ideiglenes leállításához:** - nyissuk ki a sütő ajtaját. **Eredmény: a főzés leáll, A főzés folytatásához csukjuk be a sütő ajtaját.**
2. **A főzés végleges leállítása:** forgassuk az idő-beállító gombot a „0” pozícióba.

## KIOLVASZTÁS

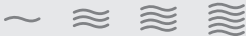


**A kiolvasztás funkció lehetővé teszi húsok, szárnyasok, halak kiolvasztását.** Helyezzük a fagyasztott élelmiszert a forgótányér közepére és csukjuk be a sütő ajtaját.

1. A teljesítmény-fokozat beállító gombot forgassuk „KIOLVASZTÁS” pozícióba.
2. Az idő-beállító gomb elforgatásával állítsuk be a kívánt időtartamot. A készülék világítása ekkor kigyullad.

**MEGJEGYZÉS:** A mikrohullámú sütő a beállított időtartamig működik. A beállított időtartam elteltével hangjelzés lesz hallható. A beállított időtartam bármikor megváltoztatható.

## MIKROHULLÁMÚ FŐZÉS



**A következő folyamat az ételek főzésének és melegítésének módját mutatja be. Mindig ellenőrizzük a főzési beállításokat, mielőtt működés közben magára hagynánk a sütőt.** Helyezzük az ételt a forgótányér közepére, majd csukjuk be a sütő ajtaját.

1. A teljesítmény-fokozat beállító gomb segítségével állítsuk be a teljesítmény-fokozatot 17%, 33%, 55%, 77%, 100%.
2. Az idő-beállító gomb segítségével állítsuk be a főzés időtartamát. A sütő belső világítása ekkor bekapcsol.

## KOMBINÁLT FŐZÉS 1



**A főzési idő 17%-a mikrohullám, 83%-a grillezés. Halak vagy gratinírozott ételek készítéséhez használhatjuk.**

Tegyük fel, hogy 25 percig szeretnénk az 1. kombinált üzemmódot használni. Nyissuk ki a sütő ajtaját és helyezzük be az ételt, majd csukjuk be az ajtót.

1. Forgassuk el a teljesítmény-fokozat beállító gombot COMB 1 pozícióba.
2. Az idő-beállító gomb segítségével állítsuk a főzés időtartamát 25 percre. A sütő belső világítása ekkor bekapcsol.

## KOMBINÁLT FŐZÉS 2



**A főzési idő 30%-a mikrohullám, 70%-a grillezés. Használhatjuk felfűjt, omlett, sült burgonya és szárnyas készítésére.** Tegyük fel, hogy 25 percig szeretnénk a 2. kombinált üzemmódot használni. Nyissuk ki a sütő ajtaját és helyezzük be az ételt, majd csukjuk be az ajtót.

1. Forgassuk el a teljesítmény-beállító gombot COMB 2 pozícióba.
2. Az idő-beállító gomb segítségével állítsuk a főzés időtartamát 25 percre. A sütő belső világítása ekkor bekapcsol

## KOMBINÁLT FŐZÉS 3



**A főzési idő 40%-a mikrohullám, 60%-a grillezés. Használhatjuk felfűjt, omlett, sült burgonya és szárnyas készítésére.** Tegyük fel, hogy 25 percig szeretnénk a 3. kombinált üzemmódot használni. Nyissuk ki a sütő ajtaját és helyezzük be az ételt, majd csukjuk be az ajtót.

1. Forgassuk el a teljesítmény-beállító gombot COMB 3 pozícióba.
2. Az idő-beállító gomb segítségével állítsuk a főzés időtartamát 25 percre. A sütő belső világítása ekkor bekapcsol

## GRILL




**A grill funkció különösen alkalmas vékony hússzeletek, steak, kebab, kolbász, csirke darabok sütésére. Szintén megfelelő melegszendvicsek vagy gratinózott ételek elkészítésére.** Tegyük fel például, hogy 12 percig szeretnénk grillezni. Nyissuk ki a sütő ajtaját és helyezzük be az ételt, majd csukjuk be az ajtót.

1. Forgassuk el a teljesítmény-beállító gombot GRILL pozícióba.
2. Az idő-beállító gomb segítségével állítsuk a sütés időtartamát 12 percre. A sütő belső világítása ekkor bekapcsol

## ÖNTISZTÍTÁS FUNKCIÓ - AQUACLEAN



A sütő rendszeres tisztítására a következő folyamat javasolt: forgassuk el a fokozat-beállító gomb  pozícióba.

Helyezzen be egy pohár - 200ml - vizet és forgassa el a idő beállító gomb az  pozícióba. 5 perc elteltével vegye ki a poharat és törölje át a sütőt száraz ruhával.

1. Tisztítás előtt kapcsoljuk ki a mikrohullámú sütőt és húzzuk ki a villásdugót a konnektorból.
2. A sütő belsejét tartjuk mindig tisztán. Ha ételmaradék, az ételből kifröccsenő saft, vagy kiömlött folyadék szárad rá a sütő falaira, azt nedves rongy segítségével távolítsuk el. Erős tisztítószerek, súrolószerek használata nem javasolt.
3. A sütő külső felületét nedves ruhával tisztíthatjuk. Hogy meg ne sértsük a készülék belső részeit, ügyeljünk arra, hogy ne folyjon be víz a szellőzőnyílásokon.
4. Ügyeljünk rá, hogy a vezérlő panel ne legyen nedves. Puha, nedves ruhával tisztítsuk. A vezérlő panel tisztításához ne használjunk erős tisztítószereket, súrolószereket vagy tisztító sprayket.
5. Ha a készülék belsejében vagy háza körül pára gyűlik fel, nedves ruhával töröljük le. Ez akkor történhet meg, ha a sütőt nagyon nedves helyiségben használjuk és nem jelenti azt, hogy a sütő meghibásodott.
6. Időnként ki kell venni az üveg tányért is és meg kell tisztítani. Tisztíthatjuk meleg vízzel, egy kis tisztítószert hozzáadásával, vagy mosogatógépben.
7. A görgős gyűrűt és a sütő alját (alsó lemez) rendszeresen tisztítani kell, egyébként a sütő működése zajos lesz. A sütő belsejének alsó lapját egyszerűen töröljük át kímélő tisztítószerral, vízzel vagy ablaktisztítóval, majd szárítsuk meg. A görgős gyűrűt tisztíthatjuk meleg vízben, egy kis tisztítószert hozzáadásával, vagy mosogatógépben. Hosszabb használat után a gyűrű görgőin a főzéstől pára gyűlhet fel, ez azonban nincs kihatással a sütő működésére. Ha eltávolítjuk a görgős gyűrűt a sütőből, ügyeljünk arra, hogy megfelelően helyezzük vissza.
8. Az esetleges kellemetlen szagokat úgy távolíthatjuk el a sütőből, hogy egy mély, mikrohullámú sütőben használható edénybe beleöntünk egy pohár vizet és hozzáadjuk egy citrom levét és héját. Ezt követően az edényt 5 percre a sütőbe helyezzük és bekapcsoljuk a sütőt. Ezután alaposan szárítsuk meg a sütő belsejét és töröljük ki puha ruhával.

### KÖRNYEZETVÉDELEM

A feleslegessé vált készülék szelektív hulladékként kezelendő. Kérjük, hivatalos újrahasznosító gyűjtőhelyen adja le, így hozzájárul a környezet védelméhez.

## ELHELYEZÉS

1. Ellenőrizzük, hogy az ajtó belső részéről eltávolítottunk-e minden csomagolóanyagot.
  2. A csomagolás eltávolításakor vizsgáljuk meg a sütőt, nem láthatóak-e rajta sérülések, például:
    - lógó ajtó,
    - sérült ajtó,
    - horpadások vagy lyukak az ajtó üvegében (ablakában), valamint a kijelzőn,
    - horpadások a sütő belsejében.Ha a fenti sérülések bármelyikét észleljük, ne használjuk a sütőt.
  3. A mikrohullámú sütő tömege körülbelül 11 kg. Olyan vízszintes felületen helyezzük el, amely elég erős ahhoz, hogy megtartsa a sütőt.
  4. A sütőt hő- és pára-forrásoktól távol helyezzük el.
  5. Ne tegyünk semmit a sütőre.
  6. A megfelelő szellőzés biztosítása érdekében a sütő két oldalán legalább 20 cm, fölötte pedig legalább 30 cm rés kell hogy legyen.
  7. Ne távolítsuk el a forgó alátét hajtótengelyét.
  8. Mint minden más készülék esetében, itt is gondos felügyeletre van szükség, ha a sütőt gyerekek használják.
- FIGYELEM: A KÉSZÜLÉKET FÖLDELNI SZÜKSÉGES.
9. A konnektor, amelyikbe a készüléket csatlakoztatjuk, könnyen elérhető kell, hogy legyen.
  10. A sütőnek 1,3 kVA bemeneti teljesítményre van szüksége. A sütő elhelyezésekor javasolt szerelővel vagy megfelelő szakemberrel konzultálni.

**FIGYELEM: A sütő saját védelemmel, 250V, 8A biztosítókkal rendelkezik.**



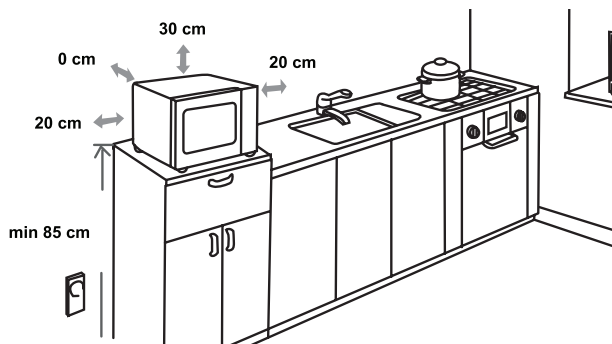
## SPECIFIKÁCIÓ

Energia-felhasználás.....	220-240V-50Hz, 1280W
Kimeneti teljesítmény.....	800W
Grill-égő.....	1000W
Működési frekvencia.....	2450MHz
Külső méretek.....	455 x 353 x 261 mm
Sütő-űrtartalom.....	20 liter
Tömeg csomagolás nélkül.....	Kb 11 kg
Zajkibocsátás.....	Lc < 58 dB (A)



**A készülék a hulladék elektromos és elektronikus felszerelésekről szóló 2012/19/EU (WEEE) direktívának megfelelően jelölve van. A direktíva meghatározza a hulladék elektromos és elektronikus felszerelések gyűjtésével és kezelésével kapcsolatos, az Európai Unióban érvényes követelményeket.**

## A BEÉPÍTÉS MENETE



## RÁDIÓ-ZAVAROK (INTERFERENCIA)

A mikrohullámú sütő vételi zavarokat okozhat a rádió- és televízió-készülékeknél, valamint hasonló szerkezeteknél. Amennyiben ilyen jellegű zavar (interferencia) lép fel, azt a következő módokon lehet elhárítani vagy csökkenteni:

- Tisztítsuk meg a sütő ajtaját és tömítéseinek felületét.
- Helyezzük a rádió- vagy televízió-készüléket minél messzebb a sütőtől.
- A rádió- illetve televízió-készülékhez használjunk megfelelően elhelyezett antennát, amely a jelek erős vételét teszi lehetővé.

A KÉSZÜLÉK FUNKCIONALITÁSÁT NEM BEFOLYÁSOLÓ  
VÁLTOZTATÁSOK JOGÁT FENNTARTJUK..

## MIELŐTT SZERELŐT HÍVNÁNK

1. Ha a sütő egyáltalán nem működik, ha a kijelzőn semmi nem jelenik meg, vagy ha a kijelző kikapcsol:
  - a) Ellenőrizzük, hogy a sütő megfelelően csatlakoztatva van-e az elektromos hálózathoz. Ha nincs, húzzuk ki a villásdugót a konnektorból, várjunk 10 másodpercet és dugjuk be újból.
  - b) Ellenőrizzük, hogy az elektromos hálózatban nem égett-e ki egy biztosíték, illetve hogy a főbiztosítéknál nem szakadt-e meg az áram-ellátás. Ha a biztosítékokon nem látható semmilyen hiba, próbáljuk ki a villásdugót valamilyen más készülékkel.
2. Ha a mikrohullámú sütő nem melegít, azaz nem ad le mikrohullámú energiát:
  - a) Ellenőrizzük, hogy a programozó óra megfelelően van-e beállítva.
  - b) Ellenőrizzük, hogy az ajtó megfelelően be van-e csukva. Ha nincs, nem fog mikrohullámú energia felszabadulni.

**Ha a fenti tanácsok segítségével sem tudtuk elhárítani a hibát, vegyük fel a kapcsolatot a legközelebbi szakszervizzel.**

## JÓTÁLLÁS ÉS SZERVIZ

Ha információra van szüksége, vagy forduljon az adott ország Gorenje vevőszolgálatához (a telefonszámot megtalálja a világszerte érvényes garancialevélen). Ha országában nem működik vevőszolgálat, forduljon a Gorenje helyi szaküzletéhez vagy a Gorenje háztartási kisgépek és szépségápolási termékek üzletágának vevőszolgálatához.

### **Csak személyes használatra!**

Kiegészítő sütési javaslatokat és egyéb hasznos információkat a mikrohullámú sütőhöz megtalálhatja a következő web-oldalon:

<http://www.gorenje.hu>

**SOK ÖRÖMET KÍVÁN ÖNNEK MIKROHULLÁMÚ SÜTŐJE HASZNÁLATA SORÁN!**

# gorenje

## SZANOWNI PAŃSTWO

Dziękujemy za zaufanie jakim obdarzyliście nas Państwo, kupując nasz piekarnik. Przekonajcie się Państwo sami, że na naszych wyrobach możecie polegać. Abyście Państwo łatwiej zrozumieli działanie urządzenia, dodaliśmy dokładnie napisaną instrukcję obsługi.

Instrukcja ta powinna Wam ułatwić zaznajomienie się z Waszym nowym urządzeniem. Prosimy, abyście przed pierwszym uruchomieniem urządzenia dokładnie przeczytali instrukcję obsługi.

Prosimy o sprawdzenie czy urządzenie, które otrzymaliście jest nieuszkodzone. W przypadku uszkodzenia powstałego podczas transportu, należy zwrócić się do sprzedawcy u którego urządzenie zostało kupione lub do okręgowego magazynu skąd urządzenie zostało dostarczone. Numer telefonu, znajdziecie Państwo na rachunku lub kwicie dostawy.

Życzymy Państwu wiele zadowolenia przy użytkowaniu Waszego nowego urządzenia.



Urządzenie przeznaczone jest do użytku w gastronomii. Oddziaływaniem energii elektromagnetycznej, służy wyłącznie do podgrzewania żywności oraz napojów. Kuchenki należy używać tylko w zamkniętych pomieszczeniach.

## INSTRUKCJA OBSŁUGI

Instrukcja obsługi przeznaczona jest dla użytkownika. Zawiera opis urządzenia i sposób jego użytkowania. Instrukcja odnosi się do różnych typów urządzeń dlatego też może zawierać opisy funkcji, których urządzenie państwa nie posiada.



Nigdy nie dotykaj powierzchni ogrzewania lub urządzenia do gotowania. Staną się nagrzewa podczas pracy. Trzymaj dzieci w bezpiecznej odległości. Istnieje ryzyko spalania!



Źródło promieniowania mikrofal i wysokiego napięcia. Nie zdejmować obudowy.

**OSTRZEŻENIE!** Urządzenie i jego dostępne części nagrzewają się podczas użytkowania. Należy użytkować urządzenie ostrożnie, aby ich nie dotykać. Dzieci poniżej 8 roku życia nie powinny zbliżać się do urządzenia bez ciągłego nadzoru. Urządzenie może być użytkowane przez dzieci powyżej 8 roku życia oraz osoby o ograniczonych możliwościach fizycznych lub umysłowych, przez osoby niedoświadczone lub o niewystarczającej wiedzy pod warunkiem, że korzystają z urządzenia pod nadzorem lub zostały poinstruowane w zakresie bezpiecznej obsługi urządzenia i znają niebezpieczeństwa związane z użytkowaniem urządzenia. Należy dopilnować, aby dzieci nie bawiły się urządzeniem. Dzieci powyżej 8 roku życia nie mogą czyścić i przeprowadzać konserwacji urządzenia bez nadzoru. Dzieci poniżej 8 roku życia nie powinny zbliżać się do urządzenia raz przewodu zasilającego.

- **UWAGA:** Podczas korzystania z funkcji mikrofales + grill dochodzi do znacznego wzrostu temperatury. W tym wypadku zaleca się, by dzieciom podczas użytkowania kuchenki towarzyszyła osoba dorosła (tylko dla kuchenek posiadających funkcję grilowania).
- **UWAGA:** Jeśli uszkodzone są drzwiczki lub powierzchnie

uszczelniające, kuchenka nie powinna być uruchamiana do czasu jej naprawy przez wykwalifikowaną osobę.

- **UWAGA:** Wykonywanie jakichkolwiek czynności serwisowych lub naprawczych związanych ze zdejmowaniem którejkolwiek z pokryw lub części obudowy, dających osłonę przed energią mikrofalową jest niebezpieczne dla każdego i łączy się z ryzykiem. Dlatego tego rodzaju czynności powinna dokonywać wyłącznie osoba wykwalifikowana.
- **UWAGA:** Cieczy i innych artykułów żywnościowych nie wolno ogrzewać w szczelnych pojemnikach, gdyż są one podatne na eksplozję.
- Usuwanie nóżek kuchenki oraz pokrywanie odwietrzników jest zabronione.
- Do gotowania należy używać wyłącznie naczyń i przyrządów specjalnie przeznaczonych do zastosowania w kuchenkach mikrofalowych.
- Podczas podgrzewania żywności w pojemnikach plastikowych lub papierowych, należy często sprawdzać proces gotowania ze względu na możliwość zapłonu pojemników.
- W przypadku pojawienia się dymu, wyłączyć kuchenkę lub odłączyć ją od sieci zasilania i nie otwierać drzwiczek, by stłumić możliwe płomienie.
- Mikrofalowe podgrzewanie napojów może powodować opóźnione nagłe wykipienie, dlatego też zaleca się uważne manipulowanie naczyniami w których były one podgrzewane.
- Po podgrzaniu pożywienia dla dzieci (niemowląt) w butelkach lub słoikach (bez zakrętki i smoczka), należy zawartość dobrze wymieszać lub wstrząsnąć. Przed podaniem pożywienia należy sprawdzić jego temperaturę, aby uniknąć możliwości oparzeń.

- Nie należy gotować jajek w skorupie ani podgrzewać ugotowanych jajek na twardo, gdyż mogą pęknąć, nawet po zakończonym już podgrzewaniu.
- Do czyszczenia drzwiczek kuchenki, powierzchni uszczelniających oraz wnętrza, należy używać łagodnych środków czyszczących oraz gąbek lub miękkich szmatek.
- Kuchenkę mikrofalową należy systematycznie i dokładnie czyścić, oraz usunąć z jej wnętrza resztki jedzenia.
- Nieregularna pielęgnacja kuchenki mikrofalowej może spowodować uszkodzenia jej powierzchni, co z kolei może ujemnie wpłynąć na wiek trwania urządzenia, oraz może wywołać niebezpieczeństwo.
- W przypadku uszkodzenia przewodu zasilającego, wymiany może dokonać producent, autoryzowany serwis lub odpowiednio do tego celu wykwalifikowana osoba.
- Nie pozostawiaj przewodu sieciowego zwisającego z krawędzi stołu lub blatu kuchennego.
- W celu uniknięcia niebezpiecznych sytuacji nie należy podłączać tego urządzenia do zewnętrznego włącznika czasowego lub układu zdalnego sterowania.
- Nie należy samodzielnie wymieniać lampy kuchenki ani zezwalać na wykonanie tej czynności osobie nieautoryzowanej przez serwis. W przypadku awarii lampy kuchenki należy skontaktować się ze sprzedawcą lub autoryzowanym serwisem GORENJE.
- **OSTRZEŻENIE:** Do czyszczenia kuchenki mikrofalowej nie należy używać dostępnych w sprzedaży środków czyszczących do kuchenek, urządzeń do czyszczenia parowego, środków ściernych, druciaków, agresywnych środków czyszczących, środków zawierających wodorotlenek sodu.

## WSKAZÓWKI DOTYCZĄCE BEZPIECZNEGO UŻYTKOWANIA KUCHENKI

Poniżej podane zostały niektóre zasady i wskazówki dotyczące bezpieczeństwa, które (podobnie jak w przypadku użytkowania innych urządzeń elektrycznych) należałoby uwzględnić. Zapewni to bezpieczne i najskuteczniejsze działanie kuchenki.

1. Always have the glass tray, roller arms, coupling and roller tr1. Podczas działania kuchenki talerz obrotowy, nośniki rolek, podstawek (sprzęgło) i pierścień zawsze powinny być umieszczone na swoim miejscu.
2. Kuchenki należy używać wyłącznie do przyrządzania potraw. Nie wolno używać jej do suszenia ubrań, papieru lub innych przedmiotów. Nie nadaje się ona również do procesu sterylizacji przedmiotów czy żywności.
3. Nie wolno włączać pustej kuchenki, gdyż może to spowodować jej uszkodzenie.
4. W wnętrzu kuchenki nie należy przechowywać przedmiotów, a w szczególności książek kucharskich, gazet itp.
5. Potrawy, które posiadają błonę, czy otacza ich skórka tj. żółtka, ziemniaki, wątróbki drobiowe i tym podobne, należy przed gotowaniem kilkakrotnie nakłóć widelcem.
6. Do otworów znajdujących się po zewnętrznej stronie kuchenki nie wolno wkładać żadnych przedmiotów.
7. Z kuchenki nie wolno usuwać żadnych części, takich jak nożyki, śruby, złącza itp.
8. Potraw nie należy gotować bezpośrednio na szklanym talerzu. Żywność zawsze należy włożyć do odpowiedniego naczynia.

**WAŻNE:** W kuchenke mikrofalowej nie należy używać:

- naczyń metalowych lub naczyń z metalowymi uchwytnymi.
- naczyń z metalowym wykończeniem lub dekoracją.
- klamer drucianych powlekanych papierem do wiązania worków foliowych.
- naczyń z melaminu, ponieważ zawierają one substancje wchłaniające energię mikrofalową. Grozi to pęknięciem naczynia lub jego zwęgleniem. Co więcej, przedłuża to czas przygotowywania żywności.
- naczyń, których powierzchnia nie jest przystosowana do użycia w kuchenke mikrofalowej. Nie należy również używać zamkniętych filiżanek z uchwytnymi.
- pojemników o małych otworach lub butelek z wąskimi szyjkami, gdyż mogą one podczas podgrzewania pęknąć.
- zwykłych termometrów do mięsa lub wypieków. Na rynku dostępne są specjalne termometry, które przystosowane są do zastosowania w kuchenkach mikrofalowych.

9. Przyrządy przeznaczone do użycia w kuchence mikrofalowej należy używać zgodnie z instrukcją obsługi ich producenta.
10. Kuchenka mikrofalowa nie nadaje się do smażenia potraw.
11. Należy pamiętać, iż energia mikrofalowa nie nagrzewa naczyń w których przygotowywana jest żywność. Mimo iż naczynie, będzie na dotyk chłodne, temperatura artykułu żywnościowego będzie tak samo wysoka jak po zwykłym gotowaniu. Dlatego po odsłonięciu (chłodnej) przykrywki potrawa będzie parować.
12. Przed spożyciem należy sprawdzić temperaturę żywności, szczególnie jeśli chodzi o artykuły żywnościowe dla dzieci i niemowląt. Radzi się, aby po wyjęciu żywności z kuchenki poczekać kilka minut, potrawę należy przemieszać lub wstrząsnąć aby temperatura pożywienia była równomiernie rozprowadzona.
13. Żywność zawierającą tłuszcze i wodę należy po wyłączeniu się kuchenki przetrzymać w niej przez kolejnych 30 - 60 sekund. Spowoduje to uspokojenie się składników. Potrawa po wstawieniu do niej łyżki lub dodaniu kostki Maggi nie będzie się pieniła.
14. Należy pamiętać, że czas przygotowywania niektórych potraw (np. budyniu wigilijnego, marmolady lub mielonego mięsa), jest krótszy w porównaniu z ich tradycyjnym przygotowywaniem. Do podgrzewania potraw zawierających dużą ilość tłuszczu lub cukru nie wolno używać naczyń z tworzyw sztucznych.
15. Mimo, iż energia mikrofalowa nie nagrzewa naczyń, naczynie może absorbować ciepło pochodzące z potrawy. Najczęściej pojawia się to w przypadku pokrycia żywności folią. By zapobiec poparzeniom, zaleca się używanie rękawiczek ochronnych, podczas wyjmowania naczyń z kuchenki.
16. Aby zmniejszyć możliwość wystąpienia pożaru w komorze kuchenki:
  - a) Należy dokładnie określić czas przygotowywania żywności i uważać by jej nie podgrzewać za długo. Uważnie należy sprawdzać proces podgrzewania żywności jeśli używamy do tego przyrządów papierowych, z tworzyw sztucznych lub innych łatwo palnych materiałów.
  - b) Należy usunąć druciane spinki czy sznurki, którymi związana jest pakowana w woreczkach żywność.
  - c) Nie wolno otwierać drzwiczek kuchenki w przypadku zapalenia się wsadu. Kuchenkę należy natychmiast odciąć od zasilania prądu przez wyciągnięcie wtyczki z gniazdka lub przez odkręcenie bezpiecznika z głównej tablicy rozdzielczej.



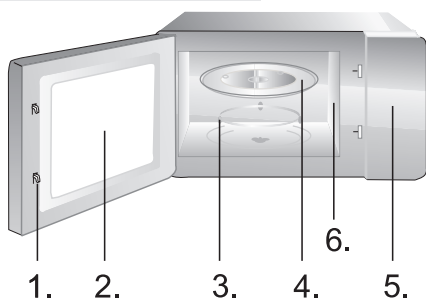
# OPIS KUCHENKI



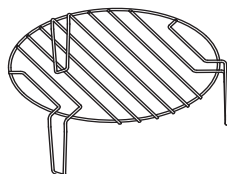
1 - Pokrętko ustawienia mocy mikrofal



2 - Pokrętko ustawienia czasu (0 - 35 minut)



1. Ochronny system zatrząsków drzwi
2. Okno kuchenki
3. Pierścień łożyska
4. Szklany talerz
5. Panel sterujący
6. Prowadnica falowa (prosimy, aby nie usuwać płyty krzemionkowej, która chroni prowadnicę falową).



Kratka do grillowania (można jej używać jedynie do funkcji grillowania lub w połączeniu z funkcją mikrofa. Należy ją zawsze jedynie postawić na szklany talerz).

# INSTRUKCJA OBSŁUGI

## CHWILOWE ZATRZYMANIE/ CAŁKOWITE ZATRZYMANIE GOTOWANIA

1. W celu chwilowego zatrzymania (przerwania) gotowania, należy otworzyć drzwiczki i proces gotowania zostanie zatrzymany, aby kontynuować, drzwiczki należy zamknąć.
2. W celu całkowitego zatrzymania (odwołania) gotowania, należy obrócić pokrętkę ustawienia czasu na pozycję 0.

## ROZMRAŻANIE JEDZENIA

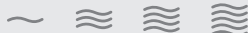


**Funkcja rozmrażania umożliwi rozmrażanie mięsa, drobiu i ryb.** Zamrożone jedzenie należy położyć na środku w kuchence i zamknąć drzwiczki.

1. Pokrętkę ustawienia mocy mikrofal należy przestawić do pozycji »ROZMRAŻANIE«.
2. Za pomocą pokrętki ustawienia czasu, należy wybrać żądany czas.

**UWAGA:** Po upływie nastawionego czasu słycać będzie sygnał dźwiękowy. Czas ten można zmienić w dowolnym momencie.

## GOTOWANIE/ PODGRZEWANIE



**Poniższa procedura opisuje, jak należy ugotować lub podgrzać jedzenie. ZAWSZE należy sprawdzić ustawienia gotowania, zanim odejdzie się od działającej kuchenki.** Jedzenie należy położyć na środku kuchenki i zamknąć drzwiczki.

1. Za pomocą pokrętki ustawienia mocy mikrofal, należy ustawić poziom mocy 17%, 33%, 55%, 77%, 100%.
2. Za pomocą pokrętki ustawienia czasu należy wybrać odpowiedni czas gotowania. Lampka wewnątrz kuchenki zacznie świecić.
3. W czasie gotowania, obracając pokrętkę ustawienia mocy mikrofal, można zmienić moc mikrofal.

## DZIAŁANIE KOMBINOWANE 1



**W tym trybie 20 % czasu kuchenka będzie działała z użyciem mikrofal, a 80 % czasu z użyciem grilla. Ten sposób działania zaleca się do przygotowywania ryb lub zapiekanych potraw.** Chcąc, na przykład, ustawić kombinowane działanie na 25 minut, należy:

1. otworzyć drzwiczki kuchenki i potrawę postawić na ruszcie. Zamknąć drzwiczki kuchenki;
2. pokrętkę obrócić do pozycji »DZIAŁANIE KOMBINOWANE 1«;
3. za pomocą pokrętki ustawienia czasu wybrać odpowiedni czas gotowania (25 min). Lampka wewnątrz kuchenki zacznie świecić.

## DZIAŁANIE KOMBINOWANE 2



**W tym trybie 30 % czasu kuchenka będzie działała z użyciem mikrofal, a 70 % czasu z użyciem grilla. Ten sposób działania zaleca się do przygotowywania puddingów, zapiekanego ryżu, omeletów, pieczonych ziemniaków oraz potraw z drobiu.**

Chcąc, na przykład, ustawić kombinowane działanie na 25 minut, należy:

1. otworzyć drzwiczki kuchenki i potrawę postawić na ruszcie. Zamknąć drzwiczki kuchenki;
2. pokrętko obrócić do pozycji »DZIAŁANIE KOMBINOWANE 2«;
3. za pomocą pokrętki ustawienia czasu wybrać odpowiedni czas gotowania (25 min). Lampka wewnątrz kuchenki zacznie świecić.

## DZIAŁANIE KOMBINOWANE 3



**W tym trybie 40 % czasu kuchenka działała z użyciem mikrofal, a 60 % czasu z użyciem grilla. Ten sposób działania zaleca się do przygotowywania puddingów, zapiekanego ryżu, omeletów, pieczonych ziemniaków oraz potraw z drobiu.** Chcąc, na przykład, ustawić kombinowane działanie na 25 minut, należy:

1. otworzyć drzwiczki kuchenki i potrawę postawić na ruszcie. Zamknąć drzwiczki kuchenki;
2. pokrętko obrócić do pozycji »DZIAŁANIE KOMBINOWANE 3«;
3. za pomocą pokrętki ustawienia czasu wybrać odpowiedni czas gotowania (25 min). Lampka wewnątrz kuchenki zacznie świecić.

## GRILL





**Gotowanie bądź pieczenie na grillu jest szczególnie zalecane w przypadku cienkich plastrów mięsa, kotletów, bitek, szaszłyków, kiełbas lub kawałków kurczaka. Grill jest doskonały również do przygotowywania zapiekanek z chleba oraz zapiekanych potraw.** Chcąc, na przykład, przygotowywać potrawy z grilla przez 12 minut, należy:

1. otworzyć drzwiczki kuchenki i potrawę postawić na ruszcie. Zamknąć drzwiczki kuchenki;
2. pokrętko obrócić do pozycji »GRILL«;
3. za pomocą pokrętki ustawienia czasu wybrać odpowiedni czas gotowania (25 min). Lampka wewnątrz kuchenki zacznie świecić.

## AUTOMATYCZNE CZYSZCZENIE -



Do regularnego czyszczenia piekarnika polecamy następującą procedurę: Pokrętko ustawienia mocy mikrofal przestawić na pozycję .

Do szklanki należy nalać 200 ml wody i pokrętko ustawienia czasu ustawić w pozycji . Po zakończeniu programu usunąć szklankę i szklany talerz, a wnętrze kuchenki oczyścić suchą ściereczką.

# PIELĘGNACJA KUCHENKI MIKROFALOWEJ - CZYSZCZENIE I KONSERWACJA

1. Przed przystąpieniem do czyszczenia należy kuchenkę obowiązkowo wyłączyć i wyciągnąć kabel zasilający z gniazdka.
2. Wnętrze kuchenki powinno być zawsze czyste. Jeżeli po zakończonym gotowaniu na ściankach kuchenki zostały okruszki potraw lub krople płynu, powinno się je wytrzeć wilgotną szmatką. Do czyszczenia należy używać łagodnych środków czyszczących. Nie zaleca się używania silnych detergentów oraz środków ściernych.
3. Powierzchnię zewnętrzną należy czyścić wilgotną ściereczką. Aby zapobiec uszkodzeniom lub awarii części znajdujących się wewnątrz kuchenki, należy uważać by woda lub inne płyny nie dostały się do odwietrzników.
4. Nie wolno zmoczyć panelu sterującego. Należy czyścić go miękką, wilgotną ściereczką. Nie powinno się używać silnych środków czyszczących, środków ściernych, jak również środków czyszczących w aerosolu.
5. Jeśli na wewnętrznych lub zewnętrznych powierzchniach kuchenki osiada para, należy zetrzeć ją miękką ściereczką. Para pojawia się, gdy kuchenka umieszczona jest w środowisku bardzo wilgotnym. Nie oznacza to jednak usterki jej działania lub jej uszkodzenia.
6. Od czasu do czasu należy oczyścić również szklany talerz. Można umyć go w ciepłej wodzie i płynem do naczyń lub w zmywarce do naczyń.
7. Aby zapobiec powstawaniu hałasu podczas pracy kuchenki, należy regularnie czyścić pierścien łożyska i dolną część komory kuchenki. Zaleca się, aby wnętrze kuchenki czyścić łagodnymi środkami, wodą lub środkiem do mycia powierzchni szklanych. Po czym, należy ją starannie wysuszyć. Podczas przygotowywania żywności w wnętrzu kuchenki kumuluje się para, która wydostaje się z potraw. Para nie wywiera żadnego wpływu ani na wewnętrzne powierzchnie kuchenki ani na pierścien łożyska. Po usunięciu pierścienia łożyska podczas czyszczenia kuchenki należy uważać aby później został on umiejscowiony prawidłowo na pierwotne miejsce.
8. W celu usunięcia nieprzyjemnych zapachów w kuchence należy umieścić w niej głębokie naczynie (przystosowane do użytku w kuchence mikrofalowej) z wodą. Do wody należy wycisnąć sok jednej cytryny i dodać pozostałą skórkę. Gotować przez 5 minut. Po zakończonym gotowaniu należy kuchenkę dokładnie i starannie osuszyć za pomocą miękkiej ściereczki.

Urządzenia po upływie okresu eksploatacyjnego nie należy usunąć wraz ze zwykłymi odpadami komunalnymi, lecz oddać na urzędowo określone składowisko do recyklingu. Postępując w ten sposób, przyczyniają się Państwo do zachowania czystego środowiska.

## WBUDOWANIE KUCHENKA MIKROFALOWA

### INSTALACJA

1. Należy przekonać się, że opakowanie zostało usunięte, przede wszystkim z wnętrza komory i z wewnętrznej strony drzwiczek.
2. Po rozpakowaniu kuchenki należy upewnić się, że kuchenka nie posiada następujących uszkodzeń:
  - pochyłe drzwiczki,
  - uszkodzone drzwiczki,
  - wgniecenia lub dziury w szkłe (oknie) na drzwiczkach lub wyświetlaczu,
  - wgniecenia w komorze kuchenki.Kuchenki mikrofalowej nie należy używać, jeśli znalezione zostanie któreś z podanych wyżej uszkodzeń.
3. Ciężar kuchenki mikrofalowej wynosi około 11 kg; zaleca się, aby kuchenkę mikrofalową umieścić na twardej, stabilnej powierzchni poziomej, która będzie w stanie utrzymać jej ciężar.
4. Kuchenkę należy umieścić zdala od źródeł wysokich temperatur i pary.
5. Na kuchence nie powinno stawiać się niczego.
6. Kuchenka mikrofalowa powinna być ustawiona tak, aby jej tylna część oddalona była od ściany o co najmniej 20 cm, natomiast przedmioty lub ściany po jej bokach winny być w odległości przynajmniej 30 cm. Taki sposób ustawienia kuchenki gwarantuje najlepszą wentylację.
7. **NIE WOLNO USUWAĆ** podstawy obrotowej talerza.
8. Gniazdko elektryczne powinno być łatwo dostępne, aby w sytuacji awaryjnej można było szybko odłączyć urządzenie. Ewentualnie należy umożliwić odłączenie kuchenki od źródła zasilania, podłączając wyłącznik do instalacji zgodnie z odpowiednimi zaleceniami dotyczącymi okablowania. Podłącz urządzenie do jednofazowego źródła zasilania prądem zmiennym o napięciu 230 V/50 Hz za pośrednictwem prawidłowo zamontowanego i uziemionego gniazdka. **OSTRZEŻENIE! URZĄDZENIE NALEŻY BEZWZGLĘDNIE UZIEMIĆ!** Producent nie ponosi odpowiedzialności za nieprzestrzeganie tego zalecenia dotyczącego bezpieczeństwa.

9. Kuchenka mikrofalowa wymaga mocy 1,3 kVA - przed podłączeniem należy zasięgnąć porady pracownika punktu serwisowego lub wykwalifikowanej osoby.

**UWAGA: Kuchenka mikrofalowa jest zabezpieczona. Posiada ona wewnętrzny bezpiecznik o właściwościach: 250V, 8A.**

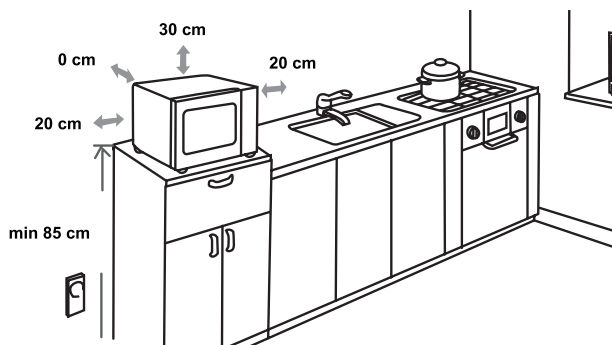
## DANE TECHNICZNE

Zasilanie elektryczne.....	220-240V-50Hz, 1280W
Moc użyteczna.....	800W
Moc grilowania, grzałka grilowa .....	1000W
Częstotliwość robocza .....	2450MHz
Wymiary zewnętrzne.....	455 x 353 x 261 mm
Pojemność kuchenki.....	20 litrów
Waga netto.....	około 11 kg
Poziom hałasu.....	Lc < 58 dB (A)



**Urządzenie to oznaczono zgodnie z europejską wytyczną 2012/19/EU o zużytych urządzeniach elektrycznych i elektronicznych (waste electrical and electronic equipment - WEEE). Wytyczna ta określa ramy obowiązującego w całej Unii Europejskiej odbioru i wtórnego wykorzystania starych urządzeń.**

## PROCEDURA ZABUDOWY



## ZAKŁÓCENIA W ODBIORZE FAL RADIOWYCH I TELEWIZYJNYCH

Kuchenka mikrofalowa może spowodować zakłócenia w działaniu odbiorników telewizyjnych, radiowych itp. By usunąć lub zmniejszyć zakłócenia, należy:

- Oczyścić drzwiczki kuchenki i powierzchnie uszczelek.
- Umieścić odbiorniki telewizyjne lub radiowe jak najdalej od kuchenki mikrofalowej.
- Wyposażyć odbiorników w anteny i umieszczenie ich w sposób, który umożliwi najsilniejszy odbiór

PRODUCENT ZACHOWUJE PRAWO DO WPROWADZANIA ZMIAN NIE WPŁYWAJĄCYCH NA FUNKCJONALNOŚĆ URZĄDZENIA.

## PRZED WEZWANIEM SERWISU

1. Jeśli kuchenka nie działa, jeśli wyświetlacz wyłączył się lub nie wyświetla komunikatów:
  - a) Należy sprawdzić czy urządzenie jest prawidłowo podłączone do sieci zasilania elektrycznego. Jeśli nie, należy wyciągnąć przewód elektryczny kuchenki z gniazdka zasilania elektrycznego i po 10 sekundach powtórnie włączyć urządzenie.
  - b) Należy sprawdzić bezpieczniki i gniazdko przewodu zasilającego. Gniazdko najłatwiej sprawdzić, podłączając do niego inne urządzenie elektryczne.
2. Jeśli kuchenka nie grzeje tzn. nie dochodzi do emisji energii mikrofalowej, należy:
  - a) Sprawdzić ustawienie timera.
  - b) Sprawdzić, czy drzwiczki kuchenki zostały domknięte a zamki bezpieczeństwa zamknięte. W przeciwnym razie emisja energii mikrofalowej została uniemożliwiona.

**W przypadku nie możliwości rozwiązania problemu, mimo wykonania w/w czynności, należy zwrócić się do autoryzowanego punktu serwisowego.**

## GWARANCJA I SERWIS NAPRAWCZY

W celu uzyskania informacji lub w razie problemów z urządzeniem, zwrócić się do centrum pomocy użytkowników Gorenja w danym państwie (numer telefonu znajduje się na międzynarodowej karcie gwarancyjnej). Jeżeli w danym kraju nie ma takiego centrum, należy zwrócić się do lokalnego sprzedawcy Gorenja lub Działu małych urządzeń AGD.

### Wyłącznie do własnego użytku!

Dodatkowe zalecenia i wskazówki dotyczące pieczenia za pomocą mikrofal i grilla znajdują się na stronie internetowej:

<http://www.gorenje.pl>

**WIELE SATYSFAKCJI Z KORZYSTANIA KUCHENKI  
MIKROFALOWEJ ŻYCZY PAŃSTWU**

# gorenje

---

## ESTIMADA(O) CLIENTE,

Agradecemos-lhe por ter comprado um forno da nossa marca e felicitamo-lo pela sua escolha.

Para facilitar-lhe a utilização do seu novo forno, redigimos um manual pormenorizado; ajudá-lo-á a familiarizar com o mesmo. Recomendamo-lhe a lê-lo atentamente antes de colocar o seu forno em serviço.

Verifique primeiro que o seu forno chegou em bom estado. No caso de danos ocorridos durante o transporte, é favor contactar imediatamente a sua loja. Encontrará o seu número de telefone na fatura ou na nota de entrega que lhe foi entregue aquando da compra.

Desejamos-lhe que desfruta ao máximo do prazer de cozinhar com o seu novo forno.



Este forno é destinado para um uso doméstico para o aquecimento, a cozedura e o descongelamento dos alimentos e das bebidas com ondas eletromagnéticas.

Não deve ser utilizado ao ar livre.

---

## MANUAL DE UTILIZAÇÃO

Este manual destina-se ao utilizador. Descreve o forno e a sua forma de utilização. Este manual é redigido para diferentes modelos e é portanto possível que descreve funções que o seu forno não dispõe.





Nunca toque nos elementos aquecedores dos fornos de cozedura. Tornam-se extremamente quentes durante o funcionamento. Mantenha as crianças numa distância de segurança. Existe um risco de queimadura!



Energia micro-ondas e alta tensão! Não retire o painel de proteção contra a exposição aos micro-ondas.

**AVISO:** As crianças a partir de 8 anos e as pessoas com capacidades físicas, sensoriais ou mentais reduzidas, ou com falta de experiência e de conhecimentos, podem utilizar este forno sob vigilância, sob condição de ter recebida instruções sobre a forma como utilizar em toda a segurança e de ter compreendido os riscos aos quais se expõem. As crianças não devem brincar com o forno nem proceder sem vigilância à sua limpeza e à sua manutenção.

O forno e os seus elementos acessíveis tornam-se quentes durante a utilização. Tenha muito cuidado em não tocar nas resistências. Mantenha as crianças menores de 8 anos afastadas do forno, excepto se as vigiar permanentemente.

- **AVISO:** quando o forno funciona em modo combinado, as crianças apenas devem usar o mesmo sob a vigilância de um adulto devido à temperatura elevada gerada pelo grelhador. (Esta instrução aplica-se apenas nos modelos com a função grelhador).
- **AVISO:** se a porta ou a junta da porta estiverem danificadas, não utilize o forno enquanto não for reparado por um técnico competente.

- **AVISO:** é perigoso para qualquer outra pessoa que não um técnico proceder a reparações que implica à desmontagem de um painel de proteção contra a exposição no micro-ondas.
- **AVISO:** não se deve aquecer, os líquidos e os outros alimentos em recipientes fechados hermeticamente, porque estes podem explodir.
- Não retire os pés do forno e não obstrua as fendas de ventilação.
- Utilize exclusivamente uma trem de cozinha e utensílios compatíveis com um forno de micro-ondas.
- Quando aquece alimentos em recipientes de plástico ou de papel, esteja sempre atenta ao forno para poder atuar a tempo no caso do recipiente inflamar-se.
- Se vir fumo, pare o forno, desligue-o e deixe a porta fechada para abafar as eventuais chamas.
- O aquecimento das bebidas no micro-ondas pode provocar uma ebulição diferida. É favor manipular os recipientes com precaução.
- De forma a evitar qualquer risco de queimadura, agite os biberões, mexe o conteúdo dos biberões para bebés e teste a temperatura antes do consumo.
- Não ponha a cozer totalmente ovos ou nem em meia cozedura no micro-ondas, porque podem rebentar, mesmo quando a cozedura está terminada.
- Quando limpe a porta, a junta da porta e o interior do forno, utilize exclusivamente detergentes leves não abrasivos que colocará numa esponja ou num pano macio.
- É necessário limpar o forno regularmente e retirar logo qualquer resíduo alimentar.

- A falta de manutenção pode provocar uma deterioração das superfícies, o que pode afetar a duração de vida do forno e levar a certos riscos.
- Se o cabo elétrico estiver danificado, é necessário mandar substituí-lo para evitar qualquer perigo – por um técnico do Serviço Pós Venda ou por um profissional qualificado.
- Nunca limpe a mesa de cozedura com um forno de vapor ou de alta pressão: pode sofrer um choque elétrico.
- O forno não está previsto para ser comandado por um temporizador externo ou um telecomando separado.

Encontrará a seguir uma série de regras a seguir, como para todos os fornos. Permitir-lhe-ão utilizar este forno em toda a segurança e obter performances máximas.

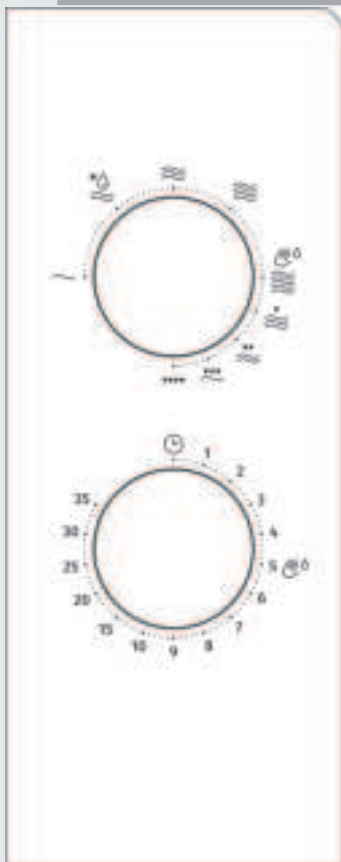
1. Quando se servir do forno, verifique se o prato rotativo, a coroa de rodinhas e o arrastador estão bem no devido lugar.
2. Utilize o forno exclusivamente para a preparação dos alimentos. Não seque no seu interior roupa, papel, ou outra coisa que não produtos alimentares. Não esterilize as conservas.
3. Não ponha a funcionar o forno no vácuo, pode danificá-lo.
4. Não utilize a cavidade do forno como espaço de arrumação para papéis, livros de cozinha, ou outros objetos.
5. Não ponha a cozer alimentos cobertos por uma membrana ou com pele sem a ter perfurada previamente com um garfo: gemas de ovo, fígado de ave, batatas, etc.
6. Não insira nenhum objeto nos orifícios da carroçaria.
7. Nunca desmonte o forno, e não retire os pés, o eixo de arrastamento, os parafusos, etc.
8. Não pouse os alimentos a cozer diretamente no prato de vidro. Coloque-os em recipientes adequados antes de os colocar no forno.

### **IMPORTANTE - UTENSÍLIOS DE COZINHA A NÃO UTILIZAR NO SEU FORNO DE MICRO-ONDAS:**

- Não utilize pratos de metal ou com pegas de metal.
  - Não utilize nenhum recipiente com guarnição de metal.
  - Não utilize pratos de melamina, porque esta matéria absorve a energia dos micro-ondas. Pode abrandar a cozedura e o prato pode racha ou carbonizar.
  - Não ponha a aquecer em garrafas com gargalo estreito, como por exemplo as garrafas de bebidas gasosas ou de molhos para salada, porque podem rebentar no forno de micro-ondas.
  - Se necessitar de utilizar um termómetro de carne ou de açúcar, escolher um que seja especialmente destinado aos micro-ondas. Estes termómetros estão disponíveis no comércio.
9. Utilize os utensílios especiais para micro-ondas segundo as recomendações do fabricante.
  10. Não frite nada neste forno.
  11. Lembre-se que num forno de micro-ondas, o conteúdo do recipiente aquece mais rapidamente do que o próprio recipiente. Por conseguinte, mesmo que a

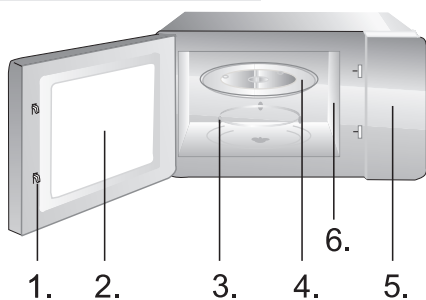
- tampa não lhe parecer muito quente ao toque, o líquido ou os alimentos que estão no interior libertam a mesma quantidade de vapor do que em cozedura convencional; fique prudente quando retire a tampa.
12. Quando aquece um biberão ou alimentos para bebé, teste você próprio a temperatura antes de alimentar a criança. Além disso, recomenda-se de não consumir imediatamente os alimentos ou as bebidas que acabamos de retirar do forno de micro-ondas; deixe-as descançar durante alguns minutos e misture-os para espalhar o calor de forma homogénea.
  13. Os alimentos que contêm água e gordura (por exemplo caldo em cubo) devem ficar 30 a 60 segundos no forno após a paragem do forno. Isso permite à mistura estabilizar-se e evita as fervuras quando se mergulhe uma colher ou que se adicione um caldo em cubo.
  14. Para as suas preparações líquidas e sólidas, lembre-se que alguns alimentos (por exemplo pudding de Natal, doce, carne triturada) aquecem muito rapidamente. Quando põe a cozer ou a aquecer alimentos com muito açúcar ou matéria gorda, não utilize qualquer conteúdo de plástico.
  15. Os recipientes podem ficar escaldantes devido ao calor transmitido pelos alimentos que cozem. Isso é flagrante se cobrir o prato e as pegas com uma película de plástico. Não se esqueça de colocar as luvas de cozinha quando manipula os seus recipientes.
  16. Para evitar que as suas preparações e recipientes incendeiem-se no forno:
    - a) não prolongue inutilmente a cozedura. Vigie o forno enquanto as matérias inflamáveis (papel, plástico) estiverem no interior;
    - b) antes de colocar os alimentos no forno em saquinhos de plástico, retire as ligações que os fecham se estes não tiverem fios metálicos.
    - c) Se deflagrar fogo no interior do forno, deixe a porta fechada, desligue o forno ou desligue-o da fonte de alimentação eléctrica desarmando o disjuntor ou retirando o fusível do quadro eléctrico.

## PAINEL DE COMANDOS

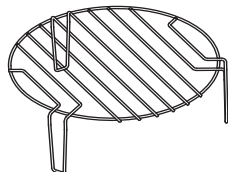


1 - Seletor de potência

2 - Temporizador (0 a 35 minutos)



1. 2. 3. 4. 5. 6.



1. Fecho de segurança da porta
2. Vidro
3. Coroa com rodinhas
4. Prato rotativo de vidro
5. Painel de comandos
6. Espalhador de ondas (não retire a placa em mica que cobre o espalhador).

Tripé (apenas para a cozedura no grelhador ou para a cozedura combinada; deve ficar sempre colocada no prato rotativo).

# FUNCIONAMENTO

## PARAGEM DA COZEDURA

1. **Para interromper temporariamente a cozedura, abra a porta. Resultado: a cozedura pára. Para continuar a cozedura, volte a fechar a porta.**
2. **Para parar definitivamente a cozedura, rode o temporizador para »O«.**

## DESCONGELAMENTO

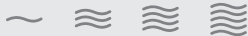


**A função Descongelamento permite descongelar a carne, a ave e o peixe.** Coloque primeiro os alimentos congelados no meio do forno e feche a porta.

1. Rode o seletor de potência em DESCONGELAMENTO.
2. Rode o temporizador para a duração conveniente. A iluminação interior do forno acende-se.

**NOTA:** o forno de micro-ondas funciona até ao fim do tempo ajustado, e depois ouve-se tocar um sinal sonoro. Pode modificar o tempo de cozedura como bem lhe convier.

## COZEDURA NOS MICRO-ONDAS



**O processo abaixo indica-lhe como cozer ou aquecer os alimentos. Verifique sempre os seus ajustes antes de deixar o forno sem vigilância.** Coloque primeiro os alimentos no meio do forno e feche a porta.

1. Ajuste a potência rodando o seletor de potência 17%, 33%, 55%, 77%, 100%.
2. Ajuste a duração de cozedura rodando o temporizador. A iluminação interior do forno acende-se.

## COZEDURA COMBINADA 1



**20% do tempo nos micro-ondas, 80% no grelhador. Convém aos peixes e gratinados.**

Supomos que quer utilizar o modo de Cozedura combinada 1 durante 25 minutos. Abra a porta e ponha o seu prato no forno e depois volte a fechar a porta.

1. Ajuste a potência rodando o seletor para COMB 1.
2. Ajuste a duração de cozedura rodando o temporizador para 25 min. A iluminação interior do forno acende-se.

## COZEDURA COMBINADA 2



**30% do tempo nos micro-ondas, 70% no grelhador.  
Convém para os cremes de sobremesas, soufflés, batatas e aves.**

Supomos que quer utilizar o modo Cozedura combinada 2 durante 25 minutos. Abra a porta e ponha o seu prato no forno e depois volte a fechar a porta.

1. Ajuste a potência rodando o seletor para COMB 2.
2. Ajuste a duração de cozedura rodando o temporizador para 25 min. A iluminação interior do forno acende-se.

## COZEDURA COMBINADA 3



**40% do tempo nos micro-ondas, 60% no grelhador.  
Convém para os pudins, batatas e aves.**

Supomos que quer utilizar o modo Cozedura combinada 3 durante 25 minutos. Abra a porta e ponha o seu prato no forno e depois volte a fechar a porta.

1. Ajuste a potência rodando o seletor para COMB 3.
2. Ajuste a duração de cozedura rodando o temporizador para 25 min. A iluminação interior do forno acende-se.

## GRELHADOR





**A cozedura no grelhador é especialmente útil para a carne em fatias (bifes, costeletas, escalopes), as espetadas, as salsichas e pedaços de frango. Convém igualmente para as sandes quentes e gratinados.**

Supomos por exemplo que quer utilizar o modo Grelhador durante 12 minutos. Abra a porta e ponha o seu prato no forno e depois volte a fechar a porta.

1. Ajuste a potência rodando o seletor para GRIL.
2. Ajuste a duração de cozedura rodando o temporizador para 12 min. A iluminação interior do forno acende-se.

## LIMPEZA AUTOMÁTICA - AQUACLEAN



Para as limpezas diárias, recomenda-se o procedimento seguinte: rodar o seletor de potência na posição . Coloque no prato rotivo um copo cheio com 200 ml de água e rode temporizador para . Passado 5 minutos, retire o copo e limpe o forno com um pano seco.



1. Antes de proceder à limpeza, pare o forno e desligue-o.
2. Mantenha o interior do forno em bom estado de limpeza. Se alguns salpicos aderirem às paredes, remova-as com uma esponja húmida. Os detergentes agressivos ou abrasivos não são recomendados.
3. Limpe a carroçaria com uma esponja húmida. Tente não deixar cair água nas fendas de ventilação para não danificar os componentes do forno.
4. Tente manter o painel de comandos sempre seco. Limpe-o com um pano macio e húmido. Não utilize nenhum detergente, produto abrasivo nem aerossol para limpar o painel de comandos.
5. Se se acumular vapor na face interna da porta ou na sua periferia, no exterior, limpe-a com um pano macio. Este fenómeno pode ocorrer quando o forno de micro-ondas funciona em condições de humidade elevada; isso não indica de forma alguma uma disfunção do forno.
6. Por vezes não é necessário retirar o prato rotativo para o limpar. Pode lavá-lo com água quente e sabão ou na sua máquina de lavar louça.
7. A coroa com rodinhas e a parte inferior da cavidade devem ser tratadas regularmente para evitar qualquer ruído excessivo. Limpe simplesmente a parte inferior do forno com água e um detergente leve ou com um produto para os vidros, e depois seque cuidadosamente. Pode lavar a coroa com rodinhas e água morna e sabão ou na sua máquina de lavar louça. Os vapores de cozedura que fazem condensação durante utilizações repetidas não degradam de forma alguma as superfícies na parte inferior do forno nem as rodinhas da coroa. Se retirar a coroa de rodinhas para a limpeza, tente voltar a colocá-la no lugar na sua posição inicial.
8. Para eliminar os odores desagradáveis, coloque no forno uma tigela com água e sumo de limão e da sua casca. Ponha a funcionar o forno durante 5 minutos em modo micro-ondas, e depois passe a esponja e limpe cuidadosamente com um pano seco.

### AMBIENTE

Quando já não funcionar, não deite o forno juntamente com o lixo doméstico, entregue-o a um organismo autorizado para este efeito, onde pode ser reciclado. Contribuirá assim à proteção do ambiente.

# INSTALAÇÃO DO FORNO DE MICRO-ONDAS

## INSTALAÇÃO

1. Tente retirar todos os materiais da embalagem que se encontram no interior do forno.
2. Após ter removido da embalagem o forno, verifique se está em bom estado de funcionamento, tendo um especial cuidado para os seguintes pontos:
  - Porta mal alinhada
  - Porta danificada
  - Entalhes ou orifícios na porta ou mostrador
  - Amoladelas ou orifícios na cavidade.Se notar um dos defeitos acima mencionados, **NÃO UTILIZE** o forno.
3. Este forno de micro-ondas pesa 11 kg e deve ser instalado na horizontal numa superfície suficientemente sólida para suportar o seu peso.
4. Deve ficar distante das fontes de calor elevado e das libertações de vapores.
5. **NÃO PONHA NADA** por cima do forno.
6. Deixe um espaço livre de pelo menos 20 cm de ambos os lados do forno e de 30 cm atrás para garantir uma ventilação correta.
7. **NÃO RETIRE** o eixo de arrastamento do prato rotativo.
8. Vigie as crianças quando estas utilizam o forno.
9. A localização da ficha mural deve estar adaptada ao comprimento do cabo elétrico.
10. A potência do forno é de 1,3 quilovoltâmpero. Sugerimo-lhe de consultar um electricista antes de instalar o forno.

**AVISO: para a sua segurança, o forno está equipado de um fusível de 250 Volts, 8 Amperos**

## CARACTERÍSTICAS TÉCNICAS

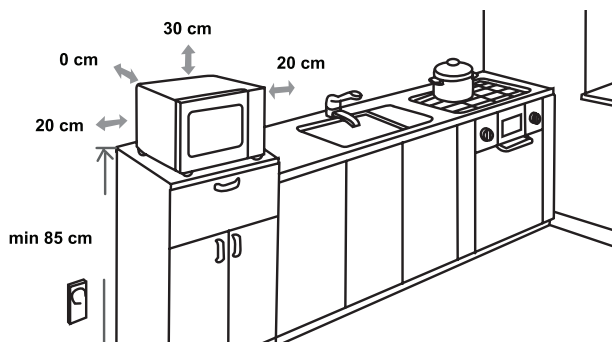
Ligação elétrica.....	220-240V-50Hz, 1280W
Potência dos micro-ondas.....	800W
Potência do grelhador.....	1000W
Frequência.....	2450MHz
Dimensões do forno.....	455 x 353 x 261 mm
Peso do forno.....	20 litros
Peso líquido.....	cerca de 11 kg
Nível sonoro.....	Lc < 58 dB (A)



**Este forno tem a marcação conforme à diretiva 2012/19/EU relativa aos resíduos dos equipamentos elétricos e eletrónicos (DEEE).**

**Esta diretiva é aplicável nos países da CE e define o quadro para a retoma e a reciclagem dos fornos eletro-domésticos no fim de vida útil.**

## DIMENSÕES DE EMBUTIMENTO



## INTERFERÊNCIAS RÁDIO

O seu forno de micro-ondas pode provocar interferências com o seu receptor rádio, o seu televisor, ou outros fornos similares. Para eliminá-las ou reduzi-las, tome as seguintes medidas.

- Limpe a porta e a sua junta de impermeabilidade.
- Coloque o rádio, a TV, etc. tão longe quanto possível do forno.
- Instale uma antena conveniente para o seu receptor rádio ou TV para melhorar a recepção do sinal.

RESERVAMO-NOS O DIREITO DE PROCEDER A MODIFICAÇÕES QUE NÃO TÊM QUALQUER INCIDÊNCIA NO FUNCIONAMENTO DO FORNO.

## ANTES DE CONTACTAR O SERVIÇO PÓS-VENDA

1. Se o forno não funcionar mesmo, o mostrador não liga ou apaga-se.
  - a) Verifique se o forno está corretamente ligado.  
Se não for o caso, retire a ficha da ficha elétrica, aguarde 10 segundos e volte a ligar o forno convenientemente.
  - b) Verifique se o fusível não saltou ou se o disjuntor não disjuntou. Se estes funcionarem normalmente, teste a ficha mural ligando outro aparelho.
2. Se o forno não funcionar em modo micro-ondas:
  - a) Verifique se a duração de cozedura ficou ajustada.
  - b) Verifique se a porta está bem fechada e se o bloqueio está activado. Caso contrário, o fluxo dos micro-ondas não podem chegar no forno.

**Se o forno continuar a funcionar após ter efetuado as verificações acima indicadas, contate o serviço pós venda.**

**Este forno doméstico destinado à cozedura dos alimentos e das bebidas funciona com ondas eletromagnéticas e deve ser utilizado exclusivamente no interior.**

## GARANTIA E SERVIÇO

Se pretender obter informações suplementares ou se encontrar um problema, contacte o Serviço dos Consumidores Gorenje do seu país (encontrará o número de telefone correspondente no folheto de garantia internacional). Se não existir nenhum Serviço Consumidores Gorenje no seu país, informe-se junto do seu revendedor Gorenje local ou contate o «Service Department of Gorenje Domestic Appliances».

### **Reservado para uma utilização doméstica!**

Encontrará informações complementares e conselhos úteis sobre a cozedura no micro-ondas e no grelhador no seu site Internet:  
<http://www.gorenje.fr>

**DESEJAMOS-LHE MUITO PRAZER NA UTILIZAÇÃO DO SEU FORNO**

**gorenje**

---

**GEACHTE KOPER**

Wij danken u hartelijk voor de aankoop van deze magnetron. Wees ervan overtuigd, dat u op onze producten kunt vertrouwen.

Voor een gemakkelijker gebruik van het product hebben we een uitgebreide gebruiksaanwijzing bijgevoegd met de bedoeling om u zo snel mogelijk bekend te maken met uw nieuwe apparaat. Lees voor het gebruik van het apparaat de gebruiksaanwijzing eerst aandachtig door.

Controleer altijd eerst of u een onbeschadigd apparaat heeft ontvangen. Neem bij de constatering van transportschade contact op met de verkoper van het apparaat of met het plaatselijke magazijn, waar u het apparaat in ontvangst heeft genomen. Het telefoonnummer vindt u op de rekening of op het bewijs van ontvangst.

Wij wensen u veel plezier met het nieuwe apparaat.



Het apparaat is uitsluitend bestemd voor huishoudelijk gebruik en wel voor het verwarmen van eten en drinken met behulp van elektromagnetische energie. Het apparaat mag alleen in gesloten ruimten worden gebruikt.

---

**GEBRUIKSAANWIJZING**

De gebruiksaanwijzing is bestemd voor de gebruiker en beschrijft het apparaat en het gebruik ervan. De instructies zijn aangepast aan verschillende typen apparaten, waardoor functies kunnen worden beschreven, die uw apparaat niet bezit.



Raak nooit het oppervlak van verwarmingselementen of kooktoestellen aan, deze kunnen erg warm worden. De binnenzijde van het apparaat en de verwarmingselementen raken sterk verhit. Verbrandingsgevaar! Houdt kinderen uit de buurt.



Bron van microgolven en hoogspanning!  
Niet het deksel verwijderen.

**LET OP!** Tijdens het gebruik kunnen huishoudelijke apparaten en delen ervan heet worden. Raak geen hete oppervlakten aan. Kinderen, jonger dan 8 jaar mogen zich niet in de buurt van het apparaat bevinden. Het apparaat mag alleen worden gebruikt door personen ouder dan 8 jaar en ook met verminderde lichamelijke, zintuigelijke en verstandelijke vermogens evenals door personen met gebrekkige ervaring of kennis, mits deze onder toezicht staan of aanwijzingen krijgen voor een veilig gebruik en zich bewust zijn van de gevaren bij het gebruik. Houdt kinderen in het oog en laat ze niet met het apparaat spelen. Kinderen mogen het apparaat niet reinigen of onderhouden, tenzij zij ouder zijn dan 8 jaar en onder toezicht staan. Houdt het apparaat en de aansluitkabel buiten bereik van kinderen jonger dan 8 jaar.

- **LET OP:** Als het apparaat in de gecombineerde stand werkt, mogen, door de hoge temperaturen die ontstaan, kinderen het apparaat slechts bedienen onder toezicht van volwassenen (alleen bij de grill functie).

- **LET OP:** Als de deur of het rubber van de deur beschadigd is, mag men het apparaat niet gebruiken, zolang deze niet door een erkende servicemonteur is gerepareerd.
- **LET OP:** Reparaties aan het apparaat mogen alleen door een erkend servicemonteur worden uitgevoerd.
- **LET OP:** Vloeistoffen en ander voedsel in luchtdichte verpakking of dozen mogen niet verhit worden, gevaar van ontploffing.
- Verwijder niet de pootjes van de oven en houdt de ventilatieopeningen vrij.
- Gebruik alleen keukengerei, geschikt voor het gebruik in een magnetron oven.
- Controleer bij het verwarmen van voedsel in plastic of papieren verpakking het verwarmingsproces, de verpakking kan vlam vatten.
- Als u rook ontdekt, doe het apparaat dan onmiddellijk uit en trek de stekker uit het stopcontact, laat de deur dicht om het vuur te doven.
- Als u in de magnetron drankjes verwarmt, kunnen deze heel heet worden en overkoken, wees dus voorzichtig hiermee.
- Om verbranding te voorkomen dient u voor gebruik babyflesjes en potjes met babyvoedsel te schudden en de temperatuur te controleren.
- Verwarm in de magnetron geen eieren in de schaal of hele gekookte eieren, aangezien deze kunnen ontploffen ook al is het verhittingsproces al beëindigd.
- Gebruik voor het reinigen van de deur en het deurrubber een mild (geen agressief) reinigingsmiddel met een spons of zachte doek.

- Reinig de oven regelmatig en verwijder voedselresten.
- Als u de magnetron niet regelmatig reinigt en onderhoudt, kunnen oppervlakten slijten, hetgeen een negatieve invloed heeft op de levensduur van het apparaat en het risico van gevaar bij het gebruik verhoogt.
- Een beschadigde aansluitkabel mag alleen door een erkend vakman worden vervangen.
- Let op dat de kabel niet over de rand van tafel of werkblad hangt.
- Gebruik voor een aanzetten geen tijdschakelaar of een schakelaar op afstandbediening om gevaar te voorkomen.
- Vervang de verlichting in de oven niet zelf en laat dit ook niet doen door iemand, die niet door Gorenje gemachtigd is om dit te doen. Neem contact op met het Gorenje servicecentrum.
- **LET OP:** Gebruik voor de reiniging van de magnetron geen ovenreinigers, stoom, bijtende schuurmiddelen, middelen met caustic soda of stalen pannensponsjes.



Hierna worden enkele maatregelen genoemd die in acht moeten worden genomen, om zoals bij alle apparaten een veilige en doelmatige werking te garanderen:

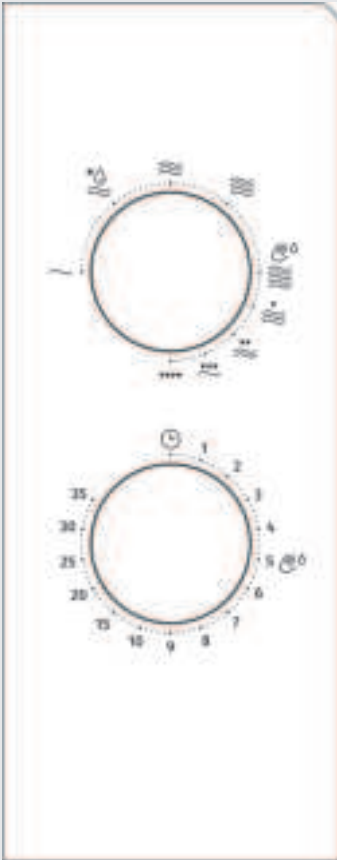
1. Tijdens de werking van de oven moeten de glazen plaat, de hendel van de rol en de pen voor de rol zich altijd op de juiste plaats bevinden.
2. Gebruik de oven voor geen ander doel dan het bereiden van voedsel. Droog er geen papier, kleding of andere voorwerpen in en gebruik hem niet voor sterilisatie.
3. Doe de oven nooit aan als hij leeg is, hij kan dan beschadigen.
4. Bewaar in de oven nooit zaken als papier, kookboeken enz.
5. Bereidt nooit geen eten met een vel, schaal of schil, zoals eierdooiers, aardappelen, kippenlevertjes enz. prik de vel eerst op meerdere plaatsen door met een vork.
6. Plaats geen voorwerpen in of tegen de openingen aan de buitenkant van de oven.
7. Verwijder nooit delen van de oven, zoals de pootjes, vergrendeling, schroeven enz.
8. Kook geen voedsel direct op de glazen plaat. Doe het voedsel eerst in een geschikte schaal, bak of ander geschikt gebruiksartikel.

**BELANGRIJK:** Keukengerei dat u niet in de oven mag gebruiken:

- Gebruik geen metalen pannen of bakken met metalen handgrepen.
  - Gebruik geen dozen met metalen randen.
  - Gebruik geen melamine schalen, aangezien deze elektromagnetische energie absorberen. Hierdoor kan de schaal barsten of vlam vatten. Daarnaast wordt het kook/verhittingsproces belangrijk vertraagd.
  - Gebruik geen schalen zonder speciale coating voor het gebruik in magnetron ovens.
  - Bereidt geen voedsel in een glazen pot of fles met een smalle hals, aangezien deze tijdens verhitting kan barsten.
  - Gebruik geen gewone termometers voor vlees of gebak. Gebruik alleen termometers, speciaal bestemd voor magnetrons.
9. Gebruik de hulpmiddelen voor de magnetron alleen in overeenstemming met de aanwijzingen van de fabrikant.
  10. Probeer niet te frituren met de magnetron!

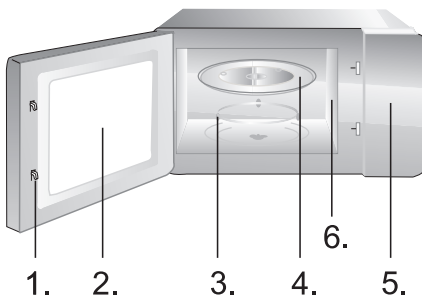
11. Wees erop bedacht, dat in de oven alleen de vloeistof wordt verhit en niet de doos of schaal, waarin deze zich bevindt. Daarom bestaat de mogelijkheid, dat als u het deksel verwijdert hete stoom ontsnapt uit de doos, hoewel deze zelf niet warm wordt.
12. Controleer voor het eten altijd eerst de temperatuur van het eten, vooral als het bestemd is voor kinderen. Wij bevelen aan het eten uit de magnetron niet meteen te eten, maar enige minuten te laten staan en indien mogelijk te roeren, zodat de temperatuur gelijkmatig wordt verdeeld.
13. Eten dat bestaat uit een mengsel van vetten en water, zoals bijv. soepen, moeten we na het uitschakelen van de oven nog ongeveer 30 tot 60 seconden laten staan. Hierdoor krijgt het mengsel de tijd te stabiliseren en wordt voorkomen, dat luchtbellen ontsnappen, bijv. bij het roeren of bij het toevoegen van een soepblokje.
14. Wees erop bedacht, dat sommige gerechten, zoals bijv. kerstpudding, jam en gehakt zeer snel opwarmen. Als u voedsel verhit of kookt met een hoog vetgehalte, gebruik dan geen plastic schalen.
15. Keukengerei kan bij gebruik in een magnetron zeer heet worden, aangezien het eten warmte afgeeft. Dit is in het bijzonder het geval bij bekertjes met een oor en bij dozen met een deksel of plastic afdekking. Bij het uitnemen van deze voorwerpen dient u ovenwanten te gebruiken.
16. Om brandgevaar te voorkomen:
  - a) Let op, dat het voedsel niet te lang kookt. Houdt het kookproces goed in het oog, als het eten zich bevindt in verpakking van papier, plastic of ander brandbaar materiaal.
  - b) Verwijder voordat u een zakje in de oven doet eerst eventuele metalen sluiters.
  - c) Laat, als een voorwerp in de oven vlam mocht vatten de deur van de oven dicht, doe de oven van het lichtnet of schakel de hoofdzekering uit.

## OVEN DIAGRAM

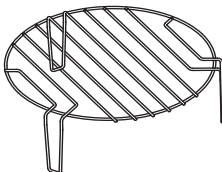


1 - Knop voor instelling van het kookvermogen

2 - Knop voor de tijdstelling (0-35 minuten)



1. Deursluiser
2. Ovenvenster
3. Rand van de plaat
4. Glasplaat
5. Display
6. Microgolfeleider (het silicaten afdekplaatje van de microgolfeleider niet verwijderen).



Grillrooster (kan worden gebruikt voor de grillfunctie of in combinatie met de magnetron. Gebruik het rooster alleen op de glasplaat).

### TIJDELIJK OF GEHEEL STOPPEN MET KOKEN

1. **Voor het tijdelijk stoppen met koken: open de deur en het koken wordt onderbroken. Doe de deur weer dicht om het koken te hervatten.**
2. **Zet om volledig te stoppen met koken de knop voor de tijdstelling op »0«.**

### ONTDOOIEN VAN VOEDSEL



**Met de ontdooifunctie kunt u vlees, gevogelte en vis ontdooien. Plaats de diepvriesproducten in het midden van de oven en sluit de deur.**

1. Draai de knop voor de instelling van het kookvermogen op "DEFROST" (ontdooien).
2. Kies met de timer-knop de gewenste tijdstelling. De ovenverlichting gaat branden.

**OPMERKING:** Wanneer de tijd is verstreken, klinkt er een geluidssignaal. U kunt de tijd veranderen wanneer u maar wilt.

### KOKEN EN OPWARMEN



**De volgende procedure wordt gevolgd voor het koken of opwarmen van het eten. Controleer ALTIJD de kookinstellingen nog een keer, voordat u zich van de oven verwijdt. Plaats het eten in het midden van de oven en sluit de deur.**

1. Stel het vermogen in met de knop voor instelling van het vermogen 17%, 33%, 55%, 77%, 100%.
2. Stel de tijd in met de timer-knop. De verlichting in de oven gaat branden.
3. Tijdens de werking kunt u het vermogen veranderen door het draaien aan de knop voor instelling van het vermogen.

### GECOMBINEERDE WERKING 1



**De magnetron zal 20% van de tijd werken met de magnetron en 80% met de grill. Deze manier is geschikt voor vis of gegratineerde gerechten. Stel voor combinatie 1 bijvoorbeeld de kooktijd in op 25 minuten:**

1. Open de deur, plaats het gerecht in de oven, sluit de deur.
2. Zet de knop in stand "COMB 1".
3. Stel de tijd in door de knop voor tijdstelling op 25 minuten te zetten. De ovenverlichting gaat branden.

## GECOMBINEERDE WERKING 2



**De oven zal 30% van de tijd werken met de magnetron en 70% van de tijd met de grill. Dit is geschikt voor puddingen, soufflé's, omeletten, gebakken aardappelen en gevogelte. Stel voor combinatie 2 bijvoorbeeld de kooktijd in op 25 minuten.**

1. Open de deur en plaats het voedsel in de oven, sluit de deur.
2. Stel de knop in stand "COMB 2".
3. Stel de tijd in door de timer-knop op 25 minuten te zetten. De ovenverlichting gaat branden.

## GECOMBINEERDE WERKING 3



**De oven zal 40% van de tijd werken met de magnetron en 60% met de grill. Deze instelling is geschikt voor puddingen, soufflé's, omeletten, gebakken aardappelen en gevogelte.**

**Stel voor combinatie 3 bijvoorbeeld de kooktijd in op 25 minuten. Open de deur, plaats het voedsel in de oven en sluit de deur.**

1. Zet de knop in stand "COMB 3".
2. Stel met de timer-knop de tijd in op 25 minuten. De ovenverlichting gaat branden.

## GRILL




**De grill is vooral handig voor het grillen van dunne stukken vlees, zoals biefstuk, karbonades, vleesspiesjes, worstjes of stukken kip. De grill is ook geschikt voor de bereiding van warme broodjes en gratineerde gerechten.**

**Stel de grill bijvoorbeeld in op 12 minuten.**

1. Open de deur, plaats het gerecht in de oven en sluit de deur.
2. Zet de knop voor instelling van het kookvermogen in de stand "GRILL".
3. Stel de tijd in door de timer knop op 12 minuten te zetten. De ovenverlichting gaat branden.

## AQUACLEAN



Voor de regelmatige reiniging van de oven wordt de volgende procedure aanbevolen: Draai de knop voor instelling van het kookvermogen in de stand .

Doe 200ml water in een glas en draai de knop voor de tijdstelling . Verwijder na het verlopen van de tijd het glas en de glasplaat en veeg de binnenkant van de oven schoon met een droge doek.

1. Neem voor het reinigen de stekker uit het stopkontakt.
2. Zorg dat het interieur van de oven altijd schoon is. Veeg voedselresten of gespatte vloeistofresten af met een vochtige doek. Het gebruik van schuurmiddelen of agressieve reiningsmiddelen wordt niet aanbevolen.
3. Maak de buitenkant van de oven schoon met een vochtige doek. Zorg ervoor, dat er geen vocht in de sleuven van de ventilatie kan komen om beschadiging te voorkomen.
4. Zorg ervoor, dat het display niet nat wordt. Reinig het met een zachte, vochtige doek. Gebruik geen agressieve (schuur)middelen of sprays.
5. Als er in de oven condens ontstaat, veeg dit dan af met een zachte doek. Condensvorming kan ontstaan in zeer vochtige ruimten en betekent geen fout in de werking van het apparaat.
6. Af en toe dient de glasplaat te worden verwijderd en gereinigd. Was de plaat in warm water met wat afwasmiddel of in de vaatwasmachine.
7. De draairing en de bodem van de oven dienen regelmatig gereinigd te worden, aangezien de oven tijdens de werking luidruchtig kan worden. Veeg de bodem eenvoudig schoon met een mild wasmiddel, water of een wasmiddel voor glazen ramen en droog de bodem af. De draairing kunt u afwassen met een wasmiddel of in de vaatwasmachine. Bij langer gebruik kunnen de wieltjes vochtig worden, maar dit heeft geen invloed op de werking. Zorg dat u de draairing weer op de juiste manier terugplaatst in de uitsparing.
8. Mogelijke onaangename geuren in de oven kunt u verwijderen door een diepe bak voor het bereiden van voedsel in de magnetron te vullen met water en daarin een gesneden schil van een citroen te doen. Droog de binnenkant van de oven na het draaien goed af met een droge doek.

### MILIEU

Gooi het apparaat na het verstrijken van de levensduur niet weg met gewoon afval, maar deponeer het op een officiële plaats voor recycling. Zo helpt u mee aan het behoud van het milieu.

## PLAATSING

1. Controleer eerst of u al het verpakkingsmateriaal heeft verwijderd. Verwijder geen karton, dat dient ter bescherming van de magnetron.
2. Controleer na de verwijdering van de verpakking of de oven zichtbare beschadigingen heeft, bijv.:
  - een hangende deur,
  - beschadigde deur,
  - barsten of gaten in het venster van de deur of het display
  - deuken aan de binnenzijde van de oven.Gebruik de oven niet als u enige vorm van beschadiging bemerkt.
3. De oven heeft een gewicht van 11 kg; plaats hem in horizontale stand op een harde ondergrond, die het gewicht van de oven kan dragen.
4. Plaats de oven op voldoende afstand van andere warmtebronnen met hoge temperaturen.
5. Zet niets op de oven.
6. Verwijder niet de aandrijfstift van het draaiende onderstel.
7. Zorg zoals bij alle elektrische apparaten voor voldoende controle als kinderen het apparaat gebruiken.
8. De wandkontaktdoos moet gemakkelijk bereikbaar zijn om het apparaat in geval van nood eenvoudig te kunnen uitschakelen. Overeenkomstig de aanwijzingen kunt u de oven ook aansluiten op een elektrische leiding met een schakelaar voor het snel uitschakelen van de voeding. Het apparaat moet worden aangesloten op een eenfase stopcontact voor wisselspanning van 230V/50Hz. **WAARSCHUWING! HET APPARAAT MOET GEAARD ZIJN!** De fabrikant verwerpt iedere vorm van aansprakelijkheid, als deze veiligheidsmaatregel niet in acht wordt genomen.
9. De oven heeft een inputvermogen nodig van 1,3kVA. Wij bevelen aan, de plaatsing te laten uitvoeren door een service monteur of erkend vakman.

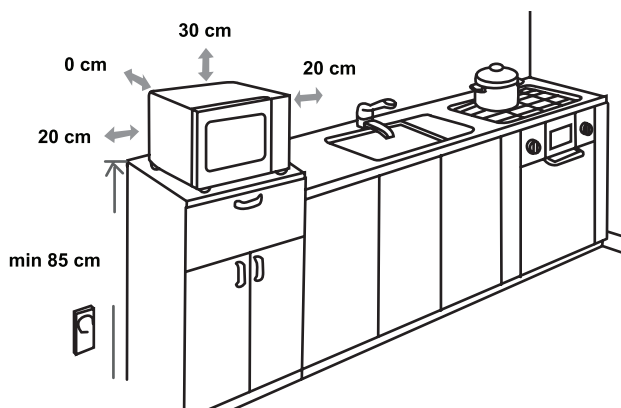
**LET OP: De oven heeft een eigen bescherming in de vorm van een zekering van 250V, 8A.**

## TECHNISCHE GEGEVENS

Energieverbruik.....	220-240V-50Hz, 1280W
Uitgangsvermogen.....	800W
Grill.....	1000W
Werkfrequentie .....	2450MHz
Afmetingen .....	455 x 353 x 261 mm
Inhoud.....	20 l
Gewicht zonder verpakking:.....	ca. 11 kg
Geluidsniveau:.....	Lc < 58 dB (A)



**Het apparaat is gemerkt volgens de EU richtlijn 2012/19 voor elektrisch en elektronisch afval (waste electrical and electronic equipment - WEEE). De richtlijnen regelen de inzameling en behandeling van elektrisch en elektronisch afval en gelden voor de hele EU.**



## RADIO STORING (INTERFERENCE)

De magnetron kan storing veroorzaken bij radio, TV of soortgelijke ontvangst. Bij storing kunt u de volgende dingen doen:

- Reinig de deur en het deurrubber van de oven.
- Plaats uw radio, TV ed. zover mogelijk van de oven.
- Gebruik bij radio en TV ontvangst een geschikte antenne, die een goede ontvangst mogelijk maakt.

WIJ BEHOUDEN ONS HET RECHT VOOR TOT  
VERANDERINGEN, DIE GEEN INVLOED HEBBEN OP  
DE WERKING VAN HET APPARAAT.



## VOORDAT U EEN MONTEUR BELT

1. Als de oven helemaal niet werkt, het display blijft zwart:
  - a) Controleer of de oven juist is aangesloten op het net. Zo niet, haal de stekker uit het stopcontact, wacht 10 seconden en doe hem er weer in.
  - b) Controleer of bij het apparaat de zekering is doorgebrand en de hoofdzekering in orde is. Als u geen fout kunt ontdekken, probeer dan het stopcontact met een ander apparaat.
2. Als de oven niet verwarmt of geen energie afgeeft:
  - a) Controleer of de programmaklok juist is ingesteld.
  - b) Controleer of de deur goed gesloten is en het veiligheidsslot vergrendeld is. Is dat niet het geval, dan zal de oven geen energie afgeven.

**Als het ondanks de bovenstaande aanwijzingen niet lukt het probleem op te lossen, roep dan de hulp in van een service monteur.**

## GARANTIE EN SERVICE

In geval van problemen of vragen kunt u zich richten tot het Gorenje centrum voor hulp aan gebruikers in uw land (de telefoonnummers vindt u in het internationale garantiecertificaat). Indien zich in uw land geen centrum bevindt, richt u zich dan tot het plaatselijke Gorenje verkooppunt of de Gorenje afdeling voor huishoudelijke apparaten.

### **Alleen voor persoonlijk gebruik!**

Aanvullende aanbevelingen voor het gebruik van uw magnetron met nuttige kooktips vindt u op de website:

<http://www.gorenje.si>

**WIJ WENSEN U VEEL PLEZIER BIJ HET GEBRUIK VAN UW MAGNETRON**

# **gorenje**

## ESTIMADO CLIENTE

Le agradecemos haber escogido nuestro producto. Pronto descubrirá que puede confiar en él.

Para facilitarle el manejo adjuntamos amplias instrucciones que le ayudarán a familiarizarse con su nuevo aparato lo antes posible. Le rogamos que lea detenidamente las instrucciones antes del primer uso.

Primero debe sobre todo cerciorarse de que su aparato esté en buen estado. En caso de identificar algún daño de transporte, comuníquese con su representante de ventas o el almacén regional que le entregó el producto. El número de teléfono está indicado en la factura o en el talón de entrega.

Le deseamos que utilice su aparato con satisfacción.



El aparato está destinado exclusivamente al uso doméstico para calentar alimentos y bebidas por medio de energía electromagnética. Debe ser utilizado sólo en lugares cerrados.

## INSTRUCCIONES DE USO

Las instrucciones de uso están destinadas al usuario. Describen el aparato y su manejo. Están adaptadas a varios tipos de aparatos, por eso pueden incluir descripciones de funciones de las cuales su aparato no dispone.



Nunca toque las superficies de calefacción o aparatos de cocina. Ellos se calientan durante el funcionamiento. Mantenga a los niños a una distancia segura. Existe el riesgo de quemaduras!



La energía de microondas y de alto voltaje! No quite la cubierta.

Este aparato puede ser utilizado por niños de más de 8 años y por personas con discapacidad física, motriz o mental o por personas que carecen de experiencias o conocimientos necesarios, pero sólo bajo supervisión adecuada y con tal de que hayan recibido instrucciones sobre el uso seguro del aparato y sobre los riesgos del uso inadecuado. Los niños no deben jugar con el aparato. Los niños no deben limpiar el aparato o efectuar en él operaciones de mantenimiento sin supervisión adecuada.

- **ADVERTENCIA:** Cuando el aparato se utilice en el modo de combinación, los niños sólo deben utilizar el horno bajo supervisión de un adulto debido a las temperaturas generadas; (sólo para el modelo con función de grill)
- **ADVERTENCIA:** Algunas partes del aparato que son de fácil acceso se calientan mucho durante su funcionamiento. Tener cuidado de no tocar los dispositivos de calentamiento. Los niños que tengan menos de 8 años deben estar todo el tiempo bajo supervisión.

- **ADVERTENCIA:** Si la puerta o los cierres de la puerta están dañados, no se debe utilizar el horno hasta que haya sido reparado por una persona competente;
- **ADVERTENCIA:** Es peligroso para personas no competentes realizar operaciones de reparación que impliquen quitar las carcasas que protegen de la exposición a la energía microondas.
- **ADVERTENCIA:** no se pueden calentar líquidos u otros alimentos en recipientes cerrados ya que es posible que exploten.
- **ADVERTENCIA:** Este aparato no debe ser usado por personas (adultos o niños) con su capacidad física, psíquica o sensorial reducida, ni por quienes no tengan los conocimientos y la experiencia necesarios, a menos que sean supervisados o instruidos acerca del uso del aparato por una persona responsable de su seguridad. Asegúrese de que los niños no jueguen con este aparato.
- No quite las patas del horno, no bloquee las ranuras de ventilación del horno.
- Utilice sólo utensilios que sean aptos para su uso en hornos microondas.
- Cuando caliente alimentos en recipientes de plástico o de papel, vigile el horno debido a la posibilidad de ignición;
- Si se observa humo, apague o desconecte el aparato y mantenga la puerta cerrada para ahogar cualquier llama;
- El calentamiento de bebidas con microondas puede producir un hervido posterior, por lo tanto, debe tener cuidado cuando maneje el recipiente;

- Los contenidos de los biberones y potitos se deben remover o sacudir y se debe comprobar la temperatura antes de servirlos para evitar quemaduras;
- No se deben calentar huevos con cáscara o huevos duros en los hornos microondas ya que pueden explotar incluso tras terminar con el uso del microondas;
- Cuando limpie superficies de la puerta, cierres, la cavidad del horno, utilice sólo detergentes suaves y no abrasivos aplicados con una esponja y un paño suave.
- El horno se debe limpiar de forma regular y se deben eliminar los depósitos de alimentos;
- No mantener el horno limpio puede provocar el deterioro de las superficies, lo que puede afectar negativamente a la vida del aparato y dar como resultado posibles situaciones peligrosas;
- Si el cable de alimentación está dañado, el fabricante o su agente o una persona con una cualificación similar debe cambiarlo para evitar peligros.

## INSTRUCCIONES DE SEGURIDAD PARA USO GENERAL

A continuación, como en todos los aparatos, le presentamos determinadas normas de seguridad que debe seguir para asegurar un rendimiento óptimo de este horno:

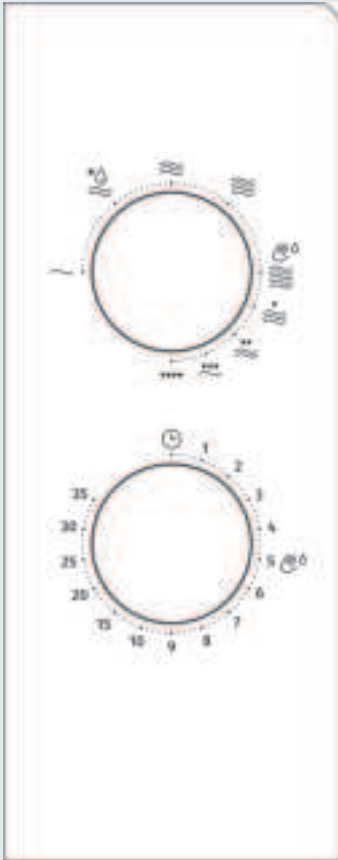
1. Mantenga siempre la bandeja de cristal, el brazo giratorio, el acople y la rejilla giratoria en su lugar cuando utilice el horno.
2. No utilice el horno para otro motivo distinto a la preparación de alimentos, como secar ropa, papel u otros elementos que no sean alimentos, ni para fines de esterilización.
3. No utilice el horno cuando esté vacío. Esto puede dañar el horno.
4. No utilice la cavidad del horno como zona de almacenamiento para papeles, libros de cocina, etc.
5. No cocine alimentos recubiertos por membranas, como yemas de huevo, patatas, hígados de pollo, etc. si haber pinchado varias veces la membrana con un tenedor.
6. No introduzca objetos en las ranuras de la carcasa exterior.
7. No quite partes del horno como las patas, el acople, tornillos, etc.
8. No cocine alimentos directamente sobre la bandeja de cristal. Coloque los alimentos en recipientes de cocina apropiados antes de colocarlos en el horno.
10. Los utensilios para microondas se deben utilizar sólo de acuerdo a las instrucciones del fabricante.
11. No intente freír alimentos en este horno.
12. Recuerde que un horno microondas sólo calienta el líquido de un recipiente más que el recipiente en sí. Por lo tanto, aunque la tapa de un recipiente no esté caliente al tacto cuando lo saque del horno, recuerde que el alimento / líquido del interior puede soltar la misma cantidad de vapor y/o salpicaduras cuando se quita la tapa que en una cocción convencional.
13. Compruebe siempre la temperatura de los alimentos personalmente especialmente si está calentando o cocinando alimentos /líquidos para bebés. Se recomienda no consumir los alimentos /líquidos directamente sacados del horno, sino dejarlos durante unos minutos y moverlos para distribuir el calor uniformemente.

### **IMPORTANTE - MATERIAL DE COCINA QUE NO SE DEBE UTILIZAR EN UN HORNO MICROONDAS**

- No utilice recipientes metálicos o con asas metálicas.
- No utilice objetos con bordes metálicos.

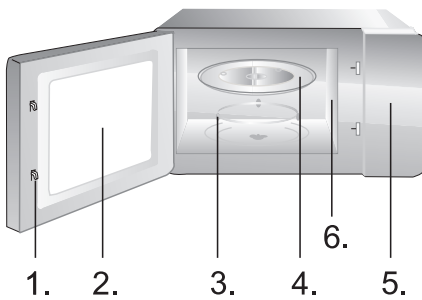
- No utilice cables recubiertos de papel para sujetar las bolsas de plástico.
  - No utilice platos de melamina ya que contienen un material que puede absorber la energía de microondas. Esto puede provocar que el plato se rompa y ralentizará la velocidad de cocinado.
  - No utilice materiales de la marca Centura. El vidrio no es apto para el uso en microondas. No se deben utilizar tazas de asa cerrada de la marca Corelle.
  - No cocine en un recipiente de apertura restringida, como botellas con tapa o aceiteras, ya que pueden explotar si se calientan en un horno microondas.
  - No utilice termómetros convencionales para carne o caramelo.
  - Existen termómetros específicos para cocinar en microondas. Son los que se pueden utilizar.
14. Los alimentos que contienen una mezcla de agua y grasa deben permanecer 30-60 segundos en el horno tras apagarlo. Esto permite que la mezcla se asiente y evita burbujeos cuando se coloca una cuchara en los alimentos /líquidos o cuando se añade una pastilla de caldo.
  15. Cuando prepare/cocine alimentos/líquidos, recuerde que hay determinados alimentos, por ejemplo, pasteles de Navidad, mermeladas y carne picada que se calientan rápidamente. Cuando caliente o cocine alimentos con un alto contenido en grasa o azúcar, no utilice recipientes de plástico.
  16. Los utensilios de cocina se pueden calentar debido al calor transferido desde los alimentos calientes. Esto es especialmente cierto si se ha cubierto la parte superior y las asas del recipiente con film transparente. Es posible que se necesiten guantes de cocina para utilizar el utensilio.
  17. Para reducir el riesgo de incendio en la cavidad del horno:
    - a) No cocine los alimentos demasiado tiempo. Preste atención al microondas si ha colocado papel, plástico u otros materiales combustibles dentro del horno para facilitar la cocción.
    - b) Quite los precintos metálicos de la bolsa de papel o de plástico antes de colocar la bolsa en el horno.
    - c) Si los materiales del interior del horno se incendiaran, mantenga la puerta del horno cerrada, apague el horno y desconéctelo de la toma de corriente o corte la corriente en el fusible del panel de interruptores de circuito.

## PANEL DE MANDO

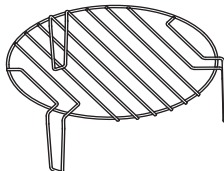


1 - Selector de potencia

2 - Selector de tiempo (0 - 35 minutos)



1. Cierre de la puerta
2. Ventanilla del horno
3. Anillo giratorio
4. Bandeja de vidrio
5. Panel de mando
6. Guía de ondas (por favor no retire la placa de mica que cubre la guía de ondas)



Rejilla de plancha (se utiliza sólo para la función de plancha o en combinación con microondas. Colóquela siempre en un plato de vidrio).



## INSTRUCCIONES DE MANDO

### PAUSA / PARO

1. **Para hacer una pausa - interrumpir temporalmente la cocción abra la puerta del horno. La cocción se interrumpe. Para continuar cierre la puerta.**
2. **Para parar (anular) completamente la cocción gire el selector de tiempo a 0.**

### DESCONGELACIÓN DE ALIMENTOS

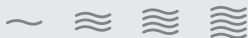


**La función de descongelación sirve para descongelar carnes y pescados. Coloque los alimentos congelados en el medio del horno y cierre la puerta.**

1. Gire el selector de potencia de rayos a »DEFROST« (descongelación).
2. Girando el selector de tiempo se ajusta el tiempo de cocción deseado.

**NOTA:** Al terminarse el tiempo ajustado se oye una señal sonora. El tiempo de cocción puede ser modificado a cada momento.

### COCCIÓN / CALENTAMIENTO



**El procedimiento siguiente describe cómo cocer o calentar alimentos. SIEMPRE controle los ajustes de cocción antes de alejarse del horno en funcionamiento. Primero coloque los alimentos en el medio del horno y cierre la puerta.**

1. Gire el selector de potencia de rayos en posición deseada 17%, 33%, 55%, 77%, 100%.
2. Con el selector de tiempo ajuste la duración de cocción. La lámpara en el interior del horno se ilumina.
3. Durante la cocción puede cambiar la potencia de rayos girando el selector.

### FUNCIONAMIENTO COMBINADO



**El horno funciona 20 % de tiempo con microondas y 80 % con función de plancha. Este modo es idóneo para hornear pescado o platos gratinados.**

**Si quiere, por ej. ajustar el horno a funcionamiento combinado para 25 minutos, siga el procedimiento siguiente:**

1. Abra la puerta del horno y coloque el plato en la rejilla. Cierre la puerta.
2. Gire el selector en posición »COMB 1«.
3. Con el selector de tiempo ajuste la duración de cocción (25 min). La lámpara en el interior del horno se ilumina.

## FUNCIONAMIENTO COMBINADO 2



**El horno funciona 28 % de tiempo con microondas y 72 % con función de plancha. Este modo es idóneo para preparar pudines, suflés, tortillas, patatas horneadas y carne de aves.**

**Si quiere, por ej. ajustar el horno a funcionamiento combinado para 25 minutos, siga el procedimiento siguiente:**

1. Abra la puerta del horno y coloque el plato en la rejilla. Cierre la puerta.
2. Gire el selector en posición »COMB 2«.
3. Con el selector de tiempo ajuste la duración de cocción (25 min). La lámpara en el interior del horno se ilumina.

## FUNCIONAMIENTO COMBINADO 3



**El horno funciona 40 % de tiempo con microondas y 60 % con función de plancha. Este modo es idóneo para preparar pudines, suflés, tortillas, patatas horneadas y carne de aves.**

**Si quiere, por ej. ajustar el horno a funcionamiento combinado para 25 minutos, siga el procedimiento siguiente:**

1. Abra la puerta del horno y coloque el plato en la rejilla. Cierre la puerta.
2. Gire el selector en posición »COMB 3«.
3. Con el selector de tiempo ajuste la duración de cocción (25 min). La lámpara en el interior del horno se ilumina.

## PLANCHA



**Este modo es idóneo sobre todo para hornear finas lonjas de carne, filetes, chuletas, brochetas, salchichas o pedazos de carne de aves. La plancha se utiliza también para preparar tostadas y platos gratinados.**

**Ejemplo: cómo planchar alimentos en 12 minutos**

1. Abra la puerta del horno y coloque el plato en la rejilla. Cierre la puerta.
2. Gire el selector en posición »PLANCHA«.
3. Con el selector de tiempo ajuste la duración de cocción. La lámpara en el interior del horno se ilumina.

## AUTOLIMPIEZA - AQUACLEAN



Utilice esta función para eliminar las manchas y los residuos de comida del horno. Vierta en una taza 200 ml de agua y gire Selector de potencia a . Gire Selector de tiempo a para poner en marcha el aparato. Una vez terminado el programa quite el vaso y el plato de vidrio y limpie el interior del horno con un trapo seco.

## CUIDADOS DE SU HORNO MICROONDAS

1. Apague el horno y desconecte el enchufe de la toma de pared antes de limpiar.
2. Mantenga limpio el interior del horno. Cuando las salpicaduras de los alimentos se adhieran a las paredes del horno, límpielas con un paño húmedo. No se recomienda el uso de detergentes abrasivos.
3. Las superficies exteriores se deben limpiar con un paño húmedo. Para evitar daños a las partes operativas del interior del horno, no se debe permitir que entre agua en las ranuras de ventilación.
4. No permita que el panel de control se moje. Límpielo con un paño suave húmedo, no utilice detergentes, abrasivos o limpiadores en spray sobre el panel de control.
5. Si se acumula vapor dentro o alrededor de la puerta del horno, límpielo con un paño suave. Esto puede ocurrir cuando se utiliza el horno microondas en condiciones de gran humedad y de ningún modo indica una disfunción de la unidad.
6. A veces es necesario quitar la bandeja de cristal para limpiarla. Lave la bandeja con agua jabonosa templada o en el lavavajillas.
7. El anillo giratorio y el suelo del horno se deben limpiar de forma regular para evitar el ruido excesivo. Simplemente limpie la superficie inferior del horno con un detergente suave, agua o limpiador para ventanas y séquela. El anillo giratorio se puede lavar con agua jabonosa o en el lavavajillas. Los vapores de cocinado se acumulan durante el uso repetido, pero no afectan a la superficie inferior o a las ruedas del anillo giratorio.  
Cuando quite el anillo giratorio de su cavidad para limpiarlo, asegúrese de volver a colocarlo en la posición apropiada.
8. Elimine los olores de su horno combinando una taza de agua con el zumo y la piel de un limón en un cuenco hondo para microondas. Cocínelo durante 5 minutos, limpie bien y seque con un paño suave seco.
9. Cuando sea necesario cambiar la luz del horno, consulte a su distribuidor para que la cambien.

### MEDIO AMBIENTE

Al final de su vida útil, no tire el aparato junto con la basura normal del hogar. Llévelo a un punto de recogida oficial para su reciclado. De esta manera ayudará a conservar el medio ambiente.

## INSTALACIÓN

1. Asegúrese de que todos los materiales de empaquetado se eliminan del interior de la puerta.
2. inspeccione el horno tras desempaquetarlo en busca de daños visuales como:
  - Puerta desalineada.
  - Puerta dañada
  - Golpes o agujeros en la ventana de la puerta y en la pantalla
  - Golpes en la cavidad
  - Si ve alguno de los anteriores, NO utilice el horno.
3. este horno microondas pesa 11 kg y se debe colocar en una superficie horizontal con la fuerza suficiente para soportar su peso.
4. El horno se debe colocar alejado de altas temperaturas y del vapor.
5. NO coloque objetos encima del horno.
6. Mantenga el horno al menos a 20 cm. de distancia de las paredes laterales y a 30 cm. de la pared trasera para asegurar una correcta ventilación.
7. NO quite el eje del plato giratorio.
8. Como con cualquier aparato, es necesario vigilarlo de cerca cuando es utilizado por niños. ADVERTENCIA - ESTE APARATO DEBE ESTAR CONECTADO A UNA TOMA DE TIERRA.
9. El enchufe debe estar cerca del cable de alimentación.
10. Este horno requiere 1,3 KVA para su entrada, consulte a su técnico de servicio cuando instale el horno.

**¡CUIDADO! El horno dispone de su propia protección (fusible 250 V, 8 A).**

## ESPECIFICACIONES

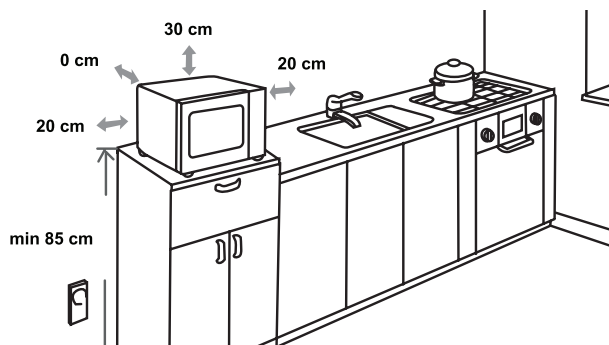
Consumo de energía: .....220-240V-50Hz, 1280W  
Salida:.....800W  
Resistencia de grill: .....1000W  
Frecuencia de operación:.....2450MHz  
Dimensiones exteriores:..... 455 x 353 x 261 mm  
Capacidad del horno:..... 20 litros  
Peso desembalado:..... aprox. 11 Kg  
Nivel de ruido (Lc IEC):.....< 58 dB (A)



**Este aparato está marcado de acuerdo a la directiva europea 2012/19/EU sobre disposición de equipos eléctricos y electrónicos (DEEE).**

**Esta guía es el marco de validez europea para la devolución y reciclado de equipos eléctricos y electrónicos.**

## MEDIDAS DE ENCASTRAMIENTO



## INTERFERENCIAS DE RADIO

El horno microondas puede provocar interferencias a su aparato de radio, TV o similares. Cuando se produzcan interferencias, se pueden eliminar o reducir con los siguientes procedimientos.

Limpie la puerta y la superficie de sellado del horno. Coloque la radio, el TV, etc. lo más alejado posible de su horno microondas.

Utilice una antena instalada apropiadamente para su radio, TV, etc. para obtener una recepción de señal más fuerte.

NOS RESERVAMOS EL DERECHO A CAMBIOS QUE NO INFLUYEN EN LA FUNCIONALIDAD DEL APARATO.

## ANTES DE LLAMAR AL CENTRO DE REPARACIONES

1. Si el horno no funciona en absoluto, no aparecerá nada en la pantalla:
  - a) Compruebe que el horno está bien conectado. Si no, quite el enchufe de la toma de corriente, espere 10 segundos y vuelva a conectarlo firmemente.
  - b) Busque fusibles de circuito quemados o un interruptor de corriente principal saltado. Si éstos parecen funcionar correctamente, compruebe la toma con otro aparato.
2. Si el horno microondas no funciona:
  - a) Compruebe si se ha establecido el temporizador.
  - b) Compruebe que la puerta está bien cerrada y que se ha enganchado en los pestillos de seguridad. De lo contrario, la energía de microondas no fluirá dentro del horno.

**Si nada de lo anterior rectifica la situación, contacte con el agente de reparaciones autorizado más cercano.**

**Este aparato de uso doméstico es para calentar alimentos y bebidas utilizando energía electromagnética, sólo para uso interior.**

## GARANTÍA Y SERVICIO

Si necesita información o tiene algún problema, en contacto con el Servicio de Atención al Cliente de Gorenje en su país (hallará el número de teléfono en el folleto de la garantía mundial). Si no hay Servicio de Atención al Cliente de Gorenje en su país, dirijase a su distribuidor local Gorenje o póngase en contacto con el Service Department de Gorenje Domestic Appliances.

### ¡SÓLO PARA USO PERSONAL!

Puede encontrar recomendaciones adicionales para cocinar con microondas, grill y consejos útiles en la página:

<http://www.gorenje.es>

**LE DESEAMOS QUE DISFRUTE MIENTRAS UTILIZA SU APARATO**

**gorenje**

**GENTILE ACQUIRENTE**

La ringraziamo sinceramente per il Suo acquisto. Crediamo che Lei presto troverà una ampia conferma che ci si può affidare davvero sui nostri prodotti. Per rendere l'utilizzo dell'apparecchio più semplice, alleghiamo questo manuale di istruzioni esauriente.

Le istruzioni La aiuteranno a familiarizzare con il Suo nuovo apparecchio. Per favore, leggerle attentamente prima di utilizzare l'apparecchio per la prima volta.

In ogni caso, si prega di accertarsi che l'apparecchio fornito sia intatto. Se si riscontra qualsiasi danno dovuto al trasporto, contattare il proprio venditore o il magazzino locale da dove il prodotto è stato consegnato. Il numero di telefono si trova sul conto o sulla ricevuta di consegna.

Le auguriamo un uso piacevole del Suo nuovo elettrodomestico.



L'apparecchio è destinato esclusivamente per l'uso domestico per riscaldare alimenti e bevande utilizzando l'energia elettromagnetica. Solo per uso in ambienti interni.

**ISTRUZIONI PER L'USO**

Queste istruzioni sono destinate per l'utente.

Esse descrivono l'apparecchio e il modo come usarlo. Le istruzioni riguardano i diversi tipi di apparecchi, quindi si possono trovare alcune descrizioni di funzioni che potrebbero non essere presenti nel vostro apparecchio.



Non toccare mai le superfici di riscaldamento o apparecchi di cottura. Essi surriscaldarsi durante il funzionamento. Tenere i bambini a distanza di sicurezza. Vi è il rischio di ustioni!



L'energia a microonde e ad alta tensione! Non rimuovere il coperchio.

**ATTENZIONE!** L'apparecchiatura e le parti accessibili diventano calde durante l'utilizzo. È necessario prestare attenzione a non toccare gli elementi riscaldanti. Tenere lontani i bambini di età inferiore a 8 anni a meno che non siano costantemente sorvegliati. Questa apparecchiatura può essere utilizzata da bambini di età superiore a 8 anni e da persone con ridotte capacità mentali, sensoriali o fisiche oppure con poca esperienza o conoscenza solo se sorvegliate o precedentemente istruite in merito all'utilizzo sicuro dell'apparecchiatura e se hanno compreso i rischi che comporta. I bambini devono usare il forno soltanto in presenza di un adulto. La pulizia e la manutenzione non devono essere eseguite dai bambini a meno che questi non abbiano almeno 8 anni e siano sorvegliati.

- **AVVERTENZA:** quando l'apparecchio viene usato nel modo combinato si sprigionano le temperature molto alte (solo gli apparecchi con la funzione del grill).
- L'uso da parte dei bambini va sorvegliato dagli adulti.
- **AVVERTENZA :** Se la guarnizione dello sportello è



danneggiato, l'uso dell'apparecchio è vietato finchè non riparato da un tecnico autorizzato.

- **AVVERTENZA:** La riparazione d'apparecchio può essere eseguito solo da un tecnico autorizzato.
- **AVVERTENZA:** non riscaldare liquidi o altre pietanze nei recipienti troppo piccoli poichè possono esplodere.
- Non eliminare i piedini dal forno e non coprire le aperture di aerazione.
- Usare gli accessori adatti per l'uso nel microonde.
- Quando scaldate il cibo nei recipienti di plastica o di carta; quest'ultimi vanno sorvegliati durante il processo di riscaldamento per il pericolo di incendio del recipiente.
- Se notate il fumo, spegnete l'apparecchio e staccatelo dalla rete elettrica, mentre lo sportello lasciate chiuso per soffocare possibile incendio all'interno.
- Quando scaldate le bevande nel microonde, queste si scaldano molto velocemente e possono bollire e fuoriuscire dal recipiente. Fate molta attenzione.
- Per evitare le ustioni, prima dell'uso mischiare il contenuto e scuotere il biberon di latte per i neonati. Verificare sempre la temperatura del cibo o del liquido.
- Nel microonde non si devono scaldare le uova con la buccia o le uova sode poichè possono esplodere dopo che il riscaldamento nel microonde è terminato.
- Quando pulite gli interni del forno e le guarnizioni, dovete usare i detersivi delicati (non abrasivi) e una spugna morbida.
- Pulire regolarmente il forno dai residui di cibo.
- In quanto non provvedete alla regolare manutenzione e pulizia del forno, questo può provocare il

deterioramento delle superfici, la diminuzione della lunghezza di vita d'apparecchio e aumento di rischi durante il suo uso.

- Se il cavo di collegamento è danneggiato bisogna essere sostituito dal produttore o da un tecnico autorizzato.
- Fare attenzione che il cavo di alimentazione non sia posizionato sui bordi o sulla superficie del piano di lavoro.
- Non sostituire mai la lampadina interna del forno. La stessa deve essere sostituita da un centro di assistenza autorizzata Gorenje.
- Non cercate di sostituire da soli la lampadina del forno, e fatela sostituire solo da personale autorizzato. Se la lampadina si guasta, rivolgetevi al rivenditore o ad un tecnico di servizio GORENJE autorizzato.
- **ATTENZIONE!** Non utilizzare su nessuna parte del forno detergenti per forni commerciali, getti a vapore, abrasivi, detergenti ruvidi o che contengono idrossido di sodio né spugne abrasive. Pulire il forno a intervalli normali e rimuovere tutti i residui di alimenti.

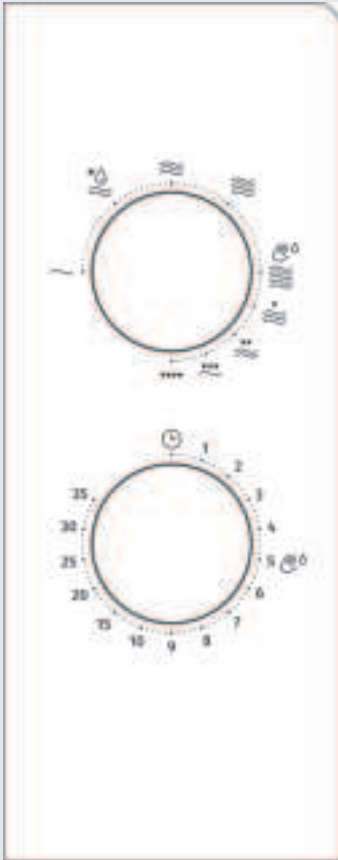
In Di seguito troverete alcune regole e norme di sicurezza che, come con per gli altri apparecchi, bisogna rispettare per assicurarsi un' uso sicuro e un funzionamento ottimale del forno:

1. Durante il funzionamento del forno tutti gli accessori all'interno del forno devono essere al loro posto (vasoio girevole,..) il piatto di vetro, il braccio del rullo, il collegamento elettrico e l'incastro per il rullo devono essere sempre al loro posto.
2. Non usare il forno per nessun altro scopo se non per la cottura di alimenti; non asciugate dentro vestiti, carta e altri oggetti e non usatelo per la sterilizzazione.
3. Non accendere mai il forno a vuoto perché potrebbe danneggiarsi.
4. Non conservare niente all'interno del forno p.e come carta, libri di ricette, etc.
5. Non cucinate gli alimenti con la membrana, tipo tuorli d'uova, patate, fegato di pollo ..che senza prima non avete bucato fare dei fori con la forchetta sulla membrana in nelle varie parti.
6. Non inserire alcun oggetto nelle aperture all'esterno del forno.
7. Non togliere rimuovere mai le parti del forno tipo piedini, viti, chiavistelli chiusure, etc.
8. Non cucinate gli alimenti direttamente sul vasoio piatto di vetro ma utilizzate sempre le stoviglie adatte o altri accessori adatti.

**IMPORTANTE:** GLI ACCESSORI CHE NON DEVONO ESSERE USATI NEL MICROONDE

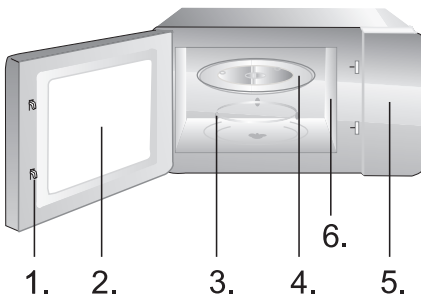
- Non usate le pentole di metallo o le stoviglie con le maniglie manici di in metallo.
- Non usate le stoviglie con bordi in metallo.
- Non usate i sigilli di metallo ricoperti di carta per la chiusura delle buste di plastica.
- Non usare le stoviglie di in melamina che in quanto contengono un materiale che assorbono assorbe l'energia del a microonde. Questo può provocare che la stoviglia si rompe lo scoppio o la bruciatura della stoviglia, o si brucia oppure inoltre rallenta il riscaldamento/cottura.
- Non usare le stoviglie non adatte per il senza l'adeguato rivestimento per l'uso del forno a microonde. Altrettanto Inoltre non usare le tazze coperte chiuse e con la maniglia i manici.
- Non preparare il cibo alimenti o le bevande nel in recipientie con l'apertura stretta p.e. quali nella bottigliae, perché si può possono rompere spaccare durante il riscaldamento.
- Non usare termometri abituali per carne e dolci. Potete usare solo termometri destinati ad' all'uso nei forni a microonde.

9. Gli accessori per il forno a microonde possono essere usati secondo le istruzioni del produttore.
10. Non cercate di friggere il cibo nel forno a microonde.
11. Fate attenzione che nel microonde si scaldia solo il liquido, ma non anche il recipiente. E' È possibile che quando togliete il coperchio, il liquido nella vaschetta nel recipiente produce il emana vapore oppure fuoriescono le goccioline anche se il coperchio stesso non è caldo.
12. Prima di consumare il cibo utilizzo bisogna sempre verificarne la temperatura del cibo, soprattutto se è destinato ai bambini. Consigliamo di non consumare il cibo/le bevande immediatamente dopo averle tolte dal forno a microonde. Bisogna lasciarle riposare per qualche minuto e mescolarle in modo che la temperatura si distribuisca omogeneamente.
13. Il cibo che contiene un miscuglio di il grasso e l'acqua deve rimanere dentro il forno dopo lo spegnimento per altri 30 - 60 secondi. Facendo così, lascerete calmare In tal modo il tutto miscuglio si stabilizza ed eviterete l'uscita la fuoriuscita di bolle quando entrerete inserite con il cucchiaino o metterete dentro il dado.
14. Durante la preparazione di certe pietanze come p.e. quali carne macinata, marmellata, budini, dovete fare l'attenzione perchè le pietanze si scaldano molto velocemente. Quando scaldate o cuocete le pietanze con una grande concentrazione di grassi o di zuccheri non dovete usare le vaschette in plastica.
15. Gli accessori che usate per la preparazione dei cibi nel forno a microonde si possono scaldare molto perchè il cibo emana il calore. Questo vale soprattutto per il coperchio o le maniglie manici ricoperte di plastica. Per prendere queste stoviglie usate i guanti o le presine da cucina.
16. Per diminuire la possibilità d'incendio all'interno del forno:
  - a) Attenzione a non cuocere troppo a lungo gli alimenti. Tenere sotto controllo il processo di riscaldamento quando nel forno sono presenti gli accessori di carta, plastica o altri materiali facilmente infiammabili.
  - b) Prima di inserire la busta nel forno eliminare senza i sigilli di metallo per chiudere le buste.
  - c) Se l'oggetto nel forno s'incendia, lasciare lo sportello del forno chiuso, spegnere il forno e staccare la spina dalla rete elettrica o rimuovere il fusibile principale dal pannello dei fusibili.

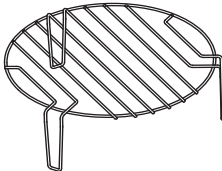


1 - Manopola per regolare la potenza di cottura

2 - Manopola per selezionare il tempo (0-35 minuti)



1. Chiusura di sicurezza dello sportello
2. Finestra del forno
3. Anello rotante
4. Piatto di vetro
5. Pannello di controllo
6. Guida onde (Si prega di non rimuovere la guida in mica che ricopre la guida onde).



Rete per il grill (Può essere utilizzata solo per la funzione grill o in combinazione con il microonde. Mettere la rete sempre sopra il piatto di vetro.

### ARRESTO TEMPORANEO / ARRESTO COMPLETO DELLA COTTURA

1. Per l'arresto temporaneo (interruzione) della cottura: aprire lo sportello e la cottura si blocca, per continuare richiudere lo sportello.
2. Per un completo arresto (annullamento) della cottura: ruotare la manopola per selezionare il tempo posizionandola su 0.

### SCONGELAMENTO DEL CIBO



La funzione di scongelamento consente di scongelare carne, pollame e pesce. Mettere il cibo congelato nel mezzo del forno e chiudere lo sportello.

1. Muovere la manopola per impostare la potenza dei raggi su »DEFROST« (scongelamento).
2. Ruotando la manopola per regolare il tempo di cottura selezionare il tempo desiderato.

**NOTA:** Dopo la scadenza del tempo si sente un segnale acustico. Il tempo di cottura può venire cambiato in qualsiasi momento.

### COTTURA / RISCALDAMENTO



La procedura seguente descrive come cucinare o riscaldare il cibo. Controllare **SEMPRE** le impostazioni di cottura prima di allontanarsi dal forno in funzionamento. In primo luogo, mettere il cibo al centro del forno e chiudere lo sportello.

1. Con la manopola per impostare la potenza dei raggi, impostate il livello di potenza 17%, 33%, 55%, 77%, 100%.
2. Con la manopola per impostare il tempo, selezionare la durata appropriata di cottura. La luce all'interno del forno si accende.
3. Durante la cottura è possibile, ruotando la manopola per impostare la potenza dei raggi, cambiarne la potenza.

### FUNZIONAMENTO COMBINATO 1



Il forno funzionerà per il 20 per cento del tempo con il microonde, per l'80 per cento del tempo con il grill elettrico. Questa modalità di funzionamento è adatta per la preparazione di pesci o di piatti gratinati.

Se si desidera, ad esempio, impostare un funzionamento combinato per 25 minuti, effettuare le seguenti operazioni:

1. Aprire lo sportello del forno e mettere il cibo sulla griglia. Richiudere lo sportello.
2. Ruotare la manopola in posizione »COMB 1«.
3. Impostare la durata di cottura adatta con la manopola per impostare il tempo (25min). La luce all'interno del forno si accende.

## FUNZIONAMENTO COMBINATO 2



**Il forno funzionerà per il 30 per cento del tempo con il microonde, per il 70 per cento del tempo con il grill elettrico. Questa modalità di funzionamento è adatta per la preparazione di budini, sformati, frittate, patate al forno e pollame.**

**Se si desidera, ad esempio, impostare un funzionamento combinato per 25 minuti, effettuare le seguenti operazioni:**

1. Aprire lo sportello del forno e mettere il cibo sulla griglia. Richiudere lo sportello.
2. Ruotare la manopola in posizione »COMB 2«.
3. Impostare la durata di cottura adatta con la manopola per impostare il tempo (25min). La luce all'interno del forno si accende.

## FUNZIONAMENTO COMBINATO 3



**Il forno funzionerà per il 40 per cento del tempo con il microonde, per il 60 per cento del tempo con il grill elettrico. Questa modalità di funzionamento è adatta per la preparazione di budini, sformati, frittate, patate al forno e pollame.**

**Se si desidera, ad esempio, impostare un funzionamento combinato per 25 minuti, effettuare le seguenti operazioni:**

1. Aprire lo sportello del forno e mettere il cibo sulla griglia. Richiudere lo sportello.
2. Ruotare la manopola in posizione »COMB 3«.
3. Impostare la durata di cottura adatta con la manopola per impostare il tempo (25min). La luce all'interno del forno si accende.

## GRILL




**La cottura con il grill è particolarmente adatta per le fette sottili di carne, bistecche, bracirole, spiedini, salsicce, o pezzi di pollo. Il grill è adatto anche per preparare panini caldi e piatti gratinati.**


**Ad esempio: si supponga di voler preparare il cibo con il grill per 12 minuti:**

1. Aprire lo sportello del forno e mettere il cibo sulla griglia. Richiudere lo sportello.
2. Ruotare la manopola in posizione "GRILL".
3. Impostare la durata di cottura adatta con la manopola per impostare il tempo. La luce all'interno del forno si accende.

## PULIZIA AUTOMATICA - AQUACLEAN



Per la consueta pulizia del forno consigliamo la seguente procedura: La manopola per regolare la potenza di cottura deve essere girata su .

Versare 200 ml di acqua in un bicchiere, inserirlo nel microonde, chiudere lo sportello, la manopola per selezionare il tempo deve essere girata su . Una volta trascorso il tempo rimuovere il bicchiere e il la piastra girevole e pulire l'interno del forno con un panno asciutto.

1. Prima di effettuare la pulizia del forno bisogna staccare il cavo di collegamento dalla rete elettrica.
2. L'interno del forno deve essere sempre pulito. Quando i pezzi di cibo, il liquido fuoriuscito o le gocce di grasso sporcano le pareti interne del forno, bisogna pulirle subito con una spugna umida. L'uso dei detersivi abrasivi e aggressivi non è consigliabile.
3. La parte esterna del forno va pulita con una spugna umida. Per evitare i danni ai pezzi all'interno del forno, fate attenzione di non rovesciare dell'acqua nelle aperture di aerazione.
4. Non bagnate il pannello di comando. Pulirlo con una spugna morbida, umida. Per la pulizia di pannello di comando non dovete usare detersivi aggressivi, abrasivi o spray.
5. Se si accumula il vapore all'interno o all'esterno sulle superfici del forno, va asciugato con un panno morbido. Questo può succedere se usate il forno a microonde negli ambienti molto umidi e certo non è indice di malfunzionamento del forno.
6. Ogni tanto bisogna estrarre il vasoio di vetro e lavarlo. Lo si può lavare nell'acqua tiepida con l'aggiunta di detersivo per piatti o nella lavastoviglie.
7. Il cerchio e il fondo del forno all'interno del forno deve sempre essere pulito, altrimenti il funzionamento è rumoroso. Pulire il fondo del forno con una spugna umida e il detersivo oppure con il spray per vetri ed asciugare per bene. Il cerchio su cui è appoggiato il vasoio di vetro può essere lavato anche nella lavastoviglie. Dopo un'uso prolungato si possono accumulare sulle rotelline del cerchio i vapori della cottura, ma questo non incide sul funzionamento del cerchio. Quando state eliminando il cerchio dal fondo del forno, fate attenzione a rimetterlo correttamente al suo posto.
8. Possibile odore sgradevole dal forno a microonde può essere eliminato posizionando nel forno una ciottola con dell'acqua e la buccia di limone. Accendere il forno per 5 minuti e quando si spegne pulire ed asciugare l'interno con un panno morbido.
9. Se dovete sostituire la lampadina all'interno del forno, rivolgetevi al venditore.



SI RISERVA IL DIRITTO DI APPORTARE QUALSIASI MODIFICA CHE NON INFLUISCE SULLE FUNZIONALITÀ DELL'APPARECCHIO.

## ISTRUZIONI DI FUNZIONAMENTO

### MONTAGGIO DEL FORNO A MICROONDE

1. Verificare se avete tolto dall'interno dello sportello tutto il materiale d' d'imballaggio. Non rimuovere il cartone di protezione che serve da protezione del magnetron.
2. Quando eliminate l'imballaggio verificare se ci sono danni visibili nel forno tipo:
  - sportello appeso inclinato,
  - sportello danneggiato,
  - ammaccature e buchini nel vetro dello sportello o sul display,
  - ammaccature all'interno del forno.Non usare il forno a microonde se notate qualcuno dei danni sopraindicati.
3. Il forno a microonde pesa circa 11 kg; bisogna posizionarlo sulla su una superficie dritta e forte che sosterrà questo peso.
4. Posizionare il forno lontano dai fonti di alte temperature e di umidità.
5. Non posizionare niente sotto il forno.
6. Per assicurare l'aerazione a sufficienza bisogna lasciare uno spazio ai lati del forno di almeno 20 cm e sopra il forno di almeno 30 cm.
7. Non togliere la giunzione di appoggio l'albero di trasmissione del vasoio piatto girevole.
8. Come con tutti gli altri apparecchi, l'uso da parte dei bambini deve essere sorvegliato dagli adulti.
9. La presa elettrica deve essere facilmente accessibile per consentire il rapido scollegamento dell'unità in caso di emergenza. Oppure deve essere possibile isolare il forno dall'alimentazione azionando l'apposito interruttore nell'impianto in conformità con le norme impiantistiche. Collegare l'elettrodomestico ad una presa installata monofase con corrente alternata 230 V/50 Hz mediante una presa di terra correttamente installata. **ATTENZIONE! IL PRESENTE APPARECCHIO DEVE ESSERE COLLEGATO A TERRA.** Il costruttore produttore declina qualsiasi responsabilità in caso di mancata osservanza di questa misura di sicurezza.
10. Il forno necessita di 1,3 kVA di potenza d'entrata. Consigliamo di consultarsi con un tecnico riguardo al collocamento del forno.

**ATTENZIONE: Il forno possiede la propria protezione e cioè il fusibile 250V, 8A.**

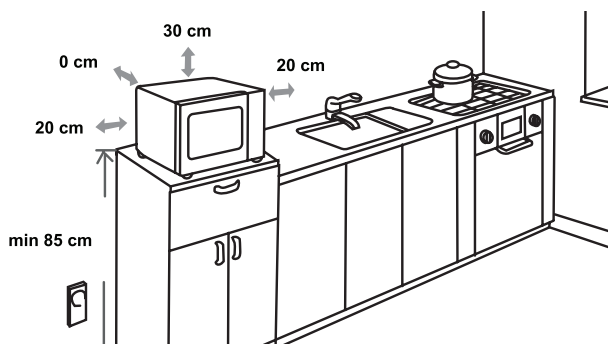
## SPECIFICAZIONI

Consumo energia elettrica ..... 220-240V-50Hz, 1280W  
Potenza d'uscita ..... 800W  
Bruciatore per grill: ..... 1000W  
Frequenza di funzionamento: ..... 2450MHz  
Misure esterne: ..... 455 x 353 x 261 mm  
Volume del forno: ..... 20 litri  
Peso senza imballaggio ..... Circa 11 kg  
Livello rumore: ..... Lc < 58 dB(A) Lc



**Questo apparecchio dispone di contrassegno ai sensi della direttiva europea 2012/19/EU in materia di apparecchi elettrici ed elettronici (waste electrical and electronic equipment - WEEE). Questa direttiva definisce le norme per la raccolta e il riciclaggio degli apparecchi dimessi valide su tutto il territorio dell'Unione Europea.**

## POSIZIONAMENTO



## INTERFERENZE RADIO

Il forno a microonde può provocare le interferenze disturbi di ricevitmento agli apparecchi radio, nei Vostri aparecchi (alla televisione, radio e altri apparecchi simili). Se si verificano le interferenze, quest'ultime si possono eliminare o diminuire con i seguenti accorgimenti:

- Pulire lo sportello e le superfici delle guarnizioni del forno.
- Place the radio, TV, etc. as far away from your microwave oven as possible.
- Use a properly installed antenna for your radio, TV, etc. to get a strong signal reception.
- Posizionare la radio, TV, ecc. il più lontano possibile dal forno a microonde.
- Utilizzare un'antenna correttamente installata per la radio, TV, ecc. per ottenere un segnale forte di ricezione.

## PRIMA DI CHIAMARE IL SERVIZIO D'ASSISTENZA

1. Se il forno non funziona affatto, se sul display non appare niente o se il display si spegne:
  - a) Verificare se il forno è collegato correttamente alla rete elettrica. Se non è così, togliete la spina dalla presa di corrente, aspettate 10 secondi e ricollegatelo di nuovo.
  - b) Verificare se si è bruciato qualche fusibile oppure si è interrotta la corrente elettrica sul fusibile generale. Se non ci sono problemi con i fusibili, verificare la presa con un'altro apparecchio elettrico.
2. Se il forno a microonde non scalda cioè non emana l'energia delle onde magnetiche:
  - a) Verificare se il timer è impostato bene.
  - b) Verificare se lo sportello è chiuso bene e se le chiusure di sicurezza sono a posto, altrimenti l'energia del microonde non si emanerà.

**Se con l'aiuto dei consigli sopra indicati non avete risolto i problemi, vi dovete rivolgere al servizio d'assistenza autorizzato più vicino.**

**Nota: L'apparecchio è destinato all'uso domestico per riscaldare le pietanze e le bevande con l'aiuto di energia elettromagnetica. Usare l'apparecchio solo negli ambienti chiusi.**

## GARANZIA E ASSISTENZA

Per ulteriori informazioni o eventuali problemi, contattate il Centro Assistenza Clienti Gorenje locale (il numero di telefono è riportato nella foglio di garanzia internazionale). Qualora non fosse disponibile un Centro Assistenza Clienti locale nel vostro Paese, rivolgetevi al rivenditore autorizzato Gorenje oppure contattate il Reparto assistenza Gorenje Domestic Appliances per gli elettrodomestici.

### **Solo per l'uso personale!**

Altri consigli per la cottura con il forno a microonde e con il grill troverete sul sito internet:

<http://www.gorenje.it>

**CI PRENDIAMO IL DIRITTO DI CAMBIAMENTI!  
UTILIZZANDO IL FORNO A MICROONDE VI AUGURA  
MOLTO PIACERE LA GORENJE**

**gorenje**

[www.gorenje.com](http://www.gorenje.com)

