

# SIEMENS

CS736G1.1

# Combi steam oven



EN User manual and installation instructions

Siemens Home Appliances

Register your appliance on My Siemens and  
discover exclusive services and offers.



**Futher information and explanations are available online:**



## Table of contents

### INFORMATION FOR USE

|    |  |    |
|----|--|----|
| 1  | Safety.....  | 2  |
| 2  | Preventing material damage .....                         | 4  |
| 3  | Environmental protection and saving energy .....         | 5  |
| 4  | Familiarising yourself with your appliance .....         | 6  |
| 5  | Cooking Functions.....                                   | 8  |
| 6  | Accessories.....   | 9  |
| 7  | Before using for the first time .....                    | 11 |
| 8  | Basic operation .....                                    | 12 |
| 9  | Rapid heating .....                                      | 14 |
| 10 | Time-setting options.....                                | 14 |
| 11 | Steaming.....  | 15 |
| 12 | Dishes .....   | 19 |
| 13 | Favourites.....  | 20 |
| 14 | Childproof lock.....                                     | 21 |
| 15 | Basic settings.....                                      | 21 |
| 16 | Home Connect .....                                       | 22 |
| 17 | Cleaning and servicing.....                              | 24 |
| 18 | Cleaning aid humidClean .....                            | 26 |
| 19 | Descaling.....   | 26 |
| 20 | Drying function .....                                    | 27 |
| 21 | Appliance door.....                                      | 27 |
| 22 | Rails .....  | 31 |
| 23 | Troubleshooting.....                                     | 32 |
| 24 | Disposal.....  | 34 |
| 25 | Customer Service.....                                    | 34 |
| 26 | Information regarding Free and Open Source Software..... | 35 |
| 27 | Declaration of Conformity .....                          | 35 |
| 28 | How it works.....  | 35 |

|      |  |    |
|------|--|----|
| 29   | INSTALLATION INSTRUCTIONS .....        | 44 |
| 29.1 | General installation instructions..... | 44 |



## 1 Safety

Observe the following safety instructions.

### 1.1 General information

- Read this instruction manual carefully.
- Keep the instruction manual and the product information safe for future reference or for the next owner.
- Do not connect the appliance if it has been damaged in transit.

### 1.2 Intended use

This appliance is designed only to be built into kitchen units. Read the special installation instructions.

Only a licensed professional may connect appliances without plugs. Damage caused by incorrect connection is not covered under the warranty.

Only use this appliance:

- To prepare meals and drinks.
- in private households and in enclosed spaces in a domestic environment.
- up to an altitude of max. 2000 m above sea level.

### 1.3 Restriction on user group

This appliance may be used by children aged 8 or over and by people who have reduced physical, sensory or mental abilities or inadequate experience and/or knowledge, provided that they are supervised or have been instructed on how to use the appliance safely and have understood the resulting dangers.

Do not let children play with the appliance. Children must not perform cleaning or user maintenance unless they are at least 15 years old and are being supervised.

Keep children under the age of 8 years away from the appliance and power cable.

#### 1.4 Safe use

Always place accessories in the cooking compartment the right way round.

→ "Accessories", Page 9

#### **⚠ WARNING – Risk of fire!**

Combustible objects that are left in the cooking compartment may catch fire.

- ▶ Never store combustible objects in the cooking compartment.
- ▶ If smoke is emitted, the appliance must be switched off or the plug must be pulled out and the door must be held closed in order to stifle any flames.

Loose food remnants, fat and meat juices may catch fire.

- ▶ Before using the appliance, remove the worst of the food residues and remnants from the cooking compartment, heating elements and accessories.

Opening the appliance door creates a draught. Greaseproof paper may come into contact with the heating element and catch fire.

- ▶ Never place greaseproof paper loosely over accessories when preheating the appliance and while cooking.
- ▶ Always cut greaseproof paper to size and use a plate or baking tin to hold it down.

#### **⚠ WARNING – Risk of burns!**

The appliance and its parts that can be touched become hot during use.

- ▶ Caution should be exercised here in order to avoid touching heating elements.
- ▶ Young children under 8 years of age must be kept away from the appliance.

Accessories and cookware get very hot.

- ▶ Always use oven gloves to remove accessories or cookware from the cooking compartment.

When the cooking compartment is hot, any alcoholic vapours inside may catch fire. The appliance door may spring open. Hot steam and jets of flame may escape.

- ▶ Only use small quantities of drinks with a high alcohol content in food.
- ▶ Do not heat spirits ( $\geq 15\%$  vol.) when undiluted (e.g. for marinating or pouring over food).
- ▶ Open the appliance door carefully.

#### **⚠ WARNING – Risk of scalding!**

The accessible parts of the appliance become hot during operation.

- ▶ Never touch these hot parts.
- ▶ Keep children at a safe distance.

Hot steam may escape when you open the appliance door. Steam may not be visible, depending on the temperature.

- ▶ Open the appliance door carefully.
- ▶ Keep children at a safe distance.

If there is water in the cooking compartment when it is hot, this may create hot steam.

- ▶ Never pour water into the cooking compartment when the cooking compartment is hot.

#### **⚠ WARNING – Risk of injury!**

Scratched glass in the appliance door may develop into a crack.

- ▶ Do not use any harsh or abrasive cleaners or sharp metal scrapers to clean the glass on the oven door, as they may scratch the surface.

The appliance and its parts that can be touched may have sharp edges.

- ▶ Take care when handling and cleaning them.
  - ▶ If possible, wear protective gloves.
- The hinges on the appliance door move when the door is opened and closed, which could trap your fingers.

▶ Keep your hands away from the hinges. Components inside the appliance door may have sharp edges.

- ▶ Wear protective gloves.

#### **⚠ WARNING – Risk of electric shock!**

Incorrect repairs are dangerous.

- ▶ Repairs to the appliance should only be carried out by trained specialist staff.
- ▶ Only use genuine spare parts when repairing the appliance.
- ▶ If the power cord of this appliance is damaged, it must be replaced by trained specialist staff.

If the insulation of the power cord is damaged, this is dangerous.

- ▶ Never let the power cord come into contact with hot appliance parts or heat sources.
- ▶ Never let the power cord come into contact with sharp points or edges.
- ▶ Never kink, crush or modify the power cord.

An ingress of moisture can cause an electric shock.

- ▶ Do not use steam- or high-pressure cleaners to clean the appliance.

If the appliance or the power cord is damaged, this is dangerous.

- ▶ Never operate a damaged appliance.
- ▶ Never pull on the power cord to unplug the appliance. Always unplug the appliance at the mains.
- ▶ If the appliance or the power cord is damaged, immediately unplug the power cord or switch off the fuse in the fuse box.
- ▶ Call customer services. → *Page 34*

### **⚠ WARNING – Risk of suffocation!**

Children may put packaging material over their heads or wrap themselves up in it and suffocate.

- ▶ Keep packaging material away from children.
- ▶ Do not let children play with packaging material.

Children may breathe in or swallow small parts, causing them to suffocate.

- ▶ Keep small parts away from children.
- ▶ Do not let children play with small parts.

## **1.5 Steam**

Follow these instructions when using a steam function.

### **⚠ WARNING – Risk of scalding!**

The water in the water tank may become very hot if you operate the appliance for long periods.

- ▶ Always empty the water tank after using the steam function.

Hot steam is generated in the cooking compartment.

- ▶ Do not reach into the cooking compartment when using steam.

Hot liquid may spill over the sides of the accessory when it is removed from the cooking compartment.

- ▶ Remove hot accessories with care and always wear oven gloves.

### **⚠ WARNING – Risk of fire!**

Due to the hot surfaces, vapours from flammable liquids may catch fire in the cooking compartment (explosion). The appliance door may spring open. Hot steam and jets of flame may escape.

- ▶ Do not pour flammable liquids (e.g. alcoholic drinks) into the water tank.
- ▶ Only fill the water tank with water or with the descaling solution we have recommended.

---

## **2 Preventing material damage**

### **2.1 General**

#### **ATTENTION!**

Alcoholic vapours may catch fire in the hot cooking compartment and cause permanent damage to the appliance. The appliance door may spring open due to an explosion and it may fall off. The door panels may shatter and fragment. Due to the resulting negative pressure, the cooking compartment may become considerably deformed inwards.

- ▶ Do not heat spirits ( $\geq 15\%$  vol.) when undiluted (e.g. for marinating or pouring over food).

If there is water on the cooking compartment floor when operating the appliance at temperatures above  $120\text{ }^{\circ}\text{C}$ , this will damage the enamel.

- ▶ Do not use the appliance if there is water on the cooking compartment floor.
- ▶ Wipe away any water on the cooking compartment floor before operation.

Objects on the cooking compartment floor at over  $50\text{ }^{\circ}\text{C}$  will cause heat to build up. The baking and roasting times will no longer be correct and the enamel will be damaged.

- ▶ Do not place any accessories, greaseproof paper or foil of any kind on the cooking compartment floor.
- ▶ Only place cookware on the cooking compartment floor if a temperature under  $50\text{ }^{\circ}\text{C}$  has been set.

When the cooking compartment is hot, any water inside it will create steam. The change in temperature may cause damage.

- ▶ Never pour water into the cooking compartment when it is still hot.
- ▶ Never place cookware containing water on the cooking compartment floor.

The prolonged presence of moisture in the cooking compartment leads to corrosion.

- ▶ Allow the cooking compartment to dry after use. To do this, open the cooking compartment door completely or use the drying function.
- ▶ Do not keep moist food in the cooking compartment for a long time with the door closed.
- ▶ Do not store food in the cooking compartment.

- ▶ Take care not to trap anything in the appliance door.

Fruit juice dripping from the baking tray leaves stains that cannot be removed.

- ▶ When baking very juicy fruit flans, do not pack too much on the baking tray.
- ▶ If possible, use the deeper universal pan.

Using oven cleaner in a hot cooking compartment damages the enamel.

- ▶ Never use oven cleaner in the cooking compartment when it is still warm.
- ▶ Remove all food remnants from the cooking compartment and the appliance door before you next heat up the appliance.

If the seal is very dirty, the appliance door will no longer close properly during operation. This may damage the front of adjacent kitchen units.

- ▶ Keep the seal clean at all times.
- ▶ Never operate the appliance if the seal is damaged or missing.

Sitting or placing objects on the appliance door may damage it.

- ▶ Do not place, hang or support objects on the appliance door.
- ▶ Do not place cookware or accessories on the appliance door.

With certain models, accessories may scratch the door pane when closing the appliance door.

- ▶ Always push accessories fully into the cooking compartment.

If aluminium foil comes into contact with the door pane, it could cause permanent discolouration.

- ▶ Do not allow aluminium foil in the cooking compartment to come into contact with the door pane.

## 2.2 Steam

Follow these instructions when using the steam function.

### ATTENTION!

Silicone bakeware is not suitable for combined operation with steam.

- ▶ Cookware must be heat- and steam-resistant.

Using cookware with rust spots may cause corrosion in the cooking compartment. Even the smallest spots of rust can cause corrosion.

- ▶ Do not use cookware with rust spots.

Dripping liquids make the cooking compartment floor dirty.

- ▶ When steaming with a perforated cooking container, always place the baking tray, the universal pan or the unperforated cooking container underneath. This will catch any liquid that drips down.

Hot water in the water tank may damage the steam system.

- ▶ Only fill the water tank with cold water.

If there is water on the cooking compartment floor when operating the appliance at temperatures above 120 °C, this will damage the enamel.

- ▶ Do not use the appliance if there is water on the cooking compartment floor.
- ▶ Wipe away any water on the cooking compartment floor before operation.

A lot of steam is produced during operation with the types of steam heating. Condensate that collects in the drip trough underneath the cooking compartment may overflow and damage adjacent units.

- ▶ Do not open the appliance door, or open it as infrequently as possible, while the appliance is in operation.

If descaling solution comes into contact with the control panel or other delicate surfaces, it will damage them.

- ▶ Remove descaling solution immediately with water. Cleaning the water tank in the dishwasher will damage it.

- ▶ Do not clean the water tank in the dishwasher.

- ▶ Clean the water tank with a soft cloth and standard washing-up liquid.

If several steam operations are carried out one after the other without wiping out the cooking compartment floor and the condensate tray afterwards in each case, the water collected may overflow and may damage furniture panels or bases.

- ▶ Wipe down the cooking compartment floor and the condensate tray after every steam operation.

# 3 Environmental protection and saving energy

## 3.1 Disposing of packaging

The packaging materials are environmentally compatible and can be recycled.

- ▶ Sort the individual components by type and dispose of them separately.

## 3.2 Saving energy

If you follow these instructions, your appliance will use less power.

Only preheat the appliance if the recipe or the recommended settings tell you to do so.

→ "How it works", Page 35

- Not preheating the appliance can reduce the energy used by up to 20%.

Use dark-coloured, black-coated or enamelled baking tins.

- These types of baking tin absorb the heat particularly well.

Open the appliance door as little as possible during operation.

- This maintains the temperature in the cooking compartment and eliminates the need for the appliance to reheat.

When baking multiple dishes, do so in succession or in parallel.

- The cooking compartment is heated after baking the first dish. This reduces the baking time for the second cake.

If the cooking time is relatively long, you can switch the appliance off 10 minutes before the cooking time ends.

- There will be enough residual heat to finish cooking the dish.

Remove any accessories that are not being used from the cooking compartment.

- Accessories that are not being used do not need to be heated.

Allow frozen food to defrost before cooking.

- This saves the energy that would otherwise be required to defrost it.

Switch off the display in the basic settings.

→ "Basic settings", Page 21

- Energy is saved when the display is switched off.

**Note:**

The appliance requires:

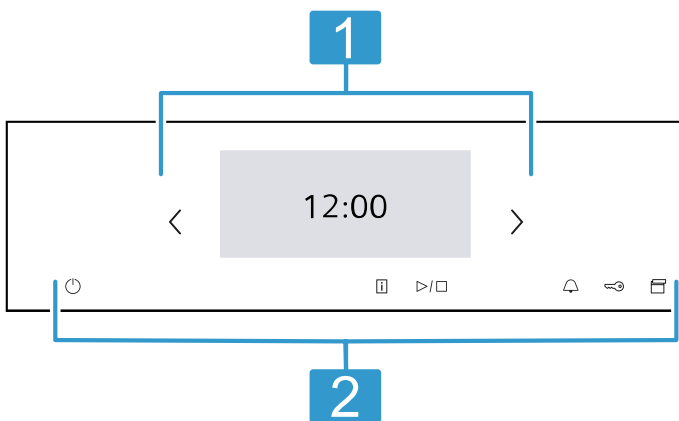
- A maximum of 2 W in networked standby mode
- A maximum of 0.5 W in non-networked standby mode with the display switched off

## 4 Familiarising yourself with your appliance

### 4.1 Control panel

You can use the control panel to configure all functions of your appliance and to obtain information about the operating status.

On certain models, specific details such as colour and shape may differ from those pictured.



**1 Display**  
The display shows the current adjustment values, options or notes.  
→ "Display", Page 6

**2 Buttons**  
You can use the buttons to set various functions directly.  
→ "Buttons", Page 7

### 4.2 Display

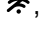

The display is divided into different areas.

#### Status bar

The status bar is at the top of the display. You can carry out actions depending on the setting step.

| Symbol | Function                 |
|--------|--------------------------|
| ←      | Go back one setting.     |
| ⚙      | Open the basic settings. |

In addition to the text information, you can see the current status of different functions using symbols.



| Symbol                | Meaning   |
|-----------------------|---|
| Time, e.g. "12min10s" | Display of the current time-setting options.<br>→ "Time-setting options", Page 14   |
| 🔔                     | Timer is activated.<br>→ "Setting the timer", Page 15   |
| 🔑                     | The childproof lock is activated.<br>→ "Childproof lock", Page 21   |
| 📶                     | Wi-Fi signal strength for Home Connect. The more lines of the symbol are filled, the better the signal. If the symbol is struck through  , there is no Wi-Fi signal. If there is an "x" at the symbol  , there is no connection to the Home Connect server.<br>→ "Home Connect ", Page 22 |
| 📱                     | Remote start with Home Connect is activated.<br>→ "Home Connect ", Page 22  |
| 🔧                     | Remote diagnostics with Home Connect for maintenance is activated.<br>→ "Home Connect ", Page 22  |
| 💡                     | The oven light is on or off.<br>→ "Lighting", Page 7  |

#### Settings area

The settings area is shown in tiles. The individual tiles show you the current selection options and settings that have already been implemented. To select a function, press the corresponding tile. Information is also shown in tiles. To scroll to the left or right if there are several tiles, use the navigation buttons < and >, or swipe over the display.

#### Possible symbols in tiles

| Symbol | Meaning  |
|--------|--|
| ^      | Scroll if there is a lot of content in the tile. |
| v      | Decrease or increase the adjustment value.       |
| +      | Decrease or increase the adjustment value.       |
| 1234   | Enter the adjustment value via the number field. |

| Symbol   | Meaning                     |
|--|-----------------------------|
|  | Reset the adjustment value. |
|  | Close the tile.             |





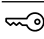

**Note:** A blue dot or a blue star in a tile indicates that a new function, a new favourite or an update was downloaded to your device using the Home Connect app.

### Info line

Depending on the setting step, you can see additional information about your setting at the bottom of the display and can carry out actions.

## 4.3 Buttons

You can use the buttons to directly select various functions.

| Button   | Function   |
|--|--|
|    | Switch the appliance on or off.<br>→ "Basic operation", Page 12  |
|    | Display additional information about a function or setting.<br>→ "Displaying information", Page 13                   |
|    | Start or pause the operation.<br>→ "Basic operation", Page 12  |
|    | Select the timer.<br>→ "Setting the timer", Page 15  |
|  | Press and hold for approx. 4 seconds:<br>Activate or deactivate the childproof lock.<br>→ "Childproof lock", Page 21 |
|  | Open the control panel to remove the water tank.<br>→ "Filling the water tank", Page 15                              |

## 4.4 Cooking compartment

Various functions in the cooking compartment provide support when operating your appliance.

### Shelf supports

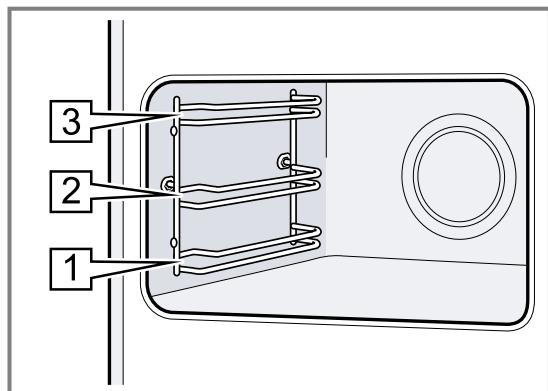
The shelf supports in the cooking compartment enable you to place accessories at different heights.

→ "Accessories", Page 9

Your appliance has 3 shelf positions. The shelf positions are numbered from bottom to top.

You can remove the shelf supports, e.g. for cleaning.

→ "Rails", Page 31



## Self-cleaning surfaces

The back panel in the cooking compartment is self-cleaning. The self-cleaning surfaces are coated with a porous, matt ceramic layer and have a rough surface. When the appliance is in operation, the self-cleaning surfaces absorb splashes from roasting or grilling and break them down.

If the self-cleaning surfaces no longer clean themselves adequately during operation, heat up the cooking compartment specifically to the right temperature.

→ "Regenerating self-cleaning surfaces in the cooking compartment", Page 25

## Lighting

One or more oven lights illuminate the cooking compartment.

When you open the appliance door, the light in the cooking compartment switches on. If the appliance door remains open for longer than around 18 minutes, the light switches off again.

For most operating modes, the lighting is switched on during operation. The lighting switches off again when the operation ends.

## Cooling fan

The cooling fan switches on and off depending on the appliance's temperature. The hot air escapes above the door.

### ATTENTION!

Covering the ventilation slots will cause the appliance to overheat.

- ▶ Do not cover the ventilation slots.

To ensure that the appliance cools down more quickly after operation, the cooling fan continues to run for a certain period afterwards.

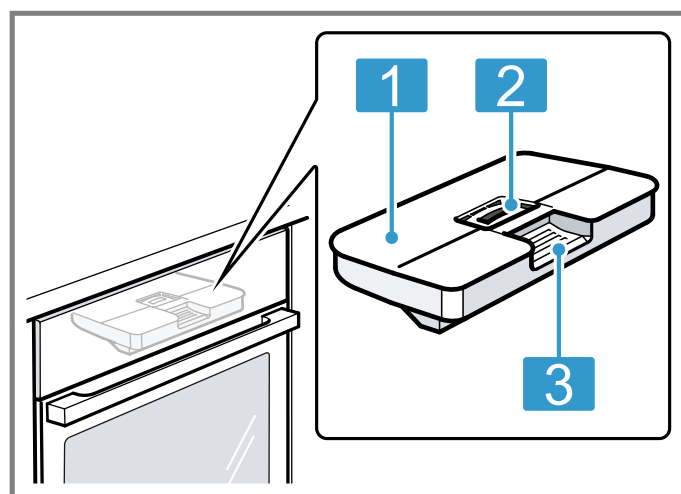
## Appliance door

If you open the appliance door during operation, the operation stops. If you close the appliance door, operation resumes automatically.

## Water tank

You need the water tank for the types of steam heating. The water tank is behind the control panel.

→ "Filling the water tank", Page 15



1 Tank cover

**2** Opening for filling and emptying

**3** Handle for removing and inserting

## 5 Cooking Functions

This is where you can find an overview of your appliance's operating modes and main functions.

**Tip:** Depending on the appliance type, additional or more comprehensive functions are available to you with the Home Connect app. You can find more information about this in the app.

| Operating mode   | Use  |
|------------------|--|
| Types of heating | Select finely tuned types of heating for the optimal preparation of your food.<br>→ "Types of heating", Page 8<br>→ "Basic operation", Page 12 |
| Dishes           | Use programmed, recommended settings for various types of food.<br>→ "Dishes", Page 19   |
| Steam            | Gently prepare food with types of steam heating.<br>→ "Steaming", Page 15  |

| Operating mode | Use   |
|----------------|---|
| Cleaning       | Select the cleaning function for the cooking compartment.<br>→ "Cleaning aid 'humidClean'", Page 26<br>→ "Descaling", Page 26<br>→ "Drying function", Page 27 |
| Favourites     | Use your own saved settings.<br>→ "Favourites", Page 20   |

### Home Connect

With Home Connect, you can connect and remotely control the oven with a mobile device, and use the full functionality of the appliance.

Depending on the appliance type, additional or more comprehensive functions are available for your appliance with the Home Connect app. You can find more information about this in the app.  
→ "Home Connect ", Page 22







### 5.1 Types of heating

To ensure that you always find the right type of heating to cook your food, we explain the differences and applications below.








The symbols for each type of heating help you to remember them.

When you select a type of heating, the appliance suggests a suitable temperature or setting. You can use these values or change them within the specified range.

For grill setting 3, the appliance reduces the temperature to grill setting 1 after approx. 40 minutes.

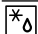



| Symbol   | Type of heating         | Temperature range                                    | What it's used for and how it works<br>Possible additional functions   |
|--|-------------------------|--|--|
|  | 4D hot air              | 30 - 250 °C  | Bake or roast on one or more levels. The fan distributes the heat from the ring-shaped heating element in the back wall evenly around the cooking compartment.   |
|  | Top/bottom heating      | 30 - 250 °C  | Traditionally bake or roast on one level. This type of heating is especially good for cakes with moist toppings. The heat is emitted evenly from above and below.  |
|  | Hot air gentle          | 125 - 250 °C   | Cook selected dishes gently on one level without preheating. The fan distributes the heat from the ring-shaped heating element in the back wall evenly around the cooking compartment. The food is cooked in phases using residual heat. Always keep the appliance door closed when cooking. This type of heating is used to determine the energy consumption in air recirculation mode and the energy efficiency class. |
|  | Top/bottom heat gentle  | 150 - 250 °C   | Gently cook selected dishes. Heat is emitted from above and below. This type of heating is used to measure the energy consumption in the conventional mode.  |
|  | Circulated air grilling | 30 - 250 °C  | Roast poultry, whole fish or larger pieces of meat. The grill element and the fan switch on and off alternately. The fan circulates the hot air around the food.   |
|  | Grill, large area       | Grill settings:<br>1 = low<br>2 = medium<br>3 = high | Grill flat items such as steak and sausages, or make toast. Gratinated food. The entire area below the grill element becomes hot.  |



| Symbol  | Type of heating         | Temperature range                                    | What it's used for and how it works<br>Possible additional functions  |
|---|-------------------------|--|---|
|  | Grill, small area       | Grill settings:<br>1 = low<br>2 = medium<br>3 = high | Grill small quantities, such as steak, sausages or toast. Gratinate small quantities of food.<br>The central area below the grill element becomes hot.  |
|  | Pizza setting           | 30 - 250 °C  | Cook pizza or food that requires a lot of heat from below.<br>The bottom heating element and the ring-shaped heating element in the back wall heat the cooking compartment.                     |
|  | CoolStart function      | 30 - 250 °C  | For the quick preparation of frozen products without preheating.<br>The temperature is determined by the manufacturer's specifications. Use the highest temperature specified on the packaging. |
|  | Low-temperature cooking | 70 - 120 °C  | Slowly and gently cook seared, tender pieces of meat in uncovered cookware.<br>The heat is emitted evenly from above and below at a low temperature.  |
|  | Bottom heating          | 30 - 250 °C  | Final baking or cooking food in a bain marie.<br>The heat is emitted from below.  |
|  | Keeping warm            | 50 - 100 °C  | Keep cooked food warm.  |
|  | Preheating cookware     | 30 - 90 °C   | Preheat cookware.   |

## Types of steam heating

This is where you can find an overview of the types of steam heating and their use.

| Symbol  | Steam heating type | Temperature range | What it's used for and how it works<br>Possible additional functions  |
|---|--------------------|-------------------|---|
|  | Defrosting         | 30 - 60 °C        | Gently defrost frozen food.   |
|  | Reheating          | 80 - 180 °C       | Gently reheat plated meals and baked items.<br>The steam ensures that the food does not dry out.  |
|  | fullSteam Plus     | 30 - 120 °C       | Gently steam vegetables, meat, fish and cereal. Juice fruit.<br>Blanch food.<br>In order to reduce the cooking time, more robust food can be steamed at above 100 °C. |
|  | Proving dough      | 30 - 50 °C        | Leave the yeast dough to prove.<br>The dough rises considerably more quickly than at room temperature. The surface of the dough does not dry out.                     |

## 5.2 Temperature

With most types of heating, you can read the current temperature in the cooking compartment and the set temperature side-by-side on the display during heating, e.g.  $\downarrow$  120 °C | 210 °C.

When you preheat the appliance, the optimal time to place the meal in the oven is as soon as the heating line has completely filled and a signal tone sounds.

**Note:** Due to thermal inertia, the temperature that is displayed may differ slightly from the actual temperature inside the cooking compartment.

### Residual heat indicator

When the appliance is switched off, the display uses the  $\llcorner$  symbol to show the residual heat in the cooking compartment. The further the temperature drops, the less the symbol is visible. The symbol goes out entirely at approx. 60 °C.

# 6 Accessories

Use original accessories. These have been made especially for your appliance.

**Note:** Accessories may become deformed if they get hot. Deformation has no effect on function. As the accessory cools down, it will regain its original shape.

The accessories supplied may differ depending on the appliance model.

| Accessories                         | Use   |
|-------------------------------------|---|
| Wire rack                           | <ul style="list-style-type: none"> <li>■ Cake tins</li> <li>■ Ovenproof dishes</li> <li>■ Cookware</li> <li>■ Meat, e.g. roasting joints or steak</li> <li>■ Frozen meals</li> </ul>  |
| Universal pan                       | <ul style="list-style-type: none"> <li>■ Moist cakes</li> <li>■ Baked items</li> <li>■ Bread</li> <li>■ Large roasts</li> <li>■ Frozen meals</li> <li>■ Catch dripping liquids, e.g. fat when grilling food on the wire rack or water when cooking with steam.</li> </ul> |
| Steam container, solid, size M      | <p>Cooking:</p> <ul style="list-style-type: none"> <li>■ Rice</li> <li>■ Pulses</li> <li>■ Cereals</li> </ul> <p>Do not place the steam container on the wire rack.</p>   |
| Steam container, perforated, size M | <ul style="list-style-type: none"> <li>■ Steaming vegetables.</li> <li>■ Juicing berries.</li> <li>■ Defrosting.</li> </ul> <p>Do not place the steam container on the wire rack.</p>   |
| Perforated steam container, size XL | Steaming large quantities of food.  |

### 6.1 Information on accessories

Some accessories are only suitable for certain types of heating.

#### Steam container


The steam containers are suitable for steam-only types of heating up to 120 °C. The steam containers are not suitable for higher temperatures or other types of heating. The containers become permanently discoloured and deformed.


### 6.2 Locking function

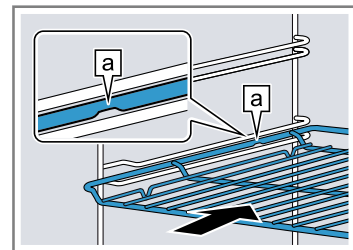
The locking function prevents the accessories from tilting when they are pulled out. You can pull out the accessories approximately halfway without them tipping. The accessories must be inserted into the cooking compartment correctly for the tilt protection to work properly.


### 6.3 Sliding accessories into the cooking compartment

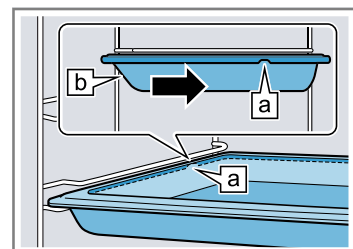
Always slide the accessory into the cooking compartment the right way round. This is the only way to ensure that accessories can be pulled out approximately halfway without tipping.

1. Turn the accessories so that the notch  is at the rear and is facing downwards.
2. Insert the accessory between the two guide rods for a shelf position.

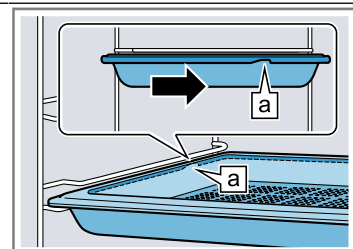
Wire rack Insert the wire rack with the open side facing the appliance door and the curved lip  facing downwards.



Baking tray E.g. universal pan or baking tray Slide the tray in with the sloping edge  towards the appliance door.



Steam container, perforated, size XL



3. Push the accessory all the way in, making sure that it does not touch the appliance door.

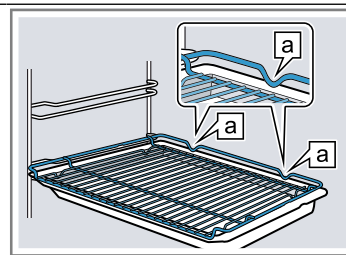
**Note:** Take any accessories that you will not be using out of the cooking compartment while the appliance is in operation.

### Combining accessories

You can combine the wire rack with the universal pan to catch any liquid that drips down.

1. Place the wire rack on the universal pan so that both spacers [a] are on the rear edge of the universal pan.
2. Insert the universal pan between the two guide rods for a shelf position. In so doing, the wire rack is on top of the upper guide rod.

Wire rack on universal pan



## 6.4 Other accessories

You can purchase other accessories from our after-sales service, specialist retailers or online.

You will find a comprehensive range of products for your appliance in our brochures and online:

siemens-home.bsh-group.com

Accessories vary from one appliance to another. When purchasing accessories, always quote the exact product number (E no.) of your appliance.

You can find out which accessories are available for your appliance in our online shop or from our after-sales service.

## 7 Before using for the first time

Implement the settings for the initial configuration. Calibrate the appliance. Clean the appliance and accessories.

### 7.1 Determining the water hardness before switching on the appliance for the first time

Before using the appliance for the first time, ask your water supplier about the hardness of your tap water. To ensure that the appliance can reliably remind you to descale it when required, you must set your water hardness range correctly.

#### ATTENTION!

If the wrong water hardness has been set, the appliance cannot remind you to descale it at the right time.

- ▶ Set the water hardness correctly.

Using unsuitable liquids may damage the appliance.

- ▶ Do not use distilled water, highly chlorinated tap water (>40 mg/l) or other liquids.
- ▶ Only use cold, fresh tap water, softened water or non-carbonated mineral water.

Malfunctions may occur when using filtered or demineralised water. The appliance may request that you top up the water tank even though it may be full, or operation with steam is cancelled after approx. two minutes.

- ▶ If required, mix filtered or demineralised water with the bottled non-carbonated mineral water with a ratio of one to one.

#### Notes

- If you are using mineral water, set the water hardness range to "very hard". If you are using mineral water, you must only use non-carbonated mineral water.
- If your tap water is very hard, we recommend that you use softened water. If you are using only softened water, set the "softened" water hardness range.

| Setting                    | Water hardness in mmol/l | German hardness °dH | French hardness °fH |
|----------------------------|--------------------------|---------------------|---------------------|
| 0 (softened) <sup>1</sup>  | -                        | -                   | -                   |
| 1 (soft)                   | Up to 1.5                | Up to 8.4           | Up to 15            |
| 2 (medium)                 | 1.5-2.5                  | 8.4-14              | 15-25               |
| 3 (hard)                   | 2.5-3.8                  | 14-21.3             | 25-38               |
| 4 (very hard) <sup>2</sup> | Over 3.8                 | Over 21.3           | Over 38             |

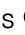

<sup>1</sup> Only set this if you will be using solely softened water.

<sup>2</sup> Also set for mineral water. Only use non-carbonated mineral water.

## 7.2 Performing initial start-up

After connecting the appliance to the power supply, you must configure the settings for its initial start-up. It may take a few minutes for the settings to appear on the display.

**Note:** You can also use the Home Connect app to configure the settings. When your appliance is connected, follow the instructions in the app.

1. Press  to switch the appliance on.
  - ✓ The first setting appears.
2. If required, change the setting.  
Possible settings:
  - Language
  - Home Connect
  - Time
  - Date
  - Water hardness
3. Use  to switch to the next setting.
4. Work through the settings and make changes as required.
  - ✓ After the last setting, a message appears on the display confirming that the initial start-up is complete.
5. To check the appliance before heating for the first time, open and close the appliance door once.

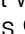
## 7.3 Calibrating and cleaning the appliance before using it for the first time

To ensure that the appliance is automatically calibrated, allow the appliance to run empty in steam operation. Before using the appliance to cook food for the first time, you must clean the cooking compartment and accessories.


**Note:** The boiling point of water depends on the air pressure. During the calibration process, the appliance makes adjustments to adapt to the pressure conditions in the location where it is installed.

Do not open the appliance door while calibration is in progress, as this will cancel the calibration process.

**Requirement:** The cooking compartment is cold or at room temperature.

1. Remove the product information and the accessories from the cooking compartment. Remove any leftover packaging, such as polystyrene pellets, and any adhesive tape that is in or on the appliance.
2. Wipe the smooth surfaces in the cooking compartment with a soft, damp cloth.
3. Press  to switch the appliance on.
4. Fill the water tank.  
→ "Filling the water tank", Page 15


5. Apply the following settings:

|                 |  |
|-----------------|--|
| Type of heating | fullSteam Plus  |
| Temperature     | 100 °C   |
| Duration        | 30 minutes   |

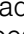
→ "Basic operation", Page 12

6. Start the operation.
  - Ventilate the kitchen while the appliance is heating.
  - ✓ Calibration starts. This creates a lot of steam.
  - ✓ When the time has elapsed, a signal tone sounds. A message appears on the display confirming that the operation has finished.
7. Allow the appliance to cool down and then dry the cooking compartment floor thoroughly.
8. **ATTENTION!**  
If there is water on the cooking compartment floor when operating the appliance at temperatures above 120 °C, this will damage the enamel.
  - ▶ Do not use the appliance if there is water on the cooking compartment floor.
  - ▶ Wipe away any water on the cooking compartment floor before operation.

Apply the following settings:

|                 |  |
|-----------------|--|
| Type of heating | 4D hot air  |
| Temperature     | Maximum  |
| Duration        | 30 minutes   |

→ "Basic operation", Page 12

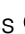
9. Start the operation.
  - Ventilate the kitchen while the appliance is heating.
  - ✓ When the time has elapsed, a signal tone sounds. A message appears on the display confirming that the operation has finished.
10. Press  to switch the appliance off.
11. Once the appliance has cooled down, clean the smooth surfaces in the cooking compartment with a detergent solution and a dish cloth.
12. Clean the accessories thoroughly using a detergent solution and a dish cloth or soft brush.
13. Dry the appliance.  
→ "After using steam operation", Page 18

**Note:** Following a power cut, the calibrated settings are retained.

To adjust the appliance to a new installation location after moving house, reset the basic settings to the factory settings. Restart the calibration process.


# 8 Basic operation

## 8.1 Switching on the appliance

- ▶ Press  to switch the appliance on.
- ✓ The display shows the menu.

## 8.2 Switching off the appliance

Switch your appliance off when you are not using it. The appliance automatically switches itself off if it is not used for a certain period of time.

- ▶ Press  to switch the appliance off.
- ✓ The appliance switches off. Any functions currently in progress are cancelled.

- ✓ The time or residual heat indicator appears on the display.

### 8.3 Starting the operation

You must start each operation.

#### ATTENTION!

If there is water on the cooking compartment floor when operating the appliance at temperatures above 120 °C, this will damage the enamel.

- ▶ Do not use the appliance if there is water on the cooking compartment floor.
- ▶ Wipe away any water on the cooking compartment floor before operation.
- ▶ Use ▷/□ to start the operation.
- ✓ The settings appear on the display.

### 8.4 Interrupting the operation

You can interrupt the operation and then continue again.

1. To interrupt the operation, press ▷/□.
2. Press ▷/□ again to resume operation.

### 8.5 Setting an operating mode

After you have switched on the appliance, the menu appears on the display.

1. To scroll through the various selection options, swipe to the left or right on the display.
2. To select a function, press the corresponding tile.
  - ✓ Depending on the function, possible adjustment values or other tiles are available for selection.
3. If required, press on another tile.
4. To change the adjustment values:
  - Swipe over the blue adjustment line or push the adjustment line to the appropriate point.
  - Or press ■■■ and enter the value directly via the number field that appears.
5. Use ▷/□ to start the operation.
6. If the operation is ended:
  - If required, you can select other settings and re-start the operation.
  - When the food is ready, use ☺ to switch the appliance off.

**Tip:** You can save your settings as "Favourites"☆ and use these again.

→ "Favourites", Page 20

### 8.6 Setting the type of heating and the temperature

1. Press "Types of heating".
2. Press the type of heating that you want to use.
3. Set the temperature using – or + or via the adjustment bar. Or enter the temperature directly via the number field ■■■.

If required, you can implement additional settings:

- → "Rapid heating", Page 14
- → "Time-setting options", Page 14
- → "Steaming", Page 15

4. Use ▷/□ to start the operation.

- ✓ The appliance starts heating.

- ✓ The adjustment values and how long the appliance has already been in operation are shown on the display.
5. When the food is ready, use ☺ to switch the appliance off.

**Note:** The most suitable type of heating for your food can be found in the type of heating description.

→ "Types of heating", Page 8

### Changing the type of heating

When you change the type of heating, the other settings are also reset.

1. Press ▷/□.
2. Press ←.
3. Press the type of heating that you want to use.
4. Reset the operation and use ▷/□ to start.

### Changing the temperature

Once the operation has started, you can change the temperature at any time.

1. Press the temperature.
2. Change the temperature using – or + or via the adjustment bar. Or enter the temperature directly via the number field ■■■.
3. Press "Apply".

### 8.7 Displaying information

In most cases, you can call up information about the function that you have just started. The appliance automatically displays certain information, e.g. to ask you to do/confirm something or to issue a warning.

1. Press □.
- ✓ If information is available, this is displayed for a few seconds.
2. If there is a lot of content in the tile, scroll using ^ or v.
3. If required, close the notification using X.

### 8.8 Sabbath-compliant use

If you want to operate your appliance so that it is Sabbath-compliant, use the time-setting options and change the basic setting for the lighting.

**Note:** If you open the appliance door during operation, the appliance stops heating. When you close the appliance door, the appliance continues to heat again. To operate your appliance so that it is Sabbath-compliant, do not open the appliance door until after operation.

1. Change the "Lighting" basic setting to "Always off".
  - "Basic settings", Page 21
  - This will ensure that the light in the cooking compartment is always off while the appliance is in operation and when you open the appliance door.
2. Set the required operating mode.
  - "Setting an operating mode", Page 13
  - "Setting the type of heating and the temperature", Page 13
3. Set the required cooking time depending on the operating mode.
  - "Setting the cooking time", Page 14
  - "Time-setting options", Page 14
4. Use "End time" to set the time at which the operation should end.
  - "Setting the end time", Page 15

→ "Time-setting options", Page 14

5. Place the food in the cooking compartment before the appliance starts to heat.
6. Start the operation.
  - ✓ The display shows the start time. The appliance is in standby mode.
  - ✓ Once the start time has been reached, the appliance starts heating and the cooking time starts counting down.

7. When the operation has ended, remove the food from the cooking compartment. The appliance automatically switches off completely after approximately 15 to 20 minutes.
 

**Note:** If necessary, change the basic setting for the lighting again.

## 9 Rapid heating

To save time, rapid heating »»» can shorten the preheating time for set temperatures over 100 °C.

Rapid heating is possible for the following types of heating:

- 4D hot air ☉
- Top/bottom heating ☐

### 9.1 Setting rapid heating

To ensure an even cooking result, do not place the food in the cooking compartment until rapid heating has come to an end.

**Note:** Do not set a cooking time until rapid heating has come to an end.

1. Set a suitable type of heating and a temperature of at least 100 °C. Rapid heating automatically switches off as of a set temperature of 200 °C.
2. Press "Rapid heating".
  - ✓ "On" is in the tile.
3. Use ▷/☐ to start the operation.
  - ✓ Rapid heating starts.
  - ✓ Once rapid heating is complete, a signal tone sounds. "Off" appears for "Rapid heating" »»».
4. Place the food in the cooking compartment.

#### Cancelling rapid heating

- ▶ Press "Rapid heating".
- ✓ For "Rapid heating" »»» "Off" appears on the display.

## 10 Time-setting options

For an operation, you can set the cooking time and the time at which the operation should be finished. The timer runs independently of the operation.

| Time-setting option | Use  |
|---------------------|--|
| Cooking time ↗      | If you set a cooking time, the appliance stops heating automatically once this time has elapsed.   |
| End time →          | Along with the cooking time, you can set the time at which you want the operation to end. The appliance starts up automatically so that the operation finishes at the required time. |
| Timer ⏰             | You can set the timer to run independently of the appliance during operation. It does not affect the appliance.  |

### 10.1 Setting the cooking time

You can set the cooking time for the operation of up to 24 hours.

**Requirement:** An operating mode and temperature or setting have been set.

1. Press "Cooking time".
2. To set the cooking time, press the relevant time value, e.g. hour display "h" or minute display "min."
- ✓ The selected value is marked in blue.

3. Set the cooking time using — or + or via the adjustment bar. Or enter the cooking time directly via the number field ☐☐☐. If required, use ☉ to reset the adjustment value.
4. Press "Apply".
5. Use ▷/☐ to start the operation.
  - ✓ The appliance starts to heat and the time counts down.
  - ✓ Once the cooking time has elapsed, a signal tone sounds. A note appears on the display confirming that the operation has finished.
6. Once the cooking time has elapsed:
  - If required, you can select other settings and restart the operation.
  - When the food is ready, use ☉ to switch the appliance off.

#### Changing the cooking time

You can change the cooking time at any time.

1. Press the cooking time.
2. Change the cooking time using — or +, or via the adjustment bar. Or enter the temperature directly via the number field ☐☐☐.
3. Press "Apply".

#### Cancelling the cooking time

You can cancel the cooking time at any time.

1. Press the cooking time.
2. Reset the cooking time using ☉.
 

**Note:** For operating modes that always require a cooking time, the appliance resets the cooking time to the preset value.
3. Press "Apply".

## 10.2 Setting the end time

You can delay the time at which the cooking time for the operation is due to end by up to 24 hours.

### Requirements

- An operating mode and temperature or level have been set.
  - A cooking time is set.
1. Press "End time".
  2. Use  $-$  or  $+$  to delay the time or enter the time directly via the number field  $\text{■■■}$ .  
If required, use  $\text{↺}$  to reset the setting value.
  3. Press "Apply".
  4. Press  $\text{▷/□}$  to start the operation.
- ✓ The display shows the start time. The appliance is in standby mode.
  - ✓ Once the start time has been reached, the appliance starts heating and the cooking time starts counting down.
  - ✓ When the time has elapsed, a signal sounds. A message appears on the display confirming that the operation has finished.
5. Once the cooking time has elapsed:
    - If required, you can select other settings and re-start the operation.
    - When the food is ready, use  $\text{⏻}$  to switch the appliance off.

### Setting the end time

To achieve good cooking results, only change the set time before the operation starts and before the cooking time starts counting down.

1. Press "End time".
2. Use  $-$  or  $+$  to change the time or enter the time directly via the number field  $\text{■■■}$ .
3. Press "Apply".

### Cancelling the end time

You can delete the set time at any time.

1. Press "Stop".
2. Press "End time".
3. Use  $\text{↺}$  to reset the time.

**Note:** For operating modes that always require a cooking time, the appliance resets the time at which the cooking time ends to the next possible time.

4. Press "Start".

## 10.3 Setting the timer

The timer runs independently during the operation. You can set the timer when the appliance is switched on or off, up to 24 hours. The timer has its own signal tone so that you can tell whether it is the timer or a cooking time that has elapsed.

1. Press the  $\text{⏻}$  button.
  2. To set the timer, press the relevant time value on the display, e.g. hour display "h" or minute display "min".  
The selected value is marked in blue.
  3. Set the timer using  $-$  or  $+$ , or via the adjustment bar. Or enter the timer time directly via the number field  $\text{■■■}$ .  
If required, use  $\text{↺}$  to reset the adjustment value.
  4. To start the timer, press "Start".
- ✓ The timer counts down.
  - ✓ The timer remains visible on the display if the appliance is switched off.
  - ✓ When the appliance is switched on, the display shows the settings for the current operation. The timer is displayed in the status bar.
  - ✓ Once the timer has elapsed, a signal tone sounds. A note appears on the display confirming that the timer has finished.

### Changing the timer

You can change the timer at any time.

1. Press the  $\text{⏻}$  button.
2. Press "Pause".
3. Change the timer.
4. Press "Start".

### Cancelling the timer

1. Press the  $\text{⏻}$  button.
2. Reset the timer using  $\text{↺}$ . Reset the timer using  $\text{↺}$ .
3. Press "Start".

# 11 Steaming

Food can be cooked particularly gently using steam. You can use the special types of steam heating, or use steam assistance with certain types of heating.

### WARNING – Risk of scalding!

Hot steam may escape when you open the appliance door. Steam may not be visible, depending on the temperature.

- ▶ Open the appliance door carefully.
- ▶ Keep children at a safe distance.

## 11.1 Before using the steam function

Before using the steam function each time, make sure that your appliance is supplied with sufficient water.

### Filling the water tank

### WARNING – Risk of fire!

Due to the hot surfaces, vapours from flammable liquids may catch fire in the cooking compartment (explosion). The appliance door may spring open. Hot steam and jets of flame may escape.


- ▶ Do not pour flammable liquids (e.g. alcoholic drinks) into the water tank.
- ▶ Only fill the water tank with water or with the descaling solution we have recommended.

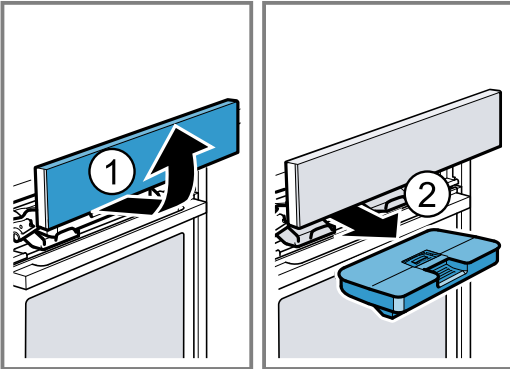
**⚠ WARNING – Risk of burns!**

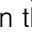
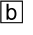
The water tank may heat up while the appliance is in operation.

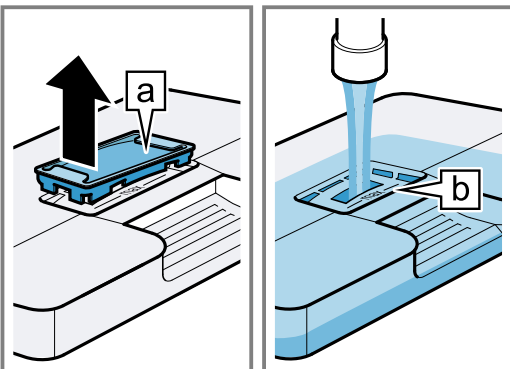
- ▶ Wait until the water tank has cooled down from the previous operation.
- ▶ Remove the water tank from the tank recess.

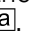
**Requirement:** The water hardness is set correctly.

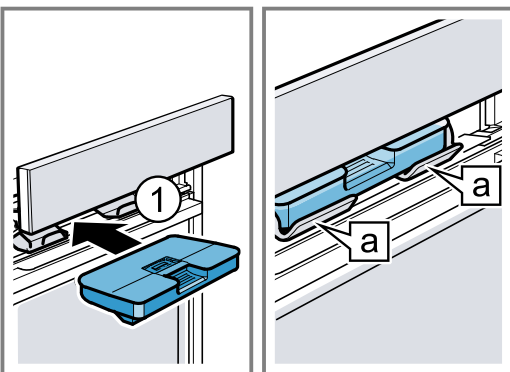
1. Press .
- ✓ The control panel pops out automatically.
2. Pull the control panel towards you with both hands and then push it upwards until it clicks into place ①.
3. Remove the water tank from the tank recess ②.



4. Press down on the water tank lid along the seal to prevent water from leaking out of the water tank.
5. Remove the cover  on the water tank.
6. Fill the water tank with water up to the "max"  mark.



7. Put the cover back into the opening on the water tank.
8. Insert the full water tank ①. When doing so, make sure that the water tank clicks into place behind the retainers .



9. Slowly slide the control panel downwards and then push it away from you until it is closed completely.

## 11.2 Setting options with steam

There are various ways in which you can prepare your food with steam.

### Types of steam heating


A variety of types of steam heating are available for which hot steam is used to gently prepare food.

#### ATTENTION!

A lot of steam is produced during operation with the types of steam heating. Condensate that collects in the drip trough underneath the cooking compartment may overflow and damage adjacent units.


- ▶ Do not open the appliance door, or open it as infrequently as possible, while the appliance is in operation.

#### fullSteam Plus


During steaming with fullSteam Plus , hot steam surrounds the food to prevent it from losing nutrients. This cooking method also helps to retain the shape, colour and typical flavour of the food.

When temperatures between 105 °C and 120 °C are set, the cooking time is reduced. This means that even more nutrients and vitamins are retained when steaming.


#### Reheating

The reheat function  can be used to warm up food that has already been cooked, or bread and pastries from the day before, without affecting their quality.

#### Proving dough

Dough proves considerably more quickly using the dough proving  steam heating type than at room temperature and does not dry out.

#### Defrosting

Use the defrost function  to defrost deep-frozen and frozen products gently without affecting the quality.

#### Added steam

When you cook with added steam, the appliance introduces steam into the cooking compartment at various intervals. This gives your food a crispy crust and a shiny surface. Meat stays juicy and tender, and only undergoes a minimum reduction in volume.

You can combine added steam with the following functions:

- Types of heating → Page 13
  - 4D hot air 
  - Top/bottom heating 
  - Circulated air grilling 
  - Keeping warm 
- → "Dishes", Page 19




#### Steam jet

You can use the steam jet function to specifically add intensive steam at various intervals. This makes bread and bread rolls in particular wonderfully crispy and gives them a golden colour.

The appliance adds clouds of steam to the cooking compartment for approx. 3 to 5 minutes. Depending on the operation, you can activate the steam jet several times.



You can add the steam jet for the following functions:

- Types of heating → *Page 13*
  - 4D hot air 
  - Top/bottom heating 
  - Circulated air grilling 

**Note:** Only use the steam jet when cooking compartment temperatures are above 120 °C.

### 11.3 Setting the type of steam heating

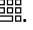
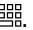
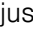

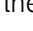
#### Note:

Observe the instructions for the types of steam heating:

- → *"Types of steam heating", Page 16*



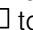
**Requirement:** The water tank has been filled. If the water tank runs dry during operation, a message appears on the display. Operation is stopped.

→ *"Filling the water tank", Page 15*

1. Press "Steam".
2. Press the required type of steam heating.
3. Set the temperature using — or +, or via the adjustment bar. Or enter the cooking time directly via the number field .
4. Press "Cooking time".  
A cooking time must always be set for types of steam heating.
5. To change the preset cooking time, press the relevant time value, e.g. minute display "min" or second display "s".
  - ✓ The selected value is marked in blue.
6. Set the cooking time using — or +, or via the adjustment bar. Or enter the cooking time directly via the number field .  
If required, use  to reset the adjustment value.
7. Press "Apply".
8. Use  to start the operation.
  - ✓ The appliance starts to heat and the time counts down.
  - ✓ When the time has elapsed, a signal tone sounds. A message appears on the display confirming that the operation has finished.
9. Once the cooking time has elapsed:
  - If required, you can select other settings and re-start the operation.
  - When the food is ready, use  to switch the appliance off.
10. Empty the water tank and dry the cooking compartment.  
→ *"After using steam operation", Page 18*

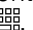
### Changing the type of steam heating

When you change the type of steam heating, the other settings are also reset.

1. Press .
2. Press .
3. Press the required type of steam heating.
4. Reset the operation and use  to start.


### Changing the temperature

Once the operation has started, you can change the temperature at any time.

1. Press the temperature.
2. Change the temperature using — or + or via the adjustment bar. Or enter the temperature directly via the number field .
3. Press "Apply".


### Changing the cooking time

You can change the cooking time at any time.


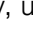
1. Press the cooking time.
2. Change the cooking time using — or +, or via the adjustment bar. Or enter the temperature directly via the number field .
3. Press "Apply".

### 11.4 Setting added steam

#### Requirements

- Observe the information about the respective operating mode.  
→ *"Setting options with steam", Page 16*
  - The water tank has been filled. If the water tank runs dry during operation, a message appears on the display. The appliance continues to operate but without injecting steam into the cooking compartment.  
→ *"Filling the water tank", Page 15*
1. Press the operating mode that you require.
  2. Select the settings for the operating mode, e.g. type of heating and temperature.
  3. Press "Added Steam" .
  4. Press the required steam level.

| Steam level | Added steam |
|-------------|-------------|
| 1           | Low         |
| 2           | Medium      |
| 3           | High        |

5. Press "Apply".
6. Press  to start the operation.
  - ✓ The appliance starts heating.
  - ✓ The setting values and how long the appliance has already been in operation are shown on the display.
7. When the food is ready, use  to switch the appliance off.
8. Empty the water tank and dry the cooking compartment.  
→ *"After using steam operation", Page 18*

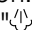
### Changing added steam

You can change or deactivate the added steam function at any time.


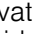

1. Press the steam level.
2. Change or deactivate added steam.
3. Press "Apply".

### 11.5 Setting the steam jet function

#### Requirements



- Observe the information about the respective operating mode.  
→ *"Setting options with steam", Page 16*
  - The water tank has been filled. If the water tank runs dry during operation, a message appears on the display. Operation is stopped.  
→ *"Filling the water tank", Page 15*
1. Press the operating mode that you require.
  2. Select the settings for the operating mode, e.g. type of heating and temperature.
  3. Press "Steam jet"
  4. Start the operation.
  5. Press "Steam jet"  at the desired time.

Do not use the steam jet until the appliance has completely heated up.

- ✓ The appliance starts to heat the water.
  - 6. When the water is heated up, press "Steam jet"  again.
- Note:** If rapid heating  is activated, the steam jet can only be triggered once rapid heating is complete.
- ✓ The steam jet is triggered and the appliance adds clouds of steam to the cooking compartment for approx. 3 to 5 minutes.
  - ✓ When the steam jet has finished, the operation continues to run as normal. Depending on the operation, the steam jet can be triggered again if necessary.
7. When the food is ready, use  to switch the appliance off.
  8. Empty the water tank and dry the cooking compartment.  
→ "After using steam operation", Page 18

### Cancelling the steam jet

You can cancel the steam jet at any time.

- ▶ Press "Steam jet" .
- ✓ "Steam jet"  "Off" appears in the display.
- ✓ The operation continues without the steam jet.

## 11.6 After using steam operation

Dry the appliance after each steam operation.

**Note:** Traces of limescale may remain in the cooking compartment after operation with steam. The functionality of the appliance is not affected by this. You can remove traces of limescale using hot water or a cloth soaked in vinegar. Observe the information on cleaning.

→ "Cleaning and servicing", Page 24

### Emptying the water tank

#### **WARNING – Risk of burns!**

The water tank may heat up while the appliance is in operation.

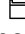
- ▶ Wait until the water tank has cooled down from the previous operation.
- ▶ Remove the water tank from the tank recess.

#### **ATTENTION!**

Drying the water tank in the hot cooking compartment leads to damage to the water tank.

- ▶ Do not dry the water tank in the hot cooking compartment.

Cleaning the water tank in the dishwasher will damage it.

- ▶ Do not clean the water tank in the dishwasher.
  - ▶ Clean the water tank with a soft cloth and standard washing-up liquid.
1. Use  to open the control panel.
  2. Remove the water tank.
  3. Carefully remove the lid of the water tank.
  4. Empty the water tank, clean it with detergent and then rinse it thoroughly with clean water.
  5. Dry all parts with a soft cloth.
  6. Rub the seal on the lid until dry.
  7. Leave the water tank to dry with the lid open.
  8. Place the lid on the water tank and push down on it.
  9. Insert the water tank and close the control panel.

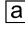
### Drying the condensation tray

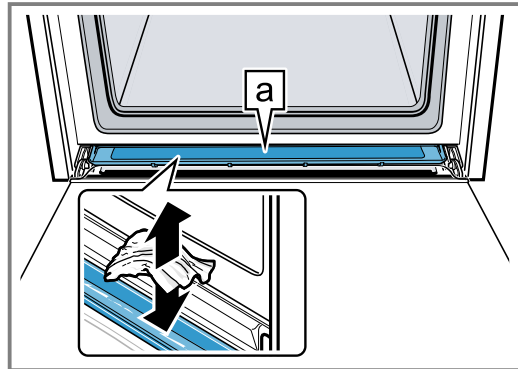
#### **WARNING – Risk of burns!**


The appliance becomes hot during operation.

- ▶ Allow the appliance to cool down before cleaning.

**Requirement:** The cooking compartment has cooled down.

1. Open the appliance door.
2. **Note:**  
The condensation tray  is underneath the cooking compartment.



Soak up the water in the condensation tray  with a tea towel and wipe it carefully.

**Note:** You can remove the condensation tray in order to clean it.

→ "Removing the condensate tray", Page 28

### Drying the cooking compartment

Dry the cooking compartment after each steam operation.

- ▶ Dry the cooking compartment by hand or use the drying function.  
→ "Drying function", Page 27

## 12 Dishes

The "Dishes" operating mode helps you to use your appliance to prepare different meals by selecting the optimum settings automatically.

### 12.1 Cookware for dishes

The cooking result depends on the composition of the meat and the size of cookware.

You should therefore use heat-resistant cookware that is suitable for temperatures up to 300 °C. Glass or glass ceramic cookware is best. The joint should cover approx. 2/3 of the cookware base.

Cookware made from the following material is not suitable:

- Bright, shiny aluminium
- Unglazed clay
- Plastic or plastic handles

### 12.2 Setting options for the dishes

To cook the dishes perfectly, the appliance uses different settings depending on the dish.


The display shows you the settings that are used. You can adjust certain settings. Follow the instructions on the display.

**Note:** The cooking result depends on the quality and composition of the food. Use fresh and, ideally, chilled food. Use frozen food straight from the freezer.

#### Tips and information about the settings

If you set a dish, the display shows relevant information for this dish, e.g.:

- Suitable shelf position
- Suitable accessory or cookware
- Added liquid
- Time for turning or stirring  
When this time is reached, a signal sounds.

To call up the information, press . Some notes are displayed automatically.

#### Programmes

The ideal type of heating, temperature and cooking time are preset for programmes.

To achieve an optimal cooking result, you must also set the weight, thickness or the cooking level. You can set the weight only in the intended range.

Unless otherwise indicated, set the total weight for your dish.

#### Recommended settings

For the recommended settings, the optimum type of heating is preset as a fixed value.

You can adjust the preset temperature and the cooking time.

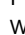
#### Cooking methods

For some dishes, you can select a preferred cooking method.

Select a cooking method with the following value for conventional cooking:

- Classic

#### Dishes with steam

For some dishes, you can select a cooking method with steam . The food is cooked gently. Select a cooking method with the following values for cooking with added steam:

- Tender and juicy  
Tender and crispy
- Juicy  
Juicy and light
- Extra light  
Extra light and glossy
- Glossy and crispy  
Golden and crispy
- As if freshly baked  
As if freshly cooked
- Gentle

For cooking with pure steam types, select a cooking method with the following values:

- Cooked gently and juicy  
Cooked gently and soft  
Cooked gently and quickly
- Easy  
Easy and safe
- As if freshly cooked
- On point

Observe the information on operating with steam.  
→ "Steaming", Page 15

### 12.3 Overview of the dishes

You can find out which individual dishes are available to you on the appliance when you call up the operating mode. The dishes depend on the features of your appliance.

The dishes are sorted by category and food.



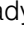
**Note:** In the basic settings, you can regionally specialise the displayed dishes.

→ "Basic settings", Page 21


| Category             | Food   |
|----------------------|--|
| Cakes                | Cakes in tins<br>Cakes on a baking tray<br>Small baked items<br>Biscuits   |
| Bread, bread rolls   | Bread<br>Bread rolls   |
| Pizza, savoury cakes | Pizza<br>Savoury cakes, quiche   |
| Bakes, soufflés      | Bake, savoury, fresh, cooked ingredients<br>Potato gratin, raw ingredients, 4 cm deep<br>Lasagne, fresh<br>Lasagne, chilled<br>Bake, sweet, fresh<br>Fruit crumble<br>Soufflés in individual moulds<br>Yorkshire pudding |
| Poultry              | Chicken<br>Duck, goose<br>Turkey   |

| Category                                  | Food                  |
|---|-----------------------|
| Meat                                      | Pork                  |
|   | Beef                  |
|   | Veal                  |
|   | Lamb                  |
|   | Game                  |
|   | Meat dishes           |
|   |                       |
| Fish.                                     | Fish, whole           |
|   | Fish fillet           |
|   | Fish cutlet           |
|   | Fish dishes           |
|   | Seafood               |
| Frozen products                           | Pizza                 |
|   | Bread rolls           |
|   | Bakes                 |
|   | Potato products       |
|   | Vegetables            |
|   | Poultry, fish         |
| Side dishes, vegetables                   | Vegetables            |
|   | Potatoes              |
|   | Rice                  |
|   | Cereals               |
|   | Pulses                |
|   | Pasta, dumplings      |
|   | Eggs                  |
| Desserts, compote                         | Yeast dumplings       |
|   | Crème caramel         |
|   | Rice pudding          |
|   | Fruit compote         |
|   | Yoghurt in glass jars |
| Reheating, crisping up                    | Vegetables            |
|   | Menu                  |
|   | Baked items           |
|   | Side dishes           |
| Defrosting food                           | Fruit, vegetables     |
| Preserving, extracting juice, sterilising | Preserving food       |
|   | Extracting juice      |
|   | Sterilising bottles   |

## 12.4 Setting a dish

1. Press "Dishes".
2. Press the required category.
3. Press the required food.
4. Press the required dish.
  - Tip:** For some dishes, you can select a preferred cooking method.  
→ "Setting options for the dishes", Page 19
  - ✓ The settings for the dish appear on the display.
5. Adjust the settings if required.
  - You can adjust only certain settings depending on the dish.  
→ "Setting options for the dishes", Page 19
6. For information about the accessory and shelf position, for example, press .
7. Press  to start the operation.
  - ✓ The appliance starts to heat and the time counts down.
  - ✓ Once the dish is ready, a signal sounds. The appliance stops heating.
8. Once the cooking time has elapsed:
  - If required, you can select other settings and restart the operation.
  - When the food is ready, use  to switch the appliance off.

## 12.5 Automatic switch-off function

The automatic switch-off function  for the dishes allows you to bake and fry without any stress. When the operation has finished, the appliance automatically stops heating. To achieve an optimal cooking result, remove your dish from the cooking compartment once the operation has finished.

# 13 Favourites

In the "Favourites", you can save your settings and use these again.

**Note:** Depending on the appliance type/software status, you must first download this function to your appliance. You can find more information in the Home Connect app.


## 13.1 Saving favourites

You can save up to 30 different operating modes as your favourites.

- ▶ Next to the title of the operating mode, press ☆. To rename a favourite, you must use the Home Connect app. If your appliance is connected, follow the instructions in the app.

## 13.2 Selecting favourites

If you have saved favourites, you can use these to set the operation.

1. Press "Favourites".
2. Press the required favourites.
3. If required, you can change the settings.
4. Use  to start the operation.
  - ✓ The adjustment values are shown on the display.

### Note:

Pay attention to the specifications for the various operating modes:

■

### 13.3 Changing favourites

You can change, sort or delete your saved favourites at any time.


- ▶ To change the favourites, you must use the Home Connect app. If your appliance is connected, follow the instructions in the app.




## 14 Childproof lock

You can secure your appliance to prevent children from accidentally switching it on or changing the settings.

### 14.1 Activate the childproof lock

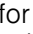
The childproof lock can be activated regardless of whether the appliance is on or off.

- ▶ Press and hold  for approx. 4 seconds to activate the childproof lock.
- ✓ A confirmation message appears on the display.

- ✓ The control panel is locked. The appliance can only be switched off using .
- ✓ When the appliance is switched on,  lights up. When the appliance is switched off,  does not light up.

### 14.2 Deactivating the childproof lock

You can deactivate the childproof lock at any time.


- ▶ Press and hold  for approx. 4 seconds to deactivate the childproof lock.
- ✓ A confirmation message appears on the display.

## 15 Basic settings

You can configure the basic settings for your appliance to meet your needs.

### 15.1 Overview of the basic settings

Here you can find an overview of the basic settings and factory settings. The basic settings depend on the features of your appliance.

You can find more information about the individual basic settings on the display using .

| Basic settings | Selection  |
|----------------|--|
| Language       | See selection on the appliance   |
| Home Connect   | Connect the oven to a mobile end device and remotely control it. Home Connect → <i>Page 22</i> |
| Clock          | Time in 24-hour format   |
| Date           | Date in the format DD.MM.YYYY  |

| Display        | Selection  |
|----------------|--|
| Brightness     | <ul style="list-style-type: none"> <li>▪ Levels 1, 2, 3, 4 and 5<sup>1</sup></li> </ul>  |
| Standby screen | <ul style="list-style-type: none"> <li>▪ On for a limited time</li> <li>▪ On (this setting increases energy consumption)</li> <li>▪ Off<sup>1</sup></li> </ul> |
| Clock          | <ul style="list-style-type: none"> <li>▪ Digital + date<sup>1</sup></li> <li>▪ Digital</li> <li>▪ Analogue</li> </ul>  |
| Alignment      | <ul style="list-style-type: none"> <li>▪ Align the display horizontally and vertically</li> </ul>  |

<sup>1</sup> Factory setting (may vary according to model)

| Tone           | Selection   |
|----------------|---|
| Button tone    | <ul style="list-style-type: none"> <li>▪ On<sup>1</sup></li> <li>▪ Off</li> </ul>   |
| Audible signal | <ul style="list-style-type: none"> <li>▪ Very short duration</li> <li>▪ Short duration</li> <li>▪ Medium duration<sup>1</sup></li> <li>▪ Long duration</li> </ul> |

<sup>1</sup> Factory setting (may vary according to model)

| Device Settings | Selection  |
|-----------------|--|
| Fan run-on time | <ul style="list-style-type: none"> <li>▪ Minimum</li> <li>▪ Recommended<sup>1</sup></li> <li>▪ Long</li> <li>▪ Very long</li> </ul>  |
| Pull-out system | <ul style="list-style-type: none"> <li>▪ Retrofitted (if 2 or 3 sets of pull-out rails are fitted)</li> <li>▪ Not retrofitted (if shelf supports and a single set of pull-out rails are fitted)<sup>1</sup></li> </ul> |
| Lighting        | <ul style="list-style-type: none"> <li>▪ On when cooking and opening the door<sup>1</sup></li> <li>▪ Only when the door is opened</li> <li>▪ Always off</li> </ul>   |
| Water hardness  | <ul style="list-style-type: none"> <li>▪ 4 (very hard)<sup>1</sup></li> <li>▪ 3 (hard)</li> <li>▪ 2 (medium)</li> <li>▪ 1 (soft)</li> <li>▪ 0 (softened)</li> </ul>  |

<sup>1</sup> Factory setting (may vary according to model)

| Personalisation | Selection  |
|-----------------|--|
| Brand logo      | <ul style="list-style-type: none"> <li>▪ Indicators/symbols<sup>1</sup></li> <li>▪ Do not display</li> </ul> |



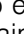

<sup>1</sup> Factory setting (may vary according to model)

| Personalisation           | Selection   |
|---------------------------|---|
| Operation after switch-on | <ul style="list-style-type: none"> <li>■ Main menu<sup>1</sup></li> <li>■ Types of heating</li> <li>■ Steaming</li> <li>■ Dishes</li> <li>■ Favourites</li> </ul> |
| Elapsed cooking time      | <ul style="list-style-type: none"> <li>■ Displays<sup>1</sup></li> <li>■ Do not display</li> </ul>  |
| Dishes                    | <ul style="list-style-type: none"> <li>■ All<sup>1</sup></li> <li>■ No pork</li> <li>■ Kosher only</li> </ul>   |
| Regional dishes           | <ul style="list-style-type: none"> <li>■ All<sup>1</sup></li> <li>■ European dishes</li> <li>■ British dishes</li> </ul>  |
| Childproof lock           | <ul style="list-style-type: none"> <li>■ Keylock only<sup>1</sup></li> <li>■ Deactivated</li> </ul>   |
| Automatic rapid heating   | <ul style="list-style-type: none"> <li>■ On<sup>1</sup></li> <li>■ Off</li> </ul>   |

<sup>1</sup> Factory setting (may vary according to model)

| Factory settings      | Selection   |
|-----------------------|---|
| Factory settings      | <ul style="list-style-type: none"> <li>■ Restore</li> </ul> |
| Appliance information | Appliance information                                       |

## 15.2 Changing the basic settings

1. Press  in the status bar.
2. Press the required basic setting area.
3. Press the required basic setting.
4. Press to select the required basic setting.
  - ✓ The change is applied directly for most basic settings.
5. To change additional basic settings, use  to go back and select a different basic setting.
6. To exit the basic settings, use  to go back to the main menu or switch off the appliance using .
  - ✓ The changes are saved.

**Note:** Your changes to the basic settings will be retained even after a power failure.

# 16 Home Connect

This appliance is network-capable. Connecting your appliance to a mobile device lets you control its functions via the Home Connect app, adjust its basic settings and monitor its operating status.

The Home Connect services are not available in every country. The availability of the Home Connect function depends on the availability of Home Connect services in your country. You can find information about this at: [www.home-connect.com](http://www.home-connect.com).

The Home Connect app guides you through the entire login process. Follow the instructions in the Home Connect app to configure the settings.

### Tips

- Please consult the documents supplied by Home Connect.
- Please also follow the instructions in the Home Connect app.

### Notes

- Please note the safety precautions in this instruction manual and make sure that they are also observed when operating the appliance via the Home Connect app.
  - "Safety", Page 2
- Operating the appliance on the appliance itself always takes priority. During this time it is not possible to operate the appliance using the Home Connect app.
- In networked standby mode, the appliance requires a maximum of 2 W.

## 16.1 Setting up Home Connect

### Requirements

- The appliance is connected to the power supply and is switched on.
- You have a mobile device with a current version of the iOS or Android operating system, e.g. a smartphone.
- The mobile device and the appliance are within range of your home network's Wi-Fi signal.

1. Download the Home Connect app.



2. Open the Home Connect app and scan the following QR code.



3. Follow the instructions in the Home Connect app.

## 16.2 Home Connect settings

You can adjust the Home Connect settings and network settings in your appliance's basic settings. Which settings the display shows will depend on whether Home Connect has been set up and whether the appliance is connected to your home network.

| Basic setting          | Possible settings   | Explanation  |
|------------------------|---|--|
| Home Connect assistant | Start the assistant<br>Disconnect                           | You can connect your appliance to the Home Connect app via the Home Connect assistant.<br><b>Note:</b> If you are using the Home Connect assistant for the first time, only the "Start assistant" setting is available.  |
| Wi-Fi                  | On<br>Off   | You can use the Wi-Fi to switch off the network connection for your appliance. When you have connected successfully once, you can deactivate the Wi-Fi and not lose your detailed data. As soon as you activate Wi-Fi again, the appliance connects automatically.<br><b>Note:</b> In networked standby mode, the appliance requires a maximum of 2 W.   |
| Remote control status  | Monitoring<br>Manual remote start<br>Permanent remote start | During monitoring, you can only view the operating status of the appliance in the app.<br>For manual remote start, you must activate the remote start each time before you can start the appliance via the app. If you open the appliance door within 15 minutes of activating remote start or of the operation ending, remote start is deactivated.<br>For permanent remote start, you can start and operate the appliance remotely at any time. If you often operate the appliance remotely, it is helpful to set the remote start to "Permanent". |

## 16.3 Operating the appliance with the Home Connect app

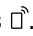
You can use the Home Connect app to set and start the appliance remotely.

### **WARNING – Risk of fire!**

Combustible objects that are left in the cooking compartment may catch fire.

- ▶ Never store combustible objects in the cooking compartment.
- ▶ If smoke is emitted, the appliance must be switched off or the plug must be pulled out and the door must be held closed in order to stifle any flames.

### Requirements

- The appliance is switched on.
  - The appliance is connected to the home network and to the Home Connect app.
  - In order to be able to set the appliance via the app, the manual or permanent remote start must be selected in the "Remote control status" basic setting.
1. To activate remote start, press .
  2. Configure a setting in the Home Connect app and send it to the appliance.

### Notes

- If you open the appliance door within 15 minutes of activating remote start or of the operation ending, the manual remote start is deactivated.
- When you start the oven using the controls on the appliance itself, the remote start function is activated automatically. You can use the Home Connect app to adjust the settings or start a new programme.

## 16.4 Software update

Your appliance's software can be updated using the software update function, e.g. for the purposes of optimisation, troubleshooting or security updates. To do this, you must be a registered Home Connect user, have installed the app on your mobile device and be connected to the Home Connect server. As soon as a software update is available, you will be informed via the Home Connect app and will be able to start the software update via the app. Once the update has been successfully downloaded, you can start installing it via the Home Connect app if you are in your WLAN home network (Wi-Fi). The Home Connect app will inform you once installation is successful.

### Notes

- You can continue to use your appliance as normal while updates are downloading. Depending on your personal settings in the app, software updates can also be set to download automatically.
- We recommend that you install security updates as soon as possible.
- Installation takes a few minutes. You cannot use your appliance during installation.

## 16.5 Remote diagnostics

Customer Service can use Remote Diagnostics to access your appliance if you contact them, have your appliance connected to the Home Connect server and if Remote Diagnostics is available in the country in which you are using the appliance.

**Tip:** For further information and details about the availability of Remote Diagnostics in your country, please visit the service/support section of your local website: [www.home-connect.com](http://www.home-connect.com).

## 16.6 Data protection

Please see the information on data protection. The first time your appliance is registered on a home network connected to the Internet, your appliance will transmit the following types of data to the Home Connect server (initial registration):

- Unique appliance identification (consisting of appliance codes as well as the MAC address of the Wi-Fi communication module installed).
- Security certificate of the Wi-Fi communication module (to ensure a secure data connection).

- The current software and hardware version of your appliance.
- Status of any previous reset to factory settings.

This initial registration prepares the Home Connect functions for use and is only required when you want to use the Home Connect functions for the first time.

**Note:** Please note that the Home Connect functions can only be utilised with the Home Connect app. Information on data protection can be retrieved in the Home Connect app.

# 17 Cleaning and servicing

To keep your appliance working efficiently for a long time, it is important to clean and maintain it carefully.

## 17.1 Cleaning products

In order to avoid damaging the various oven surfaces on the appliance, do not use unsuitable cleaning products.

### **WARNING – Risk of electric shock!**

An ingress of moisture can cause an electric shock.

- ▶ Do not use steam- or high-pressure cleaners to clean the appliance.

### **ATTENTION!**

Unsuitable cleaning agents damage the surfaces of the appliance.

- ▶ Do not use harsh or abrasive cleaning products.
- ▶ Do not use cleaning products with a high alcohol content.

- ▶ Do not use hard scouring pads or cleaning sponges.
- ▶ Do not use any special cleaners for cleaning the appliance while it is hot.

Using oven cleaner in a hot cooking compartment damages the enamel.

- ▶ Never use oven cleaner in the cooking compartment when it is still warm.
- ▶ Remove all food remnants from the cooking compartment and the appliance door before you next heat up the appliance.

If different cleaning agents are mixed together, there may be a chemical reaction between these.

- ▶ Do not mix cleaning agents.
- ▶ Completely remove any cleaning agent residue. Salt contained in new sponge cloths may damage surfaces.
- ▶ Wash new sponge cloths thoroughly before use.

## Suitable cleaning agents

Only use cleaning agents that are suitable for the different surfaces on your appliance.

Follow the instructions on cleaning the appliance. → "Cleaning the appliance", Page 25

### Appliance front

| Surface   | Suitable cleaning agents   | Information  |
|---|--|--|
| Stainless steel                                   | <ul style="list-style-type: none"> <li>▪ Hot soapy water</li> <li>▪ Special stainless steel cleaning products suitable for hot surfaces</li> </ul> | To prevent corrosion, remove any patches of limescale, grease, starch or albumin (e.g. egg white) from stainless steel surfaces immediately. Apply a thin layer of the stainless steel cleaning product. |
| Plastic or painted surfaces<br>E.g. control panel | <ul style="list-style-type: none"> <li>▪ Hot soapy water</li> </ul>  | Do not use glass cleaner or a glass scraper. To avoid permanent stains, immediately remove any descaling agent that gets onto the surface.   |

### Appliance door

| Area        | Suitable cleaning agents   | Information  |
|-------------|--|--|
| Door panels | <ul style="list-style-type: none"> <li>▪ Hot soapy water</li> <li>▪ Oven cleaners</li> </ul>   | Do not use a glass scraper or stainless steel wool.<br><b>Tip:</b> Remove the door panels in order to clean them thoroughly. → "Appliance door", Page 27                       |
| Door cover  | <ul style="list-style-type: none"> <li>▪ Made of stainless steel:<br/>Stainless steel cleaner</li> <li>▪ Made from plastic:<br/>Hot soapy water</li> </ul> | Do not use glass cleaner or a glass scraper. Do not use stainless steel care products.<br><b>Tip:</b> Remove the door cover for thorough cleaning. → "Appliance door", Page 27 |



| Area                                | Suitable cleaning agents  | Information  |
|-------------------------------------|---|--|
| Stainless steel interior door frame | <ul style="list-style-type: none"> <li>▪ Stainless steel cleaner</li> </ul> | Discolouration can be removed using stainless steel cleaner. Do not use stainless steel care products. |
| Door handle                         | <ul style="list-style-type: none"> <li>▪ Hot soapy water</li> </ul>         | To avoid permanent stains, immediately remove any descaling agent that gets onto the surface.          |
| Door seal                           | <ul style="list-style-type: none"> <li>▪ Hot soapy water</li> </ul>         | Do not remove or scrub.  |

### Cooking compartment

| Area                   | Suitable cleaning agents  | Information  |
|------------------------|---|--|
| Enamel surfaces        | <ul style="list-style-type: none"> <li>▪ Hot soapy water</li> <li>▪ Vinegar water</li> <li>▪ Oven cleaners</li> </ul> | Soak any heavily soiled areas and use a brush or steel wool. Leave the appliance door open to dry the cooking compartment after cleaning it.<br><b>Notes</b> <ul style="list-style-type: none"> <li>▪ Enamel burns at very high temperatures, causing minor discoloration. The functionality of your appliance is not affected by this.</li> <li>▪ The edges of thin trays cannot be completely enamelled and may be rough. This does not impair the corrosion protection.</li> <li>▪ Food residues leave a white coating on the enamel surfaces. The coating does not pose a health risk. The functionality of your appliance is not affected by this. You can remove residues with lemon juice.</li> </ul> |
| Self-cleaning surfaces | -   | Follow the instructions for self-cleaning surfaces.<br>→ <i>"Regenerating self-cleaning surfaces in the cooking compartment"</i> , Page 25   |
| Shelf supports         | <ul style="list-style-type: none"> <li>▪ Hot soapy water</li> </ul>   | Soak any heavily soiled areas and use a brush or steel wool.<br><b>Note:</b> To clean thoroughly, detach the shelf supports.<br>→ <i>"Rails"</i> , Page 31   |
| Accessories            | <ul style="list-style-type: none"> <li>▪ Hot soapy water</li> <li>▪ Oven cleaners</li> </ul>                          | Soak any heavily soiled areas and use a brush or steel wool. Enamelled accessories are dishwasher-safe. Do not use stainless steel wool on steam containers made from stainless steel. Use a vinegar solution to remove any dirt on stainless steel steam containers caused by starchy foods (e.g. rice).  |
| Water tank             | <ul style="list-style-type: none"> <li>▪ Hot soapy water</li> </ul>   | To remove residual detergent after cleaning, rinse thoroughly with clean water.<br>To dry the water tank after cleaning, leave the water tank to dry with the lid open. Dry the seal on the lid.<br>Do not clean in the dishwasher.  |

## 17.2 Cleaning the appliance

In order to avoid damaging the appliance, you must clean your appliance only as specified, and with suitable cleaning products.

### **WARNING – Risk of burns!**

The appliance and its parts that can be touched become hot during use.

- ▶ Caution should be exercised here in order to avoid touching heating elements.
- ▶ Young children under 8 years of age must be kept away from the appliance.

### **WARNING – Risk of fire!**

Loose food remnants, fat and meat juices may catch fire.

- ▶ Before using the appliance, remove the worst of the food residues and remnants from the cooking compartment, heating elements and accessories.

**Requirement:** Read the information on cleaning products.

→ *"Cleaning products"*, Page 24

1. Clean the appliance using hot soapy water and a dish cloth.
  - For some surfaces, you can use alternative cleaning agents.  
→ *"Suitable cleaning agents"*, Page 24
2. Dry with a soft cloth.

### **Regenerating self-cleaning surfaces in the cooking compartment**

The back panel in the cooking compartment is self-cleaning. The self-cleaning surfaces are coated with a porous, matt ceramic layer and have a rough surface. When the appliance is in operation, the self-cleaning surfaces absorb splashes from baking, roasting or grilling, and break them down. If the self-cleaning surfaces no longer clean themselves adequately during operation, heat up the cooking compartment specifically to the right temperature.

### ATTENTION!

If you do not clean the self-cleaning surfaces regularly, they may become damaged.


- ▶ If dark stains are visible on the self-cleaning surfaces, heat up the cooking compartment.
- ▶ Do not use oven cleaner or abrasive cleaning aids. If oven cleaner accidentally comes into contact with the self-cleaning surfaces, dab it off immediately using water and a sponge cloth. Do not rub.

1. Remove accessories and cookware from the cooking compartment.
2. Detach the shelf supports and remove them from the cooking compartment.  
→ "Rails", Page 31
3. Remove coarse dirt using soapy water and a soft cloth:
  - From the smooth enamel surfaces
  - From the inside of the appliance door

- From the glass cover on the oven lamp  
This prevents stains that cannot be removed.
4. Remove any objects from the cooking compartment. The cooking compartment must be empty.
  5. Set the 4D hot air type of heating.
  6. Set the maximum temperature.
  7. Start the operation.
  8. Switch off the appliance after 1 hour.
  9. Once the appliance has cooled down, wipe the cooking compartment with a damp cloth.  
**Note:** Marks may appear on the self-cleaning surfaces. Residues of sugar and egg white in the food are not removed and stick to the surfaces. Red stains are residues from salty food – they are not rust. The stains are not hazardous to health. These marks do not impair the cleaning ability of the self-cleaning surfaces.
  10. Attach the shelf supports.  
→ "Rails", Page 31

---

## 18 Cleaning aid "humidClean"

The cleaning aid "humidClean"  is a quick alternative for occasionally cleaning the cooking compartment. The cleaning aid softens dirt by vaporising the soapy water. It is then easier to remove the dirt.

### 18.1 Setting the cleaning aid



#### **WARNING – Risk of scalding!**

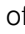
If there is water in the cooking compartment when it is hot, this may create hot steam.

- ▶ Never pour water into the cooking compartment when the cooking compartment is hot.

**Note:** The oven light does not come on during the cleaning aid.

**Requirement:** The cooking compartment must have cooled down completely.

1. Remove any accessories from the cooking compartment.
  2. **ATTENTION!**  
Distilled water in the cooking compartment leads to corrosion.
    - ▶ Do not use distilled water.Mix 0.4 litres water with a drop of washing-up liquid and pour into the centre of the cooking compartment floor.
  3. Press "Cleaning".
  4. Press "humidClean".  
The duration cannot be changed.
  5. Press /.
- ✓ A notification stating that you should carry out the necessary preparatory work for the cleaning aid appears on the display.

6. Confirm the notification.
  - ✓ The cleaning aid starts and the cooking time counts down.
  - ✓ Once the cleaning aid has ended, a signal tone sounds. A notification appears on the display confirming that the operation has finished.
7. Press  to switch the appliance off.
8. → "Cleaning the cooking compartment after using the cleaning aid", Page 26.

### 18.2 Cleaning the cooking compartment after using the cleaning aid

#### ATTENTION!

The prolonged presence of moisture in the cooking compartment leads to corrosion.

- ▶ After using the cleaning assistance, wipe the cooking compartment and allow it to dry completely.
1. Allow the appliance to cool down.
  2. Wipe out the remaining water in the cooking compartment using an absorbent sponge cloth.
  3. Clean the smooth enamel surfaces in the cooking compartment with a dish cloth or a soft brush. Remove stubborn food remnants using a stainless steel scouring pad.
  4. Remove limescale with a cloth soaked in vinegar, and wipe this away with clean water.
  5. Dry the cooking compartment with a soft cloth.
  6. To dry the cooking compartment completely, leave the appliance door open for approx. 1 hour or use the "Drying" function.  
→ "Setting the drying process", Page 27

---

## 19 Descaling

To ensure that your appliance continues to operate correctly, it must be descaled regularly.

How frequently you need to run the descaling programme depends on the water hardness and how many times you have used the steam-assisted opera-

tions. The appliance indicates when only another 5 or fewer steam-assisted operations are possible. If you do not carry out descaling, you can no longer set any operation with steam.

Descaling comprises several steps and takes approximately 70 - 95 minutes:

- Descaling (approx. 55 - 70 minutes)
- First rinse cycle (approx. 8 - 12 minutes)
- Second rinse cycle (approx. 8 - 12 minutes)

Carry out descaling in full.

If descaling is interrupted, you can no longer set any operation. To ensure that the appliance is ready for operation again, carry out 2 rinse cycles.

## 19.1 Preparing descaling

### ATTENTION!

The length of time for which the descaler is left to work is based on the recommended, liquid descaler. Other descalers may damage the appliance.

- ▶ Only use the liquid descaler recommended by us for the descaling programme.

If descaling solution comes into contact with the control panel or other delicate surfaces, it will damage them.

- ▶ Remove descaling solution immediately with water.

1. Mix the descaling solution:
  - 200 ml liquid descaler
  - 400 ml water
2. Open the control panel.
3. Remove the water tank and fill it with descaling solution.
4. Once the descaling solution has been poured into the water tank, slide the tank back in.
5. Close the control panel.

## 19.2 Setting the descaling programme

**Requirement:** → "Preparing descaling", Page 27

1. Press "Cleaning".
2. Press "Descaling".  
The duration cannot be changed.
3. Press ▷/□.
  - ✓ A message stating that you should carry out the necessary preparatory work for descaling appears on the display.
4. Confirm the message.
  - ✓ The descaling programme starts and the duration counts down.
  - ✓ Once the first part of the descaling programme has finished, a signal sounds. The appliance prompts you to carry out 2 rinse cycles.
5. To rinse the appliance, for each rinse cycle:
  - Open the control panel and remove the water tank.
  - Thoroughly rinse the water tank and fill it with fresh water.
  - Slide in the water tank and close the control panel.
  - Press ▷/□ to start the rinse cycle.
  - ✓ A signal tone sounds when each rinse cycle has ended.
6. Once the second rinse cycle is complete:
  - Empty and dry the water tank.  
→ "Emptying the water tank", Page 18
  - Press ☺ to switch the appliance off.

# 20 Drying function

To prevent residual moisture, dry the cooking compartment following operation with steam.

### ATTENTION!

If there is water on the cooking compartment floor when operating the appliance at temperatures above 120 °C, this will damage the enamel.

- ▶ Do not use the appliance if there is water on the cooking compartment floor.
- ▶ Wipe away any water on the cooking compartment floor before operation.

## 20.1 Drying the cooking compartment

You can dry the cooking compartment by hand or use the "Drying function" function.

1. Allow the appliance to cool down.
2. Remove dirt from the cooking compartment.
3. Wipe away the water in the cooking compartment.
4. Dry the cooking compartment.
  - To dry the cooking compartment, leave the appliance door open for 1 hour.

- To use the "Drying function" function, set "Drying function".  
→ "Setting the drying process", Page 27

### Setting the drying process

**Requirement:** → "Drying the cooking compartment", Page 27

1. Press "Cleaning".
2. Press "Drying function".  
The duration cannot be changed.
3. Press ▷/□.
  - ✓ A notification stating that you should carry out the necessary preparatory work for the drying appears on the display.
4. Confirm the notification.
  - ✓ The drying process starts and the duration counts down.
  - ✓ Once the drying has ended, a signal tone sounds. A notification appears on the display confirming that the operation has finished.
5. Press ☺ to switch the appliance off.
6. To dry the cooking compartment completely, leave the appliance door open for 1 to 2 minutes.

# 21 Appliance door

To clean the appliance door thoroughly, you can disassemble the appliance door.

**Note:** Wipe the condensate trough without pressure.

## 21.1 Detaching the appliance door

### **⚠ WARNING – Risk of injury!**

Components inside the appliance door may have sharp edges.

- ▶ Wear protective gloves.

The hinges on the appliance door move when the door is opened and closed, which could trap your fingers.

- ▶ Keep your hands away from the hinges.

1. Open the appliance door fully.

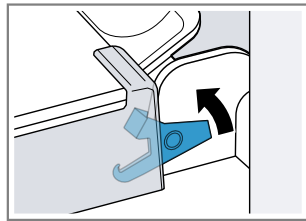
### **⚠ WARNING – Risk of injury!**

When the hinges are not secured, they can snap shut with great force.

- ▶ Make sure that the locking levers are always either fully closed or (when detaching the oven door) fully open.

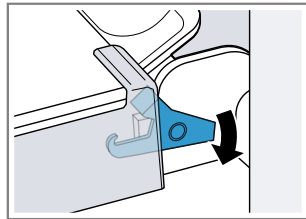
Open the locking levers on the left- and right-hand hinges.

Locking levers opened



The hinge is now secured and cannot snap shut.

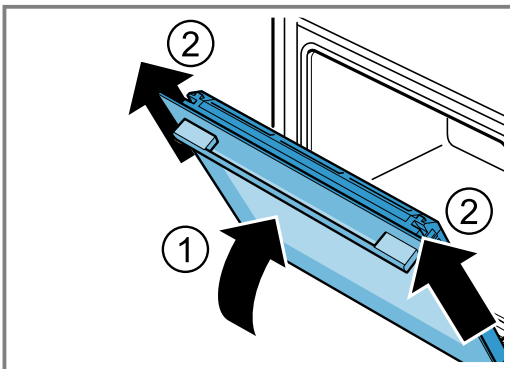
Locking levers closed



The appliance door is secured and cannot be detached.

- ✓ The locking levers are open. The hinges are now secured and cannot snap shut.

3. Close the appliance door fully ①. Grab hold of the appliance door with both hands (on the left and right) and pull it upwards and out ②.



4. Carefully place the appliance door on a level surface.

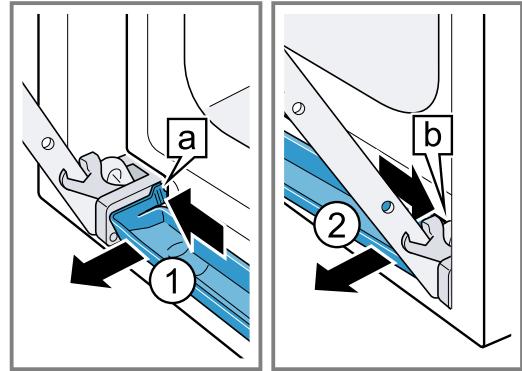
## Removing the condensate tray

### Notes

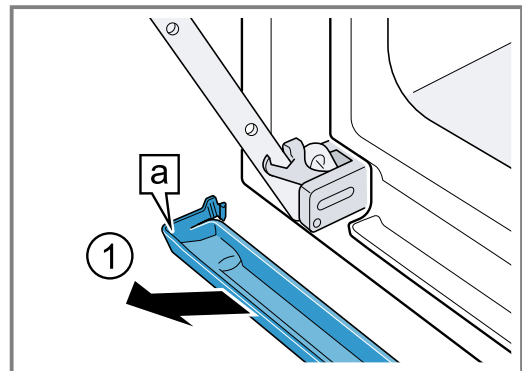
- Wipe down the condensate tray after every steam operation or before removing it.
- Do not clean the condensate tray in the dishwasher

**Requirement:** The appliance door must be removed.

1. Press on the left-hand pressure surface **a** ① until the hook is released.
2. Press on the right-hand pressure surface **b** ② until the hook is released.

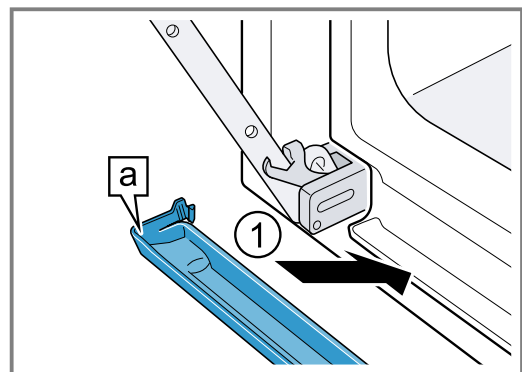


3. Tilt the condensate tray forwards slightly until the lower retaining hooks are released.
4. Use both hands to pull the condensate tray **a** upwards and out at an angle ①.

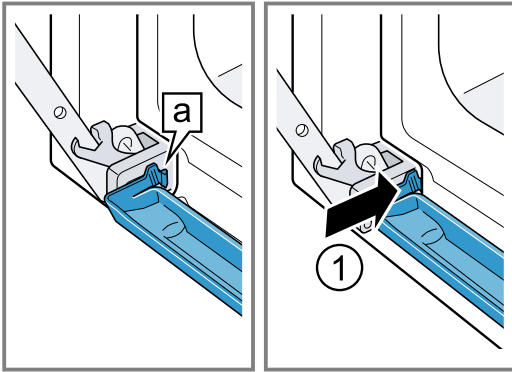


## Installing the condensate tray

1. Use both hands to insert the condensate tray **a** at an angle ①.



2. Snap the hooks **a** on the left and right of the condensate tray into the gap **1**.



3. Push the condensate tray until the hooks on the right, left and bottom click into place.
  - ✓ The condensate tray is installed horizontally.

## 21.2 Attaching the appliance door

### **⚠ WARNING – Risk of injury!**

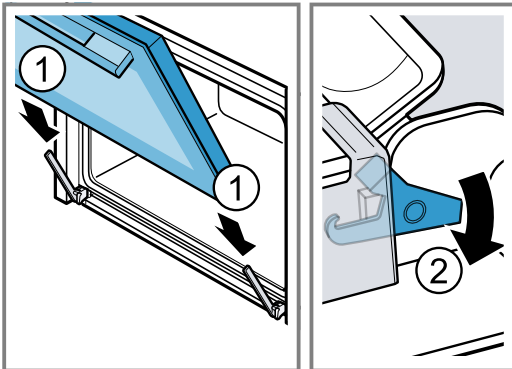
The hinges on the appliance door move when the door is opened and closed, which could trap your fingers.

- ▶ Keep your hands away from the hinges.

When the hinges are not secured, they can snap shut with great force.

- ▶ Make sure that the locking levers are always either fully closed or (when detaching the oven door) fully open.

1. Slide the appliance door straight onto the two hinges **1**. Slide the appliance door on as far as it will go.
2. Open the appliance door fully.
3. Close the locking levers on the left- and right-hand hinges **2**.



- ✓ The locking levers are closed. The appliance door is secured and cannot be detached.

4. Close the appliance door.

## 21.3 Removing the door panes

### **⚠ WARNING – Risk of injury!**

The hinges on the appliance door move when the door is opened and closed, which could trap your fingers.

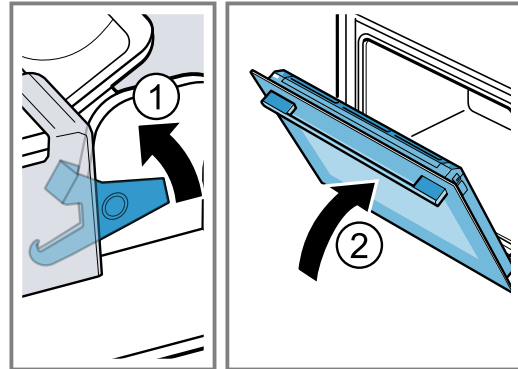
- ▶ Keep your hands away from the hinges.

Components inside the appliance door may have sharp edges.

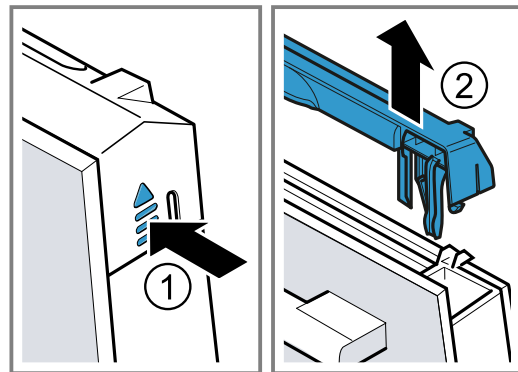
- ▶ Wear protective gloves.

1. Open the appliance door fully.

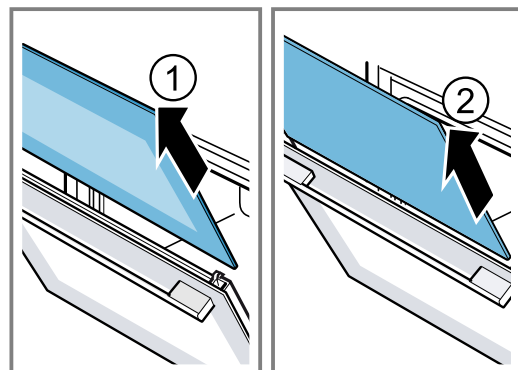
2. Open the locking levers on the left- and right-hand hinges **1**.
  - ✓ The locking levers are open. The hinges are now secured and cannot snap shut.
3. Close the appliance door fully **2**.



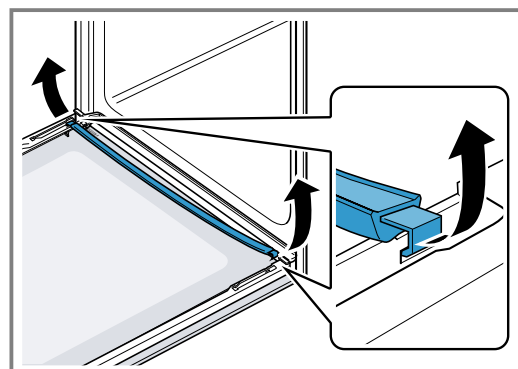
4. Push on the left- and right-hand side of the door cover from the outside **1** until it is released.
5. Remove the door cover **2**.



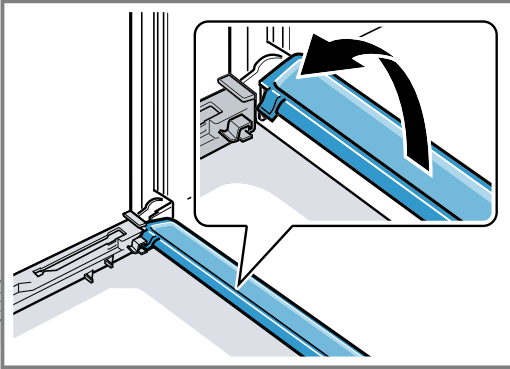
6. Lift out the inner pane **1** and set it down carefully on a flat surface.
7. Lift out the intermediate pane **2** and set it down carefully on a flat surface.



8. Open the appliance door and remove the door seal.



9. If necessary, you can remove the condensate trough for cleaning.
- Open the appliance door.
  - Tilt the condensate trough upwards and remove it.

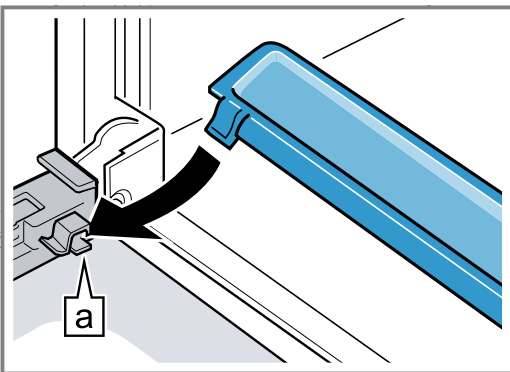


10. **⚠ WARNING – Risk of injury!**  
 Scratched glass in the appliance door may develop into a crack.
- ▶ Do not use any harsh or abrasive cleaners or sharp metal scrapers to clean the glass on the oven door, as they may scratch the surface.
- Clean the removed door panels on both sides with glass cleaner and a soft cloth.
11. Clean the condensate trough with a cloth and hot soapy water.
12. Clean the appliance door.  
 → "Suitable cleaning agents", Page 24
13. Dry the door panels and refit them.  
 → "Fitting the door panes", Page 30

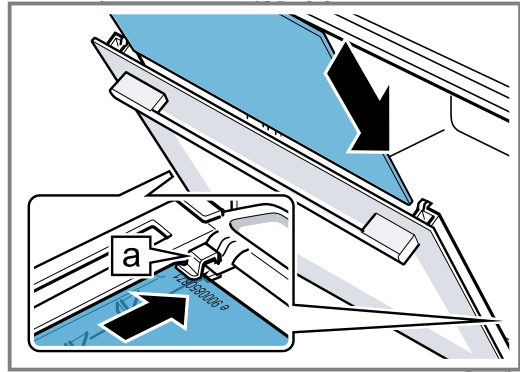
## 21.4 Fitting the door panes

- ⚠ WARNING – Risk of injury!**  
 The hinges on the appliance door move when the door is opened and closed, which could trap your fingers.
- ▶ Keep your hands away from the hinges.
- Components inside the appliance door may have sharp edges.
- ▶ Wear protective gloves.

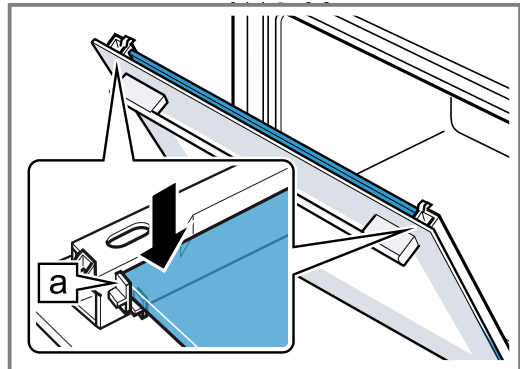
1. Open the appliance door fully.
2. Place the condensate trough vertically into the retainer **a** and turn it downwards.



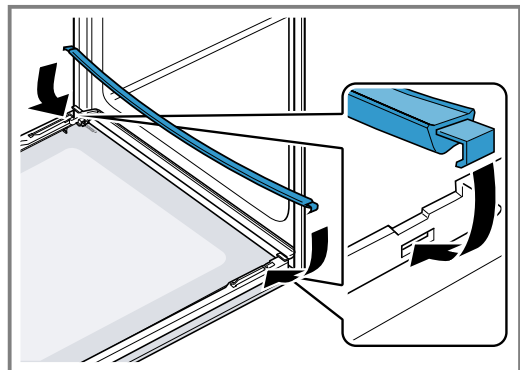
3. Slide the intermediate pane into the left- and right-hand retainers **a**.



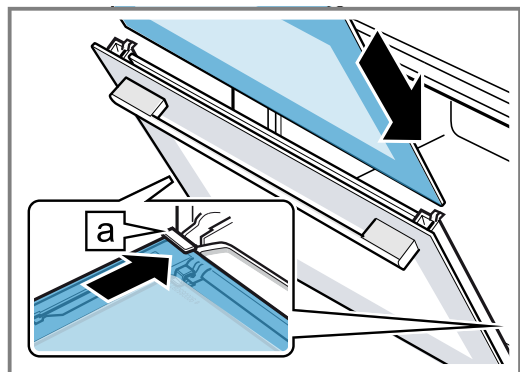
4. Push the intermediate pane upwards until it is in the left- and right-hand retainers **a**.



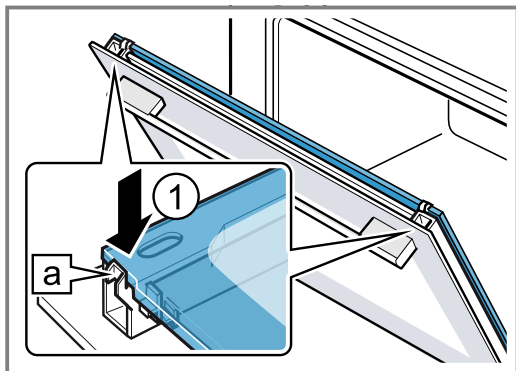
5. Open the appliance door and attach the door seal.



6. **Note:** When sliding the pane in, ensure that the glossy side of the pane is on the outside and the cut-outs on the left and right are at the top. Slide the inner pane into the left- and right-hand retainers **a**.

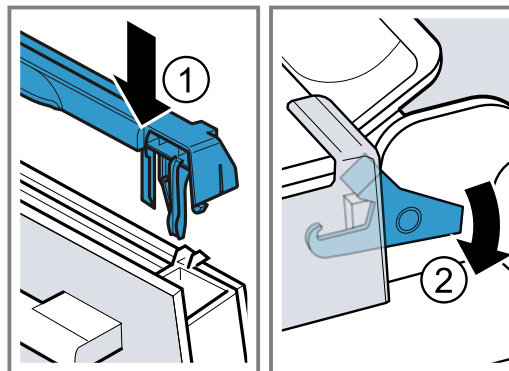


7. Push the inner pane upwards until it is in the left- and right-hand retainers **a**.



8. Put the door cover into position **1** and push down on it until you hear it click into place.  
 9. Open the appliance door fully.

10. Close the locking levers on the left- and right-hand hinges **2**.



- ✓ The locking levers are closed. The appliance door is secured and cannot be detached.  
 11. Close the appliance door.  
**Note:** Do not use the cooking compartment again until the door panes have been correctly fitted.

## 22 Rails

To thoroughly clean the rails and the cooking compartment, or to replace the rails, you can remove the rails.

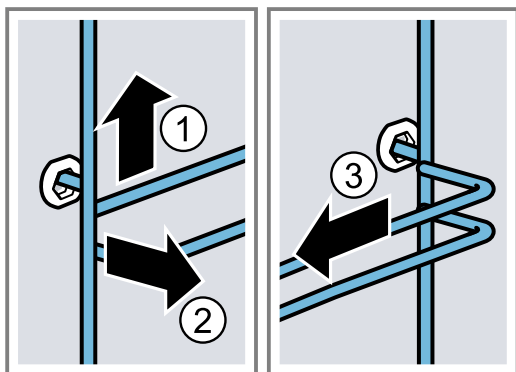
### 22.1 Detaching the rails

**⚠ WARNING – Risk of burns!**

The shelf supports get very hot

- ▶ Never touch the shelf supports when hot.
- ▶ Always allow the appliance to cool down.
- ▶ Keep children at a safe distance.

1. Lift the rail forwards slightly **1** and detach it **2**.
2. Pull the whole rail to the front **3** and remove it.



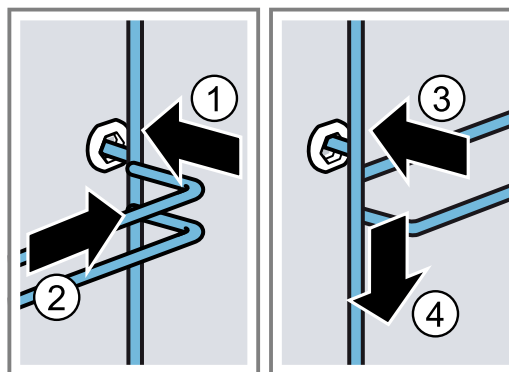
3. Clean the rail.  
 → "Cleaning products", Page 24

### 22.2 Attaching the rails

**Notes**

- The rails only fit on the right or left.
- For both rails, ensure that the curved rods are at the front.

1. First, push the rail into the middle of the rear socket **1** until the rail rests against the cooking compartment wall, and then push this back **2**.
2. Push the rail into the front socket **3** until the rail also rests against the cooking compartment wall, and then press this downwards **4**.



## 23 Troubleshooting

You can rectify minor faults on your appliance yourself. Read the troubleshooting information before contacting after-sales service. This will avoid unnecessary costs.

### **WARNING – Risk of injury!**

Improper repairs are dangerous.

- ▶ Repairs to the appliance should only be carried out by trained specialist staff.
- ▶ If the appliance is defective, call Customer Service.  
→ "Customer Service", Page 34

### **WARNING – Risk of electric shock!**

Improper repairs are dangerous.


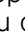
- ▶ Repairs to the appliance should only be carried out by trained specialist staff.
- ▶ Only use genuine spare parts when repairing the appliance.
- ▶ If the power cord of this appliance is damaged, it must be replaced by trained specialist staff.

### 23.1 Malfunctions

| Fault   | Cause and troubleshooting   |
|---|---|
| The appliance is not working.                                 | <p>The circuit breaker in the fuse box has tripped.</p> <ul style="list-style-type: none"> <li>▶ Check the circuit breaker in the fuse box.</li> </ul> <hr/> <p>There has been a power cut.</p> <ul style="list-style-type: none"> <li>▶ Check whether the lighting in your kitchen or other appliances are working.</li> </ul> <hr/> <p>Electronics fault</p> <ol style="list-style-type: none"> <li>1. Disconnect the appliance from the power supply for at least 30 seconds by switching off the fuse.</li> <li>2. Reset the basic settings to the factory settings.<br/>→ "Basic settings", Page 21</li> </ol> |
| "Sprache Deutsch" appears in the display.                     | <p>There has been a power cut.</p> <ul style="list-style-type: none"> <li>▶ Configure the initial configuration settings.</li> </ul>  |
| The operation does not start or is interrupted.               | <p>Different causes are possible.</p> <ul style="list-style-type: none"> <li>▶ Check the notifications that appear on the display.<br/>→ "Displaying information", Page 13</li> </ul> <hr/> <p>Malfunction</p> <ul style="list-style-type: none"> <li>▶ Call the after-sales service.<br/>→ "Customer Service", Page 34</li> </ul>  |
| Appliance does not heat up.                                   | <p>Demo mode is switched on.</p> <ol style="list-style-type: none"> <li>1. Briefly disconnect the appliance from the power supply by switching the circuit breaker in the fuse box off and then on again.</li> <li>2. Switch off demo mode in the basic settings within approx. 5 minutes.<br/>→ "Changing the basic settings", Page 22</li> </ol> <hr/> <p>There has been a power cut.</p> <ul style="list-style-type: none"> <li>▶ Open and close the appliance door once after a power failure.</li> <li>✓ The appliance is checked and is ready to use.</li> </ul>  |
| The time is not displayed when the appliance is switched off. | <p>Basic setting has been changed.</p> <ul style="list-style-type: none"> <li>▶ Change the basic setting for the time display.<br/>→ "Basic settings", Page 21</li> </ul>   |
| Home Connect is not working properly.                         | <p>Different causes are possible.</p> <ul style="list-style-type: none"> <li>▶ Go to <a href="http://www.home-connect.com">www.home-connect.com</a>.</li> </ul>   |
| The control panel cannot be opened.                           | <p>The circuit breaker in the fuse box has tripped.</p> <ul style="list-style-type: none"> <li>▶ Check the circuit breaker in the fuse box.</li> </ul> <hr/> <p>There has been a power cut.</p> <ul style="list-style-type: none"> <li>▶ Check whether the lighting in your kitchen or other appliances are working.</li> </ul>   |



| Fault  | Cause and troubleshooting   |
|--|---|
| The control panel cannot be opened.  | Malfunction <ol style="list-style-type: none"> <li>1. Call the after-sales service.<br/>→ <i>"Customer Service", Page 34</i></li> <li>2. If there is water in the water tank, empty the water tank:                             <ul style="list-style-type: none"> <li>- Open the appliance door.</li> <li>- Grip on the right and left below the control panel.</li> <li>- Slowly pull out the control panel and push it upwards.</li> </ul> </li> </ol>   |
| Intense steam generation when steaming.  | The appliance is automatically calibrated.<br>No action required. <hr/> If the cooking times are too short, the appliance is not automatically calibrated.<br>If a lot of steam is generated repeatedly, the appliance is recalibrated. <ol style="list-style-type: none"> <li>1. Reset the appliance to the factory setting.<br/>→ <i>"Basic settings", Page 21</i></li> <li>2. Repeat the calibrations.<br/>→ <i>"Before using for the first time", Page 11</i></li> </ol>  |
| The appliance requests descaling without the counter appearing in advance.           | The set water hardness range is too low. <ol style="list-style-type: none"> <li>1. Descale the appliance.<br/>→ <i>"Descaling", Page 26</i></li> <li>2. Check the water hardness and set this in the basic settings.<br/>→ <i>"Basic settings", Page 21</i></li> </ol>  |
| The appliance prompts you to rinse it.   | During the descaling, the power supply is interrupted or the appliance is switched off. <ul style="list-style-type: none"> <li>▶ Rinse the appliance.<br/>→ <i>"Descaling", Page 26</i></li> </ul>  |
| "Fill water tank" appears in the display even though the water tank has been filled. | The water tank has not clicked into place. <ul style="list-style-type: none"> <li>▶ Insert the water tank correctly so that it engages in the holder.<br/>→ <i>"Filling the water tank", Page 15</i></li> </ul> <hr/> The water tank has fallen out. Shaking has caused parts to come loose in the water tank.<br>The water tank is leaking. <ul style="list-style-type: none"> <li>▶ Order a new water tank.<br/>→ <i>"Customer Service", Page 34</i></li> </ul> <hr/> Malfunction <ul style="list-style-type: none"> <li>▶ Do not use deionised or filtered water.<br/>→ <i>"Determining the water hardness before switching on the appliance for the first time", Page 11</i></li> </ul> <hr/> The sensor is defective. <ul style="list-style-type: none"> <li>▶ Call the after-sales service.<br/>→ <i>"Customer Service", Page 34</i></li> </ul> |
| Buttons are flashing.  | Condensation has formed behind the control panel.<br>No action required. As soon as the condensation has evaporated, the buttons no longer flash.   |
| "Plopping" sounds can be heard when cooking with steam.                              | Water vapour requires the cold/heat effect for frozen food.<br>No action required.  |
| The appliance hums during operation and after it is switched off.                    | Functional test of the pump creates operating noise.<br>No action required.   |
| The interior lighting does not work.   | Basic setting has been changed. <ul style="list-style-type: none"> <li>▶ Change the basic setting for the lighting.<br/>→ <i>"Basic settings", Page 21</i></li> </ul> <hr/> The LED light is defective. <ul style="list-style-type: none"> <li>▶ Call the after-sales service.<br/>→ <i>"Customer Service", Page 34</i></li> </ul>  |

| Fault   | Cause and troubleshooting   |
|---|---|
| Maximum operating time reached.   | <p>To prevent an unwanted permanent operation, the appliance automatically stops heating after several hours if the settings are unchanged. A message appears in the display. The point at which the maximum operating time is reached is determined by the corresponding settings for an operating mode.</p> <ol style="list-style-type: none"> <li>To continue operation, switch the appliance off and on again using . Reset and start the operation.</li> <li>If you do not need to use the appliance, press  to switch it off.</li> </ol> <p><b>Tip:</b> To prevent the appliance from switching off when you do not want it to, set a cooking time.<br/>→ "Time-setting options", Page 14</p> |
| Error code made up of letters and numbers appears on the display, e.g. E0111. | <p>The electronics have detected a fault.</p> <ol style="list-style-type: none"> <li>Switch the appliance off and on again.                     <ul style="list-style-type: none"> <li>✓ If the fault was a one-off, the message disappears.</li> </ul> </li> <li>If the message appears again, call the after-sales service. Please specify the exact error message when calling.<br/>→ "Customer Service", Page 34</li> </ol>   |
| The cooking result is not satisfactory.                                       | <p>Settings were unsuitable. Adjustment values, e.g. temperature or cooking time, depend on the recipe, quantity and food.</p> <ul style="list-style-type: none"> <li>▶ Next time, set lower or higher values.</li> </ul> <p><b>Tip:</b> A lot of other information about the food preparation and corresponding adjustment values can be found in the Home Connect app or on our website <a href="http://siemens-home.bsh-group.com">siemens-home.bsh-group.com</a>.</p>   |

## 24 Disposal

### 24.1 Disposing of old appliance

Valuable raw materials can be reused by recycling.

- Unplug the appliance from the mains.
- Cut through the power cord.
- Dispose of the appliance in an environmentally friendly manner.  
Information about current disposal methods are available from your specialist dealer or local authority.



This appliance is labelled in accordance with European Directive 2012/19/EU concerning used electrical and electronic appliances (waste electrical and electronic equipment - WEEE).  
The guideline determines the framework for the return and recycling of used appliances as applicable throughout the EU.

## 25 Customer Service

Detailed information on the warranty period and terms of warranty in your country is available from our after-sales service, your retailer or on our website.

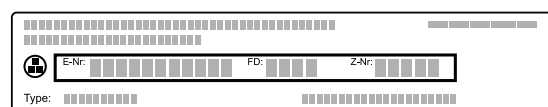
If you contact Customer Service, you will require the product number (E-Nr.), the production number (FD) and the consecutive numbering (Z-Nr.) of your appliance.

The contact details for Customer Service can be found in the enclosed Customer Service directory or on our website.

This product contains light sources from energy efficiency class G. These light sources are available as a spare part and should only be replaced by trained specialist staff.

### 25.1 Product number (E-Nr.), production number (FD) and consecutive numbering (Z-Nr.)

You can find the product number (E-Nr.), the production number (FD) and the consecutive numbering (Z-Nr.) on the appliance's rating plate.  
You will see the rating plate with these numbers if you open the appliance door. On some appliances with steam-assisted cooking, you will find the rating plate behind the control panel.



Make a note of your appliance's details and the Customer Service telephone number to find them again quickly.

You can also display the appliance information in the basic settings.

→ "Basic settings", Page 21

## 26 Information regarding Free and Open Source Software

This product includes software components that are licensed by the copyright holders as free or open source software.

The applicable licence information is stored on your home appliance. You can also access the applicable licence information via your Home Connect app: "Profile -> Legal information -> Licence Information".<sup>1</sup> You can download the licence information on the brand product website. (Please search on the product website for your appliance model and additional documents). Alternatively, you can request the relevant information from [ossrequest@bshg.com](mailto:ossrequest@bshg.com) or BSH Hausgeräte GmbH, Carl-Wery-Str. 34, 81739 Munich, Germany.

The source code will be made available to you on request.

Please send your request to [ossrequest@bshg.com](mailto:ossrequest@bshg.com) or BSH Hausgeräte GmbH, Carl-Wery-Str.34, 81739 Munich, Germany.

Subject: „OSSREQUEST“

The cost of performing your request will be charged to you. This offer is valid for three years from the date of purchase or at least as long as we offer support and spare parts for the relevant appliance.

## 27 Declaration of Conformity

BSH Hausgeräte GmbH hereby declares that the appliance with Home Connect functionality conforms to the essential requirements and other relevant provisions of Directive 2014/53/EU.

A detailed RED Declaration of Conformity can be found online at [siemens-home.bsh-group.com](http://siemens-home.bsh-group.com) among the additional documents on the product page for your appliance.

Hereby, BSH Hausgeräte GmbH declares that the appliance with Home Connect functionality is in compliance with relevant statutory requirements.<sup>2</sup>

A detailed Declaration of Conformity can be found online at [siemens-home.bsh-group.com/uk/](http://siemens-home.bsh-group.com/uk/) among the additional documents on the product page for your appliance.<sup>2</sup>

2.4 GHz band (2400–2483.5 MHz): Max. 100 mW



|    |    |    |    |    |         |    |    |    |
|----|----|----|----|----|---------|----|----|----|
| BE | BG | CZ | DK | DE | EE      | IE | EL | ES |
| FR | HR | IT | CY | LI | LV      | LT | LU | HU |
| MT | NL | AT | PL | PT | RO      | SI | SK | FI |
| SE | NO | CH | TR | IS | UK (NI) |    |    |    |

5 GHz WLAN (Wi-Fi): For indoor use only.

|    |    |    |    |    |    |    |    |
|----|----|----|----|----|----|----|----|
| AL | BA | MD | ME | MK | RS | UK | UA |
|----|----|----|----|----|----|----|----|

5 GHz WLAN (Wi-Fi): For indoor use only.

## 28 How it works

Here, you can find the ideal settings for various types of food as well as the best accessories and cookware. We have perfectly tailored these recommendations to your appliance.

**Tip:** A lot of other information about the food preparation and corresponding adjustment values can be found in the Home Connect app or on our website [siemens-home.bsh-group.com](http://siemens-home.bsh-group.com).

### 28.1 General cooking tips

Take note of the following information when cooking all types of food.

- The temperature and cooking time depend on the amount of food and the recipe. Settings ranges are specified for this reason. Try using the lower values to start with.

<sup>1</sup> Depending on the appliance specifications

<sup>2</sup> Only applies to Great Britain

- The setting values apply to food placed in the cooking compartment while the cooking compartment is still cold. If you want to preheat anyway, do not place accessories into the cooking compartment until it has finished preheating.
- Remove any accessories that are not being used from the cooking compartment.

## 28.2 Baking tips

- Dark-coloured metal baking tins are most suitable for baking cakes, bread and other baked goods.
- Use wide, shallow cookware for bakes and gratins. Food takes longer to cook in deep, narrow cookware and it browns more on top.
- If you are cooking bakes directly in the universal pan, place the universal pan into the cooking compartment at level 1.
- The setting values for bread dough apply to both dough placed on a baking tray and dough placed in a loaf tin.

### ATTENTION!

When the cooking compartment is hot, any water inside it will create steam. The change in temperature may cause damage.

- ▶ Never pour water into the cooking compartment when it is still hot.
- ▶ Never place cookware containing water on the cooking compartment floor.

### Shelf positions

You will obtain the best results if you use the following shelf positions.

If you are baking on one level, use shelf position 1.

| Baking on 2 levels                   | Height |
|--------------------------------------|--------|
| Universal pan                        | 3      |
| Baking tray                          | 1      |
| Baking tins/dishes on two wire racks | 3      |
|                                      | 1      |

Use the 4D hot air heating function.

**Note:** Items that are placed in the appliance on baking trays or in baking tins/dishes at the same time will not necessarily be ready at the same time.

## 28.3 Roasting, braising and grilling tips

- The recommended settings are for fridge-temperature food and unstuffed, oven-ready poultry.
- Place the poultry onto the cookware breast-side or skin-side down.
- Turn roasting joints, grilled items or whole fish after approx. ½ to ⅔ of the specified time.

### Roasting on the wire rack

Food roasted on the wire rack will become very crispy on all sides. You can roast large poultry, for example, or multiple individual pieces at the same time.

- Roast pieces of a similar weight and thickness. The grilled food will brown evenly and will remain succulent and juicy.
- Place the food to be roasted directly on the wire rack.

- To catch any liquids that drip down, place the universal pan, with the wire rack inside it, into the cooking compartment at the specified shelf height.
- Add up to ½ litre of water to the universal pan, depending on the size and type of food that you want to roast.

You can make a sauce from the juices that are collected. This also means that less smoke is produced and the cooking compartment does not become as dirty.

### Roasting in cookware

If you cover the cookware when you cook your food, this will keep the cooking compartment cleaner.

#### General information about roasting in cookware

- Use heat-resistant, ovenproof cookware.
- Place the cookware on the wire rack.
- Glass cookware is best.
- Follow the manufacturer's instructions for your roasting dishes.

#### Roasting in uncovered cookware

- Use a deep roasting dish.
- If you do not have any suitable cookware, you can use the universal pan.

#### Roasting in covered cookware

- Use a suitable lid that seals well.
- When roasting meat, there should be at least 3 cm between the food and the lid. The meat may expand.

### WARNING – Risk of scalding!

Very hot steam may escape when the lid is opened after cooking. Steam may not be visible, depending on the temperature.

- ▶ Lift the lid in such a way that the hot steam can escape away from you.
- ▶ Keep children away from the appliance.

### Grilling

Grill food if you want it to be crispy.

The "Grill" type of heating is good for cooking thinner pieces of poultry, meat and fish such as steaks, drumsticks and burgers. It is also excellent for toasting bread.

Circulated air grilling is very well suited to cooking whole poultry and fish, as well as meat, e.g. roast pork with crackling.

- When grilling several food items, choose pieces that are of a similar weight and thickness. The grilled food will brown evenly and will remain succulent and juicy.
- Place the food to be grilled directly onto the wire rack.
- To catch any liquids that drip down, place the universal pan into the cooking compartment at least one level below the wire rack.

### Notes

- The grill element switches on and off continuously. This is normal. The grill setting that you use determines how frequently this occurs.
- Smoke may be produced when grilling.

## 28.4 Cooking tips for steaming

Cook your food gently. The food remains particularly succulent.

In contrast to cooking with added steam, the meat does not become crispy on the outside.

- Use uncovered, heat-resistant cookware that is suitable for cooking with steam.
- The perforated steaming tray, size XL, is the best option here. To catch any liquid that drips down, slide the universal pan into the cooking compartment one level below.  
Alternatively, you can place a glass dish onto the wire rack.
- Cover food that you would normally cook in a bain marie with film, e.g. cling film.
- You do not need to turn the food.
- To obtain a slightly different flavour, you can sear the meat, poultry or fish before steaming. Reduce the cooking time.
- Larger food items require a longer heat-up time and a longer cooking time.
- If you are using several pieces which are the same weight, the appliance's heat-up time is increased. The cooking time remains the same.
- Open the door as infrequently as possible during steaming. Wipe the condensate drip tray after preparation. If the condensate drip tray overflows, this may cause damage to kitchen units.

- The main part of the user manual contains information on how to configure the steam settings.  
→ "Steaming", Page 15

### Vegetables on several levels

You can easily cook more than one type of food or even whole menus, e.g. broccoli and potatoes, on 2 levels. → Page 40

### Rice or cereal products

- Add water or liquid in the specified ratio.  
For example, 1:1.5 means add 150 ml liquid for every 100 g rice.







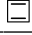

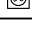
## 28.5 Cooking instructions for ready meals

- The cooking result greatly depends on the quality of the food. Pre-browning and irregularities may already be present in the food before cooking.
- Do not use frozen products that are covered with a thick layer of ice. Remove any ice on the food.
- Take ready meals out of the packaging.
- If you are warming or cooking the ready meal in cookware, make sure that the cookware is heat-resistant.
- Distribute foods that are in the form of separate pieces, such as bread rolls and potato products, so that they are spread out flat and evenly on the accessory. Leave a little space between the individual pieces.
- Follow the manufacturer's instructions on the packaging.

## 28.6 List of foods

Recommended settings for a variety of foods, sorted into food categories.

### Recommended settings for various types of food

| Food   | Accessory/cook-ware                 | Height | Type of heating<br>→ Page 8   | Temperature in °C/grill setting | Steam intensity | Cooking time in mins            |
|--|-------------------------------------|--------|---|---------------------------------|-----------------|---------------------------------|
| Fruit tart or cheesecake with shortcrust pastry base | Springform cake tin, diameter 26 cm | 1      |  | 170-180                         | -               | 60-80                           |
| Sponge flan, 6 eggs                                  | Springform cake tin Ø 28 cm         | 1      |  | 150-160                         | 1<br>Off        | <b>1.</b> 10<br><b>2.</b> 25-35 |
| Sponge flan, 6 eggs                                  | Springform cake tin Ø 28 cm         | 1      |  | 150-160                         | -               | 50-60                           |
| Shortcrust tart with moist topping                   | Universal pan                       | 1      |  | 160-180                         | -               | 60-80                           |
| Yeast cake with moist topping                        | Universal pan                       | 1      |  | 180-190                         | -               | 30-45                           |
| Swiss roll   | Baking tray                         | 1      |  | 190-210 <sup>1</sup>            | 1               | 10-15                           |
| Muffins  | Muffin tray                         | 1      |  | 170-190                         | -               | 15-30                           |
| Small yeast cakes                                    | Baking tray                         | 1      |  | 160-180                         | 2               | 25-35                           |
| Biscuits   | Baking tray                         | 2      |  | 140-160                         | -               | 15-30                           |

<sup>1</sup> Preheat the appliance.

<sup>2</sup> Turn the dish 2/3 of the way through the cooking time.

| Food  | Accessory/cook-ware         | Height | Type of heating<br>→ Page 8         | Temperature in °C/grill setting                             | Steam in-tensity | Cooking time in mins                                    |
|---|-----------------------------|--------|-------------------------------------|---|------------------|---|
| Biscuits, 2 levels                            | Universal pan + Baking tray | 3+1    |                                     | 130-150   | -                | 20-35   |
| Bread, 750 g                                  | Universal pan or Loaf tin   | 1      |                                     | <b>1.</b> 210-220<br><b>2.</b> 180-190                      | 3<br>Off         | <b>1.</b> 10-15<br><b>2.</b> 25-35                      |
| Bread, 1500 g                                 | Universal pan or Loaf tin   | 1      |                                     | <b>1.</b> 210-220<br><b>2.</b> 180-190                      | 3<br>Off         | <b>1.</b> 10-15<br><b>2.</b> 45-55                      |
| Bread, 1500 g                                 | Universal pan or Loaf tin   | 1      |                                     | 200-210   | -                | 35-45   |
| Flatbread                                     | Universal pan               | 2      |                                     | 220-230   | 3                | 20-30   |
| Bread rolls, fresh                            | Baking tray                 | 1      |                                     | 200-220   | 2                | 20-30   |
| Pizza, fresh                                  | Baking tray                 | 1      |                                     | 200-220   | -                | 20-30   |
| Pizza, fresh, 2 levels                        | Universal pan + Baking tray | 3+1    |                                     | 180-190   | -                | 35-45   |
| Pizza, fresh, thin-crust, on a pizza tray     | Pizza tray                  | 1      |                                     | 210-230   | -                | 20-30   |
| Quiche  | Dark coated quiche tin      | 1      |                                     | 190-210   | -                | 30-45   |
| Tarte flambée                                 | Universal pan               | 1      |                                     | 240-250 <sup>1</sup>  | -                | 10-18   |
| Bake, savoury, cooked ingredients             | Ovenproof dish              | 1      |                                     | 200-220   | -                | 35-55   |
| Bake, savoury, cooked ingredients             | Ovenproof dish              | 1      |                                     | 160-170   | 2                | 40-50   |
| Potato gratin, raw ingredients, 4 cm deep     | Ovenproof dish              | 1      |                                     | 170-180   | -                | 50-65   |
| Chicken, 1.3 kg, un-stuffed                   | Wire rack                   | 1      |                                     | 200-220   | -                | 60-70   |
| Chicken, 1.3 kg, un-stuffed                   | Wire rack                   | 1      |                                     | 200-220   | 2                | 50-60   |
| Chicken breast fillet, steaming               | Perforated steam-ing tray   | 2      |                                     | 100   | -                | 15-25   |
| Small chicken portions, 250 g each            | Wire rack                   | 2      |                                     | 200-220   | 2                | 30-45   |
| Goose, unstuffed, 3 kg                        | Wire rack                   | 1      |                                     | 160-180   | -                | 120-150   |
| Goose, unstuffed, 3 kg                        | Wire rack                   | 1      | <b>1.</b><br><b>2.</b><br><b>3.</b> | <b>1.</b> 130-140<br><b>2.</b> 150-160<br><b>3.</b> 170-180 | 2<br>2<br>Off    | <b>1.</b> 110-120<br><b>2.</b> 20-30<br><b>3.</b> 30-40 |
| Joint of pork without rind, e.g. neck, 1.5 kg | Wire rack                   | 1      |                                     | 180-200   | -                | 120-130   |
| Joint of pork without rind, e.g. neck, 1.5 kg | Uncovered cook-ware         | 1      |                                     | 180-190   | -                | 120-140   |
| Joint of pork with rind, e.g. shoulder, 2 kg  | Uncovered cook-ware         | 1      | <b>1.</b><br><b>2.</b><br><b>3.</b> | <b>1.</b> 100<br><b>2.</b> 170-180<br><b>3.</b> 200-210     | Off<br>1<br>Off  | <b>1.</b> 25-30<br><b>2.</b> 60-80<br><b>3.</b> 20-30   |
| Fillet of beef, medium, 1 kg                  | Wire rack                   | 1      |                                     | 210-220   | -                | 40-50   |
| Fillet of beef, medium, 1 kg                  | Uncovered cook-ware         | 1      |                                     | 190-200   | 1                | 50-60   |
| Pot-roasted beef, 1.5 kg                      | Covered cookware            | 1      |                                     | 200-220   | -                | 130-140   |

<sup>1</sup> Preheat the appliance.

<sup>2</sup> Turn the dish 2/3 of the way through the cooking time.

| Food                                       | Accessory/cook-ware           | Height | Type of heating<br>→ Page 8 | Temperature in °C/grill setting        | Steam in-tensity | Cooking time in mins              |
|--|-------------------------------|--------|-----------------------------|--|------------------|-----------------------------------|
| Pot-roasted beef, 1.5 kg                   | Covered cookware              | 1      |                             | 200-220                                | -                | 140-160                           |
| Sirloin, medium, 1.5 kg                    | Wire rack                     | 1      |                             | 220-230                                | -                | 60-70                             |
| Sirloin, medium, 1.5 kg                    | Uncovered cook-ware           | 1      |                             | 190-200                                | 1                | 65-80                             |
| Burger, 3–4 cm thick                       | Wire rack                     | 2      |                             | 3                                      | -                | 20-30 <sup>2</sup>                |
| Leg of lamb, boned, me-<br>dium, 1.5 kg    | Wire rack                     | 1      |                             | 170-190                                | -                | 50-70                             |
| Leg of lamb, boned, me-<br>dium, 1.5 kg    | Uncovered cook-ware           | 1      |                             | 170-180                                | 1                | 80-90                             |
| Fish, grilled, whole,<br>300 g, e.g. trout | Wire rack                     | 1      |                             | 170-190                                | -                | 20-30                             |
| Fish, baked, whole,<br>300 g, e.g. trout   | Universal pan                 | 1      |                             | <b>1.</b> 170-180<br><b>2.</b> 160-170 | <b>2</b><br>Off  | <b>1.</b> 15-20<br><b>2.</b> 5-10 |
| Fish, steamed, whole,<br>300 g, e.g. trout | Perforated steam-<br>ing tray | 2      |                             | 80-90                                  | -                | 15-25                             |
| Fish fillet, plain, steamed                | Perforated steam-<br>ing tray | 2      |                             | 80-100                                 | -                | 10-16                             |
| Cauliflower, whole,<br>steaming            | Perforated steam-<br>ing tray | 2      |                             | 120                                    | -                | 20-30                             |
| Sliced carrots, steaming                   | Perforated steam-<br>ing tray | 2      |                             | 120                                    | -                | 5-7                               |
| Spinach, steaming                          | Perforated steam-<br>ing tray | 2      |                             | 100                                    | -                | 2-3                               |
| Unpeeled boiled pota-<br>toes, whole       | Perforated steam-<br>ing tray | 2      |                             | 120                                    | -                | 30-35                             |
| Long-grain rice, 1:1.5                     | Shallow cookware              | 1      |                             | 110                                    | -                | 12-17                             |
| Eggs, hard-boiled                          | Perforated steam-<br>ing tray | 2      |                             | 100                                    | -                | 9-12                              |

<sup>1</sup> Preheat the appliance.

<sup>2</sup> Turn the dish 2/3 of the way through the cooking time.

## Desserts

### Making crème caramel or crème brûlée

1. Use your preferred recipe to make the mixture for the crème.
2. Pour the mixture into moulds until the mixture is 2-3 cm deep.
3. Place the moulds into the perforated steaming tray (size XL).
4. Cover food that you would normally cook in a bain marie with film, e.g. cling film.
5. Use the recommended settings when configuring the appliance settings.
6. If the moulds are made from very thick material, extend the cooking time.

### Making yoghurt

1. Remove the accessories and shelves from the cooking compartment.
2. Heat 1 litre of whole milk (3.5% fat) to 90 °C on the hob and then leave it to cool down to 40 °C. It is sufficient to heat UHT milk to 40 °C.
3. Mix 150 g of chilled yoghurt into the milk.
4. Pour the mixture into small containers, e.g. cups or small jars.
5. Cover the containers with film, e.g. cling film.
6. Place the containers on the cooking compartment floor.
7. Use the recommended settings when configuring the appliance settings.
8. After making the yoghurt, leave it to cool in the refrigerator for at least 12 hours.

### Recommended settings for desserts and compote

| Food         | Accessory/cook-ware | Height | Type of heating<br>→ Page 8 | Temperature in °C | Steam in-tensity | Cooking time in mins |
|--------------|---------------------|--------|-----------------------------|-------------------|------------------|----------------------|
| Crème brûlée | Individual moulds   | 1      |                             | 85                | -                | 20-30                |

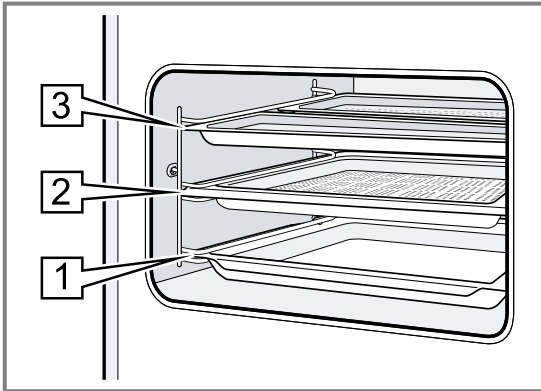
| Food          | Accessory/cook-ware | Height                    | Type of heating<br>→ Page 8 | Temperature in °C | Steam in-tensity | Cooking time in mins |
|---------------|---------------------|---------------------------|-----------------------------|-------------------|------------------|----------------------|
| Crème caramel | Individual moulds   | 1                         |                             | 85                | -                | 25-35                |
| Yoghurt       | Individual moulds   | Cooking compartment floor |                             | 35-40             | -                | 300-360              |

### Cooking whole menus with steam

Recommended settings and further information for cooking a whole menu at once.

#### Tips for cooking whole menus

- Use suitable accessories and ensure that you place them into the oven the right way round. → Page 9



- Shelf positions:
  - Steaming tray, size M: Shelf position 3
  - Steaming tray, size XL: Shelf position 2
  - Universal pan: Shelf position 1
- Place the food with the longest cooking time into the cooking compartment first. Add the rest of the food at the appropriate time. This means that all the food will be ready at the same time.
- Follow the cooking instructions for each of the different foods.
  - The heat-up time varies depending on the size and weight of the food.
  - The cooking time is unaffected by the quantity of food.
  - Use cookware that is steam-resistant.
  - Cover the soufflé with film, e.g. cling film.
  - Always insert the universal pan at level 1.
- The overall cooking time is extended when cooking whole meals with steam, as a little steam escapes each time the appliance door is opened and the cooking compartment has to be reheated.
- Wipe the cooking compartment and dry the condensate drip tray after using it to cook the meal.

### Recommended settings for cooking whole menus

| Food                              | Accessory/cook-ware  | Height | Type of heating<br>→ Page 8 | Temperature in °C | Steam in-tensity | Cooking time in mins |
|-----------------------------------|--|--------|-----------------------------|-------------------|------------------|----------------------|
| Peeled boiled potatoes, quartered | Perforated steaming tray, size M                                     | 3+3+2  |                             | 100               | -                | 1. 30                |
| Frozen salmon fillets             | +  |        |                             |                   |                  | 2. 20                |
| Broccoli                          | Unperforated steaming tray, size M<br>+<br>Steam containers, XL size |        |                             |                   |                  | 3. 10                |

## 28.7 Special cooking methods and other applications

Information and recommended settings for special cooking methods and other applications, e.g. slow cooking.

### Slow cooking

Cook prime cuts of meat slowly at a low temperature, e.g. tender cuts of beef, veal, lamb or poultry.

#### Slow cooking poultry or meat

**Note:** When using the slow cooking type of heating, you cannot delay the start of the programme by setting an end time.

**Requirement:** The cooking compartment is cold.

- Use fresh, clean, hygienic meat without bones.

- Place the cookware onto the wire rack at level 1 in the cooking compartment.
- Preheat the cooking compartment and cookware for approx. 15 minutes.
- Sear the meat on all sides on the hob at a very high heat.
- Immediately place the meat into the pre-warmed cookware in the cooking compartment. To ensure that the temperature in the cooking compartment remains constant, keep the cooking compartment door closed during slow cooking.

#### Tips for slow cooking






Here you will find tips for achieving good results when slow cooking food.



| Issue                                | Tip   |
|--------------------------------------|---|
| You want to slow cook a duck breast. | <ul style="list-style-type: none"> <li>■ Place the cold duck breast into a pan.</li> <li>■ Sear the skin side first.</li> <li>■ Slow cook the duck breast.</li> <li>■ After slow cooking, grill the duck breast for 3 to 5 minutes until crispy.</li> </ul> |

| Issue   | Tip  |
|---|--|
| You want to serve your slow-cooked meat as hot as possible. | <ul style="list-style-type: none"> <li>■ Preheat the serving plate.</li> <li>■ Make sure that the sauces that accompany the duck breast are very hot when you serve them.</li> </ul> |

### Recommended settings for slow cooking

| Food                                 | Accessory/<br>cookware | Height | Searing<br>time in<br>mins | Type of<br>heating<br>→ Page 8  | Temperat-<br>ure in °C | Steam in-<br>tensity | Cooking time<br>in mins |
|--------------------------------------|------------------------|--------|----------------------------|---|------------------------|----------------------|-------------------------|
| Duck breast, medium rare, 300 g each | Uncovered cookware     | 1      | 6-8                        |  | 95 <sup>1</sup>        | -                    | 45-60                   |
| Fillet of pork, whole                | Uncovered cookware     | 1      | 4-6                        |  | 85 <sup>1</sup>        | -                    | 45-70                   |
| Fillet of beef, 1 kg                 | Uncovered cookware     | 1      | 4-6                        |  | 85 <sup>1</sup>        | -                    | 90-120                  |
| Veal medallions, 4 cm thick          | Uncovered cookware     | 1      | 4                          |  | 80 <sup>1</sup>        | -                    | 40-60                   |
| Saddle of lamb, boned, 200 g each    | Uncovered cookware     | 1      | 4                          |  | 85 <sup>1</sup>        | -                    | 30-45                   |

<sup>1</sup> Preheat the appliance.

### Sterilisation and hygiene

You can sterilise heat-resistant cookware or baby bottles that are in perfect condition. The process is equivalent to normal sterilisation by boiling.

#### Sterilising bottles


1. Clean the bottles with a bottle brush immediately after use.
2. Wash the bottles in the dishwasher.
3. Place the bottles into the steaming tray (size XL) in such a way that they do not touch one another.
4. Start the "Sterilise" programme.
5. Dry the bottles with a clean cloth.
6. Wipe down the appliance interior after sterilising.

### Useful information on sterilising

Please take note of the following information if you are sterilising cookware.

- You can use your appliance to prepare jam jars or preserving jars and their lids.
- You can perform an additional processing step at the end in order to improve the jam's shelf life.
- Sterilise only heat-resistant cookware that is suitable for cooking with steam.
- Only use clean jars and lids that are in perfect condition.
- Ideally, you should wash the cookware in the dishwasher before sterilising it.

### Recommended settings for hygiene

| Food                     | Accessory/cook-<br>ware       | Height | Type of<br>heating<br>→ Page 8  | Temperature in<br>°C | Steam in-<br>tensity | Cooking time<br>in mins |
|--------------------------|-------------------------------|--------|---|----------------------|----------------------|-------------------------|
| Sterilise clean cookware | Perforated steam-<br>ing tray | 1      |  | 100                  | -                    | 15-20                   |

### Proving dough



Yeast dough proves more quickly in your appliance than at room temperature and does not dry out.

**Requirement:** The cooking compartment is cold.

1. Slide the wire rack into the cooking compartment.
2. Place the dough onto the wire rack in a bowl.  
Do not cover the bowl.

3. Use the recommended settings when configuring the appliance settings.  
The values are guide values only. The temperature and proving time are dependent on the type and quantity of the ingredients.
4. Do not open the appliance door while the dough is proving, otherwise moisture will escape.
5. Wipe the cooking compartment dry before baking in it.

## Recommended settings for proving dough

| Food                        | Accessory/cook-ware | Height | Type of heating<br>→ <b>Page 8</b>  | Temperature in °C | Steam in-tensity | Cooking time in mins |
|-----------------------------|---------------------|--------|---|-------------------|------------------|----------------------|
| Rich dough, e.g. pan-ettone | Bowl on wire rack   | 1      |  | 40-45             | -                | 40-90                |
| White bread                 | Bowl on wire rack   | 1      |  | 35-40             | -                | 30-40                |



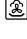
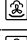
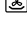
### Reheating

Gently warm up food with added steam. The food tastes and looks as though it has been freshly cooked. You can even warm and crisp up baked goods from the day before.

#### Tips for reheating food

- Use uncovered, heat-resistant cookware that is suitable for cooking with steam.
- Use wide, shallow cookware. Cold cookware extends the reheating time.
- Place the cookware on the wire rack.
- Place food that you are not reheating in cookware (e.g. bread rolls) directly onto the wire rack at level 1.
- Do not cover the food.
- Do not open the cooking compartment door while the food is being reheated, otherwise large amounts of steam will escape.
- Wipe the cooking compartment and dry the condensate drip tray after using it to reheat food.

## Recommended settings for heating and reheating

| Food                                 | Accessory/cook-ware | Height | Type of heating<br>→ <b>Page 8</b>  | Temperature in °C    | Steam in-tensity | Cooking time in mins |
|--------------------------------------|---------------------|--------|---|----------------------|------------------|----------------------|
| Plated meal, chilled, 1 portion      | Uncovered cook-ware | 1      |    | 120-130              | -                | 15-25                |
| Pizza, cooked, chilled               | Wire rack           | 1      |  | 170-180 <sup>1</sup> | -                | 5-15                 |
| Bread rolls, baguette, baked         | Wire rack           | 1      |  | 150-160 <sup>1</sup> | -                | 10-20                |
| Pizza, cooked, frozen                | Wire rack           | 1      |  | 170-180 <sup>1</sup> | -                | 5-15                 |
| Bread rolls, baguette, baked, frozen | Wire rack           | 1      |  | 160-170 <sup>1</sup> | -                | 10-20                |

<sup>1</sup> Preheat the appliance.

### Keeping food warm

#### Tips for keeping food warm

- Using the "Keep warm" heating function prevents condensation from forming. You will not have to wipe down the cooking compartment.
- Do not cover the food.
- Do not keep food warming for longer than 2 hours.
- Be aware that some types of food will actually continue cooking when you are keeping them warm in the oven.

The different added steam levels are suitable for keeping the following foods warm:

- Level 1: Joints and briefly roasted food
- Level 2: Bakes and side dishes
- Level 3: Stews and soups

## 28.8 Test dishes










The information in this section is provided for test institutes to facilitate testing of the appliance in accordance with EN 60350-1.

### Baking

- The setting values apply to food that is placed into a cold cooking compartment.
- Take note of the information on preheating in the recommended settings tables. These setting values apply without rapid heat-up.
- For baking, use the lower of the temperatures indicated first.
- Items that are placed in the appliance on baking trays or in baking tins/dishes at the same time will not necessarily be ready at the same time.
- Shelf positions when baking on 2 levels:
  - Universal pan: Shelf position 3
  - Baking tray: Shelf position 1

- Hot water sponge cake
  - When baking on 2 levels, place the springform tins at diagonally opposite corners of the wire racks.
- As an alternative to a pan support, you can also use the Air Fry baking tray offered by us.

### Recommended settings for baking

| Food                  | Accessory/cook-ware                 | Height | Type of heating<br>→ Page 8   | Temperature in °C                                   | Steam intensity | Cooking time in mins            |
|-----------------------|-------------------------------------|--------|---|---|-----------------|---------------------------------|
| Shortbread            | Baking tray                         | 1      |  | 150-160 <sup>1</sup>                                | -               | 25-40                           |
| Shortbread            | Baking tray                         | 1      |  | 140-150 <sup>1</sup>                                | -               | 25-40                           |
| Shortbread, 2 levels  | Universal pan<br>+<br>Baking tray   | 3+1    |  | 140-150 <sup>1</sup>                                | -               | 30-40                           |
| Small cakes           | Baking tray                         | 1      |  | 160 <sup>1</sup>                                    | -               | 25-35                           |
| Small cakes           | Baking tray                         | 1      |  | 150 <sup>1</sup>                                    | -               | 25-35                           |
| Small cakes, 2 levels | Universal pan<br>+<br>Baking tray   | 3+1    |  | 150 <sup>1</sup>                                    | -               | 25-35                           |
| Hot water sponge cake | Springform cake tin, diameter 26 cm | 1      |  | 160-170 <sup>2</sup>                                | -               | 25-35                           |
| Hot water sponge cake | Springform cake tin, diameter 26 cm | 1      |  | 160-170 <sup>2</sup>                                | -               | 25-35                           |
| Hot water sponge cake | Springform cake tin, diameter 26 cm | 1      |  | <b>1.</b> 150-160<br><b>2.</b> 150-160 <sup>2</sup> | <b>1</b><br>Off | <b>1.</b> 10<br><b>2.</b> 20-30 |

<sup>1</sup> Preheat the appliance for five minutes. Do not use the rapid heating function.

<sup>2</sup> Preheat the appliance. Do not use the rapid heating function.

### Steaming

Slide the universal pan into the cooking compartment below the perforated steaming tray (size XL) if instructed to do so in the recommended settings table.

#### Shelf positions

Shelf positions when steaming on one level:




- Use a maximum of 2.5 kg.

- Perforated steaming tray, size XL: Shelf position 2

Shelf positions when steaming on two levels:

- Use a maximum of 1.8 kg per level.
- Perforated steaming tray, size XL: Shelf position 3
- Perforated steaming tray, size XL: Shelf position 2

### Recommended settings for steaming

| Food                           | Accessory/cook-ware                                    | Height | Type of heating<br>→ Page 8   | Temperature in °C | Steam intensity | Cooking time in mins |
|--------------------------------|--|--------|---|-------------------|-----------------|----------------------|
| Peas, frozen, two containers   | x 2<br>Steam containers, XL size<br>+<br>Universal pan | 3+2+1  |  | 100               | -               | - <sup>1</sup>       |
| Broccoli, fresh, 300 g         | Steam containers, XL size                              | 2      |  | 100 <sup>2</sup>  | -               | 8-9 <sup>3</sup>     |
| Broccoli, fresh, one container | Steam containers, XL size                              | 2      |  | 100 <sup>2</sup>  | -               | 10-11 <sup>3</sup>   |


<sup>1</sup> The test is over when 85 °C is reached at the coldest spot (see IEC 60350-1).

<sup>2</sup> Preheat the appliance.

<sup>3</sup> A comparable degree of cooking between the reference sample and the main sample is achieved if the reference sample is cooked for 5 minutes (produced as described in IEC 60350-1).

## Grilling

### Recommended settings for grilling

| Food           | Accessory/cook-ware | Height | Type of heating<br>→ <i>Page 8</i>  | Temperature in °C/grill setting | Steam in-tensity | Cooking time in mins |
|----------------|---------------------|--------|---|---------------------------------|------------------|----------------------|
| Toasting bread | Wire rack           | 3      |  | 3 <sup>1</sup>                  | -                | 3-6                  |

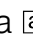

<sup>1</sup> Do not preheat the appliance.

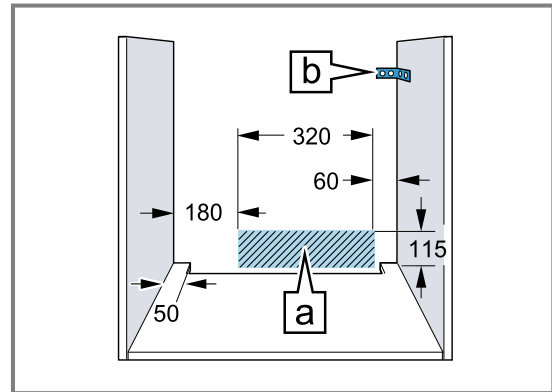
## 29 Installation instructions



### 29.1 General installation instructions

Follow these instructions before you start with the installation of the appliance.

- The safe operation of this appliance can only be guaranteed if it has been installed to a professional standard in accordance with these installation instructions. The installer shall be liable for damages incurred as a result of incorrect installation.
- Check the appliance for damage after unpacking it. Do not connect the appliance if it has been damaged in transit.
- Before starting up the appliance, remove any packaging material and adhesive film from the cooking compartment and the door.
- Proceed in accordance with the installation sheets for installing accessories.
- Fitted units must be heat-resistant up to 95 °C, and adjacent unit fronts up to 70 °C.
- Do not install the appliance behind a decorative door or the door of a kitchen unit. There is a risk of overheating.
- Cut-out work on the units should be carried out before installing the appliance. Remove any shavings. Otherwise, the correct operation of electrical components may be adversely affected.
- The mains socket for the appliance must either be located in the hatched area  or outside of the area where the appliance is installed.  
Any unsecured units must be secured to the wall using a standard bracket .



- For appliances that have a hinged switch panel, make sure that the switch panel does not hit adjacent kitchen units when you open it.
- Wear protective gloves so that you do not cut yourself. Parts that are accessible during installation may have sharp edges.
- Dimensions of the figures in mm.

### **WARNING – Risk of fire!**

It is dangerous to use an extended power cord and non-approved adapters.

- ▶ Do not use multiple socket strips.
- ▶ Only use extension cables that are certified, have a minimum cross section of 1.5 mm<sup>2</sup> and comply with the applicable national safety requirements.
- ▶ If the power cord is too short, contact customer service.
- ▶ Only use adapters approved by the manufacturer.

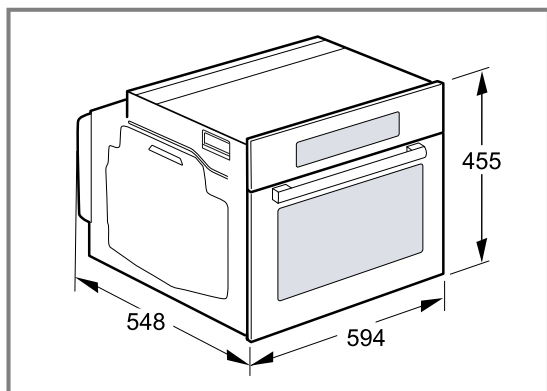
### **ATTENTION!**

Carrying the appliance by the door handle could break it. The door handle cannot support the weight of the appliance.

- ▶ Do not carry or hold the appliance by the door handle.

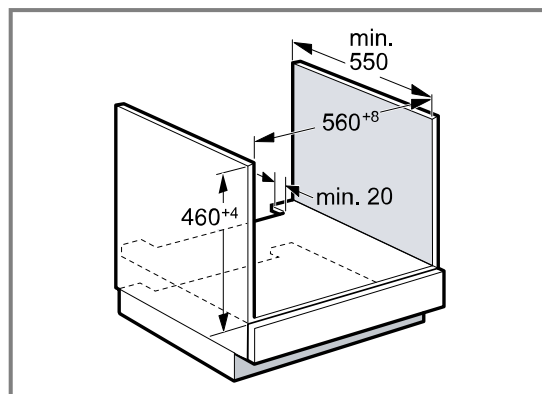
## 29.2 Appliance dimensions

You will find the dimensions of the appliance here



## 29.3 Installation below a worktop

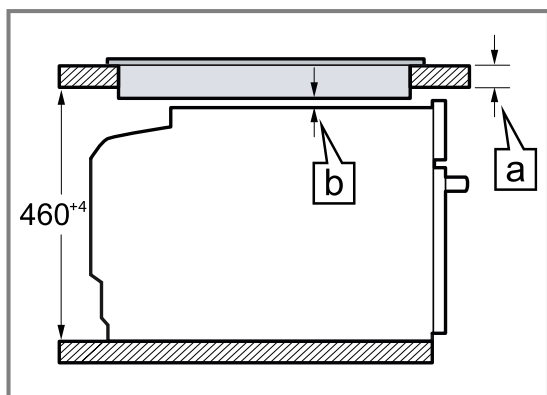
Observe the installation dimensions and the installation instructions when installing below a worktop.



- To ventilate the appliance, the intermediate floor must have a ventilation cut-out.
- The worktop must be secured to the fitted unit.
- Observe any available installation instructions for the hob.
- Observe different national installation instructions for the hob.

## 29.4 Installation underneath a hob

If the appliance is installed under a hob, the following minimum dimensions must be adhered to (including substructure, if applicable).



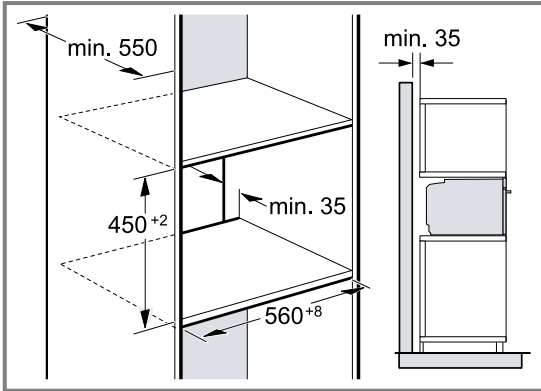
The minimum worktop thickness  $\boxed{a}$  is based on the required minimum clearance  $\boxed{b}$ .

| Hob type                   | a raised in mm | a flush in mm | b in mm        |
|----------------------------|----------------|---------------|----------------|
| Induction hob              | 42             | 43            | 5              |
| Full-surface induction hob | 52             | 53            | 5              |
| Gas hob                    | 32             | 43            | 5 <sup>1</sup> |
| Electric hob               | 32             | 35            | 2              |

<sup>1</sup> Observe different national installation instructions for the hob.

## 29.5 Installation in a tall unit

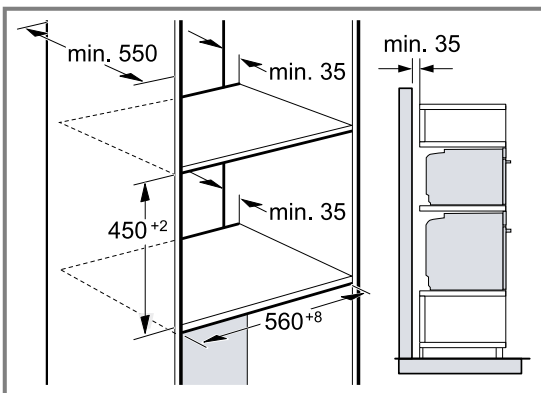
Observe the installation dimensions and the installation instructions when installing in a tall unit.



- To ventilate the appliance, the intermediate floors must have a ventilation cut-out.
- If the tall unit has another back panel in addition to the element back panels, this must be removed.
- Only fit the appliance up to a height which allows accessories to be easily removed.

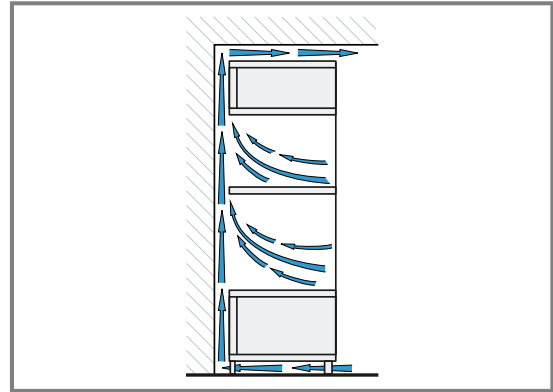
## 29.6 Installing two appliances on top of each other

Your appliance can also be installed above or below another appliance. Observe the installation dimensions and the installation instructions when installing appliances on top of each other.



- To ventilate the appliances, the intermediate floor must have a ventilation cut-out.
- To ensure sufficient ventilation of the two appliances, there must be a ventilation opening of at least 200 cm<sup>2</sup> in the base area. To do this, trim the base panel or fit a ventilation grille.

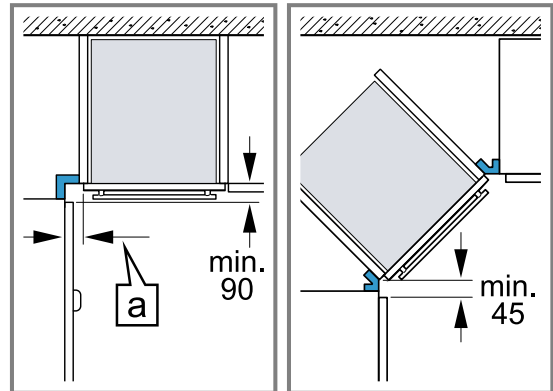
- Ensure that air exchange is guaranteed in accordance with the diagram.



- Only fit appliances up to a height that allows accessories to be easily removed.

## 29.7 Corner installation

Observe the installation dimensions and the installation instructions when installing in a corner.



- To ensure that the appliance door can be opened, you must take the minimum dimensions into consideration when installing in a corner. The dimension **a** is dependent on the thickness of the unit front and the handle.

## 29.8 Electrical connection

In order to safely connect the appliance to the electrical system, follow these instructions.

- The appliance corresponds to protection class I and must only be operated with a protective earth connection.
- The fuse protection must correspond to the power rating specified on the appliance's rating plate and to the local regulations.
- The appliance must be disconnected from the power supply whenever installation work is being carried out.
- The appliance must only be connected using the power cable provided.
- The power cable must be plugged in at the rear of the appliance until you hear a clicking sound. A 3 m power cable can be obtained from the after-sales service.
- The power cable must only be replaced with a cable from the original manufacturer. This is available from after-sales service.

- Contact protection must be guaranteed by the installation.
- If the display on the appliance remains dark, it has not been connected correctly. Disconnect the appliance from the mains and check the connection.

### Electrically connect the appliance with the protective contact plug

**Note:** The appliance must only be connected to a protective contact socket that has been correctly installed.

- ▶ Insert the plug into the protective contact socket. When the appliance is installed, the mains plug of the power cord must be freely accessible. If free access is not possible, an isolating switch must be integrated into the permanent electrical installation according to the installation regulations.

### Electrically connecting an appliance without a protective contact plug

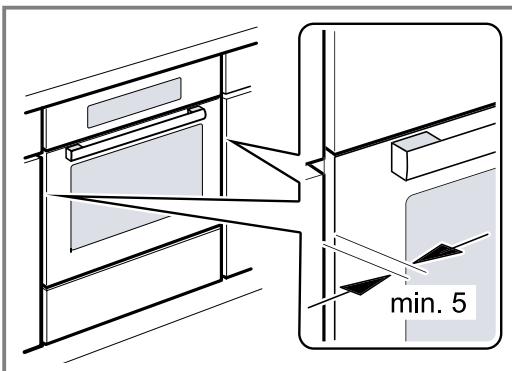
**Note:** Only licensed specialists may connect the appliance. Damage caused by incorrect connection is not covered under the warranty.

An isolating switch must be integrated into the permanent electrical installation according to the installation regulations.

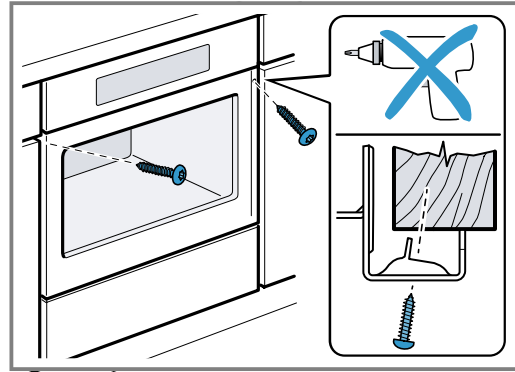
1. Identify the phase and neutral conductors in the socket.  
The appliance may be damaged if it is not connected correctly.
2. Connect the hob in accordance with the connection diagram.  
See the rating plate for the voltage.
3. Connect the wires of the mains power cable according to the colour coding:
  - Green/yellow = Protective conductor ⊕
  - Blue = Neutral conductor
  - Brown = Phase (external conductor)

## 29.9 Installing the appliance

1. Slide the appliance in fully and centre it.



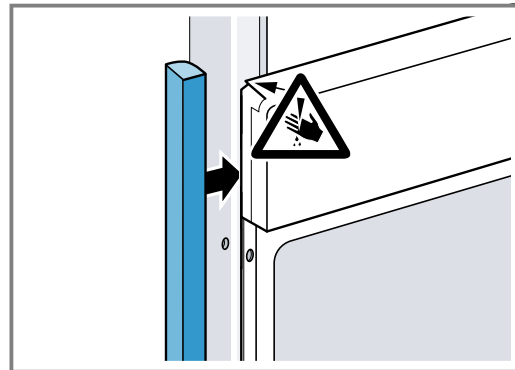
2. Screw the appliance into place.



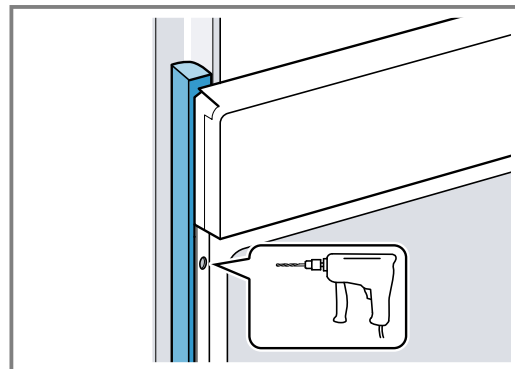
**Note:** The gap between the worktop and the appliance must not be closed by additional battens. Thermal insulation strips must not be fitted to the side panels of the surround unit.

## 29.10 For handleless kitchens with vertical bar handle strips:

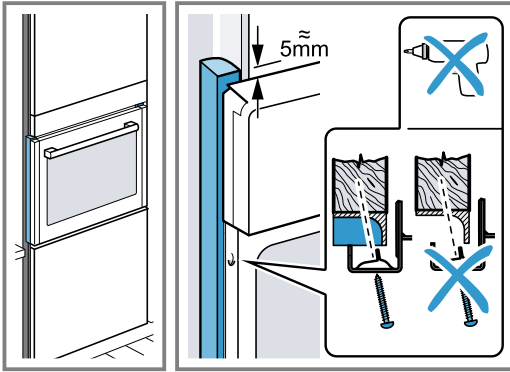
1. Attach a suitable filling piece in order to cover any sharp edges and to guarantee a safe installation.



2. Pre-drill aluminium profiles to establish a screw connection.



3. Secure the appliance using a suitable screw.



### 29.11 Removing the appliance

1. Disconnect the appliance from the power supply.
2. Undo the fastening screws.
3. Lift the appliance slightly and pull it out completely.









EN Manufactured by BSH Hausgeräte GmbH under the trademark licence of Siemens AG

Valid within Great Britain:  
Imported to Great Britain by  
BSH Home Appliances Ltd.  
Grand Union House  
Old Wolverton Road  
Wolverton, Milton Keynes  
MK12 5PT  
United Kingdom

**BSH Hausgeräte GmbH**  
Carl-Wery-Straße 34  
81739 München, GERMANY  
[siemens-home.bsh-group.com](http://siemens-home.bsh-group.com)



9001647872

(030325)

en