



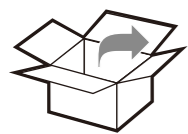
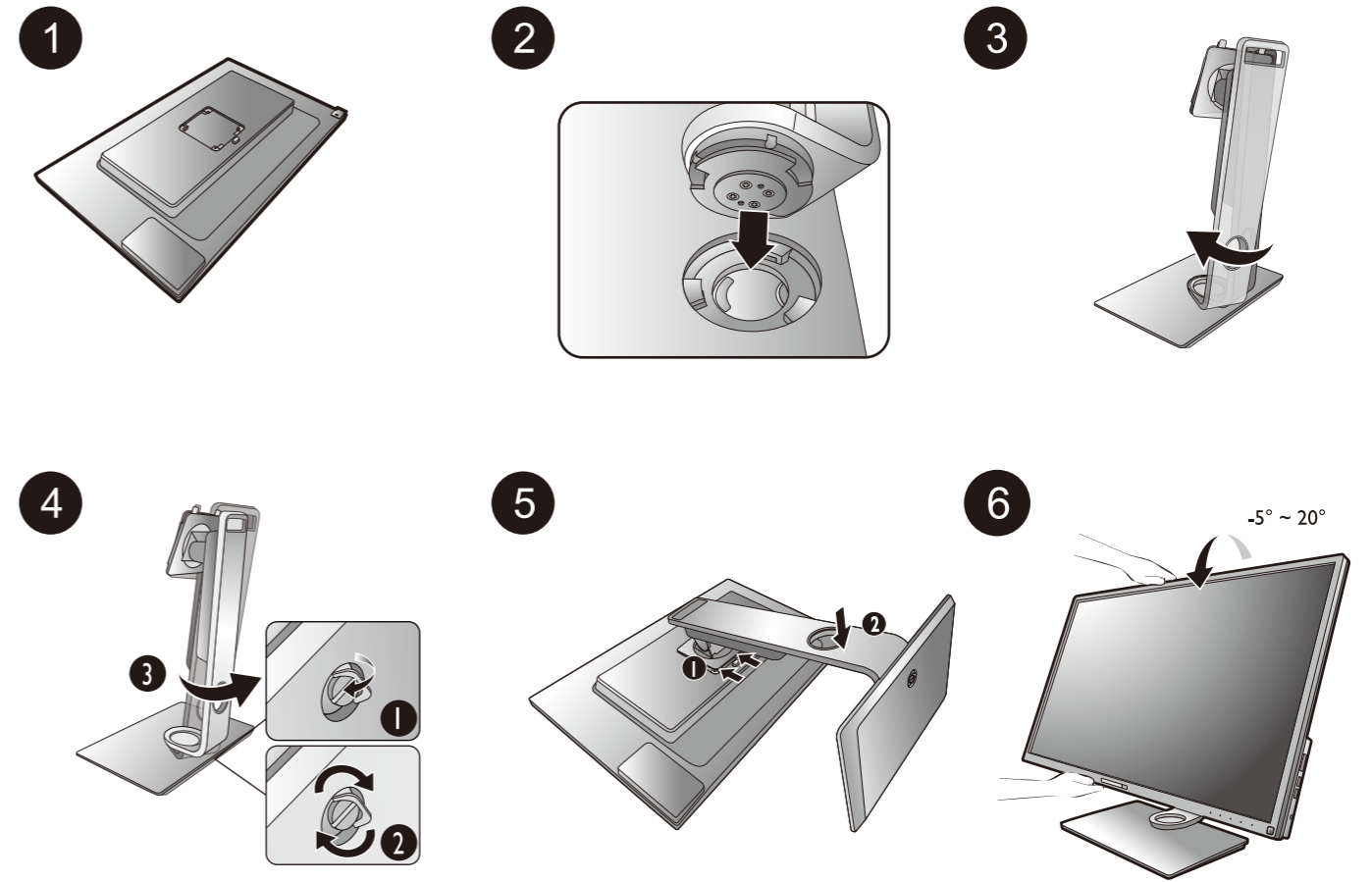
# LCD Monitor Quick Start Guide

DesignVue Designer Monitor | PD Series



DN: PD320-EQ-V0

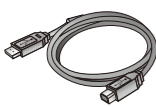
© 2020 BenQ Corporation. All rights reserved. Rights of modification reserved.



Hotkey Puck



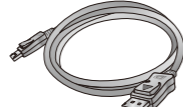
HDMI



USB



DP to mini-DP



DP (optional)

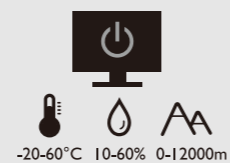
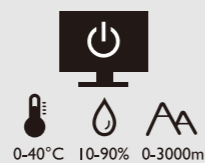
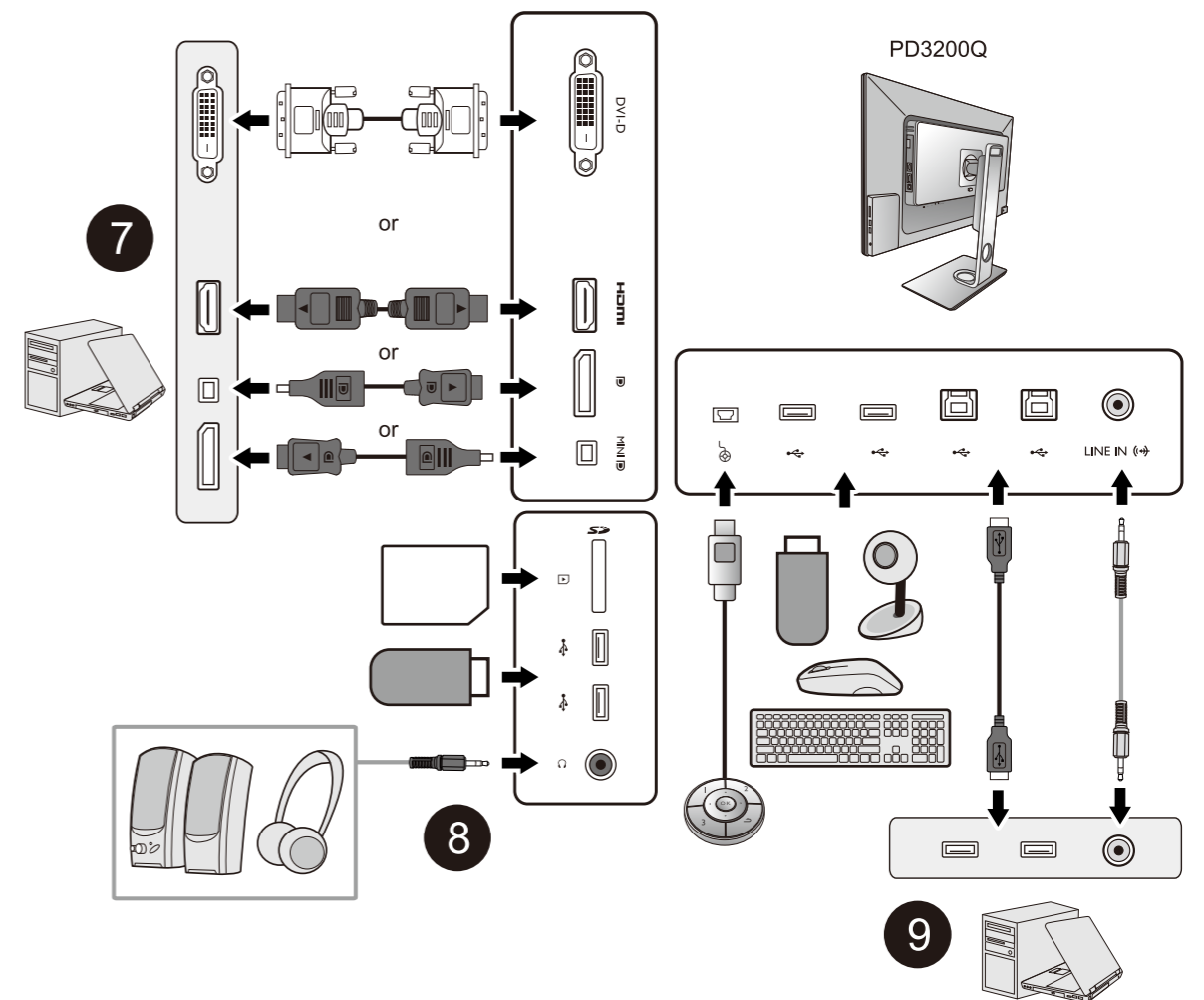


Audio (optional)



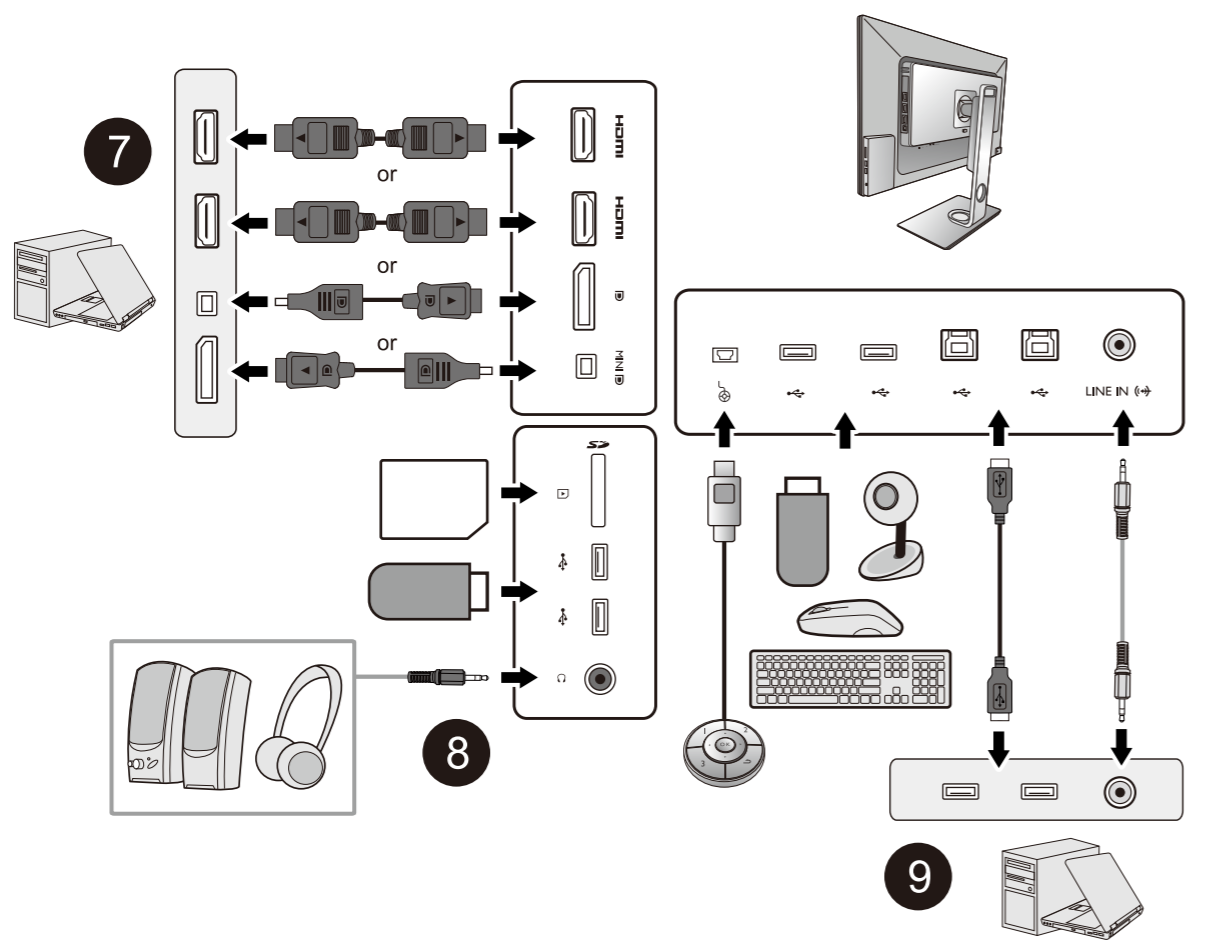
DVI-Dual Link (optional)

- 7 Video
- 8 Audio
- 9 USB

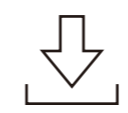
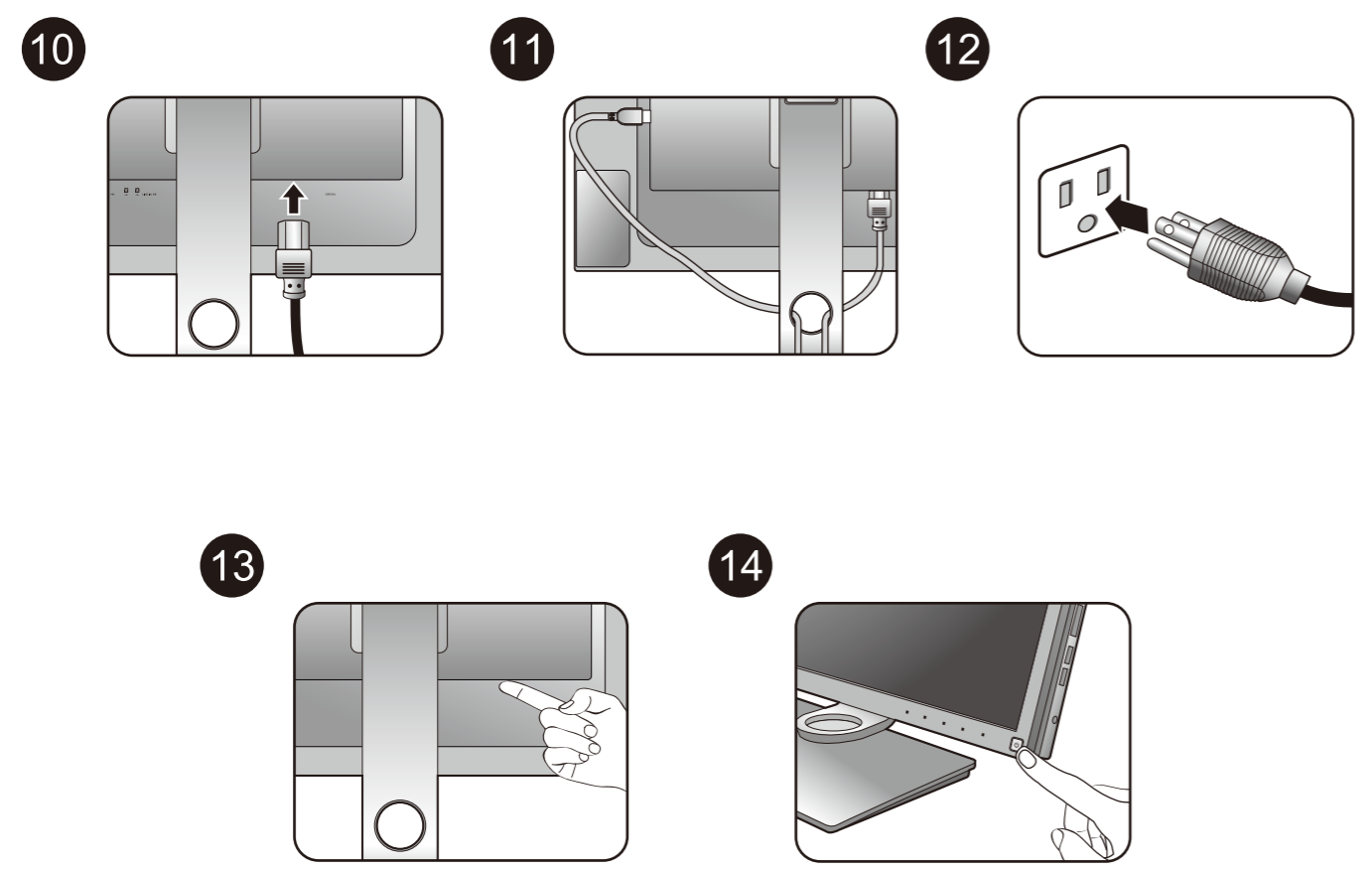


- 7 Video
- 8 Audio
- 9 USB

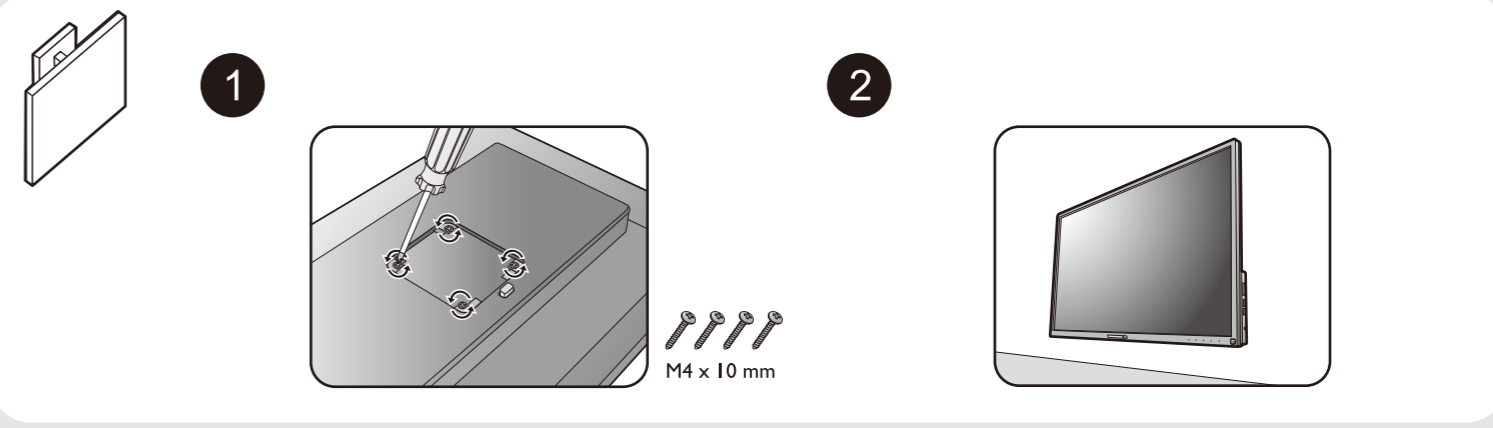
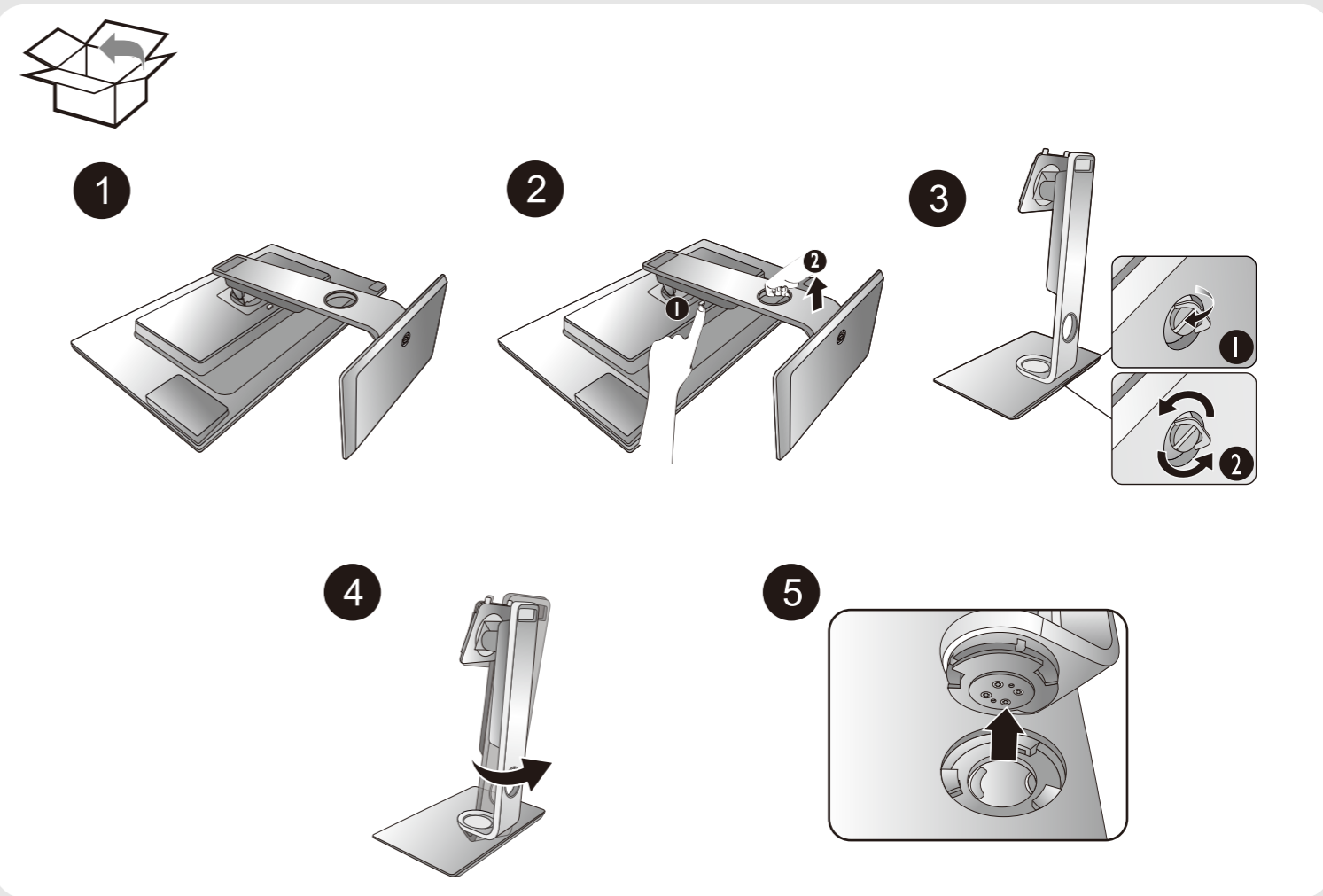
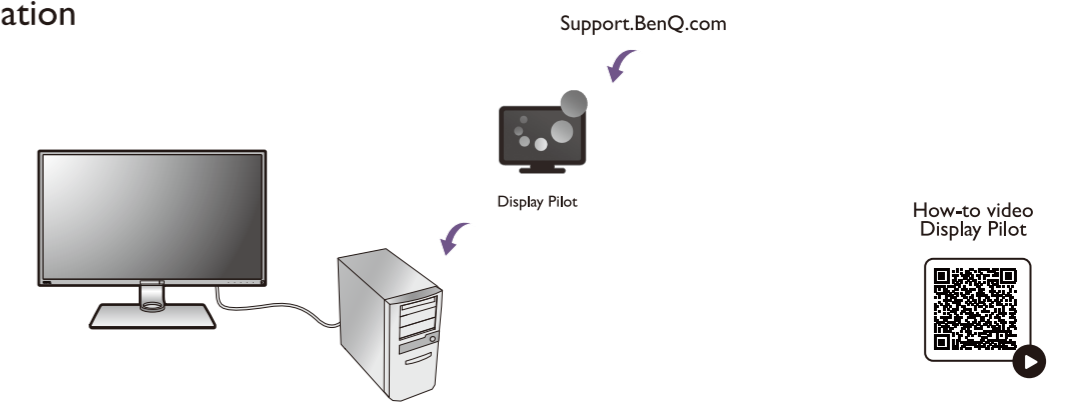
PD3200U



How-to video  
Hotkey Puck



Software installation  
Software: Display Pilot



Support.BenQ.com

- Online Manual
- Product Support
- Software Download

- CAD / CAM Mode
- Animation Mode
- DualView
- KVM Switch