

SAMSUNG

User guide

Gaming Monitor

S57CG95*N S49CG93*S S49DG91*S S49DG93*S

The colour and the appearance may differ depending on the product, and the specifications are subject to change without prior notice to improve the performance.

The contents of this manual are subject to change without notice to improve quality.

© Samsung

Samsung owns the copyright for this manual.

Use or reproduction of this manual in parts or entirety without the authorization of Samsung is prohibited.

Trademarks other than that of Samsung are owned by their respective owners.

An administration fee may be charged in the following situations:

- (a) An engineer is called out at your request, but it is found that the product has no defect (i.e., where the user manual has not been read).
- (b) You bring the unit to a repair centre, but it is found that the product has no defect (i.e., where the user manual has not been read).

You will be informed of the administration fee amount before a technician visits.

Table of contents

Before Using the Product

| | |
|------------------------------------|---|
| Safety Precautions | 4 |
| Electricity and Safety | 4 |
| Installation | 5 |
| Operation | 6 |
| Cleaning | 8 |
| Correct posture to use the product | 8 |

Preparations

| | |
|---------------------------------------|----|
| Installation | 9 |
| Attaching the Stand | 9 |
| Precautions for moving the product | 12 |
| Checking the space around the product | 13 |
| Adjusting the Product Tilt and Height | 14 |
| Attaching the BRACKET WALL | 16 |
| Control Panel | 17 |

Connecting and Using a Source Device

| | |
|-----------------------------------------------------|----|
| Read below before connecting the product. | 18 |
| Ports | 19 |
| Connecting and Using a PC | 20 |
| Connection Using the HDMI Cable | 20 |
| Connection Using an DP Cable | 20 |
| Connecting to headphones or earphones | 20 |
| Connection Using the MICRO HDMI Cable | 20 |
| Connecting the Product to a PC as a USB HUB | 21 |
| Connecting the Power | 22 |
| Tidying Up the Cables | 23 |
| Setting Optimum Resolution | 24 |
| Using the Panel Care feature | 24 |
| Precautions for preventing image retention | 24 |
| Protection of the Product screen through Panel Care | 24 |

Menu

| | |
|------------------|----|
| Game | 25 |
| Picture | 29 |
| PIP/PBP | 35 |
| OnScreen Display | 37 |
| System | 37 |
| Support | 41 |

Installing the Software

| | |
|-------------------------------------------------|----|
| Easy Setting Box | 42 |
| Restrictions and Problems with the Installation | 42 |
| System Requirements | 42 |
| Driver Installation | 42 |

Table of contents

Troubleshooting Guide

| | |
|----------------------------------------------------------------|----|
| Requirements Before Contacting Samsung Customer Service Centre | 43 |
| Product diagnosis (Screen issue) | 43 |
| Checking the Resolution and Frequency | 43 |
| Check the following. | 43 |

| | |
|-------|----|
| Q & A | 46 |
|-------|----|

Specifications

| | |
|---------|----|
| General | 47 |
|---------|----|

| | |
|----------------------------|----|
| Standard Signal Mode Table | 49 |
|----------------------------|----|

Appendix

| | |
|--------------------------------------------------------|----|
| Responsibility for the Pay Service (Cost to Customers) | 55 |
| Not a product defect | 55 |
| A Product damage caused by customer's fault | 55 |
| Others | 55 |

| | |
|----------------------------------|----|
| FreeSync (for AMD graphics card) | 56 |
|----------------------------------|----|

| | |
|------------------------------------------|----|
| Adaptive-Sync (for NVIDIA graphics card) | 57 |
|------------------------------------------|----|

Before Using the Product

Safety Precautions

Warning

A serious or fatal injury may result if instructions are not followed.







Caution

Personal injury or damage to properties may result if instructions are not followed.

CAUTION

RISK OF ELECTRIC SHOCK. DO NOT OPEN.

CAUTION: TO REDUCE THE RISK OF ELECTRIC SHOCK, DO NOT REMOVE COVER (OR BACK). THERE ARE NO USER SERVICEABLE PARTS INSIDE. REFER ALL SERVICING TO QUALIFIED PERSONNEL.

| | | | |
|-------------------------------------------------------------------------------------|--------------------------------------------------------------------------------------------------------------------------------------------------------------------------------------------------------------------------------------------------------|-------------------------------------------------------------------------------------|------------------------------------------------------------------------------------------------------------------------------------------|
|  | This symbol indicates that high voltage is present inside. It is dangerous to make any kind of contact with any internal part of this product. |  | AC voltage: Rated voltage marked with this symbol is AC voltage. |
|  | This symbol indicates that this product has included important literature concerning operation and maintenance. |  | DC voltage: Rated voltage marked with this symbol is DC voltage. |
|  | Class II product: This symbol indicates that a safety connection to electrical earth (ground) is not required. If this symbol is not present on a product with a mains lead, the product MUST have a reliable connection to protective earth (ground). |  | Caution. Consult instructions for use: This symbol instructs the user to consult the user manual for further safety related information. |

Electricity and Safety

Warning

- Do not use a damaged power cord or plug, or a loose power socket.
- Do not use multiple products with a single power socket.
- Do not touch the power plug with wet hands.
- Insert the power plug all the way in so it is not loose.
- Connect the power plug to a grounded power socket (type 1 insulated devices only).
- Do not bend or pull the power cord with force. Be careful not to leave the power cord under a heavy object.
- Do not place the power cord or product near heat sources.
- Clean any dust around the pins of the power plug or the power socket with a dry cloth.

Caution

- Do not disconnect the power cord while the product is being used.
- Only use the power cord provided with your product by Samsung. Do not use the power cord with other products.
- Keep the power socket where the power cord is connected unobstructed.
 - The power cord must be disconnected to cut off power to the product when an issue occurs.
- Hold the plug when disconnecting the power cord from the power socket.

Installation

Warning

- DO NOT PLACE CANDLES, INSECT REPELLANTS OR CIGARETTES ON TOP OF THE PRODUCT. DO NOT INSTALL THE PRODUCT NEAR HEAT SOURCES.
- Do not install the product in poorly ventilated spaces such as a bookcase or closet.
- Install the product at least 10cm away from the wall to allow ventilation.
- Keep the plastic packaging out of the reach of children.
 - Children may suffocate.
- Do not install the product on an unstable or vibrating surface (insecure shelf, sloped surface, etc.)
 - The product may fall and become damaged or cause an injury.
 - Using the product in an area with excess vibration may damage the product or cause a fire.
- Do not install the product in a vehicle or a place exposed to dust, moisture (water drips, etc.), oil, or smoke.
- Do not expose the product to direct sunlight, heat, or a hot object such as a stove.
 - The product lifespan may be reduced or a fire may result.
- Do not install the product within the reach of young children.
 - The product may fall and injure children.
- Edible oil, such as soybean oil, can damage or deform the product. Do not install the product in a kitchen or near a kitchen counter.

Caution

- Do not drop the product while moving.
- Do not set down the product on its front.
- When installing the product on a cabinet or shelf, make sure that the bottom edge of the front of the product is not protruding.
 - The product may fall and become damaged or cause an injury.
 - Install the product only on cabinets or shelves of the right size.
- Set down the product gently.
 - Product failure or personal injury may result.
- Installing the product in an unusual place (a place exposed to a lot of fine dust, chemical substances, extreme temperatures or a significant presence of moisture, or a place where the product will operate continuously for an extended period of time) may seriously affect its performance.
 - Be sure to consult Samsung Customer Service Centre if you want to install the product at such a place.
- Before assembling the product, place the product down on a flat and stable surface so that the screen is facing downwards.
 - The product is curved. Placing pressure on the product when on a flat surface may damage the product. When the product is on the ground facing up or down, do not put pressure on it.
- In the same series, the colour can vary depending on the size.

Operation

Warning

- There is a high voltage inside the product. Never disassemble, repair or modify the product yourself.
 - Contact Samsung Customer Service Centre for repairs.
- To move the product, first disconnect all the cables from it, including the power cable.
- If the product generates abnormal sounds, a burning smell or smoke, disconnect the power cord immediately and contact Samsung Customer Service Centre.
- Do not let children hang from the product or climb on top of it.
 - Children may become injured or seriously harmed.
- If the product is dropped or the outer case is damaged, turn off the power and disconnect the power cord. Then contact Samsung Customer Service Centre.
 - Continued use can result in a fire or electric shock.
- Do not leave heavy objects or items that children like (toys, sweets, etc.) on top of the product.
 - The product or heavy objects may fall as children try to reach for the toys or sweets resulting in a serious injury.
- During a lightning or thunderstorm, power off the product and remove the power cable.
- Do not drop objects on the product or apply impact.
- Do not move the product by pulling the power cord or any cable.
- If a gas leakage is found, do not touch the product or power plug. Also, ventilate the area immediately.
- Do not lift or move the product by pulling the power cord or any cable.
- Do not use or keep combustible spray or an inflammable substance near the product.
- Ensure the vents are not blocked by tablecloths or curtains.
 - An increased internal temperature may cause a fire.
- Do not insert metallic objects (chopsticks, coins, hairpins, etc) or objects that burn easily (paper, matches, etc) into the product (through the vent or input/output ports, etc).
 - Be sure to power off the product and disconnect the power cord when water or other foreign substances have entered the product. Then contact Samsung Customer Service Centre.
- Do not place objects containing liquid (vases, pots, bottles, etc) or metallic objects on top of the product.
 - Be sure to power off the product and disconnect the power cord when water or other foreign substances have entered the product. Then contact Samsung Customer Service Centre.
- Do not use liquid fumigators containing chemicals, such as mosquito repellent or air freshener, around the product.
 - If steam comes in contact with the product surface or enters the product, it may cause stains or malfunction.

Caution

- Leaving the screen fixed on a stationary image for an extended period of time may cause afterimage burn-in or defective pixels.
 - Set the screen to power-saving mode or moving-picture screen saver when not using the product for an extended period of time.
- Disconnect the power cord from the power socket if you do not plan on using the product for an extended period of time (vacation, etc).
 - Dust accumulation combined with heat can cause a fire, electric shock or electric leakage.
- Use the product at the recommended resolution and frequency.
 - Your eyesight may deteriorate.
- Do not put AC/DC adapters together.
- Remove the plastic bag from the AC/DC adapter before you use it.
- Do not let water enter the AC/DC adapter device or get the device wet.
 - An electric shock or fire may result.
 - Avoid using the product outdoors where it can be exposed to rain or snow.
 - Be careful not to get the AC/DC adapter wet when you wash the floor.
- Do not put the AC/DC adapter near to any heating apparatus.
 - Otherwise, a fire may result.
- Keep the AC/DC adapter in a well-ventilated area.
- If you place the AC/DC power adapter hanging with the cord input facing upwards, water or other foreign substances could enter the Adapter and cause the Adapter to malfunction.
Make sure to rest the AC/DC power adapter flat on a table or the floor.

- Do not hold the product upside-down or move it by holding the stand.
 - The product may fall and become damaged or cause an injury.
- Looking at the screen too close for an extended period of time can deteriorate your eyesight.
- Do not use humidifiers or stoves around the product.
- Rest your eyes for more than 5 minutes or look at distance objects for every 1 hour of product use.
- Do not touch the screen when the product has been turned on for an extended period of time as it will become hot.
- Store small accessories out of the reach of children.
- Exercise caution when adjusting the product angle.
 - Your hand or finger may get stuck and injured.
 - Tilting the product at an excessive angle may cause the product to fall and an injury may result.
- Do not place heavy objects on the product.
 - Product failure or personal injury may result.
- When using headphones or earphones, do not turn the volume too high.
 - Having the sound too loud may damage your hearing.

Cleaning

High-glossy models can develop white stains on the surface if an ultrasonic wave humidifier is used nearby.

— Contact your nearest Samsung Customer Service Centre if you want to clean the inside of the product (Service fee will be charged.)

Do not press the product screen with hands or other objects. There is a risk of damaging the screen.

— Exercise care when cleaning as the panel and exterior of advanced displays are easily scratched.

Take the following steps when cleaning.

- 1 Power off the product and PC.
- 2 Disconnect the power cord from the product.
 - Hold the power cable by the plug and do not touch the cable with wet hands. Otherwise, an electric shock may result.
- 3 Wipe the product with a clean, soft and dry cloth.

Wet a soft cloth in water, wring it out well, and then use the cloth to wipe the exterior of the product clean.

 - Do not apply a cleaning agent that contains alcohol, solvent, or surfactant to the product.
 - Do not spray water or detergent directly on the product.
- 4 Connect the power cord to the product when cleaning is finished.
- 5 Power on the product and PC.

Correct posture to use the product



Use the product in the correct posture as follows:

- Straighten your back.
- Allow a distance of 45 to 50cm between your eye and the screen, and look slightly downward at the screen.
- Keep your eyes directly in front of the screen.
- Adjust the angle so light does not reflect on the screen.
- Keep your forearms perpendicular to your upper arms and level with the back of your hands.
- Keep your elbows at about a right angle.
- Adjust the height of the product so you can keep your knees bent at 90 degrees or more, your heels attached to the floor, and your arms lower than your heart.
- Do the Eye exercises or blink frequently, then eye fatigue will be relieved.

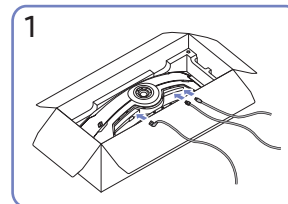
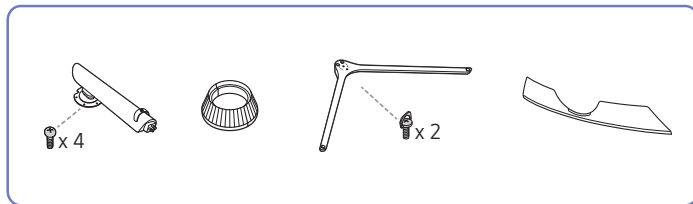
Preparations

Installation

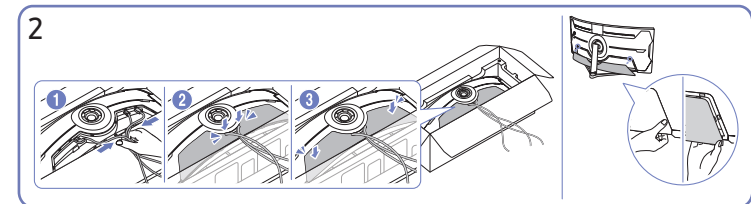
Attaching the Stand

- Disassembly is the reverse order of assembly.
- The colour and shape of parts may differ from what is shown. Specifications are subject to change without notice to improve quality.

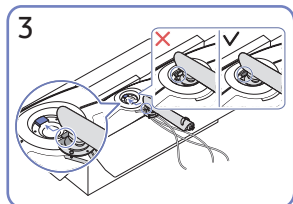
S57CG95*N



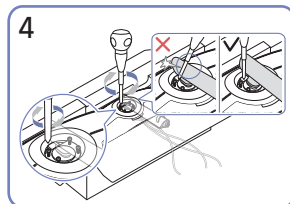
1 Connect the corresponding cables.



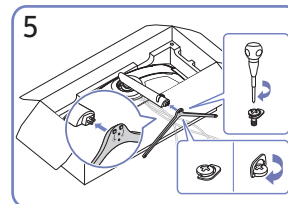
2 Collect cables and then align them with the centre groove of COVER REAR SUB. Assemble the COVER REAR SUB on the rear of the product.



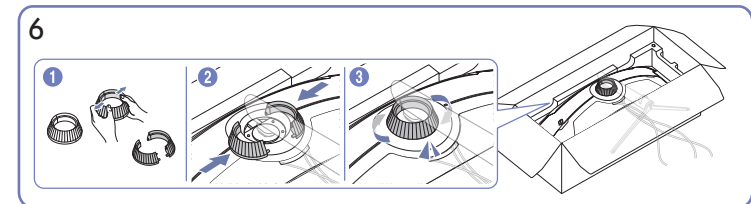
3 Place the stand neck on the monitor as shown in the figure.



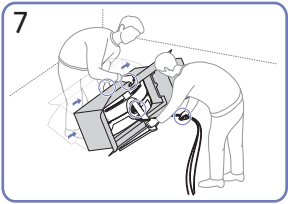
4 Fasten the screws at the top of the stand neck.



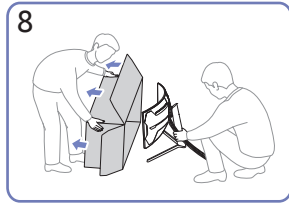
5 Insert the stand base into the stand neck in the direction as shown in the figure.



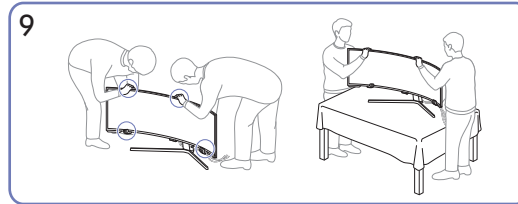
6 Disassemble the COVER-REAR TOP. Assemble the COVER-REAR TOP to the stand neck as shown in the figure. Rotate the COVER-REAR TOP clockwise.



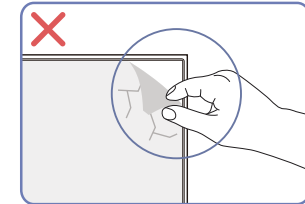
7
Stand up the monitor as shown in the figure.



8
Remove the package.



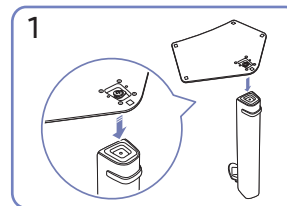
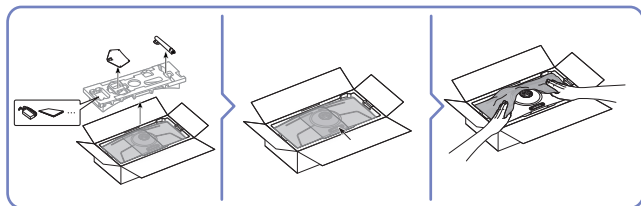
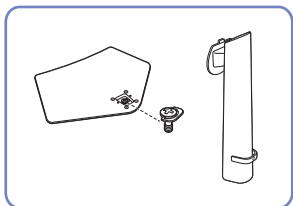
9
Move the product onto the table. At this time, hold the cables together not to be stuck under the stand.



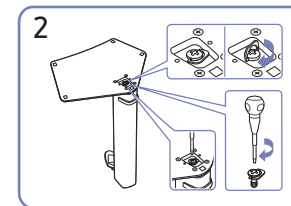
Caution

Do not arbitrarily remove the panel film. If not observed, the warranty service may be restricted.

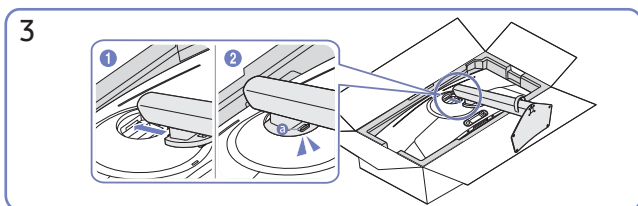
S49CG93*S / S49DG91*S / S49DG93*S



1 Put the stand base onto the stand neck as the direction shown in the figure. Check that the stand neck is firmly connected.

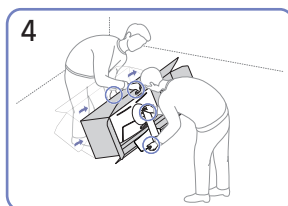


2 Tightly fasten the connecting screw at the bottom of the stand base.

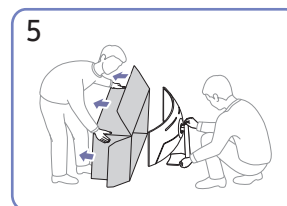


3 Push the assembled stand into the main body in the direction of the arrow as shown in the figure.

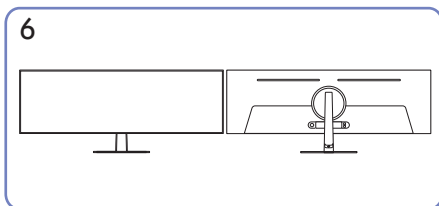
Confirm that the stand is tightly fastened. If **a** has not been fully lowered, lower it while holding it with your hand.



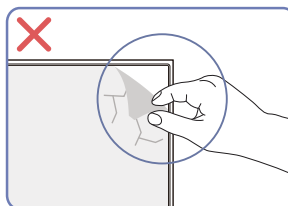
4 Stand up the monitor as shown in the figure.



5 Separate the box from the product.

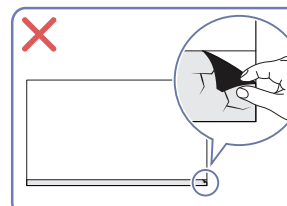


6 Stand assembly is complete.



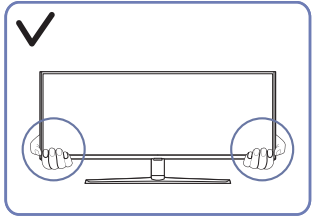
Caution

Do not arbitrarily remove the panel film. If not observed, the warranty service may be restricted.

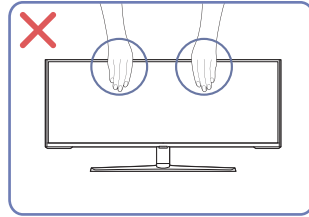


Precautions for moving the product

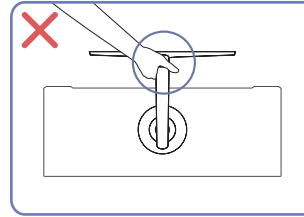
— The colour and shape of parts may differ from what is shown. Specifications are subject to change without notice to improve quality.



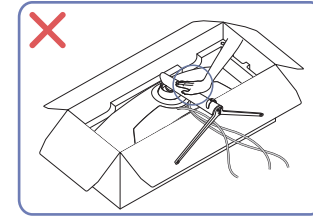
- Hold the lower corners or edges of the product when moving it.



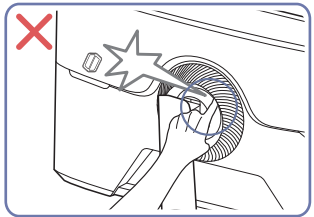
- Do not directly apply pressure on the screen.
- Do not hold the screen when moving the product.



- Do not hold the product upside down only by the stand.

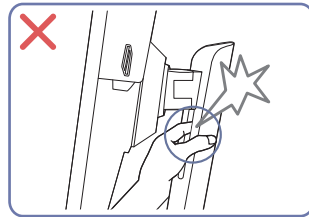


- Do not press down on the product. There is a risk of damaging the product.

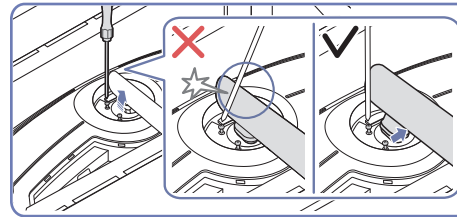


- Be careful and ensure that your fingers are not caught.

— S57CG95*N model only.



- Be careful and ensure that your fingers are not caught.



- Tilt the stand neck to sides to avoid contact with the screwdriver.

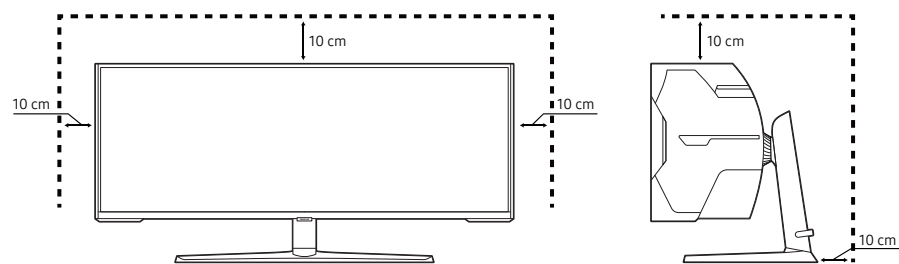
— S57CG95*N model only.

Checking the space around the product

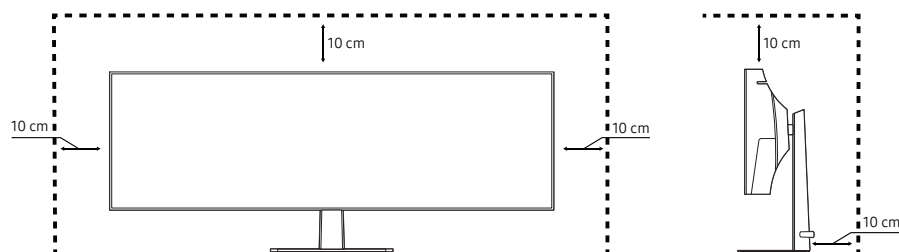
Make sure to have enough space for ventilation when placing the product. An internal temperature rise may cause fire and damage the product. Maintain enough space around the product as shown in the diagram when installing the product.

— The exterior may differ depending on the product.

S57CG95*N



S49CG93*S / S49DG91*S / S49DG93*S

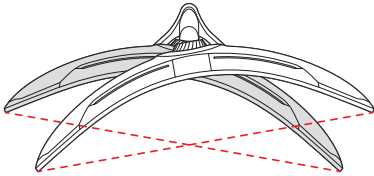


Adjusting the Product Tilt and Height

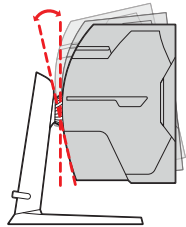
The colour and shape of parts may differ from what is shown. Specifications are subject to change without notice to improve quality.

S57CG95*N

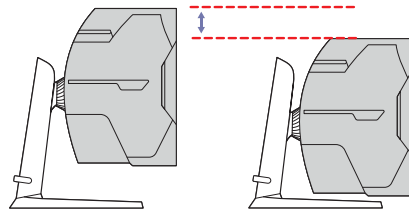
$-15.0^\circ (\pm 2.0^\circ) \sim 15.0^\circ (\pm 2.0^\circ)$



$-3.0^\circ (\pm 2.0^\circ) \sim 10.0^\circ (\pm 2.0^\circ)$

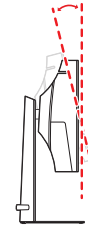


120.0 mm (± 5.0 mm)

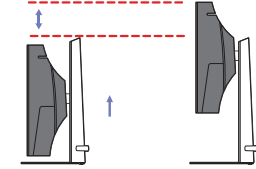


S49CG93*S / S49DG91*S / S49DG93*S

$-2.0^\circ (\pm 2.0^\circ) \sim 15.0^\circ (\pm 2.0^\circ)$



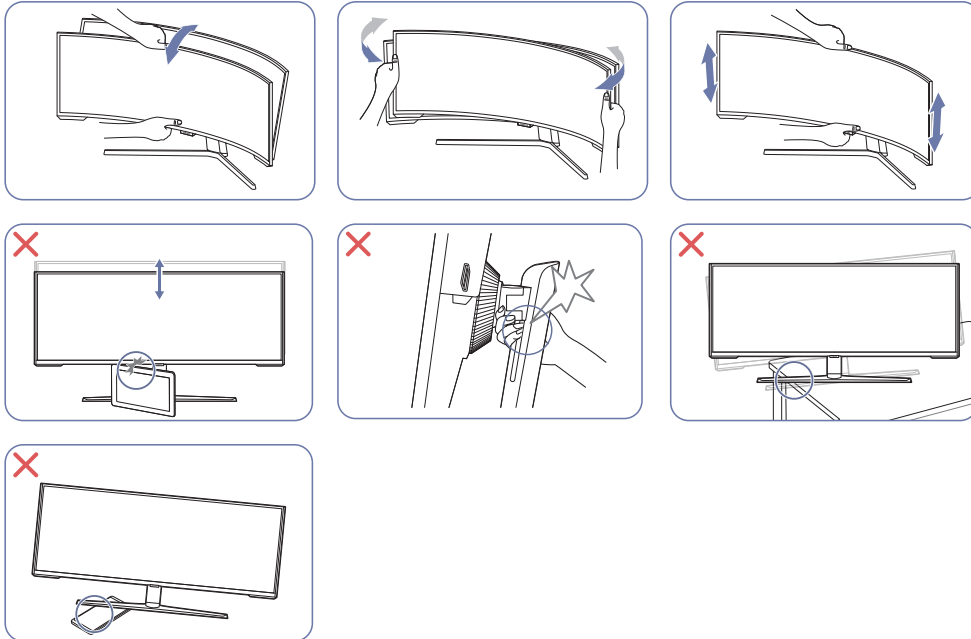
120.0 mm (± 5.0 mm)



- The product tilt and height can be adjusted.
- Hold the top centre of the product and adjust the height carefully.
- When adjusting the stand height, you may hear a noise. This noise is generated because the ball inside the stand slides when the stand height is adjusted. It is a normal noise and not a product malfunction.

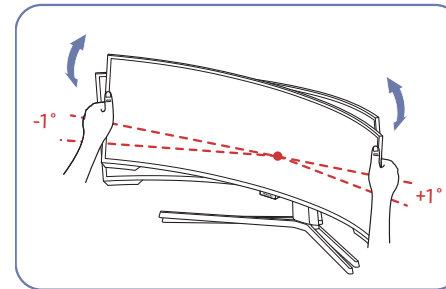
Caution

The colour and shape of parts may differ from what is shown. Specifications are subject to change without notice to improve quality.



- Grasp the left and right sides of the monitor and adjust the swivel. (S57CG95*N model only.)
- Grasp the centre of the monitor and adjust the height.
- Do NOT hold the stand moving part with your hand when leveling the screen. Your hand may get hurt.
- When installing the product on a cabinet or shelf, make sure that the bottom edge of the front of the product is not protruding.

After adjusting the product tilt and height, if the screen is not level, take the following actions.

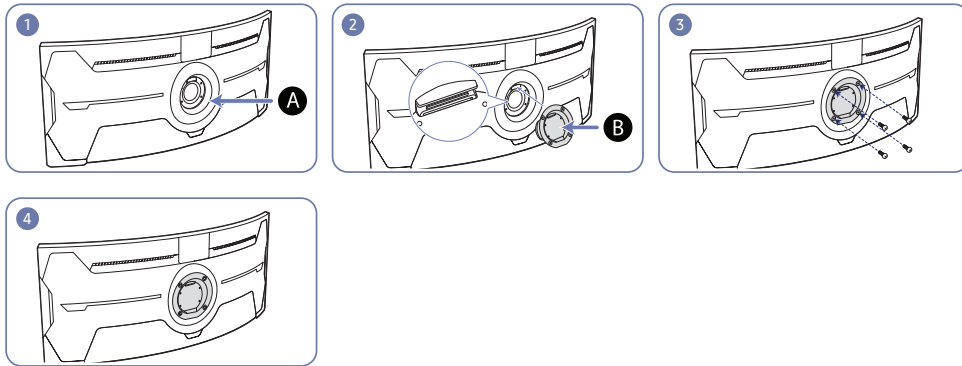


- Hold the bezel at both side edges and adjust the monitor angle until the screen becomes level. (Be careful not to directly hold the display.)
- The monitor angle can be adjusted from -1° to $+1^\circ$.

Attaching the BRACKET WALL

— Power the product off and remove the power cable from the power socket.

S57CG95*N

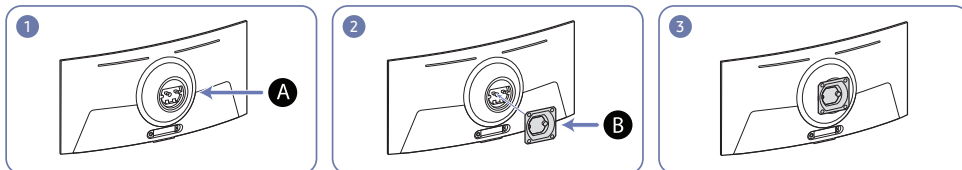


A Attach the BRACKET WALL here

B BRACKET WALL

Align **B** with **A** on the monitor, then tightly fasten with the screws removed from the stand.

S49CG93*S / S49DG91*S / S49DG93*S



A Attach the BRACKET WALL here

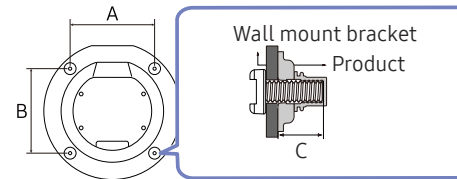
B BRACKET WALL

Align **B** with **A** on the monitor, and tightly fasten with the screws on **B**.

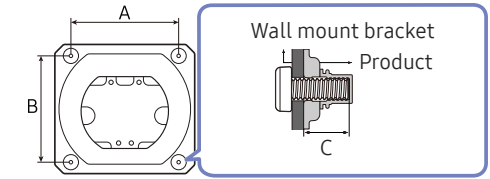
Notes

- Using a screw longer than the standard length can damage the internal components of the product.
- The length of screws required for a wall mount that does not comply with the VESA standards may vary depending on the specifications.
- Do not use screws that do not comply with the VESA standards. Do not attach the wall-mount kit or desktop stand using excessive force. The product may get damaged or fall and cause personal injury. Samsung shall not be held liable for any damage or injury caused by using improper screws or attaching the wall-mount kit or desktop stand using excessive force.
- Samsung shall not be held liable for any product damage or personal injury caused by using a wall-mount kit other than the one specified or from an attempt to install the wall-mount kit on your own.
- To mount the product on a wall, ensure you purchase a wall-mount kit that can be installed 10 cm or farther away from the wall.
- Be sure to use a wall-mount kit that complies with the standards.
- To install the monitor using a wall mount, disconnect the stand base from the monitor.
- Do not mount the product at more than a 15 degree tilt.

S57CG95*N



S49CG93*S / S49DG91*S / S49DG93*S



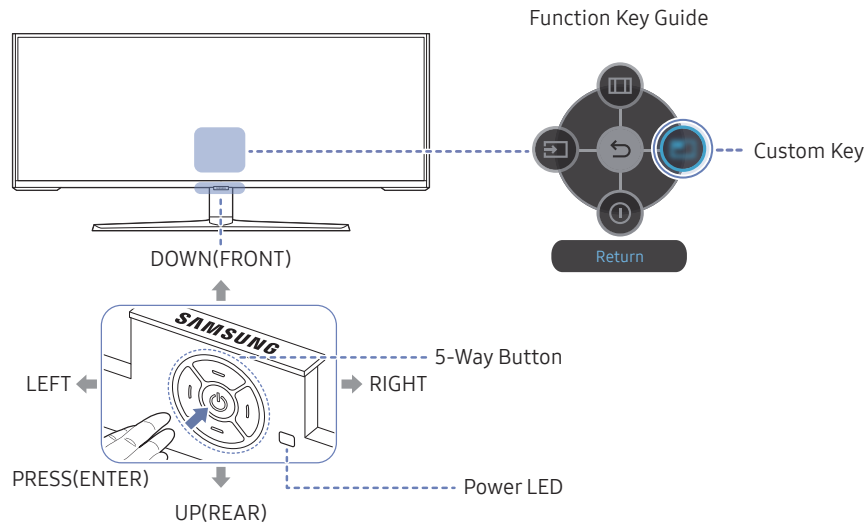
| Model name | VESA screw hole specs (A * B) in millimetres | C (mm) | Standard Screw | Quantity |
|------------|-------------------------------------------------|-----------|----------------|----------|
| S57CG95*N | | 4.0 ~ 9.5 | | |
| S49CG93*S | 100.0 x 100.0 | | M4 | 4 |
| S49DG91*S | | 3.5 ~ 5.5 | | |
| S49DG93*S | | | | |

— Do not install your Wall Mount Kit while your product is turned on. It may result in personal injury due to electric shock.

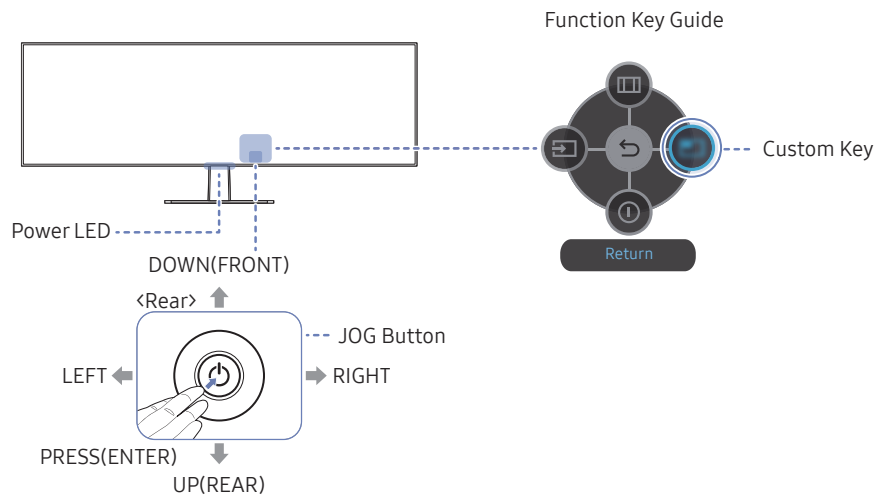
Control Panel

The colour and shape of parts may differ from what is shown. Specifications are subject to change without notice to improve quality.

S57CG95*N



S49CG93*S / S49DG91*S / S49DG93*S



| Parts | Description |
|--------------------|---------------------------------------------------------------------------------------------------------------------------------------------------------------------------------------------------------------------------------------------------------------------------------------------------------------------------------------|
| 5-Way Button | Multi directional button that helps navigate. |
| JOG Button | Multi directional button that helps navigate. — S49CG93*S / S49DG91*S / S49DG93*S models only. |
| Power LED | This LED is power status indicator. — You can select the power LED operation to be enabled or disabled on the menu screen. (Source icon) → System → Power LED On |
| Function Key Guide | To use the Function Key Guide, press the 5-Way / JOG button when the screen is turned on. <ul style="list-style-type: none"> Custom Key is used to directly access the function set in Setup Custom Key. Setup Custom Key — Go to (Source icon) → System → Setup Custom Key and change the custom key. |
| Source | Changes the input source. A message will appear on the top left corner of the screen if the input source has been changed. |
| Menu | Displays the main on-screen menu. |
| Power Off | Turns off the product. |
| Return | Exits from the menu page. |

Connecting and Using a Source Device

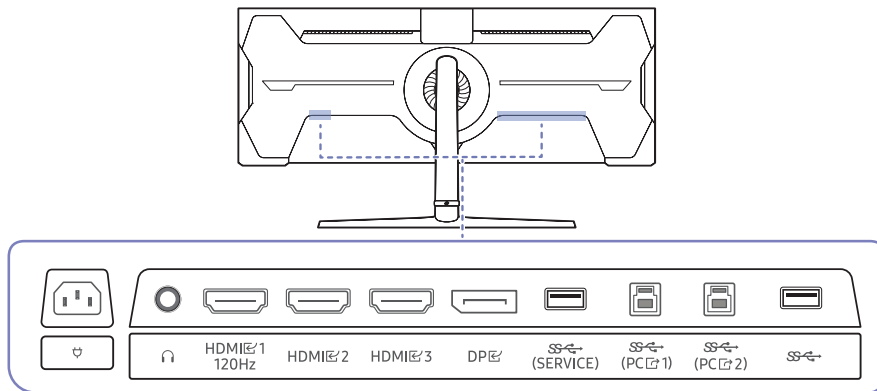
Read below before connecting the product.

- 1 Before connecting the product, check the shapes of both ports of the supplied signal cables and the shapes and locations of the ports on the product and external device.
 - 2 Before connecting the product, make sure you remove the power cables from both the product and the external device to prevent damage to the product due to a short circuit or over current.
 - 3 After all signal cables have been properly connected, connect the power cables back to the product and the external device.
 - 4 After connecting is completed, make sure you read the manuals to acquaint yourself with the product functions, precautions and other information required to use the product properly.
 - 5 To use Max specifications of our products, check the support specifications of the cable version you use.
- Connecting parts may differ in different products.
 - Provided ports may vary depending on the product.

Ports

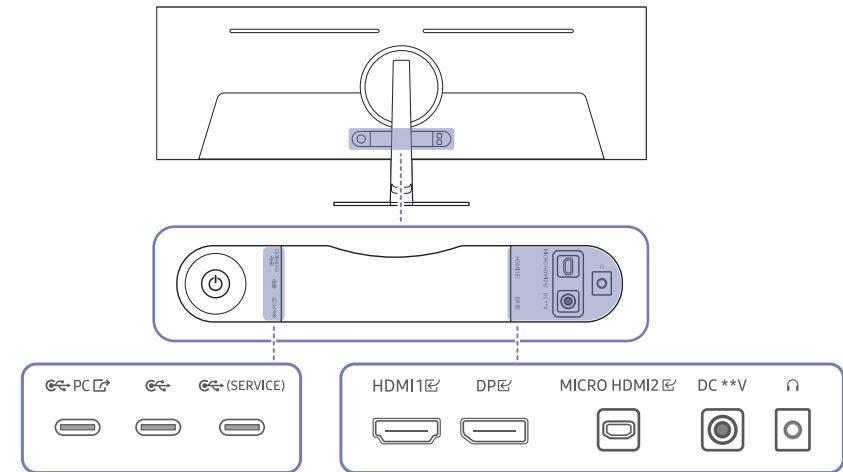
The functions available may vary depending on the product model. The colour and shape of parts may differ from what is shown. Specifications are subject to change without notice to improve quality. Refer to the actual product.

S57CG95*N



| Port | Description |
|--------------|--------------------------------------------------------------------------------------------------------------|
| | Connect to an audio output device such as headphones or earphones. |
| HDMI 120Hz | Connects to a source device using an HDMI cable. |
| HDMI 2 | The HDMI 1 120Hz port supports up to DUHD at 120 Hz (7680 x 2160 @ 120 Hz). |
| HDMI 3 | |
| DP | Connects to a PC using a DP cable. |
| SS (PC 1) | Connects to a PC using a USB cable. Compatible with a USB cable version 2.0. |
| SS (PC 2) | |
| SS (SERVICE) | Connect to a USB device. Used to update the software. |
| | For more information, see Connecting the Product to a PC as a USB HUB, Software Update page. |
| SS | Connect to a USB device. |
| | Connect the power cord for product. |

S49CG93*S / S49DG91*S / S49DG93*S



| Port | Description |
|--------------|-----------------------------------------------------------------------------------------------------------------------|
| | Connect to an audio output device such as headphones or earphones. |
| | S49DG91*S / S49DG93*S model only. |
| HDMI 1 | Connects to a source device using an HDMI cable. |
| MICRO HDMI 2 | Connects to an external device using the HDMI cable supplied by Samsung (which is a High Speed HDMI certified cable). |
| DP | Connects to a PC using a DP cable. |
| SS PC | Connects to a PC using a USB-C cable. It operates as USB 3.0 only when using USB HUB. |
| | For more information, see Connecting the Product to a PC as a USB HUB page. |
| SS (SERVICE) | Connects to a USB device, such as a keyboard or mouse. Used to update the software. |
| | To update the software by using a USB device, make sure to use a USB 2.0 device. |
| | For more information, see Software Update . |
| SS | Connects to a USB device, such as a keyboard or mouse. |
| DC **V | Connects to the AC/DC adapter. |

Connecting and Using a PC

Select a connection method suitable for your PC.

— Port names and the number of ports may differ, depending on the model.

Connection Using the HDMI Cable

S49CG93*S / S49DG91*S / S49DG93*S : HDMI 1

S57CG95*N : HDMI 120Hz, HDMI 2, HDMI 3



— It is recommended to use the HDMI cable provided as components. If not provided, be sure to use authorised cable for HDMI cable connections. If you use a unauthorised HDMI cable, the image quality may be degrade.

Connection Using an DP Cable

DP



— It is recommended to use the DP cable provided as an accessory. If not provided, be sure to use a DP cable of 1.5 m or below.

— Use a VESA certified DP1.2 cable or higher and its gender.

Connecting to headphones or earphones



— S57CG95*N / S49DG91*S / S49DG93*S models only.

— Use headphones or earphones when activating sound with an HDMI-HDMI or DP cable.

— The headphones or earphones jack supports only the 3 conductor tip-ring-sleeve (TRS) type.

Connection Using the MICRO HDMI Cable

MICRO HDMI 2



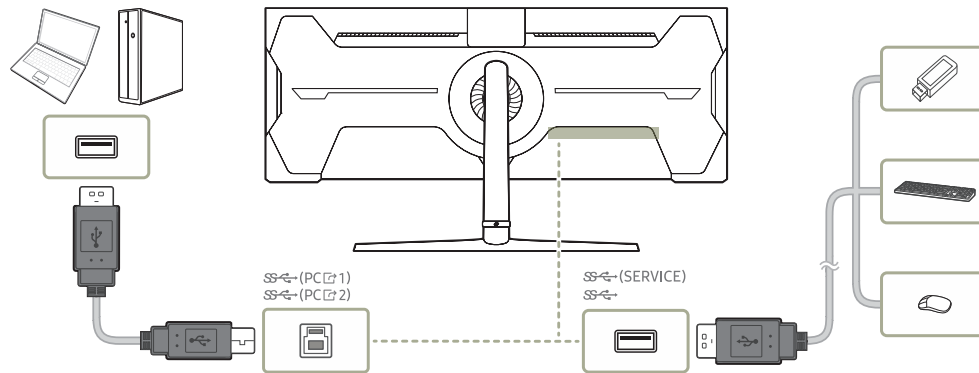
— S49CG93*S / S49DG91*S / S49DG93*S models only.

Connecting the Product to a PC as a USB HUB

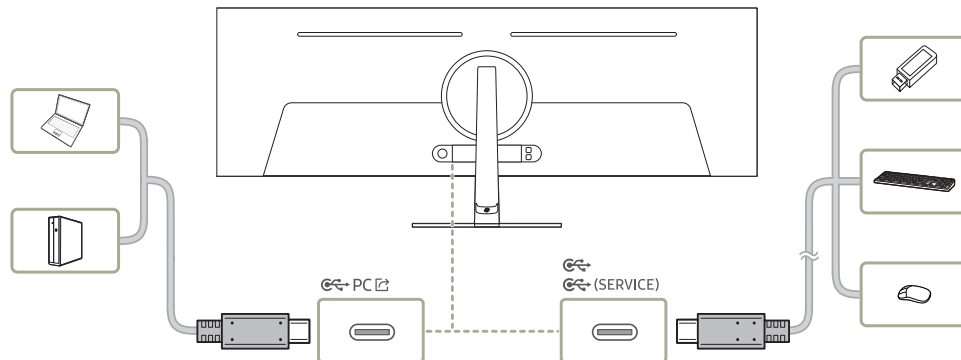
Using the product as a hub, connect and use various source devices with the product at a time.

— Port names and the number of ports may differ, depending on the model.

S57CG95*N



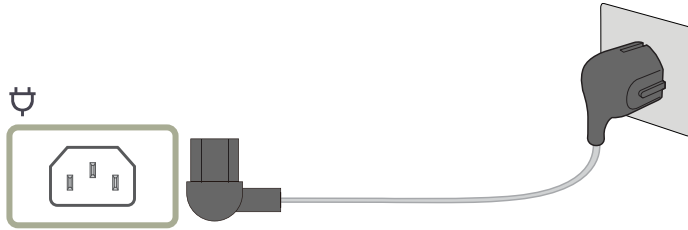
S49CG93*S / S49DG91*S / S49DG93*S



- To detect and start a USB device faster, connect the USB device to the (SERVICE), , , (SERVICE) port on the product. The read/write rate will be affected by the USB device and your PC.
- For USB-related problems caused by OS, drive programmes or software, please contact relevant suppliers.
- With the launch of various USB devices on the market, we cannot guarantee that our products are matched with all USB devices.
- For an external mass-storage HDD requiring external power supply, be sure to connect it to a power source.
- The company is not liable for problems or damages to an external device caused by using an unauthorised cable for the connection.
- Some products do not follow the USB standard, and it may cause a malfunction of the device.
- To connect a USB device using a USB Type-C to A cable, make sure the USB device is a shielding type.

Connecting the Power

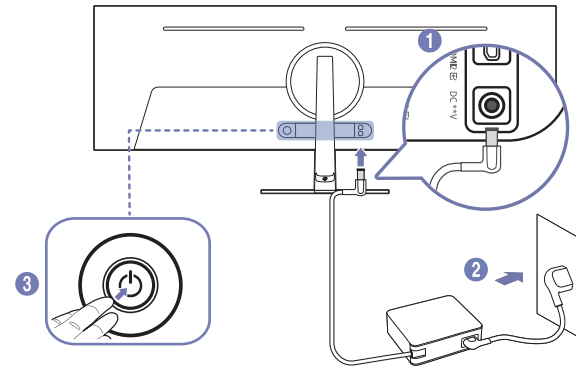
S57CG95*N



To use the product, connect the power cable to a power outlet and the ⏏ port on the product.

— The input voltage is switched automatically.

S49CG93*S / S49DG91*S / S49DG93*S

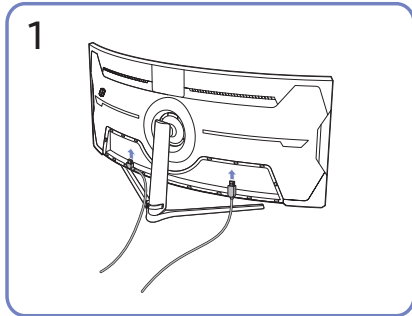


- 1 Connect the power cable to the AC/DC adapter. Then, connect the AC/DC adapter to the DC **V port on the back of the product.
 - Rated power consumption for adapters differs depending on the model. Use an adapter that meets the power consumption specification of the model.
- 2 Next, connect the power cable to the power outlet.
- 3 Press the JOG button on the back of the product to turn it on.

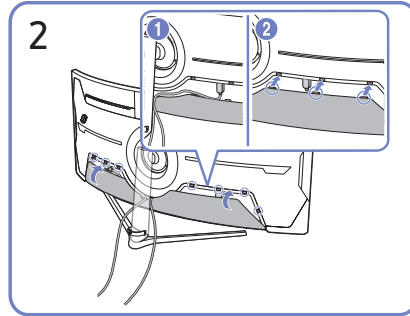
— The input voltage is switched automatically.

Tidying Up the Cables

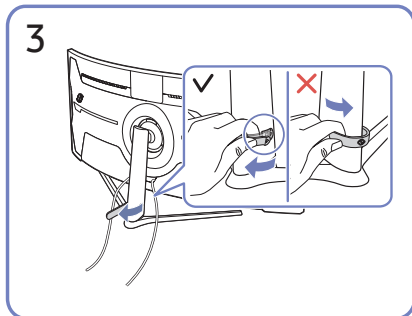
S57CG95*N



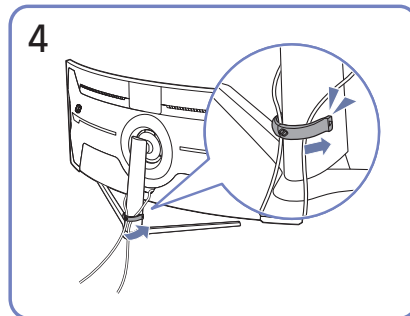
Connect the corresponding cables.



Arrange the cables against the bend tendency of the cables and pull the cables out of the COVER-REAR SUB grooves.

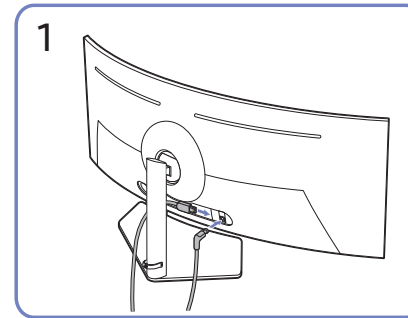


Pull the right side of the HOLDER-STAND CABLE to remove from the stand. The left side of the HOLDER-STAND CABLE can be damaged when pulled forcibly.

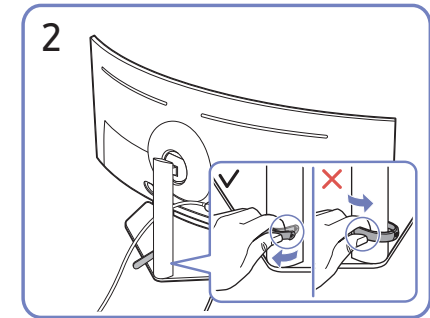


Put both cables in the cable holder on the stand (HOLDER-STAND CABLE) to organise the cables, as shown in the figure. Assembly is complete.

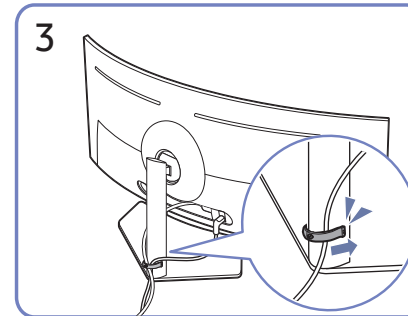
S49CG93*S / S49DG91*S / S49DG93*S



Connect the corresponding cables.



Pull the right side of the HOLDER-STAND CABLE to remove from the stand. The left side of the HOLDER-STAND CABLE can be damaged when pulled forcibly.



Put both cables in the cable holder on the stand (HOLDER-STAND CABLE) to organise the cables, as shown in the figure.

Assembly is complete.

Setting Optimum Resolution

An information message about setting optimum resolution will appear if you power on the product for the first time after purchase.

Select a language on information message and change the resolution on your PC to the optimum setting.

- Available functions may differ depending on the model.
- If the optimum resolution is not selected, the message will appear up to three times for a specified time even when the product is turned off and on again.
- If you want to set the optimum resolution for your computer, please refer to (Q&A) → [“How can I change the resolution?”](#)
- You can adjust the refresh rate according to the screen resolution by selecting **Game** → **Refresh Rate** in the OSD menu. (S57CG95*N model only.)
- To enable the maximum refresh rate, set **FreeSync Premium Pro** (in **HDMI** mode only.) to **On** or set **Refresh Rate** to **240 Hz**. (S57CG95*N model only.)
- This menu is only available when **Refresh Rate** is set to **240 Hz**. (in **DisplayPort** mode) (S57CG95*N model only.)

Using the Panel Care feature

Protects the panel to prevent problems with the product screen.

- S49CG93*S / S49DG91*S / S49DG93*S models only.
- If your OLED Product displays the same still image for 2 minutes, **Screen Saver** is automatically activated. **Screen Saver** cannot be turned off, to ensure protection of pixels.

Precautions for preventing image retention

- If a still screen is displayed for an extended period of time, image retention or bad pixels may occur.
- Examples of still screens that cause image retention.
 - A still image, or an image with objects fixed to a spot (e.g., desktop icon, fixed windows such as menus, logos, etc).
 - Menu items or icons fixed to a spot in a web browser or webpage.
 - The icons or logos of menu items or source devices (e.g., game console, set top box, PC, etc) fixed to a spot.
 - A playing video being kept paused for an extended period of time.
 - Use of an input source that has a different aspect ratio from the screen size for an extended period of time (e.g., full screen mode of 16:9 or 4:3 ratio videos).
- To prevent image retention and other issues with the product screen, the Panel Care feature protects the screen.

Protection of the Product screen through Panel Care

Adjusts settings to protect the screen.

- For details on how to configure **Panel Care** settings, navigate to **Menu** > **System** and refer to the **Panel Care** menu.

Menu


Function Key Guide → 

— The functions available may vary depending on the product model. The colour and shape of parts may differ from what is shown. Specifications are subject to change without notice to improve quality.

Game

| 2nd | 3rd | Description |
|---------------------|-----|--------------------------------------------------------------------------------------------------------------------------------------------------------------------------------------------------------------------------------------------------------------------------------------------------------------------------------------------------------------------------------------------------------------------------------------------------------------------------------------------------------------------------------------------------------------------------------------------------------------------------------------------------------------------------------------------------------------------------------------------------------------------------------------------------------------------------------------------------------------------------------------------------------------------------------------------------------------------------------------------------------------------------------------------------------------------------------------------------------------------------------------------------------------------------------------------|
| Refresh Rate | | <p>Change the screen refresh rate. A higher refresh rate can reduce eye strain.</p> <ul style="list-style-type: none">• DisplayPort: 120 Hz / 240 Hz HDMI: 120 Hz / 240 Hz <p>— The HDMI 1 port is not available when Refresh Rate is set to 240 Hz.</p> <p>— This menu is not available when PIP/PBP is enabled.</p> <p>— This option is not available when Adaptive-Sync is set to Off.</p> <p>— This option is not available when FreeSync Premium Pro is set to Off.</p> <p>— Changing the Refresh Rate may cause screen flickering, depending on the PC's graphics card.</p> <p>— The function is available in a PC equipped with the graphics card that can change the refresh rate. It is unavailable in the devices (e.g. AV devices) with fixed refresh rates. If the function is applied, the screen may have malfunction.</p> <p>— If the Refresh Rate function is in use and the text displayed on the PC screen looks blurry or corrupted, resolve the issue by changing the resolution of the PC screen to the recommended resolution.</p> <p>— S57CG95*N model only.</p> |

| 2nd | 3rd | Description |
|-----------------------------|-----|--------------------------------------------------------------------------------------------------------------------------------------------------------------------------------------------------------------------------------------------------------------------------------------------------------------------------------------------------------------------------------------------------------------------------------------------------------------------------------------------------------------------------------------------------------------------------------------------------------------------------------------------------------------------------------------|
| Response Time | | <p>Accelerate the panel response rate to make video appear more vivid and natural.</p> <ul style="list-style-type: none"> — It is best to set Response Time to Standard or Faster when you are not viewing a movie or game. — This option is not available when Adaptive-Sync / FreeSync Premium Pro is set to On. — This menu is not available when PIP/PBP is enabled. — S57CG95*N model only. |
| Adaptive-Sync | | <p>Adaptive-Sync technology is solution that eliminates screen tearing without all the usual lag and latency.</p> <p>For more information, see Adaptive-Sync (for NVIDIA graphics card) page.</p> <ul style="list-style-type: none"> — This menu is not available when PIP/PBP is enabled. |
| Low Input Lag | | <p>Minimise input lag for fast reactions by reducing the video processing time.</p> <ul style="list-style-type: none"> — This option is not available when Adaptive-Sync is set to On. — This menu is not available when PIP/PBP is enabled. — S49CG93*S / S49DG93*S models only. |
| FreeSync Premium Pro | | <p>FreeSync technology is solution that eliminates screen tearing without all the usual lag and latency. FreeSync can be operated when you use AMD's graphic card with supporting FreeSync solution.</p> <p>For more information, see FreeSync (for AMD graphics card) page.</p> <ul style="list-style-type: none"> — This menu is not available when PIP/PBP is enabled. |
| Black Equalizer | | <p>Adjust the brightness of the dark areas.</p> <p>As the value gets closer to 0, the darker areas of the screen become brighter, making it easier to find enemies when playing a game. To find enemies more easily during a game, use a lower value.</p> <p>As the value gets closer to 10, the darker areas of the screen become darker and the contrast increases.</p> <ul style="list-style-type: none"> — This menu is not available when Eye Saver Mode is enabled. — This menu is not available when the input signal is AV timing and the monitor is in AV mode. — This menu is not available when PIP/PBP is enabled. |

| 2nd | 3rd | Description |
|-------------------------------|-----|--------------------------------------------------------------------------------------------------------------------------------------------------------------------------------------------------------------------------------------------------------------------------------------------------------------------------------------------------------------------------------------------------------------------------------------------------------------------------------------------------------------------------------------------------------------------------------------------------------------------------------------------------------------------------------------------------------------------------------------------------------------------------------------------------------------------------------------------------------------------------------------------------------------------------------------------------------------------------------------------------------------------------------------------------------------------------------------------------------------------------------------------------------------------------------------------------------------------------------------------------------------------------------------------------------------------------------------------------------------------------------------------------------------------------------------------------------------------------------------------------------------------------------------------------------------------------------------------------------------------------------------------------------------------------------|
| Virtual Aim Point | | <ul style="list-style-type: none"> • Off: Virtual Aim Point is not available while Off is selected. • : Select the preferred aim point style. • Reset Position: Restore the aim point position to the default. <p>— This menu is not available when PIP/PBP is enabled.</p> |
| Infinity Core Lighting | | <p>Turn on or off the LED lighting behind the screen.</p> <p>— S49CG93*S / S49DG93*S models only.</p> |
| Screen Size | | <p>Select the best screen size and ratio.</p> <p>— This menu is not available when PIP/PBP is enabled.</p> <p>— Available functions may differ depending on the model.</p> <p>In PC mode</p> <ul style="list-style-type: none"> • Auto: Display the picture according to the aspect ratio of the input source. • Wide: Display the picture in full screen regardless of the aspect ratio of the input source. • 17" (4:3): Use a 4:3 aspect ratio on a 17-inch screen. Pictures with a different aspect ratio will not be displayed. • 19" (4:3): Use a 4:3 aspect ratio on a 19-inch wide screen. Pictures with a different aspect ratio will not be displayed. • 19" Wide (16:10): Use a 16:10 aspect ratio on a 19-inch wide screen. Pictures with a different aspect ratio will not be displayed. • 21.5" Wide (16:9): Use a 16:9 aspect ratio on a 21.5-inch wide screen. Pictures with a different aspect ratio will not be displayed. • 22" Wide (16:10): Use a 16:10 aspect ratio on a 22-inch wide screen. Pictures with a different aspect ratio will not be displayed. • 23" Wide (16:9): Use a 16:9 aspect ratio on a 23-inch wide screen. Pictures with a different aspect ratio will not be displayed. • 27" Wide (16:9): Use a 16:9 aspect ratio on a 27-inch wide screen. Pictures with a different aspect ratio will not be displayed. • 29" Wide (21:9): Use a 21:9 aspect ratio on a 29-inch wide screen. Pictures with a different aspect ratio will not be displayed. |

| 2nd | 3rd | Description |
|-------------|-----|------------------------------------------------------------------------------------------------------------------------------------------------------------------------------------------------------------------------------------------------------------------------------------------------------------------------------------------------------------------------------------------------------------------------------------------------------------------------------------------------------------------------------------------------------------------------------------------------------------------------------------------------------------------------------------------------------------------------------------------------------------------------------------------------------------------------------------------------------------------------------------------------------------------------------------------------------------------------------------------------------------------------------------------------------------------------------------------------------------------------------------------------------------------------------------------------------------------------------------------------------------------------------------------------------------------------------------------------------------------------------------------------------------------------------------------------------------------------------------------------------------------------------------------------------------------------------------------------------------------------------------------------------------------------------------------------------------------------------------------------------------------------------------------------------------------------------------------------------------------------------------------------------------------------------------------------------------------------------------------------------------------------------------------------------------------------------------------------------------------------------------------------------------------------------------------------------------------------------------------------------------------------|
| Screen Size | | <p>In AV mode</p> <ul style="list-style-type: none"> • 4:3: Display the picture with an aspect ratio of 4:3. Suitable for videos and standard broadcasts. • 16:9: Display the picture with an aspect ratio of 16:9. • 21:9: Display the picture with an aspect ratio of 21:9. • 32:9: Display the picture with an aspect ratio of 32:9. • Screen Fit: Display the picture with the original aspect ratio without cutting off. • 17" (4:3): Use a 4:3 aspect ratio on a 17-inch screen. Pictures with a different aspect ratio will not be displayed. • 19" (4:3): Use a 4:3 aspect ratio on a 19-inch wide screen. Pictures with a different aspect ratio will not be displayed. • 19" Wide (16:10): Use a 16:10 aspect ratio on a 19-inch wide screen. Pictures with a different aspect ratio will not be displayed. • 21.5" Wide (16:9): Use a 16:9 aspect ratio on a 21.5-inch wide screen. Pictures with a different aspect ratio will not be displayed. • 22" Wide (16:10): Use a 16:10 aspect ratio on a 22-inch wide screen. Pictures with a different aspect ratio will not be displayed. • 23" Wide (16:9): Use a 16:9 aspect ratio on a 23-inch wide screen. Pictures with a different aspect ratio will not be displayed. • 27" Wide (16:9): Use a 16:9 aspect ratio on a 27-inch wide screen. Pictures with a different aspect ratio will not be displayed. • 29" Wide (21:9): Use a 21:9 aspect ratio on a 29-inch wide screen. Pictures with a different aspect ratio will not be displayed. <p>— The function may not be supported depending on the ports provided with the product.</p> <p>— Changing the Screen Size is available when the following conditions are satisfied.</p> <ul style="list-style-type: none"> — The input source is 480p, 576p, 720p, 1080p or 2160p and product can display normally (Not every model can support all of these signals.). — This can only be set when the external input is connected through HDMI/DP and PC/AV Mode is set to AV. |

Picture

| 2nd | 3rd | Description |
|---------------------|-----|----------------------------------------------------------------------------------------------------------------------------------------------------------------------------------------------------------------------------------------------------------------------------------------------------------------------------------------------------------------------------------------------------------------------------------------------------------------------------------------------------------------------------------------------------------------------------------------------------------------------------------------------------------------------------------------------------------------------------------------------------------------------------------------------------------------------------------------------------------------------------------------------------------------------------------------------------------------------------------------------------------------------------------------------------------------------------------------------------------------------------------------------------------------------------------------------------------------------------------------------------------------------------------------------------------------------------------------------------------------------------------------------------------------------------------------------------------------------------------------------|
| Picture Mode | | <p>This menu provides an optimum picture quality suitable for the environment where the product will be used.</p> <ul style="list-style-type: none">— This menu is not available when PIP/PBP is enabled.— This menu is not available when Eye Saver Mode is enabled. <p>In PC mode</p> <ul style="list-style-type: none">• Entertain: Obtain the clear and vivid picture quality with colour enhancement.• Graphic: Obtain the quality of Image contents without colour enhancement.• Eco: This screen is provided to save energy.• Game Standard: Obtain a picture quality suitable for playing games.• FPS: Increase the brightness of darker areas of the FPS (First-Person Shooter) game screen. This mode increases visibility of your enemies during a FPS (First-Person Shooter) game.• RTS: Increase the colour temperature and contrast ratio to improve visibility of the RTS (Real-Time Strategy) screen and minimap.• RPG: This mode is optimised for 3D graphics and instant messaging on the RPG (Role Playing Game) game screen.• Sports: Obtain the brightness and sharpness of monitors suitable for enjoying sports contents.• Original: Obtain the pure picture quality of contents without colour enhancement.• Custom: Customise the screen settings. |

| 2nd | 3rd | Description |
|---------------------|-----|---------------------------------------------------------------------------------------------------------------------------------------------------------------------------------------------------------------------------------------------------------------------------------------------------------------------------------------------------------------------------------------------------------------------------------------------------------------------------------------------------------------------------------------------------------------------------------------------------------------------------------------------------------------------------------------------------------------------------------------------------------------------------------------------------------------------------------------------------------------------------------------------------------------------------------------------------------------------------------------------------------------------------------------------------------------------------------------------------------------------------------------------------------------------------------------------------------------------------------------------------------------------------------------------------------------------------------------------------------------------------------------------------------------------------------------------------------------------------------------------------------------------------------------------------------------------------------------------------------------------------------------------------------------------------------------------------------------------------------------------------------------------------------------------------------------------------------------------------------------------------------------------------------------------------------------------------------------------------------------------------------------------------------------------------------------------------------------------------------------------------------------------------------|
| Picture Mode | | <p>In AV mode</p> <p>When the external input is connected through HDMI/DP and PC/AV Mode is set to AV, Picture Mode has eleven picture settings (Dynamic, Standard, Eco, Movie, Game Standard, FPS, RTS, RPG, Sports, Original, Custom) that are preset at the factory. You can activate either Dynamic, Standard, Eco, Movie, Game Standard, FPS, RTS, RPG, Sports, Original or Custom. You can select Custom which automatically recalls your personalised picture settings.</p> <ul style="list-style-type: none"> • Dynamic: Select this mode to view a sharper image than in Standard mode. • Standard: Select this mode when the surroundings are bright. • Eco: This screen is provided to save energy. • Movie: Select this mode when the surroundings are dark. This will save power and reduce eye fatigue. • Game Standard: Obtain a picture quality suitable for playing games. • FPS: Increase the brightness of darker areas of the FPS (First-Person Shooter) game screen. This mode increases visibility of your enemies during a FPS (First-Person Shooter) game. • RTS: Increase the colour temperature and contrast ratio to improve visibility of the RTS (Real-Time Strategy) screen and minimap. • RPG: This mode is optimised for 3D graphics and instant messaging on the RPG (Role Playing Game) game screen. • Sports: Obtain the brightness and sharpness of monitors suitable for enjoying sports contents. • Original: Obtain the pure picture quality of contents without colour enhancement. • Custom: Select this mode when you want to adjust the image according to your preferences. <p>— The Picture Mode feature is only activated at a certain AV resolution, such as 720P @ 60 Hz and 1080P @ 60 Hz.</p> |
| Brightness | | <p>You can adjust the general brightness of the picture. (Range: 0~50)</p> <p>A higher value will make the picture appear brighter.</p> <p>— Available functions may differ depending on the model.</p> <p>— This menu is not available when Eye Saver Mode is enabled.</p> <p>— This menu is not available when Response Time is set to Extreme (MBR) mode.</p> |

| 2nd | 3rd | Description |
|----------------------|-----|--------------------------------------------------------------------------------------------------------------------------------------------------------------------------------------------------------------------------------------------------------------------------------------------------------------------------------------------------------------------------------------------------------------------------------------------------------------------------------------------------------------------------------------------------------------------------------------------|
| Contrast | | <p>Adjust the contrast between the objects and background. (Range: 0~50)</p> <p>A higher value will increase the contrast to make the object appear clearer.</p> <ul style="list-style-type: none"> — This menu is not available when PIP/PBP is enabled. |
| Sharpness | | <p>Make the outline of objects more clear or blurry. (Range: 0~20)</p> <p>A higher value will make the outline of objects clearer.</p> <ul style="list-style-type: none"> — This menu is not available when PIP/PBP is enabled. |
| Color | | <p>Adjust the colour saturation levels. Colour saturation intensifies as the value nears 50. (Range: 0~50)</p> <ul style="list-style-type: none"> — This menu is not available when PIP/PBP is enabled. — This menu is not available when Eye Saver Mode is enabled. — The Color feature is only activated at a certain AV resolution, such as 720P @ 60 Hz, 1080P @ 60 Hz and 2160P @ 60 Hz. |
| Tint (G/R) | | <p>Adjust the ratio of green to red tint levels. Increasing values intensifies the saturation of red and green colours.</p> <ul style="list-style-type: none"> — This menu is not available when PIP/PBP is enabled. |
| Clear motion | | <p>Adjust the drive frame to sharpen fast-moving images.</p> <ul style="list-style-type: none"> — This menu is not available when PIP/PBP is enabled. — This menu is not available when FreeSync Premium Pro is enabled. — This menu is only available when connecting to the HDMI Port. — This menu is only available when input signal is AV timing and the monitor is in AV mode. — It is recommended that this feature be used only when an AV (BD, STB) device is connected. — S49CG93*S model only. |
| Local Dimming | | <p>Control the brightness of individual areas on the screen to maximise contrast automatically.</p> <ul style="list-style-type: none"> — This menu is not available when PIP/PBP is enabled. — This menu is not available when Eye Saver Mode is enabled. — S57CG95*N model only. |




| 2nd | 3rd | Description |
|--------------------------|--------------|-------------------------------------------------------------------------------------------------------------------------------------------------------------------------------------------------------------------------------------------------------------------------------------------------------|
| Contrast Enhancer | | <p>Automatically balance the contrast to prevent excessive differences between bright and dark areas.</p> <ul style="list-style-type: none"> — This menu is not available when PIP/PBP is enabled. — This menu is not available when Eye Saver Mode is enabled. |
| HDR Tone Mapping | | Automatically adjusts the brightness with tone mapping processing according to HDR content information. |
| Color Tone | | <p>Select a colour tone that best suits your viewing needs.</p> <ul style="list-style-type: none"> — This menu is not available when PIP/PBP is enabled. — This menu is not available when Eye Saver Mode is enabled. |
| White Balance | | <p>Adjust the colour temperature of the picture so that white objects appear brighter.</p> <ul style="list-style-type: none"> — This menu is not available when PIP/PBP is enabled. — This menu is not available when Eye Saver Mode is enabled. |
| | Red | Adjust the red saturation level. Values closer to 50 mean greater intensity for the colour. |
| | Green | Adjust the green saturation level. Values closer to 50 mean greater intensity for the colour. |
| | Blue | Adjust the blue saturation level. Values closer to 50 mean greater intensity for the colour. |
| | Reset | Restore the white balance settings to the default values. |
| Gamma | | <p>Adjust the middle level of luminance.</p> <ul style="list-style-type: none"> — This menu is not available when PIP/PBP is enabled. — This menu is not available when Eye Saver Mode is enabled. |
| Shadow Detail | | <p>Adjust the brightness of dark images. Black detail increases as the value nears 5.</p> <ul style="list-style-type: none"> — This menu is not available when PIP/PBP is enabled. — This menu is not available when Eye Saver Mode is enabled. |





| 2nd | 3rd | Description |
|-------------------------------------------|-----|--------------------------------------------------------------------------------------------------------------------------------------------------------------------------------------------------------------------------------------------------------------------------------------------------------------------------------------------------------------------------------------------------------------------------------------------------------------------------------------------------------------------------------------------------------------------------------------------------------------------------------------------------------------------------------------------------------------------------------------------------------------------------------------------------------------------------------------------------------------------------------------------------------------------------------------------------------------------------------------------------------------------------------------------------------------------------------------------------------------------------------------------------------------------------------------------------------------------------------------------------------|
| Color Space Settings / Color Space | | <p>Configure colour space settings to refine the spectrum of colours on your screen.</p> <ul style="list-style-type: none"> — This menu is not available when PIP/PBP is enabled. — This menu is not available when Eye Saver Mode is enabled. — The names and positions of OSD menu items may differ, depending on the model. |
| Peak Brightness | | <p>Adjust the maximum brightness for a brighter screen.</p> <ul style="list-style-type: none"> — S49CG93*S / S49DG91*S / S49DG93*S models only. |
| Black Level | | <p>If a DVD player or set-top box is connected to the product through HDMI, image quality degradation (contrast/colour degradation, black level, etc.) may occur, depending on the connected source device.</p> <p>In such case, Black Level can be used to adjust the image quality.</p> <ul style="list-style-type: none"> • Auto: Select this mode if you want Normal or Low to be automatically selected depending on the signal. • Normal: Select this mode when there is no contrast ratio degradation. • Low: Select this mode to reduce the black level and increase the white level when there is a contrast ratio degradation. <ul style="list-style-type: none"> — This menu is not available when PIP/PBP is enabled. — This function is only available in HDMI mode. — Black Level may not be compatible with some source devices. — The Black Level feature is only activated at a certain AV resolution, such as 720P @ 60 Hz, 1080P @ 60 Hz and 2160P @ 60 Hz. — Adjust the Black Level because the image quality may differ depending on the external device. |

| 2nd | 3rd | Description |
|---------------------------|---------------------------|-----------------------------------------------------------------------------------------------------------------------------------------------------------------------------------------------------------------------------------------------------------------------------------------------------------------------------------------------------------------------------------------------------------------------------------------------------------------------------------------------------------------------------------------------------------------------------------------------------------------------------------------------------------------------------------------------------------------------------------------------------------------------------|
| Eye Saver Mode | | <p>Set to an optimum picture quality suitable for eye relaxation.</p> <p>When Eye Saver Mode is 'On', the blue light that wavelength is around 400nm will decrease, and it will provide an optimum picture quality suitable for eye relaxation.</p> <p>— S49CG93*S / S49DG91*S / S49DG93*S models only.</p> |
| Eye Care | | <p>Set an optimum picture quality that decreases blue light to reduce eye strain.</p> <p>— S57CG95*N model only.</p> |
| | Adaptive Picture | <p>Optimises brightness and provides the best picture quality in real time, based on the lighting condition and the content you're viewing.</p> |
| | Minimum Brightness | <p>Set the minimum brightness for the monitor screen. This function only works if its value is lower than the value set in the Picture menu's Backlight setting.</p> |
| | Eye Saver Mode | <p>Set to an optimum picture quality suitable for eye relaxation.</p> |
| Picture Reset | | <p>Restore all picture settings to the factory default.</p> |
| Screen Adjustment | | <ul style="list-style-type: none"> • H-Position: Move the screen to the left or right. • V-Position: Move the screen up or down. <p>— This menu is not available when PIP/PBP is enabled.</p> <p>— This option is only available when PC/AV Mode is set to AV.</p> <p>— This menu is only available when Screen Size is set to Screen Fit in AV Mode. When a 480P, 576P, 720P, 1080p or 2160p signal is input in AV mode and the product can display normally, select Screen Fit to adjust horizontal position and vertical position in 0-6 levels.</p> <p>— This menu is only available when Adaptive-Sync is set to Off in AV Mode.</p> |
| Calibration Report | | <p>View the Calibration Report.</p> |

PIP/PBP

- The functions available may vary depending on the product model. The colour and shape of parts may differ from what is shown. Specifications are subject to change without notice to improve quality.
- If the **PIP/PBP** function is in use and the text displayed on the PC screen looks blurry or corrupted, resolve the issue by changing the resolution of the PC screen to the recommended resolution.
- Do not arbitrarily change the **PIP/PBP** function while playing a game. Otherwise, some game apps may not respond, resulting in screen errors.


| 2nd | 3rd | Description |
|------------------------|-----|--------------------------------------------------------------------------------------------------------------------------------------------------------------------------------------------------------------------------------------------------------------------------------------|
| PIP/PBP Mode | | Turn PIP/PBP Mode on or off. |
| Mode Type | | Select the size and aspect ratio of the sub-screen. <ul style="list-style-type: none">•  |
| Screen Size | | Select sub-screen size. <ul style="list-style-type: none">•  <p>— This option is available when Mode Type is set to PIP.</p> |
| Screen Position | | Select the position of the sub-screen from the available options. <ul style="list-style-type: none">•  <p>— This option is available when Mode Type is set to PIP.</p> |
| Source | | Select the source for each screen. |





| 2nd | 3rd | Description |
|---------------------|-----|---------------------------------------------------------------------------------------------------------------------------------------------------------------------------------------------------------------------------------------------------------------------------------------------------------------------------------------------------------------------------------------------------------------------------------------------------------------------------------------------------------------------------------------------------------------------------------------------------------------------------------------------------------------------------------------------------------------------------------------------------------------------------------------------------------------------------------------------------------------------------------------------------------------------------------------------------------------------------------------------------------------------------------------------|
| Sound Source | | Set which screen you want to hear the sound for. <ul style="list-style-type: none"> • PIP:  /  • PBP:  /  |
| Switch USB | | Switch the USB source while in the PIP/PBP mode. <ul style="list-style-type: none"> — S57CG95*N model only. |
| Screen Ratio | | Choose the size and aspect ratio of the picture displayed on screen. <p>In PC mode</p> <ul style="list-style-type: none"> • Auto / Wide <p>In AV mode</p> <ul style="list-style-type: none"> • 4:3 / 16:9 / 21:9 / Screen Fit <ul style="list-style-type: none"> — The function may not be supported depending on the ports provided with the product. — Changing the Screen Ratio is available when the following conditions are satisfied. <ul style="list-style-type: none"> — The input source is 480p, 576p, 720p, 1080p or 2160p and product can display normally (Not every model can support all of these signals.). — This can only be set when the external input is connected through HDMI, DP and PC/AV Mode is set to AV. — The Screen Ratio feature is only activated at a certain AV resolution, such as 720P @ 60 Hz, 1080P @ 60 Hz and 2160P @ 60 Hz. |
| Contrast | | Adjust the contrast level. Values closer to 50 mean a bigger light/dark contrast. |

OnScreen Display

| 2nd | 3rd | Description |
|--------------|-----|-------------------------------------------------------------------------------------------------------------------------------------------------------------------------------------------------------------------------------------|
| Language | | <p>Set the menu language.</p> <ul style="list-style-type: none">— A change to the language setting will only be applied to the onscreen menu display.— It will not be applied to other functions on your PC. |
| Display Time | | <p>Set how long the menu window will remain on screen for when it is not in use.</p> |

System



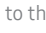
| 2nd | 3rd | Description |
|------------------------------------------------------------------------------------------|-----|-----------------------------------------------------------------------------------------------------------------------------------------------------------------------------------------------------------------------------------------------------------------------------------------------------------------------------------------------------------------------------------------------------------------|
| SeeColors Mode | | <p>Allows users with colour blindness to experience rich colours. Enable this feature to customise colours to suit your viewing conditions, to experience richer colours on the screen.</p> <ul style="list-style-type: none">— Some menus are not available when SeeColors Mode is in use.— This function may not be supported depending on the model. |
| Save Energy | | <p>Reduce power consumption by adjusting brightness settings.</p> |
|  Volume | | <p>Adjust the Volume controlling the 5-Way / JOG button LEFT/RIGHT.</p> <ul style="list-style-type: none">— To activate the Mute function, access the Volume control screen, then use the 5-Way / JOG button to move the focus down.— To deactivate the Mute function, access the Volume control screen, then increase or decrease the Volume. |
| USB Source Setup | | <p>Set up a USB port assigned to the video source.</p> <ul style="list-style-type: none">— S57CG95*N model only. |

| 2nd | 3rd | Description |
|------------------|-----------|-----------------------------------------------------------------------------------------------------------------------------------------------------------------------------------------------------------------------------------------------------------------------------------------------------------------------------------------------------------------------------------------------------------------------------------------------------------------------------------------------------------------------------------------------------------------------------------------------------------------------------------------------------------------------------------------------------------------------------------------------------------------------------------------------------------------------------------------------------------------------------------------------------------------------------------------------------------------------------------------------------------------------------------------------------------------------------------------|
| Off Timer Plus | Off Timer | <ul style="list-style-type: none"> • Off Timer: Turn on Off Timer mode. • Turn Off After: The off timer can be set within a range of 1 to 23 hours. The product will automatically power off after the specified number of hours. <ul style="list-style-type: none"> — This option is only available when Off Timer is set to On. — For products for the market in some regions, the Off Timer is set to automatically activate 4 hours after the product powers on. This is done in accordance with power supply regulations. If you do not want the timer to activate, go to  → System → Off Timer Plus and set Off Timer to Off. |
| | Eco Timer | <ul style="list-style-type: none"> • Eco Timer: Turn on Eco Timer mode. • Eco Off After: The Eco Off After can be set between 10 and 180 minutes. The product will automatically power off after the specified time has elapsed. <ul style="list-style-type: none"> — This option is only available when Eco Timer is set to On. |
| PC/AV Mode | | <p>Set PC/AV Mode to AV. The picture size will be enlarged.</p> <p>This option is useful when you view a movie.</p> <ul style="list-style-type: none"> — Products with a display area of 16:9 or 16:10 are only supported. — If the product is in HDMI, DisplayPort mode and the screen says Check the cable connection and the settings of the source device, press the 5-Way / JOG button to display the Function Key Guide screen and then select  → System → PC/AV Mode → HDMI, DisplayPort → PC or AV. — If input source is AV device, the screen may not display properly or there is no sound. Set PC/AV Mode to AV. |
| DisplayPort Ver. | | <p>Select your Displayport.</p> <ul style="list-style-type: none"> — Incorrect settings may cause the screen to go blank. If this occurs, check the device specifications. — If the product (in DisplayPort mode) is displaying the message Check the cable connection and the settings of the source device, press the 5-Way / JOG button to display the Function Key Guide screen and then select  → System → DisplayPort Ver.. — If setting the DisplayPort Ver. to 1.1, for the bandwidth limitation of the DisplayPort 1.1 protocol, the actual maximum output refreshing rate of the graphics cards cannot achieve the level of 120 Hz/240 Hz. — If the PC has entered BIOS mode and the BIOS screen does not appear, go to the following path and then select the mode.  → System → DisplayPort Ver.. |

| 2nd | 3rd | Description |
|----------------------------|------------------------|--------------------------------------------------------------------------------------------------------------------------------------------------------------------------------------------------------------------------------------------------------------------------------------------------------------------------------------------------------------------------------------------------------------------------------------------------------------------------------------------------------------------------------------------------------------------------------------------------------------------------------------------------------------------------------------------------------------------------------------|
| Input Port Ver. | | <p>Select an HDMI version. (1.4 / 2.0↑)</p> <ul style="list-style-type: none"> — The supportable device and resolution may differ depending on its version. — When the version is changed, the screen may blink. — If you set the HDMI Mode to 1.4, some high resolutions may not be supported because of bandwidth limitation of the HDMI 1.4 protocol. — When the setting is not appropriate, a blank screen may appear. In this case, check the specifications of the device. — Set HDMI Mode to 1.4 if the monitor is connected to an HDMI device and the monitor does not display the screen properly, displays a blank screen, or does not play sound at all. |
| Auto Source Switch+ | | <p>By activating, a new connected source is displayed automatically.</p> <ul style="list-style-type: none"> — This feature is available only when the monitor is turned on. (S49CG93*S / S49DG91*S / S49DG93*S models only.) |
| Panel Care | | <p>Adjusts settings to protect the screen.</p> <ul style="list-style-type: none"> — S49CG93*S / S49DG91*S / S49DG93*S models only. |
| | Pixel Shift | <p>Moves pixels at regular intervals to prevent screen issues.</p> <ul style="list-style-type: none"> — When the Pixel Shift mode is used, some of the screen edges may move outside the screen borders and may not be visible. To fix the screen at the home position, turn off the Pixel Shift mode. — To prevent afterimage when viewing content with a lot of static images, turn on the Pixel Shift mode. — S49CG93*S model only. |
| | Logo Brightness | <p>Prevents screen issues by lowering the brightness of fixed images, such as logos and banners.</p> |
| | Pixel Refresh | <p>Adjusts pixels to provide a clearer screen.</p> |
| Key Repeat Time | | <p>Control the response rate of a button when the button is pressed.</p> <p>Acceleration, 1 sec, or 2 sec can be selected. If No Repeat is selected, a command responds only once when a button is pressed.</p> |

| 2nd | 3rd | Description |
|---------------------------|-----|----------------------------------------------------------------------------------------------------------------------------------------------------------------------------------------------------------------------------------------------------------------------------------------------------------------------------------------------------------------------------------------------------------------------------------------------------------------------------------------------------------------------------------------------------------------------------------------------------------------------------------------------------------------------------------------------------------|
| Power LED On | | <p>Configure the settings to enable or disable the power LED located at the lower part of the product.</p> <ul style="list-style-type: none"> • Working: The power LED is on when the product is turned on. • Stand-by: The power LED is on when the product is turned off. <p>— If the product is off or in DPMS mode and the power LED is kept on or off for 10 to 15 minutes, Panel Care mode is running. (S49CG93*S / S49DG91*S / S49DG93*S models only.)</p> |
| Setup Custom Key | | <p>Set the custom key so that your chosen function can be set up directly.</p> <ul style="list-style-type: none"> • Eye Saver Mode / PIP/PBP / Switch USB / Refresh Rate / Black Equalizer / Virtual Aim Point / Infinity Core Lighting / Auto Source Switch+ / Picture Mode / Response Time — S57CG95*N model only. • Eye Saver Mode / PIP/PBP / Low Input Lag / Black Equalizer / Virtual Aim Point / Infinity Core Lighting / Auto Source Switch+ / Picture Mode — S49CG93*S / S49DG93*S models only. • Eye Saver Mode / PIP/PBP / Black Equalizer / Virtual Aim Point / Auto Source Switch+ / Picture Mode — S49DG91*S model only. |
| VRR Control | | <p>By optimising the video signal processing, this additional function mitigates screen flicker.</p> <p>While playing any game or content that causes screen flicker, use the VRR Control function with setting it to On.</p> <p>— S49CG93*S / S49DG91*S / S49DG93*S models only.</p> |
| Best Brightness | | <p>Optimises brightness in real time, based on your lighting environment.</p> <p>— S57CG95*N model only.</p> |
| Minimum Brightness | | <p>Set the minimum brightness for Monitor screen. This function only works if its value is lower than the value set in the Picture menu's Backlight setting.</p> <p>— This option is available when Best Brightness is set to On.</p> <p>— S57CG95*N model only.</p> |

Support

| 2nd | 3rd | Description |
|-------------------------|-----|----------------------------------------------------------------------------------------------------------------------------------------------------------------------------------------------------------------------------------------------------------------------------------------------------------------------------------------------------------------------------------------------------------------------------------------------------------------------------------------------------------------------------------------------------------------------------------------------------------------------------------------------------------------------------------------------------------------------------------------------------------------------------------------------------------------------------------------------------------------------------------------------------------------------------------------------------------------------------------------------------------------------------------------------------------------------------------------------------------------------------------------------------------------------------------------------------------------------------------------------------------------------------------------------------------------------------------------------------------------------------------------------------------------------------------------------------------------------------------------------------------------------------------------------------------------------------------------------------------------------------------------------------------------------------------------------------------------------------------------------------------------------------------------------------------------------------------------------------------------------------------------------------------------------------------------------------------------------------------------------------------------------------------------------------------------------------------------------------------------------------------------------------------------------------------------------------------------------------------------------------------------------------------------------------------------------------------------------------------------------------------------------------------------------------------------------------------------------------------------------------------------------------------------------------------------------------------|
| Self Diagnosis | | <p>Perform this test when you experience a problem with your monitor's picture.</p> <ul style="list-style-type: none">Never turn off the power nor change the input source during self diagnosis. If possible, try not to interrupt testing. |
| Software Update | | <p>Update software using an update file on a USB device.</p> <ol style="list-style-type: none">Save the update file (in .bin or .img format) that you downloaded from the Samsung website (http://www.samsung.com) to a USB storage device.Connect the USB device to the  (SERVICE) port on the monitor. Select  → Support → Software Update.<ul style="list-style-type: none">Provided ports may vary depending on the product.Follow the instructions on the screen to proceed with update.Your product will turn itself off and on again automatically after completing update, and then turn off your product.Remove the power cord from the power outlet and then reconnect the cord after turning off. <ul style="list-style-type: none">To perform software update by using a USB memory, first format the USB memory to FAT32.When updating by a USB device, be sure to use the device whose version of USB 2.0. (S49CG93*S / S49DG91*S / S49DG93*S models only.)When performing update, make sure that only one BIN or IMG file (.bin or .img) is saved in the root directory.Upon updates, save only either the .bin or .image file, downloaded from the Samsung website, to the root directory.If the No update files found on your USB device. Please check your USB device and try again. message is displayed, this is probably due to the following reasons.<ul style="list-style-type: none">A USB memory is not connected to the  (SERVICE) port.The files in the connected USB memory are not compatible formats.There are no valid update files found in the connected USB memory. (There are no update files saved in the memory or the file names are incorrect.)Do not turn off the product until the update is complete. And prevent the updating from any interruption as far as possible. In general, the product returns to the previous version if an update is interrupted.It may change the screen colour or blink during USB update, but it is not a monitor problem. Since S/W update is performed normally, please wait until the update is finished. |
| Information | | View product information like model name. |
| Register Product | | Discover how to register your product. |
| Reset All | | Return all the settings for the product to the default factory settings. |

Installing the Software

Easy Setting Box



Easy Setting Box enables users to use the product by partitioning multiple sections.

To install the latest version of Easy Setting Box, download it from the Samsung website.

(<http://www.samsung.com>)

- The software may not work properly if you do not restart the PC after the installation.
- The Easy Setting Box icon may not appear depending on the PC system and the product specifications.
- If the shortcut icon does not appear, press the F5 key.

Restrictions and Problems with the Installation

The Easy Setting Box installation may be affected by the Graphics Card, Motherboard and the Networking Environment.

System Requirements

| OS | Hardware |
|-------------------------------------------------------------------------------------------------------------------------------------------------------------------------------------------------------------|----------------------------------------------------------------------------------------------------------------------------------------|
| <ul style="list-style-type: none">• Windows 7 32Bit/64Bit• Windows 8 32Bit/64Bit• Windows 8.1 32Bit/64Bit• Windows 10 32Bit/64Bit• Windows 11 32Bit/64Bit | <ul style="list-style-type: none">• At least 32MB of memory• At least 60MB of free space on the hard disk drive |

Driver Installation

To install the latest version of the product driver, download it from the Samsung website.

(<http://www.samsung.com>)

- You can set the optimum resolution and frequency for this product by installing the corresponding drivers.

Troubleshooting Guide

Requirements Before Contacting Samsung Customer Service Centre

— Before calling Samsung Customer Service Centre, test your product as follows. If the problem persists, contact Samsung Customer Service Centre.

Product diagnosis (Screen issue)

If a problem occurs with the monitor screen, run [Self Diagnosis](#) to check that the monitor is working properly.

Checking the Resolution and Frequency

If a resolution that is not supported (see the [Standard Signal Mode Table](#)) is selected, the **Not Optimum Mode** message may appear for a short time or the screen may not be displayed properly.

— The displayed resolution may vary, depending on the PC system settings and cables.

Check the following.

Caution

When the product makes popping (cracking) sound.

The sound may be caused by contraction or expansion from temperature change of external components or internal circuit of the product.

This is NOT a product failure and does not affect the life of the product.

Installation issue (PC mode)

Blank spaces are found on all four sides of the screen when an HDMI cable is connected to the product and PC.

The blank spaces found on the screen have nothing to do with the product.

Blank spaces on the screen are caused by the PC or graphics card. To resolve the problem, adjust the screen size in the HDMI settings for the graphics card.

If the graphics card settings menu does not have an option to adjust the screen size, update the graphics card driver to the latest version.

(Please contact the graphics card or PC manufacturer for further details about how to adjust the screen settings.)

Screen issue

The power LED is off. The screen will not turn on.

Check that the power cable is connected properly.

If a problem occurs with the monitor screen, run [Self Diagnosis](#) to check that the monitor is working properly.

The message [Check the cable connection and the settings of the source device](#) appears.

Check that the cable is properly connected to the product.

If the monitor is in **HDMI** or **DisplayPort** mode, press the 5-Way / JOG button to display the Function Key Guide screen and select the  → **System** → **PC/AV Mode** → **HDMI, DisplayPort** → **PC** or **AV**.

Not Optimum Mode is displayed.

This message appears when the signal from the graphics card exceeds the maximum resolution or frequency for the product.

Change the maximum resolution and frequency to suit the product performance, referring to Standard Signal Mode Table ([P.49](#)).

The images on the screen look distorted.

Check the cable connection to the product.

The screen is not clear. The screen is blurry.

Remove any accessories (video extension cable, etc.) and try again.

Set the resolution and frequency to the recommended level.

The screen appears unstable and shaky. There are shadows or ghost images left on the screen.

Check that the resolution and frequency for the PC are within the range of resolution and frequency compatible with the product. Next, if required, change the settings, referring to Standard Signal Mode Table ([P.49](#)) in this manual and the **Information** menu on the product.

Change the **Response Time** in the Display OSD to **Faster** or **Standard** depending on your application and usage.

— Available functions may differ depending on the model.

The screen is too bright. The screen is too dark.

Adjust **Brightness** and **Contrast**.

Screen colour is inconsistent.

Change the **Color** settings.

The colours on the screen have a shadow and are distorted.

Change the **Color** settings.

White does not really look white.

Change the **Color** settings.

There is no image on the screen and the power LED blinks every 0.5 to 1 second.

Check the cable connection between the product and PC, and ensure the connectors are locked.

Press any key on the keyboard or move the mouse to return to normal operating mode.

The product is operating in power-saving mode.

Text is blurry.

If using a Windows OS (e.g. Windows 7, Windows 8, Windows 8.1 or Windows 10): Go to **Control Panel** → **Fonts** → **Adjust ClearType text** and change **Turn on ClearType**.

Video playback is choppy.

Playback of high-definition large video files can be choppy. This may be because the video player is not optimised for the PC resource.

Try playing the file on another video player.

When setting the PIP Screen Size, the screen does not fit the PIP size.

Depending on the graphic card or graphic card driver, it may not be automatically set to the Optimum resolution. If you set it properly for the first time, there will be no problems thereafter.

Sound issue

There is no sound.

Re-check the condition of the connected headphone or earphone or adjust the volume.

Check the volume.

Check whether the volume of the product or the source device is set to mute.

The volume is too low.

Adjust the volume.

If the volume is still low after turning it up to the maximum level, adjust the volume on your PC sound card or software.

Video is available but there is no sound.

Sound cannot be heard if an HDMI-DVI cable is used to connect the input device.

Connect the device using an HDMI cable or a DP cable.

Source device issue

A beeping sound is heard when my PC is booting.

If a beeping sound is heard when your PC is booting, have your PC serviced.

Q & A

- Refer to the user manual for your PC or graphics card for further instructions on adjustment.
- The path to the settings depends on the installed OS.
- This function may not be supported depending on the model.

How can I change the frequency?

Set the frequency on your graphics card.

- Windows 7: Go to **Control Panel** → **Appearance and Personalization** → **Display** → **Screen Resolution** → **Advanced settings** → **Monitor**, and adjust **Screen Refresh Rate** under **Monitor settings**.
- Windows 8(Windows 8.1): Go to **Settings** → **Control Panel** → **Appearance and Personalization** → **Display** → **Screen Resolution** → **Advanced settings** → **Monitor**, and adjust **Refresh rate** under **Monitor settings**.
- Windows 10: Go to **Settings** → **System** → **Display** → **Advanced display settings** → **Display adapter properties** → **Monitor**, and adjust **Screen refresh rate** under **Monitor settings**.

How can I change the resolution?

- Windows 7: Go to **Control Panel** → **Appearance and Personalization** → **Display** → **Screen Resolution** → **Adjust Resolution**.
- Windows 8(Windows 8.1): Go to **Settings** → **Control Panel** → **Appearance and Personalization** → **Display** → **Adjust Resolution**, and adjust the resolution.
- Windows 10: Go to **Settings** → **System** → **Display** → **Advanced display settings**, and adjust the resolution.

How do I set power-saving mode?

- Windows 7: Go to **Control Panel** → **Appearance and Personalization** → **Personalization** → **Screen Saver Settings** → **Power options** or **BIOS SETUP** on the PC.
 - Windows 8(Windows 8.1): Go to **Settings** → **Control Panel** → **Appearance and Personalization** → **personalise** → **Screen Saver Settings** → **Power options** or **BIOS SETUP** on the PC.
 - Windows 10: Go to **Settings** → **Personalization** → **Lock screen** → **Screen timeout settings** → **Power & sleep** or **BIOS SETUP** on the PC.
-

Specifications

General

| Model Name | S57CG95*N | S49CG93*S / S49DG93*S | S49DG91*S |
|--------------------------|------------------------------------------------------------------------------------------------------------------------------------------------------------------------------------------------------------------------------|-------------------------------------------------------------------------------------------------------------------------------|-----------------------------------------------------------------------------------------------------------------------------------------------------------------------------------------------------------------------------|
| Size | 57 Class (57 Inches / 144.8 cm) | 49 Class (48.9 Inches / 124.3 cm) | 49 Class (48.9 Inches / 124.3 cm) |
| Display area | 1394.6112 mm (H) x 392.2344 mm (V) | 1196.7 mm (H) x 339.2 mm (V) | 1196.7 mm (H) x 339.2 mm (V) |
| Pixel Pitch | 0.06053 mm (H) x 0.18159 mm (V) | 0.233 mm (H) x 0.233 mm (V) | 0.233 mm (H) x 0.233 mm (V) |
| Maximum Pixel Clock | 2500 MHz | 69.16 MHz | 1240 MHz |
| Power Supply | AC100-240V~ 50/60Hz Refer to the label at the back of the product as the standard voltage can vary in different countries. | AC100-240V~ 50/60Hz Based on the AC voltage of the adapter. For the DC voltage of the product, refer to the product label. | |
| Signal connectors | HDMI, DisplayPort, Micro HDMI (S49CG93*S / S49DG91*S / S49DG93*S models only.) | | |
| Environmental conditions | Operating Temperature: 10 °C to 40 °C (50 °F to 104 °F) Humidity: 10 % to 80 %, non-condensing Storage Temperature: -20 °C to 45 °C (-4 °F to 113 °F) Humidity: 5 % to 95 %, non-condensing | | Operating Temperature: 0 °C to 40 °C (32 °F to 104 °F) Humidity: 10 % to 80 %, non-condensing Storage Temperature: -20 °C to 45 °C (-4 °F to 113 °F) Humidity: 5 % to 95 %, non-condensing |

- Plug-and-Play

This product can be installed and used with any Plug-and-Play compatible systems. Two-way data exchange between the product and PC system optimises the product settings. Product installation takes place automatically. However, you can customise the installation settings if desired.

- Panel Dots (Pixels)

Due to the nature of the manufacturing of this product, approximately 1 pixel per million (1ppm) may be brighter or darker on the panel. This does not affect product performance.

- Audio is played with the same sound settings as the connected device. Audio sound settings (e.g. the bit and sample rates) can be changed from the connected device.

- The above specifications are subject to change without notice to improve quality.

- For detailed device specifications, visit the Samsung website.

- Open Source Licence Notice

Open Source used in this product can be found on the following webpage (<https://opensource.samsung.com>).



The terms HDMI, HDMI High-Definition Multimedia Interface, HDMI trade dress and the HDMI Logos are trademarks or registered trademarks of HDMI Licensing Administrator, Inc.



Standard Signal Mode Table

| Model Name | | S57CG95*N | S49CG93*S / S49DG93*S | S49DG91*S |
|------------------------------|--------------------|------------------------------------|--------------------------------------------------------|--------------------------------------------------------|
| Synchronization (PANEL Spec) | Vertical Frequency | 48 ~ 240 Hz | 240 Hz | 48 ~ 144 Hz |
| Resolution | Optimum resolution | 7680 x 2160 @ 120 Hz (HDMI1) | 5120 x 1440 @ 120 Hz (HDMI1, MICRO HDMI2, DisplayPort) | 5120 x 1440 @ 144 Hz (HDMI1, MICRO HDMI2, DisplayPort) |
| | Maximum resolution | 7680 x 2160 @ 240 Hz (HDMI2,3) | 5120 x 1440 @ 240 Hz | 5120 x 1440 @ 144 Hz |
| | | 7680 x 2160 @ 240 Hz (DisplayPort) | | |

When using dual monitors from your computer while in DSC mode at 2560 x 1440 @ 240 Hz or higher or when using PBP mode from the computer, the computer may not function properly due to the output limit of the computer graphics card. If this happens, decrease the resolution and refresh rate from the computer.

If a signal that belongs to the following standard signal modes is transmitted from your PC, the screen will automatically be adjusted. If the signal transmitted from the PC does not belong to the standard signal modes, the screen may be blank even though the power LED turns on. In such a case, change the settings according to the following table by referring to the graphics card user manual.

S57CG95*N

| Resolution | Horizontal Frequency (kHz) | Vertical Frequency (Hz) | Pixel Clock (MHz) | Sync Polarity (H/V) | Port | | |
|-------------------|-------------------------------|----------------------------|----------------------|------------------------|-----------|-------------|-------|
| | | | | | HDMI IN 1 | HDMI IN 2,3 | DP IN |
| VESA, 640 x 480 | 31.468 | 59.940 | 25.175 | -/- | 0 | 0 | 0 |
| VESA, 640 x 480 | 37.500 | 75.000 | 31.500 | -/- | 0 | 0 | 0 |
| VESA, 800 x 600 | 37.879 | 60.317 | 40.000 | +/+ | 0 | 0 | 0 |
| VESA, 800 x 600 | 48.077 | 72.188 | 50.000 | +/+ | 0 | 0 | 0 |
| VESA, 800 x 600 | 46.875 | 75.000 | 49.500 | +/+ | 0 | 0 | 0 |
| VESA, 1024 x 768 | 48.363 | 60.004 | 65.000 | -/- | 0 | 0 | 0 |
| VESA, 1024 x 768 | 56.476 | 70.069 | 75.000 | -/- | 0 | 0 | 0 |
| VESA, 1024 x 768 | 60.023 | 75.029 | 78.750 | +/+ | 0 | 0 | 0 |
| VESA, 1280 x 1024 | 63.981 | 60.02 | 108.000 | +/+ | 0 | 0 | 0 |
| VESA, 1280 x 1024 | 79.976 | 75.025 | 135.000 | +/+ | 0 | 0 | 0 |
| VESA, 1152 x 864 | 67.500 | 75.000 | 108.000 | +/+ | 0 | 0 | 0 |
| VESA, 1280 x 720 | 45.000 | 60.000 | 74.250 | +/+ | 0 | 0 | 0 |
| VESA, 1280 x 800 | 49.702 | 59.810 | 83.500 | -/+ | 0 | 0 | 0 |

| Resolution | Horizontal Frequency (kHz) | Vertical Frequency (Hz) | Pixel Clock (MHz) | Sync Polarity (H/V) | Port | | |
|-----------------------------------|-------------------------------|----------------------------|----------------------|------------------------|-----------|-------------|-------|
| | | | | | HDMI IN 1 | HDMI IN 2,3 | DP IN |
| VESA, 1440 x 900 | 55.935 | 59.887 | 106.500 | -/+ | 0 | 0 | 0 |
| VESA, 1600 x 900 | 60.000 | 60.000 | 108.000 | +/+ | 0 | 0 | 0 |
| VESA, 1680 x 1050 | 65.290 | 59.924 | 146.250 | -/+ | 0 | 0 | 0 |
| VESA, 1920 x 1080 | 67.500 | 60.000 | 148.500 | +/+ | 0 | 0 | 0 |
| VESA, 1920 x 1080 | 135.000 | 120.000 | 297.000 | +/+ | 0 | 0 | 0 |
| VESA, 1920 x 1080 | 266.613 | 240.000 | 565.220 | +/- | - | 0 | 0 |
| VESA, 2560 x 1440 | 88.787 | 59.951 | 241.500 | +/- | 0 | 0 | 0 |
| VESA, 2560 x 1440 | 182.996 | 119.998 | 497.750 | +/- | 0 | 0 | 0 |
| VESA, 2560 x 1440 | 389.000 | 240.000 | 1060.000 | +/- | - | 0 | 0 |
| VESA, 3840 x 1080 | 66.625 | 59.968 | 266.500 | +/- | 0 | 0 | 0 |
| VESA, 3840 x 1080 | 137.250 | 119.974 | 549.000 | +/- | 0 | 0 | 0 |
| VESA, 3840 x 1080 | 291.562 | 240.000 | 1166.250 | +/- | - | 0 | 0 |
| CEA, 3840 x 2160 | 67.500 | 30.000 | 297.000 | +/+ | 0 | 0 | 0 |
| VESA, 3840 x 2160 | 133.313 | 59.997 | 533.250 | +/- | 0 | 0 | 0 |
| VESA, 3840 x 2160 | 270.000 | 120.000 | 1188.000 | +/+ | 0 | 0 | 0 |
| Unique Custom Timing, 3840 x 2160 | 540.000 | 240.000 | 2376.000 | +/- | - | 0 | 0 |
| Unique Custom Timing, 5120 x 1440 | 88.826 | 59.977 | 469.000 | +/- | 0 | 0 | 0 |
| Unique Custom Timing, 5120 x 1440 | 182.955 | 119.970 | 966.000 | +/- | 0 | 0 | 0 |
| Unique Custom Timing, 5120 x 1440 | 356.523 | 240.000 | 2018.500 | +/- | - | 0 | 0 |
| Unique Custom Timing, 7680 x 2160 | 133.320 | 60.000 | 1045.229 | +/- | 0 | 0 | 0 |
| Unique Custom Timing, 7680 x 2160 | 270.000 | 120.000 | 2224.750 | +/- | 0 | 0 | 0 |
| Unique Custom Timing, 7680 x 2160 | 540.000 | 240.000 | 4233.600 | +/- | - | 0 | 0 |

S49CG93*S / S49DG93*S

| Resolution | Horizontal Frequency (kHz) | Vertical Frequency (Hz) | Pixel Clock (MHz) | Sync Polarity (H/V) | Port | |
|------------------------------|-------------------------------|----------------------------|----------------------|------------------------|-------------------|-------|
| | | | | | HDMI / MICRO HDMI | DP IN |
| VESA, 640 x 480 | 31.469 | 59.940 | 25.175 | -/- | 0 | 0 |
| VESA, 640 x 480 | 37.500 | 75.000 | 31.500 | -/- | 0 | - |
| VESA, 800 x 600 | 37.879 | 60.317 | 40.000 | +/+ | 0 | 0 |
| VESA, 800 x 600 | 48.077 | 72.188 | 50.000 | +/+ | - | - |
| VESA, 800 x 600 | 46.875 | 75.000 | 49.500 | +/+ | - | - |
| VESA, 1024 x 768 | 48.363 | 60.004 | 65.000 | -/- | - | 0 |
| VESA, 1024 x 768 | 56.476 | 70.069 | 75.000 | -/- | - | - |
| VESA, 1024 x 768 | 60.023 | 75.029 | 78.750 | +/+ | - | - |
| VESA, 1152 x 864 | 67.500 | 75.000 | 108.000 | +/+ | - | - |
| VESA, 1280 x 720 | 45.000 | 60.000 | 74.250 | +/+ | 0 | 0 |
| VESA, 1280 x 800 | 49.702 | 59.810 | 83.500 | -/+ | 0 | 0 |
| VESA, 1280 x 1024 | 63.981 | 60.020 | 108.000 | +/+ | 0 | 0 |
| VESA, 1280 x 1024 | 79.976 | 75.025 | 135.000 | +/+ | - | - |
| VESA, 1440 x 900 | 55.935 | 59.887 | 106.500 | -/+ | 0 | 0 |
| VESA, 1600 x 900RB | 60.000 | 60.000 | 108.000 | +/+ | 0 | 0 |
| VESA, 1680 x 1050 | 65.290 | 59.954 | 146.250 | -/+ | 0 | 0 |
| VESA, 2560 x 1440RB | 88.787 | 59.951 | 241.500 | +/- | 0 | 0 |
| VESA, 2560 x 1440RB | 182.996 | 182.996 | 497.750 | +/- | 0 | 0 |
| Custom Timing, 2560 x 1440RB | 388.511 | 239.970 | 1056.75 | +/- | 0 | 0 |
| CEA, 720 x 576 | 31.250 | 50.000 | 27.000 | -/- | - | - |

| Resolution | Horizontal Frequency (kHz) | Vertical Frequency (Hz) | Pixel Clock (MHz) | Sync Polarity (H/V) | Port | |
|----------------------------|-------------------------------|----------------------------|----------------------|------------------------|-------------------|-------|
| | | | | | HDMI / MICRO HDMI | DP IN |
| CEA, 720 x 480 | 31.469 | 59.940 | 27.000 | -/- | - | 0 |
| CEA, 1280 x 720 | 37.500 | 50.000 | 74.250 | +/+ | - | - |
| CEA, 1280 x 720 | 45.000 | 60.000 | 74.250 | +/+ | - | 0 |
| CEA, 1920 x 1080 | 56.250 | 50.000 | 148.500 | +/+ | 0 | - |
| CEA, 1920 x 1080 | 67.500 | 60.000 | 148.500 | +/+ | 0 | 0 |
| CEA, 1920 x 1080 | 135.000 | 120.003 | 297.000 | +/+ | 0 | 0 |
| Custom Timing, 1920 x 1080 | 291.596 | 239.997 | 606.520 | +/- | 0 | 0 |
| CEA, 3840 x 2160 | 112.500 | 50.000 | 594.000 | +/+ | 0 | - |
| CEA, 3840 x 2160 | 135.000 | 60.000 | 594.000 | +/+ | 0 | - |
| Custom Timing, 3840 x 1080 | 72.900 | 60.000 | 291.600 | +/- | 0 | 0 |
| Custom Timing, 3840 x 1080 | 145.800 | 120.000 | 583.200 | +/- | 0 | 0 |
| Custom Timing, 3840 x 1080 | 291.599 | 240.000 | 1185.060 | +/- | 0 | 0 |
| Custom Timing, 5120 x 1440 | 97.188 | 60.000 | 544.250 | +/- | 0 | 0 |
| Custom Timing, 5120 x 1440 | 194.370 | 120.000 | 1088.500 | +/- | 0 | 0 |
| Custom Timing, 5120 x 1440 | 388.795 | 240.000 | 2177.250 | +/- | 0 | 0 |

S49DG91*S

| Resolution | Horizontal Frequency (kHz) | Vertical Frequency (Hz) | Pixel Clock (MHz) | Sync Polarity (H/V) | Port | |
|--------------------|-------------------------------|----------------------------|----------------------|------------------------|-------------------|-------|
| | | | | | HDMI / MICRO HDMI | DP IN |
| VESA, 640 x 480 | 31.469 | 59.940 | 25.175 | -/- | 0 | 0 |
| VESA, 640 x 480 | 37.500 | 75.000 | 31.500 | -/- | 0 | 0 |
| VESA, 800 x 600 | 37.879 | 60.317 | 40.000 | +/+ | 0 | 0 |
| VESA, 800 x 600 | 48.077 | 72.188 | 50.000 | +/+ | 0 | 0 |
| VESA, 800 x 600 | 46.875 | 75.000 | 49.500 | +/+ | 0 | 0 |
| VESA, 1024 x 768 | 48.363 | 60.004 | 65.000 | -/- | 0 | 0 |
| VESA, 1024 x 768 | 56.476 | 70.069 | 75.000 | -/- | 0 | 0 |
| VESA, 1024 x 768 | 60.023 | 75.029 | 78.750 | +/+ | 0 | 0 |
| VESA, 1280 x 720 | 45.000 | 60.000 | 74.250 | +/+ | 0 | 0 |
| VESA, 1280 x 800 | 49.702 | 59.810 | 83.500 | -/+ | 0 | 0 |
| VESA, 1280 x 1024 | 63.981 | 60.020 | 108.000 | +/+ | 0 | 0 |
| VESA, 1280 x 1024 | 79.976 | 75.025 | 135.000 | +/+ | 0 | 0 |
| VESA, 1152 x 864 | 67.500 | 75.000 | 108.000 | +/+ | 0 | 0 |
| VESA, 1440 x 900 | 55.935 | 59.887 | 106.500 | -/+ | 0 | 0 |
| VESA, 1600 x 900RB | 60.000 | 60.000 | 108.000 | +/+ | 0 | 0 |
| VESA, 1680 x 1050 | 65.290 | 59.954 | 146.250 | -/+ | 0 | 0 |
| VESA, 1920 x 1080 | 67.500 | 60.000 | 148.500 | +/+ | 0 | 0 |
| CEA, 720 x 480 | 31.469 | 59.940 | 27.000 | -/- | 0 | 0 |
| CEA, 1280 x 720 | 45.000 | 60.000 | 74.250 | +/+ | 0 | 0 |
| CEA, 1920 x 1080 | 67.500 | 60.000 | 148.500 | +/+ | 0 | 0 |
| CEA, 1920 x 1080 | 135.000 | 120.000 | 297.000 | +/+ | 0 | 0 |

| Resolution | Horizontal Frequency (kHz) | Vertical Frequency (Hz) | Pixel Clock (MHz) | Sync Polarity (H/V) | Port | |
|----------------------------|-------------------------------|----------------------------|----------------------|------------------------|-------------------|-------|
| | | | | | HDMI / MICRO HDMI | DP IN |
| CEA, 3840 x 2160 | 67.500 | 30.000 | 297.000 | +/+ | 0 | 0 |
| CEA, 3840 x 2160 | 135.000 | 60.000 | 594.000 | +/+ | 0 | 0 |
| Custom Timing, 1920 x 1080 | 174.880 | 143.934 | 363.750 | +/- | 0 | 0 |
| Custom Timing, 2560 x 1440 | 213.265 | 144.000 | 580.080 | +/- | 0 | 0 |
| Custom Timing, 3840 x 1080 | 72.875 | 59.979 | 291.500 | +/- | 0 | 0 |
| Custom Timing, 3840 x 1080 | 145.750 | 119.959 | 583.000 | +/- | 0 | 0 |
| Custom Timing, 3840 x 1080 | 174.938 | 144.000 | 699.750 | +/- | 0 | 0 |
| Custom Timing, 5120 x 1440 | 97.188 | 60.000 | 544.250 | +/- | 0 | 0 |
| Custom Timing, 5120 x 1440 | 194.375 | 120.000 | 1088.500 | +/- | 0 | 0 |
| Custom Timing, 5120 x 1440 | 233.259 | 144.000 | 1306.250 | +/- | 0 | 0 |

Horizontal Frequency

The time required to scan a single line from the left to the right side of the screen is called a horizontal cycle. The reciprocal number of a horizontal cycle is called horizontal frequency. Horizontal frequency is measured in kHz.

Vertical Frequency

Repeating the same picture dozens of times per second allows you to view natural pictures. The repeat frequency is called "vertical frequency" or "refresh rate" and is indicated in Hz.

This product can be set to only one resolution for each screen size to obtain the optimum picture quality due to the nature of the panel. Using a resolution other than the specified resolution may degrade the picture quality. To avoid this, it is recommended that you select the optimum resolution specified for your product.

Appendix

Responsibility for the Pay Service (Cost to Customers)

— When the service is requested, in spite of in warranty, we may charge you for a visit from a service technician in the following cases.

Not a product defect

Cleaning of the product, Adjustment, Explanation, Re-installation and etc.

- If a service technician is requested to give instructions on how to use product or simply adjusts options without disassembling product.
- If a defect is caused by external environmental factors (Internet, Antenna, Wired Signal, etc.)
- If a product is reinstalled or devices are connected additionally after installing the purchased product for the first time.
- If a product is reinstalled to move to a different spot or to move to a different house.
- If the customer requests instructions on how to use another company's product.
- If customer requests instructions on how to use the network or another company's programme.
- If customer requests software installation and setup for the product.
- If a service technician removes/cleans dusts or foreign materials inside of the product.
- If customer requests an installation additionally after purchasing a product through home-shopping or online.

A Product damage caused by customer's fault

Product damage caused by customer's mishandling or wrong repair

If a product damage is caused by;

- External impact or drop.
- Use of supplies or separately sold product unspecified by Samsung.
- Repair from a person besides an engineer of outsourcing service company or partner of Samsung Electronics Co., Ltd.
- Remodeling or repairing the product by customer.
- Using it with incorrect voltage or non-authorized electrical connections.
- Not following the "cautions" in User Manual.

Others

- If product fails by natural disaster. (lightning, fire, earthquake, flood damage, etc)
- If consumable components are all used up. (Battery, Toner, Fluorescent lights, Head, Vibrator, Lamp, Filter, Ribbon, etc.)

— If customer requests a service in case the product has no defect, service fee may be charged. So please read User Manual first.

FreeSync (for AMD graphics card)

— This function may not be supported depending on the model.

FreeSync technology is solution that eliminates screen tearing without all the usual lag and latency.

This feature will eliminate screen tearing and lag during game play. Improve your gaming experience.

The displayed FreeSync menu items on the monitor may vary, depending on the monitor model and compatibility with the AMD graphics card.

- **Off:** Disable FreeSync.
- **On:** Turn on the AMD graphics cards' FreeSync function. You may experience intermittent flickers when playing some games.

Apply the optimum resolution when using FreeSync.

The refresh rate setting method please refer to Q & A → [How can I change the frequency?](#)

— This menu is not available when **PIP/PBP** is enabled.

— The FreeSync function is only enabled in **HDMI** or **DisplayPort** mode.

Use the HDMI/DP cable provided by the manufacturer when using FreeSync.

— If the FreeSync function is in use and the text displayed on the PC screen looks blurry or corrupted, resolve the issue by changing the resolution of the PC screen to the recommended resolution.

— If the **DisplayPort Ver.** is set to **1.2**, the **FreeSync Premium Pro** mode is disabled. (S57CG95*N model only.)

— If the **DisplayPort Ver.** is set to **1.1**, the **FreeSync Premium Pro** mode is disabled. (S49CG93*S / S49DG91*S / S49DG93*S models only.)

— If you set the **HDMI Mode** to **1.4**, the **FreeSync Premium Pro** mode is disabled.

If you use the FreeSync function while playing a game, the following symptoms may occur:

- The screen may flicker depending on the type of graphics card, the game option settings, or the video being played. Try the following actions: decrease the game setting values, change the current **FreeSync Premium Pro** mode to **Off**, or visit the AMD website to check your graphics driver's version and update it with the latest one.
- While you are using the FreeSync function, the screen may flicker due to variation of the output frequency from the graphics card.

- The response rate during the game may fluctuate depending on the resolution. A higher resolution generally decreases the response rate.

- The sound quality of the monitor may be degraded.

— If you encounter any issues when using the function, contact the Samsung Service Centre.

— If you change the screen resolution while the function is **On**, the screen may intermittently blank out due to the graphic card. Set **FreeSync Premium Pro** to **Off** and change the resolution.

— The function is unavailable in the devices (e.g. AV devices) that have no AMD graphic card. If the function is applied, the screen may have malfunction.

The models in the Graphics Cards list supports FreeSync

FreeSync can only be used with specific AMD graphics card models. Refer to the following list for supported graphics cards:

Make sure to install the latest official graphics drivers from AMD that support FreeSync.

— For additional AMD graphics card models that support the FreeSync feature, visit the official AMD website.

— Select **FreeSync Premium Pro Off** if you are using a graphics card from a different manufacturer.

— When applying the FreeSync function through the HDMI cable, it may fail to work due to the bandwidth limitation of certain AMD graphics card.

- Radeon™ RX Vega series
- Radeon™ RX 500 series
- Radeon™ RX 400 series
- Radeon™ R9/R7 300 series (excluding R9 370/X, R7 370/X, R7 265)
- Radeon™ Pro Duo (2016 edition)
- AMD Radeon™ RX 6000 series
- Radeon™ R9 Nano series
- Radeon™ R9 Fury series
- Radeon™ R9/R7 200 series (excluding R9 270/X, R9 280/X)
- AMD Radeon RX 7900 series
- AMD Radeon™ 5600 series
- AMD Radeon™ RX 7000 series

Adaptive-Sync (for NVIDIA graphics card)

— This function may not be supported depending on the model.

Adaptive-Sync technology is solution that eliminates screen tearing without all the usual lag and latency.

This feature will eliminate screen tearing and lag during game play. Improve your gaming experience.

The displayed **Adaptive-Sync** menu items on the product may vary, depending on the product model and compatibility with the NVIDIA graphics card.

- **Off**: Disable **Adaptive-Sync**.
- **On**: Enable the **Adaptive-Sync** feature with a higher screen frame rate. Screen tearing (abnormal sync between the screen and content) is reduced in this mode. Note, however, that intermittent screen flickering may occur during gameplay.

If you use the **Adaptive-Sync** function while playing a game, the following symptoms may occur:

- The screen may flicker depending on the type of graphics card, the game option settings, or the video being played. Try the following actions: decrease the game setting values, or visit the NVIDIA website to check your graphics driver's version and update it with the latest one.
- When using the **Adaptive-Sync** function, the screen may flicker due to the fluctuation of output frequency from the graphics card.
- The response rate during the game may fluctuate depending on the resolution. A higher resolution generally decreases the response rate.
- The sound quality of the product may be degraded.

— If you encounter any issues when using the function, contact the Samsung Service Centre.

— When the resolution is changed while setting **Adaptive-Sync**, the screen tearing can happen intermittently. Set **Adaptive-Sync** to **Off** and change the resolution.

— The function is unavailable in the devices (e.g. AV devices) that have no NVIDIA graphics card. If the function is applied, the screen may have malfunction.

— Depending on the source device, 4K output from an AV device is supported only when the **Adaptive-Sync** is **Off**.

— Use the DisplayPort cable provided by the manufacturer when using **Adaptive-Sync**.

— Install the latest NVIDIA graphics card driver to enable **Adaptive-Sync**.

— Use Window 10 or higher to enable **Adaptive-Sync**.

— If the **Adaptive-Sync** function is in use and the text displayed on the PC screen looks blurry or corrupted, resolve the issue by changing the resolution of the PC screen to the recommended resolution.

— If the **DisplayPort Ver.** is set to **1.1**, the **Adaptive-Sync** mode is disabled.

— If you set the **HDMI Mode** to **1.4**, the **Adaptive-Sync** mode is disabled.

The models in the Graphics Cards list supports Adaptive-Sync

Adaptive-Sync can only be used with specific NVIDIA graphics card models. Refer to the following list for supported graphics cards:

Make sure to install the latest official graphics drivers from NVIDIA that support **Adaptive-Sync**.

— For additional NVIDIA graphics card models that support the **Adaptive-Sync** feature, visit the official NVIDIA website.

— Select **Adaptive-Sync Off** if you are using a graphics card from a different manufacturer.

— When applying the **Adaptive-Sync** function through the DisplayPort cable, it may fail to work due to the bandwidth limitation of certain NVIDIA graphics card.

- GeForce GTX 10 series
- GeForce RTX 20 series
- GeForce RTX 30 series
- GeForce RTX 40 series