

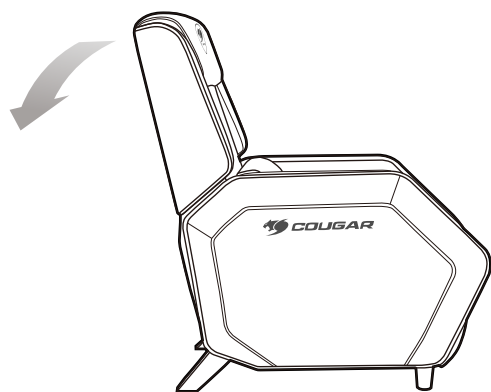


RANGER

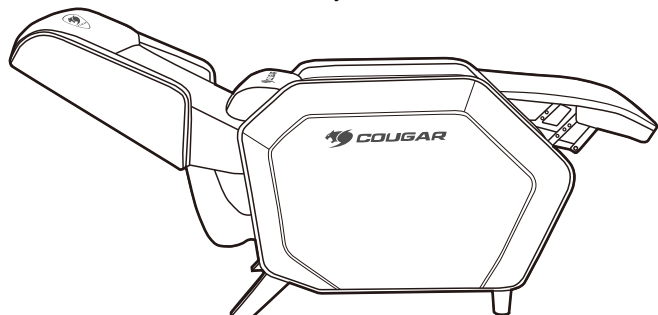
GAMING SOFA

FEATURES

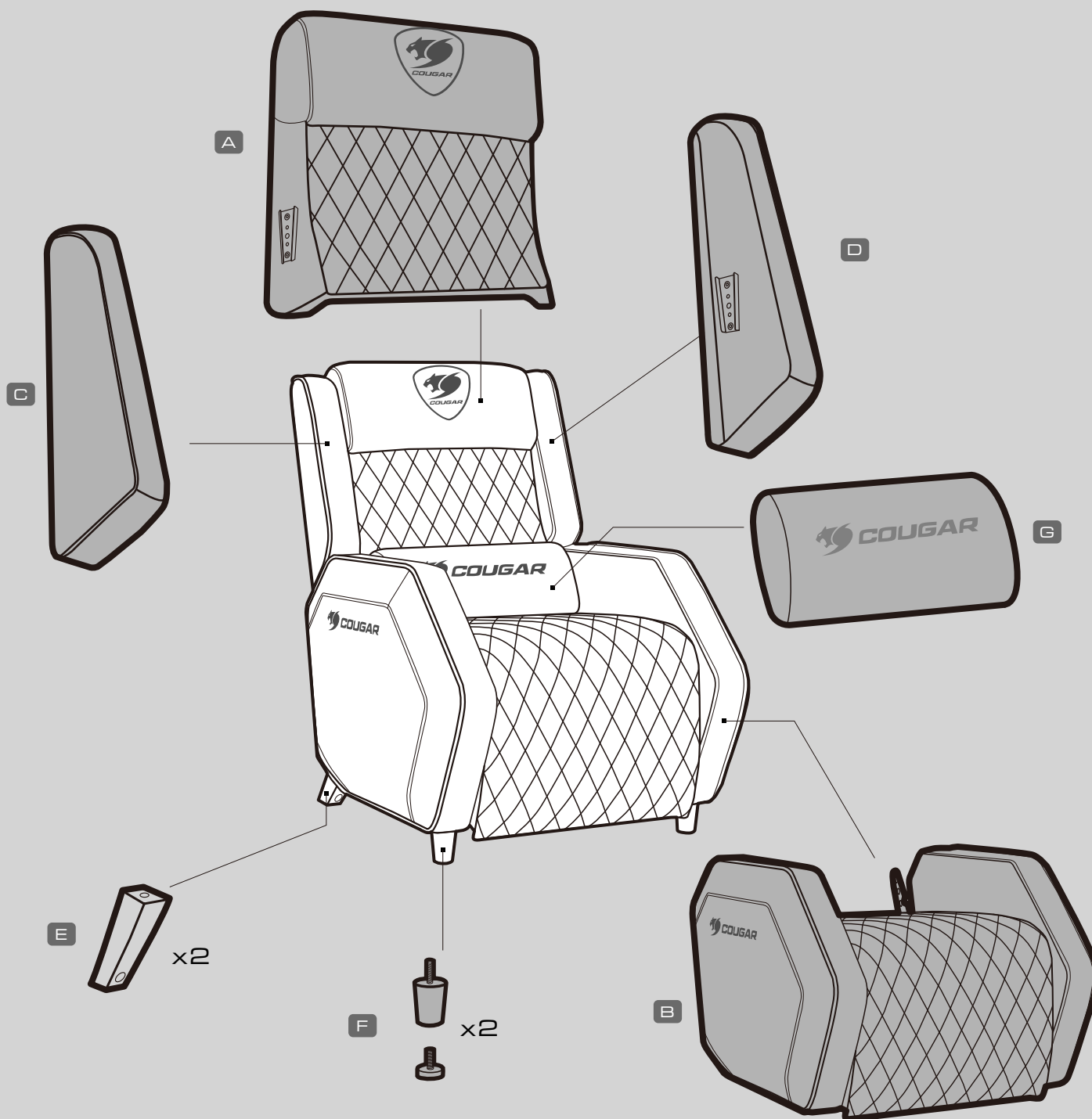
■ Recliner system 95°



■ Recliner system 160°



ASSEMBLY DRAWING



ACCESSORY KIT

1			x2	4			x2
2			x2	5			
3			x2				

DISTRIBUTOR



Ranger provides with the full range of comfort for console gamers, mobile gamers, handheld gamers or PC gamers. We use premium materials, such as steel frame, high-quality components, foldable footrest, and tilted backrest. Ranger brings you the comfort you need to thoroughly enjoy long gaming sessions. Ranger is ready for fight!

ENGLISH

- Unparalleled Comfort
- Headrest & Lumbar Design
- Recliner system 95°-160°
- Breathable Premium PVC Leather
- Embroidered Logo
- Diamond Check Pattern Design
- Support for up to 160kg

ESPAÑOL

- Comodidad incomparable
- Reposacabezas y disco lumbar
- Sistema reclinable 95° - 160°
- Cuero de PVC Premium transpirable
- Logotipo bordado
- Disco de patrón de verificaciyn de diamante
- Soporte para hasta 160kg.

PORTUGUÊS

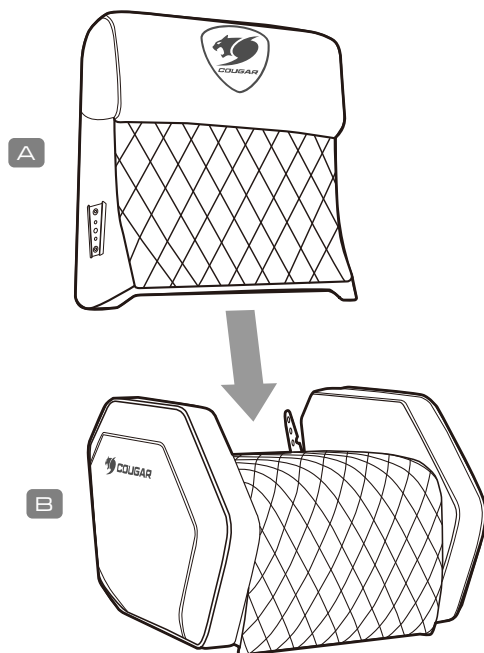
- Conforto incomparável
- Apoio de cabeça e design lombar
- Sistema reclinável 95° - 160°
- Couro respirável premium em PVC
- Logotipo bordado
- Design de padrão de verificasro de diamante
- Suporte para até 160kg

ITALIANO

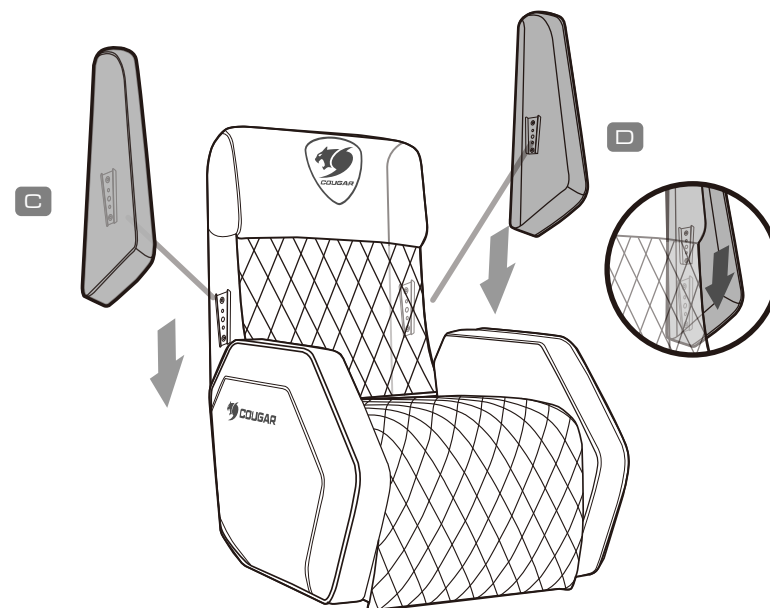
- Comfort senza pari
- Poggiatesta e design lombare
- Sistema di reclinazione 95° - 160°
- Pelle in PVC Premium traspirante
- Logo ricamato
- Design a quadri con motivo a quadri
- Supporto fino a 160kg

ASSEMBLING INSTRUCTION

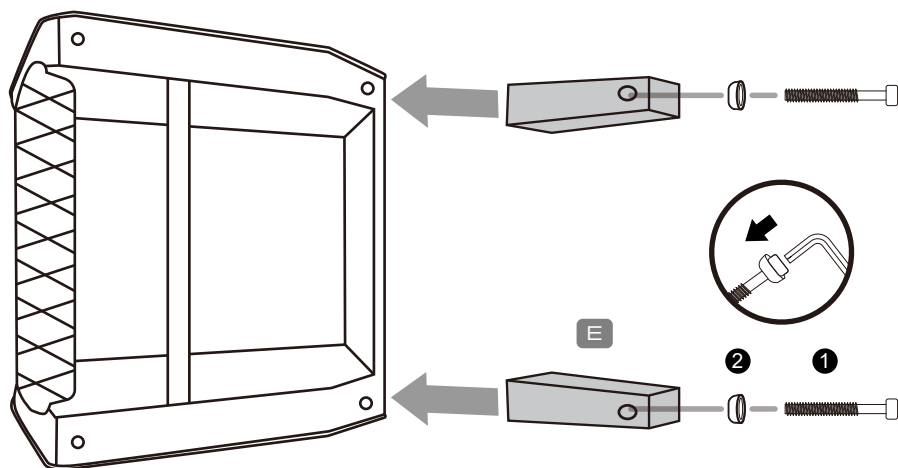
1



2

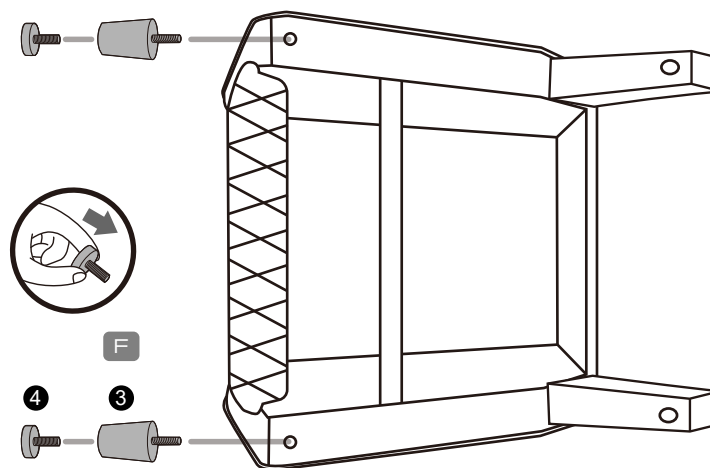


3



1		x2
2		x2

4



3		x2
4		x2

GLOBAL WARRANTY POLICY

WARRANTY PERIODS OF COUGAR GAMING DEVICES

Product : COUGAR GAMING SOFA

Warranty : 1 Year

This warranty gives you specific legal rights. You may also have other rights granted under local law. These rights may vary.

WARRANTY AGREEMENT

If the product has defects in material or manufacture, COUGAR will provide product repair and replacement service within the warranty period.

Our warranty service is based on the date of the invoice or warranty card.

CONDITIONS WHERE FREE MAINTENANCE IS NOT PROVIDED

- Any fault or damage caused by natural disasters (including storm, fire, flood, thunder, earthquake, etc).
- Any fault or damage caused by accidental factors and man-made reasons (including hit, scrape, crash, moving, compression, stain, corrosion, riot, misuse, malicious damage, etc).
- Use in an improper operating environment (including high temperature, high humidity, water inflow, etc).
- Inability to provide the product warranty card, purchase receipt or invoice to prove the product is still within the warranty period and the shipping date of the product is out of warranty.
- The warranty card has been altered or its number is hard to identify.
- The warranty period has expired.
- Any fault or damage caused by non-compliance with regulations stated on the user manual or improper, rough and careless treatment.
- Any fault or damage caused by use of parts not certified by COUGAR original manufacturer.
- The problem is caused by improper repair or adjustment by the buyer or any manufacturer without authorization from COUGAR.
- The product is not acquired from an authorized distributor of the company or is acquired from illicit sources.
- Paper carton, instruction and other accessories are not warranted.

DISCLAIMERS

- COUGAR products should not be used as critical components in life support devices.
- COUGAR is not liable for any damage of life and limb or damage or loss of property caused by or during COUGAR products' use as or with medical equipment, military equipment, traffic equipment and disaster prevention systems.
- COUGAR's warranty liability is limited to repair or replacement. The decision on whether to repair or replace belongs exclusively to COUGAR.
- COUGAR is, to the extent not prohibited by law, not liable for any damages; expenses; lost data, revenues, savings or profits; or any incidental or consequential damages happened while the use of a defective product from COUGAR or due to its use.

LEGAL NOTICES

This manual was created by Compucase Enterprise and may not be completely or partially copied, passed on, distributed or stored without written consent by Compucase Enterprise. COUGAR® is a registered brand of Compucase Enterprise. Other product and company names mentioned in this documentation may be brands or trademarks of their respective owners. Compucase Enterprise reserves the right to make changes concerning the contents of the manual and the technical data of the product without previous announcement.

MANUFACTURER CONTACT

Compucase Enterprise Co.,Ltd.
No. 225, Lane 54, An Ho Road Sec. 2 Tainan, Taiwan, R.O.C
Tel: +886-6-356-0606

COUGAR USA Technical Service
Tel: (833) 256-3778
Mail: rma@compucaseusa.com

Service email : <https://cougargaming.com/support/contact/upload/>

Compucase Enterprise Co.,Ltd. All rights reserved. Made in China



WARNING

- Only the occupant should operate it.
- This product is only suitable for one person at a time.
- Do not allow children to play on the chair, or operate the mechanism.
- Be careful when extending the footrest.
- Leg rest folds down on closing so that a child could possibly be injured.
- Keep hands and feet clear of the mechanism.
- Always leave the sofa in an upright and closed position after use.
- Do not use this recliner as a step ladder or stand on it.
- Maximum supporting weight: 160kg

ДАТА ИЗГОТОВЛЕНИЯ ПРОДУКЦИИ

год и месяц изготовления продукции указаны в серийном номере продукта. (существует 2 способа определения даты изготовления, оба способа описаны ниже)

А После S/N: первые две цифры означают год, вторые две – месяц изготовления. Например, S/N: H1702000001 означает, что товар был произведен в феврале 2017 года.

Б После S/N: если указаны буквы, то две буквы представляют цифры из таблицы ниже, и означают год, последующие две цифры – месяц изготовления. Например, S/N: DAG02REV1000001 означает, что товар был произведен в феврале 2017 года.

A	B	C	D	E	F	G	H	I	J
1	2	3	4	5	6	7	8	9	0

• Например, AG = 17 = 2017 год

БЪЛГАРИЯ

• Подробни инструкции за употреба изтеглете от: <https://cougargaming.com/bg>



България QR код



www.cougargaming.com

facebook.com/cougargaming

youtube.com/user/COUGARGLOBAL