

SENCOR®

SBL 7170GG / SBL 7171GR / SBL 7172BL
SBL 7173VT / SBL 7174RD / SBL 7175RS
SBL 7176 GD / SBL 7177CH / SBL 7178BK



EN ■ Automatic Smoothie Maker

READ CAREFULLY AND STORE FOR FUTURE USE.

- This appliance may be used by persons with physical or mental impairments or by inexperienced persons, if they are properly supervised or have been informed about how to use the product in a safe manner and understand the potential dangers.
- Children must not use this appliance or play with it. Keep this appliance and the power cord out of reach of children.
- This appliance is intended for home use. It is not intended for use in locations such as:
 - staff kitchens in stores, offices and other workplaces;
 - agricultural farms;
 - hotel or motel rooms and other living areas;
 - bed and breakfast establishments.
- This appliance is designed for blending food. Do not use it for any other purposes than those intended.



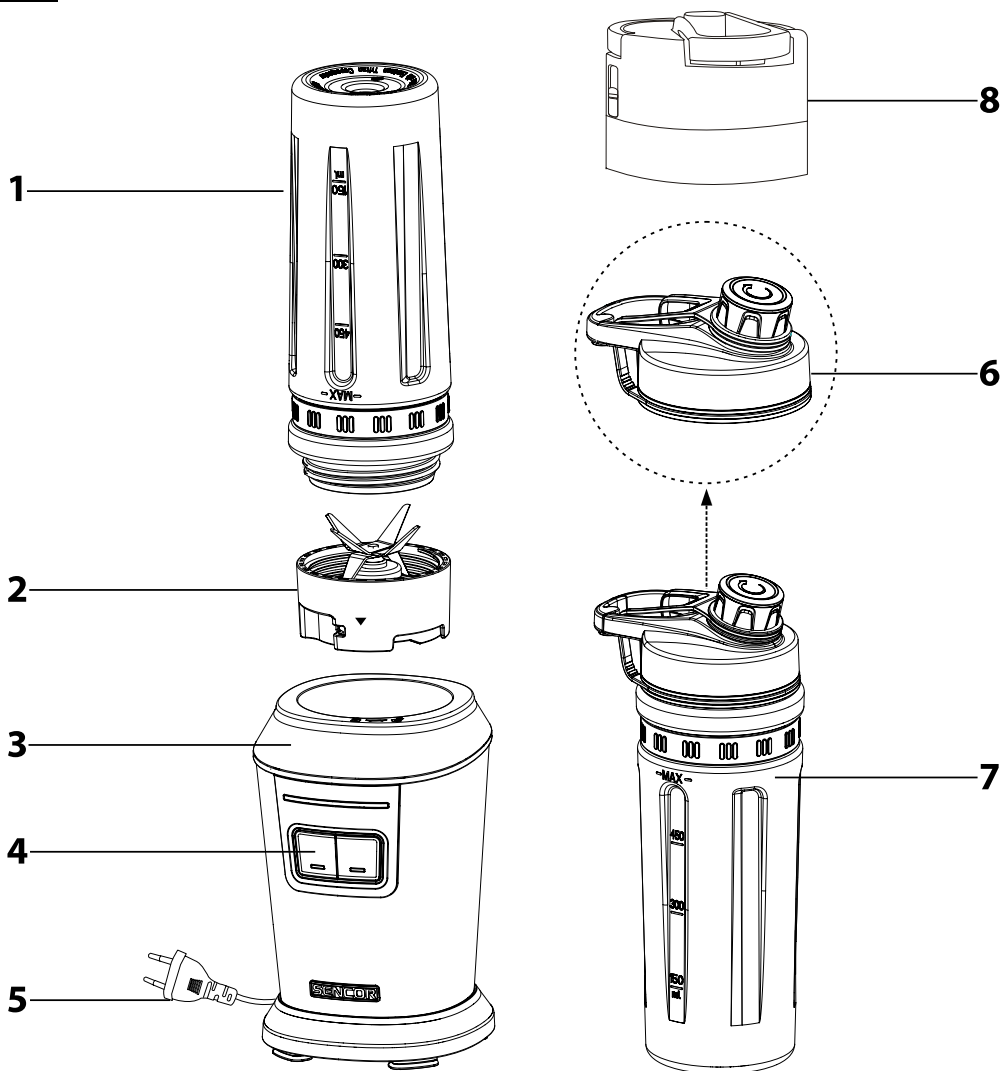
Warning:

Incorrect use may lead to injuries.

- Do not use the appliance in an industrial environment or outdoors.
- Do not place the appliance on an electric or gas stove or in its vicinity, on the edge of a table or on an unstable surface. Only place the appliance on an even, dry and stable surface.
- Before connecting this appliance to a power socket, make sure the voltage stated on its rating label corresponds to the voltage in your power socket.
- Only use the appliance with the original accessories that came with it.
- Do not fill the blending jar past its maximum nominal capacity.
- Make sure that the appliance is correctly assembled before putting it into operation. The appliance is equipped with a safety mechanism that will prevent it from being started unless the removable accessories are seated on the motor unit.
- Do not turn on the appliance when it is empty. Incorrect use of the appliance may negatively affect its lifetime.
- Pay increased attention when handling hot liquids, because they may release steam or they could spray and cause burns. Allow hot liquids to cool down to a temperature of at least 50 °C before pouring them into the blending jar.

- Do not leave the appliance in continuous operation for longer than 3 minutes. Before turning it on again, allow it to cool down for at least 10 minutes. When processing harder foods or thick liquids, do not leave the appliance in continuous operation for longer than 1 minute.
- The appliance is equipped with a thermal fuse protecting the motor from damage in case of overload. If the appliance shuts off as a consequence of the motor being overloaded, disconnect it from the power socket and allow it cool for at least 30 minutes. Then you can put into operation again.
- If ingredients stick to the blade assembly or the inside walls of the blending jar, turn the appliance off and unplug it from the power supply. Make sure that the blade assembly has stopped rotating. Take the blending jar assembly off the motor unit and turn it over so that the blade assembly points upwards. Remove the blade assembly and clean the removed parts using a plastic spatula. Assemble the appliance, plug the power cord into a power socket and continue blending.
- When handling the blade assembly, be very careful not to injure yourself on its sharp cutting edge. This applies especially when removing the blade assembly from the blending jar, when emptying the jar and when cleaning.
- The included blending jars are not intended for heating food in a microwave oven.
- Always turn off the appliance and disconnect it from the power socket if you will not be using it and if you will be leaving it without supervision, before assembly, disassembly, replacing accessories and before cleaning or moving it.
- Check that the motor unit is turned off, disconnected from the power socket and that the rotating parts have come to a complete stop before removing the blending jar assembly from the motor unit.
- Clean it according to the instructions in chapter Cleaning and maintenance. Do not submerge the motor unit or its power cord in water or any other liquid, or wash these parts under running water.
- Do not place heavy items on the power cord. Make sure that the power cord does not hang over the edge of a table or that it is not touching a hot surface.
- Disconnect the appliance from the power socket by pulling on the plug, never pulling on the power cord. Otherwise, this could damage the power cord or the socket.
- If the power cord is damaged, it must be replaced by an authorised service centre or by another similarly qualified person, this will prevent the creation of a dangerous situation.
- Do not use the appliance when it is not functioning properly or showing any signs of damage. In order to prevent a hazardous situation arising, do not repair the appliance yourself or modify it in any way. Have all repairs performed at an authorised service centre. By tampering with the appliance, you risk voiding your legal rights arising from unsatisfactory performance or quality warranty.

A



Automatic Smoothie Maker

EN User's manual

- Prior to using this appliance, please read the user's manual thoroughly, even in cases, when one has already familiarised themselves with previous use of similar types of appliances. Only use the appliance in the manner described in this user's manual. Keep this user's manual in a safe place where it can be easily retrieved for future reference.
- We recommend saving the original cardboard box, packaging material, purchase receipt and responsibility statement of the vendor or warranty card for at least the duration of the legal liability for unsatisfactory performance or quality. In the event of transportation, we recommend that you pack the appliance in the original box from the manufacturer.

DESCRIPTION OF THE APPLIANCE

- A1** The large 600 ml blending container is made of BPA free tritan material and also serves as a drinking bottle.
- A2** Blade unit with six blades made of high-quality stainless steel
- A3** Motor unit
- A4** Auto button is for turning the motor unit on and off.
- A5** Power cord
- A6** The screw cap with spout can be screwed onto both drinking bottles.
- A7** The large 600 ml blending container is made of BPA free tritan material and also serves as a drinking bottle.
- A8** The vacuum lid can be screwed on to both drinking bottles. It enables air to be expelled from the bottles after blending.

PURPOSE OF USE AND APPLIANCE FEATURES

- This Smoothie Maker is ideal for preparing fresh fruit or fitness drinks, dairy and other sorts of cocktails, mixed drinks, excellent salsa, cream soups, sauces and mixed baby foods. It is equipped with a blade unit with six high-quality stainless-steel blades and 2 blending bottle. The lid has a closable spout to allow easy carrying with no spilling. Both bottles fit perfectly into a car cupholder. Anti-slip feed with suction cups ensure excellent stability when the Smoothie Maker is in use. The bottle, lid and blade unit are dishwasher safe.

BEFORE FIRST USE

- Remove the appliance and its accessories from the packaging.
- Thoroughly wash all removable parts intended for contact with food (blending container **A1**, and **A7**, lid **A6** and the blade unit **A2**) in warm water with a neutral dish detergent. Then rinse them with clean water and let them dry or thoroughly dry them with a soft towel.



Warning:

When cleaning the blade unit **A3**, be extra cautious to avoid injury. The blade edges **A2** are sharp.

ASSEMBLING AND DISMANTLING THE APPLIANCE

- Before you begin to assemble or disassemble the appliance, make sure the motor unit **A3** is turned off and unplugged from the wall outlet and the rotating parts are not in motion.

1. Assembling and dismantling the blending container

- 1.1 Turn blending container **A1** or **A7** so that its neck points upward.
- 1.2 Place the blade unit **A2** against the neck of container **A1** or **A7** so that the blades point into **A1** or **A7**. Screw the blade unit **A2** onto the neck of container **A1** or **A7**. Turn the assembled container downward with the blade unit **A2**.



Note:

Put food and liquids into container **A1** or **A7** before you attach the blade unit to it **A2**.

- 1.3 To disassemble, proceed in the opposite order.

2. Attaching and removing the blending container from the motor unit

- 2.1 Place the motor unit **A3** on a flat, dry surface, such as a kitchen counter. Onto the motor unit **A3**, place the blending container so that the arrow indicator on the blade unit **A2** lines up with the arrow on the motor unit **A3**. Turn the blending unit clockwise until it attaches firmly to the motor unit **A3**. If the blending container assembly is correctly attached to the motor unit **A3**, it cannot be lifted separately.

- 2.2 To remove the blending container from the motor unit **A3**, proceed in the opposite sequence.

3. Assembling and vacuuming the drinking bottle

- 3.1 To assemble the drinking bottle, screw the lid **A6** onto the neck of bottle **A1** or **A7**. Firmly tighten the lid **A6**. When carrying, make sure the spout is properly closed, so that the bottle's contents do not spill.
- 3.2 If you wish to assemble the bottle and expel air out of it, put the vacuum lid **A8** on to the neck of the bottle **A1** or **A7**. Firmly secure the vacuum lid **A8** in place. Then move the hook up and down to expel the air. When the air is expelled, it will be difficult to move the hook. The release valve is located on the side of the lid. Before drinking, press the valve to release the pressure inside the bottle.



Warning:

When the cup body is inverted, do not vacuum and release the pressure.

USING THE APPLIANCE

1. Make sure that the motor unit **A3** is turned off and unplugged.
2. Put the ingredients you want to mix into blending container **A1** or **A7**. We recommend putting the food into container **A1** or **A7** in the order shown in the chapter "Quick guide to processing ingredients". Containers **A1** and **A7** can hold food up to the MAX 600 ml line. Do not put more food and liquid into container **A1** or **A7**.



Warning:

Before pouring hot liquids into blending containers **A1** or **A7** and blending them, let them cool to at least 40 °C.

3. Assemble the blending container and then attach the blending container assembly to the motor unit **A3** according to the instructions in the chapter "Assembling and dismantling the appliance".
4. Plug the power cable in and press the pulse switch **A4** to start smoothie maker. Press "SOFT" button, the working time is 40 second, this program is good for blending the softer food, such as strawberries, tomatoes, bananas etc. Press "HARD" button, the working time is 60 second, this program is good for blending the harder food, such as carrots, apples, pears etc. When finish operation, all the stage lights light on and the speed lights keep flashing. Then you can unplug the appliance and enjoy the drinks.



Note:

The "SOFT" and "HARD" function are automatic working programs.

Press each of the buttons can stop the appliance when in operation. If need blending longer time for better smoothie effect, can press the function button again to work another several seconds, you can stop the machine by pressing the button again.



Warning:

The maximum operating time is 2 minutes. Do not let the appliance run continuously longer than the time indicated above. Then let the appliance cool for 2 minutes. When processing thicker foods or liquids, do not let the appliance run for more than 1 minute.

5. If food sticks to the blade unit **A2** or to the wall of the blending container **A1** or **A7**, turn the appliance off and unplug it. Make sure that the blade unit **A2** has stopped turning. Remove the container set from the motor unit **A3** and turn it so that the blade unit **A2** points upward. Remove the blade unit **A2**. Use a plastic spatula to clean the blade unit **A2** and wall of container **A1** or **A7**. Put the blending container together and attach it back to the motor unit **A3**. Plug the cord in and continue blending.
6. After blending is finished, unplug the power cable. Make sure that the blade unit **A2** has stopped turning, and remove the blending container assembly from the motor unit **A3**.
7. Turn blending container **A1** or **A7** so that the blade unit **A2** points upward. Remove the blade unit **A2** and, if necessary, close bottle **A1** or **A7** with the lid **A6** or pour the contents into another appropriate container.
8. Clean all parts used according to the instructions in chapter "Cleaning and maintenance".

QUICK GUIDE TO PROCESSING INGREDIENTS

- For optimal blending results, put the ingredients in blending container **A1** or **A7** in the following order: liquids, fresh fruit, frozen fruit, yogurt and ice cream.
- First cut solid foods, such as fruit or vegetables, into smaller pieces of about 1 in (2.5 cm) and then mix them.
- This smoothie maker is not intended for mashing potatoes, blending dough, whipping egg whites or grinding raw meat.

Ingredients	Recommended blending program
Fruit and vegetables cut into smaller pieces	SOFT
Smoothies and cocktails	HARD
Salsa	SOFT
Soups	SOFT
Baby food, side dishes	HARD



Note:

The listed processing times are only for orientation. Actual blending time depends on the size of the food, the amount, and the desired final consistency.

CLEANING AND MAINTENANCE

- Before cleaning it, make sure the appliance is shut and unplugged. Disassemble the appliance into its separate parts. Before disassembly, make sure the rotating parts have stopped.
- Thoroughly wash the blade unit **A2** and the emptied blending container **A1** or **A7** in warm water with a neutral dish detergent. Then rinse these parts under clear running water, dry them with a soft towel or let them air dry. If you have used the lid **A6**, clean it in the same way. We recommend washing all parts immediately after use, so that food does not stick. Dried food is hard to remove. The blade unit **A2**, bottles **A1** and **A7** and the lid **A6** are all dishwasher safe.



Warning:

When removing and cleaning the blade unit **A2**, be extra cautious to avoid injury. The blade edges **A2** are sharp. Some foods may discolor blending containers **A1** and **A7**. However, this does not affect the operating of the appliance.

- The clean the outer surface of the motor unit **A3** use a cloth soaked in a weak detergent solution. After applying the detergent, dry the surface with a cloth moistened with clean water, and then wipe it dry.
- Never immerse the motor unit **A3** or power cable into water or any other liquid. When cleaning the appliance, do not use solvents, paint thinners or abrasive cleaners. This may damage the surface of the appliance.

STORAGE

- When you are not using the appliance, store it in a clean, dry place out of the reach of children.

TECHNICAL DATA

Rated voltage range	220–240 V~
Rated frequency.....	50/60 Hz
Rated power	800 W
Protection class (against electric shock)	II
Noise	85 dB(A)

This appliances declared noise emission value is 85 dB(A), which represents acoustic output level A in regard to the reference acoustic output 1 pW.



Level of protection against injury by electrical shock:

Class II- Protection against injury by electrical shock is provided by double or heavy-duty insulation.

We reserve the right to change text and technical parameters.

INSTRUCTIONS AND INFORMATION REGARDING THE DISPOSAL OF USED PACKAGING MATERIALS

Dispose of used packaging material at a site designated for waste in your municipality.

DISPOSAL OF USED ELECTRICAL AND ELECTRONIC EQUIPMENT



This symbol on products or original documents means that used electric or electronic products must not be added to ordinary municipal waste. For proper disposal, renewal and recycling hand over these appliances to determined collection points. Alternatively, in some European Union states or other European countries you may return your appliances to the local retailer when buying an equivalent new appliance.

Correct disposal of this product helps save valuable natural resources and prevents potential negative effects on the environment and human health, which could result from improper waste disposal. Ask your local authorities or collection facility for more details. In accordance with national regulations penalties may be imposed for the incorrect disposal of this type of waste.

For business entities in European Union states

If you want to dispose of electric or electronic appliances, ask your retailer or supplier for the necessary information.

Disposal in other countries outside the European Union

This symbol is valid in the European Union. If you wish to dispose of this product, request the necessary information about the correct disposal method from the local council or from your retailer.



This product meets all the basic requirements of EU directives related to it.