

Haier

HWS84GA
HWS84GNF
HWS49GA
HWS49GAE
HWS66GGE



Wine Cellar
User Guide

Weinkühler
Bedienungsanleitung

Cave à vin
Manuel d'Utilisation

Cantina per vini
Manuale utente

Bodega de vinos
Manual del Usuario

Chłodziarka do winnika
Podręcznik użytkownika

Cavede Vinho
Manual do Utilizador

Wijnkelder
Handleiding

Συντηρητής κρασιών
Οδηγός χρήστη

Borhűtő
Felhasználói útmutató

EN

DE

FR

IT

ES

PL

PT

NL

EL

HU

Safety information



EN WARNING: Risk of fire/flammable material.

The symbol indicates there is a risk of fire since flammable materials are used. Take care to avoid causing a fire by igniting flammable material.

DE WARNUNG: Brandgefahr/ brennbares Material.

Das Symbol weist auf Brandgefahr hin, da brennbare Materialien verwendet werden. Verhindern Sie die Entstehung von Bränden, die durch entflammbare Materialien verursacht werden.

FR ATTENTION: Risque d'incendie ou de matières inflammables.

Le symbole montre qu'il y'a le risque de matériaux inflammables sont utilisés. Prendre soin d'éviter de provoquer un incendie en ingérant des matières inflammables.

IT ATTENZIONE: Rischio di incendio/materiali infiammabili. Il simbolo indica il rischio di incendio nel caso di utilizzo di materiali infiammabili. Fare attenzione ed evitare l'insorgere di incendi a causa della combustione di materiali infiammabili.

ES ADVERTENCIA: Riesgo de incendio o material inflamable. El símbolo indica que existe riesgo de incendio, dado que se utilizan materiales inflamables. Se debe procurar evitar incendios mediante la combustión de materiales inflamables.

PT ADVERTÊNCIA: Risco de incêndio/material inflamável. O símbolo indica que existe um risco de incêndio uma vez que são usados materiais inflamáveis. Ter cuidado para evitar provocar um incêndio por acender material inflamável.

NL WAARSCHUWING: Brandrisico / brandbaar materiaal. Het systeem geeft aan dat er een brandrisico bestaat aangezien brandbaar materiaal wordt gebruikt. Zorg ervoor dat er geen brand wordt veroorzaakt door brandbaar materiaal te ontsteken.

PL OSTRZEŻENIE: Ryzyko pożaru/material łatwopalny. Symbol wskazuje, że istnieje ryzyko pożaru, ponieważ używane są materiały łatwopalne. Dbaj o to, aby uniknąć pożaru poprzez zapalenie łatwopalnego materiału.

CZ VAROVÁNÍ: Nebezpečí Požáru/ Hořlavého Materiálu. Symbol označuje riziko požáru, protože byly použity hořlavé materiály. Dbejte na to, aby nedošlo ke vzniku požáru zapálením hořlavého materiálu.

HU FIGYELEM: Tűz / gyúlékony anyag veszélye. A szimbólum azt jelzi, hogy tűzveszély áll fenn, mivel gyúlékony anyagokat használnak. Ügyeljen arra, hogy ne tegyen rá tűzveszélyes gyúlékony anyagot.

EL ΠΡΟΣΟΧΗ: Κίνδυνος φωτιάς/εύφλεκτο υλικό. Το σύμβολο υποδεικνύει ότι υπάρχει κίνδυνος φωτιάς επειδή χρησιμοποιούνται εύφλεκτα υλικά. Προσέχετε να αποφεύγετε την πρόκληση φωτιάς από ανάφλεξη εύφλεκτου υλικού.

BG ВНИМАНИЕ: Опасност от пожар / запалим материал. Символът показва, че има риск от пожар, тъй като се използват запалими материали. Внимавайте да не се предизвика пожар чрез попадане на запалим материал.

EL ΠΡΟΕΙΔΟΠΟΙΗΣΗ: Κίνδυνος πυρκαγιάς/εύφλεκτα υλικά. Το σύμβολο υποδεικνύει ότι υπάρχει κίνδυνος πυρκαγιάς, καθώς χρησιμοποιούνται εύφλεκτα υλικά. Επιδείξτε προσοχή για την αποτροπή της πρόκλησης πυρκαγιάς εξαιτίας των εύφλεκτων υλικών.

HU FIGYELMEZTETÉS: Tűzveszély/gyúlékony anyagok. A szimbólum a tűzveszélyről tájékoztat, ami a gyúlékony anyagok használatából adódik. Figyeljen a tűz megelőzésére, mivel a gyúlékony anyag lángra kaphat.



User Manual

Wine Cellar

HWS84GA
HWS84GNF
HWS49GA
HWS49GAE
HWS66GGE

EN

Haier

Thank you for purchasing a Haier Product.

Please read these instructions carefully before using this appliance. The instructions contain important information which will help you get the best out of the appliance and ensure safe and proper installation, use and maintenance.

Keep this manual in a convenient place so you can always refer to it for the safe and proper use of the appliance.

If you sell the appliance, give it away, or leave it behind when you move house, make sure you also pass this manual so that the new owner can become familiar with the appliance and safety warnings.



Legend

Warning – Important Safety information



General information and tips



Environmental information



Disposal

Help protect the environment and human health. Put the packaging in applicable containers to recycle it. Help to recycle waste of electrical and electronic appliances. Do not dispose appliances marked with this symbol with the household waste. Return the product to your local recycling facility or contact your municipal office.



WARNING!

Risk of injury or suffocation!

Refrigerants and gases must be disposed of professionally. Ensure that the tubing of the refrigerant circuit is not damaged before being properly disposed of. Disconnect the appliance from the mains supply. Cut off the mains cable and dispose of it. Remove the trays and drawers as well as the door catch and seals, to prevent children and pets to get closed in the appliance.

Old appliances still have some residual value. An environmentally friendly method of disposal will ensure that valuable raw materials can be recovered and used again.

Cyclopentane, a flammable substance not harmful to ozone, is used as an expander for the insulating foam.

By ensuring this product is disposed of correctly, you will help prevent potential negative consequences for the environment and human health, which could otherwise be caused.

For more detailed information about recycling of this product, please contact your local council, your household waste disposal service or the shop where you purchased the product, handled by the professionals.

1- Safety information.....	4
2- Safety tips.....	7
3- Maintenance	11
4-Accessories.....	13
5- Product description	14
6- Installation	15
7- Use.....	18
8- Energy saving tips.....	21
9 - Equipment	22
10- Care and cleaning.....	23
11- Troubleshooting	24
12- Technical data	27
13- Customer Service	28
14- Wine bottle stacking.....	29

This appliance is intended to be used exclusively for the storage of wine. Before switching on the appliance for the first time read the following safety hints:



WARNING!

Before first use

- ▶ Make sure there is no transport damage.
- ▶ Remove all packaging and keep out of children's reach and dispose them in an environmentally friendly manner.
- ▶ Wait at least two hours before installing the appliance in order to ensure the refrigerant circuit is fully efficient.
- ▶ Handle the appliance always with at least two persons because it is heavy.

Installation

- ▶ The appliance should be placed in a well-ventilated place. Ensure a space of at least 10 cm above and around the appliance.
- ▶ **WARNING:** Keep ventilation openings, in the appliance enclosure or in the built-in structure, clear of obstruction.
- ▶ Never place the appliance in a damp area or location where it might be splashed with water. Clean and dry water splashes and stains with a soft clean cloth.
- ▶ Do not install your wine cellar in any location not properly insulated or heated e.g. garage etc. Your wine cellar was not designed to operate in ambient temperature below 10 °C.
- ▶ Do not install the appliance in direct sunlight or in the near of heat sources (e.g. stoves, heaters).
- ▶ Install and level the appliance in an area suitable for its size and use.
- ▶ Make sure that the electrical information on the rating plate agrees with the power supply. If it does not, contact an electrician.
- ▶ The appliance is operated by a 220-240 VAC/50 Hz power supply. Abnormal voltage fluctuation may cause the appliance to fail to start, or damage to the temperature control or compressor, or there may be an abnormal noise when operating. In such case, an automatic regulator shall be mounted.
- ▶ Do not use multi-plug adapters and extension cables.

**WARNING!**

- ▶ **WARNING:** Do not locate multiple portable socket outlets or portable power supplies at the rear of the appliance.
- ▶ **WARNING:** When positioning the appliance, ensure the supply cord is not trapped or damaged.
- ▶ Do not step on the power cable.
- ▶ Use a separate earthed socket for the power supply which is easy accessible. The appliance must be earthed.
- ▶ **Only for UK:** The appliance's power cable is fitted with 3-cord (grounding) plug that fits a standard 3-cord (grounded) socket. Never cut off or dismount the third pin (grounding). After the appliance is installed, the plug should be accessible.
- ▶ **WARNING:** Do not damage the refrigerant circuit.

Daily use

- ▶ This appliance can be used by children aged from 8 years and above and persons with reduced physical, sensory or mental capabilities or lack of experience and knowledge if they have been given supervision or instruction concerning use of the appliance in a safe way and understand the hazards involved.
- ▶ Children shall not play with the appliance.
- ▶ Children aged from 3 to 8 years are allowed to load and unload refrigerating appliances, but not allowed to clean and install the refrigerating appliances.
- ▶ Keep away children under 3 years of age from the appliance unless they are constantly supervised.
- ▶ Cleaning and user maintenance shall not be made by children without supervision.
- ▶ The appliance must be positioned so that the plug is accessible.
- ▶ If coal gas or other inflammable gas is leaking into vicinity of the appliance, turn off the valve of the leaking gas, open the doors and windows and do not unplug the power cable of the appliance.
- ▶ Wait at least 7 minutes to reconnect the power after the power has been disconnected.
- ▶ Do not lift the appliance by its door handles.
- ▶ The keys must be kept out of the reach of children and not in the vicinity of the appliance to prevent children from being locked inside the appliance.



WARNING!

- ▶ Notice that the appliance is set for operation at the specific ambient range between 10 and 38°C. The appliance may not work properly if it is left for a long period at a temperature above or below the indicated range.
- ▶ Do not place unstable articles (heavy objects, containers filled with water) on top of the appliance, to avoid personal injury caused by falling or electric shock caused by contact with water.
- ▶ Open and close the door only with the handles. The gap between the door and the cabinet is very narrow. Do not put your hands in these areas to avoid pinching your fingers. Open or close the appliance doors only when there are no children standing within the range of door movement.
- ▶ Do not store or use inflammable, explosive or corrosive materials in the appliance or in the vicinity.
- ▶ Do not store explosive substances such as aerosol cans with a flammable propellant in this appliance.
- ▶ Do not store medicines, bacteria or chemical agents in the appliance. This appliance is a household appliance. It is not recommended to store materials that require strict temperatures.
- ▶ Do not set unnecessarily low temperature in the wine cabinet compartment. Minus temperatures may occur at high settings. Attention: Bottles can burst
- ▶ Do not touch the inside surface of the appliance compartment when in operation, especially with wet hands, as your hands may freeze onto the surface.
- ▶ For proper wine cooling, do not overload the appliance.
- ▶ Unplug the appliance in the event of a power interruption or before cleaning. Allow at least 7 minutes before restarting the appliance, as frequent starting may damage the compressor.
- ▶ **WARNING:** Do not use electrical devices inside the appliance, unless they are of the type recommended by the manufacturer. To avoid risks a damaged power cord must be replaced by the customer service (see warranty card).
- ▶ To prolong the service life of the appliance, avoid turning it off.
- ▶ Never place the appliance horizontally on the ground. After tilting the appliance more than 45°, wait for 24 hours before plugging it in.

**WARNING!****Maintenance / cleaning**

- ▶ Make sure children are supervised if they carry out cleaning and maintenance.
- ▶ Disconnect the appliance from the electrical supply before undertaking any routine maintenance. Allow at least 7 minutes before restarting the appliance, as frequent starting may damage the compressor.
- ▶ Hold the plug, not the cable, when unplugging the appliance.
- ▶ Do not clean the appliance with hard brushes, wire brushes, detergent powder, petrol, amyl acetate, acetone and similar organic solutions, acid or alkaline solutions. Please clean with special refrigerator/freezer detergent to avoid damage. Eventually use warm water and baking soda solution - about a tablespoon of baking soda to a litre/quart of water. Rinse thoroughly with water and wipe dry. Do not use cleaning powders or other abrasive cleaners. Do not wash removable parts in a dishwasher.
- ▶ **WARNING:** Do not use mechanical devices or other means to accelerate the defrosting process, other than those recommended by the manufacturer.
- ▶ If the supply cord is damaged, it must be replaced by the manufacturer, its service agent or similarly qualified persons in order to avoid a hazard.
- ▶ Do not try to repair, disassemble or modify the appliance by yourself. In case of repair please contact our customer service.
- ▶ If the illuminating lamps are damaged, it must be replaced by the manufacturer, its service agent or similarly qualified persons in order to avoid a hazard.
- ▶ Eliminate the dust on the back of the unit at least once in the year to avoid hazard by fire, as well as increased energy consumption.

- ▶ Do not spray or flush the appliance during cleaning.
- ▶ Do not use water spray or steam to clean the appliance.
- ▶ Do not clean the cold glass door with hot water. Sudden temperature change may cause the glass to break.
- ▶ If you leave your appliance out of use for an extended period, leave it open to prevent odour and unpleasant smells building up inside.

Refrigerant gass information



WARNING!

The appliance contains the flammable refrigerant ISOBUTANE (R600a). Make sure the refrigerant circuit is not damaged during transportation or installation. Leaking refrigerant may cause eye injuries or ignite. If a damage has occurred, keep away open fire sources, thoroughly ventilate the room, do **not** plug or unplug the power cords of the appliance or any other appliance. Inform the customer service.

In case of eyes get into contact with the refrigerant, rinse it immediately under running water and call immediately the eye specialist.

WARNING: The refrigeration system is under high pressure. Do not tamper with it. Since the flammable refrigerants are used, please, install, handle and service the appliance strictly according to the instruction and contact the professional agent or our after-sales service to dispose of the appliance.

Intended use


This appliance is intended to be used in household and similar applications such as

- staff kitchen areas in shops, offices and other working environments;
 - farm houses and by clients in hotels, motels and other residential type environments;
 - bed and breakfast type environments;
 - catering and similar non-retail applications.
- ▶ To ensure the safe preservation of wine, please comply with this instruction for use.
- ▶ The details on the most appropriate part in the compartment of the appliance where specific types of food shall be stored, considering the distribution of temperature that can be present in the different compartments of the appliance are in the other part of the manual.

Changes or modifications to the device are not allowed. Unintended use may cause hazards and loss of warranty claims.

Disposal



The  symbol on the product or on its packaging indicates that this product may not be treated as household waste. Instead it shall be handed over to the applicable collection point for the recycling of electrical and electronic equipment. By ensuring this product is disposed of correctly, you will help prevent potential negative consequences for the environment and human health, which could otherwise be caused by inappropriate waste handling of this product. For more detailed information about recycling of this product, please contact your local city office, your household waste disposal service or the shop where you purchased the product.

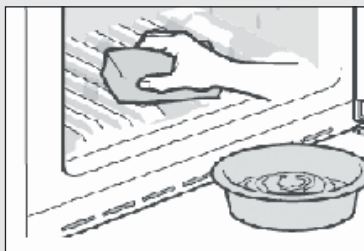
Since the flammable insulation blowing gases are used, please contact the professional agent or our after-sale service to dispose of the appliance.

WARNING!

Risk of injury of suffocation!

Refrigerants and gases must be disposed of professionally. Ensure that the tubing of the refrigerant circuit is not damaged before being properly disposed of. Disconnect the appliance from the mains supply. Cut off the mains cable and dispose of it. Remove the trays and drawers as well as the door catch and seals to prevent children and pets to get closed in the appliance.

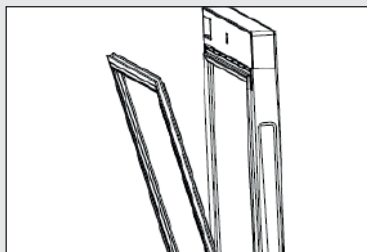
- ▶ **WARNING:** Disconnect the appliance from the power supply before cleaning.
- ▶ Do not clean the appliance with hard brushes, wire brushes, detergent powder, petrol, amyl acetate, acetone and similar organic solutions, acid or alkaline solutions. Please clean with special refrigerator detergent to avoid damage.
- ▶ Clean the appliance when only little or no wine is stored. It is only necessary to clean it when it is dirty.
- ▶ Clean the inside and housing of the appliance with a sponge damped in warm water and neutral detergent
- ▶ Rinse with clean warm water and dry with soft cloth.
- ▶ Do not clean any of the parts of the appliance in a dishwasher.
- ▶ Allow at least 7 minutes before re-starting the appliance as frequent starting may damage the compressor.



Clean the door gasket:

- ▶ The door gaskets should be cleaned every 3 months to assure a proper seal. As below : Remove: Grasp the door gasket and pull it out according to the direction of arrow to remove the whole door gasket in order.

Dip the brush with water or food grade alcohol, clean up the door gasket groove firstly by pulling back and forth the brush. Then wipe door gasket surface with a towel dipped with water or food grade alcohol. Finally, wash the door gasket clean and wipe it dry with a clean towel.



Installation door gasket after cleaning:

Before installation, make sure that there is no water on the door gasket. Insert the door gasket into the groove, and press the door gasket tightly from the top to the bottom by hand until the whole door gasket is inserted into the groove.

Cleaning the shelves:

- ▶ All shelves can be taken out for cleaning.
- ▶ Take out all bottles.
- ▶ Lift each shelf a little and take it out.
- ▶ Clean the shelf with a soft towel.
- ▶ Wait until the shelves are dry before putting them back in.

WARNING:

Wait at least 7 minutes to reconnect the power after the power has been disconnected.

Check the accessories and literature in accordance with this list:
without isolation.

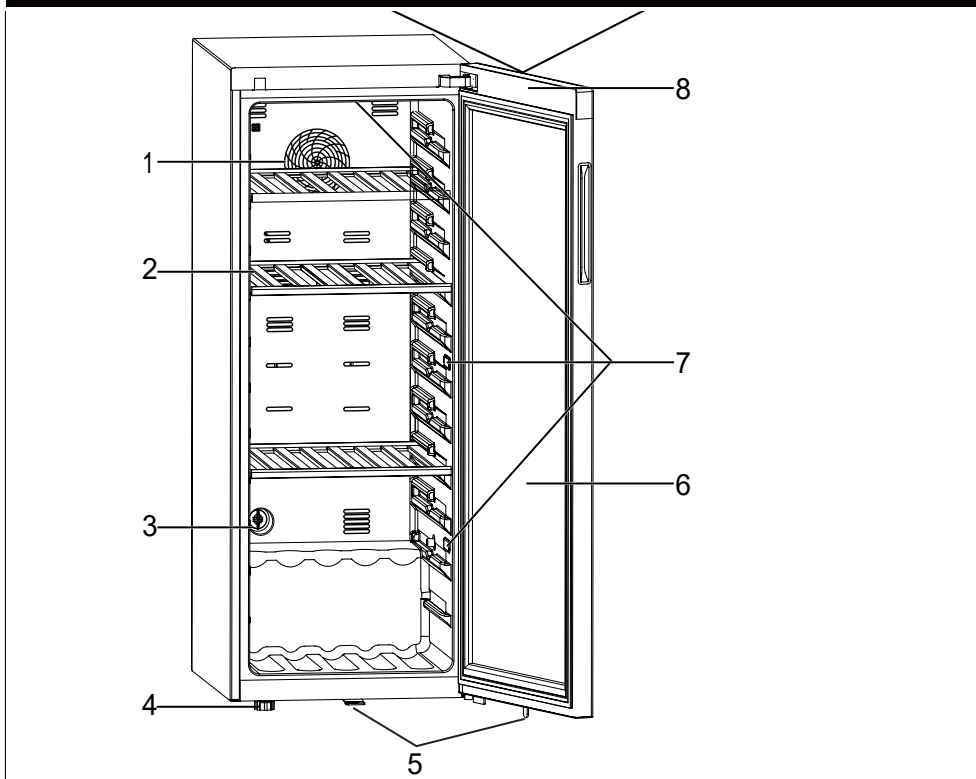
Name	User Manual	Service Card	Shelf	Small shelf	Hinger-Cover	Energy Label	Key	Left cam of door
HWS84GA	1	1	6	1	1	1	2	2
HWS84GNF	1	1	6	1	1	1	2	2
HWS49GA	1	1	4	1	1	1	2	2
HWS49GAE	1	1	4	/	/	1	/	/
HWS66GGE	1	1	5	/	/	1	2	/



Notice

Due to technical changes and different models, some of the illustrations in this manual may differ from your model.

Picture of appliance



- | | |
|----------------------------------|-----------------------------------|
| 1. Fan(except HWS49GAE,HWS66GGE) | 5. Lock (except HWS49GAE) |
| 2. Shelf | 6. Door |
| 3. Active charcoal filter | 7. LED lamp |
| 4. Adjustable feet | 8. Display (on front of the door) |

1. Unpacking

- ▶ Take the appliance out of the packaging.
- ▶ Remove all packaging materials including the foam base and all adhesive tape holding the accessories.

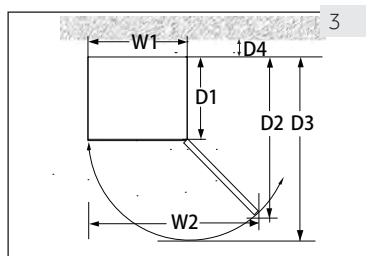
2. Environmental conditions

The room temperature should always be between 10 °C and 38 °C, since it can influence the temperature inside the appliance and its energy consumption. Do not install the appliance near other heat-emitting appliances (ovens, refrigerators) without isolation.

3. Space requirements

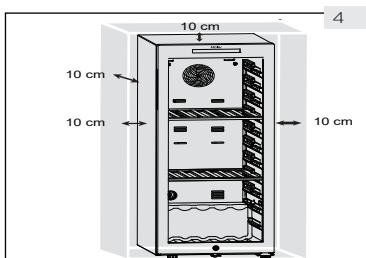
Required space to open the door (Fig. 3):

Width in mm		Depth in mm			Distance to wall in mm
W1	W2	D1	D2	D3	D4
495	630	535	1033	1047	100



4. Ventilation space

For safety and energy reasons, the required ventilation distance of 10 cm in all directions must be observed (Fig. 4).



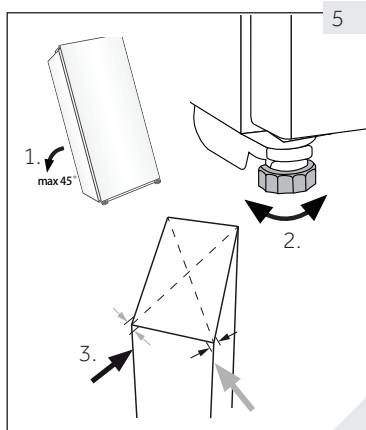
WARNING!

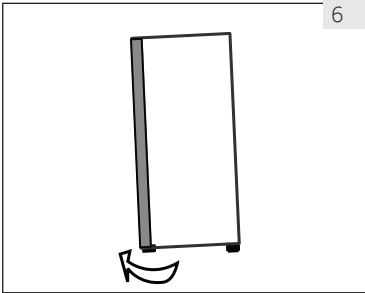
- ▶ Keep ventilation openings in the appliance or in the in-built structure clear of obstruction. This refrigerating appliance is not intended to be used as a built-in appliance.

5. Aligning the appliance

The appliance should be placed on a flat and solid surface.

1. Tilt the appliance slightly backwards (Fig. 5).
2. Set the adjustable front feet to the desired level by turning them.
3. The stability can be checked by alternately bumping on the diagonals. The slight swaying should be the same in both directions. Otherwise the frame can warp; possible leaking door seals are the result. A low tendency to the rear facilitates the closing of the door.





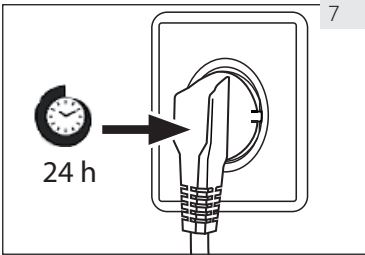
6

6. Fine tuning of the door

The appliance closes more easily if the levelling feet on the front are used:

Rotate the adjustable feet (Fig. 6) to turn them up or down:

- ▶ Turning the feet clockwise raises the appliance.
- ▶ Turning the feet counterclockwise lower the appliance.



7

7. Waiting time

The maintenance-free lubrication oil is located in the capsule of the compressor. This oil can get through the closed pipe system during transport if the appliance is tilted. Before connecting the appliance to the power supply, wait 24 hours (Fig. 7) so that the oil runs back into the capsule.

8. Electrical connection

Before each connection check if:

- ▶ power supply, socket and fusing are appropriate to the rating plate.
- ▶ the power socket is earthed and no multi-plug or extension.
- ▶ the power plug and socket are fit properly.

Connect the plug to a properly installed household socket.



WARNING!

To avoid risks a damaged power cord must be replaced by the customer service (see warranty card).

9. Door Reversibility(except HWS49GAE,HWS66GGE)

Before connecting the appliance to the power supply you should check, whether the door swing must changed from right (as delivered) to left, if this is required by the installation location and the usability

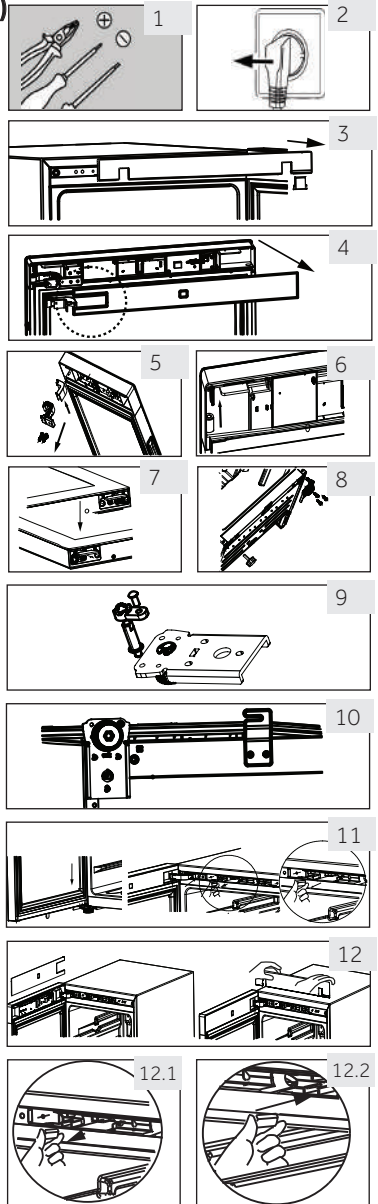


WARNING!

- ▶ The appliance is heavy. You need two persons to carry out the door reversibility.
- ▶ Before any operation, first unplug the appliance from the mains.
- ▶ Do not tilt the appliance more than 45 ° to prevent damage of the cooling system.

Assembly steps(except HWS49GAE,HWS66GGE)

1. Provide necessary tool.
2. Unplug the appliance.
3. Open the door, take down the front strip and find the corresponding strip to remove the left side and placed on the right side of the gap.
4. Unplug the connection cable. Pull-out the upper part of the door seal, and take down the door back strip. (Remove from the left side opening)
5. Remove 2 screws on the upper hinge.
6. Remove cover and hinge, remove axle cover then assemble to the other side, then install the hinge in the axle.
7. Remove the cam and door holder, move the door holder to another side of the door. Install the new cam form the gift bag.
8. Cabinet tilted (less than 45°), remove the bottom hinge (3 screws) for backup.
9. Remove the lower hinge cam and hinge shaft. Install the shaft on the right side of the lower hinge. Take out the cam from the instruction bag and install it on the lower hinge shaft.
10. Install the lower hinge and the bottom foot on the other side of the cabinet. Lubricate the cam.
11. Install the door on the lower hinge shaft, and fix the upper hinge with two screws on the cabinet. Fix the signal wires in the middle of the upper hinge groove, and take the hinge cover in the instruction bag and fasten it on the upper hinge.
12. Install the door seal and the door strip on the door. Insert the pair of door signal wires, move the magnetic switch (12.1) to the right mounting slot (12.2) of the upper beam box, and fasten the front trim of the cabinet.
13. Make sure the door is able to open and close in a good condition.



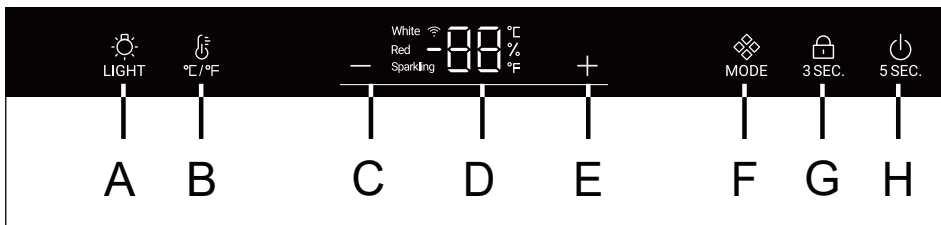
1. Before first use

- ▶ Remove all packaging materials. This includes the foam base and all adhesive tape holding the wine cellar accessories inside and outside. Keep them out of children's reach and dispose them in an environmentally friendly manner.
- ▶ Clean the inside and outside of the appliance with water and a mild detergent before putting any wine in it.
- ▶ After the appliance has been levelled and cleaned, wait for at least 2 hours before connecting it to the power supply. If your wine cellar has been tilted for any reason, wait 24 hours before plugging it in. See section INSTALLATION.
- ▶ Once you have plugged the unit into an electrical outlet, let the unit run for at least 30 minutes to acclimatize itself before making any adjustments.
- ▶ The temperature is automatically set to 12 °C. If desired, you can change the temperature manually. Please see TEMPERATURE.

2. Touch keys



The buttons on the control panel are touch keys, which respond when lightly touched with the finger.

3. Description for control panel



- | | |
|----------------------------------|--------------------------------|
| A Interior light button | E Temperature adjust button:up |
| B °C /°Fconversion button | F Mode button |
| C Temperature adjust button:down | G Lock button |
| D Display | H Power button |

4. Automatically locking function

The control panel automatically locks from any key presses after 30 seconds from being enabled,the  is light.To activate keylock press the  button for 3 seconds, when locked the back lit LED lights will dim. Button A is not locked .

5. Power button function

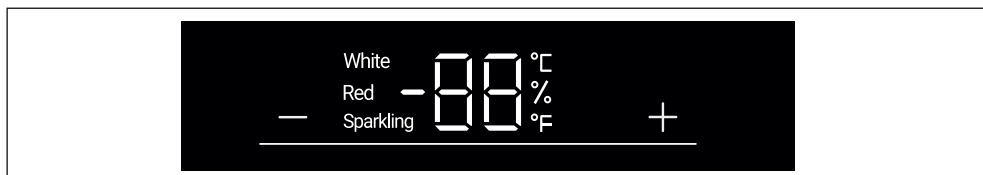
Press the button H for 5seconds, the wine cellar cuts off the power.Then press the button H for 5 seconds,the wine cellar power on.





6. Temperature setting

Notice


Presettings

- ▶ Once you have plugged the unit into an electrical outlet, let the unit for at least 30 minutes to acclimatize itself before making any adjustments.
- ▶ When the appliance is switched on after disconnection from the main power supply, it may take several hours for the correct temperatures to be reached. The exact time varies depending on the environment and the temperature setting.



Press the  or  button, the display will start to flash. Press the  or  button to set the desired temperature. The temperature setting range :5-20°C(41-68°F). Stop pressing the key for 3second, the temperature is confirmed.

7. Mode function

Press the  button, The temperature switch from sparkling (8°C or 47°F) to white (12°C or 54°F) and red (16°C or 61°F).

Recommended temperature settings

The following drinking temperatures are recommended for the different types of wine.

Red wine	+13°C to +20°C (+55°F to +68°F)	Sparkling wine Prosecco	+5°C to +8°C (+41°F to 47°F)
White wine	+9°C to +12°C (+48°F to +54°F)		

If you store wine for long periods of time, it should be stored at a temperature between +10 °C and +12 °C (50°F and +54°F).

8. Standby-mode

The display screen is dimmed automatically 30 seconds.

It lights up automatically when any key is touched or the door is opened.



Notice Influences on temperatures



The temperature inside the appliance is influenced by the following factors:

- ▶ Ambient temperature
- ▶ Frequency of door opening
- ▶ Amount of stored bottles
- ▶ The location of the appliance


The default setting is 12°C

When display stops flashing, it goes back to showing the current temperature inside the wine cellar. It will take some time to reach the set temperature.

9. Lighting mode setting

Press the  button. When the lights in the cabinet are on, the lights will be lighted up gradually. When pressed the  button once again the lights will be off gradually.

10. °C/°F function

Press the  button, switch between Fahrenheit and Celsius.

11. Power-Off Memory function

If a power outage, the cellar will automatically save the set temperature. After power recovery, it will run based on the temperature set before the power outage .

12. Low temperature compensation function (except HWS49GAE,HWS66GGE)

The wine cellar has a low temperature compensation function to ensure the stability of the temperature: When the ambient temperature is lower than the set temperature, the wine cellar automatically starts the low temperature compensation function, heating the application. When the temperature in the application reaches the set temperature, the low temperature compensation function is automatically turned off.

13. Door opening alarm

If the door is kept open for over 1 min, buzzer will be beeping to give an alarm till the door is closed or any key on display panel can be operated and then the buzzer will stop beeping.



Energy saving tips

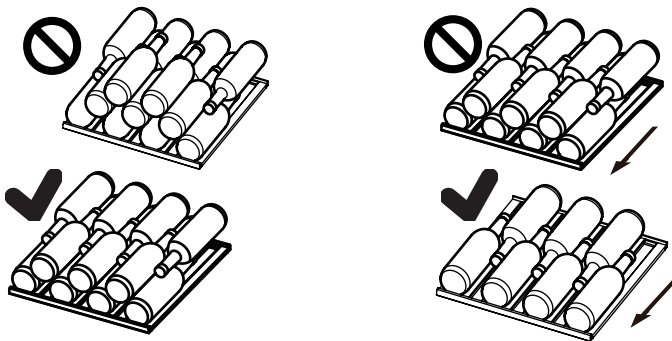
- ▶ Make sure the appliance is properly ventilated (see INSTALLATION).
- ▶ Do not install the appliance in direct sunlight or in the near of heat sources (e.g. stoves, heaters).
- ▶ Avoid unnecessarily low temperature in the appliance. The energy consumption increases the lower the temperature in the appliance is set.
- ▶ Open the appliance door as little and as briefly as possible.
- ▶ Do not exceed the designed amount of bottles to avoid obstructing the air flow.
- ▶ Keep door seals clean so that the door always closes correctly.
- ▶ The most energy-saving configuration requires drawer, food box and shelves to be positioned in the appliance on factory-fresh condition, and food to be placed without blocking the air outlet of the duct.

1. Shelf


1. The shelves are designed for easy storage and easy removal of the wine. They can be cleaned with a soft towel.
2. Regular bottles with diameter of 76mm can be stacked.
3. Magnum bottles can be stacked on the bottom shelf.
4. The quantity can vary from the depicted number or bottles if they are stacked in a different way.

Advice for the layout of your wine cellar

We recommend that the number of wine bottles should not exceed two layers on each shelf, and the bearing capacity of the wine shelves should not exceed 20 kg. Before placing the bottles inside the wine cellar, confirm whether or not the wine shelves are completely stable. In addition, confirm whether or not any bottle protrudes from the shelves in order to prevent bottles hitting the glass door upon closing.



2. The light

The LED interior light comes on when the door is opened. To turn on the light while the door is closed, touch the  button. To turn the lights off, touch button again. To increase the energy efficiency, the lights should be turned off when the wine cellar is not being viewed.

3. The lock

- To lock the wine cellar, close the door and put the key in the lock:
- ▶ Lock the door by turning the key counterclockwise;
 - ▶ Unlock the door by turning the key clockwise.

1. Defrosting

The defrosting of the wine cellar is done automatically; no manual operation is needed.

2. Replacing the LED lamp

The lamp uses LED as its light source, featuring low energy consumption and long service life. If there is any abnormality, please contact the customer service. See CUSTOMER SERVICE.



WARNING!

Do not replace the LED lamp yourself. It must only be replaced by either the manufacturer or the authorised service agent.

Parameters of LED lamp:

Voltage 12V; Max power: 8W (for HWS84GA, HWS84GNF) and HWS66GGE)

Voltage 12V; Max power: 5W (for HWS49GAE and HWS49GA)

3. Non-use for a longer period

Unplug the power cord.

Clean the appliance and door gaskets as described above.

Keep the door open to prevent the creation of bad odours inside.

4. Moving the appliance

1. Remove all bottles and unplug the appliance.
2. Secure shelves and other moveable parts in the wine cellar with adhesive tape.
3. Do not tilt the wine cellar more than 45° to avoid damaging the refrigerating system.

5. Air exchange with activated carbon filter

The way in which wines continue to mature depends on the ambient conditions. The quality of the air is therefore decisive for preserving the wine. An activated carbon filter has been fitted in the lower area of the rear wall of the appliance to through put remains at an optimum quality.



Notice

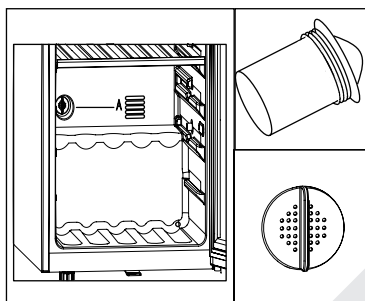
We recommend that you replace the filter once a year. Filters can be obtained from your dealer.

Changing the filter:

Take the filter by the handle. Turn it to the left and remove.

Inserting the filter:

Insert with the handle in a vertical position. Turn it to the right and insert.



Many occurring problems could be solved by yourself without specific expertise. In case of a problem please check all shown possibilities and follow below instructions before you contact an after sales service. See CUSTOMER SERVICE.

WARNING!

- ▶ Before maintenance, deactivate the appliance and disconnect the mains plug from the mains socket.
- ▶ Electrical equipment should be serviced only by qualified electrical experts, because improper repairs can cause considerable consequential damages.
- ▶ A damaged supply should only be replaced by the manufacturer, its service agent or similarly qualified persons in order to avoid a hazard.

Error Code	Cause	Solution
rH	The temperature is too high.	Please contact our after-sales service.
rL	The temperature is too low.	Please check ambient temperature should be between 10 °C and 38 °C.

Problem	Possible Cause	Possible Solution
The compressor does not work.	<ul style="list-style-type: none"> • Mains plug is not connected in the mains socket. 	<ul style="list-style-type: none"> • Connect the mains plug.
The appliance runs frequently or runs for a too long period of time.	<ul style="list-style-type: none"> • The outdoor temperature is too high. • The appliance has been off power for a period of time. • A door of the appliance is not tightly closed. • The door has been opened too frequently or for too long. • The door gaskets are dirty, worn, cracked or mismatched. • The required air circulation is not guaranteed. • The temperature is set too low. 	<ul style="list-style-type: none"> • In this case, it is normal for the appliance to run longer. • Normally, it takes a while for the appliance to cool down completely. • Close the door and ensure the appliance is located on a level ground and there is no food or container jarring the door. • Do not open the door too frequently. • Clean the door gasket or replace them by the customer service. • Ensure adequate ventilation. • The problem will resolved itself when the desired temperature has been reached.
The inside of the wine cellar is dirty and/or smells..	<ul style="list-style-type: none"> • The inside of the wine cellar needs cleaning. 	<ul style="list-style-type: none"> • Clean the inside of the wine cellar.
It is not cold enough inside the appliance.	<ul style="list-style-type: none"> • The temperature is set too high. • Bottles have been added recently. • A door of the appliance is not tightly closed. • The door has been opened too frequently or for too long. • The door gaskets are dirty, worn, cracked or mismatched. 	<ul style="list-style-type: none"> • Reset the temperature. • Allow time for recently added bottles to reach desired temperature. • Close the door. • Do not open the door too frequently. • Clean the doorgasket or replace them by the customer service..
It is too cold inside the appliance.	<ul style="list-style-type: none"> • The temperature is set too low. 	<ul style="list-style-type: none"> • Reset the temperature.
Moisture formation on the inside of the refrigerator compartment.	<ul style="list-style-type: none"> • The climate is too warm and too-damp. • A door of the appliance is not tightly closed. • The door has been opened too frequently or for too long.. 	<ul style="list-style-type: none"> • Increase the temperature. • Close the door. • Do not open the door/drawer too frequently.

Problem	Possible Cause	Possible Solution
Moisture accumulates on the wine cellar;s outside surface.	<ul style="list-style-type: none"> The climate is too warm and too damp The door is not closed tightly.The cold air in the appliance and the warm air outside it condensates. 	<ul style="list-style-type: none"> This is normal in damp climate and will change when the humidity decreases. Ensure that the door is shut tightly and that the gaskets seal properly.
The appliance makes abnormal sounds	<ul style="list-style-type: none"> The appliance is not located on level ground. The appliance touches some object around it. 	<ul style="list-style-type: none"> Ajust the feet to level the appliance. Remove objects around the appliance.
A slight sound is to be heard similar to that of flowing water.	<ul style="list-style-type: none"> This is normal 	<ul style="list-style-type: none"> -
The interior lighting or cooling system does not work.	<ul style="list-style-type: none"> Mains plug is not connected to the mains socket. The power supply is not intact. The LED-lamp is out of order. 	<ul style="list-style-type: none"> Connect the mains plug. Check the electrical supply to the room.Call the local electricity company. Please call the service for changing
The sides of the cooler and door strip get warm	<ul style="list-style-type: none"> This is normal. 	<ul style="list-style-type: none"> -
The door does not shut properly	<ul style="list-style-type: none"> The appliance is not level. The door is blocked. 	<ul style="list-style-type: none"> Level the appliance with the leveling feet. Check for blockages like bottles or shelves.

To contact the technical assistance, visit our website:

<https://corporate.haier-europe.com/en/>

Under the section "website", choose the brand of your product and your country. You will be redirected to the specific website where you can find the telephone number and form to contact the technical assistance.

Product fiche according to regulation EU No. 2019/2016

Brand	Haier	Haier	Haier
Model name / identifier	HWS49GA /HWS49GAE	HWS84GNF	HWS84GA /HWS66GGE
Category	Wine Cellar	Wine Cellar	Wine Cellar
Household refrigeration category	I	I	I
Energy efficiency class	F	F	G
Annual energy consumption (kWh/year) ¹⁾	104	110	149/153
Storage volume (L)	116/118	198	198
Climate class: This appliance is intended to be used at an ambient temperature between 10 °C and 38 °C.	SN N ST	SN N ST	SN N ST
Airborne acoustical noise emissions (db(A) re 1pW)	C(37)	C(37)	C(37)
Type of appliance	Freestanding	Freestanding	Freestanding
This appliance is intended to be used exclusively for the storage of wine.	Yes	Yes	Yes
Dimensions (D/W/H in mm)	585/497/820	585/497/1270	585/497/1270

Explanations:

1) based on standard test results for 24 hours. The actual power consumption depends on the actual environment, the amount of bottling, the set temperature, the door opening and closing, etc.

2) The nominal power consumption is the value obtained according to the standard test when the wine cabinet does not turn on the internal light.

- extended temperate: 'this refrigerating appliance is intended to be used at ambient temperatures ranging from 10 °C to 32 °C';
- temperate: 'this refrigerating appliance is intended to be used at ambient temperatures ranging from 16 °C to 32 °C';
- subtropical: 'this refrigerating appliance is intended to be used at ambient temperatures ranging from 16 °C to 38 °C';
- tropical: 'this refrigerating appliance is intended to be used at ambient temperatures ranging from 16 °C to 43 °C';

Standards and directives

This product meets the requirements of all applicable EC directives with the corresponding harmonised standards, which provide for CE marking.

We recommend our Haier Customer Service and the use of original spare parts.
 If you have a problem with your appliance, please first check section TROUBLESHOOTING.
 If you cannot find a solution there, please contact

- ▶ your local dealer or
- ▶ the Service & Support area at www.haier.com where you can find telephone numbers and FAQs and where you can activate the service claim.

To contact our Service, ensure that you have the following data available.

The information can be found on the rating plate.

Model _____ Serial No. _____

Also check the Warranty Card supplied with the product in case of warranty.

For general business enquiries please find our addresses in Europe below:

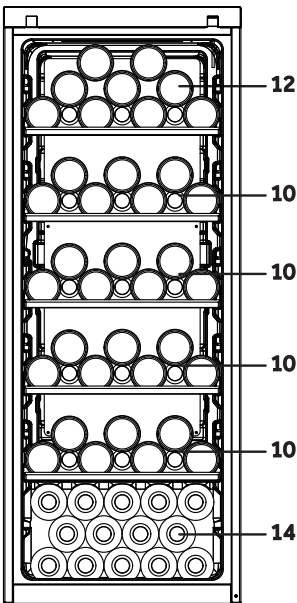
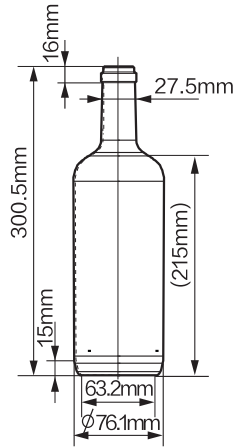
European Haier addresses

Country*	Postal address	Country	Postal address
Italy	Haier Europe Trading SRL Via De Cristoforis, 12 21100 Verese ITALY	France	Haier Europe Trading SRL Via De Cristoforis, 12 21100 Verese ITALY
Spain Portugal	Haier Iberia SL Pg. Garcia Faria, 49-51 08019 Barcelona SPAIN	Belgium-FR Belgium-NL Netherlands Luxembourg	Haier Benelux SA Anderlecht Route de Lennik 451 BELGIUM
Germany Austria	Haier Deutschland GmbH Hewlett-Packard-Str. 4 D-61352 Bad Homburg GERMANY	Poland Czechia Hungary Greece Romania Russia	Haier Poland Sp. zo.o. Al. Jerozolimskie 181B 02-222 Warszawa POLAND
United Kingdom	Haier Appliances UK Co. Ltd. One Crown Square Church Street East Woking, Surrey, GU21 6HR UK		

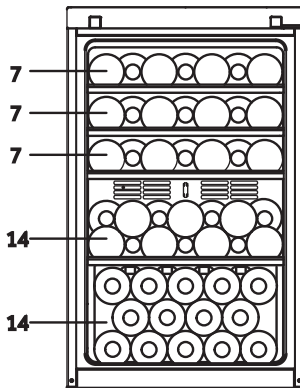
AVAILABILITY OF SPARE PARTS: Thermostats, temperature sensors, printed circuit boards and light sources are available for a minimum period of seven years after placing the last unit of the model on the market. Door handles, door hinges, trays and baskets for a minimum period of seven years and door gaskets for a minimum period of 10 year, after placing the last unit of the model on the market

Minimum guarantee is: 2 years for EU Countries, 3 years for Turkey, 1 year for UK, 1 year for Russia, 3 years for Sweden, 2 years for Serbia, 5 years for Norway, 1 year for Morocco, 6 months for Algeria, Tunisia no legal warranty required.

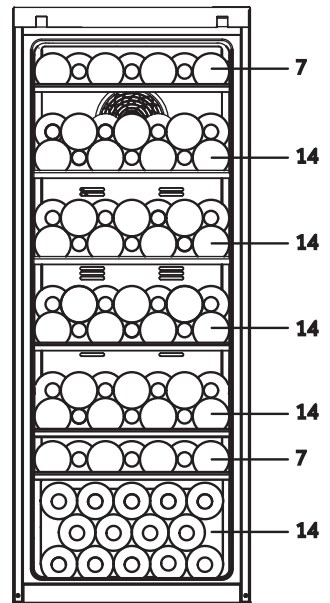
For further information about the product, please consult <https://eprel.ec.europa.eu/> or scan the QR on the energy label supplied with the appliance.



(66)
HWS66GGE



(49)
HWS49GA
HWS49GAE



(84)
HWS84GA
HWS84GNF

HWS-84GA-49GA-49GAE-84GNF-66GGE-EN

Haier



Bedienungsanleitung

Weinkühler

HWS84GA

HWS84GNF

HWS49GA

HWS49GAE

HWS66GGE

DE

Haier

Vielen Dank, dass Sie ein Haier-Gerät gekauft haben.

Machen Sie sich gründlich mit dieser Anleitung vertraut, bevor Sie mit dem Gerät arbeiten. In der Anleitung finden Sie wichtige Hinweise, die Ihnen helfen, von Anfang an perfekt saubere Wäsche zu genießen. Zusätzlich zeigt Ihnen die Anleitung, wie Sie das Gerät richtig und sicher aufstellen, in Betrieb nehmen, damit waschen und das Gerät richtig pflegen.

Bewahren Sie die Anleitung gut auf, damit Sie später darin nachlesen können.

Geben Sie die Anleitung auch mit, wenn Sie das Gerät verkaufen oder verschenken möchten. So kann sich der neue Besitzer auch gleich mit allem Wichtigem zum Gerät vertraut machen.



Legende

Warnung - Wichtige Sicherheitsinformationen



Allgemeine Informationen und Tipps



Umweltinformationen

Entsorgung



Leisten Sie einen Beitrag zum Schutz von Mensch und Umwelt. Entsorgen Sie das Verpackungsmaterial richtig, damit es dem Recycling zugeführt werden kann. Helfen Sie auch beim Recycling von elektrischen und elektronischen Altgeräten mit. Entsorgen Sie die mit diesem Symbol markierten Geräte nicht mit dem regulären Hausmüll. Bringen Sie das Produkt zu einer Sammelstelle in Ihrer Nähe. Ihre Stadtverwaltung informiert Sie gerne über passende Sammelstellen.



WARNUNG!

Gefahr von Verletzung oder Erstickung!

Kühlmittel und Gase müssen fachgerecht entsorgt werden. Achten Sie darauf, dass die Leitungen des Kühlkreislaufs nicht beschädigt werden, bevor das Gerät der Entsorgung zugeführt wird. Ziehen Sie den Netzstecker aus der Steckdose. Schneiden Sie das Netzkabel ab, entsorgen Sie das Kabel. Entfernen Sie die Einschübe und Schubladen sowie den Türverschluss und die Dichtungen, um zu verhindern, dass Kinder und Haustiere im Gerät eingeschlossen werden.

Altgeräte haben immer noch einen Restwert. Eine umweltfreundliche Entsorgungsmethode trägt dazu bei, dass wertvolle Rohstoffe zurückgewonnen und wieder verwendet werden.

Cyclopentan, eine entzündbare, nicht ozonschädliche Substanz, wird als Dehner für den Isolierschaum verwendet.

Durch die Gewährleistung einer ordnungsgemäßen Entsorgung dieses Produkts helfen Sie, potenzielle Umwelt- und Gesundheitsschäden zu verhindern, die sonst durch eine unsachgemäße Entsorgung dieses Geräts verursacht werden könnten.

Für detaillierte Informationen zum Recycling dieses Produkts wenden Sie sich bitte an Ihre Gemeindeverwaltung, Ihren Entsorgungsdienst für Hausmüll oder an das Geschäft, in dem Sie das Produkt erworben haben und die von Fachleuten geführt wird.

1- Sicherheitsinformationen	4
2- Sicherheitshinweise	9
3- Wartung.....	13
4- Zubehör.....	15
5- Produktbeschreibung.....	16
6- Aufstellung und Montage	17
7- Verwendung.....	20
8- Tipps zum Strom sparen.....	23
9- Ausstattung	24
10- Pflege und Reinigung	25
11- Fehlerbehebung	26
12- Technische Daten	29
13- Kundendienst.....	30
14- Weinflaschen Stapelung.....	31

Dieses Gerät ist ausschließlich für die Lagerung von Wein bestimmt. Machen Sie sich gut mit den folgenden Sicherheitshinweisen vertraut, bevor Sie das Gerät zum ersten Mal einschalten:



WARNUNG!

Vor dem ersten Gebrauch

- ▶ Stellen Sie sicher, dass kein Transportschaden vorliegt.
- ▶ Entfernen Sie alle Verpackungsmaterialien, halten Sie diese außer Reichweite von Kindern und entsorgen Sie sie umweltgerecht.
- ▶ Warten Sie mindestens zwei Stunden, bevor Sie das Gerät aufstellen, um sicherzustellen, dass der Kältekreislauf voll leistungsfähig ist.
- ▶ Tragen Sie das Gerät immer gemeinsam mit einem Helfer – da es recht schwer ist.

Aufstellung und Montage

- ▶ Stellen Sie die Maschine an einer gut belüfteten Stelle auf. Stellen Sie sicher, dass über dem Gerät und um das Gerät herum jeweils mindestens 10 cm Platz sind.
- ▶ **WARNUNG:** Sorgen Sie dafür, dass die Lüftungsöffnungen im Gerätegehäuse beziehungsweise in der Einbaustruktur nicht zugestellt werden.
- ▶ Stellen Sie das Gerät niemals in einem feuchten Bereich oder Ort auf, an dem es Wasserspritzern ausgesetzt ist. Reinigen und trocknen Sie Wasserspritzer und Flecken mit einem weichen Tuch.
- ▶ Stellen Sie Ihren Weinkühler nicht an einem Ort mit unzureichender Isolierung oder Heizung, wie z. B. in einer Garage, auf. Ihr Weinkühler ist nicht für den Betrieb bei Umgebungstemperaturen von 10°C geeignet.
- ▶ Stellen Sie das Gerät nicht in direktem Sonnenlicht oder in der Nähe von Wärmequellen (z. B. Öfen, Heizungen) auf.
- ▶ Stellen Sie das Gerät in einem für seine Größe und Verwendung passenden Bereich auf und nivellieren Sie es.
- ▶ Vergewissern Sie sich, dass die elektrischen Angaben auf dem Typenschild mit der Stromversorgung übereinstimmen. Falls das nicht der Fall ist, wenden Sie sich an einen Elektriker.

**WARNUNG!****Aufstellung und Montage**

- ▶ Das Gerät wird durch eine 220-240 VAC/50 Hz Stromversorgung betrieben. Abnormale Spannungsfluktuationen können verursachen, dass das Gerät sich nicht einschaltet, oder Schaden an der Temperaturkontrolle oder dem Kompressor entsteht, oder beim Betrieb ein abnormales Geräusch entsteht. In einem solchen Fall muss ein automatischer Regler montiert werden.
- ▶ Verwenden Sie keine Mehrfachsteckdosen und Verlängerungskabel.
- ▶ **WARNUNG:** Stellen Sie keine Steckdosenleisten oder tragbare Netzteile hinter der Rückseite des Geräts auf.
- ▶ **WARNUNG:** Wenn Sie das Gerät in die gewünschte Position bringen, müssen Sie darauf achten, dass das Netzkabel nicht eingeklemmt oder beschädigt wird.
- ▶ Treten Sie nicht auf das Netzkabel.
- ▶ Verwenden Sie eine separat geerdete Steckdose für die Stromversorgung, die einfach zugänglich ist. Das Gerät muss geerdet sein.
- ▶ **Nur für DE:** Das Netzkabel des Geräts ist mit einem dreipoligen Schutzkontaktstecker (geerdet) ausgestattet, der sich nur in eine passende Schutzkontaktsteckdose (geerdet) einstecken lässt. Trennen Sie den dritten Kontakt (Erdungskontakte) niemals ab. Achten Sie darauf, dass Sie auch nach dem Aufstellen des Geräts ohne Weiteres an den Stecker herankommen.
- ▶ **WARNUNG:** Beschädigen Sie das Kühlaggregat nicht.

Täglicher Gebrauch

- ▶ Dieses Gerät kann von Kindern ab 8 Jahren, sowie von Personen mit reduzierten physischen, sensorischen oder mentalen Fähigkeiten oder mangelnder Erfahrung und/oder Wissen benutzt werden, wenn sie beaufsichtigt werden oder bezüglich des sicheren Gebrauchs des Gerätes belehrt wurden und die daraus resultierenden Gefahren verstanden haben.
- ▶ Kinder dürfen nicht mit dem Gerät spielen.
- ▶ Kinder im Alter von 3 bis 8 Jahren dürfen Lebensmittel in Kühlgeräte legen und wieder aus diesen entnehmen, jedoch solche Geräte weder reinigen noch installieren.
- ▶ Halten Sie Kinder unter 3 Jahren von dem Gerät fern, sofern sie nicht ständig beaufsichtigt werden.
- ▶ Die Reinigung und Benutzerwartung dürfen nicht von unbeaufsichtigten Kindern durchgeführt werden.
- ▶ Das Gerät muss derart aufgestellt werden, dass der Stecker zugänglich ist.
- ▶ Wenn Kohlegas oder andere brennbare Gase in der Nähe des Geräts austreten, schließen Sie das Ventil, aus dem die Gase austreten, und öffnen Sie die Türen und Fenster. Ziehen Sie keinesfalls den Netzkabelstecker des Geräts aus der Steckdose.
- ▶ Warten Sie mindestens 7 Minuten nach dem Ausschalten, bevor Sie das Gerät wiedereinschalten.
- ▶ Heben Sie das Gerät nicht an seinen Türgriffen hoch.
- ▶ Die Schlüssel müssen außerhalb der Reichweite von Kindern aufbewahrt werden und keinesfalls in der Nähe des Geräts, um zu verhindern, dass sich Kinder versehentlich im Gerät einsperren.

**WARNUNG!**

- ▶ Bitte beachten Sie, dass das Gerät für den Einsatz bei besonderen Umgebungstemperaturen zwischen 10 und 38 °C voreingestellt ist. Das Gerät funktioniert möglicherweise nicht richtig, wenn es über einen längeren Zeitraum hinweg über oder unter der angegebenen Temperatur betrieben wird.
- ▶ Stellen Sie keine instabilen Gegenstände (schwere Objekte, mit Wasser gefüllte Behälter) auf das Gerät, um Verletzungen durch Herunterfallen oder Stromschlag durch Kontakt mit Wasser zu vermeiden.
- ▶ Öffnen und schließen Sie die Tür nur mit den Handgriffen. Die Lücke zwischen der Tür und dem Gehäuse ist sehr schmal. Stecken Sie Ihre Hände nicht in diese Bereiche, um das Quetschen Ihrer Finger zu vermeiden. Öffnen oder schließen Sie die Türen des Geräts nur, wenn sich keine Kinder im Bereich der Türbewegung befinden.
- ▶ Lagern Sie keine brennbaren, explosive oder korrodierende Materialien in dem Gerät oder in dessen Nähe.
- ▶ Explosive Stoffe wie Sprühdosen mit brennbarem Treibmittel in diesem Gerät nicht lagern.
- ▶ Lagern Sie keine Medikamente, Bakterien oder chemische Mittel in dem Gerät. Das Gerät ist ein Haushaltsgerät. Es wird nicht empfohlen, Materialien zu lagern, die eine genaue Temperatur benötigen.
- ▶ Stellen Sie die Temperatur im Weinfach nicht unnötigerweise niedrig. Bei hohen Einstellwerten kann es zu Minustemperaturen führen. Achtung: Flaschen können platzen
- ▶ Berühren Sie nicht die Oberfläche der Innenseite des Gefrierfachs, wenn es in Betrieb ist, besonders nicht mit nassen Händen, da Ihre Hände an der Oberfläche anfrieren können.
- ▶ Für die richtige Lagerung und Kühlung des Weins dürfen Sie das Gerät nicht überfüllen.
- ▶ Ziehen Sie Ziehen Sie den Gerätenetzstecker im Falle eines Stromausfalls oder vor dem Reinigen. Warten Sie mindestens 7 Minuten, bevor Sie das Gerät neu einschalten, da häufiges Einschalten den Kompressor beschädigen kann.
- ▶ **WARNUNG:** Verwenden Sie keine elektrischen Geräte im Inneren des Gerätes, sofern dies nicht ausdrücklich durch den

Hersteller empfohlen wird. Ein beschädigtes Stromkabel muss durch den Kundendienst ersetzt werden (siehe Garantiekarte), um Risiken zu vermeiden.

- ▶ Zur Verlängerung der Lebensdauer des Geräts, sollten Sie es möglichst selten ausschalten.
- ▶ Stellen Sie das Gerät niemals waagrecht auf den Boden. Nach dem Neigen des Geräts um mehr als 45° während des Transports, der Ausstellung, Reparatur usw., müssen Sie mindestens 24 warten, bevor Sie es an das Stromnetz anschließen.

**WARNUNG!****Reinigen und Warten**

- ▶ Lassen Sie Kinder nicht unbeaufsichtigt, falls diese das Gerät einmal reinigen möchten.
- ▶ Trennen Sie das Gerät vor jeglichen Wartungsarbeiten vollständig von der Stromversorgung (Netzstecker ziehen). Warten Sie mindestens 7 Minuten, bevor Sie das Gerät neu einschalten, da häufiges Einschalten den Kompressor beschädigen kann.
- ▶ Halten Sie beim Herausziehen des Steckers den Stecker, nicht das Kabel.
- ▶ Reinigen Sie das Gerät nicht mit harten Bürsten, Drahtbürsten, Waschpulver, Benzin, Amyl Azetat, Aceton oder ähnlichen organischen Lösungen, Säure oder Laugen. Bitte reinigen Sie mit einem speziellen Reinigungsmittel für Kühlschränke/Gefrierschränke, um Schaden zu vermeiden. Wir empfehlen die Verwendung einer Lösung aus warmem Wasser und Backpulver – etwa ein Esslöffel Backpulver auf einen Liter Wasser. Spülen Sie anschließend mit Wasser nach und wischen Sie die Oberflächen trocken. Verwenden Sie keine Scheuermittel oder andere scheuernde Reinigungsmittel. Waschen Sie die herausnehmbaren Teile nicht im Geschirrspüler.
- ▶ **WARNUNG:** Verwenden Sie keine mechanischen Vorrichtungen oder andere als die vom Hersteller empfohlenen Mittel, um den Abtauvorgang zu beschleunigen.
- ▶ Sollte das Netzkabel beschädigt sein, muss es durch den Hersteller, dessen Kundendienst oder eine Person mit gleicher technischer Qualifikation ausgetauscht werden.
- ▶ Versuchen Sie nicht, das Gerät selbst zu reparieren, zu demontieren oder zu ändern. Im Falle einer Reparatur kontaktieren Sie bitte unseren Kundendienst.
- ▶ Sollte die Beleuchtung im Geräteinnenraum beschädigt sein, muss diese durch den Hersteller, dessen Kundendienst oder eine Person mit gleicher technischer Qualifikation ausgetauscht werden.
- ▶ Entfernen Sie mindestens einmal im Jahr den Staub an der Rückseite des Geräts, um Brandgefahr sowie erhöhten Energieverbrauch zu vermeiden.

- ▶ Spraysen Sie das Gerät während dem Reinigen nicht mit Wasser ein und setzen Sie es nicht unter Wasser.
- ▶ Spraysen Sie das Gerät nicht mit Wasser ein und reinigen Sie es nicht mit Dampf.
- ▶ Reinigen Sie die kalten Glastüren nicht mit heißem Wasser. Plötzliche Temperaturänderung kann dazu führen, dass das Glas bricht.
- ▶ Wenn Sie Ihr Gerät für längere Zeit nicht verwenden, lassen Sie die Tür des ausgeschalteten Geräts einen Spalt weit geöffnet, um die Entwicklung unangenehmer Gerüche zu verhindern.

Informationen bezüglich Kältemittelgas



WARNUNG!

Das Gerät enthält das brennbare Kältemittel ISOBUTANE (R600a). Stellen Sie sicher, dass der Kältekreislauf während dem Transport und der Aufstellung nicht beschädigt wird. Auslaufendes Kältemittel kann Augenverletzungen oder Augenentzündungen verursachen. Wenn ein Schaden entstanden ist, halten Sie sich fern von allen offenen Feuerquellen, lüften Sie den Raum gründlich, stecken Sie die Netzkabel des Geräts oder anderer Geräte **nicht** hinein oder ziehen Sie sie heraus. Informieren Sie den Kundendienst

Sollten die Augen in Kontakt mit dem Kältemittel geraten, spülen Sie diese sofort unter fließendem Wasser aus und rufen Sie sofort einen Augenarzt an.

WARNUNG: Das Kühlsystem steht unter Hochdruck. Sie dürfen die Vorrichtung keinesfalls manipulieren. Da entflammbare Kühlmittel verwendet werden, muss das Gerät unter strikter Einhaltung der Bedienungsanleitung installiert, gehandhabt und gewartet werden. Wenden Sie sich bitte an den zuständigen Kundendienst oder Händler, wenn Sie das Gerät entsorgen wollen.

Bestimmungsgemäße Verwendung


Dieses Gerät ist zur Verwendung in einem Haushalt und vergleichbaren Einrichtungen gedacht, darunter:

- Teeküchen für Mitarbeiter in Läden, Büros und vergleichbaren Einrichtungen;
 - in landwirtschaftlichen Betrieben und für den Gebrauch von Gästen in Hotels, Motels und anderen wohnungsähnlichen Umgebungen;
 - in Pensionen, Bed and Breakfasts oder vergleichbaren Einrichtungen;
 - zum Catering und ähnlichen Einsatzbereichen (kein Einzelhandel)
- Um eine sichere Lagerung von Wein zu gewährleisten, beachten Sie bitte unbedingt die jeweiligen Verbrauchsanweisungen.
- Die Angaben zu dem am besten geeigneten Teil im Fach des Geräts, in dem bestimmte Arten von Lebensmitteln gelagert werden sollen, unter Berücksichtigung der Temperaturverteilung, die in den verschiedenen Abteilen des Geräts vorhanden sein kann, finden Sie im anderen Teil des Handbuchs.

Abänderungen und Modifizierungen des Geräts sind nicht zulässig. Nicht vorgesehener Gebrauch kann zu Risiken und dem Verlust von Gewährleistungsansprüchen führen.

Entsorgung



Das Symbol  auf dem Produkt oder auf seiner Verpackung zeigt an, dass dieses Produkt nicht als Hausmüll behandelt werden darf. Stattdessen wird sie an die jeweilige Sammelstelle für das Recycling von Elektro- und Elektronikgeräten übergeben. Durch die Gewährleistung einer ordnungsgemäßen Entsorgung dieses Produkts helfen Sie, potenzielle Umwelt- und Gesundheitsschäden zu verhindern, die sonst durch eine unsachgemäße Entsorgung dieses Geräts verursacht werden könnten. Weitere Informationen zum Recycling dieses Produkts erhalten Sie bei Ihrer Gemeindeverwaltung, den kommunalen Entsorgungsbetrieben oder dem Geschäft, in dem Sie das Produkt gekauft haben.

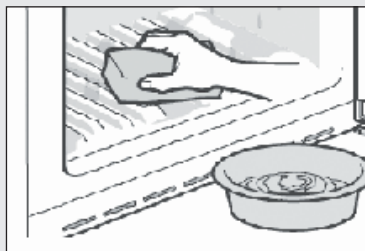
Da entflammbar Gas zur Isolierung verwendet werden, wenden Sie sich bitte an den zuständigen Kundendienst oder Händler, wenn Sie das Gerät entsorgen wollen.

WARNUNG!

Verletzungs- und Erstickungsgefahr!

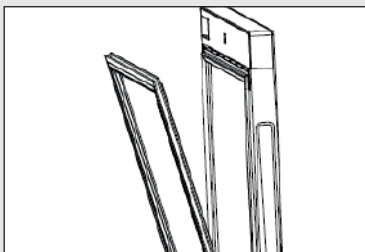
Kühlmittel und Gase müssen fachgerecht entsorgt werden. Achten Sie darauf, dass die Leitungen des Kühlkreislaufs nicht beschädigt werden, bevor das Gerät der Entsorgung zugeführt wird. Ziehen Sie den Netzstecker aus der Steckdose. Schneiden Sie das Netzkabel ab, entsorgen Sie das Kabel. Entfernen Sie die Einschübe und Schubladen sowie den Türverschluss und die Dichtungen, um zu verhindern, dass Kinder und Haustiere im Gerät eingeschlossen werden.

- ▶ **WARNUNG:** Trennen Sie das Gerät vom Netzgerät vor dem Reinigen.
- ▶ Reinigen Sie das Gerät nicht mit harten Bürsten, Drahtbürsten, Waschpulver, Benzin, Amyl Azetat, Aceton oder ähnlichen organischen Lösungen, Säuren oder Laugen. Bitte reinigen Sie mit einem speziellen Reinigungsmittel für Kühlschränke, um Schaden zu vermeiden.
- ▶ Reinigen Sie das Gerät, wenn nur wenig oder kein Wein gelagert wird. Eine Reinigung ist nur erforderlich, wenn es verschmutzt ist.
- ▶ Reinigen Sie das Innere und das Gehäuse des Geräts mit einem mit warmem Wasser befeuchteten Schwamm und neutralem Reinigungsmittel.
- ▶ Mit klarem warmem Wasser abspülen und mit einem weichen Tuch trocknen.
- ▶ Reinigen Sie keines der Geräteteile in einer Geschirrspülmaschine.
- ▶ Warten Sie mindestens 7 Minuten, bevor Sie das Gerät erneut einschalten, da häufiges Einschalten den Kompressor beschädigen kann.



Reinigen Sie die Türdichtung:

- ▶ Die Türdichtungen sollten alle 3 Monate gereinigt werden, um eine einwandfreie Abdichtung zu gewährleisten. Wie nachstehend : Entfernen Fassen Sie die Türdichtung und ziehen Sie sie gemäß Pfeilrichtung heraus, um die gesamte Türdichtung der Reihe nach zu entfernen.



Tauchen Sie die Bürste in Wasser oder essbarem Alkohol ein. Reinigen Sie zuerst die Türdichtungsnut, indem Sie die Bürste hin und her ziehen. Wischen Sie dann die Türdichtungsoberfläche mit einem Tuch ab, das in Wasser oder essbarem Alkohol getränkt ist. Waschen Sie schließlich die Türdichtung und wischen Sie sie mit einem sauberen Tuch trocken.

Montage der Türdichtung nach der Reinigung:

Vergewissern Sie sich vor dem Einbau, dass sich auf der Türdichtung kein Wasser befindet. Setzen Sie die Türdichtung in die Nut ein und drücken Sie die Türdichtung von Hand fest nach unten, bis die gesamte Türdichtung in die Nut eingeführt ist

Reinigung der Regale:

- ▶ Alle Regale können zur Reinigung herausgenommen werden.
- ▶ Nehmen Sie alle Flaschen heraus.
- ▶ Heben Sie jedes Regal etwas an und nehmen Sie es heraus.
- ▶ Reinigen Sie das Regal mit einem weichen Tuch.
- ▶ Warten Sie, bis die Regale trocken sind, bevor Sie sie wieder einsetzen.

WARNUNG:

Warten Sie mindestens 7 Minuten nach dem Ausschalten, bevor Sie das Gerät wiedereinschalten.

Überprüfen Sie das Zubehör und die Dokumentation gemäß dieser Liste: ohne Isolierung.

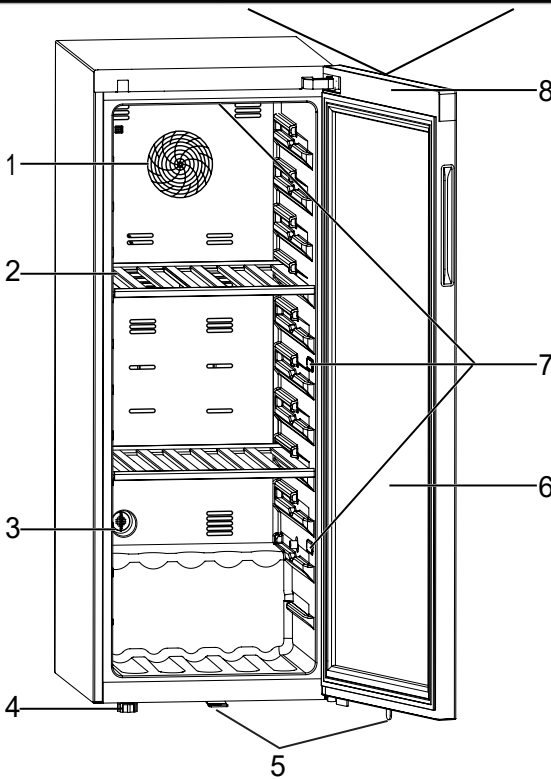
Name	Bedienungsanleitung	Servicekarte	Regal	kleines Regal	Scharnierabdeckung	Energie-label	Schlüssel	Tür Nocken
HWS84GA	1	1	6	1	1	1	2	2
HWS84GNF	1	1	6	1	1	1	2	2
HWS49GA	1	1	4	1	1	1	2	2
HWS49GAE	1	1	4	/	/	1	/	/
HWS66GGE	1	1	5	/	/	1	2	/



Anmerkung

Wegen der technischen Änderungen und verschiedenen Modellen, können einige der Abbildungen von Ihrem Modell abweichen.

Geräte Abbildung



- 1. Lüfter (mit Ausnahme von HWS49GAE), HWS66GGE)
- 2. Regal
- 3. Aktivkohlefilter
- 4. Verstellbare Füße

- 5. Schloss (mit Ausnahme von HWS49GAE)
- 6. Tür
- 7. LED-Leuchte
- 8. Anzeige (an der Vorderseite der Tür)

1. Auspacken

- ▶ Nehmen Sie das Gerät aus der Verpackung.
- ▶ Entfernen Sie alle Verpackungsmaterialien, die Schaumstoffbasis und alle Klebänder, mit denen das Zubehör befestigt ist.

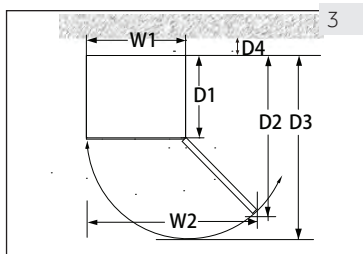
2. Umgebungsbedingungen

Die Raumtemperatur muss immer zwischen 10 °C und 38 °C betragen, da sie die Temperatur im Innenraum des Gerätes und seinen Stromverbrauch beeinflussen kann. Stellen Sie das Gerät nicht ohne Isolation in der Nähe von anderen Geräten (Herde, Kühlschränke) auf, die Hitze abgeben.

3. Platzbedarf

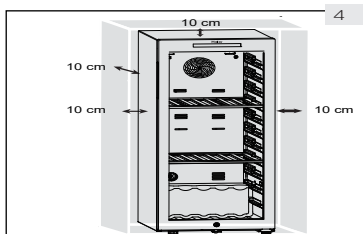
Benötigter Platz zum Öffnen der Tür (Abb. 3):

Breite in mm		Tiefe in mm			Abstand zur Wand in mm
W1	W2	D1	D2	D3	D4
495	630	535	1033	1047	100



4. Belüftungsabstand

Aus Sicherheitsgründen und für einen sparsamen Energieverbrauch muss ein Mindestabstand von 10 cm in allen Richtungen um das Gerät herum eingehalten werden (Abb. 4).



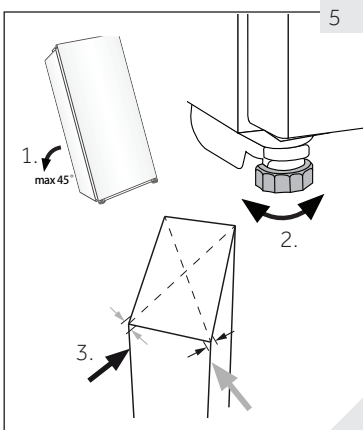
WARNUNG!

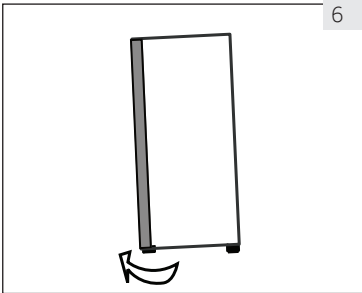
- ▶ Dieses Kühlgerät ist nicht für die Verwendung als Einbaugerät bestimmt
- ▶ Halten Sie Lüftungsöffnungen am Gerät oder in der Einbaustruktur frei von Blockaden.

5. Das Gerät ausrichten

Das Gerät muss auf eine flache und stabile Oberfläche gestellt werden.

1. Kippen Sie das Gerät leicht nach hinten (Abb. 5).
2. Bringen Sie die einstellbaren Füße durch Drehen auf die gewünschte Höhe.
3. Alternativ kann die Stabilität durch Anstoßen an die Diagonalen überprüft werden. Das leichte Schaukeln muss in beiden Richtungen das gleiche sein. Ansonsten kann der Rahmen sich verziehen; mögliche undichte Türöffnungen sind das Resultat. Eine leichte Tendenz nach hinten macht es einfacher die Tür zu schließen.





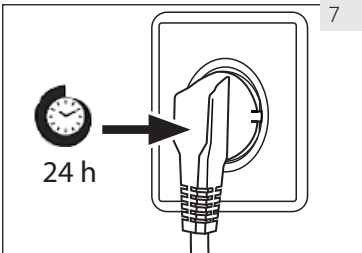
6

6. Feinjustierung der Tür

Das Gerät lässt sich leichter öffnen, wenn die Nivellierfüße an der Vorderseite verwendet wird:

Drehen Sie den einstellbaren Fuß (Abb. 6), um den Fuß nach oben oder unten zu drehen:

- ▶ Durch Drehen der Füße im Uhrzeigersinn wird das Gerät angehoben.
- ▶ Durch das Drehen der Füße gegen den Uhrzeigersinn wird das Gerät angehoben.



7

7. Wartezeit

Für die Wartung ist Schmieröl in der Kapsel des Kompressors enthalten. Dieses Öl kann während des Transports durch das geschlossene Leitungssystem gelangen, wenn das Gerät geneigt wird. Vor dem Anschließen des Gerätes an die Stromversorgung müssen Sie 24 Stunden warten (Abb. 7), sodass das Öl zurück in die Kapsel fließt.

8. Elektrischer Anschluss

Überprüfen Sie vor jedem Anschluss, ob:

- ▶ Stromversorgung, Steckdose und Sicherung mit dem Typenschild übereinstimmen,
- ▶ die Steckdose geerdet ist und kein Mehrfach-Stecker oder eine Verlängerung ist,
- ▶ der Netzstecker und die Steckdose genau übereinstimmen.

Verbinden Sie den Stecker mit einer sachgemäß montierten Haushaltssteckdose.



WARNUNG!

Ein beschädigtes Stromkabel muss durch den Kundendienst ersetzt werden (siehe Garantiekarte), um Risiken zu vermeiden.

9. Türanschlag verändern(mit Ausnahme von HWS49GAE,HWS66GGE)

Vor dem Anschluss des Gerätes an die Stromversorgung sollten Sie prüfen, ob der Türanschlag von rechts (im Auslieferungszustand) nach links geändert werden muss, wenn dies der Einbauort und die Gebrauchstauglichkeit erfordern.



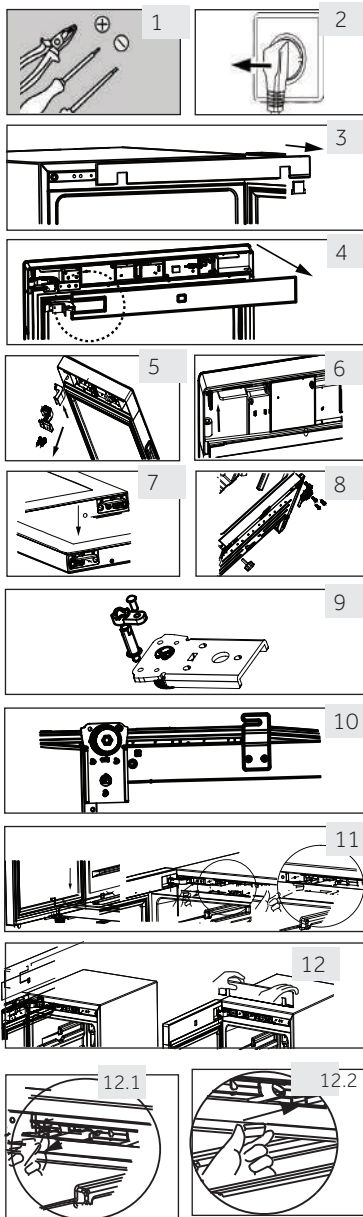
WARNUNG!

- ▶ Das Gerät ist schwer. Sie benötigen zwei Personen, um den Türanschlag zu ändern.
- ▶ Bevor Sie beginnen, ziehen Sie den Netzstecker.

Kippen Sie das Gerät nicht weiter als 45°, um eine Beschädigung des Kühlsystems zu vermeiden.

Montageschritte(mit Ausnahme von HWS49GAE,HWS66GGE)

1. Bereitstellung des erforderlichen Werkzeugs.
2. Das Gerät vom Netz trennen.
3. Öffnen Sie die Tür, nehmen Sie die vordere Leiste ab, suchen Sie die entsprechende Leiste, um die linke Seite zu entfernen, und legen Sie sie auf die rechte Seite des Spaltes.
4. Ziehen Sie den oberen Teil der Türdichtung heraus und entfernen Sie die hintere Türleiste. (Von der linken Seitenöffnung entfernen)
5. Entfernen Sie die 2 Schrauben am oberen Scharnier.
6. Deckel und Scharnier abnehmen, Achsabdeckung abnehmen, dann auf der anderen Seite montieren und das Scharnier in die Achse einsetzen.
7. Entfernen Sie den Nocken und den Türhalter, bewegen Sie den Türhalter auf die andere Seite der Tür. Installieren Sie den neuen Nocken aus dem Zubehör.
8. Neigen Sie den Schrank (weniger als 45°) und entfernen Sie das untere Scharnier (3 Schrauben) zur Sicherung.
9. Entfernen Sie den unteren Scharniernocken und die Scharnierwelle. Montieren Sie die Welle auf der rechten Seite des unteren Scharniers. Nehmen Sie den Nocken aus dem Zubehör und montieren Sie ihn auf der unteren Gelenkwelle.
10. Montieren Sie das untere Scharnier und den unteren Fuß auf der anderen Seite des Gerätes. Schmieren Sie den Nocken.
11. Montieren Sie die Tür auf der unteren Scharnierwelle und fixieren Sie das obere Scharnier mit zwei Schrauben am Schrank. Befestigen Sie die Signalleitungen in der Mitte der oberen Scharniernut und nehmen Sie die Scharnierabdeckung des Zubehörs und befestigen Sie sie am oberen Scharnier.
12. Montieren Sie die Türdichtung und das Türband an der Tür. Setzen Sie das Paar Türsignaldrähte ein, bewegen Sie den Magnetschalter (12.1) in den rechten Befestigungsschlitz (12.2) des oberen Balkenkastens und befestigen Sie die Frontblende des Gerätes.
13. Stellen Sie sicher, dass die Tür reibungslos geöffnet und geschlossen werden kann.



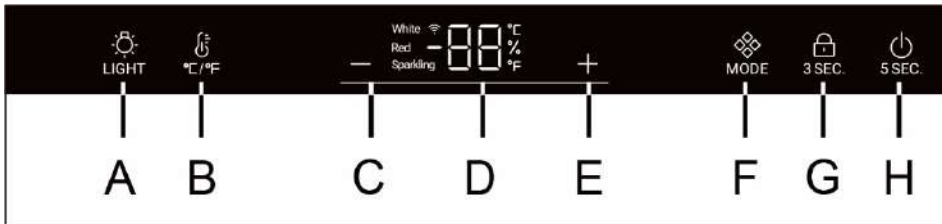
1. Vor dem ersten Gebrauch

- ▶ Entfernen Sie sämtliche Verpackungsmaterialien. Dazu gehören die Schaumstoffbasis und alle Klebänder, mit denen das Zubehör des Weinkühlers innen und außen befestigt ist. Halten Sie die Verpackungsmaterialien außer Reichweite von Kindern und entsorgen Sie diese umweltgerecht.
- ▶ Reinigen Sie das Gerät innen und außen mit Wasser und einem milden Reinigungsmittel bevor Sie es mit Wein füllen.
- ▶ Warten Sie mindestens 2 Stunden bevor Sie das Gerät an die Stromversorgung anschließen, nachdem das Gerät nivelliert und gereinigt wurde. Wenn Ihr Weinkühler aus welchem Grund auch immer geneigt wurde, müssen Sie 24 Stunden warten, bevor Sie diesen an die Stromversorgung anschließen dürfen. Siehe Abschnitt AUFSTELLUNG UND MONTAGE.
- ▶ Sobald Sie das Gerät mit der Steckdose verbunden haben, lassen Sie es zu Akklimatisierung mindestens 30 Minuten laufen, bevor Sie Anpassungen der Einstellungen vornehmen.
- ▶ Die Temperatur ist für beide Fächer automatisch auf 12°C eingestellt. Wenn Sie möchten, können Sie diese Temperaturen manuell ändern. Siehe dazu TEMPERATUR.

2. Berührungstasten

Die Tasten auf dem Bedienfeld sind Sensortasten, die reagieren, wenn Sie nur leicht berührt werden.

3. Beschreibung des Bedienfelds



A Innenraumleuchte

B Umschalttaste für °C/°F

C Temperatureinstelltaste: nach unten

D Anzeige


E Temperatureinstelltaste: nach oben


F Modus-Taste

G Sperrtaste

H Netzschalter

4. Automatische Sperrfunktion

Das Bedienfeld wird automatisch gesperrt, wenn länger als 30 Sekunden keine Taste bedient wurde, die  leuchtet.

–Zum Aufheben der Sperrfunktion drücken Sie auf die  Taste für drei Sekunden. Bei aktivierter Sperrfunktion wird die LED-Hintergrundbeleuchtung abgeblendet. Taste A wird nicht gesperrt.

5. Ein-/Ausschalttastenfunktion

Drücken Sie die 5 Sekunden auf die Taste H, um den Weinkühler auszuschalten.

Drücken Sie dann erneut 5 Sekunden auf die Taste H und der Weinkühler schaltet sich wieder ein.

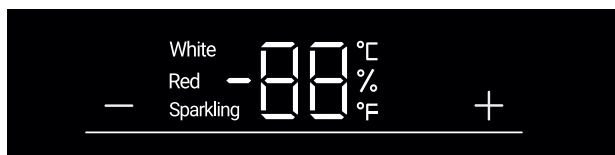
6. Temperatureinstellung



Anmerkung

Voreinstellungen

- ▶ Sobald Sie das Gerät mit der Steckdose verbunden haben, lassen Sie es zu Akklimatisierung mindestens 30 Minuten laufen, bevor Sie Anpassungen der Einstellungen vornehmen.
- ▶ Wenn das Gerät nach Ausschaltung von der Stromversorgung eingeschaltet wird, kann es mehrere Stunden dauern bis die richtige Temperatur erreicht wird. Die genaue jeweilige Zeit kann in Abhängigkeit von der Umgebungstemperatur und den Temperatureinstellungen variieren.



Wenn Sie die - oder -Taste drücken, wird die LCD-Anzeige eingeschaltet. Drücken Sie auf die - oder -

Taste zur Einstellung der gewünschten Temperatur. Temperatureinstellbereich: 5–20°C (41–68°F). Wenn Sie die Taste 3 Sekunden lang nicht drücken, wird die Temperatur bestätigt.

7. Betriebsartfunktion

Drücken Sie die Taste. Die Temperatur schaltet sich von Schaumwein (8°C oder 47°F) auf Weißwein (12°C oder 54°F) und Rotwein (16°C oder 61°F).

Empfohlene Temperatureinstellungen

Die folgenden Trinktemperaturen werden für die verschiedenen Weinsorten empfohlen.

Rotwein	+13°C bis +20°C (+55°F bis +68°C)	Schaumwein Prosecco	+5°C bis +8°C (+41°F bis 47°F)
Weißwein	+9°C bis +12°C (+48°F bis +54°F)		

Wenn Sie Wein für längere Zeit lagern, sollte die Lagerung bei einer Temperatur zwischen +10 °C und +12°C (50°F und +54°F) erfolgen.

8. Stand-by-Modus

Die Anzeige wird automatisch 30 Sekunden nach Sperrung des Bedienfelds gedimmt. Sie leuchtet automatisch nach dem Berühren einer beliebigen Taste oder durch das Öffnen der Tür auf.



Anmerkung Einfluss auf Temperaturen



Die Temperatur im Geräteinnern wird von folgenden Faktoren beeinflusst:

- ▶ Umgebungstemperatur
- ▶ Menge der gelagerten Flaschen
- ▶ Häufigkeit des Türöffnens
- ▶ Der Aufstellungsort des Geräts

Die Standardeinstellung beträgt 12°C

Wenn die Anzeige nicht länger blinkt, zeigt sie wieder die aktuelle Temperatur im Innenraum des Weinkühlers an. Es dauert einige Zeit, bis die eingestellte Temperatur erreicht wird.

9. Einstellung des Beleuchtungsmodus

Drücken Sie die  Taste. Wenn das Licht im Innenraum eingeschaltet ist, leuchten die Lampen schrittweise innerhalb von 2 Sekunde auf. Nach dem erneuten, einmaligen Drücken der  Taste, schaltet sich das Licht langsam stufenweise ab.

10. °C/°F Function

Drücken Sie die Taste,  um zwischen Fahrenheit und Celsius zu wechseln.

11. Ausschalt-Memoryfunktion

Bei Stromausfällen speichert der Weinkühler automatisch die eingestellte Temperatur. Nachdem die Stromversorgung wiederhergestellt wurde, läuft das Gerät mit der vor dem Stromausfall eingestellten Temperatur.

12. Ausgleichsfunktion bei niedrigen Temperaturen (mit Ausnahme von HWS49GAE, HWS66GGE)

Der Weinkühler verfügt über eine Ausgleichsfunktion bei niedrigen Temperaturen, um eine gleichmäßige Betriebstemperatur zu gewährleisten: Wenn die Umgebungstemperatur unter der eingestellten Temperatur liegt, schaltet der Weinkühler automatisch die Ausgleichsfunktion bei niedrigen Temperaturen ein, um das Gerät zu wärmen. Wenn die Temperatur im Gerät die eingestellte Temperatur erreicht hat, schaltet sich die Ausgleichsfunktion bei niedrigen Temperaturen automatisch ab.

13. Warnton bei offener Tür

Steht die Tür länger als 1 min lang offen, ertönt ein Alarmton bis die Tür geschlossen wird oder bis eine beliebige Taste auf dem Anzeigefeld betätigt wird, was auch zum Verstummen des Alarmtons führt.



Tipps zum Energiesparen

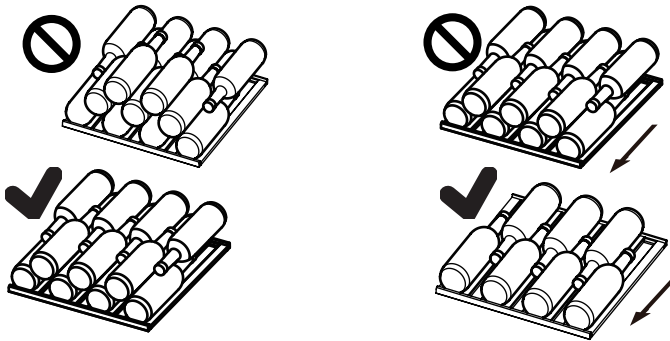
- ▶ Stellen Sie sicher, dass das Gerät ordnungsgemäß belüftet ist (siehe INSTALLATIONEN).
- ▶ Stellen Sie das Gerät nicht in direktem Sonnenlicht oder in der Nähe von Hitzequellen (z. B. Herden, Herden) auf.
- ▶ Vermeiden Sie unnötig niedrige Temperaturen im Gerät. Je niedriger die im Gerät eingestellte Temperatur, umso höher der Energieverbrauch.
- ▶ Öffnen Sie die Gerätetür so wenig und so kurz wie möglich.
- ▶ Überschreiten Sie nicht die festgelegte Anzahl an Flaschen, um den Luftstrom nicht zu behindern.
- ▶ Halten Sie Türdichtungen sauber, damit die Tür immer richtig schließt.
- ▶ Die energiesparendste Konfiguration erfordert den Einsatz von Schubladen, Lebensmittelboxen und Regalböden wie im fabriktischen Zustand im Gerät positioniert werden und Lebensmittel platziert werden, ohne den Luftauslass des Kanals zu blockieren

1. Regal


1. Die Regale sollen eine einfache Lagerung und Entnahme des Weins ermöglichen.– Sie lassen sich mit einem weichen Tuch reinigen.
2. Reguläre Flaschen mit einem Durchmesser von 76 mm können gestapelt werden.
3. Flaschen in Übergröße können auf dem untersten Regal gestapelt werden.
4. Die Menge kann von der gezeigten Anzahl abweichen und möglicherweise können die Flaschen anders gestapelt werden.

Hinweise zur Nutzung Ihres Weinkühlers

Wir empfehlen, dass die Weinflaschen in nicht mehr als zwei Schichten gestapelt werden sollten und die Last pro Weinregal 20 kg nicht übersteigen sollte. Bevor Sie die Flaschen in den Weinkühler stellen, überprüfen Sie bitte, ob die Weinregale vollständig stabil sind. Achten Sie zudem darauf, dass die Flaschen nicht über die Regalablagen hinausragen, damit die Flaschen beim Schließen nicht gegen die Glastür stoßen.



2. Die Beleuchtung

Das LED-Licht im Inneren leuchtet auf, wenn die Tür geöffnet wird. Zum Einschalten des Lichts bei geschlossener Tür, berühren Sie die  Taste. Zum Ausschalten der Beleuchtung berühren Sie die Taste noch einmal. Für eine verbesserte Energieeffizienz sollten die Lichter in der Nacht ausgeschaltet werden, wenn eine Beleuchtung des Weinkühlers nicht notwendig ist.

3. Das Schloss

Zum Verschließen des Weinkühlers, schließe Sie Tür und stecken Sie den Schlüssel in das Schloss:

- ▶ Verschließen Sie die Tür durch Drehen des Schlüssels gegen den Uhrzeigersinn;
- ▶ Öffnen Sie die Tür durch Drehen des Schlüssels im Uhrzeigersinn;

1. Abtauen

Das Abtauen des Weinkühlers findet automatisch statt, manuelles Abtauen ist nicht notwendig.

2. Die LED-Leuchte ersetzen

Die Lampe verwendet LED als Lichtquelle, was einen niedrigen Stromverbrauch und eine lange Lebensdauer zum Resultat hat. Wenn eine Abweichung vorliegt, kontaktieren Sie bitte den Kundendienst. Siehe KUNDENDIENST.



WARNUNG!

Ersetzen Sie die LED-Leuchte nicht selbst. Sie muss entweder durch den Hersteller oder den autorisierten Dienstleister ersetzt werden.

Parameter der LED-Leuchte:

Spannung 12V; Max. Leistung: 8W (für HWS84G, HWS49GNF and HWS66GGE)
Spannung 12V; Max. Leistung: 5W (für HWS49GAE und HWS49GA)

3. Nicht-Gebrauch für einen längeren Zeitraum

Ziehen Sie den Netzstecker aus der Steckdose.

Reinigen Sie das Gerät und die Türdichtungen wie zuvor beschrieben.

Halten Sie die Tür offen, um die Entstehung von schlechten Gerüchen im Innern zu vermeiden.

4. Transport des Geräts

1. Nehmen Sie alle Flaschen heraus und ziehen Sie den Stecker heraus.
2. Regale und andere bewegliche Teile im Weinkühler mit Klebeband sichern.
3. Kippen Sie den Weinkühler nicht mehr als 45°, um zu vermeiden, dass das Kühlsystem beschädigt wird.

5. Luftaustausch mit Aktivkohlefilter

Der Verlauf der Weinreifung hängt von den Umgebungsbedingungen ab. Die Qualität der Luft ist somit entscheidend für die verlustfreie Lagerung des Weins. In den unteren Bereich der Geräterückwand ist ein Aktivkohlefilter eingebaut, um Rückstände einer optimalen Qualität durchzuleiten.



Anmerkung

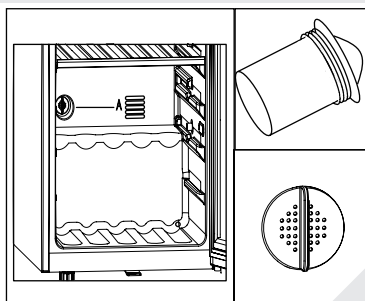
Wir empfehlen, den Aktivkohlefilter einmal jährlich auszuwechseln. Filter können über Ihren Händler bezogen werden.

Austausch des Filters:

Fassen Sie den Filter am Griff. Drehen diesen nach links und nehmen Sie ihn heraus.

Einsetzen des Filters:

Setzen Sie diesen mit dem Griff in vertikaler Position ein. Drehen diesen nach rechts und setzen Sie ihn ein.



Viele auftretende Probleme können Sie selbst ohne spezielles Fachwissen lösen. Falls einmal ein Problem auftreten sollte, prüfen Sie sämtliche erwähnten Ursachen und probieren die nachstehenden Abhilfemaßnahmen, bevor Sie sich an den Kundendienst wenden. Siehe KUNDENDIENST.



WARNUNG!

- ▶ Schalten Sie das Gerät aus und ziehen Sie den Netzstecker aus der Steckdose, bevor Sie das Gerät warten.
- ▶ Da elektrische Arbeiten zu schweren Folgeschäden führen können, sollten solche Tätigkeiten nur von Elektrofachleuten ausgeführt werden.
- ▶ Ein geschädigtes Netzkabel darf nur vom Hersteller, seinem Dienstleister oder einer ähnlich qualifizierten Person durchgeführt werden, um Risiken zu vermeiden.

Fehlercode	Ursache	Lösung
rH	Die Temperatur ist zu hoch.	Bitte wenden Sie sich an unseren Kundendienst.
rL	Die Temperatur ist zu niedrig.	Bitte überprüfen Sie die Umgebungstemperatur sollte zwischen 10 °C und 38 °C liegen.

Problem	Mögliche Ursache	Mögliche Lösung
Der Kompressor funktioniert nicht.	<ul style="list-style-type: none"> Netzstecker ist nicht mit der Steckdose verbunden. 	<ul style="list-style-type: none"> Verbinden Sie den Netzstecker.
Das Gerät läuft häufig oder läuft für einen zu langen Zeitraum.	<ul style="list-style-type: none"> Die Außentemperatur zu hoch. Das Gerät war für einen Zeitraum nicht an den Strom angeschlossen. Eine Tür des Geräts ist nicht fest verschlossen. Die Tür wurde zu häufig und zu lange geöffnet. Die Türdichtungen sind schmutzig, verschlissen, gerissen oder falsch angepasst. Die erforderliche Luftzirkulation ist nicht sichergestellt. Die Temperatur ist zu niedrig eingestellt. 	<ul style="list-style-type: none"> In diesem Fall ist es normal, dass das Gerät länger läuft. Es dauert normalerweise einige Zeit, bis das Gerät vollständig heruntergekühlt ist. Schließen Sie die Tür und stellen Sie sicher, dass das Gerät auf geradem Boden steht und keine Lebensmittel oder Behälter gegen die Tür schlagen. Öffnen Sie die Türen nicht zu häufig. Reinigen Sie die Türdichtung oder lassen Sie diese durch den Kundendienst ersetzen. Sorgen Sie für angemessene Belüftung. Das Problem löst sich von allein, sobald die gewünschte Temperatur erreicht ist.
Der Innenraum des Weinkellers ist schmutzig und/oder riecht unangenehm.	<ul style="list-style-type: none"> Der Innenraum des Weinkühlers muss gereinigt werden. 	<ul style="list-style-type: none"> Reinigen Sie den Innenraum des Weinkühlers.
Es ist nicht kalt genug im Inneren des Geräts.	<ul style="list-style-type: none"> Die Temperatur ist zu hoch eingestellt. Kurz zuvor wurden Flaschen in das Gerät gestellt. Eine Tür des Geräts ist nicht fest verschlossen. Die Tür wurde zu häufig und zu lange geöffnet. Die Türdichtungen sind schmutzig, verschlissen, gerissen oder falsch angepasst. 	<ul style="list-style-type: none"> Stellen Sie die Temperatur neu ein. Warten Sie einige Zeit, damit die kurz zuvor in das Gerät gestellten Flaschen die gewünschte Temperatur erreichen können. Schließen Sie die Tür. Öffnen Sie die Türen nicht zu häufig. Reinigen Sie die Türdichtung oder lassen Sie diese durch den Kundendienst ersetzen.
Es ist zu kalt im Inneren des Geräts.	<ul style="list-style-type: none"> Die Temperatur ist zu niedrig eingestellt. 	<ul style="list-style-type: none"> Stellen Sie die Temperatur neu ein.
Feuchtigkeitsbildung im Innenraum des Kühlschranks.	<ul style="list-style-type: none"> Das Klima ist zu warm und zu feucht. Eine Tür des Geräts ist nicht fest verschlossen. Die Tür wurde zu häufig und zu lange geöffnet. 	<ul style="list-style-type: none"> Erhöhen Sie die Temperatur. Schließen Sie die Tür. Öffnen Sie die Tür/Schublade nicht zu häufig.

Problem	Mögliche Ursache	Mögliche Lösung
Auf der Oberfläche der Weinkühleraußenseite bildet sich Feuchtigkeit.	<ul style="list-style-type: none"> • Das Klima ist zu warm und zu feucht. • Die Tür schließt nicht dicht ab. Durch die kalte Luft im Gerät und die warme Außenluft bildet sich Kondensat. 	<ul style="list-style-type: none"> • Bei feuchtem Klima ist das normal und es ändert sich, wenn die Luftfeuchtigkeit sinkt. • Achten Sie darauf, dass die Tür fest geschlossen ist und die Türdichtungen einwandfrei versiegeln.
Das Gerät macht abnormale Geräusche – –	<ul style="list-style-type: none"> • Das Gerät steht nicht auf ebenem Boden. • Das Gerät berührt einen Gegenstand in seiner Umgebung. 	<ul style="list-style-type: none"> • Passen Sie die Füße an, um das Gerät zu nivellieren. • Entfernen Sie Gegenstände um das Gerät herum.
Ein leiser Ton ist zu hören, ähnlich dem von fließendem Wasser.	<ul style="list-style-type: none"> • Das ist normal 	<ul style="list-style-type: none"> • –
Das Licht oder das Kühlsystem im Innenraum funktioniert nicht.	<ul style="list-style-type: none"> • Netzstecker ist nicht mit der Steckdose verbunden. • Die Stromversorgung ist nicht intakt. • Die LED-Lampe funktioniert nicht. 	<ul style="list-style-type: none"> • Verbinden Sie den Netzstecker. • Überprüfen Sie die Stromzufuhr zum Raum. Rufen Sie den örtlichen Stromversorger an. • Bitte rufen Sie den Kundendienst an, damit dieser den Austausch vornimmt
Die Seitenwände des Weinkühlers und die Türverkleidung werden warm.	<ul style="list-style-type: none"> • Das ist normal. 	<ul style="list-style-type: none"> • –
Die Tür schließt sich nicht ordnungsgemäß.	<ul style="list-style-type: none"> • Das Gerät steht nicht gerade. • Die Tür ist blockiert. 	<ul style="list-style-type: none"> • Bringen Sie das Gerät mithilfe der Nivellierungsfüße in eine gerade Position. • Prüfen Sie, ob Flaschen oder Regaleinsätze die Tür blockieren.

Um die technische Unterstützung zu kontaktieren, besuchen Sie unsere Website: <https://corporate.haier-europe.com/en/>. Wählen Sie im Bereich „Website“ die Marke Ihres Produkts und Ihr Land aus. Sie werden auf die jeweilige Website weitergeleitet, auf der Sie die Telefonnummer und das Formular finden, um die technische Unterstützung zu kontaktieren.

Produktbeschreibung gemäß EU-Verordnung Nr.2019/2016

Marke	Haier	Haier	Haier
Modellname / Kennzeichnung	HWS49GA /HWS49GAE	HWS84GNF	HWS84GA /HWS66GGE
Kategorie	Weinkühler	Weinkühler	Weinkühler
Haushaltskühlkategorie	I	I	I
Energieeffizienzklasse	F	F	G
Jährlicher Energieverbrauch (in kWh/Jahr) ¹⁾	104	110	149/153
Lagervolumen (l)	116/118	198	198
Klimaklasse: Dieses Gerät sollte bei einer Umgebungstemperatur zwischen 10°C und 38°C eingesetzt werden .	SN N ST	SN N ST	SN N ST
Luftschallemissionen (db(A) re 1pW)	C(37)	C(37)	C(37)
Art des Geräts	Freistehend	Freistehend	Freistehend
Dieses Gerät ist ausschließlich für die Lagerung von Wein bestimmt. –	Ja	Ja	Ja
Abmessungen (T/B/H in mm)	585/497/820	585/497/1270	585/497/1270

Erläuterungen:

1) basierend auf Standard-Testergebnissen für 24 Stunden. Der tatsächliche Energieverbrauch hängt von der aktuellen Umgebung, der Anzahl an Flaschen, der eingestellten Temperatur, dem Öffnen und Schließen der Tür, usw. ab

2) Die Nennleistungsaufnahme ist der Wert, der gemäß der Standardprüfung ermittelt wird, wenn das Innenlicht des Weinklimaschranks nicht eingeschaltet ist.

—erweiterte gemäßigte Zone: „Dieses Kühlgerät ist für die Verwendung bei Umgebungstemperaturen von 10 °C bis 32 °C bestimmt.“;

—gemäßigte Zone: „Dieses Kühlgerät ist für die Verwendung bei Umgebungstemperaturen von 16°C bis 32 °C bestimmt.“;

—subtropische Zone: „Dieses Kühlgerät ist für die Verwendung bei Umgebungstemperaturen von 16 °C bis 38 °C bestimmt.“;

—tropische Zone: „Dieses Kühlgerät ist für die Verwendung bei Umgebungstemperaturen von 16°C bis 43 °C bestimmt.“;

Standards und Richtlinien

Dieses Produkt erfüllt die Anforderungen sämtlicher zutreffenden EU-Richtlinien mitsamt entsprechenden harmonisierten Standards zur Vergabe der CE-Kennzeichnung.

Wir empfehlen unseren Haier Kundendienst und den Gebrauch von originalen Ersatzteilen. Wenn Sie ein Problem mit Ihrem Gerät haben sollten, sehen Sie bitte zuerst im Abschnitt FEHLERBEHEBUNG nach.

Wenn Sie hierfür keine Lösung finden, kontaktieren Sie bitte

- Ihren Händler vor Ort. Alternativ
- den Kundendienst auf www.haier.com, wo Sie die Telefonnummern und FAQs finden und wo Sie den Gewährleistungsantrag stellen können.

Stellen Sie bitte sicher, dass Sie im Besitz der nachfolgenden Angaben sind, um unseren Kundendienst zu kontaktieren.

Die Informationen sind auf dem Typenschild zu finden.

Modell _____ Seriennummer _____

Im Fall von Gewährleistung überprüfen Sie bitte ebenfalls die Garantiekarte, die mit dem Produkt geliefert wurde.

Bei allgemeinen geschäftlichen Anfragen wenden Sie sich bitte an unsere Niederlassungen in Europa, wie unten genannt:

Europäische Haier-Niederlassungen

Land*	Anschrift	Land	Anschrift
Italien	Haier Europe Trading SRL Via De Cristoforis, 12 21100 Verese ITALIEN	Frankreich	Haier France SAS 3-5 rue des Graviers 92200 Neuilly sur Seine FRANKREICH
Spanien Portugal	Haier Iberia SL Pg. Garcia Faria, 49-51 08019 Barcelona SPANIEN	Belgien-FR Belgien-NL Niederlande Luxemburg	Haier Benelux SA Anderlecht Route de Lennik 451 BELGIEN
Deutschland Österreich	Haier Deutschland GmbH Hewlett-Packard-Str. 4 D-61352 Bad Homburg DEUTSCHLAND	Polen Tschechien Ungarn Griechenland Rumänien Russland	Haier Benelux SA Haier Poland Sp. zo.o. Al. Jerozolimskie 181B 02-222 Warszawa POLEN
Großbritannien	Haier Appliances UK Co. Ltd. One Crown Square Church Street East Woking, Surrey, GU21 6HR Großbritannien		

VERFÜGBARKEIT VON ERSATZTEILEN

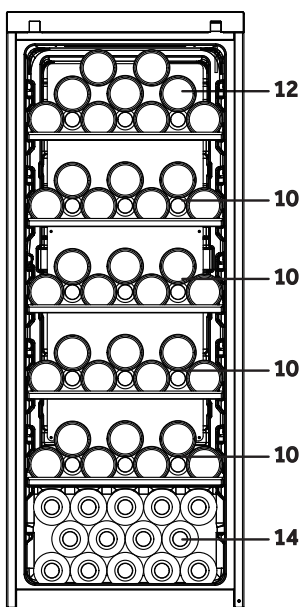
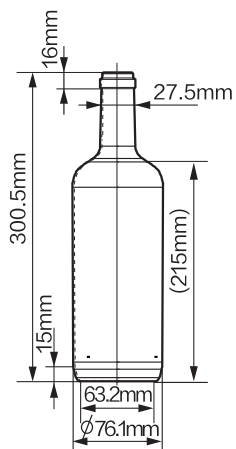
Thermostate, Temperatursensoren, Leiterplatten und Lichtquellen sind nach dem Inverkehrbringen der letzten Einheit des Modells mindestens sieben Jahre lang verfügbar.

Türgriffe, Türscharniere, Tablett und Körbe für einen Zeitraum von mindestens sieben Jahren und Türdichtungen für einen Zeitraum von mindestens zehn Jahren, nachdem die letzte Einheit des Modells auf den Markt gebracht wurde.

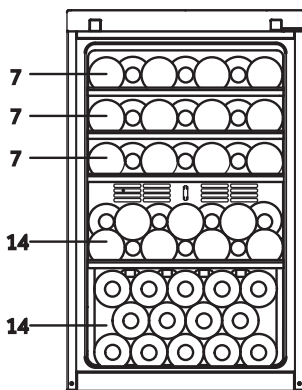
GARANTIE

Die Mindestgarantie beträgt: 2 Jahre für EU-Länder, 3 Jahre für die Türkei, 1 Jahr für Großbritannien, 1 Jahr für Russland, 3 Jahre für Schweden, 2 Jahre für Serbien, 5 Jahre für Norwegen, 1 Jahr für Marokko, 6 Monate für Algerien. Tunesien keine gesetzliche Garantie erforderlich.

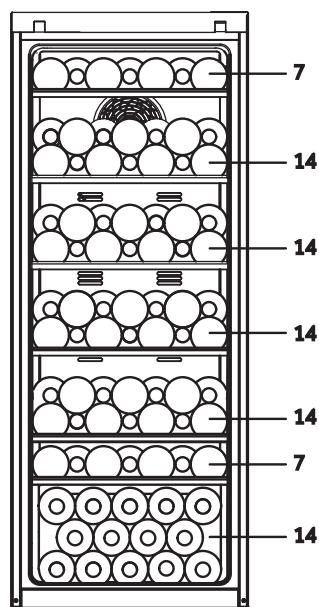
Weitere Informationen zum Produkt erhalten Sie unter <https://eprel.ec.europa.eu/> oder scannen Sie den QR auf dem mit dem Gerät gelieferten Energieetikett



(66)
HWS66GGE



(49)
HWS49GA
HWS49GAE



(84)
HWS84GA
HWS84GNF

HWS-84GA-49GA-49GAE-84GNF-66GGE-DE

Haier



Manuel d'Utilisation

Cave à vin

HWS84GA

HWS84GNF

HWS49GA

HWS49GAE

HWS66GGE

FR

Haier

Nous vous remercions d'avoir acheté un produit Haier.

Veillez lire attentivement ces instructions avant d'utiliser l'appareil. Ces instructions sont des informations utiles vous permettant de mieux exploiter cet appareil, et vous assurer une installation, une utilisation et un entretien sécurisés et adéquats.

Veillez conserver ce manuel dans un endroit approprié afin de toujours vous y référer pour une utilisation sécurisée et adéquate de l'appareil.

Si vous devez vendre, donner ou abandonner l'appareil pour cause de déménagement, assurez-vous également de laisser ce manuel afin que le prochain utilisateur puisse maîtriser l'appareil, notamment les règles de sécurité.



Légende

Avertissement- Consignes importantes de sécurité



Informations générales et conseils



Mise au rebut

Contribuer à la protection de l'environnement et de la santé humaine. Veuillez mettre les emballages au rebut dans les contenants prévus pour leur recyclage. Contribuez à recycler les déchets d'appareils électriques et électroniques. Ne mettez pas au rebut les appareils marqués de ce symbole avec les ordures ménagères. Veuillez déposer l'appareil dans votre usine de recyclage locale ou prendre contact avec votre bureau municipal.



LE TRI
+ FACILE



AVERTISSEMENT !

Risque de blessure ou d'asphyxie !

Les réfrigérants et les gaz doivent être mis au rebut par des professionnels. Avant toute mise au rebut, assurez-vous que la tuyauterie du système de réfrigération n'est pas endommagée. Débranchez l'appareil de l'alimentation principale. Coupez le câble principal et mettez-le au rebut. Retirez les plateaux et coffrets ainsi que le verrou de porte et les joints, pour éviter qu'un enfant ou un animal domestique ne reste coincé dans l'appareil.

Les vieux appareils ont encore une valeur résiduelle. Une méthode écologique de mise au rebut permet le recyclage et la réutilisation de ces matériaux bruts de valeur.

Le cyclopentane, une substance inflammable sans danger pour l'ozone, est utilisé comme un détendeur pour la mousse isolante.

En assurant la mise au rebut adéquate de ce produit, vous pourrez empêcher toute conséquence négative pour l'environnement et pour la santé humaine.

Pour de plus amples informations sur le recyclage de cet appareil, veuillez contacter votre municipalité, votre service de traitement des déchets ménagers ou votre fournisseur.

Consignes de sécurité	4
Entretien.....	11
Accessoires	13
Description du produit.....	14
Installation.....	15
Utilisation	18
Conseils pour économiser de l'énergie	21
Équipement.....	22
Entretien et nettoyage.....	23
Dépannage	24
Service Clients	28
Empilage de bouteilles de vin.....	29

Cet appareil est destiné à être utilisé exclusivement pour le stockage du vin. Avant d'allumer l'appareil pour la première fois, lisez les conseils de sécurité suivants :



AVERTISSEMENT !

Avant la première utilisation

- ▶ Vérifiez qu'il n'existe aucun dommage lié au transport.
- ▶ Retirez tous les emballages et les garder hors de portée des enfants et les éliminer d'une manière respectueuse de l'environnement.
- ▶ Attendez au moins deux heures avant d'installer l'appareil pour une meilleure efficacité du système de réfrigération.
- ▶ Il faut toujours au moins deux personnes pour la manipulation de l'appareil car il est lourd.

Installation

- ▶ L'appareil doit être placé dans un endroit bien ventilé. Veillez à laisser un espace d'au moins 10 cm au-dessus et autour de l'appareil.
- ▶ **AVERTISSEMENT** : Les ouvertures d'aération du boîtier de l'appareil ou du modèle encastrable doivent être libres de toute obstruction.
- ▶ Ne jamais placer l'appareil dans un endroit humide ou dans un endroit où il pourrait être éclaboussé d'eau. Nettoyez et séchez les éclaboussures d'eau et les taches avec un chiffon doux et propre.
- ▶ N'installez pas votre cave à vin dans un endroit pas correctement isolé ou chauffé tel que le garage. Elle n'est pas destinée à fonctionner à des températures ambiantes inférieures à 10 °C.
- ▶ N'exposez pas l'appareil à la lumière directe du soleil ou à proximité des sources de chaleur (par exemple, les cuisinières, chauffe-eau).
- ▶ Installez et positionnez l'appareil dans un espace adéquat tenant compte de sa taille et son utilisation.
- ▶ Veillez à ce que les indications électriques figurant sur la plaque signalétique correspondent à l'alimentation électrique. Si ce n'est pas le cas, contactez un électricien.
- ▶ L'appareil est alimenté en 220-240 VAC/50 Hz. Une tension anormale fluctuation peut provoquer un mauvais démarrage de l'appareil, des dommages au contrôle de température ou au compresseur, ou un bruit anormal lors du fonctionnement. Dans ce cas, un régulateur automatique doit être monté.
- ▶ N'utilisez pas d'adaptateurs multiprises ni de rallonges.

**AVERTISSEMENT !**

- ▶ **AVERTISSEMENT** : N'installez pas plusieurs prises d'alimentation portatives ou blocs d'alimentation portatifs à l'arrière de l'appareil.
- ▶ **AVERTISSEMENT** : Lors du positionnement de l'appareil, assurez-vous que le cordon d'alimentation n'est pas coincé ou endommagé.
- ▶ Évitez de marcher sur le câble d'alimentation.
- ▶ Pour l'alimentation électrique, utilisez une prise avec terre différente facilement accessible. Mettez à la terre cet appareil.
- ▶ **Uniquement pour le Royaume-Uni**: Cet appareil est équipé d'un cordon d'alimentation avec fiche à 3 fils (mise à la terre), répondant aux normes de la prise à 3 fils (mise à la terre). Ne coupez jamais ou ne démontez jamais le troisième fil (mise à la terre). Après l'installation de l'appareil, la prise doit être accessible.
- ▶ **AVERTISSEMENT** : Évitez d'endommager le circuit frigorifique.

Utilisation quotidienne

- ▶ Cet appareil peut être utilisé par des enfants âgés d'au moins 8 ans, ainsi que par des personnes ayant des capacités physiques, sensorielles ou mentales réduites ou sans expérience et connaissances, si elles sont encadrées ou formées à l'utilisation sécurisée de l'appareil et comprennent les risques y relatifs.
- ▶ Les enfants ne doivent pas jouer avec l'appareil.
- ▶ Les enfants âgés de 3 à 8 ans sont autorisés à charger et décharger les appareils frigorifiques, mais ne sont pas autorisés à les nettoyer et à les installer.
- ▶ Tenez les enfants de moins de 3 ans hors de portée de l'appareil, sauf s'ils sont en permanence surveillés.
- ▶ Le nettoyage et l'entretien par l'utilisateur ne doivent pas être effectués par les enfants sans supervision.
- ▶ Positionnez l'appareil de sorte que la prise soit accessible
- ▶ En cas de fuite de gaz froid ou de tout autre gaz inflammable aux alentours de l'appareil, arrêtez la vanne d'alimentation du gaz qui s'échappe, ouvrez portes et fenêtres et ne débranchez pas le câble d'alimentation de l'appareil.
- ▶ Attendez au moins 7 minutes pour rebrancher l'alimentation après tout débranchement.
- ▶ Ne soulevez pas l'appareil à l'aide de ses poignées.
- ▶ Tenez les clés hors de portée des enfants et pas aux alentours de l'appareil pour éviter que les enfants ne se retrouvent coincés dans l'appareil.



AVERTISSEMENT !

- ▶ Rassurez-vous que l'appareil est programmé pour fonctionner à une plage de température entre 10 et 38 °C. L'appareil pourrait ne pas bien fonctionner si vous le faites fonctionner pendant longtemps à une température en dessous ou au-dessus de la plage indiquée.
- ▶ Ne placez pas des objets instables (objets lourds, récipients remplis d'eau) au-dessus de l'appareil pour éviter tout dommage corporel suite à une chute de l'objet ou un choc électrique causé par le contact avec l'eau.
- ▶ N'ouvrez et ne fermez la porte qu'avec les poignées. L'espace entre la porte et l'armoire est très étroit. Ne mettez pas vos mains dans ces zones pour éviter de vous pincer les doigts. N'ouvrez ou ne fermez les portes de l'appareil que si aucun enfant ne se trouve dans la zone de mouvement de la porte.
- ▶ Évitez de ranger ou utiliser des produits inflammables, des explosifs ou des matières corrosives à l'intérieur ou autour de l'appareil.
- ▶ Ne stockez pas des substances explosives comme les aérosols contenant un agent propulseur inflammable dans cet appareil.
- ▶ Ne conservez pas de médicaments, de bactéries ou d'agents chimiques dans l'appareil. Cet appareil est un appareil ménager. Il n'est pas recommandé d'entreposer des matériaux qui exigent des températures strictes.
- ▶ Ne réglez pas la température inutilement basse dans le compartiment de la cave à vin. Les températures basses peuvent survenir lorsque les températures hautes sont programmées. Attention : Les bouteilles peuvent éclater
- ▶ Ne touchez pas la surface intérieure du compartiment congélateur pendant qu'il est en marche, notamment avec les mains mouillées ; vos mains pourraient se congeler sur la surface.
- ▶ Pour un refroidissement correct du vin, ne surchargez pas l'appareil.
- ▶ Débranchez l'appareil en cas de panne de courant ou avant le nettoyage. Attendez au moins 7 minutes avant de redémarrer l'appareil, car des démarrages fréquents peuvent endommager le compresseur.
- ▶ **AVERTISSEMENT :** N'utilisez pas d'appareils électriques de type autre que ceux recommandés par le fabricant, à l'intérieur de l'appareil. Pour éviter tout risque, le cordon d'alimentation endommagé doit être remplacé par le service client (voir le certificat de garantie).
- ▶ Pour prolonger la durée de vie de l'appareil, évitez de l'arrêter.
- ▶ Ne placez jamais l'appareil horizontalement sur le sol. Après avoir incliné l'appareil de plus de 45°, attendez 24 heures avant de le brancher.



AVERTISSEMENT !

Entretien et nettoyage

- ▶ Assurez-vous que les enfants sont sous surveillance lors du nettoyage et de l'entretien.
- ▶ Débranchez l'appareil de l'alimentation électrique avant d'entreprendre tout entretien. Attendez au moins 7 minutes avant de redémarrer l'appareil, car plusieurs redémarrages endommagent le compresseur.
- ▶ Tenez la fiche et non le cordon pour débrancher l'appareil.
- ▶ Évitez de nettoyer l'appareil à l'aide de brosses dures, métalliques, de détergent en poudre, d'essence, d'acétate d'amyle, d'acétone et toute autre solution similaire organique, acide ou alcaline. Veuillez nettoyer avec un détergent spécial pour réfrigérateur/congélateur afin d'éviter tout dommage. Pour terminer, utilisez de l'eau tiède et une solution de bicarbonate de soude - environ une cuillère à soupe de bicarbonate de soude pour un litre/quart d'eau. Rincer abondamment à l'eau et essuyez. N'utilisez pas de poudres nettoyantes ou d'autres nettoyants abrasifs. Évitez de placer les pièces amovibles dans le lave-vaisselle.
- ▶ **AVERTISSEMENT :** N'utilisez pas d'appareils mécaniques ou des moyens autres que ceux recommandés par le fabricant pour accélérer le processus de dégivrage.
- ▶ Si le cordon d'alimentation est endommagé, faites-le remplacer par le fabricant, son agent de service ou par des personnes qualifiées similaires afin d'éviter tout risque.
- ▶ N'essayez pas de réparer, de démonter ou de changer vous-même l'appareil. En cas de réparation, veuillez contacter notre service clientèle.
- ▶ Si les lampes d'éclairage sont endommagées, elles doivent être remplacées par le fabricant, son agent de service ou des personnes qualifiées similaires afin d'éviter tout risque.
- ▶ Dépoussiérez l'arrière de l'appareil au moins une fois par an afin d'éviter tout risque d'incendie, et pour réduire votre consommation énergétique.

- ▶ N'utilisez pas de vaporisateur ou ne rincez pas l'appareil pendant le nettoyage.
- ▶ N'utilisez pas un pulvérisateur d'eau ou nettoyant à vapeur pour nettoyer l'appareil.
- ▶ Ne nettoyez pas la porte de congélation en verre avec de l'eau chaude. Le changement soudain de température pourrait briser le verre.
- ▶ Si vous laissez votre appareil hors d'usage pendant une période prolongée, pensez à le laisser ouvert pour éviter que des odeurs et des odeurs désagréables ne s'y accumulent.

Informations sur le gaz frigorigène



AVERTISSEMENT !

Cet appareil contient du réfrigérant inflammable ISOBUTANE (R600a). Assurez-vous que le système de réfrigération n'est pas endommagé pendant le transport et l'installation. Une fuite de gaz frigorigène pourrait causer des dommages oculaires ou un incendie. En cas de dommage, veuillez vous éloigner des sources d'incendie visibles, aérez correctement la pièce, **évit**ez de brancher et de débrancher les cordons d'alimentation de l'appareil ou de tout autre appareil. Informez le service clientèle.

En cas de contact avec les yeux, rincez-les abondamment avec de l'eau et consultez immédiatement un ophtalmologue.

AVERTISSEMENT : Le système de réfrigération est sous haute pression. Ne le tripatouillez pas. Étant donné que les réfrigérants inflammables sont utilisés, veuillez installer, manipuler et entretenir l'appareil en suivant strictement les instructions et contacter le professionnel ou notre service après-vente pour mettre l'appareil au rebut.

Utilisation prévue


Cet appareil est destiné à une utilisation domestique et à d'autres applications similaires, notamment :

- les espaces de cuisine dans les boutiques, bureaux et autres environnements de travail ;
 - les maisons de campagne, les chambres d'hôtel, de motel et d'autres types de résidence ;
 - les chambres ou les salles de petit-déjeuner ;
 - les restaurants et les espaces semblables de vente en gros.
- Afin d'assurer la sécurité de la conservation du vin, veuillez respecter cette notice d'utilisation.
- Les détails concernant la partie la plus appropriée du compartiment de l'appareil où des types spécifiques d'aliments doivent être stockés, compte tenu de la répartition de la température qui peut être présente dans les différents compartiments de l'appareil, figurent dans l'autre partie du manuel.

Aucune modification ou altération de cet appareil n'est autorisée. Toute utilisation inadéquate vous expose à des risques et la perte des droits de garantie.

Mise au rebut



Le  symbole apposé sur l'appareil ou sur son emballage indique que ce produit ne doit pas être éliminé avec les ordures ménagères. Rendez-vous plutôt dans un point de collecte approprié pour le recyclage des équipements électriques et électroniques. En assurant la mise au rebut adéquate de ce produit, vous pourrez empêcher toute conséquence négative pour l'environnement et la santé humaine causée par l'élimination incorrecte de ce produit. Pour de plus amples informations sur le recyclage de cet appareil, veuillez contacter votre municipalité, votre service de traitement des déchets ménagers ou votre fournisseur.

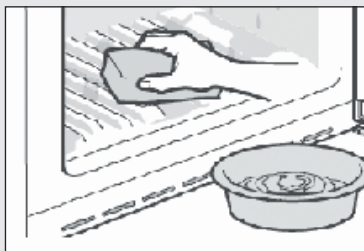
Dans la mesure où les gaz de soufflage d'isolation inflammables sont utilisés, contactez votre agent professionnel ou notre service après-vente pour la mise au rebut de l'appareil.

AVERTISSEMENT !

Risque de blessure ou d'asphyxie !

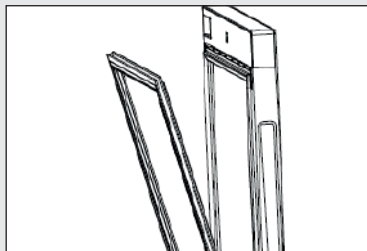
Les réfrigérants et les gaz doivent être mis au rebut par des professionnels. Avant toute mise au rebut, assurez-vous que la tuyauterie du système de réfrigération n'est pas endommagée. Débranchez l'appareil de l'alimentation principale. Coupez le câble principal et mettez-le au rebut. Retirez les plateaux, les tiroirs, le verrou de la porte et les joints pour éviter qu'un enfant ou un animal domestique ne soit coincé dans l'appareil.

- ▶ **AVERTISSEMENT** : Débranchez l'appareil de la prise d'alimentation avant de le nettoyer.
- ▶ Évitez de nettoyer l'appareil à l'aide de brosses dures, métalliques, de détergents en poudre, d'essence, d'acétate d'amyle, d'acétone et toute autre solution organique, acide ou alcaline similaire. Veuillez nettoyer avec du détergent spécial réfrigérateur pour éviter tout dommage.
- ▶ Nettoyez l'appareil lorsqu'il ne comporte que peu ou pas de vin stocké ; le nettoyage n'est nécessaire que lorsqu'il est sale.
- ▶ Nettoyez l'intérieur et l'extérieur de l'appareil avec une éponge humide trempée dans de l'eau tiède et un détergent doux.
- ▶ Rincez avec de l'eau tiède propre et faites sécher à l'aide d'un chiffon doux.
- ▶ Ne lavez aucune pièce de l'appareil dans le lave-vaisselle.
- ▶ Attendez au moins 7 minutes avant de redémarrer l'appareil car plusieurs redémarrages endommageraient le compresseur.



Nettoyez le joint de porte :

- ▶ Nettoyez les joints de porte tous les 3 mois pour garantir une bonne étanchéité comme indiqué ci-dessous : Retirez : Saisissez le joint de porte et tirez-le selon la direction de la flèche pour l'enlever complètement et de façon adéquate.
- Trempez la brosse dans de l'eau ou de l'alcool de qualité alimentaire, nettoyez d'abord la rainure du joint de porte en faisant les mouvements de va-et-vient. Essuyez ensuite la surface du joint de porte avec une serviette imbibée d'eau ou d'alcool de qualité alimentaire. Enfin, lavez le joint de porte et essuyez-le avec une serviette propre.



Monter le joint de porte après le nettoyage :

Avant d'effectuer l'installation, assurez-vous que le joint de porte n'est pas mouillé. Insérez le joint de porte dans la rainure et appuyez-le fermement du haut vers le bas à l'aide de vos mains jusqu'à ce qu'il soit entièrement inséré dans la rainure.

Nettoyage des clayettes :

- ▶ Les clayettes peuvent être retirées pour être nettoyées.
- ▶ Retirez toutes les bouteilles.
- ▶ Soulevez chaque clayette avant de la retirer.
- ▶ Nettoyez-la à l'aide d'une serviette douce.
- ▶ Attendez qu'elles sèchent avant de les remettre dans l'appareil.

AVERTISSEMENT :

Attendez au moins 7 minutes pour rebrancher l'alimentation après tout débranchement.

Vérifiez les accessoires et la documentation conformément à cette liste : sans isolation.

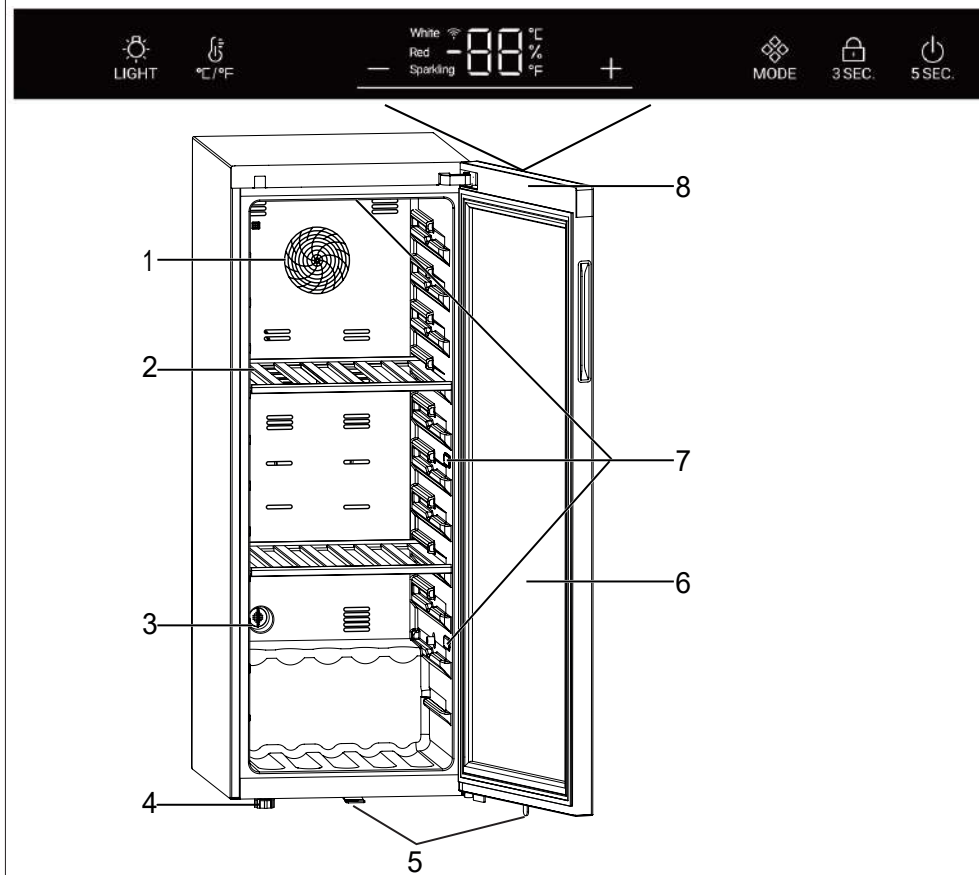
Nom	Manuel d'Utilisation	Carte de Service	Clayette	Petite étagère	Couvercle de	Étiquetage Énergé-	Touche	Caméra gauche de la porte
HWS84GA	1	1	6	1	1	1	2	2
HWS84GNF	1	1	6	1	1	1	2	2
HWS49GA	1	1	4	1	1	1	2	2
HWS49GAE	1	1	4	/	/	1	/	/
HWS66GGE	1	1	5	/	/	1	2	/



Notification

En raison des modifications techniques et des divers modèles, certaines illustrations de ce manuel peuvent être différentes de votre modèle.

Photo de l'appareil



1. Ventilateur(sauf HWS49GAE)HWS66GGE)

2. Clayette

3. Filtre à charbon actif

4. Pieds ajustables

5. Serrure (sauf HWS49GAE)

6. Porte

7. Lampe d'éclairage à LED

8. Affichage (à l'avant de la porte)

1. Déballage

- ▶ Sortez l'appareil de l'emballage.
- ▶ Retirez tout le matériel d'emballage, y compris la base en mousse et le ruban adhésif maintenant les accessoires.

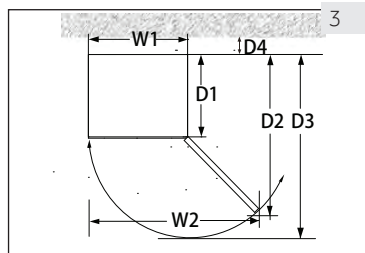
2. Conditions environnementales

La température de la pièce doit toujours être comprise entre 10 °C et 38 °C, car elle peut influencer la température interne de l'appareil ainsi que la consommation d'énergie. N'installez pas l'appareil près d'autres appareils qui produisent de la chaleur (cuisinières, réfrigérateurs) sans isolation.

3. Exigences en matière d'espace

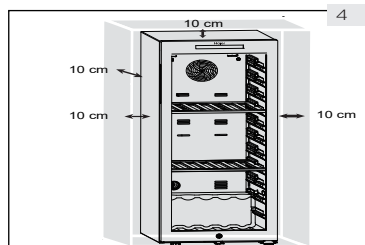
Espace requis pour l'ouverture de la porte (Fig.3) :

Largeur en mm		Profondeur en mm			Distance par rapport au mur en mm
W1	W2	D1	D2	D3	D4
495	630	535	1033	1047	100



4. Ventilation de l'espace

Pour des raisons de sécurité et énergétiques, veuillez respecter la distance de ventilation requise qui est de 10 cm dans tous les sens (Fig. 4).



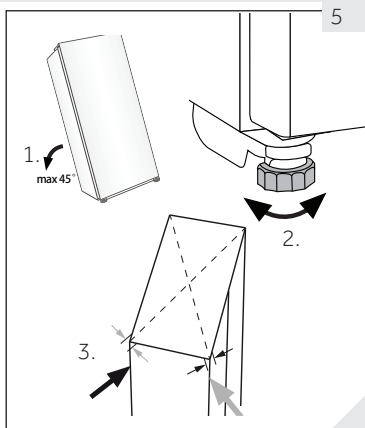
AVERTISSEMENT !

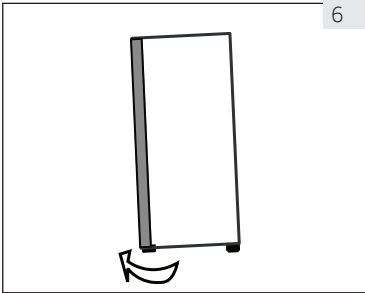
- ▶ Tenez les ouvertures d'aération de l'appareil ou dans les structures encastrées libres de toute obstruction. Cet appareil de réfrigération n'est pas destiné à être utilisé comme un appareil intégrable.

5. Alignement de l'appareil

L'appareil doit être placé sur une surface solide et plane.

1. Penchez légèrement l'appareil vers l'arrière (Fig. 5).
2. Ajustez les pieds réglables avant au niveau souhaité en les tournant.
3. Vérifiez la stabilité en basculant entre les diagonales. Faites basculer légèrement dans les deux sens. Sinon le cadre peut se déformer causant ainsi une fuite au niveau des joints de porte. Une légère inclinaison vers l'arrière facilite la fermeture de la porte.





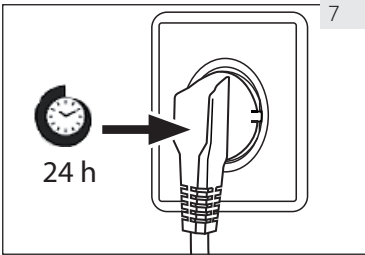
6

6. Ajustement des portes

L'appareil se ferme plus facilement lorsque les pieds de mise à niveau situés à l'avant sont réglés :

Tournez les pieds réglables (Fig. 6) pour les faire tourner vers le haut ou vers le bas :

- ▶ L'appareil se soulève lorsque vous tournez les pieds dans le sens horaire.
- ▶ L'appareil s'abaisse lorsque vous tournez les pieds dans le sens antihoraire.



7

7. Temps d'attente

L'huile d'entretien du compresseur se trouve dans la capsule du compresseur. Cette huile peut se déverser dans le circuit fermé du système pendant le transport en cas d'inclinaison de l'appareil. Avant de brancher l'appareil à l'alimentation électrique, patientez pendant 24 heures (Fig. 7) pour permettre à l'huile de retourner dans la capsule.

8. Branchement électrique

Avant chaque branchement, vérifiez si :

- ▶ L'alimentation électrique, la prise et le fusible sont adaptés à la plaque signalétique.
- ▶ la prise de courant est mise à la terre et il n'y a pas de multiprise ou de rallonge.
- ▶ la prise d'alimentation et la fiche correspondent parfaitement.

Connectez la fiche à une prise correctement installée.



AVERTISSEMENT !

Pour éviter tout risque, tout cordon d'alimentation endommagé doit être remplacé par le service client (voir carte de garantie)

9. Réversibilité de la porte(sauf HWS49GAE,HWS66GGE)

Avant de raccorder l'appareil à l'alimentation électrique, vérifiez que la porte bascule de la droite (tel que livré) vers la gauche, selon les commodités de l'emplacement d'installation et l'utilisation

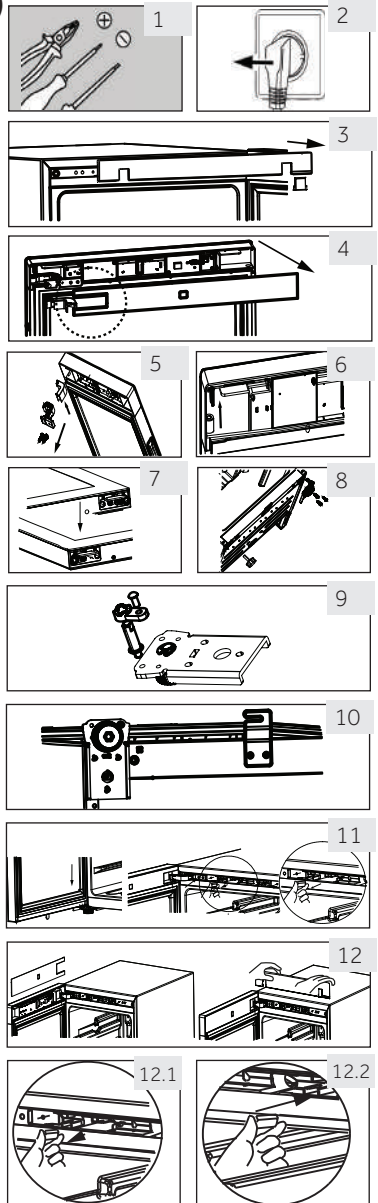


AVERTISSEMENT !

- ▶ L'appareil est lourd. Deux personnes doivent manœuvrer la réversibilité de la porte.
- ▶ Avant toute opération, débranchez d'abord l'appareil de l'alimentation.
- ▶ Ne penchez pas le réfrigérateur à plus de 45 ° pour éviter d'endommager le système de réfrigération.

Étapes de montage (sauf HWS49GAE, HWS66GGE)

1. Prévoyez les outils nécessaires.
2. Débranchez l'appareil.
3. Ouvrez la porte, démontez la bande avant et trouvez la bande correspondante pour enlever le côté gauche et le placer sur le côté droit de l'espace.
4. Débranchez le câble de raccordement. Tirez la partie supérieure du joint de la porte et démontez la bande arrière de la porte (Retirer de l'ouverture latérale gauche).
5. Retirez 2 vis de la charnière inférieure.
6. Retirez le couvercle et la charnière, retirez le couvercle de l'axe et montez-le de l'autre côté, ensuite montez la charnière dans l'axe.
7. Retirez la came et le support de porte, déplacez le support de porte vers l'autre côté de la porte. Installez la nouvelle came disponible dans la pochette.
8. Avec l'armoire inclinée (moins de 45 °), retirez la charnière inférieure (3 vis) pour le support.
9. Retirez la came à charnière inférieure et l'arbre de basculement. Installez l'arbre sur le côté droit de la charnière inférieure. Retirez la came de la pochette d'instructions et l'installez-la sur l'axe de charnière inférieur.
10. Installez la charnière inférieure et le pied inférieur de l'autre côté de l'armoire. Lubrifiez la came.
11. Installez la porte sur la tige de charnière inférieure, et fixez la charnière supérieure avec deux vis sur l'armoire. Fixez les fils de signalisation au milieu de la rainure supérieure de la charnière et prenez le couvercle de la charnière dans la pochette d'instructions et fixez-le sur la charnière supérieure.
12. Installez le joint d'étanchéité de la porte et la bande de porte sur la porte. Insérez la paire de fils du signal de porte, déplacez l'interrupteur magnétique (12.1) vers la fente de montage (12.2) droite du caisson supérieur et fixez la garniture avant de l'armoire.
13. Assurez-vous que la porte peut s'ouvrir et se fermer normalement.



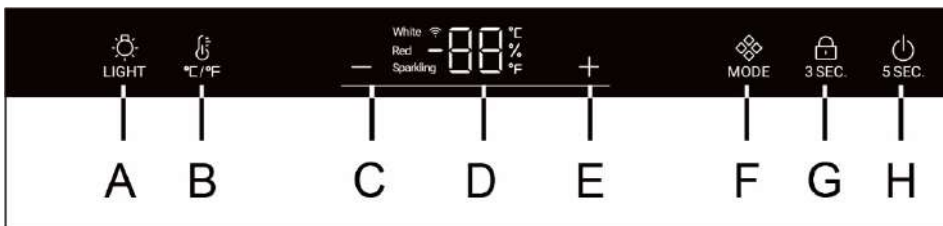
1. Avant la première utilisation

- ▶ Retirez tous les emballages. Il s'agit entre autres de la base en mousse et du ruban adhésif qui maintiennent les accessoires de la cave à vin à l'intérieur et à l'extérieur. Tenez-les hors de portée des enfants et mettez-les au rebut dans le respect de l'environnement.
- ▶ Nettoyez l'intérieur et l'extérieur de l'appareil avec de l'eau et un détergent doux avant d'y mettre du vin.
- ▶ Une fois l'appareil bien positionné et nettoyé, attendez au minimum 2 heures avant de le brancher à une source d'alimentation. Si votre cave à vin est inclinée pour une raison quelconque, patientez pendant 24 heures avant de le brancher. Consultez la section INSTALLATION.
- ▶ Une fois l'appareil branché sur une prise électrique, laissez-le fonctionner pendant au moins 30 minutes pour qu'il s'adapte avant d'effectuer tout réglage.
- ▶ La température est automatiquement réglée à 12 °C. Si vous le souhaitez, vous pouvez modifier la température manuellement. Veuillez consulter la section TEMPERATURE.

2. Touches tactiles

Les boutons du panneau de commande sont des touches tactiles qui répondent une fois que vous les effleurez du doigt.



3. Description du panneau de commande



A Bouton d'éclairage intérieur
 B Bouton de Conversion °C /°F
 C Bouton de réglage de température : bas
 D Affichage

E Bouton de réglage de température : haut
 F Bouton de mode
 G Bouton de verrouillage
 H Bouton d'alimentation

4. Fonction de verrouillage automatique

Le panneau de commande se verrouille automatiquement à partir de n'importe quelle touche après 30 secondes après avoir été  activé, il est léger. Pour activer le verrouillage du clavier, appuyez sur le bouton  3 SEC. appuyez sur le bouton pendant 3 secondes ; une fois verrouillé, les voyants DEL rétro-éclairés s'éteignent. Le bouton A n'est pas verrouillé.

5. Fonction du bouton marche/arrêt

Appuyez sur le bouton H pendant 5 secondes pour éteindre la cave à vin. Appuyez ensuite sur le bouton H pendant 5 secondes pour allumer la cave à vin.

6. Réglage de la température



Notification

Préréglages

- ▶ Une fois que vous avez branché l'appareil dans une prise électrique, laissez l'appareil s'acclimater pendant au moins 30 minutes avant d'effectuer tout réglage.
- ▶ Lorsque l'appareil est mis en marche après avoir été débranché de l'alimentation électrique principale, il peut s'écouler plusieurs heures avant que les températures correctes ne soient atteintes. Le temps exact varie en fonction de l'environnement et du réglage de la température.



Appuyez sur la touche **+** ou **-**, l'affichage commence à flash. Appuyez sur la touche **||** ou **||**

pour régler la température souhaitée. La plage de réglage de la température : 5-20°C (41-68°F). Arrêter d'appuyer sur la touche pendant 3 secondes, la température est confirmée.

7. Mode de Fonctionnement

Appuyez sur le bouton **MODE**, la température passe de scintillante (8°C ou 47°F) à blanche (12°C ou 54°F) et rouge (16°C ou 61°F).

Réglages de température recommandés

Les températures de dégustation suivantes sont recommandées pour les différents types de vin.

Vin rouge	+13°C à +20°C (+55°F à + 68°C)	Vin mousseux Prosecco	+5°C à +8°C (+41°F à 47°F)
Vin blanc	+9°C à +12°C (+48°F à +54°F)		

Si vous conservez le vin pendant de longues périodes, il doit être conservé à une température comprise entre +10 °C et +12 °C (50 °F et +54 °F).

8. Mode veille

L'écran d'affichage se met automatiquement en veille après 30 secondes.

Il s'allume automatiquement lorsque vous appuyez sur une touche ou ouvrez la porte.



Notification Influence sur les températures



Les températures internes de l'appareil sont influencées par les facteurs suivants :

- ▶ Température ambiante
- ▶ La fréquence d'ouverture de la porte
- ▶ La quantité de bouteilles stockées
- ▶ L'emplacement de l'appareil

Le réglage par défaut est 12 °C

Lorsque l'affichage cesse de clignoter, il revient à l'affichage de la température actuelle à l'intérieur de la cave à vin. Il faudra un certain temps pour atteindre la température de consigne.

9. Réglage du mode d'éclairage

Appuyez sur le bouton  LIGHT. Lorsque les lumières de l'armoire sont allumées, elles s'illuminent progressivement. Lorsque vous appuyez une fois de plus sur la touche  LIGHT, les lumières s'éteignent progressivement.

10. Fonction °C/°F

Appuyez sur le bouton , basculer entre Fahrenheit et Celsius.

11. Fonction de Mémoire Marche-Arrêt (Power-Off)

En cas de panne de courant, le cellier enregistre automatiquement la température réglée. Après le retour du courant, l'appareil fonctionne en fonction de la température réglée avant la panne de courant.

12. Fonction de compensation basse température (sauf HWS49GAE, HWS66GGE)

La cave à vin est dotée d'une fonction de compensation de température faible qui assure la stabilité de la température : Lorsque la température ambiante est inférieure à la température de consigne, la cave à vin démarre automatiquement la fonction de compensation de basse température, chauffant l'application. Lorsque la température de l'application atteint la température de consigne, la fonction de compensation de basse température est automatiquement activée.

13. Alarme d'ouverture de la porte

Si la porte reste ouverte pendant plus de 1 min, une alarme se déclenche et ne s'arrête que lorsque vous refermez la porte ou appuyez sur une touche du panneau d'affichage.



Conseils pour économiser de l'énergie

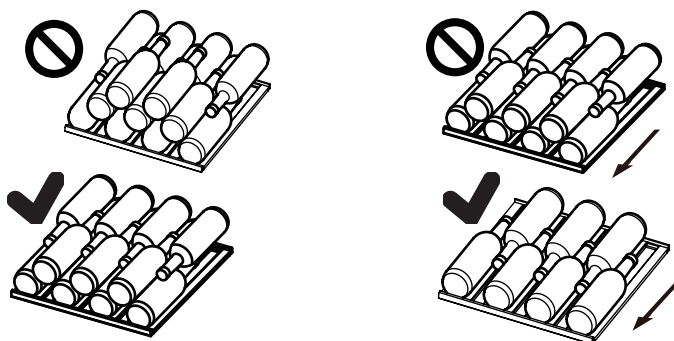
- ▶ Assurez-vous que l'appareil est bien ventilé (voir INSTALLATION).
- ▶ N'installez pas l'appareil en plein soleil ou à proximité de sources de chaleur (par ex. cuisinières, chauffages).
- ▶ Évitez une température inutilement basse dans l'appareil. La consommation d'énergie augmente plus vous réglez bas la température de l'appareil.
- ▶ Ouvrez la porte de l'appareil le moins souvent et le plus rapidement possible.
- ▶ Ne dépassez pas la quantité prévue de bouteilles pour éviter de bloquer la circulation de l'air.
- ▶ Gardez les joints de la porte propres afin que la porte se ferme toujours correctement.
- ▶ La configuration la moins énergivore nécessite que les tiroirs, les boîtes de rangement et les clayettes soient positionnés dans le produit comme à l'état frais d'usine, et que les aliments soient placés sans bloquer la sortie d'air du conduit

1. Clayette


1. Les clayettes sont conçues pour le stockage et le retrait faciles du vin. Elles peuvent être nettoyées à l'aide d'une serviette douce.
2. Les bouteilles ordinaires d'un diamètre de 76 mm peuvent être empilées.
3. Les bouteilles Magnum peuvent être empilées sur la clayette inférieure.
4. La quantité peut différer du nombre de bouteilles représentées si elles sont empilées différemment.

Conseils pour l'aménagement de votre cave à vin

Nous recommandons que le nombre de bouteilles de vin ne dépasse pas deux couches sur chaque étagère et que la capacité de charge des étagères à vin ne dépasse pas 20 kg. Avant de placer les bouteilles dans la cave à vin, vérifiez si les étagères à vin sont complètement stables ou non. De plus, vérifiez si une bouteille dépasse ou non des étagères afin d'éviter que les bouteilles ne frappent la porte vitrée lors de la fermeture.



2. La Lumière

L'éclairage intérieur LED s'allume lorsque la porte est ouverte. Pour allumer la lumière lorsque la porte est fermée, appuyez sur le bouton. Pour éteindre les lumières, appuyez à nouveau sur le bouton. Pour augmenter l'efficacité énergétique, les lumières doivent  être allumées sur off lorsque la cave à vin n'est pas visitée.

3. Verrouillage

Pour verrouiller la cave à vin, fermez la porte et mettez la clé dans le verrou :

- ▶ Verrouillez la porte en tournant la clé dans le sens antihoraire ;
- ▶ Déverrouillez-la en tournant la clé dans le sens horaire.

1. Dégivrage

La cave à vin se dégivre automatiquement ; aucune opération manuelle n'est nécessaire.

2. Remplacement des lampes LED

Les lampes utilisent la LED comme source d'éclairage ; elles consomment moins d'énergie et ont une longue durée de vie. En cas d'anomalie, veuillez contacter le service clientèle. Voir le SERVICE À LA CLIENTÈLE.



AVERTISSEMENT !

Ne remplacez pas la lampe LED vous-même. Elle doit être remplacée uniquement par le fabricant ou l'agent de maintenance agréé.

Caractéristiques des lampes LED :

Voltage 12V; puissance maximale: 8W (pour HWS84GA, HWS49GNF, HWS66GGE))

Voltage 12V; puissance maximale: 5W (pour HWS49GAE et HWS49GA)

3. Non-utilisation pendant une longue période

Débranchez la prise d'alimentation.

Nettoyez l'appareil et les joints de porte tel qu'indiqué ci-dessus.

Laissez la porte ouverte pour éviter les mauvaises odeurs à l'intérieur.

4. Déplacez l'appareil

1. Retirez toutes les bouteilles et débranchez l'appareil.
2. Fixez les clayettes et autres pièces amovibles à l'intérieur de la cave à vin à l'aide d'un ruban adhésif.
3. N'inclinez pas la cave à vin à plus de 45° pour éviter d'endommager le système de réfrigération.

5. Échange d'air avec filtre à charbon actif

La maturation des vins dépend des conditions ambiantes. La qualité de l'air est donc déterminante pour la conservation du vin. Un filtre à charbon actif a été installé dans la partie inférieure de la paroi arrière de l'appareil pour y faire passer un produit de qualité optimale.



Notification

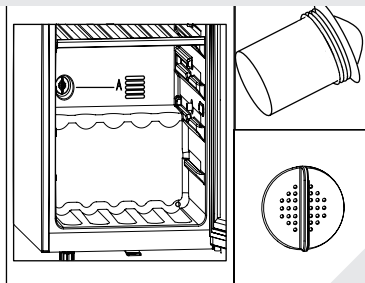
Nous vous recommandons de remplacer le filtre une fois par an. Les filtres peuvent être obtenus auprès de votre revendeur.

Remplacement du filtre :

Prenez le filtre par la poignée. Tournez-le vers la gauche et retirez-le.

Mise en place du filtre:

Insérez la poignée en position verticale. Tournez-le vers la droite et insérez-le.



Vous pouvez résoudre la plupart des problèmes qui pourraient survenir sans expertise précise. En cas de problème, veuillez vérifier toutes les solutions possibles en suivant les instructions ci-dessous avant de contacter un service après-vente. Voir la section SERVICE CLIENT.

AVERTISSEMENT !

- ▶ Avant de procéder à l'entretien, mettez l'appareil hors tension et débranchez la fiche secteur de la prise de courant.
- ▶ L'équipement électrique ne doit être entretenu que par des électriciens qualifiés, car des réparations incorrectes peuvent causer des dommages consécutifs considérables.
- ▶ Faites remplacer le cordon d'alimentation endommagé par le fabricant, son représentant ou par des personnes qualifiées afin d'éviter tout risque.

Codes d'Erreur	Cause	Solution
rH	La température est trop élevée.	Veillez contacter notre service après-vente.
rL	La température est trop basse.	Veillez vérifier la température ambiante doit être entre 10 °C et 38 °C.

Problème	Causes probables	Solutions possibles
Le compresseur ne fonctionne pas.	<ul style="list-style-type: none"> La fiche principale n'est pas branchée à la prise. 	<ul style="list-style-type: none"> Branchez la fiche.
L'appareil tourne continuellement ou tourne pendant trop longtemps.	<ul style="list-style-type: none"> La température extérieure est trop élevée. L'appareil a été en arrêt pendant trop longtemps. Une porte de l'appareil n'est pas bien fermée. La porte a été ouverte trop souvent ou pendant trop longtemps. Les joints de porte sont sales, usés, fissurés ou incompatibles. Le flux d'air nécessaire n'est pas garanti. La température est trop basse. 	<ul style="list-style-type: none"> Dans ce cas, il est normal que l'appareil tourne plus longtemps. Normalement, l'appareil met un certain temps pour refroidir complètement. Fermez la porte et assurez-vous que l'appareil est placé sur une surface plane et qu'aucun aliment ou récipient ne la cogne. N'ouvrez pas les portes trop fréquemment. Nettoyez le joint de la porte ou faites-le remplacer par le service client. Assurez une ventilation adéquate. Le problème sera résolu automatiquement une fois la température souhaitée atteinte.
L'intérieur de la cave est sale et/ou sent mauvais...	<ul style="list-style-type: none"> L'intérieur de la cave à vin a besoin d'être nettoyé. 	<ul style="list-style-type: none"> Nettoyez l'intérieur de la cave à vin.
L'appareil n'est pas suffisamment froid.	<ul style="list-style-type: none"> La température est trop élevée. Des bouteilles ont été ajoutées tout récemment. Une porte de l'appareil n'est pas bien fermée. La porte a été ouverte trop souvent ou pendant trop longtemps. Les joints de porte sont sales, usés, fissurés ou incompatibles. 	<ul style="list-style-type: none"> Réglez à nouveau la température Laissez le temps aux bouteilles récemment ajoutées d'atteindre la température souhaitée. Fermez la porte. N'ouvrez pas les portes trop fréquemment. Nettoyez le joint de la porte ou faites-le remplacer par le service client.
L'intérieur de l'appareil est trop froid.	<ul style="list-style-type: none"> La température est trop basse. 	<ul style="list-style-type: none"> Réglez à nouveau la température
Formation de moisissure à l'intérieur du réfrigérateur.	<ul style="list-style-type: none"> Le climat est trop chaud et trop humide. Une porte de l'appareil n'est pas bien fermée. La porte a été ouverte trop souvent ou pendant trop longtemps. 	<ul style="list-style-type: none"> Augmentez la température Fermez la porte. N'ouvrez pas la porte / le tiroir trop fréquemment.

Problème	Causes probables	Solutions possibles
L'humidité s'accumule sur la surface extérieure de la cave à vin.	<ul style="list-style-type: none"> Le climat est trop chaud et trop humide. La porte n'est pas fermée hermétiquement. L'air froid dans l'appareil et l'air chaud à l'extérieur se condensent. 	<ul style="list-style-type: none"> Ceci est normal en zone humide et cela change lorsque l'humidité diminue. Assurez-vous que la porte est fermée hermétiquement et que les joints sont parfaitement étanches.
L'appareil émet des sons anormaux	<ul style="list-style-type: none"> L'appareil n'est pas placé sur une surface plane. L'appareil est en contact avec certains objets. 	<ul style="list-style-type: none"> Réglez les supports afin d'équilibrer l'appareil. Retirez les objets autour de l'appareil.
Vous entendrez un son léger identique à celui de l'eau courante.	<ul style="list-style-type: none"> Cela est normal 	<ul style="list-style-type: none"> -
L'éclairage intérieur ou le système de refroidissement ne fonctionne pas.	<ul style="list-style-type: none"> La fiche secteur n'est pas branchée sur la prise secteur. L'alimentation électrique est anormale. La lampe LED ne fonctionne pas. 	<ul style="list-style-type: none"> Branchez la fiche. Vérifiez l'alimentation électrique de la pièce. Appelez la compagnie d'électricité locale. Veuillez appeler le service pour changer
Les parois du réfrigérateur et le joint de porte deviennent chauds.	<ul style="list-style-type: none"> C'est normal. 	<ul style="list-style-type: none"> -
La porte n'a pas été correctement fermée.	<ul style="list-style-type: none"> L'appareil n'est pas équilibré. La porte est bloquée. 	<ul style="list-style-type: none"> Équilibrez-le à l'aide des pieds de mise à niveau. Vérifiez si les bouteilles ou les clayettes peuvent en être la cause.

Pour contacter l'assistance technique, visitez notre site Internet:

<https://corporate.haier-europe.com/en/> . Dans la section «websites», choisissez la marque de votre produit et votre pays. Vous serez redirigé vers le site Web spécifique où vous pouvez trouver le numéro de téléphone et le formulaire pour contacter l'assistance technique

Fiche produit conforme à la réglementation UE N° 2019/2016

Marque	Haier	Haier	Haier
Nom du modèle/identifiant	HWS49GA /HWS49GAE	HWS84GNF	HWS84GA /HWS66GGE
Catégorie	Cave à vin	Cave à vin	Cave à vin
Catégorie de réfrigération domestique	I	I	I
Classe d'efficacité énergétique	F	F	G
Consommation énergétique annuelle (kWh/an) ¹⁾	104	110	149/153
Volume de stockage (L)	116/118	198	198
Classe climatique : Cet appareil doit être utilisé à une température ambiante variant entre 10 °C et 38 °C.	SN N ST	SN N ST	SN N ST
Émissions de bruits aériens acoustiques (db(A) re 1pW)	C(37)	C(37)	C(37)
Type d'appareil	Position libre	Position libre	Position libre
Cet appareil est destiné à être utilisé exclusivement pour le stockage de vin.	Oui	Oui	Oui
Dimensions (P/L/H en mm)	585/497/820	585/497/1270	585/497/1270

Explications :

1) D'après les résultats des tests standard pendant 24 heures. La consommation réelle dépend de l'environnement réel, de la quantité de bouteilles, de la température réglée, de l'ouverture et de la fermeture de la porte, etc.

2) La consommation d'énergie nominale est la valeur obtenue en fonction de l'essai standard lorsque l'armoire à vin n'allume pas la lumière à l'intérieur.

—tempérée élargie: «Cet appareil de réfrigération est destiné à être utilisé à des températures ambiantes comprises entre 10 °C et 32 °C»,

—tempérée: «Cet appareil de réfrigération est destiné à être utilisé à des températures ambiantes comprises entre 16 °C et 32 °C»,

—subtropicale: «Cet appareil de réfrigération est destiné à être utilisé à des températures ambiantes comprises entre 16 °C et 38 °C»,

—tropicale: «Cet appareil de réfrigération est destiné à être utilisé à des températures ambiantes comprises entre 16 °C et 43 °C»;

Normes et directives

Ce produit répond aux exigences de toutes les directives CE applicables ainsi que les normes harmonisées correspondantes, qui prévoient le marquage CE.

Nous vous recommandons notre service clients Haier et l'utilisation de pièces de rechange d'origine.

Si vous avez un problème avec l'appareil, veuillez-vous référer à la section DÉPANNAGE.

Si vous ne trouvez pas de solution, veuillez contacter

- votre vendeur local ou
- rendez-vous sur le site www.haier.com, dans la zone Service et support, vous trouverez des numéros de téléphone et une FAQ. Vous pourrez également contacter le service de réclamation.

Pour contacter notre service, assurez-vous que vous disposez des informations suivantes.

Ces informations sont disponibles sur la plaque signalétique.

Modèle _____ N° de Série _____

Vérifiez également la Carte de garantie fournie avec le produit en cas de garantie.

Pour des renseignements généraux concernant les entreprises, vous trouverez ci-jointes nos adresses en Europe :

Adresses de Haier en Europe

Pays*	Adresse postale	Pays	Adresse postale
Italie	Haier Europe Trading SRL Via De Cristoforis, 12 21100 Verese ITALIE	France	Haier France SAS 3-5 rue des Gravieres 92200 Neuilly sur Seine FRANCE
Espagne Portugal	Haier Iberia SL Pg. Garcia Faria, 49-51 08019 Barcelona ESPAGNE ITALIE	Belgique-FR Belgique-NL Pays-Bas Luxembourg	Haier Benelux SA Anderlecht Route de Lennik 451 BELGIQUE
Allemagne, Autriche	Haier Deutschland GmbH Hewlett-Packard-Str. 4 D-61352 Bad Homburg ALLEMAGNE	Pologne République Tchèque Hongrie Grèce Roumanie Russie	Haier Pologne Sp. zo.o. Al. Jerozolimskie 181B 02-222 Warszawa POLOGNE
Royaume Uni	Haier Appliances UK Co. Ltd. One Crown Square Church Street East Woking, Surrey, GU21 6HR Royaume-Uni		

DISPONIBILITÉ DES PIÈCES DE RECHANGE

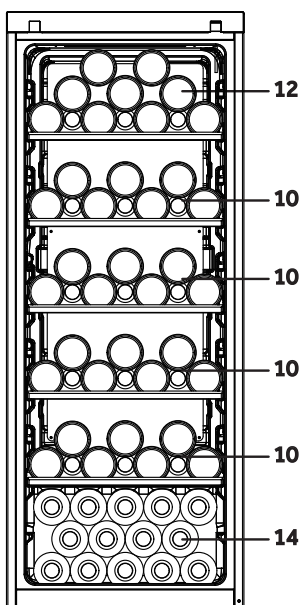
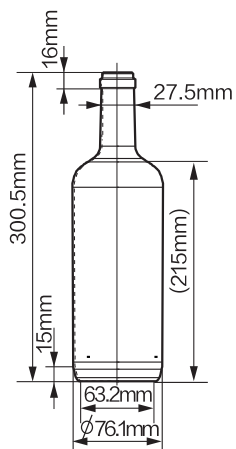
Les thermostats, les capteurs de température, les cartes de circuit imprimé et les sources lumineuses sont disponibles pour une période minimale de sept ans à compter de la mise sur le marché de la dernière unité du modèle;

Les poignées de porte, gonds de porte, plateaux et bacs, sont disponibles pour une période minimale de sept ans, et les joints de porte sont disponibles pour une période minimale de 10 ans à compter de la mise sur le marché de la dernière unité du

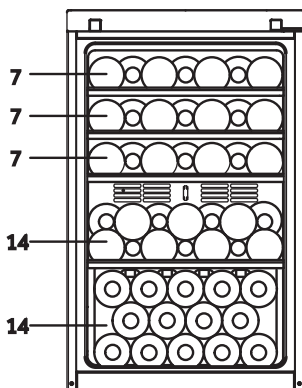
modèle;ARANTIE

La garantie minimale est : 2 ans pour les pays de l'UE, 3 ans pour la Turquie, 1 an pour le Royaume-Uni, 1 an pour la Russie, 3 ans pour la Suède, 2 ans pour la Serbie, 5 ans pour la Norvège, 1 an pour le Maroc, 6 mois pour l'Algérie, pas de garantie légale requise pour la Tunisie.

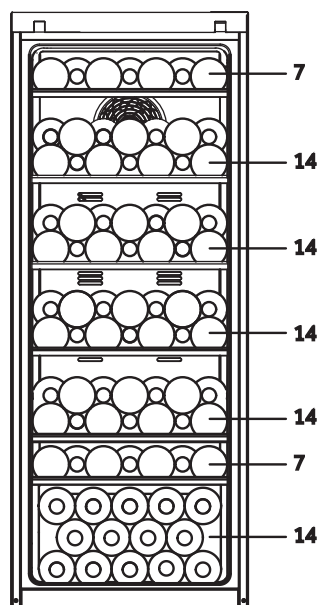
Pour plus d'informations sur le produit, veuillez consulter <https://eprel.ec.europa.eu/> ou scannez le QR sur l'étiquette énergétique fournie avec l'appareil



(66)
HWS66GGE



(49)
HWS49GA
HWS49GAE



(84)
HWS84GA
HWS84GNF



HWS-84GA-49GA-49GAE-84GNF-66GGE-FR

Haier



Manuale utente

Cantinetta per vini

HWS84GA

HWS84GNF

HWS49GA

HWS49GAE

HWS66GGE

IT

Haier

Vi ringraziamo per aver deciso di acquistare un prodotto Haier.

Vi invitiamo a leggere attentamente queste istruzioni prima di iniziare a usare il dispositivo. Le istruzioni contengono informazioni importanti che vi aiuteranno a trarre il meglio da questo dispositivo e vi garantiranno altresì sicurezza in fase di installazione, uso e manutenzione del dispositivo.

Conservare questo manuale in un luogo pratico, di modo da poterlo sempre consultare e garantire un utilizzo sicuro e adeguato del dispositivo.

Qualora il dispositivo venga venduto, ceduto o lasciato nella vecchia abitazione in fase di trasferimento, accertarsi sempre di lasciare anche il manuale, di modo che il nuovo proprietario possa acquisire familiarità col dispositivo e con le relative avvertenze di sicurezza.



Legenda

Avvertenza - Informazioni importanti per la sicurezza



Informazioni e suggerimenti generali



Informazioni ambientali



Smaltimento

Contribuire alla protezione dell'ambiente e alla salute umana. Collocare l'imballaggio in contenitori adeguati per poterlo riciclare. Contribuire al riciclaggio dei rifiuti provenienti da dispositivi elettrici ed elettronici. Non smaltire i dispositivi recanti questo simbolo con i normali rifiuti domestici. Riportare il prodotto presso la struttura di riciclaggio locale o contattare il proprio ufficio municipale competente in merito.



ATTENZIONE!

Rischio di lesione o soffocamento!

I refrigeranti e i gas vanno smaltiti in modo professionale. Verificare che i tubi del circuito refrigerante non si siano danneggiati prima di smaltirli in modo adeguato. Scollegare il dispositivo dalla presa di corrente. Tagliare il cavo di rete e smaltirlo. Togliere i vassoi e i cassette, oltre che il lucchetto e le guarnizioni della porta al fine di evitare che i bambini e gli animali domestici rimangano intrappolati all'interno del dispositivo.

I vecchi elettrodomestici hanno ancora un valore residuo. Un metodo di smaltimento rispettoso dell'ambiente assicurerà che le preziose materie prime possano essere recuperate e riutilizzate.

Il ciclopentano, una sostanza infiammabile non dannosa per l'ozono, viene utilizzato come espansore per la schiuma isolante.

Assicurando che questo prodotto venga smaltito correttamente si contribuisce a prevenire potenziali conseguenze negative per l'ambiente e la salute umana.

Per informazioni più dettagliate sul riciclaggio di questo prodotto, rivolgersi all'ufficio di zona competente, al servizio di smaltimento dei rifiuti domestici o al negozio presso il quale è stato acquistato il prodotto, gestito da professionisti.

Informazioni di sicurezza.....	4
Consigli di sicurezza.....	7
Manutenzione.....	11
Accessori.....	13
Descrizione del prodotto.....	14
Installazione.....	15
Uso.....	18
Suggerimenti per risparmiare energia.....	21
Strumentazione.....	22
Cura e pulizia.....	23
Guida alla risoluzione dei problemi.....	24
Guida alla risoluzione dei problemi.....	26
Servizio di assistenza.....	28
Impilaggio bottiglie vino.....	29

Questo apparecchio è destinato esclusivamente alla conservazione del vino. Prima di accendere l'apparecchio per la prima volta, leggere le seguenti avvertenze di sicurezza:



ATTENZIONE!

Prima di iniziare a usare il dispositivo

- ▶ Verificare che non vi siano danni verificatisi in fase di trasporto.
- ▶ Togliere tutti i materiali dell'imballaggio, tenerli fuori dalla portata dei bambini e smaltirli in modo rispettoso dell'ambiente.
- ▶ Attendere almeno due ore prima di procedere all'installazione del dispositivo al fine di garantire che il circuito del refrigerante sia completamente operativo.
- ▶ Spostare sempre il dispositivo in due persone, dato che è molto pesante.

Installazione

- ▶ L'apparecchio deve essere collocato in un luogo ben ventilato. Garantire uno spazio di almeno 10 cm sopra e intorno all'apparecchio.
- ▶ **AVVERTENZA:** Non coprire od ostruire le aperture di ventilazione del frigorifero.
- ▶ Non collocare mai l'apparecchio in una zona umida o in un luogo in cui potrebbe venir spruzzato dall'acqua. Pulire e asciugare gli spruzzi d'acqua e le macchie con un panno morbido e pulito.
- ▶ Non installare la cantinetta per vini in posizioni non debitamente isolate o riscaldate, ad esempio garage, ecc. La cantinetta per vini non è stata progettata per funzionare a una temperatura ambiente inferiore ai 10 °C.
- ▶ Non installare il dispositivo esponendolo direttamente alla luce del sole o vicino a sorgenti di alimentazione (ad es. stufe, riscaldatori).
- ▶ Installare e livellare il dispositivo in un'area adatta per le sue dimensioni e per il suo uso.
- ▶ Verificare che le informazioni elettriche riportate sulla targhetta di identificazione corrispondano a quelle dell'alimentazione, in caso contrario, contattare un elettricista.
- ▶ L'apparecchio funziona con un'alimentazione di 220-240 VAC/50 Hz. Una tensione anomala può causare il mancato avviamento dell'apparecchio o danni al sistema di controllo della temperatura o al compressore, oppure può presentarsi un rumore anomalo durante il funzionamento, nel qual caso occorre montare un regolatore automatico.
- ▶ Non usare ciabatte e prolunghe.

**ATTENZIONE!**

- ▶ **AVVERTENZA:** Non posizionare prese multiple portatili o alimentatori portatili sul retro dell'apparecchio.
- ▶ **AVVERTENZA:** Quando si posiziona l'apparecchio, assicurarsi che il cavo di alimentazione non sia intrappolato o danneggiato.
- ▶ Non inciampare sul cavo di alimentazione.
- ▶ Servirsi di una presa con messa a terra separata per l'alimentazione che sia facilmente accessibile. L'apparecchiatura deve disporre di una messa a terra.
- ▶ **Unicamente per il Regno Unito:** Il cavo di alimentazione del dispositivo è dotato di una presa a 3 poli (con messa a terra), adatta per una normale presa a 3 poli (con messa a terra). Non tagliare o smontare mai il terzo polo (messa a terra). Dopo aver installato il dispositivo, la presa dovrebbe essere accessibile.
- ▶ **AVVERTENZA:** Non danneggiare il circuito refrigerante.

Uso quotidiano

- ▶ Questa apparecchiatura può essere usata da bambini a partire dagli 8 anni di età ed oltre e da persone con ridotte capacità fisiche, sensoriali o mentali o con scarsa esperienza o conoscenza sull'uso dell'apparecchiatura, solamente se sorvegliati o se sono stati istruiti relativamente all'uso sicuro dell'apparecchiatura stessa e se ne hanno compreso i rischi.
- ▶ I bambini non devono giocare con l'apparecchiatura.
- ▶ I bambini di età compresa tra i 3 e gli 8 anni possono caricarlo e scaricarlo, ma non possono pulire o installare gli apparecchi di refrigerazione.
- ▶ Tenere i bambini di età inferiore ai 3 anni lontano dal dispositivo a meno che non siano sotto costante supervisione.
- ▶ La pulizia e gli interventi di manutenzione non devono essere eseguiti dai bambini senza supervisione.
- ▶ Il dispositivo va collocato in modo tale che la presa resti accessibile.
- ▶ Se gas freddo o altri gas infiammabili perdono nelle immediate vicinanze del dispositivo, disattivare la valvola del gas che perde, aprire porte e finestre e non scollegare il cavo di alimentazione dell'apparecchiatura.
- ▶ Attendere come minimo 7 minuti per ricollegare l'alimentazione dopo aver eseguito lo scollegamento.
- ▶ Non sollevare l'apparecchiatura prendendola per le maniglie.
- ▶ Le chiavi vanno tenute fuori dalla portata dei bambini e non nelle immediate vicinanze dell'apparecchiatura al fine di impedire che i bambini restino bloccati all'interno dell'apparecchiatura stessa.



ATTENZIONE!

- ▶ Si prega di notare che il prodotto funziona a una temperatura compresa fra i 10 e i 38°C. Il dispositivo potrebbe non funzionare correttamente se viene lasciato a lungo a temperature superiori o inferiori all'intervallo indicato.
- ▶ Non posizionare articoli instabili (oggetti pesanti, contenitori pieni d'acqua) sopra all'apparecchio, per evitare lesioni personali causate da caduta o scosse elettriche causate dal contatto con l'acqua.
- ▶ Aprire e chiudere lo sportello solo tramite le maniglie, lo spazio tra la lo sportello e l'armadietto è molto stretto, non mettere le mani in queste zone per evitare di schiacciarsi le dita, aprire o chiudere gli sportelli dell'apparecchio solo quando non ci sono bambini nel raggio di movimento dello sportello.
- ▶ Non conservare o utilizzare materiali infiammabili, esplosivi o materiali corrosivi all'interno dell'apparecchio o nelle immediate vicinanze.
- ▶ Non conservare sostanze esplosive quali ad esempio bombolette aerosol con propellenti infiammabili all'interno del dispositivo.
- ▶ Non conservare medicinali, batteri o agenti chimici nell'apparecchio. Questo apparecchio è un elettrodomestico e si raccomanda di non conservarvi all'interno materiali che richiedono temperature rigide.
- ▶ Non impostare temperature inutilmente basse all'interno della cantinetta vino. Con impostazioni elevate si potrebbero avere temperature basse. Attenzione: Le bottiglie possono esplodere
- ▶ Non toccare la superficie interna dell'elettrodomestico mentre è in funzione, in particolar modo con le mani bagnate, dato che le mani si potrebbero congelare a contatto con la superficie.
- ▶ Al fine di garantire un corretto raffreddamento del vino, non sovraccaricare l'apparecchiatura.
- ▶ Scollegare l'apparecchio in caso di interruzione di corrente o prima della pulizia, attendere almeno 7 minuti prima di riavviarlo, in quanto un avviamento frequente può danneggiare il compressore.
- ▶ **AVVERTENZA:** Non utilizzare apparecchiature elettriche all'interno dell'elettrodomestico, a eccezione di quelli consigliati dal costruttore. Per evitare rischi, rivolgersi all'assistenza clienti per sostituire un cavo di alimentazione danneggiato (cfr. scheda garanzia).
- ▶ Per prolungare la durata di vita dell'apparecchiatura, evitare di spegnerla.
- ▶ Non posizionare mai l'apparecchio orizzontalmente sul pavimento, dopo averlo inclinato di oltre 45°, attendere 24 ore prima di inserire la spina.

**ATTENZIONE!****Manutenzione / pulizia**

- ▶ Verificare che i bambini siano supervisionati se eseguono operazioni di pulizia e manutenzione.
- ▶ Scollegare il dispositivo dall'alimentazione elettrica prima di intraprendere qualsiasi intervento di manutenzione. Lasciar passare almeno 7 minuti prima di riavviare il dispositivo, dato che operazioni di avvio frequenti potrebbero danneggiare il compressore.
- ▶ Tenere la presa e non il cavo in fase di scollegamento del dispositivo.
- ▶ Non pulire il dispositivo con spazzole dure, spugnette abrasive, detergente in polvere, petrolio, amil acetato, acetone e altre simili soluzioni organiche, soluzioni acide o alcaline. Pulire con l'apposito detergente per congelatore/frigo, al fine di evitare danni. Utilizzare acqua calda e soluzione di bicarbonato di sodio; circa un cucchiaino di bicarbonato di sodio per un litro e un quarto di acqua. Risciacquare completamente con acqua e asciugare. Non usare detersivi in polvere o altri detersivi abrasivi. Non lavare le parti rimovibili in una lavastoviglie.
- ▶ **AVVERTENZA:** Non utilizzare dispositivi meccanici o altri mezzi per accelerare il processo di scongelamento, che non siano quelli raccomandati dal produttore.
- ▶ Se il cavo di alimentazione è danneggiato, deve essere sostituito dal produttore, da un tecnico autorizzato o da una persona qualificata per evitare situazioni di pericolo.
- ▶ Non provare a riparare, smontare o modificare il dispositivo in modo autonomo. In caso di riparazioni rimandiamo al nostro centro assistenza clienti.
- ▶ Se la lampada è danneggiata, deve essere sostituita dal produttore, da un tecnico autorizzato o da una persona qualificata per evitare situazioni di pericolo.
- ▶ Eliminare la polvere sulla parte posteriore dell'unità una volta all'anno per evitare di correre rischi legati al fuoco ed evitare un consumo eccessivo di corrente.

- ▶ Non spruzzare o lavare il dispositivo in fase di pulizia.
- ▶ Non usare acqua spray o vapore per pulire il dispositivo.
- ▶ Non pulire le porte in vetro fredde con acqua calda. Le improvvise variazioni di temperatura potrebbero causare la rottura del ghiaccio.
- ▶ Se si lascia l'apparecchio fuori uso per un periodo prolungato, lasciarlo aperto per evitare la formazione di odori sgradevoli all'interno.

Informazioni sul gas refrigerante



ATTENZIONE!

Il dispositivo contiene il refrigerante infiammabile ISOBUTANO (R600a). Verificare che il circuito del refrigerante non si sia danneggiato in fase di trasporto o installazione. Le perdite di refrigerante possono causare lesioni agli occhi o rischi di incendio. Qualora si siano verificati dei danni, tenere lontano dalle fonti di fuoco libero, ventilare bene la stanza, **non** collegare o scollegare i cavi di alimentazione del dispositivo o di qualsiasi altro dispositivo. Informare l'assistenza clienti.

Qualora gli occhi entrino in contatto col refrigerante, risciacquare immediatamente sotto all'acqua corrente e chiamare immediatamente un medico oculista.

AVVERTENZA: Il sistema di refrigerazione è sotto alta pressione. Non manometterlo. Poiché sono utilizzati refrigeranti infiammabili, installare, maneggiare e riparare l'apparecchio seguendo rigorosamente le istruzioni e contattare un addetto o il nostro servizio post-vendita per smaltire l'apparecchio.

Uso previsto


L'apparecchiatura è stata pensata per essere usata in casa e in applicazioni simili, quali ad esempio

- cucine per il personale in negozi, uffici e altri ambienti di lavoro;
 - fattorie e clienti di hotel, motel e altri ambienti residenziali;
 - ambienti tipo bed and breakfast;
 - catering e usi simili non al fine di vendita.
- Per garantire la conservazione sicura del vino, si prega di osservare queste istruzioni per l'uso.
- I dettagli sulla parte più adatta nel comparto dell'apparecchio dove conservare specifici tipi di alimenti, considerando la distribuzione della temperatura che può essere presente nei diversi scomparti, si trovano nell'altra parte del manuale.

Non sono ammesse modifiche o cambiamenti sull'apparecchiatura. Un uso non previsto potrebbe causare pericoli e perdita del servizio di copertura della garanzia.

Smaltimento



Il simbolo  sul prodotto o sulla confezione indica che il prodotto non va gestito come un normale rifiuto domestico. Portare il prodotto presso un centro di raccolta per il riciclaggio della strumentazione elettrica ed elettronica. Assicurando che questo prodotto venga smaltito correttamente si contribuisce a prevenire potenziali conseguenze negative per l'ambiente e la salute umana che potrebbero invece derivare da uno smaltimento non corretto del prodotto stesso. Per informazioni più dettagliate sul riciclaggio di questo prodotto, rivolgersi all'ufficio locale competente, al servizio di smaltimento dei rifiuti domestici o al negozio presso il quale è stato acquistato il prodotto.

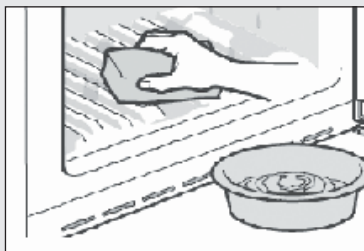
Poiché vengono utilizzati i gas di isolamento infiammabili, contattare un professionista o il nostro servizio post-vendita per smaltire l'apparecchio.

ATTENZIONE!

Rischio di lesione o soffocamento!

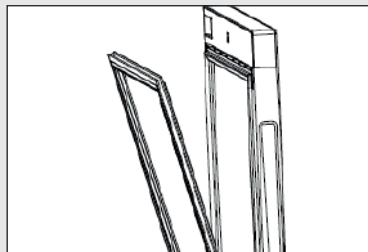
I refrigeranti e i gas vanno smaltiti in modo professionale. Verificare che i tubi del circuito refrigerante non si siano danneggiati prima di smaltirli in modo adeguato. Scollegare il dispositivo dalla presa di corrente. Tagliare il cavo di rete e smaltirlo. Togliere i vassoi e i cassette, oltre che il lucchetto e le guarnizioni della porta al fine di evitare che i bambini e gli animali domestici rimangano intrappolati all'interno del dispositivo.

- ▶ **AVVERTENZA:** Scollegare il dispositivo dalla presa di corrente prima di avviare le operazioni di pulizia.
- ▶ Non pulire l'apparecchio con spazzole dure, spazzole metalliche, detersivo in polvere, benzina, acetato di amile, acetone e soluzioni organiche simili, soluzioni acide o alcaline. Pulire con l'apposito detergente per il frigorifero per evitare danni.
- ▶ Pulire l'apparecchio quando vi è conservato poco vino o non vi è vino. È necessario pulirlo solo quando è sporco.
- ▶ Pulire l'interno e l'alloggiamento del dispositivo servendosi di una spugna imbevuta di acqua tiepida e detergente neutro
- ▶ Risciacquare con acqua tiepida pulita e asciugare con un panno morbido.
- ▶ Non pulire alcun componente dell'apparecchio in lavastoviglie.
- ▶ Lasciar passare almeno 7 minuti prima di riavviare il dispositivo, dato che operazioni di avvio frequenti potrebbero danneggiare il compressore.



Pulire la guarnizione della porta:

- ▶ Le guarnizioni della porta dovrebbero essere pulite a intervalli di 3 mesi al fine di garantire una buona tenuta. Come segue: Rimuovere: Afferrare la guarnizione della porta ed estrarla secondo la direzione della freccia, per rimuovere l'intera guarnizione della porta. Immergere una spazzola in acqua o alcool per alimenti, pulire la scanalatura della guarnizione della porta muovendo avanti e indietro la spazzola. Quindi pulire la superficie della guarnizione della porta con un asciugamano imbevuto di acqua o alcool alimentare. Infine, lavare la guarnizione della porta e asciugarla con un panno pulito.



Installazione della guarnizione dello sportello, dopo la pulizia:

Prima dell'installazione, assicurarsi che non vi sia acqua sulla guarnizione. Inserire la guarnizione nella scanalatura e premerla fondo dall'inizio alla fine, fino a quando l'intera guarnizione è inserita nella scanalatura.

Pulizia dei ripiani:

- ▶ Sarà possibile estrarre tutti i ripiani per eseguire le operazioni di pulizia.
- ▶ Estrarre tutte le bottiglie.
- ▶ Sollevare leggermente ogni ripiano e tirarlo fuori.
- ▶ Pulire il ripiano con un asciugamano morbido.
- ▶ Attendere che i ripiani siano asciutti prima di riposizionarli.

AVVERTENZA:

Attendere come minimo 7 minuti per ricollegare l'alimentazione dopo aver eseguito lo scollegamento.

Controllare gli accessori e la documentazione conformemente al presente elenco: senza isolamento.

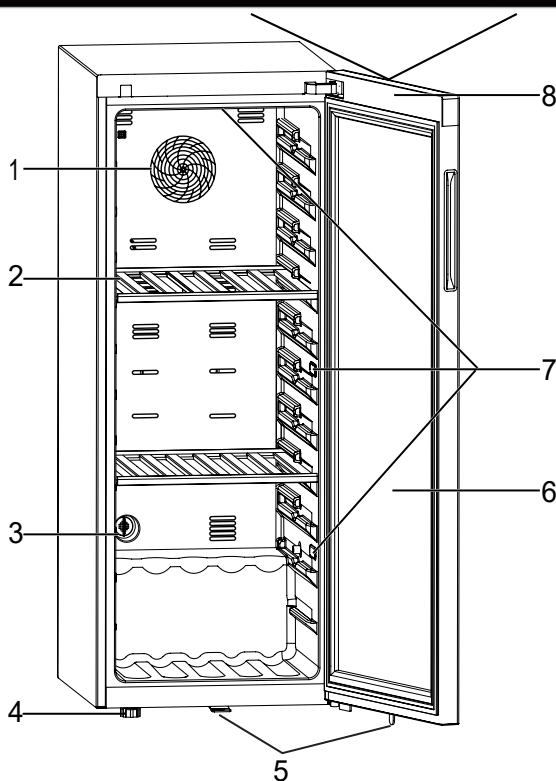
Nome	Manuale utente	Scheda di servizio	Ripia- no	Ripia - no picco - lo	Copri- cerniera	Etichetta energe- tica	Tasto	Manuale camma si- nistra dello sportello
HWS84GA	1	1	6	1	1	1	2	2
HWS84GNF	1	1	6	1	1	1	2	2
HWS49GA	1	1	4	1	1	1	2	2
HWS49GAE	1	1	4	/	/	1	/	/
HWS66GGE	1	1	5	/	/	1	2	/



Nota

A causa di modifiche tecniche e modelli diversi, alcune delle illustrazioni all'interno di questo manuale potrebbero differire dal modello attuale.

Immagine dell'apparecchio



- 1. Ventola (eccetto HWS49GAE, HWS66GGE)
- 2. Ripiano
- 3. Filtro a carbone attivo
- 4. Piedini regolabili

- 5. Blocco (eccetto HWS49GAE)
- 6. Sportello
- 7. Lampada LED
- 8. Display (sulla parte anteriore della porta)

1. Disimballaggio

- ▶ Estrarre il dispositivo dall'imballaggio.
- ▶ Togliere tutti i materiali dell'imballaggio, compresa la base in schiuma, e tutto il nastro adesivo che tiene gli accessori in posizione.

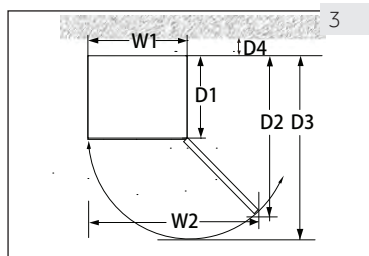
2. Condizioni ambientali

La temperatura della stanza dovrebbe sempre collocarsi in un intervallo compreso fra i 10° C e i 38° C, dato che può influenzare la temperatura all'interno del dispositivo stesso nonché il suo consumo sul piano energetico. Non installare il dispositivo vicino ad altri dispositivi che emettono calore, quali ad esempio forni e frigoriferi, isolamento.

3. Requisiti di spazio

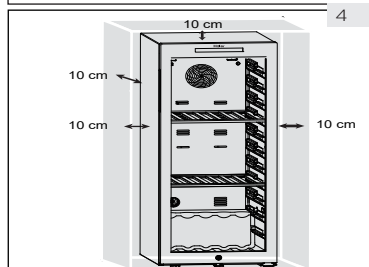
Spazio richiesto per aprire la porta (Fig. 3):

Larghezza in mm		Profondità in mm			Distanza dalla parete in mm
W1	W2	D1	D2	D3	D4
495	630	535	1033	1047	100



4. Spazio di ventilazione

Per motivi di sicurezza e per ragioni energetiche, sarà necessario osservare la distanza di ventilazione richiesta di 10 cm in tutte le direzioni (Fig. 4).



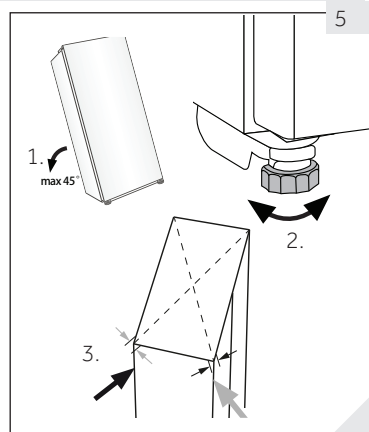
ATTENZIONE!

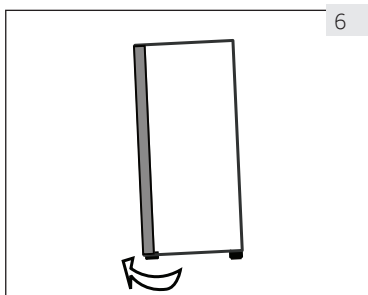
- ▶ Verificare che le aperture di ventilazione, sia sull'apparecchiatura che nella struttura da incasso, siano libere da ostruzioni. Apparecchio di refrigerazione non destinato ad essere utilizzato come apparecchio da incasso.

5. Allineamento dell'apparecchiatura

L'apparecchiatura dovrebbe essere collocato su una superficie piana e resistente.

1. Inclinare l'apparecchiatura leggermente all'indietro (Fig. 5).
2. Impostare i piedini anteriori regolabili fino al livello desiderato ruotandoli.
3. Sarà possibile verificare la stabilità andando ad agire in modo alternato sulle diagonali. Questa leggera oscillazione dovrebbe essere la stessa in entrambe le direzioni. In caso contrario, il telaio si potrebbe inclinare; le conseguenze sarebbero dei danni alle guarnizioni delle porte, che a loro volta causerebbero perdite. Una leggera inclinazione verso la parte posteriore facilita la chiusura della porta.





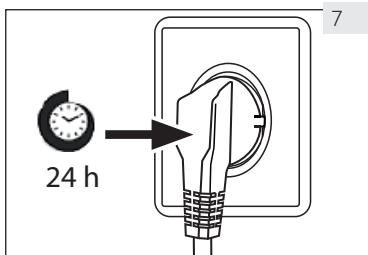
6

6. Regolazione di precisione delle porte

L'apparecchiatura si chiude con più facilità se vengono usati i piedini di livellamento sulla parte anteriore.

Ruotare i piedini regolabili (Fig. 6) per alzarli o abbassarli:

- ▶ La rotazione dei piedini in senso orario alza il dispositivo.
- ▶ La rotazione dei piedini in senso anti-orario abbassa il dispositivo.



7

7. Tempo d'attesa

L'olio di lubrificazione si trova nella capsula del compressore e garantisce un funzionamento senza bisogno di interventi di manutenzione. Questo olio può entrare nel sistema a tubo chiuso in fase di trasporto se l'apparecchiatura viene inclinata. Prima di collegare il dispositivo alla sorgente di alimentazione attendere 24 ore (Fig. 7), affinché l'olio rientri all'interno della capsula.

8. Collegamento elettrico

Prima di ogni collegamento, verificare che:

- ▶ la sorgente di alimentazione, la presa e il fusibile siano adeguati alla targhetta informativa.
- ▶ la presa di alimentazione sia dotata di messa a terra e non vi siano collegate ciabatte o prolunga.
- ▶ il cavo di alimentazione e la presa siano inseriti correttamente.

Collegare la spina a una presa domestica debitamente dotata di messa a terra.



ATTENZIONE!

Per evitare rischi, rivolgersi all'assistenza clienti per sostituire un cavo di alimentazione danneggiato (cfr. scheda garanzia).

9. Possibilità di invertire la porta (eccetto HWS49GAE, HWS66GGE)

Prima di collegare il dispositivo alla sorgente di alimentazione, consigliamo di verificare che sia possibile invertire la porta da destra (come viene consegnato il prodotto) a sinistra, qualora ciò sia necessario conformemente alla posizione di installazione nonché all'uso del dispositivo.

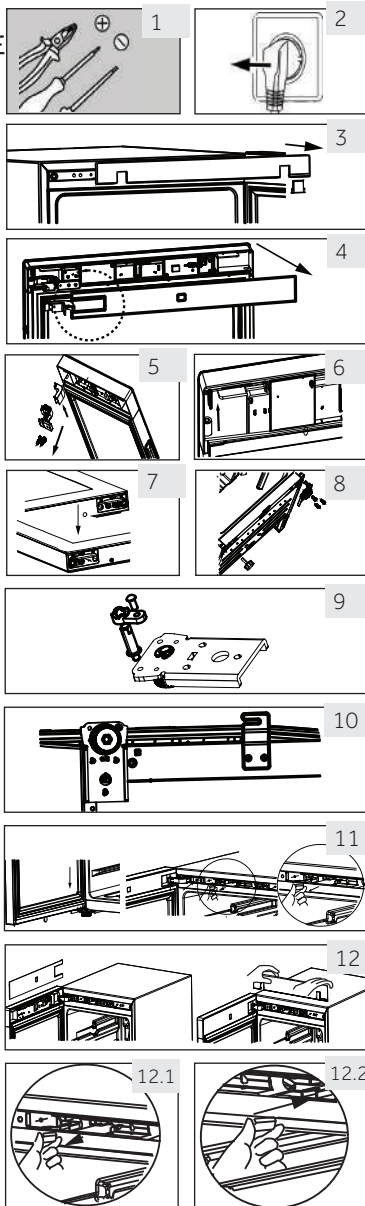


ATTENZIONE!

- ▶ L'apparecchiatura è pesante. Sarà necessario essere in due per eseguire l'inversione della porta.
- ▶ Prima di qualsiasi operazione, scollegare il dispositivo dalla presa di corrente.
- ▶ Non inclinare il dispositivo più di 45° al fine di evitare danni al sistema di raffreddamento.

Passaggi assemblaggio eccetto HWS49GAE, HWS66GGE

1. Prendere gli strumenti necessari.
2. Scollegare il dispositivo.
3. Aprire lo sportello, abbassare la striscia frontale e trovare la striscia corrispondente per rimuovere il lato sinistro e posizionare sul lato destro dello spazio.
4. Scollegare il cavo di collegamento. Estrarre la parte superiore della guarnizione dello sportello e togliere la striscia posteriore dello sportello (Rimuovere dall'apertura laterale sinistra).
5. Rimuovere le 2 viti sulla cerniera superiore.
6. Rimuovere la copertura e la cerniera, rimuovere la copertura dell'asse, quindi montarlo sull'altro lato, poi montare la cerniera nell'asse.
7. Rimuovere la camma e il supporto della porta, spostare il supporto dello sportello su un altro lato dello stesso. Installare la nuova camma dal sacchetto regalo.
8. Con la cantinetta inclinata (meno di 45°), rimuovere la cerniera inferiore (3 viti) di scorta.
9. Rimuovere la camma della cerniera inferiore e l'asse della cerniera. Installare l'asse sul lato destro della cerniera inferiore. Estrarre la camma dal sacchetto delle istruzioni e montarla sull'asse inferiore della cerniera.
10. Installare la cerniera inferiore e il piedino inferiore sull'altro lato della cantinetta. Lubrificare la camma.
11. Installare lo sportello sull'asse della cerniera inferiore e fissare la cerniera superiore con due viti sull'armadietto. Fissare i cavi di segnale al centro della scanalatura superiore della cerniera, prendere il rivestimento della cerniera nel sacchetto delle istruzioni e fissarlo sulla cerniera superiore.
12. Montare la guarnizione della porta e il listello della porta su di essa. Inserire la coppia di cavi di segnalazione della porta, spostare l'interruttore magnetico (12.1) sulla fessura di montaggio destra (12.2) della scatola superiore dell'asse e fissare il rivestimento anteriore dell'armadietto.
13. Assicurarsi che la porta sia in grado di aprirsi e chiudersi in buone condizioni.



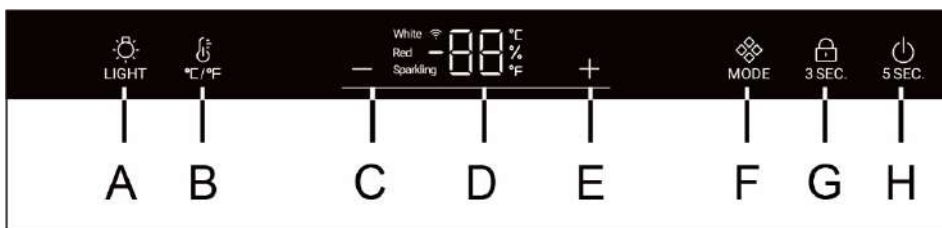
1. Prima di iniziare a usare il dispositivo

- ▶ Togliere tutti i materiali dell'imballaggio. Ciò comprende la base della schiuma e tutto il nastro adesivo che tiene fermi gli accessori della cantinetta per vini all'interno e all'esterno. Tenere fuori dalla portata dei bambini e smaltire in modo rispettoso dell'ambiente.
- ▶ Pulire l'interno e l'esterno del dispositivo con acqua e con un detergente delicato prima di inserire del vino all'intero.
- ▶ Dopo aver appoggiato in piano e pulito l'apparecchiatura, attendere almeno 2 ore prima di collegare nuovamente il dispositivo alla presa di corrente. Se la cantinetta per vini è rimasta inclinata per qualsiasi motivo, attendere 24 ore prima di collegarla. Consultare la sezione INSTALLAZIONE.
- ▶ Dopo aver collegato l'unità a una presa elettrica, lasciare in funzione l'unità per almeno 30 secondi per consentire l'acclimatamento prima di apportare eventuali modifiche.
- ▶ La temperatura viene impostata automaticamente a 12 °C. Se lo si desidera, è possibile modificarla manualmente. Rimandiamo alla sezione TEMPERATURA.

2. Tasti touch



I pulsanti sul pannello di controllo sono touch, e rispondono quando vengono sfiorati col dito.

3. Descrizione del pannello di controllo



- | | |
|---|--|
| A Pulsante luce interna | E Pulsante regolazione temperatura: su |
| B Pulsante di conversione °C /°F | F Pulsante modalità |
| C Pulsante regolazione temperatura: giù | G Pulsante di blocco |
| D Display | H Pulsante di accensione |

4. Funzione di blocco automatico

Il pannello di controllo si blocca automaticamente da qualsiasi tasto premuto dopo 30 secondi dalla sua attivazione, la spia  si illumina. Per attivare il blocco tasti, premere il pulsante  per 3 secondi, quando è bloccato, le luci a LED illuminate si attenuano. Il pulsante A non è bloccato.

5. Funzione del pulsante di accensione

Tenendo premuto per 5 secondi il pulsante H, la cantinetta si spegne.

Tenendo premuto per 5 secondi il pulsante H, la cantinetta si accende.

6. Impostazione temperatura



Nota

Pre-impostazioni

- ▶ Dopo aver collegato l'unità a una presa elettrica, lasciare in funzione l'unità per almeno 30 secondi per consentire l'acclimatamento prima di apportare eventuali modifiche.
- ▶ Quando l'apparecchio viene acceso dopo averlo scollegato dalla rete elettrica, possono essere necessarie diverse ore per raggiungere le corrette temperature, il tempo esatto varia a seconda dell'ambiente e della temperatura impostata.



Premere il pulsante o , il display inizierà a lampeggiare. Premere il pulsante o per impostare la temperatura desiderata. La gamma di impostazione della temperatura è: 5-20 °C (41-68 °F). Smettere di premere il tasto per 3 secondi, la temperatura viene confermata.

7. Funzione modalità

Premere il pulsante . La temperatura passa da spumante (8 °C o 47 °F) a bianco (12 °C o 54 °F) e rosso (16 °C o 61 °F).

Impostazioni temperatura consigliata

Vengono consigliate le seguenti temperature per le diverse tipologie di vino.

Vino rosso	+13 °C a +20 °C (+55 °F a +68 °C)	Vino frizzante Prosecco	+5 °C a +8 °C (+41 °F a 47 °F)
Vino bianco	+9 °C a +12 °C (+48 °F a +54 °F)		

Se il vino viene conservato per lunghi periodi di tempo, va conservato a una temperatura compresa fra i +10 °C e +12 °C (50 °F e +54 °F).

8. Modalità standby

Il display si oscura automaticamente dopo 30 secondi.

Si accende automaticamente quando viene toccato qualsiasi tasto o quando viene aperta la porta.



Nota Influenze sulle temperature



La temperatura all'interno dell'apparecchiatura è influenzata dai seguenti fattori:

- ▶ Temperatura ambiente
- ▶ Frequenza di apertura della porta
- ▶ Quantitativo di bottiglie conservate all'interno
- ▶ Dove è stato posto l'apparecchio

L'impostazione predefinita è 12 °C

Quando il display smette di lampeggiare, si visualizza di nuovo la temperatura corrente all'interno della cantinetta. Ci vorrà del tempo per raggiungere la temperatura impostata.

9. Impostazione modalità di illuminazione

Premere il tasto  LIGHT . Quando le luci nella cantinetta sono accese, esse si accendono gradualmente. Premendo nuovamente il pulsante  LIGHT , le luci si spegneranno gradualmente.

10. Funzione °C/°F

Premere il pulsante  , per passare da Fahrenheit a Celsius.

11. Funzione memoria di spegnimento

In caso di black-out la cantinetta salva in modo automatico la temperatura impostata. Dopo il ritorno dell'energia elettrica, funzionerà in base alla temperatura impostata prima dell'interruzione di corrente.

12. Funzione di compensazione della bassa temperatura (eccetto HWS49GAE, HWS66GGE)

La cantinetta per vini dispone di una funzione di compensazione della temperatura al fine di garantire la stabilità della temperatura: Quando la temperatura ambiente è inferiore alla temperatura impostata, la cantinetta avvia automaticamente la funzione di compensazione della bassa temperatura, riscaldando l'apparecchio. Quando la temperatura nell'applicazione raggiunge la temperatura impostata, la funzione di compensazione della bassa temperatura viene disattivata automaticamente.

13. Avviso apertura porta

Qualora la porta venga tenuta aperta per più di 1 minuto, il cicalino continuerà a emettere dei bip come allarme fino a che non verrà chiusa la porta o qualsiasi tasto sul pannello display non potrà essere usato e poi il cicalino smetterà di fare bip.



Consigli per il risparmio energetico

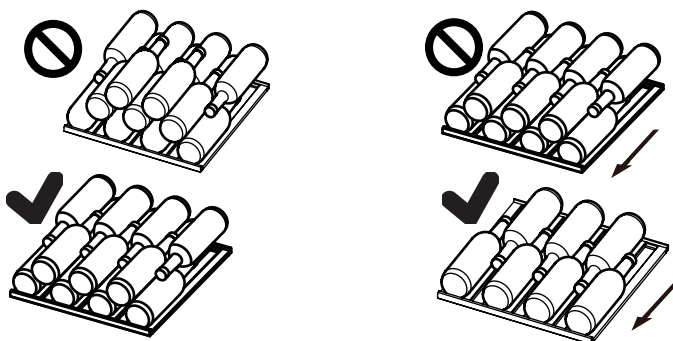
- ▶ Accertarsi che l'elettrodomestico sia adeguatamente ventilato (v. INSTALLAZIONE).
- ▶ Non installare l'elettrodomestico esposto alla luce diretta del sole o in prossimità di fonti di calore (ad es. stufe o radiatori).
- ▶ Evitare che la temperatura dell'elettrodomestico sia inutilmente bassa. Il consumo energetico aumenta quanto più bassa è la temperatura impostata nell'elettrodomestico.
- ▶ Aprire lo sportello dell'elettrodomestico senza spalancarlo e per il più breve tempo possibile.
- ▶ Per evitare ostruzioni del flusso d'aria, non superare la quantità di bottiglie indicata.
- ▶ Mantenere pulite le guarnizioni dello sportello in modo che si chiuda sempre correttamente.
- ▶ La configurazione a maggior risparmio energetico richiede che il cassetto, la scatola del cibo e i ripiani siano posizionati nell'apparecchio come freschi di fabbrica e il cibo da posizionare senza bloccare l'uscita dell'aria del condotto

1. Ripiano


1. I ripiani sono stati progettati per una facile conservazione ed estrazione del vino. Essi possono essere puliti con un panno morbido.
2. Sarà possibile impilare le bottiglie di dimensioni normali con un diametro di 76 mm.
3. Sarà possibile impilare le bottiglie Magnum sul ripiano inferiore.
4. La quantità può variare rispetto al numero di bottiglie indicate nell'immagine, a condizione che siano impilate diversamente.

Consigli per l'allestimento della cantinetta

Si raccomanda che il numero di bottiglie di vino non superi i due strati su ogni ripiano e che la capacità portante degli scaffali del vino non superi i 20 kg. Prima di collocare le bottiglie all'interno della cantina, verificare se i ripiani sono completamente stabili o meno; inoltre, verificare se una bottiglia sporge o meno dai ripiani per evitare che le bottiglie colpiscano la porta in vetro alla chiusura.



2. Illuminazione

La luce a LED interna si accende quando viene aperta la porta. Per accendere la luce a sportello chiuso, toccare il pulsante . Per spegnere la luce, toccare nuovamente il pulsante. Per aumentare l'efficienza energetica, le luci dovrebbero essere spente quando non si visualizza il contenuto della cantinetta.

3. Il blocco

Per chiudere a chiave la cantinetta per vini, chiudere la porta e mettere la chiave nella serratura:

- ▶ Bloccare la porta ruotando la chiave in senso anti-orario;
- ▶ Sbloccare la porta ruotando la chiave in senso orario.

1. Sbrinamento

Lo sbrinamento della cantinetta per vini avviene in automatico, non è necessario intervenire manualmente.

2. Sostituzione della lampada LED

La lampada si serve della tecnologia LED come sorgente luminosa. Ciò comporta un basso consumo energetico e una lunga durata di vita. In caso di anomalie, si prega di contattare il servizio clienti, cfr. SERVIZIO CLIENTI.



ATTENZIONE!

Non sostituire la lampada da soli. Va sostituita solo dal produttore o dall'agente di servizio autorizzato.

Parametri della lampada LED:

Tensione 12 V; Potenza massima: 8 W (per HWS84GA, HWS49GNFe HWS66GGE)

Tensione 12 V; Potenza massima: 5 W (per HWS49GAE e HWS49GA)

3. Non uso per lunghi periodi di tempo

Togliere il cavo di alimentazione.

Pulire l'apparecchiatura e la guarnizione della porta conformemente a quanto descritto più sopra.

Tenere aperta la porta per evitare la formazione di cattivi odori all'interno.

4. Spostamento del dispositivo

1. Togliere tutte le bottiglie e scollegare il dispositivo.
2. Fissare i ripiani e tutte le parti mobili nella cantinetta per vini servendosi di nastro adesivo.
3. Non inclinare la cantinetta per vini più di 45° per evitare di danneggiare il sistema refrigerante.

5. Scambio d'aria con filtro a carboni attivi

Il modo in cui i vini continuano a maturare dipende dalle condizioni ambientali; la qualità dell'aria è quindi determinante per la conservazione del vino. Un filtro a carboni attivi è stato installato nella parte inferiore della parete posteriore dell'apparecchio, per garantire una qualità ottimale.



Nota

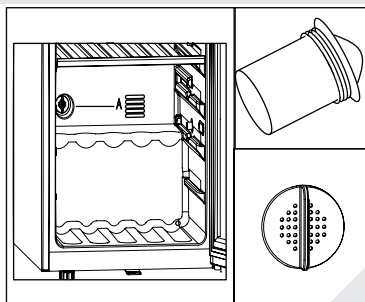
Si consiglia di sostituire il filtro una volta all'anno e di rivolgersi al proprio rivenditore.

Sostituzione del filtro:

Prendere il filtro per la maniglia. Ruotarlo verso sinistra e rimuoverlo.

Inserimento del filtro:

Inserirlo con la maniglia in posizione verticale. Ruotarlo verso destra e inserirlo.



Molti dei problemi più ricorrenti possono essere risolti senza competenze specifiche. In caso di problemi controllare tutte le possibilità indicate e attenersi alle seguenti istruzioni prima di contattare il servizio post vendita. Cfr. ASSISTENZA CLIENTI.

ATTENZIONE!

- ▶ Prima di eseguire qualunque intervento di manutenzione, spegnere l'apparecchio ed estrarre la spina dalla presa.
- ▶ Gli interventi di manutenzione sulla strumentazione elettrica vanno eseguiti unicamente da elettricisti esperti, dato che l'esecuzione di riparazioni in modo non adeguato può causare gravi danni alla strumentazione.
- ▶ Un'alimentazione danneggiata va sostituita unicamente dal produttore, dal suo agente di servizio o da persone qualificate al fine di evitare pericoli.

Codice di errore	Causa	Soluzione
rH	La temperatura è troppo alta.	Si prega di contattare il nostro servizio post-vendita.
rL	La temperatura è troppo bassa.	Si prega di controllare la temperatura ambiente dovrebbe essere compresa tra 10 °C e 38 °C.

Problema	Possibile causa	Possibile soluzione
Il compressore non funziona.	<ul style="list-style-type: none"> La spina non è collegata alla presa di corrente. 	<ul style="list-style-type: none"> Inserire la spina nella presa.
Il dispositivo funziona frequentemente oppure funziona per periodi di tempo troppo lunghi.	<ul style="list-style-type: none"> La temperatura interna o esterna è troppo alta. Il dispositivo è stato spento per lunghi periodi di tempo. Una porta del dispositivo non è stata chiusa correttamente. La porta è stata aperta con eccessiva frequenza o troppo a lungo. Le guarnizioni della porta sono sporche, usurate, rotte o non sono posizionate correttamente. Non è garantito il livello adeguato di circolazione dell'aria. La temperatura è impostata su un livello troppo basso. 	<ul style="list-style-type: none"> In questo caso, è normale che il dispositivo funzioni più a lungo. Di norma, è necessario aspettare un po' di tempo per consentire un raffreddamento completo del dispositivo. Chiudere la porta e verificare che il dispositivo si trovi su una superficie piana e che non vi siano alimenti o contenitori che bloccano la porta. Non aprire la porta con eccessiva frequenza. Pulire la guarnizione della porta o provvedere alla sostituzione da parte del servizio clienti. Garantire un livello di ventilazione adeguato. Il problema verrà risolto quando viene raggiunta la temperatura desiderata.
L'interno della cantinetta per vini è sporco e/o emana cattivo odore.	<ul style="list-style-type: none"> La parte interna della cantinetta per vini deve essere pulita. 	<ul style="list-style-type: none"> Pulire l'interno della cantinetta per vini.
All'interno del dispositivo non c'è abbastanza freddo.	<ul style="list-style-type: none"> La temperatura è impostata su un livello troppo alto. Le bottiglie sono state aggiunte di recente. Una porta del dispositivo non è stata chiusa correttamente. La porta è stata aperta con eccessiva frequenza o troppo a lungo. Le guarnizioni della porta sono sporche, usurate, rotte o non sono posizionate correttamente. 	<ul style="list-style-type: none"> Resettare la temperatura. Lasciar tempo che le bottiglie aggiunte di recente raggiungano la temperatura desiderata. Chiudere la porta. Non aprire la porta con eccessiva frequenza. Pulire la guarnizione della porta o provvedere alla sostituzione da parte del servizio clienti.
C'è troppo freddo all'interno del dispositivo.	<ul style="list-style-type: none"> La temperatura è impostata su un livello troppo basso. 	<ul style="list-style-type: none"> Resettare la temperatura.
Formazione di umidità all'interno dello scomparto frigorifero.	<ul style="list-style-type: none"> Il clima è troppo caldo e troppo umido. Una porta del dispositivo non è stata chiusa correttamente. La porta è stata aperta con eccessiva frequenza o troppo a lungo. 	<ul style="list-style-type: none"> Aumentare la temperatura. Chiudere la porta. Non aprire le porte o i cassetti con eccessiva frequenza.

Problema	Possibile causa	Possibile soluzione
L'umidità si accumula sulla superficie esterna della cantinetta per vini.	<ul style="list-style-type: none"> • Il clima è troppo caldo e troppo umido • La porta non è ben chiusa. L'aria fredda all'interno del dispositivo e l'aria calda all'esterno causano condensa. 	<ul style="list-style-type: none"> • Si tratta di una condizione normale con climi umidi. Ciò varierà al variare del livello di umidità. • Verificare che la porta sia chiusa saldamente e che le guarnizioni sigillino in modo adeguato.
L'apparecchio emette suoni anormali	<ul style="list-style-type: none"> • Il dispositivo non era appoggiato su una superficie piana. • Il dispositivo tocca alcuni oggetti nelle immediate vicinanze. 	<ul style="list-style-type: none"> • Regolare i piedini e livellare il dispositivo. • Togliere gli oggetti nelle immediate vicinanze del dispositivo.
Si sente un suono leggero, simile a quello dell'acqua che scorre.	<ul style="list-style-type: none"> • Non si tratta di un'anomalia 	<ul style="list-style-type: none"> • -
Il sistema di illuminazione interna o quello di raffreddamento non funziona.	<ul style="list-style-type: none"> • La spina non è collegata alla presa di corrente. • Il sistema di alimentazione non è intatto. • Una delle lampade LED non funziona. 	<ul style="list-style-type: none"> • Inserire la spina nella presa. • Controllare l'alimentazione elettrica della stanza. Chiamare l'azienda di fornitura elettrica locale. • Rivolgersi all'assistenza clienti per la sostituzione
I lati del refrigeratore e i nastri della porta si riscaldano	<ul style="list-style-type: none"> • Non si tratta di un'anomalia di funzionamento. 	<ul style="list-style-type: none"> • -
La porta non si chiude correttamente	<ul style="list-style-type: none"> • L'apparecchiatura non è in piano. • La porta è bloccata. 	<ul style="list-style-type: none"> • Mettere a livello l'apparecchiatura con i piedini di livellamento. • Controllare la presenza di blocchi quali ad esempio bottiglie o ripiani.

Per contattare l'assistenza tecnica, visitare il nostro sito Web:

<https://corporate.haier-europe.com/en/>. Nella sezione "websites", scegli la marca del tuo prodotto e il tuo paese. Verrai reindirizzato al sito specifico dove potrai trovare il numero di telefono e il modulo per contattare l'assistenza tecnica

Scheda del prodotto conformemente alla normativa UE Numero 2019/2016

Marca	Haier	Haier	Haier
Nome modello/identificativo	HWS49GA /HWS49GAE	HWS84GNF	HWS84GA /HWS66GGE
Categoria	Cantina per vini	Cantina per vini	Cantina per vini
Categoria di raffreddamento per la casa	I	I	I
Classe di efficienza energetica	F	F	G
Consumo energetico annuo (kWh/anno) ¹⁾	104	110	149/153
Volume di conservazione (L)	116/118	198	198
Classe climatica: Questo dispositivo è stato pensato per essere usato a una temperatura ambiente compresa fra 10 °C e 38 °C.	SN N ST	SN N ST	SN N ST
Emissioni di rumore per via aerea (db(A) re 1pW)	C(37)	C(37)	C(37)
Tipo di apparecchio	Indipendente	Indipendente	Indipendente
Questo dispositivo è stato pensato per essere usato solo per la conservazione del vino.	Sì	Sì	Sì
Dimensioni (P/L/H in mm)	585/497/820	585/497/1270	585/497/1270

Descrizioni:

1) Sulla base dei risultati di test standard per 24 ore. Il consumo energetico effettivo dipende dall'ambiente reale, dalla quantità di bottiglie conservate, dalla temperatura impostata, dall'apertura e chiusura dello sportello ecc.

2) Il consumo energetico nominale è il valore ottenuto secondo la prova standard con la luce interna della cantinetta spenta.

—temperata estesa: «Apparecchio di refrigerazione destinato a essere utilizzato a una temperatura ambiente compresa tra 10 °C e 32 °C»;

—temperata: «Apparecchio di refrigerazione destinato a essere utilizzato a una temperatura ambiente compresa tra 16 °C e 32 °C»;

—subtropicale: «Apparecchio di refrigerazione destinato a essere utilizzato a una temperatura ambiente compresa tra 16 °C e 38 °C»;

—tropicale: «Apparecchio di refrigerazione destinato a essere utilizzato a una temperatura ambiente compresa tra 16 °C e 43 °C»;

Standard e direttive

Questo prodotto soddisfa i requisiti di tutte le direttive CE applicabili con i corrispondenti standard armonizzati, il che gli conferisce la marcatura CE.

Consigliamo di fare riferimento alla nostra Assistenza Clienti Haier; consigliamo inoltre di servirsi di componenti originali.

In caso di problemi col dispositivo, controllare come prima cosa la sezione GUIDA ALLA RISOLUZIONE DEI PROBLEMI.

Qualora non fosse possibile trovare una soluzione, contattare

- il proprio rivenditore locale
 - l'area Assistenza & Supporto su www.haier.com dove è possibile trovare numeri di telefono e Domande Frequenti e da dove è possibile attivare la richiesta di intervento.
- Per contattare il nostro Servizio, verifi care di disporre dei seguenti dati.

Le informazioni si trovano sulla targhetta.

Modello _____ N. Seriale _____

Consigliamo inoltre di controllare la Scheda Garanzia fornita in dotazione col prodotto qualora si debba fare ricorso alla garanzia.

Per richieste commerciali generiche indichiamo qui di seguito i nostri indirizzi in Europa:

Indirizzi Haier europei			
Paese*	Indirizzo postale	Paese	Indirizzo postale
Italia	Haier Europe Trading SRL Via De Cristoforis, 12 21100 Verese ITALY	Francia	Haier France SAS 3-5 rue des Graviers 92200 Neuilly sur Seine FRANCE
Spagna Portogallo	Haier Iberia SL Pg. Garcia Faria, 49-51 08019 Barcelona SPAIN	Belgium-FR Belgium-NL Netherlands Luxembourg	Haier Benelux SA Anderlecht Route de Lennik 451 BELGIUM
Germania, Austria	Haier Deutschland GmbH Hewlett-Packard-Str. 4 D-61352 Bad Homburg GERMANY	Polonia Repubblica Ceca Ungheria Grecia Romania Russia	Haier Polonia Sp. zo.o. Al. Jerozolimskie 181B 02-222 Warszawa POLAND
Regno Unito	Haier Appliances UK Co. Ltd. One Crown Square Church Street East Woking, Surrey, GU21 6HR UK		

DISPONIBILITA' DEI RICAMBI

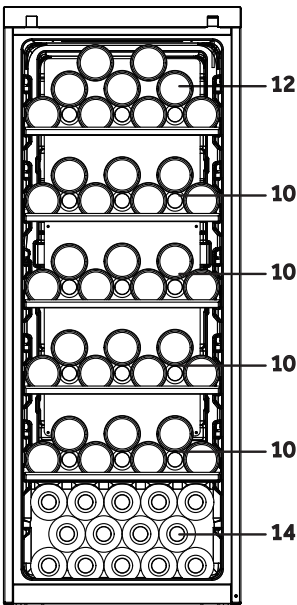
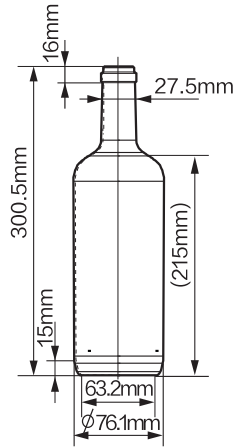
termostati, sensori di temperatura, schede a circuiti stampati e sorgenti luminose sono disponibili per un periodo minimo di sette anni dall'immissione sul mercato dell'ultima unità del modello;

maniglie e cerniere delle porte, vassoi e cesti sono disponibili per un periodo minimo di sette anni e guarnizioni delle porte per un periodo minimo di dieci anni dall'immissione sul mercato dell'ultima unità del modello;

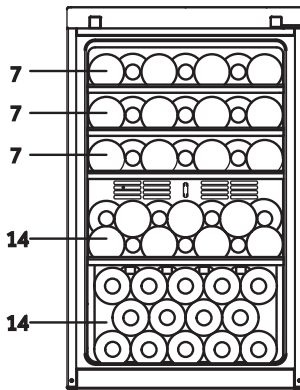
GARANZIA

La garanzia minima è: 2 anni per i Paesi UE, 3 anni per la Turchia, 1 anno per il Regno Unito, 1 anno per la Russia, 3 anni per la Svezia, 2 anni per la Serbia, 5 anni per la Norvegia, 1 anno per il Marocco, 6 mesi per l'Algeria, la Tunisia nessuna garanzia legale richiesta.

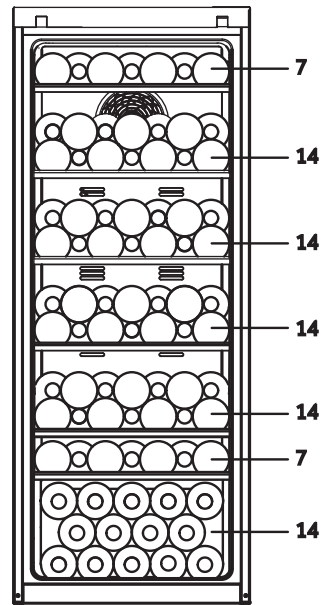
Per ulteriori informazioni sul prodotto, consultare <https://eprel.ec.europa.eu/> o eseguire la scansione del QR sull'etichetta energetica fornita con l'apparecchio



(66)
HWS66GGE



(49)
HWS49GA
HWS49GAE



(84)
HWS84GA
HWS84GNF

HWS-84GA-49GA-49GAE-84GNF-66GGE-IT

Haier



Manual del Usuario

Bodega de vinos

HWS84GA

HWS84GNF

HWS49GA

HWS49GAE

HWS66GGE

ES

Haier

Gracias por comprar un producto Haier.

Lea con atención todas las instrucciones antes de utilizar el aparato. Las instrucciones contienen información importante que le ayudará a aprovechar al máximo el dispositivo y garantizar una instalación, uso y mantenimiento seguros y adecuados.

Conserve el manual en un lugar de fácil acceso para consultarlo en cualquier momento y garantizar el uso seguro y adecuado del aparato.

Si vende, regala o deja atrás cuando el aparato por ejemplo si se muda de casa, asegúrese de pasar también este Manual al nuevo propietario del aparato para que pueda familiarizarse con él y con las advertencias de seguridad.



Legenda

Advertencia – Información de seguridad importante



Información general y sugerencias



Información ambiental

Desecho



Ayude a proteger el medio ambiente y la salud de las personas. Coloque el embalaje en los contenedores correspondientes para reciclarlo. Ayude a reciclar los desechos de aparatos eléctricos y electrónicos. No deseche los electrodomésticos marcados con este símbolo junto con la basura doméstica. Lleve el producto a las instalaciones de reciclaje local o comuníquese con su oficina municipal para obtener información.



ADVERTENCIA!!

¡Riesgo de lesiones o asfixia!

Los refrigerantes y gases deben eliminarse profesionalmente. Asegúrese de que el tubo del circuito de refrigerante no esté dañado antes de desecharlo adecuadamente. Desconecte el aparato de la red eléctrica. Desconecte el cable de alimentación y desécheho. Sacar las bandejas y cajones, y los cierres y juntas de las puertas, para evitar que los niños y mascotas queden encerrados en el aparato.

Los electrodomésticos viejos todavía pueden tener algún valor económico. Un método de eliminación respetuoso con el medio ambiente garantizará que las valiosas materias primas que los integran puedan recuperarse y volverse a utilizar.

El ciclopentano, una sustancia inflamable no dañina para el ozono, se utiliza como un expansor para la espuma aislante.

Asegurándose de que este electrodoméstico se elimina correctamente, ayudará a prevenir posibles consecuencias negativas para el medio ambiente y para la salud de las personas. Esas consecuencias podrían derivarse de una mala eliminación del electrodoméstico.

Para obtener información más detallada sobre el reciclaje de este producto, póngase en contacto con su ayuntamiento, con el servicio de recogida de residuos domésticos o con la tienda donde adquirió el producto, gestionado por los profesionales.

Información de seguridad	4
Mantenimiento	11
Accesorios	13
Descripción del producto.....	14
Instalación.....	15
Uso.....	18
Sugerencias para el ahorro energético.....	21
Equipo	22
Limpieza y Cuidados	23
Solución de problemas	24
Atención al cliente.....	28
Apilación de botellas de vino	29

Este aparato fue diseñado para ser utilizado exclusivamente para el almacenamiento de vino. Lea las siguientes indicaciones de seguridad antes de encender el aparato por primera vez:



ADVERTENCIA!!

Antes del primer uso

- ▶ Asegúrese de que el aparato no presente daños ocasionados durante el transporte.
- ▶ Retire todos los embalajes, mantenga fuera del alcance de los niños y deséchelos de forma ecológica.
- ▶ Espere al menos dos horas antes de instalar el aparato para asegurarse de que el circuito de refrigeración funcione completamente.
- ▶ Se necesitan siempre al menos dos personas para mover el aparato ya que es pesado.

Instalación

- ▶ Es necesario colocar el aparato en un lugar suficientemente ventilado. Asegure un espacio de al menos 10 cm por encima y alrededor del aparato.
- ▶ **ADVERTENCIA:** Mantenga libres de obstrucciones las aberturas de ventilación, tanto las que están en el cierre de la unidad como las que están en la estructura incorporada.
- ▶ Nunca ponga el aparato en un lugar húmedo o en un lugar donde pueda salpicar el agua. Limpia y seca las salpicaduras de agua y las manchas utilizando un paño suave y limpio.
- ▶ No instale su bodega de vinos en ningún lugar que no esté debidamente aislado o calentado, p. ej. garaje, etc. Su bodega de vinos no fue diseñada para funcionar a temperatura ambiente por debajo de 10 °C.
- ▶ No instale el aparato en un lugar donde reciba luz solar de forma directa o cerca de una fuente de calor (por ej., estufas, calentadores).
- ▶ Coloque el aparato de forma nivelada en un lugar adecuado para su tamaño y uso.
- ▶ Asegúrese de que la información eléctrica de la placa de especificaciones coincida con el suministro de corriente.
- ▶ El aparato funciona con fuente de alimentación de 220-240 VCA/50 Hz. La fluctuación de tensión anormal podría causar que el electrodoméstico no funcione, o se dañe el control de temperatura o el compresor, o emita un ruido anormal durante el funcionamiento. En tal caso, se debe montar un regulador automático.
- ▶ No use adaptadores eléctricos múltiples ni cables prolongadores.

**¡ADVERTENCIA!**

- ▶ **ADVERTENCIA :** No instale varias tomas de corriente ni fuentes de alimentación portátiles en la parte trasera del aparato.
- ▶ **ADVERTENCIA :** Al colocar el aparato, asegúrese de que el cable de corriente no esté atrapado o dañado.
- ▶ No pise el cable de alimentación.
- ▶ Utilice un enchufe con toma a tierra separado fácil de acceder para conectar el aparato. El frigorífico debe tener una conexión a tierra.
- ▶ **Solo para el Reino Unido:** Este aparato cuenta con un enchufe de 3 hilos y toma a tierra, compatible con enchufes estándar de 3 hilos con toma a tierra. No corte ni desmonte nunca la tercera clavija (la de toma a tierra). Se debe poder acceder al enchufe sin problemas tras la instalación del aparato.
- ▶ **ADVERTENCIA :** No dañe el circuito refrigerante.

Uso diario

- ▶ Los niños a partir de los 8 años, las personas con discapacidades físicas, sensoriales o mentales, así como las personas que carecen de experiencia y conocimientos, podrán utilizar este aparato siempre y cuando se les vigile e instruya sobre su uso en condiciones de seguridad, y que comprendan los peligros que entraña su uso.
- ▶ Los niños no deben jugar con el aparato.
- ▶ Se podrá permitir que los niños de 3 a 8 años ayuden a cargar y descargar aparatos de refrigeración, pero no se les permitirá limpiarlos ni instalarlos.
- ▶ Mantenga a los niños menores de 3 años alejados del aparato a menos que se encuentren bajo supervisión permanente.
- ▶ La limpieza y mantenimiento por parte del usuario no deberá ser realizada por niños sin supervisión.
- ▶ Se deberá colocar el aparato de tal forma que se pueda acceder al enchufe sin problemas.
- ▶ En caso de fugas de gas carbón u otros gases inflamables cerca del aparato, cierre la válvula del gas, abra puertas y ventanas y no desenchufe el cable de corriente del aparato ni de ningún otro aparato .
- ▶ Espere al menos 7 minutos para volver a conectar la corriente después de que se desconectó la corriente.
- ▶ No levante el aparato con las manijas de las puertas.
- ▶ Las llaves deben mantenerse fuera del alcance de los niños y no cerca del aparato para evitar que los niños queden encerrados dentro del aparato.



ADVERTENCIA!!

- ▶ Tenga en cuenta que el aparato está diseñado para funcionar en un rango de temperatura ambiente específico de 10°C a 38°C. Si se lo deja durante mucho tiempo en un lugar con temperaturas superiores o inferiores al rango indicado, es posible que el aparato no funcione de forma adecuada.
- ▶ No coloque sobre el aparato ningún objeto inestable (cosas pesadas, recipientes llenos de agua, y similares) con el fin de evitar lesiones personales causadas por caídas o descargas eléctricas causadas por el contacto con el agua.
- ▶ Abra y cierre la puerta solo utilizando los mangos. El espacio entre la puerta y el gabinete es muy estrecho. A fin de evitar pellizcos en los dedos no ponga las manos en estas áreas. Las puertas del aparato se deben abrir o cerrar solo cuando no se presentan niños dentro del rango de movimiento de puerta.
- ▶ No guarde ni use materiales inflamables, explosivos o corrosivos en el aparato o en los alrededores.
- ▶ No guarde dentro del aparato ninguna sustancia explosiva, como aerosoles, que puedan contener propelentes inflamables.
- ▶ En el aparato no se debe almacenar medicamentos, bacterias o agentes químicos. Este aparato es un electrodoméstico. No se recomienda almacenar materiales que requieran temperaturas estrictas.
- ▶ No fije temperaturas innecesariamente bajas en el gabinete del botellero (bodega). Puede obtener temperaturas bajo cero con ajustes altos del control de temperatura. Atención: Las botellas pueden estallar.
- ▶ No toque la superficie interior del aparato cuando esté en funcionamiento, sobre todo con las manos mojadas, ya que éstas pueden congelarse en la superficie.
- ▶ Para una correcta refrigeración del vino, no sobrecargue el aparato.
- ▶ En caso de una interrupción eléctrica o antes de limpiar el aparato, desenchufe. Antes de reiniciar el aparato espere al menos 7 minutos porque arranque frecuente puede dañar el compresor.
- ▶ **ADVERTENCIA :** No utilice dispositivos eléctricos dentro del aparato, a menos que sean del tipo recomendado por el fabricante. Para evitar riesgos, comuníquese con el centro de atención al cliente para solicitar el cambio de un cable eléctrico dañado (consulte la tarjeta de la garantía).
- ▶ Para prolongar la vida útil del aparato, evite apagarlo.
- ▶ Nunca ponga el aparato horizontalmente en el suelo. Espere 24 horas antes de enchufarlo si el aparato se inclina más de 45°.



¡ADVERTENCIA!

Mantenimiento/Limpieza

- ▶ Asegúrese de que los niños estén supervisados si realizan tareas de limpieza o mantenimiento.
- ▶ Desconecte el aparato de la corriente antes de realizar cualquier tarea de mantenimiento de rutina. Antes de volver a poner en marcha el aparato, espere al menos 7 minutos, de lo contrario, los arranques frecuentes podrían producir averías en el compresor.
- ▶ Agarre el cable de alimentación por el conector, no del cable, cuando desenchufe el aparato.
- ▶ No limpie el aparato con cepillos duros, cepillos de alambre, detergente en polvo, gasolina, acetato de amilo, acetona y otras soluciones orgánicas similares, soluciones ácidas o alcalinas. Limpie el frigorífico con un detergente específico para evitar daños. Por último, utilice agua tibia y solución de bicarbonato de sodio, aproximadamente una cucharada de bicarbonato de sodio por litro/cuarto de agua. Enjuague a fondo con agua y seque. No utilice detergentes en polvo ni ningún otro producto de limpieza abrasivo. No lave las piezas extraíbles en el lavavajillas.
- ▶ **ADVERTENCIA:** No utilice ningún dispositivo mecánico, ni ningún otro aparato, para acelerar el proceso de descongelación, salvo los recomendados por el fabricante.
- ▶ En caso de que el cable de corriente esté dañado, deberá ser el fabricante, su agente de servicio o personas cualificadas similares las que lo cambien para evitar cualquier riesgo.
- ▶ No intente reparar, desensamblar o modificar el aparato usted mismo. Comuníquese con el centro de atención al cliente si necesita reparación.
- ▶ Si las bombillas de iluminación están estropeadas, el fabricante, su agente de servicio o personas autorizadas similares deberán cambiarlas para evitar riesgos.
- ▶ Elimine el polvo de la parte trasera de la unidad al menos una vez por año para evitar daños por incendio y un mayor consumo de energía.

- ▶ No moje con un espray o con líquidos de forma abundante el aparato durante la limpieza.
- ▶ No utilice un rociador de agua o vapor para limpiar el aparato.
- ▶ No limpie los estantes de vidrio fríos con agua caliente. Un cambio brusco de temperatura puede causar la ruptura del vidrio.
- ▶ Si deja el aparato fuera de uso durante un período prolongado, déjelo abierto para evitar que se formen malos olores en su interior.

Información sobre el gas refrigerante



¡ADVERTENCIA!

El aparato contiene el refrigerante inflamable ISOBUTANO (R600a). Asegúrese de que el circuito de refrigeración no haya sufrido daños durante el transporte o la instalación. Una pérdida de refrigerante puede ocasionar lesiones en la vista o inflamarse. Si ha ocurrido un daño, mantenga las fuentes de fuego lejos, ventilar bien la habitación, **no enchufe** ni desenchufe los cables de corriente del aparato o de cualquier otro aparato. Informe al servicio de atención al cliente.

Si el líquido refrigerante entra en contacto con sus ojos, enjuáguelos de inmediato con agua corriente y acuda urgentemente a un oftalmólogo.

ADVERTENCIA: El sistema de refrigeración se ve sometido a una presión elevada. No trate de manipularlo. Dado que se utilizan refrigerantes inflamables, se recomienda instalar, manipular y mantener el aparato estrictamente de acuerdo con las instrucciones y comunicarse con el representante profesional o el servicio postventa para desechar el aparato.

Uso previsto

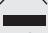
Este aparato está destinado al uso en hogares y entornos similares, como

- áreas de cocina para el personal en tiendas, oficinas y otros entornos de trabajo;
 - casas rurales y también para ser utilizada por los clientes en hoteles, moteles y otros entornos de tipo residencial;
 - entornos de alojamiento de estancia y desayuno;
 - catering y aplicaciones no comerciales similares.
- Para garantizar la conservación segura del vino, por favor, cumpla con estas instrucciones de uso.
- En otra sección de este manual podrá encontrarse información detallada sobre la zona más adecuada del aparato en la cual guardar determinados tipos de alimentos, teniendo en cuenta la distribución de la temperatura de los distintos compartimentos del aparato.

No puede realizar cambios o modificaciones al aparato. Cualquier otro uso del aparato puede producir lesiones e invalidar la garantía.

Desecho



El  símbolo que aparece en el aparato o en su embalaje indica que éste no se puede tratar como basura doméstica. Este producto se debe entregar en el punto de recolección para el reciclaje de aparatos eléctricos y electrónicos. Al asegurarse de desechar correctamente este aparato, ayudará a evitar las posibles consecuencias negativas para el medio ambiente y la salud humana, que de otro modo podrían ser causadas por la manipulación inadecuada de los residuos de este aparato. Para mayor información sobre el reciclaje de este aparato, diríjase a la oficina local de su ciudad, al servicio de recogida de basuras o a la tienda en la que adquirió el aparato.

Para el desecho del aparato, y dado que se emplean gases de aislamiento inflamables, es necesario dirigirse al representante profesional o a nuestro servicio postventa.

¡ADVERTENCIA!

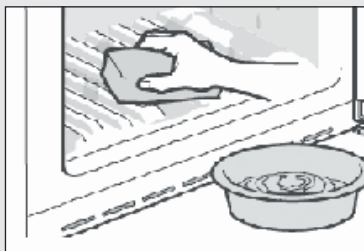
¡Riesgo de lesiones o asfixia!

Los refrigerantes y gases deben eliminarse profesionalmente. Asegúrese de que el tubo del circuito de refrigerante no esté dañado antes de desecharlo adecuadamente. Desconecte el aparato de la red eléctrica. Desconecte el cable de alimentación y deséchelo. Extraiga las bandejas y cajones, así como los cierres y sellos de las puertas, para evitar que los niños y mascotas queden encerrados en el aparato.

- ▶ **ADVERTENCIA :** Desconecte el aparato de la fuente de alimentación antes de limpiarlo.
- ▶ No limpie el aparato con cepillos duros, cepillos de alambre, detergente en polvo, gasolina, acetato de amilo, acetona ni

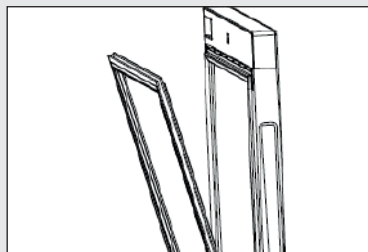
soluciones orgánicas similares, soluciones ácidas o alcalinas. Utilice un detergente especial para frigorífico a fin de evitar daños.

- ▶ Limpie el aparato cuando apenas quede vino o cuando no haya vino almacenado, sólo es necesario limpiarlo cuando esté sucio.
- ▶ Limpie el interior y la carcasa del aparato con una esponja humedecida en agua tibia y detergente neutro.
- ▶ Enjuague con agua tibia y limpia y seque con un paño suave.
- ▶ No limpie ninguna parte del aparato en un lavavajillas.
- ▶ Antes de volver a poner en marcha el aparato, espere al menos 7 minutos; de lo contrario, los arranques frecuentes podrían producir averías en el compresor.



Limpie la junta de la puerta:

- ▶ Las juntas de la puerta deben limpiarse cada 3 meses para garantizar un sellado adecuado. Según sigue: :Eliminar Sujete la junta de la puerta y tire de ella en el sentido de la flecha para retirar toda la junta de la puerta en orden. Sumerja el cepillo en agua o alcohol de grado alimenticio, limpie primero la ranura de la junta de la puerta tirando hacia adelante y hacia atrás del cepillo. Luego limpie la superficie de la junta de la puerta con un paño humedecido con agua o alcohol de grado alimenticio. Finalmente, lave la junta de la puerta y séquela con un paño limpio y seco.



Instalación de la puerta después de limpieza:

Asegúrese de que no haya agua en la junta de la puerta antes de la instalación. Inserte la junta de la puerta en la ranura, y presiónela con la mano desde arriba hacia abajo hasta que toda la junta de la puerta se inserte en la ranura.

Limpieza de los estantes:

- ▶ Todos los estantes se pueden sacar para limpieza.
- ▶ Saque todas las botellas.
- ▶ Levante un poco cada estante y sáquelo.
- ▶ Limpie el estante con un paño suave.
- ▶ Espere hasta que los estantes estén secos antes de volver a colocarlos.

ADVERTENCIA :

Espere al menos 7 minutos para volver a conectar la corriente después de que se desconectó la corriente.

Compruebe los accesorios y su documentación de acuerdo con esta lista:sin aislamiento.

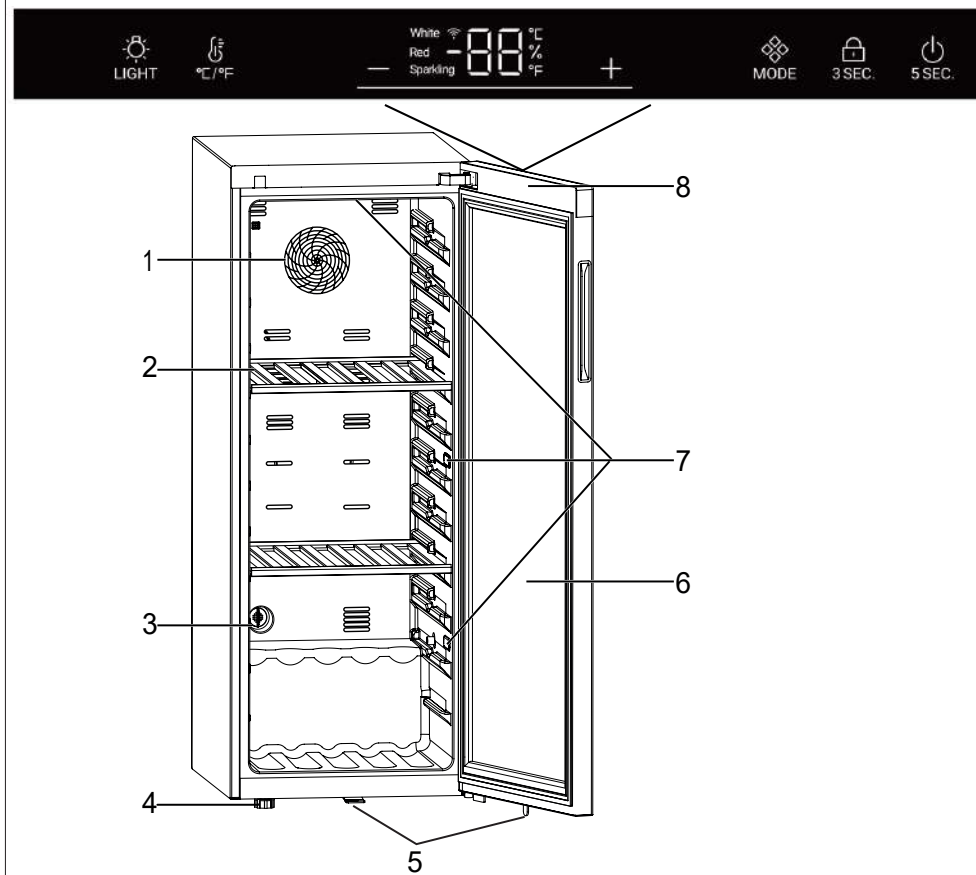
Nombre	Manual del Usuario	Tarjeta de Servicio	Estan- te	Estan- te pe- queño	Tapa Embisa- grada	Etiqueta Energé- tica	Tecla	Leva izquierda de puerta manual
HWS84GA	1	1	6	1	1	1	2	2
HWS84GNF	1	1	6	1	1	1	2	2
HWS49GA	1	1	4	1	1	1	2	2
HWS49GAE	1	1	4	/	/	1	/	/
HWS66GGE	1	1	5	/	/	1	2	/



Aviso

Debido a los cambios técnicos y diferentes modelos, algunas de las ilustraciones de este manual pueden diferir de su modelo.

Imagen del aparato



- | | |
|--|--------------------------------------|
| 1. Ventilador(excepto HWS49GAE,HWS66GGE) | 5. Bloqueo (excepto HWS49GAE) |
| 2. Estante | 6. Puerta |
| 3. Filtro de carbón activo | 7. Lámpara LED |
| 4. Patas ajustables | 8. Pantalla (en frente de la puerta) |

1. Desembalaje

- ▶ Saque el aparato del embalaje.
- ▶ Retire todos los materiales de embalaje, incluida la base de espuma y toda la cinta adhesiva que contiene los accesorios.

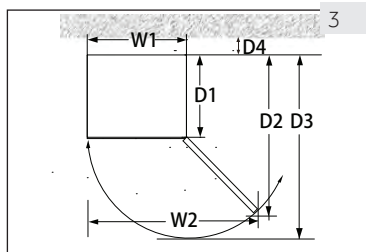
2. Condiciones ambientales

La temperatura ambiente siempre debe estar entre los 10 °C y los 38 °C, ya que puede afectar a la temperatura dentro del aparato y su consumo de energía. No instale el aparato cerca de otros aparatos emisores de calor (hornos, refrigeradores) sin aislamiento.

3. Requerimientos de espacio

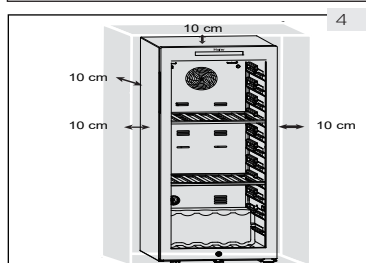
Espacio requerido para abrir la puerta (Imag. 3):

Ancho en mm		Profundidad en mm			Distancia a la pared en mm
W1	W2	D1	D2	D3	D4
495	630	535	1033	1047	100



4. Espacio de ventilación

Por razones de seguridad y energía, se debe observar la distancia de ventilación requerida de 10 cm en todas las direcciones (Fig. 4).



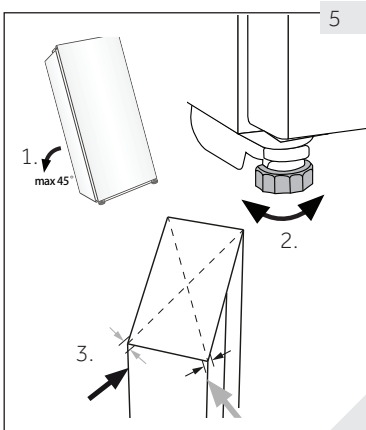
¡ADVERTENCIA!

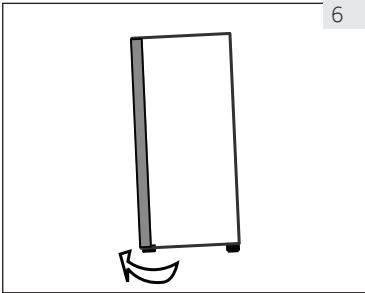
- ▶ Mantenga las aberturas de ventilación, en el aparato o en la estructura incorporada, sin obstáculos. Este aparato no está destinado a utilizarse como aparato encastrable.

5. Colocación del aparato

Coloque el aparato sobre una superficie plana y sólida.

1. Inclínelo levemente hacia atrás (Fig. 5).
2. Establezca los pies delanteros ajustables al nivel deseado girándolos.
3. Puede comprobar la estabilidad del aparato golpeando ligeramente las diagonales de forma alterna. El ligero balanceo debe ser el mismo en ambas direcciones. De lo contrario, se podría torcer la estructura y afectar el cierre hermético de las puertas. Una leve inclinación hacia atrás facilita el cierre de la puerta.





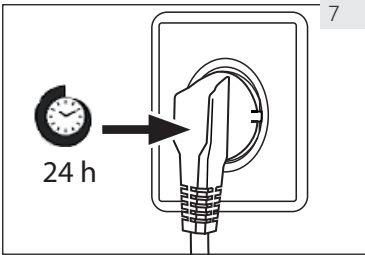
6

6. Puesta a punto de la puerta

El aparato se cierra más fácilmente si se usan los pies de nivelación en el frente:

Gire las patas ajustables (Imag. 6) para subir o bajarlas:

- ▶ Girando los pies en el sentido de las agujas del reloj aumenta el aparato.
- ▶ Girando los pies en sentido contrario al reloj baja el aparato.



7

7. Tiempo de espera

El aceite de lubricación libre de mantenimiento está ubicado en la cápsula del compresor. Este aceite puede pasar por el sistema de tubería cerrado durante el transporte si el dispositivo está inclinado. Antes de conectar el aparato a la fuente de alimentación, espere 24 horas (Fig. 7) para que el aceite regrese a la cápsula.

8. Conexión eléctrica

Antes de cada conexión, revise si:

- ▶ la fuente de corriente, la toma de enchufe y los fusibles son adecuados, según la placa de especificaciones.
- ▶ la toma de corriente está conectada a tierra y no tiene enchufes múltiples ni alargadores.
- ▶ el enchufe y la toma de corriente se ajustan correctamente.

Conecte el enchufe a un toma corriente doméstico instalado de forma correcta.



¡ADVERTENCIA!

Para evitar riesgos, comuníquese con el centro de atención al cliente para solicitar el cambio de un cable eléctrico dañado (consulte la tarjeta de la garantía).

9. Puerta reversible (excepto HWS49GAE,HWS66GGE)

Antes de conectar el aparato a la fuente de alimentación, verifique si la apertura de la puerta debe cambiarse de derecha (como se entrega) a izquierda, en caso de que la ubicación de instalación y la accesibilidad para el uso así lo requieran.

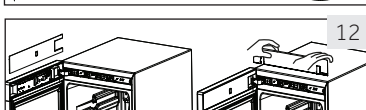
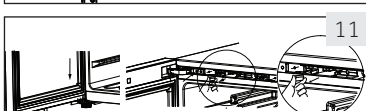
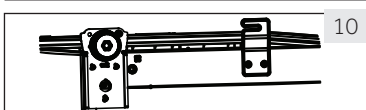
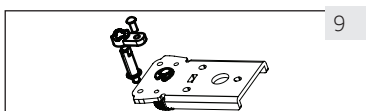
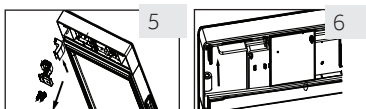
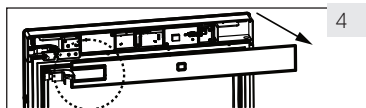
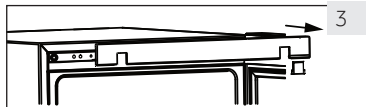


¡ADVERTENCIA!

- ▶ El aparato es pesado. Necesita realizar esta tarea con dos personas.
- ▶ Antes de cualquier operación, primero desconecte el aparato de la red eléctrica.
- ▶ No incline el frigorífico más de 45° para evitar dañar el sistema de refrigeración.

Pasos para el ensamblaje (excepto HWS49GAE,HWS66GGE)

1. Asegúrese de tener las herramientas adecuadas.
2. Desconecte el aparato.
3. Abra la puerta, baje la tira frontal y encuentre la tira correspondiente para quitar el lado izquierdo y colóquelo en el lado derecho del hueco.
4. Desenchufe el cable de conexión. Extraiga la parte superior del sello de la puerta y retire la tira posterior de la puerta (Retirar de la abertura lateral izquierda).
5. Retire los dos tornillos en la bisagra superior.
6. Retire la cubierta y la bisagra, retire la cubierta del eje, luego ensámblelo en el otro lado, e instale la bisagra en el eje.
7. Retire la leva y el soporte de la puerta, mueva el soporte de la puerta al otro lado de la puerta. Instale la nueva leva de la bolsa de accesorios.
8. Con el gabinete inclinado (menos de 45 °), retire la bisagra inferior (tres tornillos) de respaldo.
9. Retire la leva de la bisagra inferior y el eje de la bisagra. Instale el eje en el lado derecho de la bisagra inferior. Saque la leva de la bolsa de instrucciones e instálela en el eje de la bisagra inferior.
10. Instale la bisagra inferior y la pata inferior en el otro lado del gabinete. Lubrique la leva.
11. Instale la puerta en el eje de la bisagra inferior y fije la bisagra superior con dos tornillos en el gabinete. Fije los cables de señal en el centro de la ranura de la bisagra superior, tome la cubierta de la bisagra en la bolsa de instrucciones y apriétela en la bisagra superior.
12. Instale el sello de la puerta y la tira de la puerta en su lugar. Inserte el par de cables de señal de la puerta, mueva el interruptor magnético (12.1) a la ranura de montaje derecha (12.2) de la caja de la viga superior y apriete la moldura frontal del gabinete.
13. Asegúrese de que la puerta pueda abrirse y cerrarse correctamente.



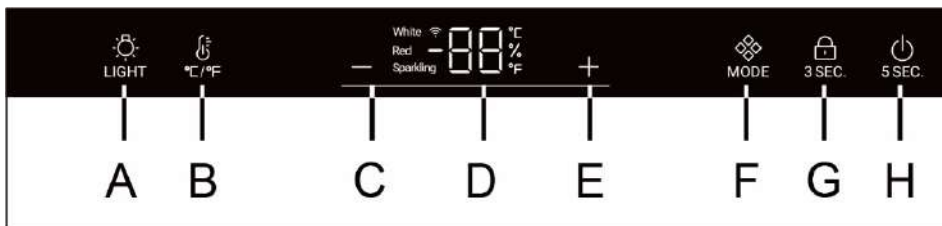
1. Antes del primer uso

- ▶ Retire todos los materiales de embalaje. Esto incluye la base de espuma y toda la cinta adhesiva que sujeta los accesorios de la bodega de vinos por dentro y por fuera. Manténgalos fuera del alcance de los niños y deséchelos de una manera respetuosa con el medio ambiente..
- ▶ Limpie la parte interior y exterior del aparato con agua y detergente suave antes de guardar los vinos.
- ▶ Una vez que el aparato esté nivelado y limpio, espere al menos 2 horas antes de conectarlo a la energía eléctrica. Si su bodega de vinos ha quedado inclinada por alguna razón, espere 24 horas antes de enchufarla. Consulte la sección de INSTALACIÓN.
- ▶ Una vez que haya enchufado la unidad a una toma de corriente, deje que la unidad funcione durante al menos 30 minutos para aclimatarse antes de realizar cualquier ajuste.
- ▶ La temperatura se ajusta automáticamente a 12 °C. Si lo desea, puede cambiar la temperatura manualmente. Vea TEMPERATURA.

2. Botones táctiles



Los botones en el panel de control son teclas táctiles, que responden cuando se tocan ligeramente con el dedo.

3. Descripción de panel de control



- | | |
|---|---|
| A Botón de iluminación interior | E Botón de ajuste de temperatura:arriba |
| B Botón para pasar entre °C /°F | F Botón de Modo |
| C Botón de ajuste de temperatura: abajo | G Botón de bloqueo |
| D Pantalla | H Botón de encendido |

4. Función de bloqueo automático

El panel de control se bloquea automáticamente después de presionar cualquier tecla después de 30 segundos de haber sido habilitado , esta es la luz. A fin de activar el bloqueo de teclas, pulse el botón  botón durante 3 segundos, cuando se bloquea, las luces LED retroiluminadas se atenuarán. El botón A no está bloqueado.

5. Función de botón de encendido

Mantenga pulsado el botón H durante 5 segundos: la bodega corta la energía. Luego mantenga pulsado el botón H durante 5 segundos: la bodega se enciende.

6. Ajuste de temperatura



Aviso

Ajustes previos

- ▶ Una vez que haya enchufado la unidad a una toma de corriente, deje que la unidad funcione durante al menos 30 minutos para aclimatarse antes de realizar cualquier ajuste.
- ▶ Al encender el aparato después de desconectarlo de la fuente de alimentación principal, alcanzar las temperaturas correctas podría llevar unas horas. El tiempo exacto depende del entorno y la configuración de temperatura.



Pulse el botón o , la pantalla iniciará a parpadear. Pulse el botón o a fin de configurar la temperatura deseada. El rango de ajuste de temperatura: 5-20 °C (41-68 °F). Para pulsar la tecla durante 3 segundos, la temperatura se confirma.

7. Función de modo

Presione el botón el interruptor de temperatura pasa de centello (8°C o 47°F) a blanco (12°C o 54°F) y rojo (16°C o 61°F).

Ajustes recomendados de temperatura

Se recomiendan las siguientes temperaturas de bebida para los diferentes tipos de vino.

Vino tinto	de +13°C a +20°C (de +55°F a +68°C)	Vino espumoso Prosecco	de +5°C a +8°C (de +41°F a +47°F)
Vino blanco	de +9°C a +12°C (de +48°F a +54°F)		

Si almacena vino por largos periodos de tiempo, debe almacenarse a una temperatura entre +10 °C y +12 °C (50°F y +54°F).

8. Modo de espera

La pantalla se atenúa automáticamente luego de 30 segundos.

Se ilumina automáticamente cuando se toca cualquier tecla o se abre la puerta.



Aviso Influencias en las temperaturas

La temperatura dentro del aparato está influenciada por los siguientes factores:

- ▶ Temperatura ambiente
- ▶ Cantidad de botellas almacenadas
- ▶ Frecuencia de apertura de la puerta
- ▶ Ubicación del aparato


Ajuste predeterminada es de 12°C

Cuando la pantalla deja de parpadear, vuelve a visualizar la temperatura actual dentro de bodega de vino. Alcanzar a la temperatura establecida tardará un poco.

9. Ajuste del modo de iluminación

Pulse el botón . Cuando las luces del gabinete están encendidas, estas se encenderán gradualmente. Al pulsar el botón  una vez más las luces se apagarán gradualmente.

10. Función para cambiar entre °C/°F

Pulsar el botón  , cambia entre Fahrenheit y Celsius.

11. Función de Memoria En Corte de Energía

De producirse un corte de energía, la bodega de vinos guardará automáticamente la temperatura establecida. Después de que la energía sea restablecida, entrará en funcionamiento de acuerdo a la temperatura establecida antes del corte de energía.

12. Función de compensación de baja temperatura (excepto HWS49GAE, HWS66GGE)

La bodega de vinos tiene una función de compensación de baja temperatura para garantizar la estabilidad de la temperatura: Cuando la temperatura ambiente sea inferior a la temperatura establecida, la bodega de vinos iniciará automáticamente la función de compensación de baja temperatura, calentando la aplicación. Cuando la temperatura en la aplicación alcance la temperatura establecida, la función de compensación de baja temperatura se apagará automáticamente.

13. Alarma de puerta abierta

En caso de que la puerta se mantenga abierta durante más de 1 minuto, el zumbador emitirá un pitido para dar una alarma hasta que la puerta se cierre o cualquier tecla en el panel de visualización se puede operar y luego el zumbador dejará de sonar.



Consejos de ahorro de energía

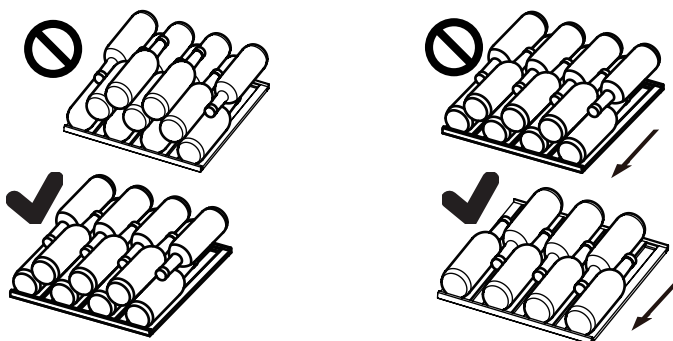
- ▶ Asegúrese de que el electrodoméstico esté bien ventilado (consulte la sección Instalación).
- ▶ No instale el electrodoméstico bajo la luz directa del sol o cerca de fuentes de calor (p.ej.: fogones, estufas...).
- ▶ Evite una temperatura innecesariamente baja en el electrodoméstico. El consumo de energía aumenta la temperatura del electrodoméstico.
- ▶ Abra la puerta del electrodoméstico lo menos y lo más brevemente posible.
- ▶ No supere la cantidad de botellas para la que está diseñado este electrodoméstico para evitar obstruir el flujo de aire.
- ▶ Mantenga las juntas de la puerta limpias para que la puerta se cierre siempre correctamente.
- ▶ La configuración que ahorra más energía requiere colocar cajones, fiambreras y estantes en el product como si estuvieran frescos de fábrica, y que los alimentos se coloquen sin bloquear la salida de aire del conducto

1. Estante


1. Los estantes están diseñados para un fácil almacenamiento y una fácil extracción de los vinos.
limpiar con una toalla suave.
2. Se pueden apilar botellas regulares con un diámetro de 76 mm.
3. Las botellas Magnum se pueden apilar en el estante inferior.
4. La cantidad del número o las botellas puede variar si se apilan de manera diferente.

Consejos para el diseño de su bodega.

Recomendamos no exceder el número de botellas de vino en dos capas de cada estante, la capacidad de carga de los estantes de vino no debe exceder los 20 kg. Antes de colocar las botellas dentro de la bodega de vino, confirme si los estantes son completamente estables. Al lado de esto, confirme si alguna botella sobresale de los estantes a fin de evitar que las botellas golpeen la puerta de vidrio al cerrarse.



2 La luz

La iluminación interior por LED se enciende cuando se abre la puerta. A fin de encender la luz cuando la puerta está cerrada toca el botón  LIGHT. A fin de apagar las luces toque nuevamente el botón. A fin de aumentar la eficiencia energética, las luces deben apagarse cuando la bodega de vino no se visualiza.

3 El bloqueo

Para cerrar la bodega, cierre la puerta y coloque la llave en la cerradura:

- ▶ Bloquee la puerta girando la llave en el sentido contrario a las agujas del reloj;
- ▶ Desbloquee la puerta girando la llave en el sentido de las agujas del reloj.

1. Descongelación

La descongelación de la bodega de vinos se realiza automáticamente, no se necesita ninguna operación manual.

2 Reemplazo de la lámpara de LED

La lámpara utiliza LED como fuente de luz, con bajo consumo de energía y larga vida útil. En caso de alguna anomalía, comuníquese con el servicio al cliente. Vea **SERVICIO AL CLIENTE**.



¡ADVERTENCIA!

No reemplace la lámpara de LED usted mismo. Solo debe ser reemplazado por el fabricante o por el agente de servicio autorizado.

Parámetros de la lámpara LED:

Tensión 12V; Potencia máx. :8W (para HWS84GAy HWS49GNF,HWS66GGE)

Voltaje 12 V; Potencia máxima:5 W (para HWS49GAE y HWS49GA)

3. Falta de uso durante un periodo prolongado

Desconecte el cable de corriente.

Limpie el aparato y las juntas de las puertas como se describe arriba.

Mantenga la puerta abierta para evitar la creación de malos olores dentro.

4. Movimiento del aparato

1. Retire todas las botellas y desenchufe el aparato.
2. Asegure los estantes y otras partes móviles en la bodega de vinos con cinta adhesiva.
3. No incline la bodega de vinos más de 45° para evitar dañar el sistema de refrigeración.

5. Intercambio de aire con filtro de carbón activado.

La forma en que los vinos continúan madurando depende de las condiciones ambientales. Por lo tanto, la calidad del aire es decisiva para preservar el vino. Se ha instalado un filtro de carbón activado en el área inferior de la pared posterior del aparato para mantener un rendimiento óptimo.



Aviso

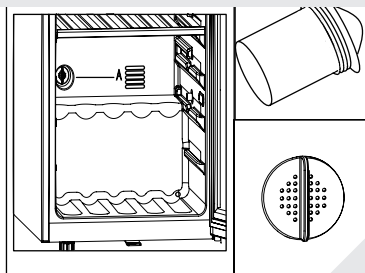
Recomendamos reemplazar el filtro una vez al año.
Los filtros se pueden obtener de su distribuidor.

Cambiar el filtro:

Tome el filtro por el mango. Gírelo hacia la izquierda y retírelo.

Introduzca el filtro.

Introduzca con el mango en posición vertical. Gírelo hacia la derecha e introduzca.



Puede solucionar muchos problemas usted mismo sin necesidad de conocimientos específicos. En caso de problemas, verifique todas las posibilidades que se muestran y siga las instrucciones a continuación antes de contactar a un proveedor de servicios posventa. Ver sección ATENCIÓN AL CLIENTE.

¡ADVERTENCIA!

- ▶ Antes de realizar cualquier tarea de mantenimiento, apague el aparato y desconecte el cable de corriente.
- ▶ El servicio técnico solo debe estar a cargo de electricistas calificados, ya que una reparación inadecuada puede causar daños importantes.
- ▶ Recorra solo al fabricante, su servicio técnico o similares personas capacitadas, para reemplazar un componente dañado y evitar así cualquier peligro.

Código de error	Causa	Solución
rH	La temperatura es demasiado alta.	Póngase en contacto con nuestro servicio posventa.
rL	La temperatura es demasiado baja.	Verifique la temperatura ambiente debe estar entre 10 ° C y 38 ° C.

Problema	Causa posible	Solución posible
El compresor no funciona.	<ul style="list-style-type: none"> El enchufe de alimentación no está conectado a la toma de corriente. 	<ul style="list-style-type: none"> Conecte el aparato a la fuente de alimentación.
El aparato funciona con demasiada frecuencia o durante periodos demasiado prolongados.	<ul style="list-style-type: none"> La temperatura exterior es demasiado elevada. El aparato ha estado desconectado de la fuente de alimentación durante un periodo de tiempo. Una puerta o cajón del aparato no está bien cerrada. Se abrió la puerta o cajón con demasiada frecuencia o durante demasiado tiempo. Las juntas de las puertas están sucias, gastadas, agrietadas o mal emparejadas. No se garantiza la circulación de aire requerida. La temperatura está ajustada demasiado baja. 	<ul style="list-style-type: none"> En este caso, el aparato suele funcionar durante periodos más prolongados. Normalmente, el aparato tarda un tiempo en enfriarse por completo. Cierre la puerta o el cajón y asegúrese de que el aparato esté ubicado en una superficie nivelada y que no haya ningún alimento o envase que haga vibrar la puerta. No abra las puertas con demasiada frecuencia. Limpie la junta de la puerta o comuníquese con el centro de atención al cliente para pedir su cambio. Asegúrese que haya una ventilación adecuada. El problema se resolverá cuando se alcance la temperatura deseada.
El interior de la bodega de vino está sucio y/o huele mal.	<ul style="list-style-type: none"> El interior de la bodega de vinos necesita limpieza. 	<ul style="list-style-type: none"> Limpie el interior de la bodega de vinos.
No hay una temperatura lo suficientemente baja dentro del aparato.	<ul style="list-style-type: none"> La temperatura está ajustada demasiado alta. Se han agregado botellas recientemente. Una puerta o cajón del aparato no está bien cerrada. Se abrió la puerta o cajón con demasiada frecuencia o durante demasiado tiempo. Las juntas de las puertas están sucias, gastadas, agrietadas o mal emparejadas. 	<ul style="list-style-type: none"> Vuelva a ajustar la temperatura. Permita tiempo para que las botellas recientemente agregadas alcancen la temperatura deseada. Cierre la puerta. No abra las puertas con demasiada frecuencia. Limpie la junta de la puerta o comuníquese con el centro de atención al cliente para pedir su cambio.
Hay una temperatura demasiado baja dentro del aparato.	<ul style="list-style-type: none"> La temperatura está ajustada demasiado baja. 	<ul style="list-style-type: none"> Vuelva a ajustar la temperatura.
Formación de humedad en el interior del compartimiento del frigorífico.	<ul style="list-style-type: none"> El clima es demasiado cálido y húmedo. Una puerta o cajón del aparato no está bien cerrada. Se abrió la puerta o cajón con demasiada frecuencia o durante demasiado tiempo. 	<ul style="list-style-type: none"> Aumente la temperatura. Cierre la puerta. No abra la puerta o el cajón con demasiada frecuencia.

Problema	Causa posible	Solución posible
La humedad se acumula en la superficie exterior de la bodega de vinos.	<ul style="list-style-type: none"> El clima es demasiado cálido y húmedo. La puerta no se cerró firmemente. Se condensan el aire frío dentro del aparato y el aire cálido del exterior. 	<ul style="list-style-type: none"> Esto es normal en climas húmedos y se modificará cuando baje la humedad. Asegúrese de que la puerta esté bien cerrada y de que las juntas se cierren correctamente.
El aparato produce sonidos anormales.	<ul style="list-style-type: none"> El aparato no está ubicado sobre una superficie nivelada. El aparato está tocando algún objeto que se encuentra a su alrededor. 	<ul style="list-style-type: none"> Ajuste las patas para nivelar el aparato. Retire los objetos ubicados alrededor del aparato.
Debe escuchar un leve sonido similar al del agua en movimiento.	<ul style="list-style-type: none"> Esto es normal 	<ul style="list-style-type: none"> -
La luz interior o el sistema de refrigeración no funcionan.	<ul style="list-style-type: none"> El enchufe no está conectado a la fuente de alimentación. La fuente de corriente no está intacta. La lámpara LED no funciona. 	<ul style="list-style-type: none"> Conecte el aparato a la fuente de alimentación. Controle el suministro eléctrico a la habitación. Llame a la compañía eléctrica local. Comuníquese con el servicio técnico por reemplazo.
Los lados del refrigerador y la regleta de la puerta se calientan.	<ul style="list-style-type: none"> Esto es normal. 	<ul style="list-style-type: none"> -
La puerta no se cierra correctamente	<ul style="list-style-type: none"> El dispositivo no está nivelado. La puerta está bloqueada. 	<ul style="list-style-type: none"> Nivele el aparato con los pies niveladores. Revise si hay bloqueos como botellas o estanterías.

Per contattare l'assistenza tecnica, visitare il nostro sito Web:

<https://corporate.haier-europe.com/en/> . Nella sezione "websites", scegli la marca del tuo prodotto e il tuo paese. Verrai reindirizzato al sito specifico dove potrai trovare il numero di telefono e il modulo per contattare l'assistenza tecnica

Ficha del producto conforme al Reglamento EU Nro. 2019/2016

Marca	Haier	Haier	Haier
Nombre de modelo / identificador	HWS49GA /HWS49GAE	HWS84GNF	HWS84GA /HWS66GGE
Categoría	Bodega de vinos	Bodega de vinos	Bodega de vinos
Categoría de refrigeración doméstica	I	I	I
Clasificación energética	F	F	G
Consumo anual de energía (kWh/año) ¹⁾	104	110	149/153
Capacidad de almacenamiento (Litros)	116/118	198	198
Clase climática: Este aparato ha sido diseñado para el uso en una temperatura ambiente entre 10 °C y 38 °C.	SN N ST	SN N ST	SN N ST
Emisiones de ruido aéreo (db(A) re 1pW)	C(37)	C(37)	C(37)
Tipo de dispositivo	Soporte independiente	Soporte independiente	Soporte independiente
Este aparato está destinado a ser utilizado para almacenamiento de bodega de vino.	Sí	Sí	Sí
Dimensiones (Altura, Ancho y Profundidad en mm)	585/497/820	585/497/1270	585/497/1270

Explicaciones:

1) Basado en los resultados de la prueba estándar de 24 horas. El consumo de energía real depende del entorno real, la cantidad de botellas, la temperatura establecida, la apertura y cierre de la puerta, etc.

2) El consumo energético nominal es el valor obtenido de acuerdo con el ensayo estándar cuando el compartimento del vino no enciende la luz interna.

- templada extendida: «Aparato de refrigeración destinado a utilizarse a temperaturas ambiente de entre 10 °C y 32 °C»;
- templada: «Aparato de refrigeración destinado a utilizarse a temperaturas ambiente de entre 16 °C y 32 °C»;
- subtropical: «Aparato de refrigeración destinado a utilizarse a temperaturas ambiente de entre 16 °C y 38 °C»;
- tropical: «Aparato de refrigeración destinado a utilizarse a temperaturas ambiente de entre 16 °C y 43 °C».

Normas y directivas

Este producto cumple todos los requerimientos de las directivas de la EU aplicables con las normas armonizadas correspondientes, y ostenta la marca CE.

Recomendamos recurrir al centro de atención al cliente de Haier y utilizar repuestos originales. Si tiene un problema con su aparato, consulte primero la sección SOLUCIÓN DE PROBLEMAS.

Si no puede encontrar una solución en esta sección, contacte con

- su distribuidor local o
- el área de Servicio y Soporte en www.haier.com, donde puede encontrar números de teléfono y Preguntas frecuentes y donde puede activar la solicitud de servicios.

Antes de contactar a nuestro servicio técnico, asegúrese de tener los siguientes datos disponibles.

Puede encontrar la información en la tabla de especificaciones.

Modelo _____ Núm. de Serie, _____

Asimismo, compruebe la tarjeta de la garantía suministrada con el producto si éste aún está en garantía.

Para consultas comerciales generales, busque nuestras direcciones en Europa a continuación:

Direcciones de Haier en Europa			
País*	Dirección postal	País	Dirección postal
Italia	Haier Europe Trading SRL Via De Cristoforis, 12 21100 Verese ITALIA	Francia	Haier France SAS 3-5 rue des Graviers 92200 Neuilly sur Seine FRANCIA
España Portugal	Haier Iberia SL Pg. Garcia Faria, 49-51 08019 Barcelona ESPAÑA	Bélgica-FR Bélgica-NL Países Bajos Luxemburgo	Haier Benelux SA Anderlecht Route de Lennik 451 BÉLGICA
Alemania Austria	Haier Deutschland GmbH Hewlett-Packard-Str. 4 D-61352 Bad Homburg ALEMANIA	Polonia República Checa Hungría Grecia Rumanía Rusia	Haier Poland Sp. zo.o. Al. Jerozolimskie 181B 02-222 Varsovia POLONIA
Reino Unido	Haier Appliances UK Co. Ltd. One Crown Square Church Street East Woking, Surrey, GU21 6HR UK		

DISPONIBILIDAD DE REPUESTOS

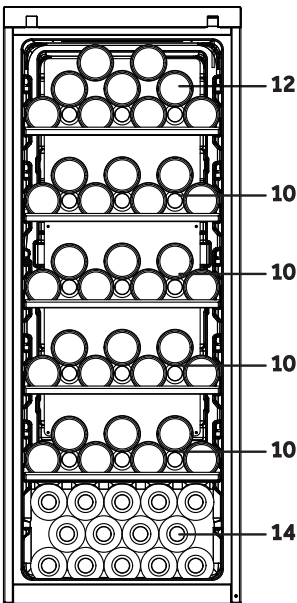
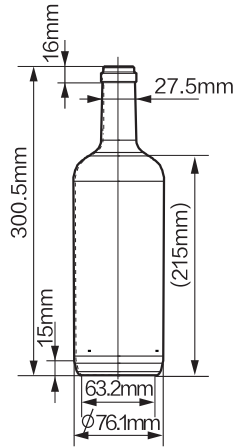
Termostatos, sensores de temperatura, placas de circuitos impresos y fuentes luminosas, durante un período de, como mínimo, siete años tras la introducción en el mercado de la última unidad del modelo.

Mangos de puerta, bisagras, bandejas y cestos, durante un período de, como mínimo, siete años, y juntas de puerta durante un período de, como mínimo, diez años tras la introducción en el mercado de la última unidad del modelo;

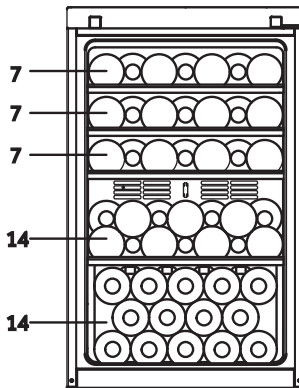
GARANTÍA

La garantía mínima es: 2 años para los países de la UE, 3 años para Turquía, 1 año para el Reino Unido, 1 año para Rusia, 3 años para Suecia, 2 años para Serbia, 5 años para Noruega, 1 año para Marruecos y 6 meses para Argelia. En Túnez no se requiere garantía legal.

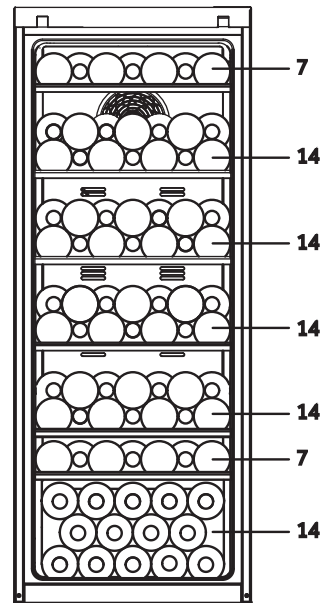
Para más información sobre el producto, consulte <https://eprel.ec.europa.eu/> o escanee el QR en la etiqueta energética suministrada con el aparato.



(66)
HWS66GGE



(49)
HWS49GA
HWS49GAE



(84)
HWS84GA
HWS84GNF

HWS-84GA-49GA-49GAE-84GNF-66GGE-ES

Haier



Podręcznik użytkownika

Chłodziarka do win

HWS84GA

HWS84GNF

HWS49GA

HWS49GAE

HWS66GGE

PL

Haier

Dziękujemy za zakup produktu Haier.

Przed użyciem urządzenia prosimy o dokładne zapoznanie się z instrukcją. Instrukcja zawiera ważne informacje, które pomogą Ci uzyskać jak najlepszą pracę urządzenia i zapewnić bezpieczną i prawidłową instalację, użytkowanie i konserwację.

Instrukcję należy przechowywać w dogodnym miejscu, aby zawsze można było znaleźć w niej informacje dotyczące bezpiecznego i prawidłowego korzystania z urządzenia.

W przypadku sprzedaży, przekazania lub pozostawienia urządzenia z powodu przeprowadzki należy przekazać również tę instrukcję, aby nowy właściciel mógł zapoznać się z urządzeniem i ostrzeżeniami dotyczącymi bezpieczeństwa.



Legenda

Ostrzeżenie - Ważne informacje dotyczące bezpieczeństwa



Ogólne informacje i porady



Informacje o środowisku

Utylizacja



Pomóż chronić środowisko naturalne i zdrowie ludzkie. Wyrzuć opakowanie do stosownych pojemników do recyklingu. Pomóż recyklingować odpady z urządzeń elektrycznych i elektronicznych. Nie wyrzucaj urządzeń oznaczonych tym symbolem razem z odpadami domowymi. Oddaj produkt do miejscowego zakładu recyklingu lub skontaktuj się z urzędem miasta.



OSTRZEŻENIE!

Ryzyko obrażeń lub uduszenia!

Czynniki chłodnicze i gazy muszą być usuwane profesjonalnie. Przed utylizacją upewnij się, że przewody układu chłodniczego nie są uszkodzone. Wyciągnij wtyczkę z kontaktu. Odetnij przewód zasilania i wyrzuć go. Usuń tace i szuflady oraz zamek drzwi i uszczelki, aby zapobiec zamknięciu się dzieci i zwierząt w urządzeniu.

Stare urządzenie nadal posiadają pewną wartość. Przyjazna dla środowiska metoda ich utylizacji pozwoli na odzyskanie cennych surowców i ponowne ich użycie.

Cyklopentan, substancja łatwopalna nieszkodliwa dla ozonu, jest stosowany jako ekspander do pianki izolacyjnej.

Upewniając się, że produkt ten zostanie właściwie zutylizowany, pomożesz zapobiec potencjalnym negatywnym konsekwencjom dla środowiska i ludzkiego zdrowia, które w innym przypadku mogłyby wystąpić.

Aby otrzymać więcej szczegółowych informacji o recyklingu tego produktu proszę skontaktować się z lokalnym urzędem, pobliskim punktem skupu lub sklepem gdzie zakupiono to urządzenie.

Informacje dotyczące bezpieczeństwa	4
Konserwacja	11
Akcesoria	13
Opis produktu	14
Instalacja	15
Użytkowanie	18
Porady dotyczące	21
oszczędzania energii	21
Wyposażenie	22
Konserwacja i czyszczenie	23
Rozwiązywanie problemów	24
Obsługa klienta	28
Układanie butelek wina	29

To urządzenie jest przeznaczone wyłącznie do przechowywania wina. Przed pierwszym włączeniem urządzenia należy przeczytać następujące wskazówki bezpieczeństwa:



OSTRZEŻENIE!

Przed pierwszym użyciem

- ▶ Upewnij się, że urządzenie nie zostało uszkodzone podczas transportu.
- ▶ Usuń całe opakowanie, trzymaj je poza dostępem dzieci i usuń je w sposób przyjazny dla środowiska.
- ▶ Odczekaj co najmniej dwie godziny przed zainstalowaniem urządzenia, aby upewnić się, że obieg chłodniczy jest w pełni efektywny.
- ▶ Zawsze przenoś urządzenie z pomocą co najmniej dwóch osób, ponieważ jest ciężkie.

Instalacja

- ▶ Urządzenie należy ustawić w dobrze wentylowanym miejscu. Zapewnij wolną przestrzeń co najmniej 10cm powyżej i wokół urządzenia.
- ▶ **OSTRZEŻENIE:** Nie blokuj otworów wentylacyjnych urządzenia ani w zabudowie.
- ▶ Nigdy nie umieszczaj urządzenia w wilgotnym miejscu lub miejscu, w którym mogłoby zostać spryskane wodą. Do czyszczenia i wycierania rozpryskanej wody użyj miękkiej, czystej szmatki.
- ▶ Nie ustawiaj swojej chłodziarki do win w miejscu, które nie jest odpowiednio izolowane lub ogrzewane, np.: w garażu, itp. Twoja chłodziarka do win nie została zaprojektowana do pracy w temperaturze otoczenia poniżej 10°C.
- ▶ Nie instaluj urządzenia w miejscu narażonym na bezpośrednie działanie promieni słonecznych lub w pobliżu źródeł ciepła (np.: pieców, grzejników).
- ▶ Zainstaluj i wypoziomuj urządzenie w miejscu odpowiednim dla jego wielkości i przeznaczenia.
- ▶ Upewnij się, że informacje elektryczne na tabliczce znamionowej są zgodne z zasilaniem. Jeśli nie, skontaktuj się z elektrykiem.
- ▶ Urządzenie jest zasilane napięciem 220–240 VAC/50 Hz. Nieprawidłowe wahania napięcia mogą spowodować, że urządzenie nie uruchomi się, uszkodzi kontrolkę temperatury lub sprężarkę lub może wystąpić nietypowy hałas podczas pracy. W takim przypadku należy zamontować automatyczny regulator.
- ▶ Nie używaj adapterów wtyczek i przedłużaczy.



OSTRZEŻENIE!

- ▶ **OSTRZEŻENIE:** Nie umieszczaj wielu gniazdek przenośnych ani przenośnych zasilaczy z tyłu urządzenia.
- ▶ **OSTRZEŻENIE:** Podczas ustawiania urządzenia upewnij się, że przewód zasilania nie jest przygnieciony lub uszkodzony.
- ▶ Nie stawaj na przewodzie zasilającym.
- ▶ Używaj oddzielnego, łatwo dostępnego i uziemionego gniazdka. Urządzenie musi być uziemione.
- ▶ **Tylko dla Wielkiej Brytanii:** Kabel zasilający urządzenia jest wyposażony we wtyczki z 3 bolcami (z uziemieniem), która pasuje do standardowego gniazda z 3 przewodami (z uziemieniem). Nigdy nie odcinaj albo wyjmuj trzeciego bolca (uziemiającego). Po zainstalowaniu urządzenia, wtyczka powinna być dostępna.
- ▶ **OSTRZEŻENIE:** Nie uszkodź obiegu chłodzącego.

Codzienne używanie

- ▶ Urządzenie to może być używane przez dzieci w wieku od lat 8 i starsze, osoby z obniżoną sprawnością fizyczną, zmysłową lub umysłową, niemające doświadczenia i wiedzy, o ile są one nadzorowane lub poinstruowano je, jak korzystać z tego urządzenia w bezpieczny sposób i zdają sobie sprawę z możliwych niebezpieczeństw.
- ▶ Dzieci nie powinny bawić się tym urządzeniem.
- ▶ Dzieci w wieku od 3 do 8 lat mogą ładować i rozładowywać urządzenia chłodnicze, ale nie wolno im czyścić ani instalować urządzeń chłodniczych.
- ▶ Trzymaj z dala od urządzenia dzieci poniżej 3 roku życia, chyba że są pod stałym nadzorem.
- ▶ Czyszczenie i konserwacjami mogą być wykonywane przez dzieci bez nadzoru.
- ▶ Urządzenie musi być ustawione tak, aby wtyczka była łatwo dostępna.
- ▶ Jeśli gaz węglowy lub inny łatwopalny gaz wycieka w pobliżu urządzenia zamknij zawór wyciekającego gazu, otwórz drzwi i okna i nie odłączaj kabla zasilania urządzenia.
- ▶ Oczekaj co najmniej 7 minut, aby ponownie podłączyć zasilanie po jego odłączeniu.
- ▶ Nie podnoś urządzenia za klamki.
- ▶ Klucze należy trzymać w miejscu niedostępnym dla dzieci, a nie w pobliżu urządzenia, aby uniemożliwić dzieciom zamknięcie się w nim.



OSTRZEŻENIE!

- ▶ Zauważ, że urządzenie jest ustawione do działania w określonym zakresie temperatur pomiędzy 10 i 38°C. Urządzenie może nie działać prawidłowo, jeśli jest używane przez dłuższy okres czasu w temperaturze powyżej lub poniżej podanego zakresu.
- ▶ Nie umieszczaj artykułów niestabilnych (ciężkich przedmiotów, pojemników z wodą) na górnej części urządzenia, aby uniknąć obrażeń spowodowanych upadkiem lub porażenia prądem spowodowanego przez kontakt z wodą.
- ▶ Drzwi należy otwierać i zamykać tylko za pomocą uchwytów. Szczelina między drzwiami a szafką jest bardzo wąska. Nie należy wkładać rąk w te miejsca, aby uniknąć zakleszczenia palców. Drzwi urządzenia należy otwierać lub zamykać tylko wtedy, gdy w ich pobliżu nie ma dzieci.
- ▶ Nie przechowuj ani nie używaj materiałów łatwopalnych, wybuchowych lub żrących w urządzeniu lub w jego sąsiedztwie.
- ▶ Nie przechowuj w tym urządzeniu materiałów wybuchowych, takich jak puszki z aerozolem, który zawiera łatwopalnego propelent.
- ▶ Nie przechowuj w urządzeniu leków, bakterii ani środków chemicznych. To urządzenie jest urządzeniem gospodarstwa domowego. Nie zaleca się przechowywania materiałów wymagających ściślej temperatury.
- ▶ Nie ustawiaj niepotrzebnie niskiej temperatury w chłodzarnie do wina. Ujemne temperatury mogą wystąpić przy wysokich ustawieniach. Uwaga: Butelki mogą pęknąć
- ▶ Nie dotykaj wewnętrznej powierzchni komory urządzenia podczas pracy, zwłaszcza mokrymi rękami, jako że mogą one przymarznąć do jej powierzchni.
- ▶ W celu właściwego chłodzenia wina nie należy przeladowywać urządzenia.
- ▶ W przypadku przerwy w zasilaniu lub przed czyszczeniem należy odłączyć urządzenie od zasilania. Odczekaj co najmniej 7 minut przed ponownym uruchomieniem urządzenia, ponieważ częste uruchamianie może uszkodzić sprężarkę.
- ▶ **OSTRZEŻENIE:** Nie używaj urządzeń elektrycznych wewnątrz urządzenia, chyba, że są rekomendowane przez producenta. Aby uniknąć ryzyka, uszkodzony przewód zasilający musi być wymieniony przez serwis (patrz: karta gwarancyjna).
- ▶ W celu przedłużenia żywotności urządzenia należy unikać jej wyłączenia.
- ▶ Nigdy nie stawiaj urządzenia poziomo na ziemi. Po przechyleniu urządzenia o więcej niż 45° odczekaj 24 godziny przed podłączeniem go do sieci.



OSTRZEŻENIE!

Konserwacja/utrzymywanie w czystości

- ▶ Upewnij się, że dzieci są nadzorowane podczas czyszczenia i konserwacji urządzenia.
- ▶ Przed podjęciem jakichkolwiek rutynowych prac konserwacyjnych odłącz urządzenie od zasilania elektrycznego. Pozostaw co najmniej 7 minut przed ponownym uruchomieniem urządzenia, jako że szybkie włączenie może doprowadzić do uszkodzenia sprężarki.
- ▶ Podczas odłączania urządzenia trzymaj za wtyczkę, a nie za przewód.
- ▶ Nie czyść urządzenia za pomocą twardych szczotek, szczotek drucianych, detergentów proszkowych, benzyny, octanu amylu, acetonu i podobnych roztworów organicznych, kwasu lub roztworów alkalicznych. Proszę czyścić specjalnym detergentem do lodówek/zamrażarek, aby uniknąć uszkodzenia. W końcu użyj ciepłej wody i roztworu sody oczyszczonej - około łyżki sody oczyszczonej na litr/kwartę wody. Przepłucz dokładnie wodą i wytrzyj do sucha. Nie używaj proszków czyszczących ani innych ściernych środków czyszczących. Nie myj wyjmowanych części w zmywarce.
- ▶ **OSTRZEŻENIE:** Nie używaj urządzeń mechanicznych, ani innych środków do przyspieszenia procesu rozmrażania, poza tymi, które zaleca producent.
- ▶ Jeśli kabel zasilania jest uszkodzony, musi on zostać wymieniony przez producenta, serwisanta lub inną wykwalifikowaną osobę w celu uniknięcia niebezpieczeństwa.
- ▶ Nie próbuj naprawiać, rozbierać lub modyfikować urządzenia samodzielnie. W przypadku naprawy, prosimy o kontakt z działem obsługi klienta.
- ▶ Jeśli lampki podświetlające są uszkodzone, muszą zostać wymienione przez producenta, serwisanta lub inną wykwalifikowaną osobę w celu uniknięcia niebezpieczeństwa.
- ▶ Usuń kurz z tyłu urządzenia co najmniej raz w roku, aby uniknąć zagrożenia ogniem, a także zwiększonego zużycia energii.

- ▶ Nie używaj aerozolu ani nie przepłukuj urządzenia podczas czyszczenia.
- ▶ Nie stosuj wody lub pary do czyszczenia urządzenia.
- ▶ Nie czyść zimnych, szklanych drzwi używając gorącej wody. Nagła zmiana temperatury może spowodować pęknięcie szkła.
- ▶ Jeśli urządzenie nie będzie używane przez dłuższy czas, pozostaw je otwarte, aby zapobiec powstawaniu nieprzyjemnych zapachów.

Informacje o gazie chłodzącym



OSTRZEŻENIE!

Urządzenie zawiera łatwopalny czynnik chłodniczy IZOBUTAN (R600a). Upewnij się, że układ chłodniczy nie został uszkodzony podczas transportu lub instalacji. Wyciek czynnika może spowodować uszkodzenie wzroku lub zapalenie. Jeśli wystąpiło uszkodzenie, trzymaj urządzenie z dala od otwartych źródeł ognia, dokładnie przewietrz pomieszczenie, **nie** podłączaj lub odłączaj kabli zasilających tego lub innego urządzenia. Poinformuj obsługę klienta.

W przypadku, gdy czynniki chłodnicze wejdzie w kontakt z oczami, natychmiast przepłucz je pod bieżącą wodą i zadzwoń do lekarza okulisty.

OSTRZEŻENIE: System chłodzący jest pod wysokim ciśnieniem. Nie manipuluj przy nim. Ponieważ używane są łatwopalne czynniki chłodnicze, należy zainstalować, obsługiwać i serwisować urządzenie ściśle według instrukcji i skontaktować się z profesjonalnym agentem lub naszym serwisem posprzedażnym w celu utylizacji urządzenia.

Przeznaczenie


Urządzenie to jest przeznaczone do użytku domowego lub w podobnych miejscach, np.

- kuchnie personelu sklepu, biura i inne środowiska pracy;
 - gospodarstwa rolne, przez klientów hoteli, moteli i innych miejsc typu mieszkalnego;
 - pensjonaty;
 - catering i podobne aplikacje niehandlowe.
- Aby zapewnić bezpieczne przechowywanie wina, należy stosować się do tej instrukcji.
- Szczegóły dotyczące najbardziej odpowiedniej części komory w urządzeniu, w której należy przechowywać określone rodzaje żywności, z uwzględnieniem rozkładu temperatury, która może występować w różnych komorach urządzenia, znajdują się w drugiej części instrukcji.

Zmiany i modyfikacje urządzenia nie są dozwolone. Używanie niezgodne z przeznaczeniem może spowodować zagrożenia i utratę praw gwarancyjnych.

Utylizacja



Symbol  umieszczony na urządzeniu lub jego opakowaniu informuje, że to nie może być traktowane tak, jak zwykłe odpady z gospodarstwa domowego. Zamiast tego powinno ono zostać przekazane do odpowiedniego punktu skupu specjalizującego się w recyklingu sprzętu elektrycznego i elektronicznego. Upewniając się, że produkt ten zostanie właściwie zutylizowany, pomożesz zapobiec potencjalnym negatywnym konsekwencjom dla środowiska i ludzkiego zdrowia, które w innym przypadku zostałyby spowodowane niewłaściwym obchodzeniem się z tym produktem. Aby uzyskać więcej szczegółowych informacji o recyklingu tego produktu proszę skontaktować się z lokalnym urzędem miejskim, pobliskim punktem skupu lub sklepem gdzie zakupili Państwo ten produkt.

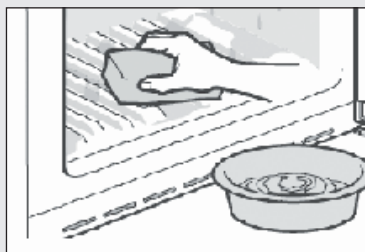
Ponieważ stosowane są łatwopalne gazy izolacyjne, należy skontaktować się z profesjonalnym agentem lub naszym serwisem posprzedażnym w celu utylizacji urządzenia.

OSTRZEŻENIE!

Ryzyko obrażeń lub uduszenia!

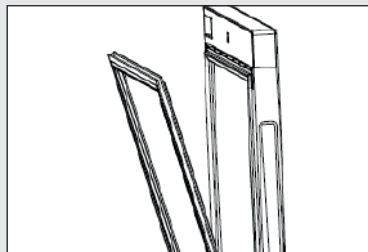
Czynniki chłodnicze i gazy muszą być usuwane profesjonalnie. Przed utylizacją upewnij się, że przewody układu chłodniczego nie są uszkodzone. Wyciągnij wtyczkę z kontaktu. Odetnij przewód zasilania i wyrzuć go. Usuń tace i szuflady oraz zamek drzwi i uszczelki, aby zapobiec zamknięciu się dzieci i zwierząt w urządzeniu.

- ▶ **OSTRZEŻENIE:** Przed czyszczeniem odłącz urządzenie od sieci.
- ▶ Nie czyść urządzenia twardymi szczotkami, szczotkami drucianymi, proszkiem do prania, benzyną, octanem amylu, acetonem i podobnymi roztworami organicznymi, kwasowymi lub alkalicznymi. Proszę czyścić specjalnym detergentem do lodówek, aby uniknąć uszkodzenia.
- ▶ Wyczyść urządzenie, gdy przechowywane jest niewiele wina lub jest puste. Konieczne jest jedynie jego wyczyszczenie, gdy jest brudne.
- ▶ Czyść wnętrze i obudowę urządzenia gąbką zwilżoną ciepłą wodą i neutralnym detergentem.
- ▶ Spłucz czystą, ciepłą wodą i wysusz miękką szmatką.
- ▶ Nie czyść żadnej z części urządzenia w zmywarce.
- ▶ Odczekaj co najmniej 7 minut przed ponownym uruchomieniem urządzenia, jako że szybkie włączenie może doprowadzić do uszkodzenia sprężarki.



Wyczyść uszczelki drzwi:

- ▶ Uszczelki drzwi należy czyścić co trzy miesiące, aby zapewnić właściwe uszczelnienie. Jak poniżej :
Wyjmij: Chwyć uszczelkę drzwi i wyciągnij ją zgodnie z kierunkiem strzałki, aby zdjąć całą uszczelkę drzwi.
Zanurz szczotkę w wodzie lub alkoholu spożywczym, najpierw oczyść rowek uszczelki drzwi, pociągając szczotkę do tyłu i do przodu. Następnie wytrzyj powierzchnię uszczelki drzwi ręcznikiem zamoczone w wodzie lub alkoholu spożywczym. Na koniec umyj uszczelkę drzwi i wytrzyj ją do sucha czystym ręcznikiem.



Instalacja uszczelki drzwi po czyszczeniu:

Przed instalacją upewnij się, że na uszczelce drzwi nie ma wody. Włóż uszczelkę drzwi do rowka i dociśnij uszczelkę drzwi ręcznie od góry do dołu, aż cała uszczelka drzwi zostanie włożona w rowek

Czyszczenie półek:

- ▶ Wszystkie półki można wyjąć do czyszczenia.
- ▶ Wyjmij wszystkie butelki.
- ▶ Podnieś każdą półkę i wyjmij ją.
- ▶ Wyczyść półkę miękką ściereczką.
- ▶ Przed włożeniem poczekaj, aż półki wyschną.

OSTRZEŻENIE:

Odczekaj co najmniej 7 minut, aby ponownie podłączyć zasilanie po jego odłączeniu.

Sprawdź akcesoria i literaturę zgodnie z tą listą: bez izolacji.

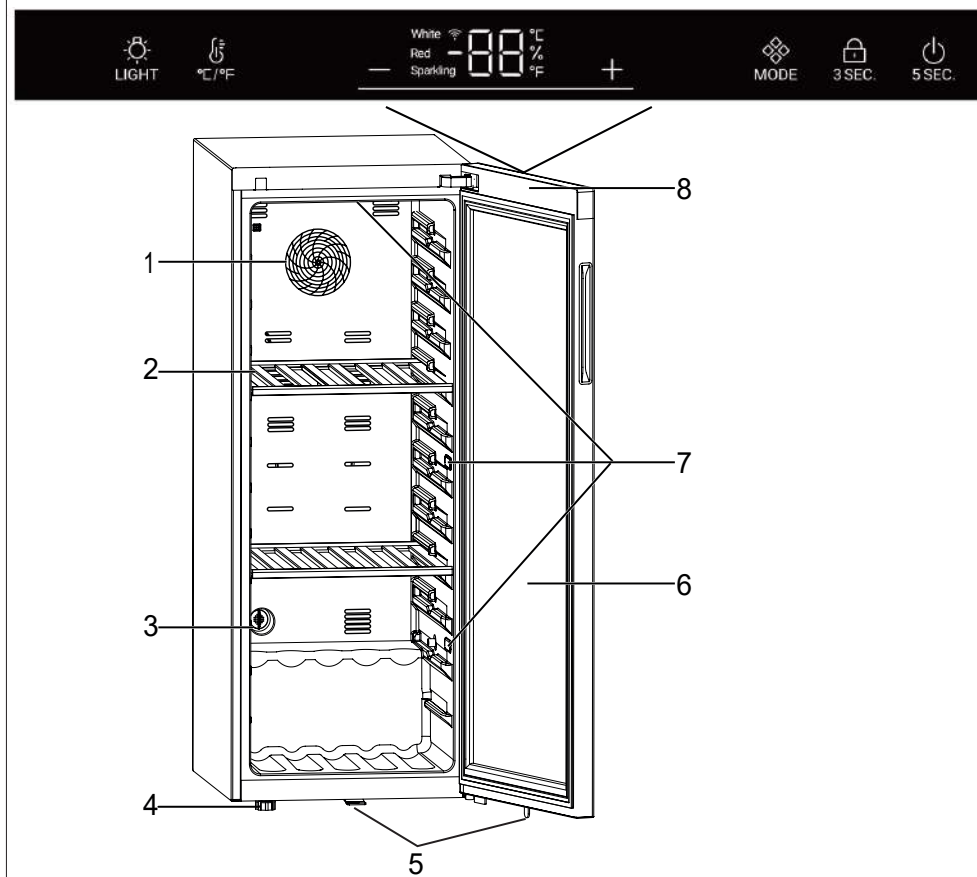
Imię	Podręcznik użytkownika	Karta serwisowa	Półka	Mała półka	Ostona zawiasu	Etykieta energetyczna	Przycisk	Lewy trzpień drzwi instrukcja
HWS84GA	1	1	6	1	1	1	2	2
HWS84GNF	1	1	6	1	1	1	2	2
HWS49GA	1	1	4	1	1	1	2	2
HWS49GAE	1	1	4	/	/	1	/	/
HWS66GGE	1	1	5	/	/	1	2	/



Uwaga

Z powodu zmian technicznych i różnych modeli, niektóre ilustracje w tej instrukcji mogą się różnić od Twojego modelu.

Zdjęcie urządzenia



- | | |
|---|---------------------------------|
| 1. Termoobieg (oprócz HWS49GAE, HWS66GGE) | 5. Blokada (oprócz HWS49GAE) |
| 2. Półka | 6. Drzwiczki |
| 3. Aktywny filtr węglowy | 7. Lampa LED |
| 4. Regulowana nóżka | 8. Wyświetlacz (z przodu drzwi) |

1. Rozpakowywanie

- ▶ Wyjmij urządzenie z opakowania.
- ▶ Usuń wszystkie części opakowania, piankową podstawę i taśmę klejącą przytrzymującą akcesoria.

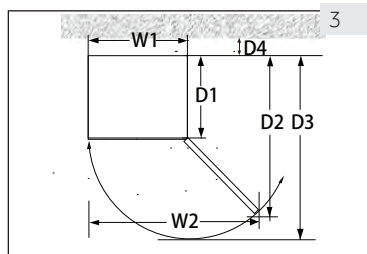
2. Warunki środowiskowe

Temperatura w pomieszczeniu powinna być zawsze pomiędzy 10 °C a 38 °C, ponieważ może to mieć wpływ na temperaturę wewnątrz urządzenia oraz zużycie energii. Nie ustawiaj urządzenia w pobliżu innych urządzeń bez izolacji emitujących ciepło (piekarniki, lodówki).

3. Wymagane miejsce

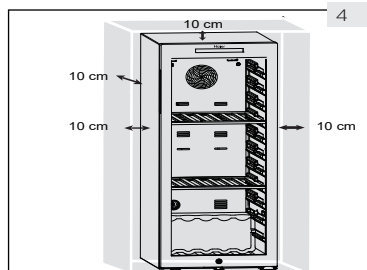
Wymagane miejsce na otwarcie drzwi (rys. 3):

Szerokość w mm		Głębokość w mm			Odległość od ściany w mm
W1	W2	D1	D2	D3	D4
495	630	535	1033	1047	100



4. Przestrzeń wentylacyjna

Ze względów bezpieczeństwa i ze względów energetycznych należy przestrzegać wymaganej odległości wentylacyjnej 10cm we wszystkich kierunkach (rys. 4).



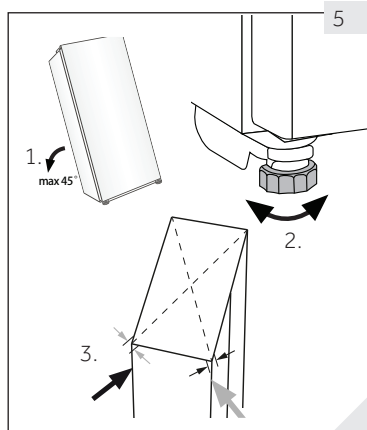
OSTRZEŻENIE!

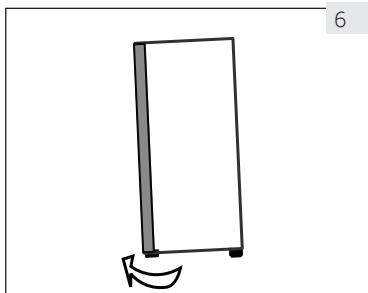
▶ Nie blokuj otworów wentylacyjnych w urządzeniu ani w zabudowie. To urządzenie chłodnicze nie jest przeznaczone do użytku jako urządzenie do zabudowy.

5. Ustawianie urządzenia

Urządzenie powinno być umieszczone na płaskiej i stabilnej powierzchni.

1. Pochyl urządzenie lekko do tyłu (rys. 5).
2. Ustaw przednie stopki na żądanym poziomie, przekręcając je.
3. Stabilność można sprawdzić popychając na przemian rogi urządzenia. Lekkie kołysanie powinno być takie same w obu kierunkach. W przeciwnym razie rama może się wykrzywić; wynikiem tego mogą być nieszczelne uszczelki drzwi. Nie wielki przechył do tyłu pomaga zamykaniu drzwi.





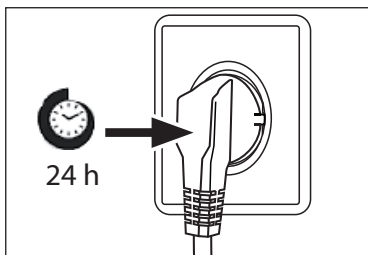
6

6. Regulacja drzwi

Urządzenie zamyka się lepiej, jeśli użyto stoppek poziomujących z przodu:

Obróć stopkę (rys. 6), aby ją podnieść lub obniżyć:

- ▶ Przekręcenie stopki w prawo podnosi urządzenie.
- ▶ Przekręcenie stopki w lewo obniża urządzenie.



7. Czas oczekiwania

W kapsułce sprężarki znajduje się olej do bezobstugowej konserwacji. Olej ten może przedostać się poprzez zamknięty system rur podczas transportu przechylnego urządzenia. Przed podłączeniem urządzenia do zasilania trzeba odczekać 24 godziny (rys. 7), aby olej spłynął z powrotem do zbiornika.

8. Połączenie elektryczne

Przed każdym podłączeniem sprawdź, czy:

- ▶ zasilanie, gniazdko i bezpieczniki odpowiadają informacji na tabliczce znamionowej.
- ▶ gniazdko jest uziemione i nie zastosowano rozgałęźnika lub przedłużacza.
- ▶ wtyczka i gniazdko są ściśle dopasowane.

Podłącz urządzenie wyłącznie do właściwie zamontowanych i uziemionych gniazdek elektrycznych.



OSTRZEŻENIE!

Aby uniknąć ryzyka, uszkodzony przewód zasilający musi być wymieniony przez serwis (patrz: karta gwarancyjna).

9. Zmiana kierunku otwierania drzwi (oprócz HWS49GAE, HWS66GGE)

Przed podłączeniem urządzenia do zasilania należy sprawdzić, czy nie trzeba zmienić kierunku otwierania drzwi z prawego (ustawienie przy odbiorze) na lewy, jeśli jest to konieczne ze względu na miejsce instalacji i użytkowania.

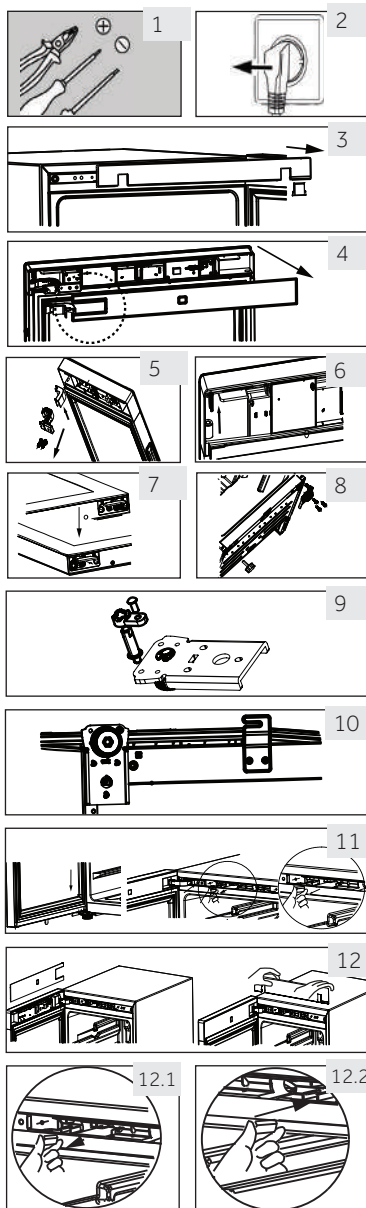


OSTRZEŻENIE!

- ▶ Urządzenie jest ciężkie. Potrzeba dwóch osób do zmiany kierunku otwierania drzwi.
- ▶ Przed rozpoczęciem jakichkolwiek czynności, należy najpierw odłączyć urządzenie od sieci.
- ▶ Nie przechylaj lodówki bardziej niż 45°, aby uniknąć uszkodzenia układu chłodniczego.

Kroki montażu (oprócz HWS49GAE, HWS66GGE)

1. Pracuj, używając odpowiednich narzędzi.
2. Odłącz urządzenie od prądu.
3. Otwórz drzwi, zdejmij przedni pasek i znajdź odpowiedni, aby usunąć lewą stronę i umieścić po prawej stronie szczeliny.
4. Odłącz kabel. Wyciągnij górną część uszczelki drzwi i zdejmij tylną listwę (Usuń z lewego otworu bocznego).
5. Wykręć 2 śruby z górnego zawiasu.
6. Zdejmij pokrywę i zawias, zdejmij pokrywę osi, zamontuj ją na drugiej stronie, a następnie zamontuj zawias w osi.
7. Wyjmij krzywkę i uchwyt drzwi, przesun uchwyt drzwi na drugą stronę drzwi. Zamontuj nową krzywkę z torby prezentowej.
8. Pochylona obudowa (mniej niż 45°) - zdejmij dolny zawias (3 śruby), aby poprawić.
9. Zdemontuj dolną krzywkę zawiasu i wał przegubowy. Zamontować wał po prawej stronie dolnego zawiasu. Wyjmij krzywkę z torby z instrukcją i zamontuj ją na dolnym wale przegubowym.
10. Zamontuj dolny zawias i dolną stopę po drugiej stronie szafki. Nasmaruj krzywkę.
11. Zamontuj drzwi na dolnym wale przegubowym i przymocuj do obudowy górny zawias za pomocą dwóch śrub. Zamocuj przewody sygnałowe na środku górnego zawiasu wrębowego do rowka i weź pokrywę zawiasu z torby z instrukcją i przymocuj go do górnego zawiasu.
12. Zamontuj uszczelkę i listwę na drzwiach. Włóż parę przewodów sygnałowych drzwi, przesun przełącznik magnetyczny (12.1) do prawego gniazda (12.2) montażowego skrzynki górnej belki i zamocuj przednią listwę pokrywy.
13. Upewnij się, że drzwi mogą się łatwo otwierać i zamykać.



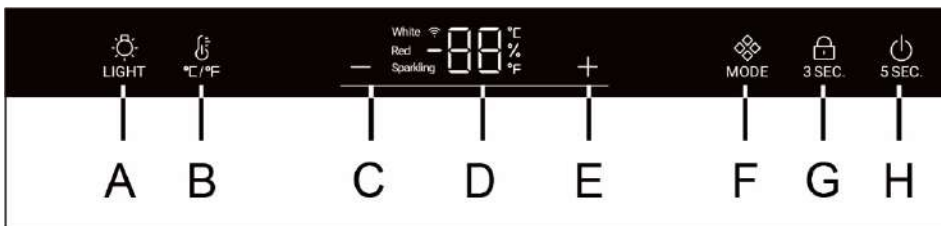
1. Przed pierwszym użyciem

- ▶ Usuń wszystkie materiały opakowania. Obejmuje to podstawę styropianową oraz taśmę przyklepną, utrzymującą na miejscu części znajdujące się na zewnątrz i wewnątrz chłodziarki do win. Trzymaj je poza zasięgiem dzieci i wyrzucić je w sposób przyjazny dla środowiska.
- ▶ Przed włożeniem wina wyczyść wnętrze i obudowę urządzenia wodą z dodatkiem łagodnego detergentu.
- ▶ Po wypoziomowaniu i oczyszczeniu urządzenia, odczekaj co najmniej 2 godziny przed podłączeniem go do zasilania. Jeśli Twoja chłodziarka do win została przechylona z jakiegokolwiek powodu, odczekaj 24 godziny przed jej podłączeniem do zasilania. Zobacz rozdział INSTALACJA.
- ▶ Po podłączeniu urządzenia do gniazda elektrycznego i przed przystąpieniem do jakichkolwiek zmian należy pozostawić urządzenie samemu sobie przez co najmniej 30 minut w celu jego aklimatyzacji.
- ▶ Temperatura jest automatycznie ustawiona na 12°C. W razie potrzeby można ręcznie zmienić temperaturę. Patrz: TEMPERATURA.

2. Przyciski dotykowe

Przyciski na panelu sterowania są klawiszami dotykowymi, które reagują na delikatne dotknięcie palcem.

3. Opis panelu sterowania



A Przycisk oświetlenia wnętrza

B Przycisk konwersji °C/°F

C Przycisk regulacji temperatury: w dół

D Wyświetlacz

E Przycisk regulacji temperatury: w górę


F Przycisk trybu


G Przycisk blokady

H Przycisk zasilania

4. Funkcja automatycznego blokowania

Panel sterowania automatycznie blokuje się zapobiegając naciśnięciu klawiszy po 30

sekundach z włączonego,  się świeci. Aby włączyć blokadę klawiatury, naciśnij

przycisk  przez 3 sekundy po zablokowaniu podświetlone LED przycisną. Przycisk A nie jest zablokowany.

5. Funkcja przycisku zasilania

Przytrzymaj przycisk H przez 5 sekund, w piwniczce na wino zostanie wyłączone zasilanie.

Następnie przytrzymaj przycisk H przez 5 sekund, a w piwniczce na wino zostanie włączone zasilanie.

6. Ustawianie temperatury



Uwaga

Ustawienia predefiniowane

- ▶ Po podłączeniu urządzenia do gniazda elektrycznego i przed przystąpieniem do jakichkolwiek zmian należy pozostawić urządzenie samemu sobie przez co najmniej 30 minut w celu jego aklimatyzacji.
- ▶ Po włączeniu urządzenia po odłączeniu od głównego źródła zasilania osiągnięcie prawidłowej temperatury może potrwać kilka godzin. Dokładny czas zależy od otoczenia i ustawienia temperatury.



Wciśnij przycisk lub , wyświetlacz zacznie migać. Naciśnij lub , aby ustawić żądaną temperaturę. Zakres ustawień temperatury: 5-20°C (41-68°F). Przerwać naciskać przycisk przez 3 sekundy, temperatura zostanie potwierdzona.

7. Funkcja trybu

Wciśnij przycisk MODE, przełącznik temperatury z musującego (8°/47°F) na białe (12°/54°F) i czerwone (16°/61°F).

Zalecane ustawienia temperatury

W przypadku różnych rodzajów wina zalecane są następujące temperatury ich picia.

Wino czerwone	+13°C do +20°C (+55°F do +68°F)	Wino musujące Prosecco	+5°C do +8°C (+41°F do 47°F)
Wino białe	+9°C do +12°C (+48°F do +54°F)		

W przypadku długiego przechowywania wina należy przechowywać go w temperaturze od +10°C +12°C (50°F do +54°F).

8. Tryb czuwania

Ekran wyświetlacza automatycznie przyciemnia się po 30 sekundach.

Zapala się on automatycznie po dotknięciu dowolnego klawisza lub otwarciu drzwi.



Uwaga Wpływ na temperaturę



Następujące czynniki mają wpływ na temperaturę w urządzeniu:

- ▶ Temperatura otoczenia
- ▶ Częstotliwość otwierania drzwi
- ▶ Ilość przechowywanych butelek
- ▶ Lokalizacja urządzenia

Domyślne ustawienie to 12°C

Gdy wyświetlacz przestanie migać, wróci do wyświetlania bieżącej temperatury w chłodziarce do win. Osiągnięcie ustawionej temperatury zajmie trochę czasu.

9. Ustawienie trybu oświetlenia

Naciśnij  przycisk. Gdy światła w szafce są ustawiona na „Włącz”, to będą się stopniowo zapalać. Po ponownym naciśnięciu  przycisku światła zgasną stopniowo.

10. Funkcja °C/°F

Naciśnij  przycisk, aby przełączać się między stopniami Fahrenheita i Celsjusza.

11. Funkcja pamięci przy wyłączeniu zasilania

W przypadku przerwy w zasilaniu, piwniczka automatycznie zapamięta ustawioną temperaturę. Po przywróceniu zasilania będzie działać z temperaturą ustawioną przed zanikiem zasilania.

12. Funkcja kompensacji w niskiej temperaturze (z wyjątkiem HWS49GAE, HWS66GGE)

Chłodziarka do win posiada funkcję kompensacji niskich temperatur w celu zapewnienia stabilności temperatury: Gdy temperatura otoczenia jest niższa niż temperatura ustawiona, chłodziarka do win automatycznie uruchamia funkcję kompensacji w niskiej temperaturze, ogrzewając aplikację. Gdy temperatura w aplikacji osiągnie ustawioną temperaturę, funkcja kompensacji niskiej temperatury zostanie automatycznie wyłączona.

13. Alarm otwartych drzwi

W przypadku, gdy drzwi pozostaną otwarte na dłużej niż 1 minutę, zacznie rozbrzmiewać sygnał dźwiękowy, który wyłączy się po zamknięciu drzwi lub po naciśnięciu dowolnego przycisku na panelu wyświetlacza.



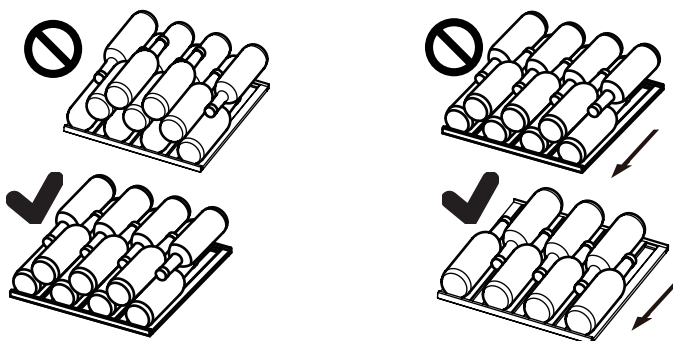
Wskazówki dotyczące oszczędzania energii

- ▶ Upewnij się, że urządzenie jest właściwie wentylowane (patrz MONTAŻ).
- ▶ Nie należy instalować urządzenia w bezpośrednim świetle słonecznym lub w pobliżu źródeł ciepła (np. pieców, grzejników).
- ▶ Unikaj niepotrzebnie niskiej temperatury w urządzeniu. Zużycie energii zwiększa się wraz z ustawieniem niższej temperatury w urządzeniu.
- ▶ Otwieraj drzwi możliwie rzadko i na krótko.
- ▶ Nie należy przekraczać dozwolonej liczby butelek, aby nie utrudniać przepływu powietrza.
- ▶ Uszczelki drzwi należy utrzymywać w czystości, aby zapewnić prawidłowe zamykanie drzwi.
- ▶ Najbardziej energooszczędna konfiguracja wymaga umieszczenia szuflad, pudełek na żywność i półek w produkcie w stanie fabrycznym oraz umieszczenia żywności bez blokowania wylotu powietrza z kanału.


1. Półka

1. Półki zostały zaprojektowane do łatwego przechowywania i łatwego wyciągnięcia wina.
Mogą być czyszczone miękkim ręcznikiem.
 2. Można na nich układać normalne butelki o średnicy 76mm.
 3. Butelki magnum można układać na dolnej półce.
 4. Ilość może się różnić od przedstawionej liczby butelek, jeśli są one ułożone w inny sposób.
- Porady dotyczące układu chłodziarki do win**

Zalecamy, aby liczba butelek wina nie przekraczała dwóch warstw na każdej półce, a nośność półek na wino nie przekraczała 20kg. Przed umieszczeniem butelek w chłodziarce do win należy sprawdzić, czy półki na wino są całkowicie stabilne, a także czy jakakolwiek butelka nie wystaje z półek, aby nie uderzyła w szklane drzwi podczas ich zamykania.



2. Oświetlenie

Dioda wewnątrz urządzenia zapala się po otwarciu drzwi. Aby włączyć światło, gdy drzwi są zamknięte, dotknij  przycisku. Aby wyłączyć światła, dotknij ponownie przycisku. Aby zwiększyć efektywność energetyczną, światła powinny być wyłączone, gdy nie zagląda się do chłodziarki do win.

3. Zamek

Aby zamknąć chłodziarkę do win, zamknij drzwi i włóż kluczyk do zamka:

- ▶ Zamknij drzwi obracając kluczyk w lewo;
- ▶ Otwórz drzwi obracając kluczyk w prawo;

1. Rozmrażanie

Rozmrażanie chłodziarki do win wykonywane jest automatycznie; nie trzeba nic robić.

2. Wymiana lampy LED

Lampa wykorzystuje LED jako źródło światła i charakteryzuje się niskim zużyciem energii i długą żywotnością. W przypadku jakichkolwiek nieprawidłowości skontaktuj się z obsługą klienta. Patrz: OBSŁUGA KLIENTA.



OSTRZEŻENIE!

Nie wymieniaj samodzielnie lampy LED. Musi zostać wymieniona albo przez producenta, albo przez autoryzowanego serwisanta.

Parametry lampy LED:

Napięcie 12V; Maksymalna moc: 8W (dla HWS84GA i HWS49GNF)

Napięcie 12V; Maksymalna moc: 5W (dla HWS49GAE i HWS49GA)

3. Nie użytkowanie przez dłuższy okres

Odłącz urządzenie od zasilania.

Wyczyść urządzenie i uszczelki drzwi, jak to opisano powyżej.

Otwórz drzwi, aby zapobiec tworzeniu się wewnątrz nieprzyjemnych zapachów.

4. Przenoszenie urządzenia

1. Wyjmij wszystkie butelki i wyjmij wtyczkę z gniazdka.
2. Zabezpiecz taśmą klejącą półki i inne części ruchome w chłodziarce do win.
3. Nie przechylaj chłodziarki do win więcej niż o 45°, aby uniknąć uszkodzenia układu chłodniczego.

5. Wymiana powietrza z filtrem z węglem aktywnym

Sposób, w jaki wina nadal dojrzewają, zależy od warunków otoczenia. Jakość powietrza ma zatem decydujące znaczenie dla zachowania wina. Filtr węglowy został zamontowany w dolnej części tylnej ścianki urządzenia, aby zapewnić optymalną wentylację.



Uwaga

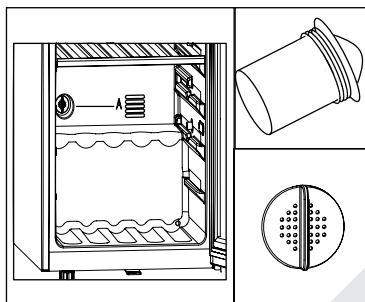
Zalecamy wymianę filtra raz w roku. Filtry można dostać u sprzedawcy.

Wymiana filtra:

Złap filtr za uchwyt. Obróć w lewo i wyjmij.

Wkładanie filtra:

Umieść uchwyt w pozycji pionowej. Obróć w prawo i włóż.



Wiele problemów można rozwiązać samodzielnie, bez specjalistycznej wiedzy. W przypadku problemów prosimy sprawdzić wszystkie pokazane możliwości i postępować zgodnie z poniższymi instrukcjami przed skontaktowaniem się z obsługi posprzedażnej. Patrz: OBSŁUGA KLIENTA.

OSTRZEŻENIE!

- ▶ Przed przystąpieniem do konserwacji, wyłącz urządzenie i wyjmij wtyczkę z gniazdka sieciowego.
- ▶ Urządzenia elektryczne powinny być serwisowane tylko przez wykwalifikowanych ekspertów elektrycznych, ponieważ niewłaściwe naprawy mogą spowodować znaczne szkody.
- ▶ Jeśli kabel zasilania jest uszkodzony, musi on zostać wymieniony przez producenta, serwisanta lub inną wykwalifikowaną osobę w celu uniknięcia niebezpieczeństwa.

Kod błędu	Przyczyna	Rozwiązanie
rH	Temperatura jest za wysoka.	Prosimy o kontakt z naszym serwisem posprzedażowym.
rL	Temperatura jest za niska.	Sprawdź temperaturę otoczenia powinna wynosić od 10 ° C do 38 ° C.

Problem	Możliwa przyczyna	Możliwe rozwiązanie
Sprężarka nie działa.	<ul style="list-style-type: none"> • Wtyczka sieciowa nie jest podłączona do gniazdka. 	<ul style="list-style-type: none"> • Podłącz wtyczkę sieciową.
Urządzenie działa często lub przez zbyt długi okresu czasu.	<ul style="list-style-type: none"> • Temperatura na zewnątrz jest zbyt wysoka. • Urządzenie było odłączone od zasilania przez jakiś okres czasu. • Drzwi urządzenia nie są szczelnie zamknięte. • Drzwi były otwierane zbyt często lub na zbyt długo. • Uszczelki drzwi są brudne, zużyte, pęknięte lub niedopasowane. • Wymagany przepływ powietrza nie jest gwarantowany. • Temperatura jest zbyt niska. 	<ul style="list-style-type: none"> • W tym przypadku, to normalne, że urządzenie będzie pracować dłużej. • Zwykle trochę to trwa zanim urządzenie całkowicie ostygnie. • Zamknij drzwi i upewnij się, że urządzenie znajduje się na płaskiej powierzchni, ani że jedzenie lub szuflady nie blokują drzwi. • Nie należy za często otwierać drzwi. • Wyczyść uszczelki drzwi lub wymień je z pomocą serwisu obsługi klienta. • Zapewnij odpowiednią wentylację. • Problem rozwiąże się sam po osiągnięciu żądanej temperatury.
Wnętrze chłodziarki do win jest brudne i/lub nieprzyjemnie pachnie.	<ul style="list-style-type: none"> • Wnętrze chłodziarki do win wymaga czyszczenia. 	<ul style="list-style-type: none"> • Wyczyść wnętrze chłodziarki do win.
Nie jest wystarczająco zimno wewnątrz urządzenia.	<ul style="list-style-type: none"> • Temperatura jest zbyt wysoka. • Ostatnio dodano butelki. • Drzwi urządzenia nie są szczelnie zamknięte. • Drzwi były otwierane zbyt często lub na zbyt długo. • Uszczelki drzwi są brudne, zużyte, pęknięte lub niedopasowane. 	<ul style="list-style-type: none"> • Ponownie ustaw temperaturę. • Odczekaj, aż niedawno dodane butelki osiągną żądaną temperaturę. • Zamknij drzwi. • Nie należy za często otwierać drzwi. • Wyczyść uszczelki drzwi lub wymień je z pomocą serwisu obsługi klienta.
Jest zbyt zimno wewnątrz urządzenia.	<ul style="list-style-type: none"> • Temperatura jest zbyt niska. 	<ul style="list-style-type: none"> • Ponownie ustaw temperaturę.
Powstawanie wilgoci na wewnętrznych ściankach komory lodówki.	<ul style="list-style-type: none"> • Klimat jest zbyt ciepły i zbyt wilgotny. • Drzwi urządzenia nie są szczelnie zamknięte. • Drzwi były otwierane zbyt często lub na zbyt długo. 	<ul style="list-style-type: none"> • Zwiększ temperaturę. • Zamknij drzwi. • Nie otwieraj drzwi/szuflad zbyt często.

Problem	Możliwa przyczyna	Możliwe rozwiązanie
Wilgoć gromadzi się na zewnętrznej powierzchni chłodziarki do win.	<ul style="list-style-type: none"> Klimat jest zbyt ciepły i zbyt wilgotny Drzwi nie są szczelnie zamknięte. Skrapla się zimne powietrze wewnątrz urządzenia, a ciepłe powietrze na zewnątrz. 	<ul style="list-style-type: none"> Jest to normalne zjawisko w wilgotnym klimacie i zmieni się, gdy wilgotność spadnie. Upewnij się, że drzwi są szczelnie zamykane, a uszczelki uszczelniają prawidłowo.
Urządzenie wydaje nienormalne dźwięki	<ul style="list-style-type: none"> Urządzenie nie znajduje się na wypoziomowanym podłożu. Urządzenie dotyka jakiegoś obiektu. 	<ul style="list-style-type: none"> Wyreguluj nóżki, aby wypoziomować urządzenie. Usuń przedmioty znajdujące się w pobliżu urządzenia.
Słychać delikatny szum podobny do płynącej wody.	<ul style="list-style-type: none"> To jest normalne. 	<ul style="list-style-type: none"> -
System oświetlenia lub chłodzenie wnętrza nie działa.	<ul style="list-style-type: none"> Wtyczka nie jest włożona do gniazdka. Wystąpił problem z zasilaniem. Lampa LED nie działa. 	<ul style="list-style-type: none"> Podłącz wtyczkę sieciową. Sprawdź zasilanie elektryczne w pomieszczeniu. Zadzwoń do lokalnego zakładu energetycznego. Proszę wezwać serwis do wymiany
Boki chłodziarki i listwa drzwiowa rozgrzewają się	<ul style="list-style-type: none"> To jest normalne. 	<ul style="list-style-type: none"> -
Drzwi nie są prawidłowo zamknięte	<ul style="list-style-type: none"> Urządzenie nie jest wypoziomowane. Drzwi są zablokowane. 	<ul style="list-style-type: none"> Wypoziomuj urządzenie za pomocą stopek poziomujących. Sprawdź, czy butelki lub półki ich nie blokują.

Aby skontaktować się z pomocą techniczną, odwiedź naszą stronę internetową: <https://corporate.haier-europe.com/en/>. W sekcji „website” wybierz markę swojego produktu i swój kraj. Zostaniesz przekierowany na konkretną stronę internetową, na której znajdziesz numer telefonu i formularz do kontaktu z pomocą techniczną

Karta produktu, zgodnie z Zarządzeniem UE Nr 2019/2016

Marka	Haier	Haier	Haier
Nazwa/identyfikator modelu	HWS49GA /HWS49GAE	HWS84GNF	HWS84GA /HWS66GGE
Kategoria	Chłodziarka do wina		
Kategoria chłodzenia domowego	I	I	I
Klasa efektywności energetycznej	F	F	G
Roczne zużycie energii (kWh/rok) ¹⁾	104	110	149/153
Objętość komory (l)	116/118	198	198
Klasa klimatyczna: Urządzenie to przeznaczone jest do stosowania przy temperaturze otoczenia od 10°C do 38 °C.	SN N ST	SN N ST	SN N ST
Poziom emitowanego hałasu (db(A) re 1pW)	C(37)	C(37)	C(37)
Typ urządzenia	Wolnostojąca	Wolnostojąca	Wolnostojąca
To urządzenie jest przeznaczone wyłącznie do przechowywania wina.	Tak	Tak	Tak
Wymiary (gł./szer./wys. w mm)	585/497/820	585/497/1270	585/497/1270

Objaśnienie:

1) na podstawie standardowych wyników testów dla okresu 24 godzin. Rzeczywisty pobór mocy zależy od rzeczywistego otoczenia, ilości rozlewu, ustawionej temperatury, otwierania i zamykania drzwi itp.

2) Nominalny pobór mocy jest wartością ustaloną na podstawie standardowego testu, gdy w komorze na wino nie włącza się wewnętrzne światło.

—rozszerzona umiarkowana: dodaje się ostrzeżenie: „Urządzenie chłodnicze jest przeznaczone do użytku w temperaturze otoczenia mieszczącej się w zakresie od 10 °C do 32 °C”,

—umiarkowana: dodaje się ostrzeżenie: „Urządzenie chłodnicze jest przeznaczone do użytku w temperaturze otoczenia mieszczącej się w zakresie od 16 °C do 32 °C”,

—subtropikalna: dodaje się ostrzeżenie: „Urządzenie chłodnicze jest przeznaczone do użytku w temperaturze otoczenia mieszczącej się w zakresie od 16 °C do 38 °C”,

—tropikalna: dodaje się ostrzeżenie: „Urządzenie chłodnicze jest przeznaczone do użytku w temperaturze otoczenia mieszczącej się w zakresie od 16 °C do 43 °C”;

Normy i dyrektywy

Produkt ten spełnia wymagania wszystkich obowiązujących dyrektyw UE z odpowiednimi normami zharmonizowanymi, które przewidują oznakowanie CE.

Polecamy nasz system Obsługi Klienta Haier i stosowanie oryginalnych części zamiennych. Jeśli masz problem z urządzeniem, najpierw sprawdź sekcję ROZWIĄZYWANIE PROBLEMÓW.

Jeżeli nie możesz znaleźć rozwiązania, prosimy o kontakt

- z twoim lokalnym sprzedawcą lub
- miejscowym serwisem i obsługą klienta w witrynie internetowej www.haier.com, w której można znaleźć numery telefonów i odpowiedzi na często zadawane pytania oraz aktywować zgłoszenie serwisowe.

Aby skontaktować się z naszym działem obsługi, upewnij się, że masz następujące dane. Informacje można znaleźć na tabliczce znamionowej.

Model _____ Nr seryjny _____

Sprawdź także również kartę gwarancyjną dostarczoną z produktem w przypadku posiadania gwarancji.

Dla ogólnych zapytań biznesowych w Europie, skorzystaj z danych kontaktowych podanych poniżej:

Europejskie adresy Haier

Kraj *	Adres pocztowy	Kraj	Adres pocztowy
Włochy	Haier Europe Trading SRL Via De Cristoforis, 12 21100 Verese ITALY	Francja	Haier France SAS 3-5 rue des Graviers 92200 Neuilly sur Seine FRANCE
Hiszpania Portugalia	Haier Iberia SL Pg. Garcia Faria, 49-51 08019 Barcelona SPAIN	Belgium-FR Belgium-NL Netherlands	Haier Benelux SA Anderlecht Route de Lennik 451 BELGIUM
Niemcy Austria	Haier Deutschland GmbH Hewlett-Packard-Str. 4 D-61352 Bad Homburg GERMANY	Luxembourg Polska Czechy Węgry Grecja Rumunia Rosja	Haier Poland Sp. z o.o. Al. Jerozolimskie 181B 02-222 Warszawa POLAND
Wielka Brytania	Haier Appliances UK Co. Ltd. One Crown Square Church Street East Woking, Surrey, GU21 6HR UK		

DOSTĘPNOŚĆ CZĘŚCI ZAMIENNYCH

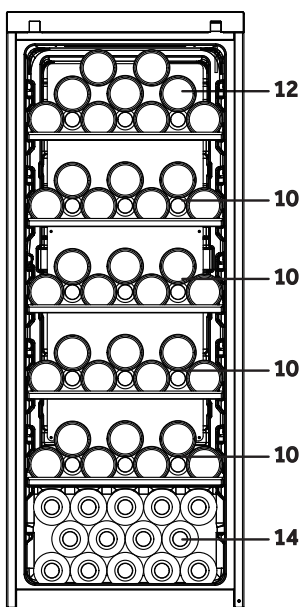
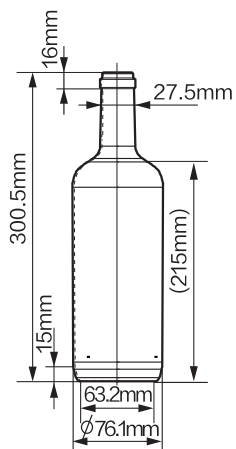
Termostaty, czujniki temperatury, płytki obwodów drukowanych przez okres co najmniej siedmiu lat od wprowadzenia do obrotu ostatniego egzemplarza danego modelu klamki, zawiasy do drzwi, tace i koszyki przez okres co najmniej siedmiu lat oraz uszczelki drzwiowe przez okres co najmniej 10 lat od wprowadzenia do obrotu ostatniego egzemplarza danego modelu

GWARANCJI

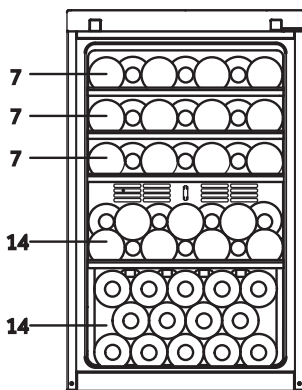
Minimalny okres gwarancji: Kraje UE – 2 lata, Turcja – 3 lata, Wielka Brytania – rok, Rosja – rok, Szwecja – 3 lata, Serbia – 2 lata, Norwegia – 5 lat, Maroko – rok, Algieria – 6 miesięcy, Tunezja – gwarancja prawna nie jest wymagana

Więcej informacji na temat produktu można znaleźć na stronie

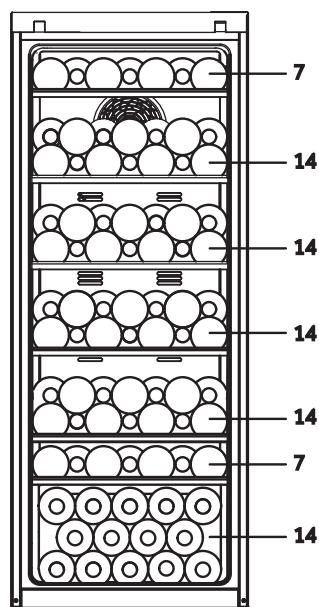
<https://eprel.ec.europa.eu/> lub zeskanować QR na etykiecie energetycznej dostarczonej z urządzeniem



(66)
HWS66GGE



(49)
HWS49GA
HWS49GAE



(84)
HWS84GA
HWS84GNF

HWS-84GA-49GA-49GAE-84GNF-66GGE-PL

Haier



Manual do Utilizador

Cave de Vinho

HWS84GA
HWS84GNF
HWS49GA
HWS49GAE
HWS66GGE

PT

Haier

Obrigado por comprar um produto Haier.

Deve ler estas instruções cuidadosamente antes de usar o aparelho. As instruções contém informação importante que o ajudará a obter o melhor do aparelho e assegurar a instalação segura, utilização e manutenção adequada.

Manter este manual em local conveniente para que o possa consultar sempre para a utilização segura e adequada do aparelho.

Se vender o aparelho, o oferecer, ou o deixar quando mudar de casa, ter certeza de também entregar este manual para o novo proprietário se familiarizar com o aparelho e as advertências de segurança.



Legenda

Advertência – Informação de Segurança Importante



Informação geral e dicas



Informação ambiental



Eliminação

Ajude a proteger o ambiente e a saúde humana. Pôr a embalagem em contentores adequados para ser reciclada. Ajude a reciclar resíduos de aparelhos elétricos e eletrônicos. Não eliminar aparelhos marcados com este símbolo com o lixo doméstico. Levar o produto para a sua instalação de reciclagem local ou contactar o seu serviço municipal.



ADVERTÊNCIA!

Risco de lesão ou asfixia!

Refrigerantes e gases devem ser eliminados profissionalmente. Assegurar que a tubagem do circuito de refrigeração não está danificada antes de ser eliminado adequadamente. Desligar o aparelho da corrente elétrica. Cortar os cabos de alimentação e eliminá-los. Retirar as prateleiras e gavetas bem como os vedantes e pegas da porta, para evitar que crianças e animais fiquem perto do aparelho.

Os aparelhos antigos continuam a ter algum valor residual. Um método ecológico de eliminação irá assegurar que as matérias-primas valiosas podem ser recuperadas e utilizadas novamente.

O ciclopentano, uma substância inflamável não prejudicial para a camada de ozono, é utilizada como um expensor para a espuma de isolamento.

Ao assegurar que este produto é eliminado corretamente, ajudará a evitar potenciais consequências negativas para o meio ambiente e para a saúde humana, os quais poderiam caso contrário ser causados.

Para informações mais detalhadas sobre a reciclagem destes produtos realizada por profissionais, contactar o seu centro de serviço local, o seu serviço de recolha de lixos domésticos ou a loja onde comprou o produto,

Informação de Segurança	4
Dicas de segurança	7
Manutenção	11
Acessórios	13
Descrição do produto.....	14
Instalação.....	15
Utilização.....	18
Dicas para poupar energia.....	21
Equipamento.....	22
Cuidado e limpeza.....	23
Resolução de problemas.....	24
Serviço ao Cliente	28
Empilhar garrafas de vinho	29

Este aparelho destina-se a ser utilizado exclusivamente para armazenamento de vinhos. Antes de ligar o aparelho pela primeira vez deve ler as seguintes recomendações de segurança:



ADVERTÊNCIA!

Antes da primeira utilização

- ▶ Assegurar que não há danos de transporte.
- ▶ Remover todos os materiais de embalagem, mantê-los foras do alcance das crianças e eliminá-los de forma ecológica.
- ▶ Aguardar pelo menos duas horas antes de instalar o aparelho de modo a garantir que o circuito refrigerante é totalmente eficiente.
- ▶ Manusear o aparelho sempre com pelo menos duas pessoas porque é pesado.

Instalação

- ▶ O aparelho deve ser colocado num local bem ventilado. Assegurar que existe um espaço de pelo menos 10 cm acima e em volta do aparelho.
- ▶ **ADVERTÊNCIA:** Manter as aberturas de ventilação no aparelho ou na estrutura embutida livres e sem obstrução.
- ▶ Nunca colocar o aparelho numa zona ou local alagado, onde possa ser salpicado com água. Limpar e secar os salpicos de água e as manchas com um pano de limpeza macio.
- ▶ Não instalar a cave de vinhos em qualquer local que não esteja corretamente isolado ou num local aquecido, por ex. garagem, etc. A sua cave de vinhos não foi concebida para funcionar a uma temperatura ambiente inferior a 10 °C.
- ▶ Não instalar o aparelho à luz solar direta ou perto de superfícies quentes (p.ex. fogões, aquecedores).
- ▶ Instalar e nivelar o aparelho numa zona adequada ao seu tamanho e utilização.
- ▶ Assegurar que a informação eléctrica na chapa de características está de acordo com a fonte de alimentação, caso não esteja, deve contactar um electricista.
- ▶ O aparelho é operado por uma fonte de alimentação de 220-240 VAC/50 Hz. A flutuação anormal da potência pode originar falhas no arranque do aparelho ou danos no controlo de temperatura ou no compressor, ou pode haver um ruído anormal quando estiver em funcionamento e nesse caso deve ser montado um regulador automático.
- ▶ Não usar adaptadores multi-fichas ou cabos de extensão.

**ADVERTÊNCIA!**

- ▶ **ADVERTÊNCIA:** Não colocar várias tomadas ou fontes de alimentação portáteis na parte de trás do aparelho.
- ▶ **ADVERTÊNCIA:** Quando posicionar o aparelho, assegurar que o cabo de alimentação não está preso ou danificado.
- ▶ Não pisar no cabo de alimentação.
- ▶ Usar uma tomada com ligação à terra para a fonte de alimentação que seja acessível facilmente. O aparelho deve ser ligado à terra.
- ▶ **Apenas para RU:** O cabo de alimentação do aparelho está equipado com uma ficha de 3 fios (com terra) que se adapta a uma tomada padrão de 3 fios (com terra). Nunca cortar ou desmontar o terceiro pin (com terra). Depois do aparelho estar instalado, a ficha deve estar acessível.
- ▶ **ADVERTÊNCIA:** Não danificar o circuito de refrigeração.

Uso diário

- ▶ Este equipamento pode ser usado por crianças a partir de 8 anos e mais e por pessoas com capacidades físicas, sensoriais ou mentais reduzidas ou com falta de experiência e conhecimento se lhes tiver sido dada a supervisão ou instrução relativamente ao uso do equipamento de uma forma segura e entender os riscos envolvidos.
- ▶ As crianças não devem brincar com o aparelho.
- ▶ É permitido às crianças com idade entre os 3 e os 8 anos carregar e descarregar os aparelhos de refrigeração, mas não lhes é permitido limpar e instalar os mesmos.
- ▶ Manter as crianças com menos de 3 anos afastadas do aparelho a menos que estejam supervisionadas constantemente.
- ▶ A limpeza e a manutenção do utilizador não devem ser feitas por crianças sem supervisão.
- ▶ O aparelho deve ser posicionado de modo que a ficha se mantenha acessível.
- ▶ Se houver fuga do gás de carvão ou de outro gás inflamável, desligar a válvula do gás libertado, abrir as portas e janelas e não desligar o cabo de alimentação do aparelho.
- ▶ Aguardar pelo menos 7 minutos para voltar a ligar a alimentação que foi desligada.
- ▶ Não levantar o aparelho pelas pegadas da porta.
- ▶ As chaves devem ser guardadas longe do alcance das crianças e não junto ao aparelho para evitar que as crianças fiquem fechadas dentro do aparelho.



ADVERTÊNCIA!

- ▶ Notar que o aparelho está concebido para funcionar na faixa de ambiente específico entre 10 e 38°C. O aparelho pode não funcionar corretamente se for deixado por um longo período a uma temperatura acima ou abaixo do intervalo indicado.
- ▶ Não colocar artigos instáveis (objetos pesados, recipientes cheios de água) em cima do aparelho, para evitar danos pessoais causados por queda ou choque elétrico causado pelo contato com água.
- ▶ Abrir e fechar a porta com as pegas. A folga entre a porta e o armário é muito estreita. Não colocar as mãos nestas áreas para evitar que os seus dedos fiquem presos. Abrir ou fechar as portas do aparelho apenas quando não estiverem crianças dentro do limite do movimento da porta.
- ▶ Não guardar ou usar materiais inflamáveis, explosivos ou corrosivos no aparelho ou na sua proximidade.
- ▶ Não guardar neste aparelho substâncias explosivas como latas de spray com carburante inflamável.
- ▶ Não guardar medicamentos, agente bacterianos ou químicos no aparelho. Este aparelho é um aparelho de uso doméstico. Não é recomendado para guardar materiais que exigem temperaturas estritas.
- ▶ Não definir temperatura baixa desnecessariamente no armário da cave de vinhos. Podem ocorrer temperaturas negativas em definições elevadas. Atenção: As garrafas podem explodir
- ▶ Não tocar na superfície interior do compartimento do aparelho quando está a funcionar, especialmente com as mãos molhadas, pois as suas mãos podem congelar em contato com a superfície.
- ▶ Para uma refrigeração adequada do vinho, não sobrecarregar o aparelho.
- ▶ Desligar o aparelho na eventualidade de uma interrupção de energia ou antes de limpar. Permitir pelo menos 7 minutos antes de voltar a colocar o aparelho em funcionamento, dado que o arranque frequente pode danificar o compressor.
- ▶ **ADVERTÊNCIA:** Não usar dispositivos elétricos no interior do aparelho, a menos que sejam do tipo recomendado pelo fabricante. Um cabo de alimentação danificado deve ser substituído pelo serviço ao cliente para evitar riscos (consultar cartão de garantia).
- ▶ Para prolongar a vida útil do aparelho, deve evitar desligar o mesmo.
- ▶ Nunca colocar o aparelho na posição horizontal no chão. Depois de inclinar o aparelho mais de 45°, aguardar 24 horas antes de o voltar a ligar.



ADVERTÊNCIA!

Manutenção / limpeza

- ▶ Assegurar que as crianças são supervisionadas se fizerem limpeza e manutenção.
- ▶ Desligar o aparelho da fonte de alimentação antes de realizar qualquer manutenção de rotina. Esperar pelo menos 7 minutos antes de reiniciar o aparelho, pois frequentes arranques podem danificar o compressor.
- ▶ Segurar a ficha, não o cabo, quando desligar o aparelho.
- ▶ Não limpar o aparelho com escovas duras, escovas de aço, detergente em pó, gasolina, acetato de amilo, acetona e soluções orgânicas semelhantes, ácido ou soluções alcalinas. Deve limpar com detergente especial de frigorífico/congelador para evitar danos. Usar eventualmente água quente e uma solução de bicarbonato de sódio - cerca de uma colher de sopa para um quarto de litro de água. Enxaguar cuidadosamente com água e secar. Não usar pós de limpeza ou outras soluções de limpeza abrasivas. Não lavar as partes amovíveis na máquina de lavar loiça.
- ▶ **ADVERTÊNCIA:** Não usar dispositivos mecânicos nem outros meios para acelerar o processo de descongelação, exceto os recomendados pelo fabricante.
- ▶ Se o cabo de alimentação estiver danificado, deve ser substituído pelo fabricante ou pelo seu agente de assistência ou uma pessoa igualmente qualificada de modo a evitar algum perigo.
- ▶ Não tentar reparar, desmontar ou modificar o aparelho autonomamente. Em caso de reparação deve contactar o nosso serviço ao cliente.
- ▶ Se as lâmpadas estiverem danificadas, devem ser substituídas pelo fabricante ou pelo seu agente de assistência ou uma pessoa igualmente qualificada de modo a evitar algum perigo.
- ▶ Eliminar a sujidade na parte de trás do aparelho pelo menos uma vez por ano para evitar perigo de incêndio, bem como aumento do consumo de energia.

- ▶ Não pulverizar ou enxaguar o aparelho durante a limpeza.
- ▶ Não usar pulverizador ou vaporizador de água para limpar o aparelho.
- ▶ Não limpar as prateleiras de vidro frias com água quente. Mudança de temperatura súbita pode provocar a quebra do vidro.
- ▶ Se não utilizar o seu aparelho durante um longo período, deve deixar o mesmo aberto para evitar a formação de odores desagradáveis no interior do mesmo.

Informação do gás refrigerante



ADVERTÊNCIA!

O aparelho contém o refrigerante inflamável ISOBUTANO (R600a). Assegurar que o circuito refrigerante não foi danificado durante o transporte ou instalação. Libertação de refrigerante pode causar danos nos olhos ou detonação. Se ocorreu um dano, manter afastado de fontes de fogo abertas, ventilar bem a divisão, **não** ligar ou desligar os cabos de alimentação do aparelho ou de qualquer outro aparelho. Informar o serviço ao cliente.

No caso do contato dos olhos com o refrigerante, enxaguá-los imediatamente sob água corrente e contactar o especialista de olhos imediatamente.

ADVERTÊNCIA: O sistema de refrigeração está sob alta pressão. Não deve ser alterado. Dado que são utilizados refrigerantes inflamáveis, a instalação, o manuseamento e a reparação do aparelho deve ser feita estritamente de acordo com as instruções e deve ser contactado o agente profissional ou o serviço pós-venda para a eliminação do aparelho.

Utilização prevista


Este aparelho é destinado a ser usado em uso doméstico ou aplicações similares como:

- zonas de cozinha em estabelecimentos comerciais, escritórios ou outros ambientes laborais;
 - casas rurais e pelos clientes em hotéis e outros ambientes de tipo residencial;
 - ambientes de tipo bed&breakfast;
 - catering ou aplicações não comerciais similares.
- Para assegurar a conservação dos vinhos, deve cumprir com estas instruções de uso.
- Os detalhes da parte mais apropriada no compartimento do aparelho na qual os tipos específicos de alimentos devem ser guardados, considerando a distribuição da temperatura que possa existir nos vários compartimentos do aparelho encontram-se noutra parte do manual.

Não são permitidas alterações ou modificações ao aparelho. Utilização não indicada pode causar perigos e perda de solicitação de garantia.

Eliminação



O símbolo  no produto ou embalagem implica que o produto não deve ser tratado como resíduo doméstico. Em vez disso, deve ser entregue nos pontos de recolha aplicáveis para reciclagem de equipamentos elétricos e eletrónicos. Ao assegurar que este produto é eliminado corretamente, ajudará a evitar consequências negativas para o meio ambiente e para a saúde humana, as quais poderiam caso contrário ser causados por manuseamento inadequado dos resíduos deste produto. Para informações mais detalhadas sobre os pontos de recolha e a reciclagem destes produtos, contactar o seu centro de serviço local, o seu serviço de recolha de lixos domésticos ou a loja onde comprou o produto.

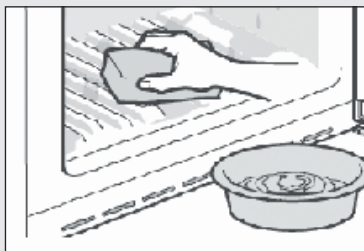
Dado que são usados gases de isolamento inflamáveis, deve contactar o agente profissional ou o serviço pós-venda para a eliminação do aparelho.

ADVERTÊNCIA!

Risco de lesão ou asfixia!

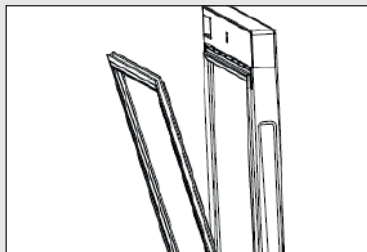
Refrigerantes e gases devem ser eliminados profissionalmente. Assegurar que a tubagem do circuito de refrigeração não está danificada antes de ser eliminado adequadamente. Desligar o aparelho da corrente elétrica. Cortar os cabos de alimentação e eliminá-los. Retirar as prateleiras e gavetas bem como os vedantes e pegas da porta, para evitar que crianças e animais fiquem perto do aparelho.

- ▶ **ADVERTÊNCIA:** Desligar o aparelho da fonte de alimentação antes de proceder à limpeza.
- ▶ Não limpar o aparelho com escovas rijas, escovas de arame, detergente em pó, gasolina, acetato de amila, acetona e soluções orgânicas semelhantes, soluções ácidas ou alcalinas. Deve limpar com detergente de frigorífico especial para evitar danos.
- ▶ Limpar o aparelho apenas quando está pouco ou nenhum vinho armazenado no mesmo. É apenas necessário limpar se o mesmo se encontrar sujo.
- ▶ Limpar o interior e a carcaça do aparelho com uma esponja humedecida em água quente e detergente neutro.
- ▶ Limpar com água quente e um pano macio seco.
- ▶ Não limpar qualquer das peças do aparelho na máquina de lavar loiça.
- ▶ Esperar pelo menos 7 minutos antes de reiniciar o aparelho, pois frequentes arranques podem danificar o compressor.



Limpar o vedante da porta:

- ▶ Os vedantes das portas devem ser limpos em cada 3 meses para assegurar um vedante limpo. Como indicado em baixo: Remover: Agarrar o vedante da porta e puxá-lo para fora conforme a direção da seta para remover completamente o vedante da porta.



Mergulhar a escova em água ou álcool de qualidade alimentar, limpar primeiro o encaixe do vedante da porta empurrando a escova para a frente e para trás. Depois lavar a superfície do vedante da porta com um pano embebido com água ou álcool de qualidade alimentar. Finalmente, lavar o vedante da porta e secar o mesmo com um pano limpo.

Instalação do vedante da porta depois da limpeza:

Antes da instalação, assegurar que não há água no vedante da porta. Colocar o vedante da porta no encaixe e premir o mesmo ligeiramente de cima até abaixo com amão até que o vedante esteja completamente inserido no encaixe.

Limpar as prateleiras:

- ▶ Todas as prateleiras devem ser retiradas para serem limpas.
- ▶ Retirar todas as garrafas.
- ▶ Levantar um pouco cada uma das prateleiras e retirar a mesma.
- ▶ Limpar a prateleira com um pano macio.
- ▶ Aguardar até que as prateleiras sequem antes de as voltar a colocar.

ADVERTÊNCIA:

Aguardar pelo menos 7 minutos para voltar a ligar a alimentação que foi desligada.

Verificar os acessórios e literatura em conformidade com esta lista: sem isolamento.

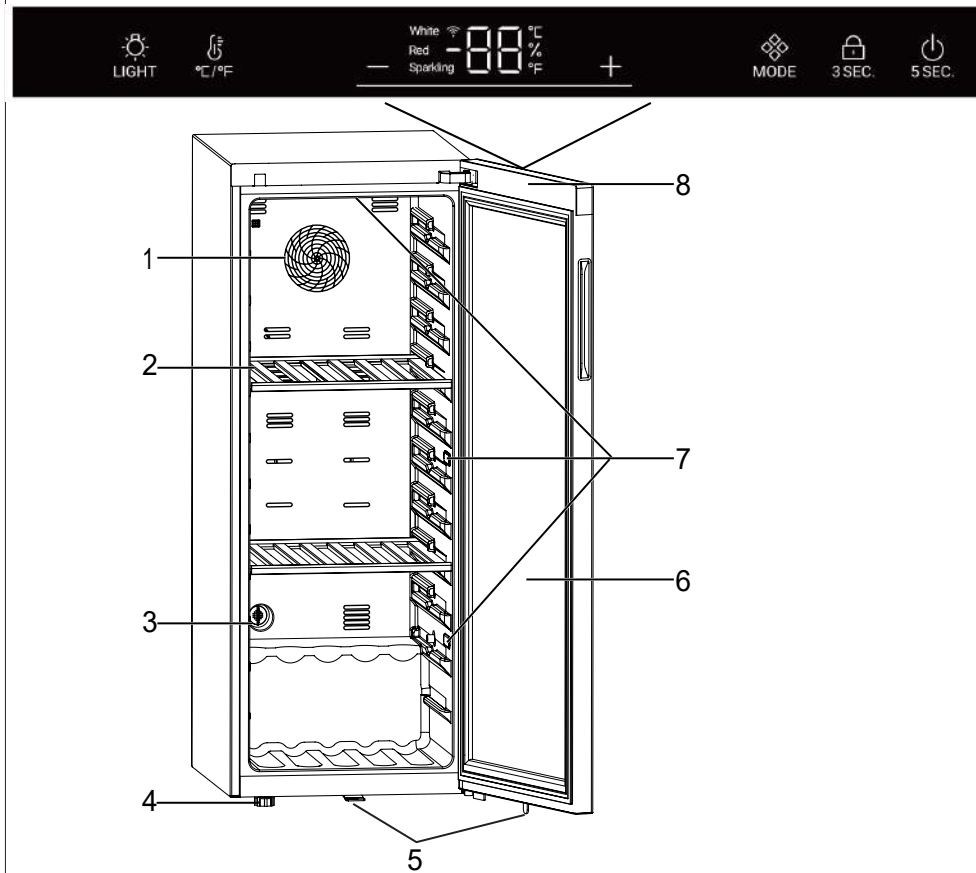
Nome	Manual do Utilizador	Cartão de assistência	Prateleira	Prate - leira pe - quena	Tampa da do - bradiça	Etiqueta energética	Chave	Excêntrico esquerdo da porta manual
HWS84GA	1	1	6	1	1	1	2	2
HWS84GNF	1	1	6	1	1	1	2	2
HWS49GA	1	1	4	1	1	1	2	2
HWS49GAE	1	1	4	/	/	1	/	/
HWS66GGE	1	1	5	/	/	1	2	/



Observação

Devido a alterações técnicas e modelos diferentes, as ilustrações neste manual podem diferir do seu modelo.

Imagem do aparelho



- | | |
|---|-------------------------------|
| 1. Ventilador (exceto HWS49GAE, HWS66GGE) | 5. Fecho (exceto HWS49GAE) |
| 2. Prateleira | 6. Porta |
| 3. Filtro de carvão ativo | 7. Lâmpada LED |
| 4. Pés ajustáveis | 8. Visor (na frente da porta) |

1. Desembalagem

- ▶ Retirar o aparelho da embalagem.
- ▶ Remover todos os materiais de embalagem incluindo a base em espuma e toda a fita adesiva que está a prender os acessórios.

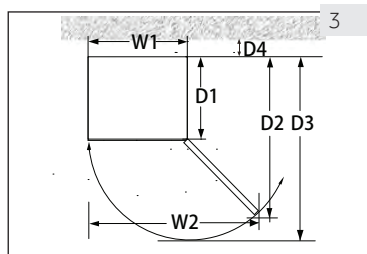
2. Condições ambientais

A temperatura da divisão deve ser sempre entre 10 °C e 38 °C, pois pode influenciar a temperatura no interior do aparelho e o seu consumo de energia. Não instalar o aparelho próximo de outros aparelhos emissores de calor (fornos, frigoríficos) sem isolamento.

3. Requisitos de espaço

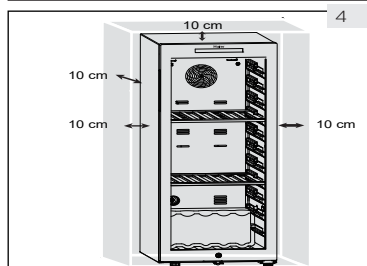
Espaço necessário para abrir a porta (Fig. 3):

Largura em mm		Profundidade em mm			Distância até à parede em mm
W1	W2	D1	D2	D3	D4
495	630	535	1033	1047	100



4. Espaço de ventilação

Por razões de segurança e de energia, deve ser respeitada a distância de ventilação necessária de 10 cm em todas as direções (Fig. 4).



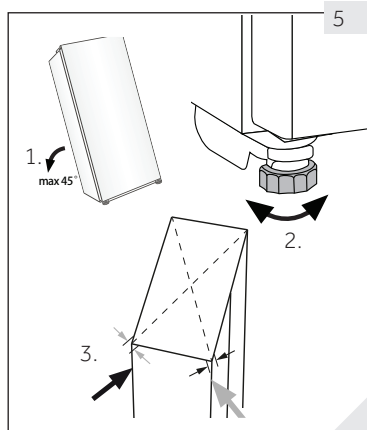
ADVERTÊNCIA!

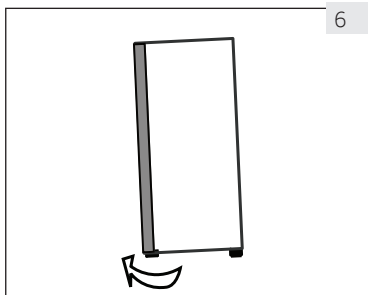
- ▶ Manter as aberturas de ventilação no aparelho ou na estrutura embutida sem obstrução. Este aparelho de refrigeração não se destina a ser usado como um aparelho embutido.

5. Alinhar o aparelho

O aparelho deve ser colocado numa superfície plana e sólida.

1. Inclinar ligeiramente o aparelho para trás (Fig. 5).
2. Colocar os pés ajustáveis frontais na altura pretendida rodando os mesmos.
3. A estabilidade pode ser verificada por abanar nas diagonais alternadamente. A oscilação ligeira deve ser a mesma em ambas as direções. Caso contrário, a estrutura pode deformar; possíveis fugas dos vedantes da porta são o resultado. Uma pequena tendência para a parte traseira facilita o fecho da porta.



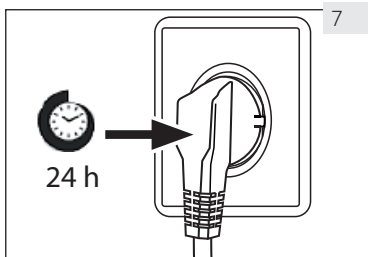


6. Ajuste fino das portas

O aparelho fecha mais facilmente se forem usados os pés nivelados na parte da frente.

Rodar os pés ajustáveis (Fig. 6) para subir ou descer os mesmos:

- ▶ Rodar os pés no sentido horário eleva o aparelho.
- ▶ Rodar os pés no sentido anti-horário baixa o aparelho.



7. Tempo de espera

O óleo de lubrificação sem manutenção está localizado na cápsula do compressor. Este óleo pode ficar no sistema de tubos fechados durante o transporte se o aparelho estiver inclinado. Antes de ligar o aparelho à fonte de alimentação tem de esperar 24 horas (Fig. 7) para que o óleo volte para a cápsula.

8. Ligação elétrica

Antes de cada ligação verificar se:

- ▶ fonte de alimentação, tomada e fusível são adequados à placa de características.
- ▶ a tomada de alimentação tem ligação à terra e sem fichas múltiplas ou extensão.
- ▶ a ficha e tomada de alimentação estão estritamente de acordo.

Ligar a ficha a uma tomada doméstica instalada adequadamente.



ADVERTÊNCIA!

Um cabo de alimentação danificado deve ser substituído pelo serviço ao cliente para evitar riscos (consultar cartão de garantia).

9. Reversibilidade da porta(exceto HWS49GAE,HWS66GGE),

Antes de ligar o aparelho à fonte de alimentação deve verificar, se a rotação da porta deve ser alterada da direita (como entregue) para a esquerda, se isto é necessário pela localização da instalação e a funcionalidade.

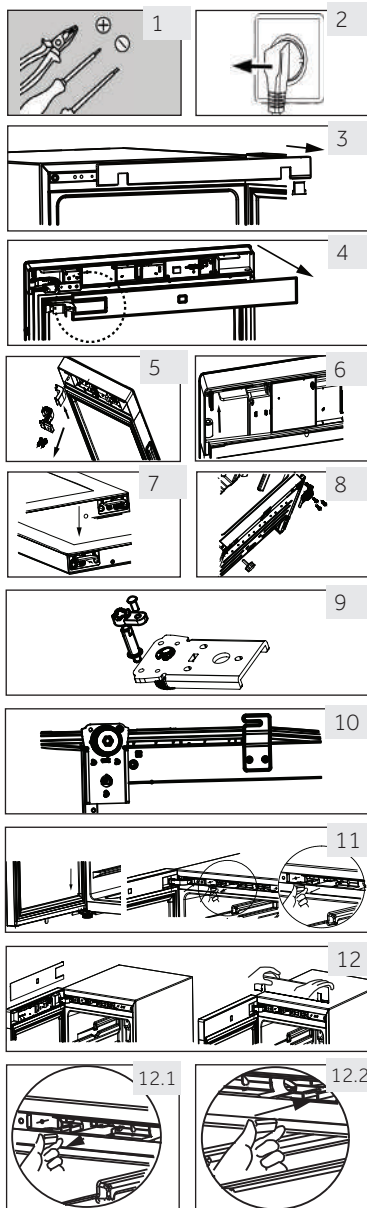


ADVERTÊNCIA!

- ▶ O aparelho é pesado. Precisa de duas pessoas para realizar a reversibilidade da porta.
- ▶ Antes de qualquer operação, desligar primeiro o aparelho da eletricidade.
- ▶ Não inclinar o aparelho mais de 45 ° para evitar danos do sistema de refrigeração.

Passos da instalação(exceto HWS49GAE,HWS66GGE)

1. Providenciar a ferramenta necessária.
2. Desligar o aparelho.
3. Abrir a porta, retirar a junta isolante frontal e encontrar a junta isolante correspondente para remover o lado esquerdo e colocada na lado direito da folga.
4. Desligar o cabo de ligação. Puxar para fora parte do vedante da porta e retirar a junta isolante traseira da porta (Retire da abertura do lado esquerdo).
5. Remover 2 parafusos na dobradiça superior.
6. Remover a tampa e a dobradiça, remover a tampa do eixo e depois montar o outro lado, seguidamente instalar a dobradiça no eixo.
7. Remover o excêntrico e o suporte da porta, mover o suporte da porta para outro lado da porta. Instalar o novo excêntrico do saco de oferta.
8. Com o armário inclinado (menos de 45°), remover a dobradiça inferior (3 parafusos) para reserva.
9. Remover o excêntrico da dobradiça inferior e o eixo da dobradiça. Instalar o eixo no lado direito da dobradiça inferior. Retirar o excêntrico do saco de instruções e instalar o mesmo no eixo da dobradiça inferior.
10. Instalar a dobradiça inferior e o pé inferior no outro lado do armário. Lubrificar o excêntrico.
11. Instalar a porta no eixo da dobradiça inferior e fixar a dobradiça superior ao armário com dois parafusos. Fixar os fios de sinal no meio da ranhura da dobradiça superior e retirar a tampa da dobradiça do saco de instruções e fixar a mesma na dobradiça superior.
12. Instalar o vedante da porta e a junta isolante na porta. Inserir o par de fios de sinal da porta, mover o interruptor magnético (12.1) para a ranhura de montagem (12.2) direita da caixa da barra superior e apertar a guarnição frontal do armário.
13. Assegurar que a porta abre e fecha em boas condições.



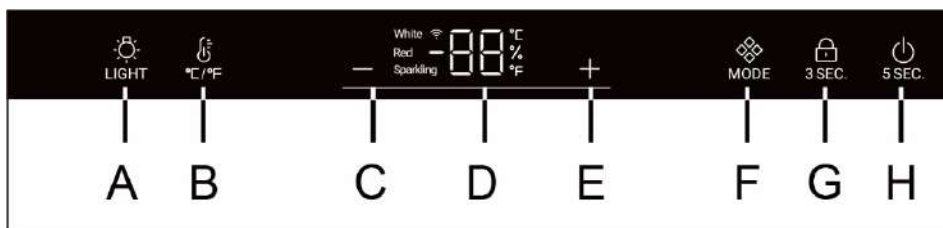
1. Antes da primeira utilização

- ▶ Remover todos os materiais de embalagem. Isto inclui a base de espuma e todas as fitas adesivas que fixam os acessórios da cave de vinhos no interior e no exterior da mesma. Manter todos os materiais de embalagem fora do alcance das crianças e eliminá-los de forma ecológica.
- ▶ Limpar o interior e exterior do aparelho com água e um detergente suave antes de lá colocar qualquer vinho.
- ▶ Depois do aparelho ter sido nivelado e limpo, esperar pelo menos 2 horas antes de o ligar à fonte de alimentação. Se a sua cave de vinhos tiver sido inclinada por qualquer razão, deve aguardar 24 horas antes de a voltar a ligar. Consultar a secção INSTALAÇÃO.
- ▶ Depois de ter ligado a unidade a uma tomada elétrica, deve deixar que a mesma funcione durante pelo menos 30 minutos para se aclimatar antes de fazer quaisquer ajustes.
- ▶ A temperatura é automaticamente definida para 12 °C se pretendido, pode alterar a temperatura manualmente. Deve consultar TEMPERATURA.

2. Teclas táteis

Os botões no painel de controlo são teclas táteis, que respondem quando lhes toca suavemente com o dedo.

3. Descrição do painel de controlo



A Botão da lâmpada interior
 B Botão de conversão °C /°F
 C Botão de regulação da temperatura:diminuir
 D Visor

E Botão de regulação da temperatura:aumentar
 F Botão modo
 G Botão de bloqueio
 H Botão de alimentação

4. Função de bloqueio automático

O painel de controlo bloqueia automaticamente após 30 segundos quando premir qualquer tecla para a ativar, o acende. Para ativar o bloqueio das teclas, premir o botão durante 3 segundos, quando bloqueado o LED de retroiluminação ficará obscuro. Botão " não está bloqueado.

5. Função do botão de alimentação

Prima o botão H durante 5 segundos, a garrafeira desliga-se.
 Em seguida, prima o botão H durante 5 segundos, a garrafeira liga-se.

6. Definição da temperatura



Observação

Predefinições

- ▶ Depois de ter ligado a unidade a uma tomada elétrica, deve deixar que a mesma funcione durante pelo menos 30 minutos para se aclimatar antes de fazer quaisquer ajustes.
- ▶ Quando o aparelho é ligado depois de ser desligado da fonte de alimentação elétrica, pode levar algumas horas para obter as temperaturas corretas. O tempo exato varia dependendo do ambiente e da definição da temperatura.



Premir o botão ou , o visor irá começar a ficar intermitente. Premir o botão ou Para definir a temperatura desejada. A definição da temperatura é entre: 5-20 °C (41-68 °F). Parar de premir a tecla durante 3 segundos, a temperatura fica então confirmada.

7. Função modo

Premir o botão o interruptor da temperatura vai de brilhante (8°C ou 47°F) a branco (12°C ou 54°F) e vermelho (16°C ou 61°F).

Definições recomendadas de temperatura

As seguintes temperaturas de bebidas são recomendadas para os vários tipos de vinho.

Vinho tinto	+13°C a +20°C (+55°F a + 68°C)	Vinho espumante Prosecco	+5°C a +8°C (+41°F a + 47°F)
Vinho branco	+9°C a +12°C (+48°F a + +54°F)		

Se armazenar o vinho durante longos períodos de tempo, o mesmo deve ser armazenado a uma temperatura entre +10 °C e +12 °C (50 °F e +54 °F).

8. Modo em espera

O ecrã do visor é automaticamente obscurecido em 30 segundos.

Acende automaticamente quando premir qualquer tecla ou a porta for aberta.



Observação Influências sobre as temperaturas

A temperatura no interior do aparelho é influenciada pelos seguintes fatores:

- ▶ Temperatura ambiente
- ▶ Quantidade de garrafas guardadas
- ▶ Frequência de abertura da porta
- ▶ Localização do aparelho

A definição predefinida é 12 °C

Quando o visor deixa de estar intermitente, volta a mostrar a temperatura atual no interior da cave de vinhos.. Levará algum tempo a atingir a temperatura definida.

9. Definição do modo de luz

Premir o botão  LIGHT . Quando as luzes no armário estiverem acesas, as luzes serão acesas gradualmente. Quando o botão  LIGHT for premido novamente, as luzes irão apagar-se gradualmente.

10. Função °C/°F

Premir o botão  °C/°F , alternar entre Fahrenheit e Celsius.

11. Função de memória com alimentação desligada

Se houver uma interrupção de energia, a cave de vinhos irá automaticamente memorizar a temperatura definida. Depois de a energia ser retomada, a mesma irá funcionar à temperatura definida antes da interrupção da energia.

12. Função de compensação de temperatura baixa (exceto HWS49GAE, HWS66GGE)

A cave de vinhos tem uma função de compensação da temperatura baixa para assegurar a estabilidade da temperatura. Quando a temperatura inferior for inferior à temperatura definida, a cave de vinhos inicia automaticamente a função de compensação de temperatura baixa, aquecendo o aparelho. Quando a temperatura no aparelho atinge a temperatura definida, a função de compensação de temperatura baixa é automaticamente desligada.

13. Alarme de abertura da porta

Se a porta for mantida aberta durante mais de 1 minuto, começa a ouvir-se um alarme de bipe até a porta estar fechada ou qualquer tecla no painel do visor pode ser operada e depois o alarme deixa de emitir bipes.



Dicas de poupança de energia

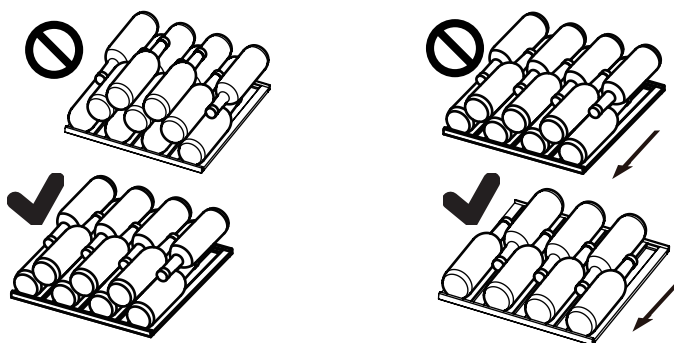
- ▶ Certifique-se de que o aparelho está devidamente ventilado (ver INSTALAÇÃO).
- ▶ Não instale o aparelho sob luz solar direta ou na proximidade de fontes de calor (por exemplo, fogões, aquecedores).
- ▶ Evite temperaturas desnecessariamente baixas no aparelho. O consumo de energia aumenta quanto menor for a temperatura no aparelho.
- ▶ Abra a porta do aparelho o mínimo e tão brevemente quanto possível.
- ▶ Não exceda a quantidade de garrafas prevista para evitar obstruir o fluxo de ar.
- ▶ Mantenha as vedações da porta limpas para que a porta feche sempre corretamente.
- ▶ A configuração mais energeticamente eficiente requer que as gavetas, a caixa e as prateleiras estejam posicionadas no aparelho como na condição de fresco de fábrica e os alimentos sejam colocados sem bloquear a saída de ar do duto

1. Prateleira


1. As prateleiras são destinadas a armazenamento fácil e a fácil remoção do vinho. Podem ser limpas com um pano macio.
2. As garrafas normais com diâmetro de 76 mm podem ser empilhadas.
3. As garrafas maiores podem ser empilhadas na prateleira inferior.
4. A quantidade pode variar do número representado ou das garrafas se as mesmas forem empilhadas de forma diferente.

Aconselhamento para a organização da sua cave de vinhos.

Recomendamos que o número de garrafas de vinho não exceda duas camadas em cada prateleira e a capacidade de carga das prateleiras de vinho não deve exceder os 20 kg. Antes de substituir as garrafas no interior da cave de vinhos, confirmar se as prateleiras do vinho são ou não totalmente estáveis e adicionalmente confirmar se qualquer garrafa sai ou não para fora das prateleiras de modo a evitar que as garrafas toquem na porta de vidro quando a mesma é fechada.



2 Iluminação

A iluminação LED interior acende quando a porta é aberta. Para acender a iluminação enquanto a porta está fechada, tocar no botão . Para apagar a iluminação, tocar novamente no botão. Para aumentar a eficiência energética, as lâmpadas devem ser desligadas quando a cave de vinhos não está a ser observada.

3 Bloqueio

Para bloquear a cave de vinhos, fechar a porta e colocar a chave no fecho:

- ▶ Bloquear a porta rodando a chave no sentido anti-horário;
- ▶ Desbloquear a porta rodando a chave no sentido horário;

1. Descongela

O descongelamento da cave de vinhos é feito automaticamente; não é necessária qualquer operação manual.

2 Substituir a lâmpada LED

A lâmpada adota LED como a sua fonte de luz, apresentando baixo consumo de energia e longa vida útil. Se houver alguma anormalidade, deve contactar o serviço de apoio ao cliente. Consultar SERVIÇO APOIO AO CLIENTE.



ADVERTÊNCIA!

Não substituir a lâmpada de forma autónoma. Deve apenas ser substituída pelo fabricante ou por agente de assistência autorizado.

Parâmetros da lâmpada LED:

Tensão 12V; Potência máx: 8W (para HWS84GA e HWS49GNF, HWS66GGE)

Tensão 12 V; Potência máx: 5 W (para HWS49GAE e HWS49GA)

3. Não utilização por período mais longo

Desligar o cabo de alimentação.

Limpar o aparelho e os vedantes da porta como descrito acima.

Manter a porta aberta para evitar a criação de maus cheiros no interior.

4. Deslocar o aparelho

1. Retirar todas as garrafas e desligar o aparelho.
2. Fixar prateleiras e outras peças móveis na cave de vinhos com fita adesiva.
3. Não inclinar a cave de vinhos mais de 45° para evitar danificar o sistema de refrigeração.

5. Permuta de ar com filtro de carvão ativado

A forma na qual os vinhos continuam a maturar depende das condições ambientais.

A qualidade do ar é portanto decisiva para conservar o vinho. Foi instalado um filtro de carvão ativado na zona inferior da parede traseira do aparelho para que o desempenho do mesmo se mantenha numa qualidade ótima.



Observação

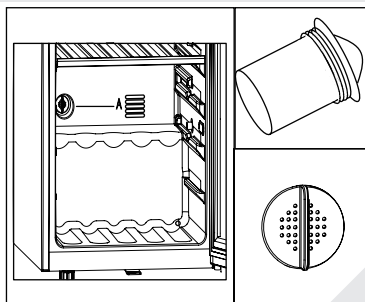
Recomendamos que o filtro seja substituído uma vez por ano. Os filtros podem ser obtidos no seu distribuidor.

Substituir o filtro

Segurar o filtro com a mão. Rodar a mesma para a esquerda e remover.

Inserir o filtro.

Inserir com a pega numa posição vertical. Rode-a para a direita e inserir.



Muitos problemas ocorridos podem ser resolvidos por si sem conhecimento específico. No caso de um problema, deve verificar todas as possibilidades mostradas e seguir as instruções abaixo antes de contactar um serviço pós-venda. Consultar SERVIÇO AO CLIENTE.

ADVERTÊNCIA!

- ▶ Antes da manutenção, desativar o aparelho e desligar a ficha de alimentação da tomada de rede.
- ▶ Equipamento elétrico deve ser assistido apenas por técnicos em eletricidade qualificados, porque reparações inapropriadas podem causar danos consequenciais consideráveis.
- ▶ Um cabo de alimentação danificado apenas deve ser substituído pelo fabricante, pelo seu agente de assistência ou uma pessoa igualmente qualificada de modo a evitar algum perigo.

Erro código	Causa	Solução
rH	A temperatura está muito alta.	Entre em contato com nosso pós-venda serviço.
rL	A temperatura está muito baixa.	Por favor, verifique a temperatura ambiente deve estar entre 10 °C e 38 °C.

Problema	Causa Possível	Solução Possível
O compressor não funciona.	<ul style="list-style-type: none"> A ficha de alimentação não está ligada à tomada elétrica. 	<ul style="list-style-type: none"> Ligar a ficha de alimentação.
O aparelho funciona frequentemente ou funciona por um longo período de tempo.	<ul style="list-style-type: none"> A temperatura exterior é demasiado elevada. O aparelho esteve desligado por um longo período de tempo. Uma porta do aparelho não está fechada hermeticamente. Uma porta foi aberta demasiado frequentemente ou durante muito tempo. Os vedantes da porta estão sujos, desgastados, fendidos ou desajustados. A circulação de ar necessária não está garantida. A temperatura está definida demasiado baixa. 	<ul style="list-style-type: none"> Neste caso, é normal que o aparelho funcionar mais tempo. Normalmente, demora alguns instantes até o aparelho arrefecer completamente. Fechar a porta e assegurar que o aparelho está colocado num piso nivelado e não há alimento ou recipiente a vibrar na porta. Não abrir as portas com demasiada frequência. Limpar o vedante da porta ou substituí-lo através do serviço ao cliente. Assegurar ventilação adequada. O problema será resolvido automaticamente quando a temperatura pretendida tiver sido atingida.
O interior da cave de vinhos está sujo E/ou tem odor.	<ul style="list-style-type: none"> O interior da cave de vinhos precisa de limpeza. 	<ul style="list-style-type: none"> Limpar o interior da cave de vinhos.
Não está frio suficiente no interior do aparelho.	<ul style="list-style-type: none"> A temperatura está definida demasiado elevada. As garrafas foram adicionadas recentemente. Uma porta do aparelho não está fechada hermeticamente. Uma porta foi aberta demasiado frequentemente ou durante muito tempo. Os vedantes da porta estão sujos, desgastados, fendidos ou desajustados. 	<ul style="list-style-type: none"> Reiniciar a temperatura. Deve permitir tempo para que as garrafas adicionadas recentemente atinjam a temperatura pretendida. Fechar a porta. Não abrir as portas com demasiada frequência. Limpar o vedante da porta ou substituí-lo através do serviço ao cliente.
Está demasiado frio no interior do aparelho.	<ul style="list-style-type: none"> A temperatura está definida demasiado baixa. 	<ul style="list-style-type: none"> Reiniciar a temperatura.
Formação de humidade no interior do compartimento frigorífico.	<ul style="list-style-type: none"> O clima é demasiado quente e demasiado húmido. Uma porta do aparelho não está fechada hermeticamente. Uma porta foi aberta demasiado frequentemente ou durante muito tempo. 	<ul style="list-style-type: none"> Aumentar a temperatura. Fechar a porta. Não abrir a porta/gaveta com demasiada frequência.

Problema	Causa Possível	Solução Possível
Acumulação de humidade na superfície exterior da cave de vinhos .	<ul style="list-style-type: none"> • O clima é demasiado quente e demasiado húmido. • A porta não está firmemente fechada. O ar frio no aparelho e o ar quente exterior condensa-o. 	<ul style="list-style-type: none"> • Isto é normal num clima húmido e mudará quando a humidade diminuir. • Assegurar que a porta é firmemente fechada e que os vedantes vedam adequadamente.
O aparelho faz um som anormal	<ul style="list-style-type: none"> • O aparelho não está colocado num piso nivelado. • O aparelho está a tocar em algum objeto à sua volta. 	<ul style="list-style-type: none"> • Ajustar os pés para nivelar o aparelho. • Remover objetos à volta do aparelho.
Um som ligeiro é para ser ouvido semelhante a água a fluir.	<ul style="list-style-type: none"> • Isto é normal 	<ul style="list-style-type: none"> • -
A iluminação interior ou o sistema de arrefecimento não funciona.	<ul style="list-style-type: none"> • A ficha de alimentação não está ligada à tomada elétrica. • A fonte de alimentação não está intata. • A lâmpada LED está fora de serviço. 	<ul style="list-style-type: none"> • Ligar a ficha de alimentação. • Verificar o fornecimento de alimentação à divisão. Contactar a empresa local de eletricidade. • Deve contactar a assistência para substituição.
Os lados do aparelho e a junta isolante da porta ficam quentes.	<ul style="list-style-type: none"> • Isto é normal. 	<ul style="list-style-type: none"> • -
A porta não fecha adequadamente.	<ul style="list-style-type: none"> • O aparelho não está nivelado. • A porta está bloqueada. 	<ul style="list-style-type: none"> • Nivelar o aparelho com os pés de nivelamento. • Verificar se há obstruções provocadas por garrafas ou por prateleiras.

Para entrar em contato com a assistência técnica, visite nosso site:

<https://corporate.haier-europe.com/en/> . Na seção "website", escolha a marca do seu produto e o seu país. Você será redirecionado para o site específico onde poderá encontrar o número de telefone e formulário para entrar em contato com a assistência técnica

Ficha do produto em conformidade com regulamento da UE No. 2019/2016

Marca	Haier	Haier	Haier
Nome do modelo / identificador	HWS49GA /HWS49GAE	HWS84GNF	HWS84GA /HWS66GGE
Categoria	Cave de Vinho	Cave de Vinho	Cave de Vinho
Categoria de refrigeração doméstica	I	I	I
Classe de eficiência energética	F	F	G
Consumo de energia anual (kWh/ano) ¹⁾	104	110	149/153
Volume de armazenagem (L)	116/118	198	198
Classe climática Este aparelho é destinado a ser usado a uma temperatura ambiente entre 10 °C e 38 °C.	SNNST	SNNST	SNNST
Emissões de ruído acústico aéreo (db(A) re 1pW)	C(37)	C(37)	C(37)
Tipo de aparelho	Instalação livre	Instalação livre	Instalação livre
Este aparelho é destinado a ser usado exclusivamente para armazenamento de vinhos.	Sim	Sim	Sim
Dimensões (P/L/A em mm)	585/497/820	585/497/1270	585/497/1270

Explicações:

1) com base nos resultados do teste padrão durante 24 horas. O consumo real de energia depende do ambiente real, da quantidade de garrafas, da temperatura ajustada, da abertura e fecho da porta, etc.

2) O consumo nominal de energia é o valor obtido de acordo com o ensaio normal quando o armário de vinhos não acende a luz interna.

—temperada alargada: «Este aparelho de refrigeração destina-se a ser utilizado a temperaturas ambientes compreendidas entre 10 °C e 32 °C»;

—temperada: «Este aparelho de refrigeração destina-se a ser utilizado a temperaturas ambientes compreendidas entre 16 °C e 32 °C»;

—subtropical: «Este aparelho de refrigeração destina-se a ser utilizado a temperaturas ambientes compreendidas entre 16 °C e 38 °C»;

—tropical: «Este aparelho de refrigeração destina-se a ser utilizado a temperaturas ambientes compreendidas entre 16 °C e 43 °C»;

Normas e Diretivas **CE**

Este produto cumpre os requisitos de todas as diretivas CE aplicáveis com as normas harmonizadas correspondentes, previstas pela marca CE.

Recomendamos o nosso Serviço ao Cliente Haier e a utilização de peças de substituição originais.

Se tiver um problema com o seu aparelho, deve verificar primeiro a secção RESOLUÇÃO DE PROBLEMAS.

Se não conseguir encontrar uma solução lá, deve contactar

▶ o seu revendedor local ou

▶ A área de Reparação e Apoio em www.haier.com onde pode encontrar os números de telefone e as Perguntas Frequentes e onde pode ativar um pedido de assistência.

Para contactar o nosso Serviço, assegurar que tem os seguintes dados disponíveis.

A informação pode ser encontrada na placa de características.

Modelo _____ N° de série: _____

Verificar também o Cartão de Garantia fornecido com o produto em caso de garantia.

Para pedidos gerais de negócios abaixo indicamos os nossos endereços na Europa:

Endereços europeus da Haier

País*	Endereço postal	País	Endereço postal
Itália	Haier Europe Trading SRL Via De Cristoforis, 12 21100 Verese ITALY	França	Haier France SAS 3-5 rue des Graviers 92200 Neuilly sur Seine FRANCE
Espanha Portugal	Haier Iberia SL Pg. Garcia Faria, 49-51 08019 Barcelona SPAIN	Bélgica-FR Bélgica-PB Países Baixos Luxemburgo	Haier Benelux SA Anderlecht Route de Lennik 451 BELGIUM
Alemanha Áustria	Haier Deutschland GmbH Hewlett-Packard-Str. 4 D-61352 Bad Homburg GERMANY	Polónia República Checa Hungria Grécia Roménia Rússia	Haier Poland Sp. zo.o. Al. Jerozolimskie 181B 02-222 Warszawa POLAND
Reino Unido	Haier Appliances UK Co. Ltd. One Crown Square Church Street East Woking, Surrey, GU21 6HR UK		

DISPONIBILIDADE DE PEÇAS DE REPOSIÇÃO

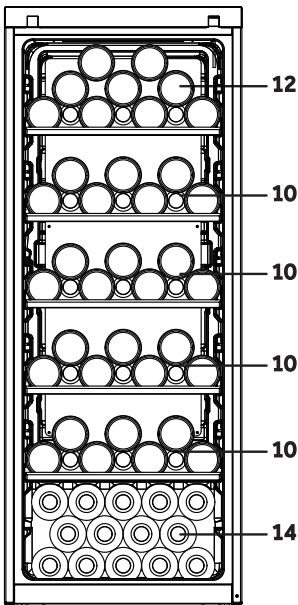
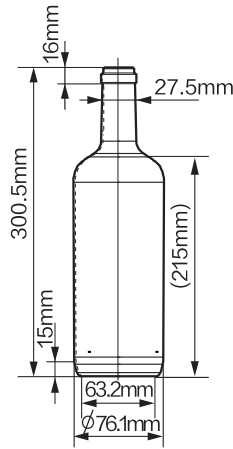
Termóstatos, sensores de temperatura, placas de circuito impresso e fontes de luz, por um período mínimo de sete anos após a colocação no mercado da última unidade do modelo em causa;

peças de porta, dobradiças de porta, tabuleiros e cestos por um período mínimo de sete anos e vedantes de porta por um período mínimo de dez anos, após a colocação no mercado da última unidade do modelo em causa

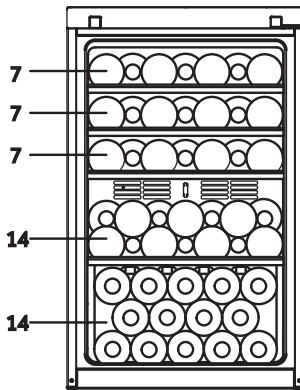
GARANTIA

A garantia mínima é: 2 anos para os países da UE, 3 anos para a Turquia, 1 ano para o Reino Unido, 1 ano para a Rússia, 3 anos para a Suécia, 2 anos para a Sérvia, 5 anos para a Noruega, 1 ano para Marrocos, 6 meses para a Argélia, Tunísia nenhuma garantia legal necessária."

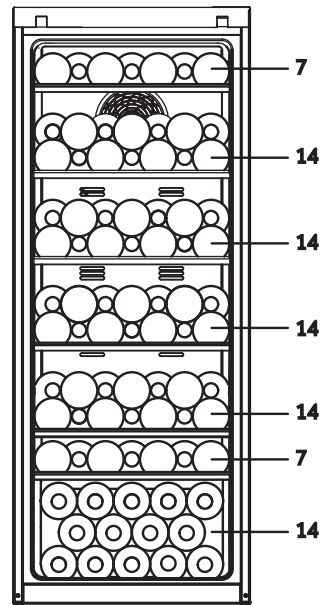
Para mais informações sobre o produto, consulte <https://eprel.ec.europa.eu/> ou digitalize o QR na etiqueta de energia fornecida com o aparelho



(66)
HWS66GGE



(49)
HWS49GA
HWS49GAE



(84)
HWS84GA
HWS84GNF

HWS-84GA-49GA-49GAE-84GNF-66GGE-PT

Haier



Gebruikershandleiding

Wijnkelder

HWS84GA

HWS84GNF

HWS49GA

HWS49GAE

HWS66GGE

NL

Haier

Dank u voor uw aankoop van dit Haier product.

Lees deze handleiding grondig voor u het apparaat in gebruik neemt. De handleiding bevat belangrijke informatie die u zal helpen uw apparaat optimaal te gebruiken en het veilig en correct te installeren, gebruiken en onderhouden.

Bewaar deze handleiding zodat u hem steeds kunt raadplegen voor het veilig en correct gebruik van het apparaat.

Als u het apparaat verkoopt, wegschenkt, of achterlaat wanneer u verhuist, moet u deze handleiding ook meegeven zodat de nieuwe eigenaar vertrouwd kan raken met het apparaat en de veiligheidswaarschuwingen.



Legende

Waarschuwing - Belangrijke veiligheidsinformatie



Algemene informatie en tips



Milieu-informatie



Verwijdering

Help het milieu en de gezondheid te beschermen. Plaats de verpakking in de geschikte containers om het te recyclen. Help afval van elektrische en elektronische apparaten recyclen. Gooi apparaten die voorzien zijn van dit symbool niet weg met huishoudelijk afval. Retourneer het product naar uw lokale instelling of neem contact op met uw gemeentelijk kantoor.



WAARSCHUWING!

Risico op letsels of verstikking!

Koelmiddelen en gassen moeten door professionals worden verwijderd. Zorg ervoor dat de leiding van het koelcircuit niet beschadigd is voor het correct verwijderd wordt. Ontkoppel het apparaat van het netwerk. Snijd het netsnoer door en verwijder het. Verwijder de lading, de sleuven en de scharnieren en afdichtingen om te vermijden dat kinderen of huisdieren in het apparaat vastgeklemd kunnen raken.

Oude apparaten hebben nog steeds een zekere restwaarde. Een milieuvriendelijke methode van verwijdering zorgt ervoor dat de waardevolle grondstoffen kunnen worden gerecupereerd en opnieuw gebruikt.

Cyclopentaan, een brandbare stof die niet schade is voor ozon wordt gebruikt als een expander voor het isolerende schuim.

Door ervoor te zorgen dat dit product correct wordt weggegooid, helpt u potentiële negatieve gevolgen te voorkomen voor het milieu en de volksgezondheid die anders kunnen worden veroorzaakt.

Voor meer gedetailleerde informatie over de recycling van dit product kunt u contact opnemen met uw lokale autoriteit, uw huishoudelijke afvalverwerkingsdienst of de winkel waar u het product hebt gekocht, gehanteerd door professionals.

Veiligheidsinformatie	4
Veiligheidstips	7
Onderhoud	11
Accessoires	13
Productbeschrijving	14
Installatie	15
Gebruik.....	18
Energiebesparing tips	21
Apparatuur	22
Zorg en reiniging.....	23
Probleemoplossen	24
Klantendienst	28
Wijnfles rekken.....	29

Dit apparaat is exclusief bedoeld voor de opslag van wijn. Voor u het apparaat de eerste maal inschakelt, moet u de volgende veiligheidstips lezen en naleven:



WAARSCHUWING!

Voor de eerste ingebruikname

- ▶ Zorg ervoor dat er geen schade is opgetreden tijdens het transport.
- ▶ Verwijder alle verpakking, houd ze uit de buurt van kinderen en verwijder ze op een milieuvriendelijke wijze.
- ▶ Wacht minimum twee uur voor u het apparaat monteert om zeker te zijn dat het koelcircuit correct en efficiënt werkt.
- ▶ Het apparaat moet altijd door minimum twee personen worden gedragen omdat het zo zwaar is.

Installatie

- ▶ Het apparaat moet in een goed geventileerde plaats worden geplaatst. Zorg ervoor dat er ten minste 10 cm boven en rond het apparaat aanwezig is.
- ▶ **WAARSCHUWING:** Houd de ventilatieopeningen, in de apparaat behuizing of de ingebouwde structuur, vrij van belemmeringen.
- ▶ Plaats het apparaat nooit in een vochtige zone of locatie waar het met water kan worden bespat. Reinig en droog waterspatten en vlekken met een zachte, schone doek.
- ▶ Installeer uw wijnkelder niet op een locatie die niet correcte geïsoleerd of verwarmd is, bijv. een garage, etc. Uw wijnkelder is niet ontworpen om te werken bij een kamertemperatuur van minder dan 10 °C.
- ▶ U mag het apparaat niet installeren in direct zonlicht of in de buurt van warmtebronnen (bijv. fornuizen, verwarming).
- ▶ Installeer en niveleer het apparaat in een ruimte die geschikt is voor de afmetingen en de toepassing van het apparaat.
- ▶ Zorg ervoor dat de elektrische informatie op het naamplaatje overeenstemt met de stroomtoevoer. Zo niet, moet u contact opnemen met een elektricien.
- ▶ Het apparaat wordt bediend met een 220-240 VAC/50 Hz voeding. Abnormale spanningen kunnen ertoe leiden dat het apparaat niet start of schade veroorzaken aan de temperatuurregeling of compressor, of er kan abnormaal lawaai ontstaan tijdens de werking. In dat geval moet een automatische regelaar worden gemonteerd.
- ▶ Gebruik geen multi-stekker adapters of verlengsnoeren.

**WAARSCHUWING!**

- ▶ **WAARSCHUWING:** Plaats geen meervoudige draagbare stekkers-stopcontacten of draagbare voedingen aan de achterzijde van het apparaat plaatsen.
- ▶ **WAARSCHUWING:** Wanneer u het apparaat plaatst, moet u ervoor zorgen dat het netsnoer niet geklemd of beschadigd wordt.
- ▶ Step niet op het netsnoer.
- ▶ Gebruik een afzonderlijke aardgeleider voor de voeding die eenvoudig toegankelijk moet zijn. Het apparaat moet geaard worden.
- ▶ **Enkel voor het VK:** Het netsnoer van het apparaat is uitgerust met een driepolige stekker (aarding) die past in een driepolige (geaarde) stekker. Snij de derde pin (aarding) nooit weg of demonteer ze niet. De stekker moet ook na de installatie toegankelijk zijn.
- ▶ **WAARSCHUWING:** Beschadig het koelmiddelcircuit niet.

Dagelijks gebruik

- ▶ Dit apparaat mag worden gebruikt door kinderen van 8 jaar en ouder en personen met een verminderde fysiek, gevoelsmatig en mentaal vermogen of een gebrek aan ervaring en kennis als ze onder toezicht staan of instructies krijgen met betrekking tot het veilige gebruik van het apparaat en de betrokken risico's.
- ▶ Kinderen mogen niet spelen met het apparaat.
- ▶ Kinderen van 3 tot 8 jaar oud mogen koelapparaten laden en lossen, maar zij mogen deze apparaten niet reinigen of installeren.
- ▶ Houd het apparaat uit de buurt van kinderen jonger dan 3 jaar oud tenzij ze onder constant toezicht staan.
- ▶ De reiniging en het onderhoud door de gebruiker mogen niet worden uitgevoerd zonder toezicht.
- ▶ Het apparaat moet zodanig worden gepositioneerd dat de stekker toegankelijk blijft.
- ▶ Als er een koelgaslek of ander ontvlambaar gaslek ontstaat in de buurt van het apparaat moet u de klep van het lekkend gas sluiten, de deuren en ramen openen en de stekker van het apparaat niet verwijderen.
- ▶ Wacht ten minste 7 minuten om de stroom opnieuw in te schakelen nadat de stroom werd uitgeschakeld.
- ▶ U mag het apparaat niet bij de handvaten dragen.
- ▶ De sleutels moeten uit de buurt van kinderen worden gehouden en niet in de buurt van het apparaat zodat kinderen zich niet in het apparaat kunnen vergrendelen.



WAARSCHUWING!

- ▶ Denk eraan dat het apparaat ingesteld is voor een werking binnen een specifiek temperatuurbereik van 10 tot 38°C. Het apparaat werkt mogelijk niet als het gedurende een langere periode aan hogere of lagere temperatuur wordt ingesteld.
- ▶ Plaats geen onstabiele artikelen (zware voorwerpen, containers gevuld met water) bovenop het apparaat om persoonlijke letsels te vermijden veroorzaakt door het vallen of door elektrische schokken door het contact met water.
- ▶ Open en sluit de deur enkel bij de handvaten. De opening tussen de deur en de kast is heel nauw. Plaats uw handen niet in deze zones om uw vingers niet te beknellen. Open of sluit de deur van het apparaat enkel als er geen kinderen binnen het bereik van de deur staan.
- ▶ Berg geen ontvlambaar, explosief of corrosief materiaal op in het apparaat of in de buurt.
- ▶ U mag geen explosieve stoffen opslaan zoals een aerosol met een ontvlambaar drijfgas in dit apparaat.
- ▶ Bewaar geen medicatie, bacteriën of chemische stoffen in het apparaat. Dit apparaat is een huishoudelijk apparaat. Het is niet aanbevolen materiaal te bewaren dat strikte temperaturen vereist.
- ▶ Stel geen nodeloos lage temperatuur in het wijnvak. Negatieve temperaturen kunnen optreden bij hoge instellingen. Opgelet: Flessen kunnen barsten
- ▶ Raak de binnenzijde van het apparaat niet aan als het in werking is, in het bijzonder als uw handen nat zijn, want uw handen kunnen vastvriezen aan het oppervlak.
- ▶ Voor een optimale koeling van uw wijn mag u het apparaat niet overladen.
- ▶ Verwijder de stekker uit het stopcontact in het geval van een stroomonderbreking of voor de reiniging. Laat het ten minste 7 minuten rusten voor u het apparaat opnieuw start, aangezien het regelmatig starten de compressor kan beschadigen.
- ▶ **WAARSCHUWING:** Gebruik geen elektrische apparaten in het apparaat, tenzij ze van het type zijn dat wordt aanbevolen door de fabrikant. Om risico's te vermijden, moet een beschadigd netsnoer worden vervangen door de klantendienst (zie garantiekaart).
- ▶ Om de levensduur van het apparaat te verlengen, moet u vermijden het uit te schakelen.
- ▶ Plaats het apparaat nooit horizontaal op de vloer. Als het apparaat meer dan 45° wordt gekanteld, moet u 24 uur wachten voor u de stekker opnieuw in het stopcontact steekt.



WAARSCHUWING!

Onderhoud & reinigen

- ▶ Zorg ervoor dat kinderen onder toezicht staan als ze het apparaat reinigen of onderhouden.
- ▶ Verwijder de stekker uit het stopcontact voor u onderhoudswerkzaamheden uitvoert. Wacht minimum 7 minuten voor u het apparaat opnieuw opstart aangezien het herhaaldelijk starten de compressor kan beschadigen.
- ▶ U mag nooit aan het netsnoer trekken om de stekker uit het stopcontact te verwijderen.
- ▶ Reinig het apparaat niet met harde borstels, draadborstels, oplospoeder, petroleum, amylicetaat, aceton en gelijkaardige organische oplossingen, zuur of alkalische oplossingen. Gebruik speciaal koelkast/diepvriezer reinigingsmiddel om schade te vermijden. Gebruik eventueel een oplossing van zuiveringszout in warm water - ca. een eetlepel zuiveringszout per liter water. Spoel daarna grondig af onder stromend water en droog af. Gebruik geen reinigingspoeders of schurende reinigingsproducten. Was de verwijderbare onderdelen niet in de vaatwasmachine.
- ▶ **WAARSCHUWING:** Gebruik geen mechanische apparaten of andere middelen om het ontdooiproces te versnellen behalve de middelen aanbevolen door de fabrikant.
- ▶ Als het netsnoer beschadigd is, moet het worden vervangen door de fabrikant, zijn onderhoudsdienst of dergelijk gekwalificeerde personen om ieder risico uit te sluiten.
- ▶ Probeer het apparaat nooit zelf te repareren. Neem contact op met onze klantendienst om reparaties te laten uitvoeren.
- ▶ Als de lamp beschadigd is, moet ze worden vervangen door de fabrikant, zijn onderhoudsdienst of dergelijk gekwalificeerde personen om ieder risico uit te sluiten.
- ▶ Verwijder het stof minimum een maal per jaar van de achterzijde van het apparaat om brandgevaar of een hoger energieverbruik te voorkomen.

- ▶ Spray niet op het apparaat of spoel het niet voor de reiniging.
- ▶ Gebruik geen waterspray of stoom om het apparaat te reinigen.
- ▶ Reinig de koude glazen deuren niet met warm water. Plotse temperatuurwijzigingen kunnen het glas doen breken.
- ▶ Als u het apparaat buiten gebruik laat gedurende een lange periode moet u de deur openen om onaangename geurtjes te vermijden.

Koelgasinformatie



WAARSCHUWING!

Het apparaat bevat het ontvlambare koelmiddel ISOBUTHAAN (R600a). Zorg ervoor dat het koelcircuit niet beschadigd is tijdens het transport of de installatie. Lekkend koelmiddel kan letsels veroorzaken aan de ogen of ontvlammen. Als er schade optreedt, moet u het uit de buurt van open vlammen houden, de ruimte grondig ventileren, de netsnoeren **niet** verwijderen uit of invoeren in stopcontact. Licht de klantendienst in.

Als uw ogen in contact komen met het koelmiddel moet u onmiddellijk spoelen in stromend water en onmiddellijk contact opnemen met uw oogspecialist.

WAARSCHUWING: Het koelsysteem staat onder hoge druk. U mag er niet mee knoeien. Aangezien er brandbare stoffen worden gebruikt, moet u het apparaat strikt installeren, hanteren en onderhouden volgens de instructies en roep een professionele vertegenwoordiger of de dienst na verkoop in om het apparaat te verwijderen.

Beoogd gebruik.

Dit apparaat is bedoeld voor huishoudelijk gebruik en gelijkaardige toepassingen zoals

- personeelskeuken in winkels, kantoren en andere professionele omgevingen,
 - boerderijen en door klanten in hotels, motels en andere residentiële omgevingen
 - bed and breakfast omgevingen;
 - catering en gelijkaardige niet-kleinhandel toepassingen.
- Om zeker te zijn dat wijn correct wordt bewaard, moet u de gebruiksaanwijzingen volgen.
- De details van het meest geschikte onderdeel in het compartiment van het apparaat waar specifieke types etenswaren worden opgeslagen, rekening houdend met de distributie van temperatuur die aanwezig kan zijn in de verschillende compartimenten van het apparaat, staan in het andere deel van de handleiding.

Wijzigingen aan het apparaat zijn niet toegelaten. Onbedoeld gebruik kan gevaar en het verlies van de garantie betekenen.

Verwijdering



Het symbool  op het product of op de verpakking wijst erop dat dit product niet als huishoudelijk afval mag behandeld worden. In plaats daarvan moet het aan het verzamelpunt voor recycling van elektrisch en elektronische toestellen gegeven worden. Door ervoor te zorgen dat dit product correct wordt weggegooid, helpt u potentiële negatieve gevolgen voor het milieu en de volksgezondheid die het gevolg kunnen zijn van de ongeschikte afvalverwerking van dit product. Voor meer gedetailleerde informatie over de recycling van dit product kunt u contact opnemen met uw lokale autoriteit, uw huishoudelijke afvalverwerkingsdienst of de winkel waar u het product hebt gekocht.

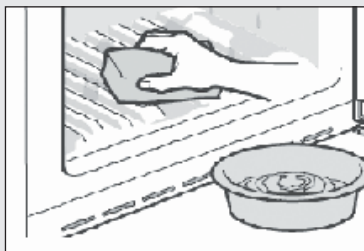
Aangezien brandbare isolerende blaasgassen worden gebruikt, moet u contact opnemen met de professionele vertegenwoordiger of onze dienst na verkoop om het apparaat te verwijderen.

WAARSCHUWING!

Risico op letsels of verstikking!

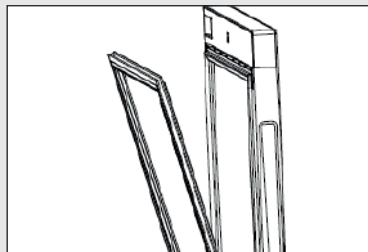
Koelmiddelen en gassen moeten door professionals worden verwijderd. Zorg ervoor dat de leiding van het koelcircuit niet beschadigd is voor het correct verwijderd wordt. Ontkoppel het apparaat van het netwerk. Snijd het netsnoer door en verwijder het. Verwijder de laden, de sleuven en de scharnieren en afdichtingen om te vermijden dat kinderen of huisdieren in het apparaat vastgeklemd kunnen raken

- ▶ **WAARSCHUWING:** Ontkoppel het apparaat van het elektrisch net voor de reiniging.
- ▶ Reinig het apparaat niet met harde borstels, draadborstels, wasmiddel in poedervorm, petroleum, amyacetaat, aceton en gelijkaardige organische oplossingen, zuur of alkalische oplossingen. Gebruik speciaal koelkast reinigingsmiddel om schade te vermijden.
- ▶ Reinig het apparaat met slechts een beetje of geen wijn in het compartiment. Het is enkel noodzakelijk het te reinigen als het vuil is.
- ▶ Reinig de binnenzijde en de behuizing van het apparaat met een spons in warm water en een neutraal reinigingsmiddel.
- ▶ Spoel met zuiver warm water en droog met een zachte doek.
- ▶ U mag geen van de onderdelen van het apparaat wassen in de vaatwasmachine.
- ▶ Laat het apparaat minimum 7 minuten rusten voor u het apparaat herstart want dit kan de compressor beschadigen.



Reinig de deurpakking.

- ▶ De deurpakkingen moeten elke drie maanden worden gereinigd om een correcte afdichting te garanderen. Zoals hieronder: Verwijder: Neem de deurpakking vast en trek ze naar u toe in de richting van de pijl om de volledige deurpakking te verwijderen van de deur.



Dompel de borstel in water of alcohol van voedselkwaliteit. Reinig de deurpakking groef eerst door ze heen en weer te bewegen met de borstel. Wrijf daarna het oppervlak van de deurpakking schoon met een handdoek gedompeld in water of alcohol van voedselkwaliteit. Tot slot, was de deurpakking schoon en wrijf ze droog met een schone handdoek.

Installatie van de deurpakking na de reiniging:

Voor de installatie, zorg ervoor dat er geen water aanwezig is op de deurpakking. Voer de deurpakking in de groef en druk de deurpakking stevig van boven naar onder met de hand tot de volledige deurpakking is ingevoerd in de groef.

De rekken reinigen

- ▶ Alle rekken kunnen worden verwijderd om ze te reinigen.
- ▶ Verwijder alle flessen.
- ▶ Til elk rek een beetje omhoog en trek ze uit het apparaat.
- ▶ Reinig het rek met een zachte doek
- ▶ Wacht tot de rekken droog zijn voor u ze terug plaatst.

WAARSCHUWING:

Wacht ten minste 7 minuten om de stroom opnieuw in te schakelen nadat de stroom werd uitgeschakeld.

Controleer de accessoires en literatuur op basis van de onderstaande lijst.

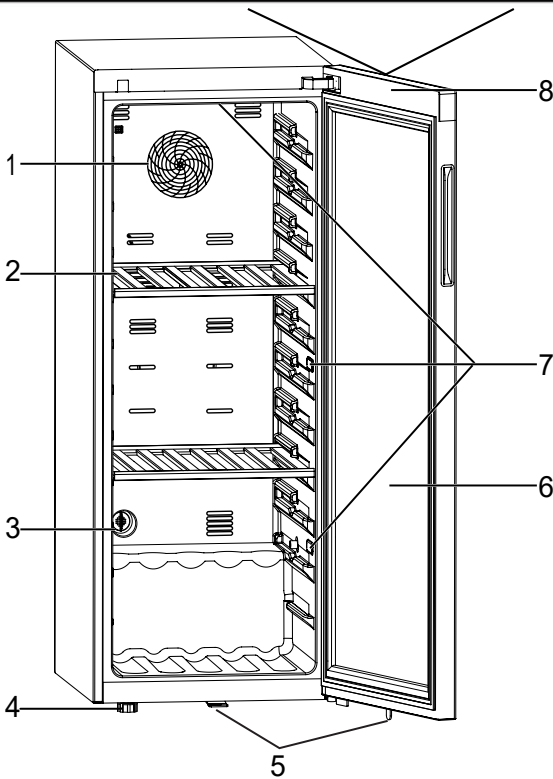
Naam	Gebruikershandleiding	Onderhoudskaart	Rek	Kleinrek	Scharnierafdekking	Energielabel	Sleutel	Linkse kam van de deurhandleiding
HWS84GA	1	1	6	1	1	1	2	2
HWS84GNF	1	1	6	1	1	1	2	2
HWS49GA	1	1	4	1	1	1	2	2
HWS49GAE	1	1	4	/	/	1	/	/
HWS66GGE	1	1	5	/	/	1	2	/



Opgelet

Omwille van technische wijzigingen en uiteenlopende modellen kunnen de illustraties in deze handleiding verschillen van uw model.

Afbeelding van het apparaat



- | | |
|--|-------------------------------------|
| 1. Ventilator (behalve HWS49GAE, HWS66GGE) | 5. Vergrendeling (behalve HWS49GAE) |
| 2. Rek | 6. Deur |
| 3. Actieve koolstof filter | 7. LED lamp |
| 4. Instelbare voetjes | 8. Scherm (vooraan op de deur) |

1. Uit de verpakking verwijderen

- ▶ Verwijder het apparaat uit de verpakking.
- ▶ Verwijder al het verpakkingsmateriaal, inclusief de schuimbasis en de plakband van de accessoires.

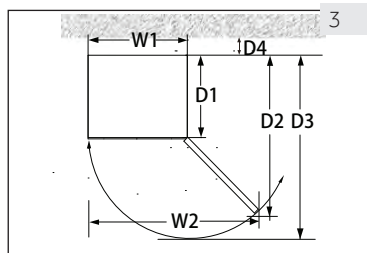
2. Milieuomstandigheden

De kamertemperatuur moet altijd tussen 10 °C en 38 °C zijn aangezien het de temperatuur in het apparaat en het energieverbruik kan beïnvloeden. Installeer het apparaat niet in de buurt van warmte-uitstralende apparaten (ovens, koelkasten) zonder isolatie.

3. Plaatsvereisten

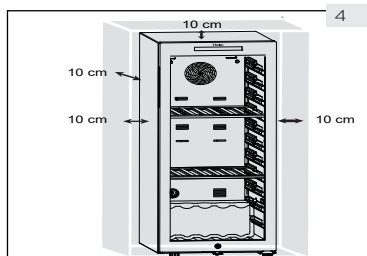
Vereiste ruimte om de deur te openen (Afb. 3):

Breedte in mm		Diepte in mm			Afstand met de muur in mm
W1	W2	D1	D2	D3	D4
495	630	535	1033	1047	100



4. Ventilatie ruimte

Uit veiligheids- en energieverbruik overwegingen moet de vereiste ventilatie afstand van 10 cm in alle richtingen worden gerespecteerd (Afb. 4).



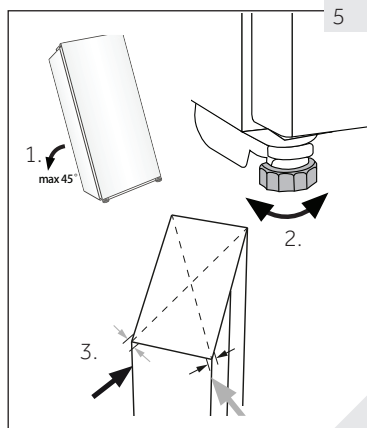
WAARSCHUWING!

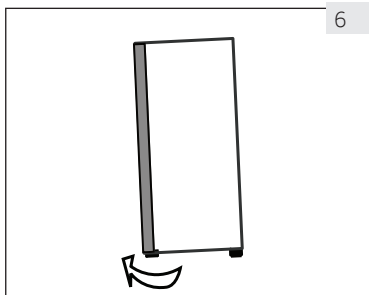
- ▶ Houd de ventilatieopeningen in het apparaat of de ingebouwde structuur vrij van belemmeringen. Dit koelapparaat is niet bedoeld om te worden gebruikt als inbouwapparaat.

5. Het apparaat uitlijnen

Het apparaat moet op een vlakke en stevige ondergrond worden geplaatst.

1. Kantel de koelkast lichtjes naar achter (Afb. 5).
2. Stel de instelbare voet vooraan in op het gewenste niveau door er aan te draaien.
3. De stabiliteit kan worden gecontroleerd door zachtjes te kloppen op de diagonale hoeken. De lichte bewegingen moeten hetzelfde zijn in beide richtingen. Zo niet kan het kader vervormen; dit kan resulteren in lekken in de deuropakkingen. Een lage tendens naar achter vereenvoudigt het sluiten van de deur.





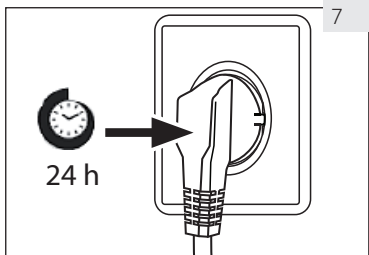
6

6. De deuren fijnafstemmen

Het apparaat sluit gemakkelijker als de voetjes vooraan worden gebruikt:

Draai aan de instelbare voet (afb. 6) om de voet omhoog of omlaag te draaien:

- ▶ Als u de voet rechtsom draait, verhoogt u het apparaat.
- ▶ Als u de voet linksom draait, verlaagt u het apparaat.



7

7. Wachtijd

De onderhoudsvrije smeerolie bevindt zich in de capsule van de compressor. Deze olie kan doorheen de afgesloten leidingen dringen als het apparaat gekanteld wordt tijdens transport. Voor u het apparaat aansluit op het elektrisch net moet u 24 uur (Afb. 7) wachten zodat de olie in de capsule kan stromen.

8. Elektrische aansluiting

Voor elke aansluiting moet u controleren of:

- ▶ het elektrisch net, stopcontact en de zekeringen overeenstemmen met de informatie op het naamplaatje.
- ▶ het stopcontact geaard is en geen multi-stekker of verlengsnoer is.
- ▶ de stekker en het stopcontact overeenstemmen.

Voer de stekker in een correct geïnstalleerd stopcontact bij u thuis.



WAARSCHUWING!

Om risico's te vermijden, moet een beschadigd netsnoer worden vervangen door de klantendienst (zie garantiekartaar).

9. Deur omkeerbaarheid (behalve HWS49GAE, HWS66GGE)

Voor u het apparaat aansluit op het elektrisch net moet u controleren of de zwaairichting van de deur moet gewijzigd worden van rechts (zoals geleverd) naar links als dit vereist is voor de locatie en het gebruik van de installatie.

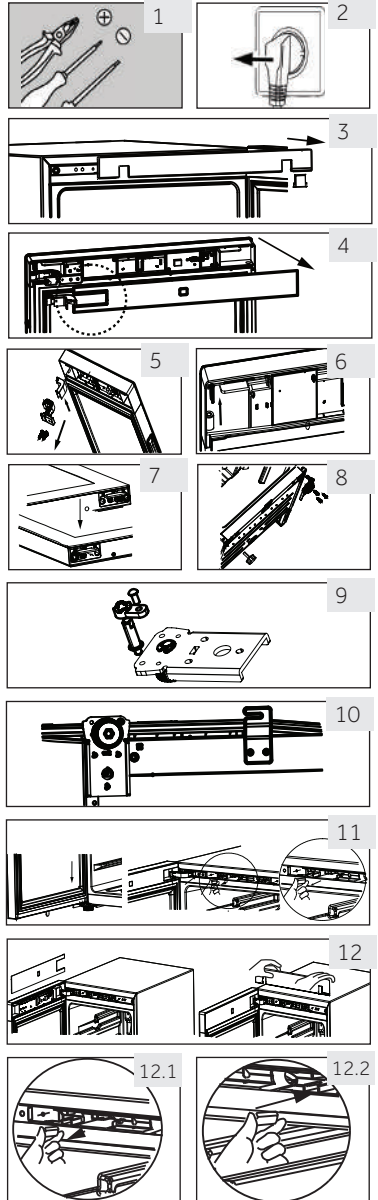


WAARSCHUWING!

- ▶ Het apparaat is zwaar. Het omkeren van de deur moet door twee personen worden uitgevoerd.
- ▶ Voor elke bewerking moet u eerst de stekker uit het stopcontact verwijderen.
- ▶ U mag het apparaat niet meer dan 45° kantelen om schade aan het koelsysteem te voorkomen.

Assemblage stappen (behalve HWS49GAE, HWS66GGE)

1. Gebruik de correcte werktuigen.
2. Verwijder de stekker uit het stopcontact.
3. Open de deur, verwijder de strip vooraan en zoek de overeenstemmende strip om de linkerkant te verwijderen en ze op de juiste plaats te monteren rechts van de opening.
4. Verwijder het netsnoer uit het stopcontact. Trek het bovenste deel van de deurafdichting weg en verwijder de strip achteraan op de deur (Verwijder uit de linker opening).
5. Verwijder 2 schroeven van de bovenste scharnier.
6. Verwijder het deksel en de scharnier, verwijder de as-afdekking en monteer ze op de andere zijde en installeer daarna de scharnier in de as.
7. Verwijder de kam en deurhouder, verplaats de deurhouder naar de andere zijde van de deur. Installeer de nieuwe kam van de geschenktaf.
8. Kantel de kast (minder dan 45°) en verwijder de onderste scharnier (3 schroeven als back-up).
9. Verwijder de kam van de onderste scharnier en scharnierstang. Installeer de as rechts van de onderste scharnier. Verwijder de kam uit de tas en monteer ze op de onderste scharnierstang.
10. Monteer de onderste scharnier en de onderste voet op de andere zijde van de kast. Smeer de kam.
11. Monteer de deur op de onderste scharnierstang en bevestig de bovenste scharnier met twee schroeven op de kast. Bevestig de signaaldraden in het midden van de bovenste scharniergroef en verwijder de afdekking van de scharnier in de tas en bevestig ze op de bovenste scharnier.
12. Monteer de deurafdichting en de deurstrip op de deur. Voeg het paar van de deur signaaldraden, verwijder de magnetische schakelaar (12.1) naar de rechtse montagesleuf van de bovenste balk (12.2) en bevestig de trim vooraan op de kast.
13. Zorg ervoor dat de deur correct kan openen en sluiten.



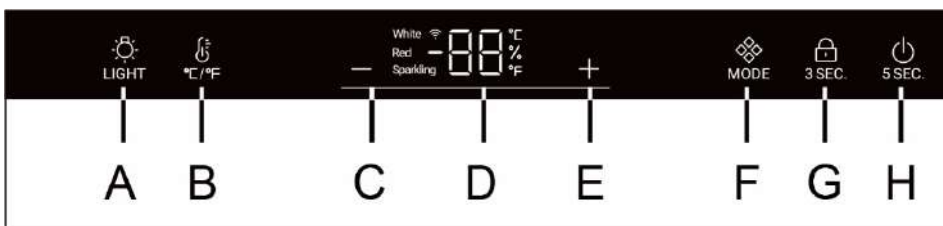
1. Voor de eerste ingebruikname

- ▶ Verwijder alle verpakkingsmateriaal. Dit omvat het schuim en de plakband waarmee de interne en externe wijnkelder accessoires bevestigd zijn op de koelkast. Houd ze buiten het bereik van kinderen en gooi ze weg op een milieuvriendelijke wijze.
- ▶ Reinig de binnen- en buitenzijde van het apparaat met water en een zacht reinigingsmiddel voor u er etenswaren in plaatst.
- ▶ Nadat het apparaat genivelleerd en gereinigd is, moet u minimum 2 uur wachten voor u het aansluit op het elektrisch net. Als uw wijnkelder om de een of andere reden gekanteld werd, moet u 24 uur wachten voor u de stekker invoert. Zie sectie **INSTALLATIE**.
- ▶ Zodra u de stekker van het apparaat in een stopcontact hebt gevoerd, moet u het gedurende minimum 30 minuten laten werken om te acclimatiseren voor u aanpassingen uitvoert.
- ▶ De temperatuur wordt automatisch ingesteld op 12°C. Indien gewenst kunt u de temperatuur handmatig wijzigen. Zie **TEMPERATUUR**.

2. Aanraaktoetsen

De knoppen op het bedieningspaneel zijn aanraaktoetsen die reageren als u ze licht aanraakt met de vinger.

3. Beschrijving van het bedieningspaneel



A Intern licht knop

B °C / °F conversieknop

C Temperatuur instelling knop:

omlaag

D Scherm

E Temperatuur instelling knop: omhoog

F Modus knop

G Toetsenvergrendeling knop

H Aan/Uit knop

4. Automatische vergrendeling

Het bedieningspaneel vergrendelt automatisch elke toets na 30 seconden

zodat ze niet kunnen worden ingedrukt.  Druk op de knop  gedurende 3 seconden

om de toetsenvergrendeling te activeren. Als de toetsen vergrendeld zijn, lichten de achtergrond led lampen dim op. Knop A is niet vergrendeld.

5. Aan/Uit knop

Druk 5 seconden lang op de knop H en de stroom van de wijnkelder wordt uitgeschakeld.

Druk daarna 5 seconden lang op de knop H en de wijnkelder wordt ingeschakeld.

6. Temperatuurinstelling

Opgelet


Voorinstellingen

- ▶ Zodra u de stekker van het apparaat in een stopcontact hebt gevoerd, moet u het gedurende minimum 30 minuten laten werken om te acclimatiseren voor u aanpassingen uitvoert.
- ▶ Als het apparaat wordt ingeschakeld na een uitschakeling van het elektrisch net kan het meerdere uren duren voor de correcte temperaturen worden bereikt. De exacte tijd varieert naargelang de omgeving en de temperatuurinstelling.



Druk op knop  of  en het scherm begint te knipperen. Druk op knop  of  om de gewenste temperatuur in te stellen. Het temperatuurinstelling bereik : 5-20°C (41-68°F). Druk de knop 3 seconden om de temperatuurinstelling te bevestigen.

7. Modusfunctie

Druk op de knop . De temperatuurschakelaar schakelt over van knipperen (8°C of 47°F) naar wit (12°C of 54°F) en rood (16°C of 61°F).

Aanbevolen temperatuurinstellingen

De volgende temperaturen worden aanbevolen voor het drinken van uiteenlopende soorten wijn.

Rode wijn	+13°C tot +20°C (+55°F tot + 68°C)	Schuimwijn, Prosecco	+5°C tot +8°C (+41°F tot + 47°F)
Witte wijn	+9°C tot +12°C (+48°F tot + +54°F)		

Als u wijn gedurende lange perioden opslaat, moet ze aan een temperatuur tussen +10°C en +12°C (50°F en +54°F) worden opgeslagen.

8. Stand-by modus

Het scherm wordt automatisch gedimd na 30 seconden.

Het licht automatisch op wanneer een toets wordt aangeraakt of als de deur wordt geopend.



Opgelet Invloeden op temperaturen



De temperatuur in het apparaat wordt beïnvloed door de volgende factoren:

- ▶ Omgevingstemperatuur
- ▶ Regelmaat van het openen van de deur
- ▶ Aantal opgeslagen flessen
- ▶ De locatie van het apparaat

De standaard temperatuurinstelling is 12°C

Als het scherm stopt met knipperen, schakelt het terug om de huidige temperatuur in de wijnkelder weer te geven. Het zal even duren voor de ingestelde temperatuur wordt bereikt.

9. Lichtmodus instelling

Druk op de knop  Als de lichten in de kast zijn ingeschakeld, lichten ze geleidelijk aan op. Als de knop  opnieuw wordt ingedrukt, schakelen de lichten geleidelijk uit.

10. °C/°F functie

Druk op de knop  , schakel tussen Fahrenheit en Celsius.

11. Geheugen uitschakelfunctie

In het geval van een stroompanne slaat de kelder automatisch de ingestelde temperatuur op. Als de stroom opnieuw is ingeschakeld, zal de koelkast werken met de temperatuur die voor de panne was ingesteld.

12. Lage temperatuur compensatiefunctie (behalve HWS49GAE, HWS66GGE)

De wijnkelder heeft een lage temperatuur compensatiefunctie om de stabiliteit van de temperatuur te garanderen: Als de omgevingstemperatuur lager is dan de ingestelde temperatuur start de wijnkelder de lage temperatuur compensatiefunctie automatisch op om de toepassing op te warmen. Als de temperatuur in de kelder de ingestelde temperatuur bereikt, schakelt de lage temperatuur compensatiefunctie automatisch uit.

13. Deur opening alarm

Als de deur langer dan 1 minuut wordt open gehouden, weerklinkt een geluidssignaal tot de deur gesloten wordt of men kan een toets indrukken op het bedieningspaneel om het geluidssignaal te stoppen.



Tips voor energiebesparing

- ▶ Zorg ervoor dat het apparaat goed wordt geventileerd (zie INSTALLATIE).
- ▶ Installeer het apparaat niet in direct zonlicht of in de buurt van warmtebronnen (bv. kachels, verwarmingstoestellen).
- ▶ Vermijd onnodig lage temperaturen in het apparaat. Het energieverbruik neemt toe naarmate de temperatuur in het apparaat lager is ingesteld.
- ▶ Open de deur van het apparaat zo weinig en zo kort mogelijk.
- ▶ Overschrijd de voorgeschreven hoeveelheid flessen niet, om te voorkomen dat de luchtstroom wordt belemmerd.
- ▶ Houd de deurafdichtingen schoon zodat de deur altijd goed sluit.
- ▶ De meest energiebesparende configuratie vereist dat lades, levensmiddelen en planken in het product worden geplaatst zoals in fabrieksverse toestand, en dat voedsel wordt geplaatst zonder de luchtuitlaat van het kanaal te blokkeren.

1. Rek

1. De rekken zijn ontworpen voor een eenvoudige opberging en gemakkelijke verwijdering van de wijn.

Ze kunnen worden gereinigd met een zachte doek.

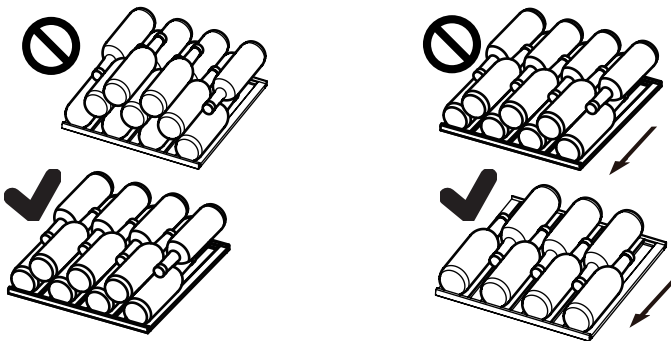
2. Normale flessen met een diameter van 76mm kunnen worden gestapeld.

3. Magnum flessen kunnen op de onderste lade worden gestapeld.


4. Het aantal kan variëren van het weergegeven aantal flessen als ze op een andere wijze worden gestapeld.

Advies voor de indeling van uw wijnkelder.

Wij raden aan niet meer dan twee lagen wijnflessen op elk rek te plaatsen en de laadcapaciteit van de wijnrekken mag niet hoger zijn dan 20kg. Voor u de flessen in de wijnkelder plaatst, moet u bevestigen dat de wijnrekken stabiel staan. U moet bovendien bevestigen dat er geen enkele fles uitsteekt uit de rekken om te voorkomen dat deze tegen het glas zou botsen wanneer de deur wordt gesloten.



2. Het licht

Het interne LED licht schakelt in wanneer de deur geopend is. Als u het licht wilt uitschakelen wanneer de deur is gesloten, kunt u de knop  aanraken. Om de lichten uit te schakelen, drukt u opnieuw op de knop. Om het energieverbruik te verminderen, moeten de lichten worden uitgeschakeld wanneer de wijnkelder niet wordt gebruikt.

3. Het slot

Om de wijnkelder te vergrendelen, sluit u de deur en plaatst u de sleutel in het slot:

- ▶ Vergrendel de deur door de sleutel in wijzerzin te draaien;
- ▶ Ontgrendel de deur door de sleutel tegen wijzerzin te draaien;

1. Ontdooien

De wijnkelder ontdooit automatisch; er is geen handmatige bewerking nodig.

2. De LED lamp vervangen

De lamp gebruikt de LED als haar lichtbron, met een laag energieverbruik en een lange levensduur. In het geval van een afwijking moet u contact opnemen met de klantendienst. Zie KLANTENDIENST.



WAARSCHUWING!

U mag de LED lamp niet zelf vervangen. Het mag enkel worden vervangen door de fabrikant of door een geautoriseerde service agent.

Parameters van de LED lamp

Spanning 12V; Max. vermogen: 8 W (voor HWS84GA en HWS84GNF, HWS66GGE))

Spanning 12V; Max. vermogen: 5W (voor HWS49GAE en HWS49GA)

3. Niet gebruikt gedurende een lange periode

Ontkoppel het netsnoer.

Reinig het apparaat en de deurpakkingen zoals hierboven beschreven.

Houd de deuren open om de onaangename geurtjes te voorkomen.

4. Het apparaat verplaatsen

1. Verwijder alle flessen en ontkoppel het apparaat.
2. Beveilig de rekken en andere bewegende onderdelen in de wijnkelder met plakband.
3. U mag de wijnkelder niet meer dan 45° kantelen om schade aan het koelsysteem te vermijden.

5. Luchtcirculatie met actieve koolstoffilter

De wijze waarop wijn blijft rijpen hangt af van de omgeving. De kwaliteit van de lucht speelt dus een beslissende rol om de wijn te bewaren. Een geactiveerde koolstoffilter is aangebracht in de onderste zone van de achterwand van het apparaat om restjes door te voeren aan een optimale kwaliteit.



Opgelet

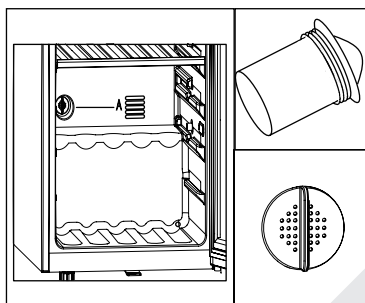
Wij raden aan het filter één maal per jaar te vervangen. Filters zijn verkrijgbaar bij uw verdeler.

Het filter vervangen:

Verwijder het filter bij het handvat. Draai het naar link en verwijder.

Het filter aanbrengen:

Voer in met het handvat in een verticale positie. Draai het naar rechts en voer het in.



Veel van de voorkomende problemen kunt u zelf oplossen zonder specifieke expertise. In het geval van een probleem moet u alle weergegeven mogelijkheden controleren en de onderstaande instructies volgen voor u contact opneemt met de dienst na verkoop. Zie KLANTENDIENST.

WAARSCHUWING!

- ▶ Voor ieder onderhoud moet u het apparaat uitschakelen en de stekker verwijderen uit het stopcontact.
- ▶ Elektrische apparaten mogen uitsluitend door gekwalificeerde elektrische experts worden onderhouden. Incorrecte reparaties kunnen aanzienlijke gevolgschade veroorzaken.
- ▶ Als het netsnoer beschadigd is, moet het worden vervangen door de fabrikant, zijn onderhoudsdienst of dergelijk gekwalificeerde personen om ieder risico uit te sluiten.

Foutcode	Cause	Oplossing
rH	De temperatuur is te hoog.	Neem dan contact op met onze dienst na verkoop.
rL	De temperatuur is te laag.	Controleer de omgevingstemperatuur moet tussen 10 ° C en 38 ° C liggen.

Probleem	Mogelijke oorzaak	Mogelijke oplossing
De compressor werkt niet.	<ul style="list-style-type: none"> De stekker is niet ingevoerd in het stopcontact. 	<ul style="list-style-type: none"> Voer de stekker in het stopcontact.
Het apparaat draait regelmatig of gedurende een te lange periode.	<ul style="list-style-type: none"> De buitentemperatuur is te hoog. Het apparaat is al een zekere periode uitgeschakeld. Een deur van het apparaat is niet stevig gesloten. De deur is te vaak of te lang geopend. De pakkingen van de deur zijn vuil, versleten, gebarsten of stemmen niet overeen. De vereiste luchtcirculatie is niet gegarandeerd. De temperatuur is te laag ingesteld. 	<ul style="list-style-type: none"> In dat geval is het normaal dat het apparaat langer draait. Het duurt gewoonlijk een tijdje tot het apparaat volledig afkoelt. Sluit de deur en zorg ervoor dat het apparaat op een vlakke ondergrond is geplaatst en dat er geen etenswaren of container de deur blokkeert. Open de deur niet te vaak. Reinig de pakking van de deur of laat ze vervangen door de klantendienst. Zorg voor voldoende ventilatie. Het probleem zal zichzelf oplossen wanneer de gewenste temperatuur wordt bereikt.
De binnenzijde van de wijnkelder is vuil en/of stinkt.	<ul style="list-style-type: none"> De binnenzijde van de wijnkelder moet worden gereinigd. 	<ul style="list-style-type: none"> Reinig de binnenzijde van de wijnkelder.
Het is onvoldoende koud in het apparaat.	<ul style="list-style-type: none"> De temperatuur is te hoog ingesteld. Er werden recent flessen toegevoegd. Een deur van het apparaat is niet stevig gesloten. De deur is te vaak of te lang geopend. De pakkingen van de deur zijn vuil, versleten, gebarsten of stemmen niet overeen. 	<ul style="list-style-type: none"> Stel de temperatuur opnieuw in. Gun de recent toegevoegde flessen de tijd om voldoende af te koelen. Sluit de deur. Open de deur niet te vaak. Reinig de pakking van de deur of laat ze vervangen door de klantendienst.
Het is te koud in het apparaat.	<ul style="list-style-type: none"> De temperatuur is te laag ingesteld. 	<ul style="list-style-type: none"> Stel de temperatuur opnieuw in.
Vochtvorming op de binnenzijde van het koelvak.	<ul style="list-style-type: none"> Het klimaat is te warm en te vochtig. Een deur van het apparaat is niet stevig gesloten. De deur is te vaak of te lang geopend. 	<ul style="list-style-type: none"> Verhoog de temperatuur. Sluit de deur. Open de deur/lade niet te vaak.

Probleem	Mogelijke oorzaak	Mogelijke oplossing
Vocht accumuleert op de buitenzijde van de wijnkelder.	<ul style="list-style-type: none"> • Het klimaat is te warm en te vochtig. • De deur is niet goed gesloten. De koude lucht in het apparaat en de warme lucht creëren condensatie. 	<ul style="list-style-type: none"> • Dit is normaal in een vochtig klimaat en zal veranderen wanneer de vochtigheidsgraad daalt. • Zorg ervoor dat de deur nauw gesloten is en dat de pakkingen correct afdichten.
Het apparaat maakt abnormale geluiden.	<ul style="list-style-type: none"> • Het apparaat staat niet op een vlakke ondergrond. • Het apparaat komt in contact met een aanpalend voorwerp. 	<ul style="list-style-type: none"> • Stel de voeten in om het apparaat te nivelleren. • Verwijder objecten rond het apparaat.
U moet een licht geluid horen, gelijkaardig aan dat van stromend water.	<ul style="list-style-type: none"> • Dit is normaal 	<ul style="list-style-type: none"> • -
De interne verlichting of het koelsysteem werkt niet.	<ul style="list-style-type: none"> • De stekker is niet ingevoerd in het stopcontact. • De voeding is niet intact. • De LED-lamp is defect. 	<ul style="list-style-type: none"> • Voer de stekker in het stopcontact. • Controleer de elektrische spanning naar de kamer. Raadpleeg de lokale elektriciteitsmaatschappij. • Bel de service voor de vervanging.
De zijkanten van de koeler en deurstrip kunnen warm worden.	<ul style="list-style-type: none"> • Dit is normaal. 	<ul style="list-style-type: none"> • -
De deur is niet correct gesloten,	<ul style="list-style-type: none"> • Het apparaat staat niet loodrecht. • De deur is geblokkeerd. 	<ul style="list-style-type: none"> • Nivelleer het apparaat met de nivellering voeten. • Controleer op blokkeringen zoals flessen of rekken.

Ga naar onze website om contact op te nemen met de technische ondersteuning: <https://corporate.haier-europe.com/en/>. Kies onder de sectie "website" het merk van uw product en uw land. U wordt doorgestuurd naar de specifieke website waar u het telefoonnummer en formulier kunt vinden om contact op te nemen met de technische assistentie

Productfiche conform regel EU Nr. 2019/2016

Merk	Haier	Haier	Haier
Modelnaam / identificatie	HWS49GA /HWS49GAE	HWS84GNF	HWS84GA /HWS66GGE
Categorie	Wijnkelder	Wijnkelder	Wijnkelder
Huishoudelijke koeling categorie	I	I	I
Energie efficiëntieklasse	F	F	G
Jaarlijks energieverbruik (kWh/jaar) 1)	104	110	149/153
Opslagvolume (L)	116/118	198	198
Klimaatklasse: Dit apparaat is bedoeld voor gebruik bij een omgevingstemperatuur e tussen 10°C en 38 °C .	SN N ST	SN N ST	SN N ST
Lucht gedragen akoestische geluid- semmissies (db(A) re 1pW)	C(37)	C(37)	C(37)
Type apparaat	Vrijstaand	Vrijstaand	Vrijstaand
Dit apparaat is uitsluitend bedoeld voor de opslag van wijn.	Ja	Ja	Ja
Afmetingen (H/B/D in mm)	585/497/820	585/497/1270	585/497/1270

Uitleg:

1) gebaseerd op de resultaten van de standaardtest gedurende 24 uur. Het werkelijke energieverbruik is afhankelijk van de werkelijke omgeving, het aantal flessen, de ingestelde temperatuur, het openen en sluiten van de deur, enz.

2) Het nominale energieverbruik is de waarde die volgens de standaardtest wordt verkregen wanneer de binnenverlichting van de wijnkast niet wordt ingeschakeld.

—uitgebreid gematigd: "dit koelapparaat is bedoeld voor gebruik bij omgevingstemperaturen van 10 °C tot 32 °C";

—gematigd: "dit koelapparaat is bedoeld voor gebruik bij omgevingstemperaturen van 16 °C tot 32 °C";

—subtropisch: "dit koelapparaat is bedoeld voor gebruik bij omgevingstemperaturen van 16 °C tot 38 °C";

—tropisch: "dit koelapparaat is bedoeld voor gebruik bij omgevingstemperaturen van 16 °C tot 43 °C";

Normen en richtlijnen

Dit product stemt overeen met de vereisten van alle toepasselijke EU-richtlijnen met de overeenstemmende geharmoniseerde normen die gelden voor de CE-markering.

We raden onze Haier klantendienst aan en het gebruik van originele reserveonderdelen. Als u een probleem ondervindt met uw apparaat moet u eerst de sectie PROBLEEMOPLOSSEN controleren.

Als u daar geen oplossing vindt, kunt u contact opnemen met

- uw lokale verkoper of
- de Onderhoud & Ondersteuning zone op www.haier.com waar u telefoonnummers en veelgestelde vragen kunt vinden en waar u uw service claim kunt activeren.

Wanneer u contact opneemt met onze service moet u de volgende informatie bij de hand hebben.

De informatie staat vermeld op het naamplaatje.

Model _____ Serienr. _____

Controleer ook het garantiokaartje dat wordt geleverd met het product met betrekking tot de garantie.

Voor algemene zakelijke vragen vindt u hieronder onze adressen in Europa:

Europese Haier adressen			
Land*	Postadres	Land	Postadres
Italië	Haier Europe Trading SRL Via De Cristoforis, 12 21100 Verese ITALIË	Frankrijk	Haier France SAS 3-5 rue des Graviers 92200 Neuilly sur Seine FRANKRIJK
Spanje Portugal	Haier Iberia SL Pg. Garcia Faria, 49-51 08019 Barcelona SPANJE	België-FR België-NL Netherlands Luxemburg	Haier Benelux SA Anderlecht Route de Lennik 451 BELGIË
Duitsland Oostenrijk	Haier Deutschland GmbH Hewlett-Packard-Str. 4 D-61352 Bad Homburg DUITSLAND	Polen Tsjechië Hongarije Griekenland Roemenië Rusland	Haier Poland Sp. zo.o. Al. Jerozolimskie 181B 02-222 Warszawa POLEN
Verenigd Koninkrijk	Haier Appliances UK Co. Ltd. One Crown Square Church Street East Woking, Surrey, GU21 6HR UK		

BESCHIKBAARHEID VAN RESERVEONDERDELEN

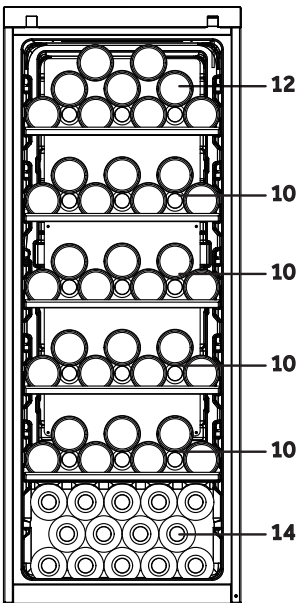
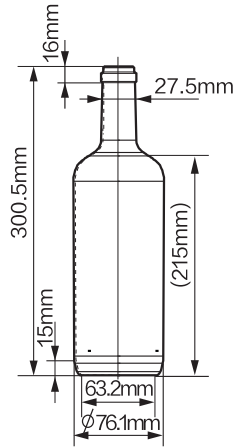
thermostaten, temperatuursensoren, printplaten en lichtbronnen, voor een minimumperiode van zeven jaar nadat het laatste exemplaar van het model op de markt is gebracht;

deurklinken, deurscharnieren, bladen en manden voor een minimumperiode van zeven jaar en deurafdichtingen voor een minimumperiode van tien jaar, nadat het laatste exemplaar van het model op de markt is gebracht;

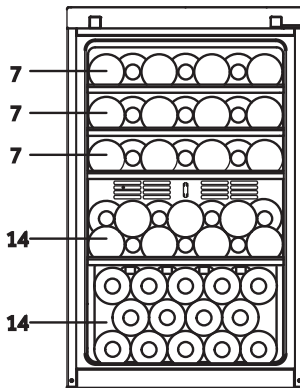
GARANTIE

Minimumgarantie is: 2 jaar voor EU-landen, 3 jaar voor Turkije, 1 jaar voor het Verenigd Koninkrijk, 1 jaar voor Rusland, 3 jaar voor Zweden, 2 jaar voor Servië, 5 jaar voor Noorwegen, 1 jaar voor Marokko, 6 maanden voor Algerije, Tunesië geen wettelijke garantie vereist.

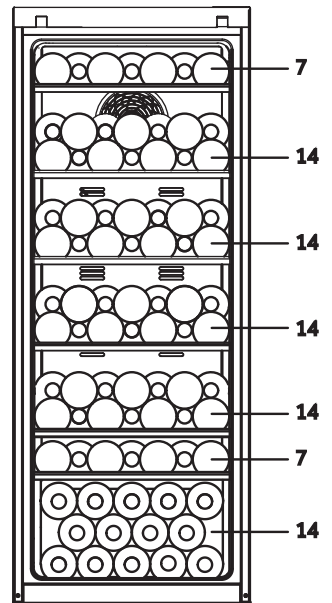
Voor meer informatie over het product, raadpleeg <https://eprel.ec.europa.eu/> of scan de QR-code op het energielabel dat bij het apparaat is geleverd



(66)
HWS66GGE



(49)
HWS49GA
HWS49GAE



(84)
HWS84GA
HWS84GNF

HWS-84GA-49GA-49GAE-84GNF-66GGE-NL

Haier



Εγχειρίδιο χρήσης

Συντηρητής
κρασιών

HWS84GA

HWS84GNF

HWS49GA

HWS49GAE

HWS66GGE

EL

Haier

Ευχαριστούμε που αγοράσατε ένα προϊόν Haier.

Παρακαλούμε διαβάστε προσεκτικά αυτές τις οδηγίες πριν από την χρήση αυτής της συσκευής. Οι οδηγίες περιέχουν σημαντικές πληροφορίες που θα σας βοηθήσουν να αξιοποιήσετε στο έπακρο τη συσκευή και να εξασφαλίσετε την ασφαλή και σωστή εγκατάσταση, χρήση και συντήρηση.

Φυλάξτε αυτό το εγχειρίδιο σε μια προσβάσιμη θέση, ώστε να μπορείτε πάντα να ανατρέξετε σε αυτό για την ασφαλή και σωστή χρήση της συσκευής.

Εάν πουλήσετε τη συσκευή, την χαρίσετε ή την αφήσετε όταν μετακομίσετε από το σπίτι, βεβαιωθείτε ότι έχετε αφήσει επίσημα και αυτό το εγχειρίδιο, ώστε ο νέος ιδιοκτήτης να εξοικειωθεί με τη συσκευή και τις προειδοποιήσεις ασφαλείας.



Υπόμνημα

Προειδοποίηση - Σημαντικές πληροφορίες ασφαλείας



Γενικές πληροφορίες και συμβουλές



Περιβαλλοντικές πληροφορίες



Απορριψη

Βοήθεια και συμβολή στην προστασία του περιβάλλοντος και της ανθρώπινης υγείας. Τοποθετήστε τη συσκευασία σε κατάλληλα δοχεία για την ανακύκλωση της. Συμβολή στην ανακύκλωση των αποβλήτων ηλεκτρικών και ηλεκτρονικών συσκευών. Συσκευές που φέρουν αυτό το σύμβολο μην τις απορρίψετε μαζί με τα οικιακά απορρίμματα. Επιστρέψτε το προϊόν στην τοπική μονάδα ανακύκλωσης ή επικοινωνήστε με το αρμόδιο δημοτικό γραφείο του Δήμου σας.



ΠΡΟΕΙΔΟΠΟΙΗΣΗ!

Κίνδυνος τραυματισμού ή ασφυξίας!

Τα ψυκτικά μέσα και τα αέρια πρέπει να απορρίπτονται επαγγελματικά. Βεβαιωθείτε ότι η σωλήνωση του κυκλώματος ψυκτικού δεν έχει υποστεί ζημιά πριν απορριφθεί σωστά. Αποσυνδέστε τη συσκευή από την πρίζα παροχής ρεύματος. Κόψτε το καλώδιο τροφοδοσίας και απορρίψτε το. Αφαιρέστε τους δίσκους και τα συρτάρια, καθώς και τα αλιεύματα και τις σφραγίδες της πόρτας, για να αποτρέψετε τα παιδιά και τα κατοικίδια ζώα να κλείσουν στη συσκευή.

Οι παλιές συσκευές εξακολουθούν να έχουν κάποια υπολειμματική αξία. Μια φιλική προς το περιβάλλον μέθοδος διάθεσης θα διασφαλίσει ότι πολύτιμες πρώτες ύλες μπορούν να ανακτηθούν και να χρησιμοποιηθούν ξανά.

Η κυκλοπεντάνη, μια εύφλεκτη ουσία που δεν είναι επιβλαβής για το όζον, χρησιμοποιείται ως παράγοντας διαστολής για τον αφρό μόνωσης.

Εξασφαλίζοντας ότι το προϊόν έχει απορριφθεί σωστά, βοηθάτε στην πρόληψη των δυνητικά αρνητικών συνεπειών στο περιβάλλον και στην ανθρώπινη υγεία, που θα μπορούσαν να προκληθούν.

Για πιο αναλυτικές και λεπτομερείς πληροφορίες σχετικά με την ανακύκλωση αυτού του προϊόντος, παρακαλούμε επικοινωνήστε με τους αρμόδιους στον δήμο σας, την υπηρεσία αποκομιδής οικιακών απορριμμάτων ή το κατάστημα από το οποίο αγοράσατε το προϊόν, ώστε ο χειρισμός να γίνει από τους επαγγελματίες.

1 - Πληροφορίες ασφάλειας.....	4
2 - Συμβουλές ασφαλείας	7
3 - Συντήρηση.....	11
4 - Εξαρτήματα.....	13
5 - Περιγραφή προϊόντος	14
6 - Εγκατάσταση.....	15
7 - Χρήση	18
8 - Συμβουλές εξοικονόμησης ενέργειας.....	21
9 - Εξοπλισμός.....	22
10 - Φροντίδα και καθαρισμός	23
11 - Αντιμετώπιση προβλημάτων	24
12 - Τεχνικά δεδομένα	27
13 - Εξυπηρέτηση πελατών.....	28
14 - Στοιβαξη μπουκαλιών κρασιού	29

Η συσκευή αυτή προορίζεται να χρησιμοποιηθεί αποκλειστικά για την αποθήκευση κρασιών. Διαβάστε τις παρακάτω υποδείξεις ασφαλείας πριν ενεργοποιήσετε τη συσκευή για πρώτη φορά:



ΠΡΟΕΙΔΟΠΟΙΗΣΗ!

Πριν από την πρώτη χρήση

- ▶ Βεβαιωθείτε ότι δεν υπάρχει ζημιά εξ' αιτίας της μεταφοράς.
- ▶ Αφαιρέστε όλα τα υλικά συσκευασίας και κρατήστε τα μακριά από τα παιδιά και απορρίψτε τα με φιλικό προς το περιβάλλον τρόπο.
- ▶ Περιμένετε τουλάχιστον δύο ώρες πριν τοποθετήσετε τη συσκευή για να βεβαιωθείτε ότι το κύκλωμα του ψυκτικού είναι πλήρως αποτελεσματικό.
- ▶ Χειριστείτε τη συσκευή πάντοτε με δύο άτομα τουλάχιστον, διότι είναι βαριά.

Εγκατάσταση

- ▶ Η συσκευή πρέπει να τοποθετηθεί σε καλά αεριζόμενο μέρος. Βεβαιωθείτε ότι υπάρχει χώρος τουλάχιστον 10 εκατοστών πάνω και γύρω από τη συσκευή.
- ▶ **ΠΡΟΕΙΔΟΠΟΙΗΣΗ:** Φροντίστε πάντα να μην υπάρχουν εμπόδια στα ανοίγματα εξαερισμού στο περίβλημα της συσκευής ή στις εσωτερικές της δομές.
- ▶ Μην τοποθετείτε ποτέ τη συσκευή σε υγρή περιοχή ή θέση όπου μπορεί να πιτσιλιστεί ή βραχεί με νερό. Καθαρίστε και ξύστε τις ξεραμένες πιτσιλιές νερού και λεκέδες με ένα μαλακό καθαρό πανί.
- ▶ Μην εγκαθιστάτε τον συντηρητή κρασιών σας σε θέση που δεν είναι σωστά μονωμένη ή θερμαινόμενη, π.χ. γκαράζ κ.λπ. Ο συντηρητής κρασιών σας δεν έχει σχεδιαστεί για να λειτουργεί σε θερμοκρασία περιβάλλοντος κάτω από 10 °C.
- ▶ Μην εγκαθιστάτε τη συσκευή σε σημείο με άμεσο ηλιακό φως ή κοντά σε πηγές θερμότητας (π.χ. σόμπες, θερμαντήρες).
- ▶ Εγκαταστήστε και τοποθετήστε τη συσκευή σε μια περιοχή κατάλληλη για το μέγεθος και τη χρήση της.
- ▶ Βεβαιωθείτε ότι οι ηλεκτρικές πληροφορίες στην πινακίδα τεχνικών χαρακτηριστικών συμφωνούν με την παροχή ρεύματος. Αν όχι, επικοινωνήστε με έναν ηλεκτρολόγο.
- ▶ Η συσκευή λειτουργεί με τροφοδοσία 220-240 VAC / 50 Hz. Η μη φυσιολογική διακύμανση της τάσης μπορεί να προκαλέσει την αποτυχία εκκίνησης της συσκευής ή ζημιά στον έλεγχο θερμοκρασίας ή τον συμπιεστή ή μπορεί να υπάρχει ανώμαλος θόρυβος κατά τη λειτουργία. Σε μια τέτοια περίπτωση, θα πρέπει να τοποθετηθεί ένας αυτόματος ρυθμιστής.
- ▶ Μην χρησιμοποιείτε προσαρμογείς πολλαπλών θέσεων (πολύπριζα) και καλώδια επέκτασης / προέκτασης.



ΠΡΟΕΙΔΟΠΟΙΗΣΗ!

- ▶ **ΠΡΟΕΙΔΟΠΟΙΗΣΗ:** Μην τοποθετείτε πολλαπλές φορητές πρίζες ή φορητά τροφοδοτικά στο πίσω μέρος της συσκευής.
- ▶ **ΠΡΟΕΙΔΟΠΟΙΗΣΗ:** Κατά την τοποθέτηση της συσκευής διασφαλίστε ότι το καλώδιο τροφοδοσίας δεν έχει παγιδευτεί ή υποστεί ζημιά.
- ▶ Μην πατάτε το καλώδιο τροφοδοσίας.
- ▶ Χρησιμοποιήστε μια ξεχωριστή γειωμένη πρίζα για την παροχή ηλεκτρικού ρεύματος, η οποία να είναι εύκολα προσβάσιμη. Αυτή η συσκευή πρέπει να είναι γειωμένη.
- ▶ **Μόνο για το Ηνωμένο Βασίλειο:** Το καλώδιο τροφοδοσίας της συσκευής είναι εξοπλισμένο με βύσμα 3-καλωδίων (με γείωση) που ταιριάζει σε μια τυπική πρίζα 3-καλωδίων (πρίζα με γείωση). Ποτέ μην κόβετε ή αποσυναρμολογείτε τον τρίτο πείρο (γείωση). Μετά την εγκατάσταση της συσκευής, το βύσμα πρέπει να είναι άμεσα προσβάσιμο.
- ▶ **ΠΡΟΕΙΔΟΠΟΙΗΣΗ:** Αποφύγετε την πρόκληση ζημιών στο κύκλωμα ψύξης.

Καθημερινή χρήση

- ▶ Η συσκευή αυτή μπορεί να χρησιμοποιηθεί από παιδιά ηλικίας 8 ετών και άνω και από άτομα με μειωμένες σωματικές, αισθητηριακές ή διανοητικές ικανότητες ή έλλειψη εμπειρίας και γνώσης, εφόσον βρίσκονται υπό εποπτεία ή εάν τους έχουν δοθεί σαφείς οδηγίες σχετικά με τη χρήση της συσκευής με ασφαλή τρόπο και έχουν κατανοήσει επακριβώς τους σχετικούς κινδύνους.
- ▶ Τα παιδιά δεν επιτρέπεται να παίζουν με τη συσκευή.
- ▶ Τα παιδιά ηλικίας 3 έως 8 ετών επιτρέπεται να τοποθετούν και να βγάζουν (αντικείμενα) από τις ψυκτικές συσκευές, αλλά δεν επιτρέπεται να καθαρίζουν και να εγκαθιστούν τις ψυκτικές συσκευές.
- ▶ Κρατήστε μακριά τα παιδιά κάτω των 3 ετών από τη συσκευή, εκτός εάν επιβλέπονται συνεχώς.
- ▶ Ο καθαρισμός και οι εργασίες συντήρησης από τον χρήστη απαγορεύεται να γίνονται από παιδιά χωρίς επιτήρηση.
- ▶ Η συσκευή πρέπει να είναι τοποθετημένη έτσι ώστε το φινιρίσμα να είναι προσβάσιμο.
- ▶ Εάν το αέριο άνθρακα ή άλλο εύφλεκτο αέριο διαρρέει κοντά στη συσκευή, απενεργοποιήστε τη βαλβίδα του αερίου που διαρρέει, ανοίξτε τις πόρτες και τα παράθυρα και μην αποσυνδέσετε το καλώδιο τροφοδοσίας της συσκευής.
- ▶ Περιμένετε τουλάχιστον 7 λεπτά για να επανασυνδέσετε το ρεύμα μετά την αποσύνδεση του ρεύματος.
- ▶ Μην σηκώνετε τη συσκευή από τις λαβές της πόρτας.

- ▶ Τα κλειδιά πρέπει να φυλάσσονται μακριά από παιδιά και όχι κοντά στη συσκευή για να μην παγιδευτούν τα παιδιά μέσα στη συσκευή.
- ▶ Σημειώστε ότι η συσκευή έχει ρυθμιστεί για λειτουργία σε συγκεκριμένο εύρος θερμοκρασίας περιβάλλοντος μεταξύ 10 °C και 38 °C. Η συσκευή ενδέχεται να μην λειτουργεί σωστά εάν αφηθεί για μεγάλο χρονικό διάστημα σε θερμοκρασία υψηλότερη ή χαμηλότερη από το υποδεικνυόμενο εύρος τιμών.
- ▶ Μην τοποθετείτε ασταθή αντικείμενα (βαριά αντικείμενα, δοχεία γεμάτα με νερό) στο πάνω μέρος της συσκευής, για να αποφύγετε τραυματισμούς που προκαλούνται από πτώση ή ηλεκτροπληξία που μπορεί να προκληθεί από την επαφή με το νερό.
- ▶ Ανοίξτε και κλείστε την πόρτα μόνο από τις λαβές. Το χάσμα μεταξύ της πόρτας και του ντουλαπιού είναι πολύ στενό. Μην βάζετε τα χέρια σας σε αυτές τις περιοχές για να αποφύγετε να πιαστούν (μαγκωθούν) τα δάκτυλά σας. Ανοίξτε ή κλείστε τις πόρτες της συσκευής μόνο όταν δεν υπάρχουν παιδιά που να στέκονται εντός του εύρους κίνησης της πόρτας.
- ▶ Μην αποθηκεύετε και μην χρησιμοποιείτε εύφλεκτα, εκρηκτικά ή διαβρωτικά υλικά εντός ή εγγύς της συσκευής.
- ▶ Μην αποθηκεύετε εκρηκτικές ουσίες όπως δοχεία αερολύματος με εύφλεκτο περιεχόμενο σε αυτή τη συσκευή.
- ▶ Μην αποθηκεύετε φάρμακα, βακτήρια ή χημικούς παράγοντες στη συσκευή. Αυτή η συσκευή είναι οικιακή συσκευή, δεν συνιστάται η αποθήκευση υλικών που απαιτούν αυστηρές θερμοκρασίες.
- ▶ Μην ορίσετε άσκοπα χαμηλή θερμοκρασία στο διαμέρισμα του συντηρητή κρασιών. Οι αρνητικές θερμοκρασίες μπορεί να εμφανιστούν σε υψηλές ρυθμίσεις. Προσοχή: Τα μπουκάλια μπορούν να σκάσουν.
- ▶ Μην αγγίζετε την εσωτερική επιφάνεια του χώρου αποθήκευσης της συσκευής όταν λειτουργεί, ειδικά με βρεγμένα χέρια, καθώς τα χέρια σας μπορεί να παγώσουν στην επιφάνεια.
- ▶ Για σωστή ψύξη του κρασιού, μην υπερφορτώνετε τη συσκευή.
- ▶ Αποσυνδέστε τη συσκευή από την πρίζα σε περίπτωση διακοπής ρεύματος ή πριν από τον καθαρισμό. Αφήστε τουλάχιστον 7 λεπτά πριν από την επανεκκίνηση της συσκευής, καθώς η συχνή εκκίνηση μπορεί να προκαλέσει ζημιά στον συμπιεστή.
- ▶ **ΠΡΟΕΙΔΟΠΟΙΗΣΗ:** Μην χρησιμοποιείτε ηλεκτρικές συσκευές στο εσωτερικό της συσκευής, εκτός και εάν είναι του τύπου που συστήνεται από τον κατασκευαστή. Για να αποφύγετε τους κινδύνους, ένα κατεστραμμένο καλώδιο τροφοδοσίας πρέπει να αντικατασταθεί από την εξυπηρέτηση πελατών (βλ. κάρτα εγγύησης).
- ▶ Για να παρατείνετε τη διάρκεια ζωής της συσκευής, αποφύγετε να την απενεργοποιήσετε.
- ▶ Μην τοποθετείτε ποτέ τη συσκευή οριζόντια στο έδαφος. Αφού γείρετε τη συσκευή περισσότερο από 45°, περιμένετε 24 ώρες πριν τη συνδέσετε στην πρίζα.

**ΠΡΟΕΙΔΟΠΟΙΗΣΗ!****Συντήρηση / καθαρισμός**

- ▶ Βεβαιωθείτε ότι τα παιδιά επιβλέπονται εάν πραγματοποιούν καθαρισμό και συντήρηση.
- ▶ Αποσυνδέστε τη συσκευή από την ηλεκτρική τροφοδοσία πριν πραγματοποιήσετε οποιαδήποτε συντήρηση ρουτίνας. Αφήστε τουλάχιστον 7 λεπτά πριν από την επανεκκίνηση της συσκευής, καθώς η συχνή εκκίνηση μπορεί να προκαλέσει ζημιά στον συμπιεστή.
- ▶ Κρατήστε το φιλτράκι, όχι το καλώδιο, όταν αποσυνδέετε τη συσκευή.
- ▶ Μην καθαρίζετε τη συσκευή με σκληρές βούρτσες, συρμάτινες βούρτσες, σκόνη απορρυπαντικού, βενζίνη, οξικό αμύλιο, ακετόνη και παρόμοια οργανικά διαλύματα, όξινα ή αλκαλικά διαλύματα. Καθαρίστε με ειδικό απορρυπαντικό ψυγείου/καταψύκτη για να αποφύγετε ζημιές. Ειδικά χρησιμοποιήστε ζεστό νερό και διάλυμα σόδας ψησίματος - περίπου μια κουταλιά της σούπας σόδα ψησίματος σε ένα λίτρο / λίτρο νερού. Ξεπλύνετε πολύ καλά με νερό και στεγνώστε. Μην χρησιμοποιείτε σκόνες καθαρισμού ή άλλα λειαντικά καθαριστικά. Μην πλένετε αφαιρούμενα εξαρτήματα σε πλυντήριο πιάτων.
- ▶ **ΠΡΟΕΙΔΟΠΟΙΗΣΗ:** Μην χρησιμοποιείτε μηχανικές συσκευές ή άλλα μέσα για να επιταχύνετε τη διαδικασία απόψυξης, παρά μόνο όσα συνιστώνται από τον κατασκευαστή.
- ▶ Αν το καλώδιο παροχής ρεύματος έχει φθαρεί πρέπει να αντικατασταθεί από τον κατασκευαστή ή τον αντιπρόσωπο του σέρβις ή παρόμοια εξουσιοδοτημένα πρόσωπα, προς αποφυγή του κινδύνου.
- ▶ Μην προσπαθήσετε να επισκευάσετε, να αποσυναρμολογήσετε ή να τροποποιήσετε τη συσκευή μόνοι σας. Σε περίπτωση επισκευής επικοινωνήστε με την εξυπηρέτηση πελατών μας.
- ▶ Εάν οι λαμπτήρες φωτισμού έχουν υποστεί ζημιά πρέπει να αντικατασταθούν από τον κατασκευαστή ή τον αντιπρόσωπο του σέρβις ή παρόμοια εξουσιοδοτημένα πρόσωπα, προς αποφυγή του κινδύνου.
- ▶ Εξαλείψτε τη σκόνη στο πίσω μέρος της μονάδας τουλάχιστον μία φορά το χρόνο για να αποφύγετε τον κίνδυνο από πυρκαγιά, καθώς και την αυξημένη κατανάλωση ενέργειας.

- ▶ Μην ψεκάζετε ή ξεπλύνετε τη συσκευή κατά τον καθαρισμό.
- ▶ Μη χρησιμοποιείτε σπρέι νερού ή ατμό για να καθαρίσετε τη συσκευή.
- ▶ Μην καθαρίζετε την κρύα γυάλινη πόρτα με ζεστό νερό. Η απότομη αλλαγή θερμοκρασίας μπορεί να προκαλέσει το σπάσιμο του γυαλιού.
- ▶ Εάν αφήσετε τη συσκευή σας εκτός λειτουργίας για μεγάλο χρονικό διάστημα, αφήστε την ανοιχτή για να αποφύγετε την οσμή και τις δυσάρεστες μυρωδιές που συσσωρεύονται μέσα.

Πληροφορίες για τα ψυκτικά αέρια



ΠΡΟΕΙΔΟΠΟΙΗΣΗ!

Η συσκευή περιέχει το εύφλεκτο ψυκτικό μέσο ISOBUTHANE (R600a). Βεβαιωθείτε ότι το κύκλωμα ψυκτικού δεν έχει υποστεί ζημιά κατά τη μεταφορά ή την εγκατάσταση. Η διαρροή ψυκτικού μπορεί να προκαλέσει τραυματισμούς στα μάτια ή ανάφλεξη. Εάν έχει προκληθεί ζημιά, κρατήστε το μακριά από ακάλυπτες πηγές φωτιάς, αερίστε καλά το δωμάτιο, **μην** συνδέσετε ή αποσυνδέσετε τα καλώδια τροφοδοσίας της συσκευής ή οποιασδήποτε άλλης συσκευής. Ενημερώστε την εξυπηρέτηση πελατών.

Σε περίπτωση που τα μάτια έρθουν σε επαφή με το ψυκτικό μέσο, ξεπλύνετε τα αμέσως κάτω από τρεχούμενο νερό και καλέστε αμέσως τον οφθαλμίατρο.

ΠΡΟΕΙΔΟΠΟΙΗΣΗ: Το σύστημα ψύξης είναι υπό υψηλή πίεση. Μην το σκαλίζετε και μην το πειράζετε. Δεδομένου ότι χρησιμοποιούνται εύφλεκτα ψυκτικά μέσα, παρακαλούμε, εγκαταστήστε, χειριστείτε και συντηρήστε τη συσκευή επακριβώς αυστηρά και σύμφωνα με τις οδηγίες και ελάτε σε επαφή με τον επαγγελματικό πράκτορα ή την υπηρεσία μεταπωλήσεων μας για να απορρίψετε τη συσκευή.

Προβλεπόμενη χρήση


Αυτή η συσκευή προορίζεται για χρήση σε οικιακές και παρόμοιες εφαρμογές όπως

- κουζίνες προσωπικού σε καταστήματα, γραφεία και άλλα περιβάλλοντα εργασίας,
 - αγροτικές και από πελάτες ξενοδοχείων, πανδοχείων και άλλων περιβαλλόντων οικιστικού τύπου,
 - σε εγκαταστάσεις διαμονής με πρωινό και ημιδιαμονής,
 - εφαρμογές σίτισης και παρόμοιες εφαρμογές μη-λιανικής πώλησης.
- Για να διασφαλίσετε την ασφαλή συντήρηση των κρασιών, συμμορφωθείτε με αυτήν την οδηγία χρήσης.
- Οι λεπτομέρειες σχετικά με το καταλληλότερο μέρος του διαμερίσματος της συσκευής όπου αποθηκεύονται συγκεκριμένοι τύποι τροφίμων, λαμβάνοντας υπόψη την κατανομή της θερμοκρασίας που μπορεί να υπάρχει στα διάφορα διαμερίσματα της συσκευής βρίσκονται στο άλλο μέρος του εγχειριδίου.

Δεν επιτρέπονται αλλαγές ή τροποποιήσεις στη συσκευή. Η ακούσια χρήση μπορεί να προκαλέσει κινδύνους και απώλεια αξιώσεων εγγύησης.

Απόρριψη



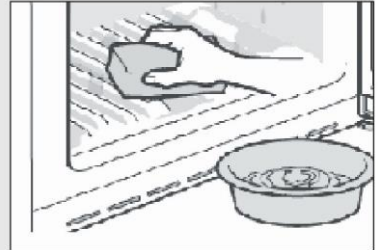
Το σύμβολο  στο προϊόν ή στη συσκευασία υποδεικνύει ότι δεν πρέπει να αντιμετωπίζεται ως οικιακά απορρίμματα. Θα πρέπει να παραδοθεί σε κατάλληλο σημείο συλλογής για την ανακύκλωση ηλεκτρικού και ηλεκτρονικού εξοπλισμού. Εξασφαλίζοντας ότι το προϊόν έχει απορριφθεί σωστά, βοηθάτε στην πρόληψη των δυνητικά αρνητικών συνεπειών στο περιβάλλον και στην ανθρώπινη υγεία, που θα μπορούσαν να προκληθούν από ακατάλληλη απόρριψη αυτού του προϊόντος. Για πιο λεπτομερείς πληροφορίες σχετικά με την ανακύκλωση αυτού του προϊόντος, επικοινωνήστε με την υπηρεσία του δήμου σας, την υπηρεσία διάθεσης οικιακών απορριμμάτων ή το κατάστημα όπου αγοράσατε το προϊόν. Δεδομένου ότι χρησιμοποιούνται εύφλεκτα αέρια φυσήματος μόνωσης, παρακαλούμε επικοινωνήστε με τον επαγγελματία αντιπρόσωπο ή το τμήμα εξυπηρέτησης μετά την πώληση για να απορρίψετε τη συσκευή.

ΠΡΟΕΙΔΟΠΟΙΗΣΗ!

Κίνδυνος τραυματισμού από ασφυξία!

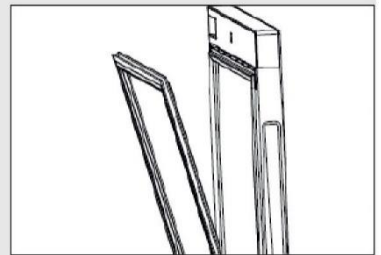
Τα ψυκτικά μέσα και τα αέρια πρέπει να απορρίπτονται επαγγελματικά. Βεβαιωθείτε ότι η σωλήνωση του κυκλώματος ψυκτικού δεν έχει υποστεί ζημιά πριν απορριφθεί σωστά. Αποσυνδέστε τη συσκευή από την πρίζα παροχής ρεύματος. Κόψτε το καλώδιο τροφοδοσίας και απορρίψτε το. Αφαιρέστε τους δίσκους και τα συρτάρια, καθώς και τους μεντεσέδες και τις σφραγίδες της πόρτας για να αποτρέψετε τα παιδιά και τα κατοικίδια ζώα να κλείσουν στη συσκευή.

- ▶ **ΠΡΟΕΙΔΟΠΟΙΗΣΗ:** Αποσυνδέστε τη συσκευή από την τροφοδοσία πριν από τον καθαρισμό.
- ▶ Μην καθαρίζετε τη συσκευή με σκληρές βούρτσες, συρμάτινες βούρτσες, σκόνη απορρυπαντικού, βενζίνη, οξικό αμύλιο, ακετόνη και παρόμοια οργανικά διαλύματα, όξινα ή αλκαλικά διαλύματα. Καθαρίστε με ειδικό απορρυπαντικό ψυγείου για να αποφύγετε ζημιές.
- ▶ Καθαρίστε τη συσκευή όταν έχει αποθηκευτεί λίγο ή καθόλου κρασί. Είναι απαραίτητο να την καθαρίσετε μόνο όταν είναι βρώμικη.
- ▶ Καθαρίστε το εσωτερικό και το περίβλημα της συσκευής με ένα σφουγγάρι βρεγμένο σε ζεστό νερό και ουδέτερο απορρυπαντικό
- ▶ Ξεπλύνετε με καθαρό ζεστό νερό και στεγνώστε με μαλακό πανί.
- ▶ Μην καθαρίζετε κανένα από τα μέρη της συσκευής σε πλυντήριο πιάτων.
- ▶ Αφήστε τουλάχιστον 7 λεπτά πριν από την επανεκκίνηση της συσκευής, καθώς η συχνή εκκίνηση μπορεί να προκαλέσει ζημιά στον συμπιεστή.



Καθαρίστε το λάστιχο της πόρτας:

- ▶ Τα λάστιχα της πόρτας πρέπει να καθαρίζονται κάθε 3 μήνες για να εξασφαλιστεί η σωστή στεγανοποίηση. Ως κατωτέρω: Αφαιρέστε: Πιάστε το λάστιχο της πόρτας και τραβήξτε το προς τα έξω σύμφωνα με την κατεύθυνση του βέλους για να αφαιρέσετε ολόκληρο το λάστιχο της πόρτας με τη σειρά.
Βουτήξτε τη βούρτσα με νερό ή οινόπνευμα ποιότητας τροφίμων, καθαρίστε πρώτα το αυλάκι του λάστιχου της πόρτας τραβώντας μπρος-πίσω τη βούρτσα. Στη συνέχεια σκουπίστε την επιφάνεια του λάστιχου της πόρτας με μια πετσέτα βουτηγμένη σε νερό ή οινόπνευμα ποιότητας τροφίμων. Τέλος, ξεπλύνετε το λάστιχο της πόρτας και σκουπίστε το με μια καθαρή πετσέτα.



Τοποθέτηση λάστιχου πόρτας μετά τον καθαρισμό:

Πριν την τοποθέτηση, βεβαιωθείτε ότι δεν υπάρχει νερό στο λάστιχο της πόρτας. Εισαγάγετε το λάστιχο της πόρτας στην αυλάκωση και πιέστε το λάστιχο της πόρτας σφιχτά από πάνω προς τα κάτω με το χέρι μέχρι να εισαχθεί ολόκληρο το λάστιχο της πόρτας στην αυλάκωση.

Καθαρισμός των ραφιών:

- ▶ Όλα τα ράφια μπορούν να αφαιρεθούν για καθαρισμό.
- ▶ Βγάλτε όλα τα μπουκάλια.
- ▶ Σηκώστε λίγο κάθε ράφι και αφαιρέστε το.
- ▶ Καθαρίστε το ράφι με μια μαλακή πετσέτα.
- ▶ Περιμένετε μέχρι να στεγνώσουν τα ράφια πριν τα τοποθετήσετε ξανά.

ΠΡΟΕΙΔΟΠΟΙΗΣΗ:

Περιμένετε τουλάχιστον 7 λεπτά για να επανασυνδέσετε το ρεύμα μετά την αποσύνδεση του ρεύματος.

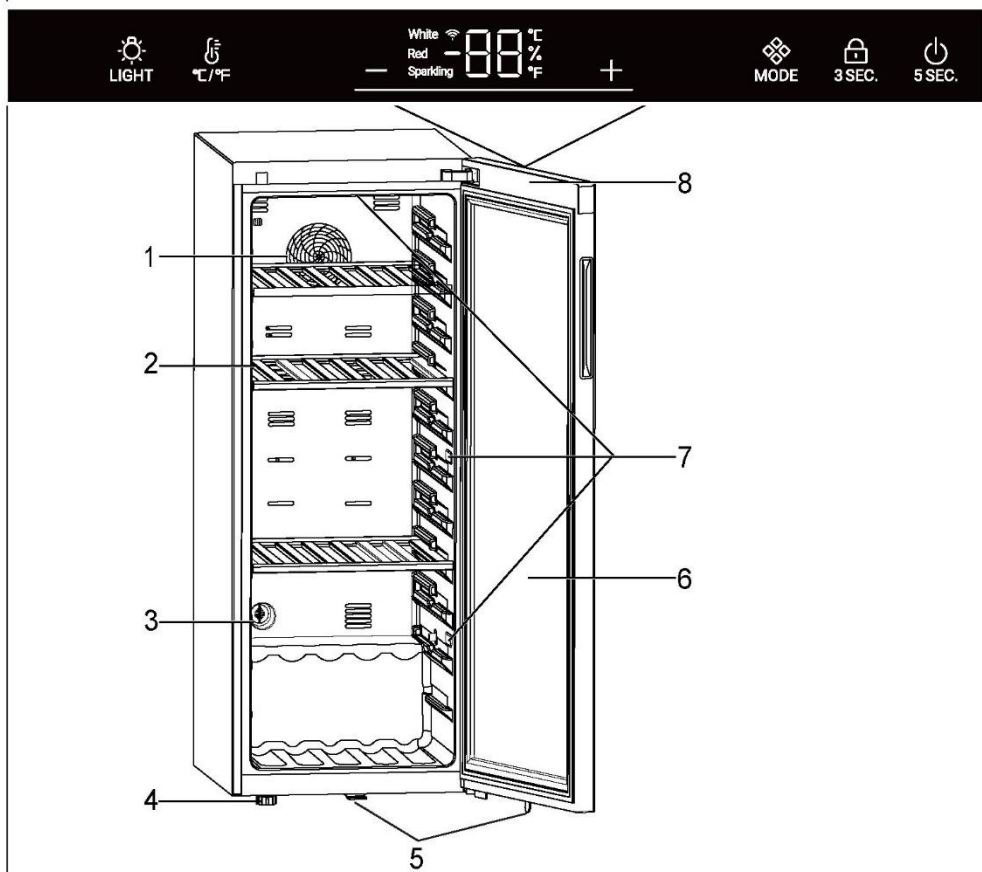
Ελέγξτε τα αξεσουάρ και τη βιβλιογραφία σύμφωνα με αυτήν τη λίστα: χωρίς απομόνωση.

Όνομα	Εγχειρίδι χρήσης	Κάρτα Σέρβις	Ράφι	Μικρό ράφι	Κάλυμμα μεντεσέ	Ενεργειακ σήμα	Πλήκτρο	Αριστερό έκκεντρο πόρτας
HWS84GA	1	1	6	1	1	1	2	2
HWS84GNF	1	1	6	1	1	1	2	2
HWS49GA	1	1	4	1	1	1	2	2
HWS49GAE	1	1	4	/	/	1	/	/
HWS66GGE	1	1	5	/	/	1	2	/

i Σημείωση

Λόγω τεχνικών αλλαγών και διαφορετικών μοντέλων, ορισμένες από τις εικόνες σε αυτό το εγχειρίδιο ενδέχεται να διαφέρουν από το μοντέλο σας.

Εικόνα της συσκευής



1. Ανεμιστήρας (εκτός από το HWS49GAE, HWS66GGE)
2. Ράφι
3. Φίλτρο ενεργού άνθρακα
4. Ρυθμιζόμενα πόδια

5. Κλειδίμα (εκτός από το HWS49GAE)
6. Θύρα
7. Λάμπα LED
8. Οθόνη (μπροστά στην πόρτα)

1. Αποσυσκευασία

- ▶ Βγάλτε τη συσκευή από τη συσκευασία.
- ▶ Αφαιρέστε όλα τα υλικά συσκευασίας, συμπεριλαμβανομένης της βάσης από αφρολέξ και όλη την αυτοκόλλητη ταινία που συγκρατεί τα εξαρτήματα.

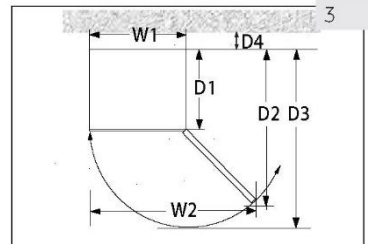
2. Περιβαλλοντικές συνθήκες

Η θερμοκρασία δωματίου πρέπει να είναι πάντα μεταξύ 10 °C και 38 °C, καθώς μπορεί να επηρεάσει τη θερμοκρασία στο εσωτερικό της συσκευής και την κατανάλωση ενέργειας της. Μην εγκαθιστάτε τη συσκευή κοντά σε άλλες συσκευές που εκπέμπουν θερμότητα (φούρνοι, ψυγεία) χωρίς να υπάρχει μόνωση.

3. Απαιτήσεις χώρου

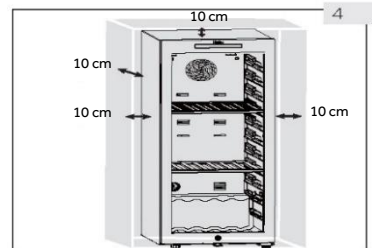
Απαιτούμενος χώρος για το άνοιγμα της πόρτας (Εικ. 3):

Πλάτος σε mm		Βάθος σε mm			Απόσταση από τοίχο σε mm
W1	W2	D1	D2	D3	D4
495	630	535	1033	1047	100



4. Χώρος εξαερισμού

Για λόγους ασφαλείας και ενέργειας, πρέπει να τηρείται η απαιτούμενη απόσταση αερισμού των 10 cm προς όλες τις κατευθύνσεις (Εικ. 4).



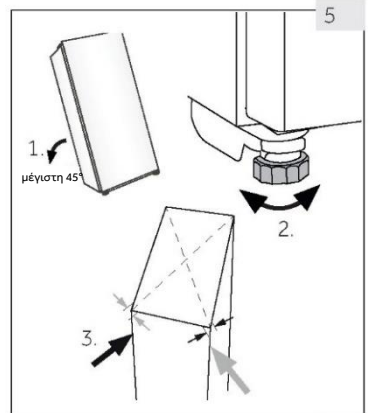
ΠΡΟΕΙΔΟΠΟΙΗΣΗ!

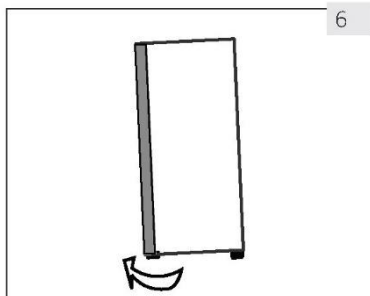
- ▶ Διατηρείτε τα ανοίγματα εξαερισμού στη συσκευή ή την ενσωματωμένη δομή ελεύθερα εμποδίων. Αυτή η ψυκτική συσκευή δεν προορίζεται να χρησιμοποιηθεί ως ενσωματωμένη συσκευή.

5. Ευθυγράμμιση της συσκευής

Η συσκευή πρέπει να τοποθετηθεί σε επίπεδη και συμπαγή επιφάνεια.

1. Γείρετε τη συσκευή ελαφρώς προς τα πίσω (Εικ. 5).
2. Ρυθμίστε τα ρυθμιζόμενα μπροστινά πόδια στο επιθυμητό επίπεδο περιστρέφοντάς τα.
3. Η σταθερότητα μπορεί να ελεγχθεί με εναλλάξ χτύπημα στις διαγώνιους. Μια ελαφριά ταλάντευση θα πρέπει να είναι η ίδια και προς τις δύο κατευθύνσεις. Διαφορετικά το πλαίσιο μπορεί να στρεβλώσει, και το αποτέλεσμα μπορεί να είναι πιθανές διαρροές από τα λάστιχα της πόρτας. Μια χαμηλή τάση προς τα πίσω διευκολύνει το κλείσιμο της πόρτας.





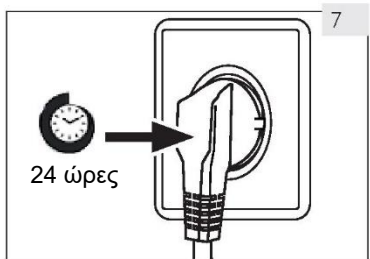
6

6. Ρύθμιση της πόρτας

Η συσκευή κλείνει πιο εύκολα εάν χρησιμοποιούνται τα πόδια επιπεδότητας στο μπροστινό μέρος:

Περιστρέψτε τα ρυθμιζόμενα πόδια (Εικ. 6) για να τα γυρίσετε πάνω ή κάτω:

- ▶ Η περιστροφή των ποδιών δεξιόστροφα ανυψώνει τη συσκευή.
- ▶ Περιστρέφοντας τα πόδια αριστερόστροφα, κατεβάστε τη συσκευή.



7

7. Χρόνος αναμονής

Το λάδι λιπανσης χωρίς συντήρηση βρίσκεται στην κάψουλα του συμπιεστή. Αυτό το λάδι μπορεί να περάσει από το κλειστό σύστημα σωλήνων κατά τη διάρκεια της κεκλιμένης μεταφοράς. Πριν συνδέσετε τη συσκευή στην παροχή ρεύματος θα πρέπει να περιμένετε 24 ώρες (Εικ. 7) έτσι ώστε το λάδι να επιστρέψει στην κάψουλα.

8. Ηλεκτρική σύνδεση

Πριν από κάθε σύνδεση ελέγξτε αν:

- ▶ η τροφοδοσία ρεύματος, η πρίζα και η ασφάλεια είναι κατάλληλα σύμφωνα με το ταμπελάκι χαρακτηριστικών.
- ▶ η πρίζα είναι γειωμένη και δεν υπάρχει πολλαπλή πρίζα ή επέκταση.
- ▶ το βύσμα τροφοδοσίας και η πρίζα είναι σωστά τοποθετημένα.

Συνδέστε το βύσμα σε μια σωστά εγκατεστημένη οικιακή πρίζα.



ΠΡΟΕΙΔΟΠΟΙΗΣΗ!

Για να αποφύγετε τους κινδύνους, ένα κατεστραμμένο καλώδιο τροφοδοσίας πρέπει να αντικατασταθεί από την εξυπηρέτηση πελατών (βλ. κάρτα εγγύησης).

9. Αναστρεψιμότητα πόρτας (εκτός από το HWS49GAE, HWS66GGE)

Πριν συνδέσετε τη συσκευή στην τροφοδοσία ρεύματος, θα πρέπει να ελέγξετε εάν το άνοιγμα της πόρτας πρέπει να αλλάξει από δεξιά (όπως παραδίδεται) προς τα αριστερά, εάν αυτό απαιτείται από τη θέση εγκατάστασης και τη χρηστικότητα.

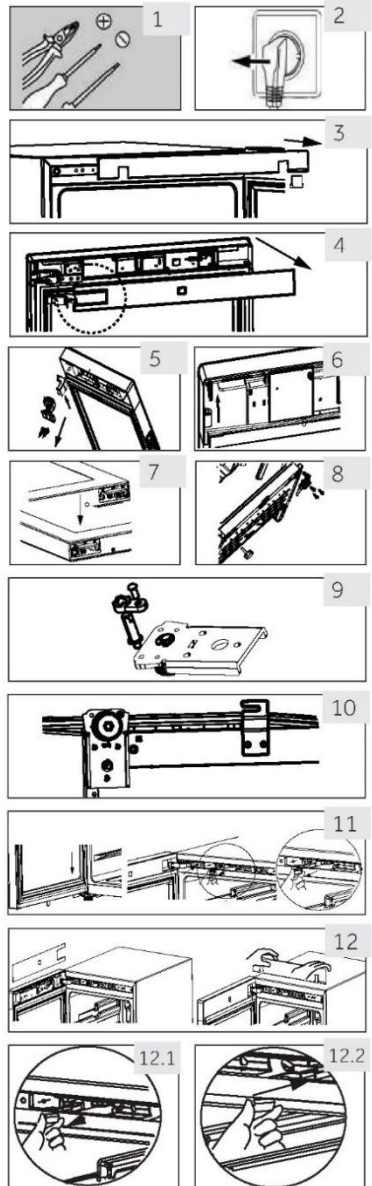


ΠΡΟΕΙΔΟΠΟΙΗΣΗ!

- ▶ Η συσκευή είναι βαριά. Χρειάζεστε δύο άτομα για να πραγματοποιήσετε την αντιστρεψιμότητα της πόρτας.
- ▶ Πριν από οποιαδήποτε λειτουργία, αποσυνδέστε πρώτα τη συσκευή από την πρίζα.
- ▶ Μην γέρνετε τη συσκευή περισσότερο από 45° για να αποφύγετε ζημιά στο σύστημα ψύξης.

Βήματα συναρμολόγησης (εκτός από το HWS49GAEHWS66GGE)

1. Παρέχετε το απαραίτητο εργαλείο.
2. Αποσυνδέστε τη συσκευή από την πρίζα.
3. Ανοίξτε την πόρτα, κατεβάστε την μπροστινή λωρίδα και βρείτε την αντίστοιχη λωρίδα για να αφαιρέσετε την αριστερή πλευρά και να την τοποθετήσετε στη δεξιά πλευρά του κενού.
4. Αποσυνδέστε το καλώδιο σύνδεσης. Τραβήξτε προς τα έξω το επάνω μέρος του λάστιχου της πόρτας και αφαιρέστε την πίσω λωρίδα της πόρτας. (Αφαιρέστε από το αριστερό άνοιγμα)
5. Αφαιρέστε τις 2 βίδες στον επάνω μεντεσέ.
6. Αφαιρέστε το κάλυμμα και τον μεντεσέ, αφαιρέστε το κάλυμμα τσεκούρι στη συνέχεια, τοποθετήστε το στην άλλη πλευρά και, στη συνέχεια, τοποθετήστε τον μεντεσέ στο τσεκούρι.
7. Αφαιρέστε το έκκεντρο και το στήριγμα της πόρτας μετακινήστε το στήριγμα της πόρτας στην άλλη πλευρά της πόρτας. Τοποθετήστε το νέο έκκεντρο από τη τσάντα δώρου.
8. Το ερμάριο έχει κλίση (λιγότερο από 45°), αφαιρέστε τον κάτω μεντεσέ (3 βίδες) για εφεδρικό.
9. Αφαιρέστε το έκκεντρο του κάτω μεντεσέ και τον άξονα του μεντεσέ. Τοποθετήστε τον άξονα στη δεξιά πλευρά του κάτω μεντεσέ. Βγάλτε το έκκεντρο από το σακουλάκι οδηγιών και τοποθετήστε το στον άξονα του κάτω μεντεσέ.
10. Τοποθετήστε τον κάτω μεντεσέ και το κάτω πόδι στην άλλη πλευρά του ερμαρίου. Λιπάνετε το έκκεντρο.
11. Τοποθετήστε την πόρτα στον άξονα του κάτω μεντεσέ και στερεώστε τον επάνω μεντεσέ με δύο βίδες στο ερμάριο. Στερεώστε τα καλώδια σήματος στη μέση της αυλάκωσης του επάνω μεντεσέ και πάρτε το κάλυμμα του μεντεσέ από το σακουλάκι οδηγιών και κουμπώστε το στον επάνω μεντεσέ.
12. Τοποθετήστε το λάστιχο της πόρτας και τη λωρίδα της πόρτας στην πόρτα. Εισαγάγετε το ζεύγος των καλωδίων σήματος της πόρτας, μετακινήστε τον μαγνητικό διακόπτη (12.1) στη δεξιά σχισμή στερέωσης (12.2) του επάνω κιβωτίου δοκού και στερεώστε το μπροστινό περίβλημα του ερμαρίου.
13. Βεβαιωθείτε ότι η πόρτα μπορεί να ανοίγει και να κλείνει σωστά.



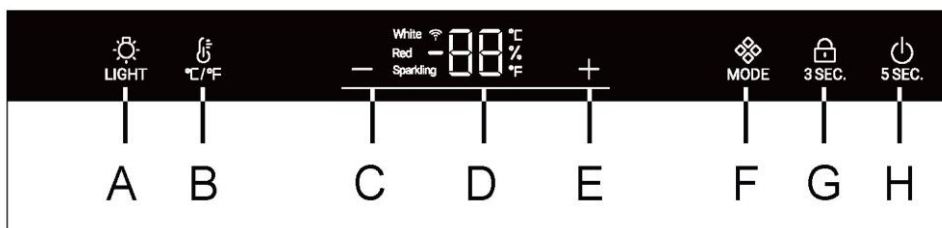
1. Πριν από την πρώτη χρήση

- ▶ Αφαιρέστε όλα τα υλικά συσκευασίας. Αυτό περιλαμβάνει τη βάση αφρολέξ και όλη την αυτοκόλλητη ταινία που συγκρατεί τα εξαρτήματα του συντηρητή κρασιών εσωτερικά και εξωτερικά. Κρατήστε τα μακριά από τα παιδιά και απορρίψτε τα με φιλικό προς το περιβάλλον τρόπο.
- ▶ Καθαρίστε το εσωτερικό και το εξωτερικό της συσκευής με νερό και ένα ήπιο απορρυπαντικό πριν βάλετε οποιοδήποτε κρασί σε αυτό.
- ▶ Αφού τοποθετηθεί απολύτως ίσια στο δάπεδο και καθαριστεί η συσκευή, περιμένετε τουλάχιστον 2 ώρες πριν τη συνδέσετε στην παροχή ρεύματος. Εάν ο συντηρητής κρασιών σας έχει γείρει για οποιονδήποτε λόγο, περιμένετε 24 ώρες πριν τον συνδέσετε. Ανατρέξτε στην ενότητα ΕΓΚΑΤΑΣΤΑΣΗ.
- ▶ Αφού συνδέσετε τη μονάδα σε μια πρίζα, αφήστε τη μονάδα να λειτουργήσει για τουλάχιστον 30 λεπτά για να εγκλιματιστεί πριν κάνετε οποιαδήποτε ρυθμίσεις.
- ▶ Η θερμοκρασία ρυθμίζεται αυτόματα στους 12 °C. Εάν θέλετε, μπορείτε να αλλάξετε αυτή τη θερμοκρασία χειροκίνητα. Δείτε την ενότητα ΘΕΡΜΟΚΡΑΣΙΑ.

2. Πλήκτρα αφής



Τα κουμπιά στον πίνακα ελέγχου είναι πλήκτρα αφής, τα οποία ανταποκρίνονται όταν αγγίζονται ελαφρά με το δάχτυλο.

3. Περιγραφή για τον πίνακα ελέγχου



- | | | | |
|---|--------------------------------------|---|--------------------------------------|
| A | Κουμπί εσωτερικού φωτισμού | E | Κουμπί ρύθμισης θερμοκρασίας: αύξηση |
| B | Κουμπί μετατροπής °C / °F | F | Κουμπί Mode |
| C | Κουμπί ρύθμισης θερμοκρασίας: μείωση | G | Κουμπί κλειδώματος |
| D | Οθόνη | H | Κουμπί λειτουργίας |

4. Λειτουργία αυτόματου κλειδώματος

Ο πίνακας ελέγχου κλειδώνει αυτόματα με οποιοδήποτε πάτημα πλήκτρων μετά από 30 δευτερόλεπτα από την ενεργοποίηση, το  3 SEC. είναι αναμμένο. Για να ενεργοποιήσετε το κλειδί των πλήκτρων, πατήστε το κουμπί  3 SEC. για 3 δευτερόλεπτα, όταν είναι κλειδωμένα, οι λυχνίες LED οπισθοφωτισμού θα χαμηλώσουν. Το κουμπί A δεν είναι κλειδωμένο.

5. Λειτουργία κουμπιού τροφοδοσίας

Πατήστε το κουμπί H για 5 δευτερόλεπτα, ο συντηρητής κρασιού απενεργοποιείται. Στη συνέχεια, πατήστε το κουμπί H για 5 δευτερόλεπτα, ο συντηρητής κρασιού ενεργοποιείται.

6. Ρύθμιση θερμοκρασίας



Σημείωση

Προρρυθμίσεις

- ▶ Αφού συνδέσετε τη μονάδα σε μια πρίζα, αφήστε τη μονάδα για τουλάχιστον 30 λεπτά να εγκλιματιστεί πριν κάνετε οποιεσδήποτε ρυθμίσεις.
- ▶ Όταν η συσκευή είναι ενεργοποιημένη μετά την αποσύνδεση από την κύρια παροχή ρεύματος, μπορεί να χρειαστούν αρκετές ώρες για να επιτευχθούν οι σωστές θερμοκρασίες. Ο ακριβής χρόνος ποικίλλει ανάλογα με το περιβάλλον και τη ρύθμιση θερμοκρασίας.



Πατήστε το κουμπί ή , η οθόνη θα αρχίσει να αναβοσβήνει. Πατήστε το κουμπί ή για να ορίσετε την επιθυμητή θερμοκρασία. Εύρος ρύθμισης θερμοκρασίας: 5-20 °C (41-68 °F). Σταματήστε να πατάτε το πλήκτρο για 3 δευτερόλεπτα, η θερμοκρασία επιβεβαιώνεται.

7. Λειτουργία Mode

Πατήστε το κουμπί . Η θερμοκρασία αλλάζει από έντονο (8 °C ή 47 °F) σε λευκό (12 °C ή 54 °F) και κόκκινο (16°C ή 61 °F).

Προτεινόμενες ρυθμίσεις θερμοκρασίας

Οι ακόλουθες θερμοκρασίες πόσης συνιστώνται για τα διάφορα είδη κρασιού.

Κόκκινο κρασί	+13 °C έως +20 °C (+55 °F έως +68 °C)	Αφρώδης οίνος Prosecco	+5 °C έως +8 °C (+41 °F έως +47 °F)
Λευκό κρασί	+9 °C έως +12 °C (+48 °F έως +54 °F)		

Εάν αποθηκεύετε το κρασί για μεγάλες χρονικές περιόδους, θα πρέπει να φυλάσσεται σε θερμοκρασία μεταξύ +10 °C και +12 °C (50 °F και +54 °F).

8. Κατάσταση αναμονής

Η φωτεινότητα της οθόνης ενδείξων μειώνεται αυτόματα για 30 δευτερόλεπτα. Ανάβει αυτόματα όταν αγγίξετε οποιοδήποτε πλήκτρο ή ανοίξετε την πόρτα.



Σημείωση Επιδράσεις στις θερμοκρασίες



Η θερμοκρασία στο εσωτερικό της συσκευής επηρεάζεται από τους ακόλουθους παράγοντες:

- ▶ Θερμοκρασία περιβάλλοντος
- ▶ Ποσότητα αποθηκευμένων φιαλών
- ▶ Συχνότητα ανοίγματος πόρτας
- ▶ Η θέση της συσκευής

Η προεπιλεγμένη ρύθμιση είναι 12 °C

Όταν η οθόνη σταματήσει να αναβοσβήνει, επιστρέφει στην εμφάνιση της τρέχουσας θερμοκρασίας στο εσωτερικό του συντηρητή κρασιών. Θα χρειαστεί λίγος χρόνος για να επιτευχθεί η καθορισμένη θερμοκρασία.

9. Ρύθμιση λειτουργίας φωτισμού

Πατήστε το κουμπί  LIGHT. Όταν τα φώτα στο ερμάριο είναι αναμμένα, τα φώτα θα ανάβουν σταδιακά. Όταν πατηθεί το κουμπί  LIGHT για άλλη μια φορά τα φώτα θα σβήσουν σταδιακά.

10. Λειτουργία °C/°F

Πατήστε το κουμπί  για εναλλαγή μεταξύ Φαρενάιτ και Κελσίου.

11. Λειτουργία μνήμης διακοπής τροφοδοσίας

Σε περίπτωση διακοπής ρεύματος, ο συντηρητής κρασιών θα αποθηκεύσει αυτόματα τη ρυθμισμένη θερμοκρασία. Μετά την επαναφορά της τροφοδοσίας, θα λειτουργήσει με βάση τη θερμοκρασία που έχει ρυθμιστεί πριν από τη διακοπή ρεύματος.

12. Λειτουργία αντιστάθμισης χαμηλής θερμοκρασίας (εκτός από HWS49GE, HWS66GGE)

Ο συντηρητής κρασιών διαθέτει λειτουργία αντιστάθμισης χαμηλής θερμοκρασίας για να εξασφαλίσει τη σταθερότητα της θερμοκρασίας: Όταν η θερμοκρασία περιβάλλοντος είναι χαμηλότερη από την καθορισμένη θερμοκρασία, ο συντηρητής κρασιών ξεκινά αυτόματα τη λειτουργία αντιστάθμισης χαμηλής θερμοκρασίας, θερμαίνοντας τη συσκευή. Όταν η θερμοκρασία στη συσκευή φτάσει στην καθορισμένη θερμοκρασία, η λειτουργία αντιστάθμισης χαμηλής θερμοκρασίας απενεργοποιείται αυτόματα.

13. Συναγερμός ανοίγματος πόρτας

Εάν η πόρτα παραμείνει ανοιχτή για πάνω από 1 λεπτό, ο βομβητής θα ηχησει για να ειδοποιήσει μέχρι να κλείσει η πόρτα ή να πατηθεί οποιοδήποτε πλήκτρο στην οθόνη οθόνης και, στη συνέχεια, ο βομβητής θα σταματήσει να ηχεί.



Συμβουλές εξοικονόμησης ενέργειας

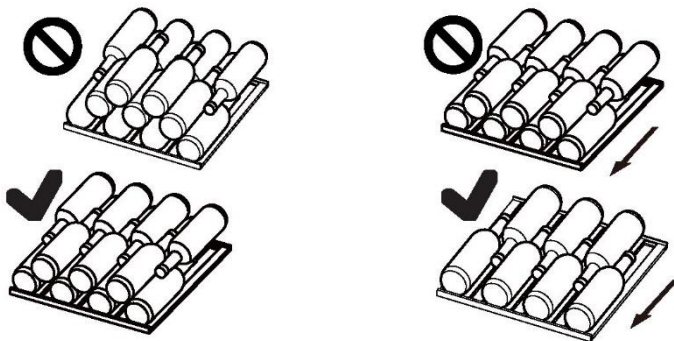
- ▶ Βεβαιωθείτε ότι η συσκευή αερίζεται σωστά (δείτε ΕΓΚΑΤΑΣΤΑΣΗ).
- ▶ Μην εγκαθιστάτε τη συσκευή σε σημείο με άμεσο ηλιακό φως ή κοντά σε πηγές θερμότητας (π.χ. σόμπες, θερμαντήρες).
- ▶ Αποφύγετε την άσκοπα χαμηλή θερμοκρασία στη συσκευή. Η κατανάλωση ενέργειας αυξάνεται όσο χαμηλότερη είναι η θερμοκρασία στη συσκευή.
- ▶ Να ανοίγετε την πόρτα της συσκευής όσο το δυνατόν λιγότερες φορές και για όσο πιο σύντομα γίνεται.
- ▶ Μην υπερβαίνετε την προβλεπόμενη ποσότητα φιαλών για να αποφύγετε την παρεμπόδιση της ροής του αέρα.
- ▶ Διατηρείτε τα λάστιχα της πόρτας καθαρά, ώστε η πόρτα να κλείνει πάντα σωστά.
- ▶ Η διαμόρφωση εξοικονόμησης ενέργειας απαιτεί το συρτάρι, το κουτί τροφίμων και τα ράφια να μπουν στη θέση τους στη συσκευή όπως ακριβώς είναι, δηλαδή στην εργοστασιακή τους κατάσταση, και τα τρόφιμα πρέπει να τοποθετηθούν έτσι ώστε να μην εμποδίζεται η έξοδος αέρα του αγωγού.

1. Ράφι


1. Τα ράφια είναι σχεδιασμένα για εύκολη αποθήκευση και εύκολη αφαίρεση του κρασιού. Μπορούν να καθαριστούν με μια μαλακή πετσέτα.
2. Τα κανονικά μπουκάλια με διάμετρο 76 mm μπορούν να στοιβάζονται.
3. Τα μπουκάλια Magnum μπορούν να στοιβάζονται στο κάτω ράφι.
4. Η ποσότητα μπορεί να διαφέρει από τον αριθμό ή τις φιάλες που απεικονίζονται, εάν στοιβάζονται με διαφορετικό τρόπο.

Συμβουλές για τη διάταξη του συντηρητή κρασιών σας

Συνιστούμε ο αριθμός των φιαλών κρασιού να μην υπερβαίνει τις δύο στρώσεις σε κάθε ράφι και η φέρουσα ικανότητα των ραφιών κρασιού να μην υπερβαίνει τα 20 κιλά. Πριν τοποθετήσετε τα μπουκάλια μέσα στον συντηρητή κρασιών, επιβεβαιώστε εάν τα ράφια κρασιού είναι εντελώς σταθερά ή όχι. Επιπλέον, επιβεβαιώστε εάν κάποιο μπουκάλι προεξέχει ή όχι από τα ράφια για να αποτρέψετε τα μπουκάλια να χτυπήσουν τη γυάλινη πόρτα κατά το κλείσιμο.



2. Φωτισμός

Η εσωτερική λυχνία LED ανάβει όταν ανοίγει η πόρτα. Για να ανάψετε το φως ενώ η πόρτα είναι κλειστή, αγγίξτε το κουμπί  LIGHT. Για να σβήσετε τα φώτα, αγγίξτε ξανά το κουμπί. Για να αυξήσετε την ενεργειακή απόδοση, τα φώτα πρέπει να σβήνουν όταν δεν βλέπετε τον συντηρητή κρασιών.

3. Η κλειδαριά

Για να κλειδώσετε τον συντηρητή κρασιών, κλείστε την πόρτα και βάλτε το κλειδί στην κλειδαριά:

- ▶ Κλειδώστε την πόρτα στρέφοντας το κλειδί αριστερόστροφα.
- ▶ Ξεκλειδώστε την πόρτα γυρίζοντας το κλειδί δεξιόστροφα.

1. Απόψυξη

Η απόψυξη του συντηρητή κρασιών γίνεται αυτόματα. Δεν απαιτείται χειροκίνητη λειτουργία.

2. Αντικατάσταση του λαμπτήρα LED

Ο φωτισμός χρησιμοποιεί λυχνίες LED ως πηγή φωτός, που χαρακτηρίζονται για τη χαμηλή κατανάλωση ενέργειας και τη μεγάλη διάρκεια ζωής τους. Εάν υπάρχει κάποια ανωμαλία, επικοινωνήστε με την εξυπηρέτηση πελατών. Δείτε την ενότητα ΕΞΥΠΗΡΕΤΗΣΗ ΠΕΛΑΤΩΝ.



ΠΡΟΕΙΔΟΠΟΙΗΣΗ!

Μην αντικαθιστάτε μόνοι σας τον λαμπτήρα LED. Πρέπει να αντικατασταθεί μόνο είτε από τον κατασκευαστή είτε από τον εξουσιοδοτημένο αντιπρόσωπο σέρβις.

Παράμετροι λαμπτήρα LED:

Τάση 12V, Μέγιστη ισχύς: 8 W (για HWS84GA και HWS84GNF, HWS66GGE)

Τάση 12V, Μέγιστη ισχύς: 5 W (για HWS49GAE και HWS49GA)

3. Μη χρήση για μεγαλύτερα διαστήματα

Αποσυνδέστε το καλώδιο τροφοδοσίας.

Καθαρίστε τη συσκευή και τα λάστιχα της πόρτας όπως περιγράφεται παραπάνω.

Κρατήστε την πόρτα ανοικτή για να αποτρέψετε τη δημιουργία δυσσομίας στο εσωτερικό.

4. Μετακίνηση της συσκευής

1. Αφαιρέστε όλα τα μπουκάλια και αποσυνδέστε τη συσκευή από την πρίζα.

2. Ασφαλίστε τα ράφια και τα άλλα κινητά μέρη στον συντηρητή κρασιών με αυτοκόλλητη ταινία.

3. Μην γέρνετε τον συντηρητή κρασιών περισσότερο από 45° ώστε να αποφύγετε ζημιά στο ψυκτικό σύστημα.

5. Ανταλλαγή αέρα με φίλτρο ενεργού άνθρακα

Ο τρόπος με τον οποίο τα κρασιά συνεχίζουν να ωριμάζουν εξαρτάται από τις συνθήκες του περιβάλλοντος. Η ποιότητα του αέρα είναι επομένως καθοριστική για τη διατήρηση του κρασιού. Ένα φίλτρο ενεργού άνθρακα έχει τοποθετηθεί στην κάτω περιοχή του οπίσθιου τοιχώματος της συσκευής για να διατηρεί τη βέλτιστη ποιότητα.



Σημείωση

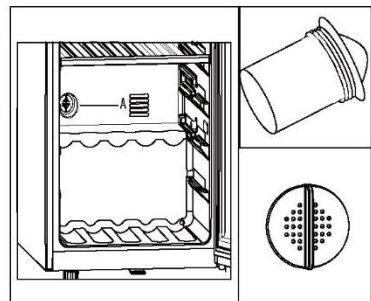
Συνιστούμε να αντικαθιστάτε το φίλτρο μία φορά το χρόνο. Μπορείτε να προμηθευτείτε φίλτρα από τον αντιπρόσωπό σας.

Αλλαγή του φίλτρου:

Πιάστε το φίλτρο από τη λαβή. Γυρίστε το προς τα αριστερά και αφαιρέστε το.

Τοποθέτηση του φίλτρου:

Εισαγάγετε με τη λαβή σε κάθετη θέση. Γυρίστε το προς τα δεξιά και τοποθετήστε το.



Πολλά προβλήματα που παρουσιάζονται θα μπορούσαν να επιλυθούν από τον εαυτό σας χωρίς ειδική εμπειρογνωμοσύνη. Σε περίπτωση προβλήματος, ελέγξτε όλες τις εμφανιζόμενες δυνατότητες και ακολουθήστε τις παρακάτω οδηγίες προτού επικοινωνήσετε με το τμήμα εξυπηρέτησης πελατών μετά την πώληση. Δείτε την ενότητα ΕΞΥΠΗΡΕΤΗΣΗ ΠΕΛΑΤΩΝ.



ΠΡΟΕΙΔΟΠΟΙΗΣΗ!

- ▶ Πριν από τη συντήρηση, απενεργοποιήστε τη συσκευή και αποσυνδέστε το φις από την πρίζα.
- ▶ Ο ηλεκτρικός εξοπλισμός πρέπει να συντηρείται μόνο από εξειδικευμένους ηλεκτρολόγους, επειδή οι ακατάλληλες επισκευές μπορούν να προκαλέσουν σημαντικές επακόλουθες ζημιές.
- ▶ Μια κατεστραμμένη τροφοδοσία θα πρέπει να αντικατασταθεί από τον κατασκευαστή ή τον αντιπρόσωπο του σέρβις ή παρόμοια εξουσιοδοτημένα πρόσωπα, προς αποφυγή του κινδύνου.

Κωδικός σφάλματος	Αιτία	Λύση
rH	Η θερμοκρασία είναι πολύ υψηλή.	Επικοινωνήστε με το τμήμα εξυπηρέτησης πελατών μετά την πώληση. Ελέγξτε την θερμοκρασία περιβάλλοντος η οποία πρέπει να είναι μεταξύ 10 °C και 38 °C.
rL	Η θερμοκρασία είναι πολύ χαμηλή.	

Πρόβλημα	Πιθανή αιτία	Πιθανή λύση
Ο συμπιεστής δεν λειτουργεί.	<ul style="list-style-type: none"> • Το βύσμα δικτύου δεν είναι συνδεδεμένο στην πρίζα. 	<ul style="list-style-type: none"> • Συνδέστε την πρίζα.
Η συσκευή λειτουργεί συχνά ή λειτουργεί για πολύ μεγάλο χρονικό διάστημα.	<ul style="list-style-type: none"> • Η εξωτερική θερμοκρασία είναι πολύ υψηλή. • Η συσκευή απενεργοποιήθηκε για ένα χρονικό διάστημα. • Η πόρτα της συσκευής δεν είναι ερμητικά κλειστή. • Η πόρτα ανοίγει πολύ συχνά ή για μεγάλα χρονικά διαστήματα. • Το λάστιχο της πόρτας είναι βρώμικο, φθαρμένο, με ρωγμές ή δεν ταιριάζει. • Η απαιτούμενη κυκλοφορία του αέρα δεν είναι εγγυημένη. • Η θερμοκρασία είναι πολύ χαμηλή. 	<ul style="list-style-type: none"> • Είναι φυσιολογικό η συσκευή να λειτουργεί περισσότερο. • Κανονικά, χρειάζεται κάποιο χρονικό διάστημα για να κρυώσει εντελώς η συσκευή. • Κλείστε την πόρτα και βεβαιωθείτε ότι η συσκευή βρίσκεται σε επίπεδη επιφάνεια και ότι δεν υπάρχει τροφή ή δοχείο που να μπλοκάρει την πόρτα. • Μην ανοίγετε την πόρτα πολύ συχνά. • Καθαρίστε το λάστιχο της πόρτας ή αντικαταστήστε το από την εξυπηρέτηση πελατών. • Εξασφαλίστε επαρκή αερισμό. • Το πρόβλημα θα λυθεί μόνο του όταν επιτευχθεί η επιθυμητή θερμοκρασία.
Το εσωτερικό του συντηρητή κρασιών είναι βρώμικο ή/και μυρίζει άσχημα.	<ul style="list-style-type: none"> • Το εσωτερικό του συντηρητή κρασιών χρειάζεται καθαρίσμα. 	<ul style="list-style-type: none"> • Καθαρίστε το εσωτερικό του συντηρητή κρασιών.
Δεν υπάρχει αρκετή ψύξη στο εσωτερικό της συσκευής.	<ul style="list-style-type: none"> • Η θερμοκρασία είναι πολύ υψηλή. • Προστέθηκαν μπουκάλια πρόσφατα. • Η πόρτα της συσκευής δεν είναι ερμητικά κλειστή. • Η πόρτα ανοίγει πολύ συχνά ή για μεγάλα χρονικά διαστήματα. • Το λάστιχο της πόρτας είναι βρώμικο, φθαρμένο, με ρωγμές ή δεν ταιριάζει. 	<ul style="list-style-type: none"> • Επαναφέρετε τη θερμοκρασία. • Αφήστε χρόνο για τα πρόσφατα προστιθέμενα μπουκάλια να φτάσουν στην επιθυμητή θερμοκρασία. • Κλείσε την πόρτα. • Μην ανοίγετε την πόρτα πολύ συχνά. • Καθαρίστε το λάστιχο της πόρτας ή αντικαταστήστε το από την εξυπηρέτηση πελατών.
Υπάρχει αρκετή ψύξη στο εσωτερικό της συσκευής.	<ul style="list-style-type: none"> • Η θερμοκρασία είναι πολύ χαμηλή. 	<ul style="list-style-type: none"> • Επαναφέρετε τη θερμοκρασία.
Σχηματισμός υγρασίας στο εσωτερικό του διαμερίσματος του ψυγείου.	<ul style="list-style-type: none"> • Το κλίμα είναι πολύ ζεστό και πολύ υγρό. • Η πόρτα της συσκευής δεν είναι ερμητικά κλειστή. • Η πόρτα ανοίγει πολύ συχνά ή για μεγάλα χρονικά διαστήματα. 	<ul style="list-style-type: none"> • Αυξήστε τη θερμοκρασία. • Κλείσε την πόρτα. • Μην ανοίγετε την πόρτα / το συρτάρι πολύ συχνά.

Πρόβλημα	Πιθανή αιτία	Πιθανή λύση
Η υγρασία συσσωρεύεται στην εξωτερική επιφάνεια του συντηρητή κρασιών.	<ul style="list-style-type: none"> • Το κλίμα είναι πολύ ζεστό και πολύ υγρό • Η πόρτα δεν είναι ερμητικά κλειστή. Ο κρύος αέρας στη συσκευή και ο ζεστός αέρας έξω από αυτήν συμπυκνώνονται. 	<ul style="list-style-type: none"> • Αυτό είναι φυσιολογικό σε υγρό κλίμα και θα αλλάξει όταν μειώνεται η υγρασία. • Βεβαιωθείτε ότι η πόρτα είναι καλά κλεισμένη και ότι τα λάστιχα σφραγίζουν σωστά.
Η συσκευή κάνει μη φυσιολογικούς ήχους	<ul style="list-style-type: none"> • Η συσκευή δεν βρίσκεται σε επίπεδο έδαφος. • Η συσκευή αγγίζει κάποιο αντικείμενο γύρω της. 	<ul style="list-style-type: none"> • Ρυθμίστε τα πόδια για να ισιώσετε τη συσκευή. • Αφαιρέστε τα αντικείμενα γύρω από τη συσκευή.
Ένας ελαφρύς ήχος πρέπει να ακούγεται παρόμοιος με αυτόν του ρέοντος νερού.	<ul style="list-style-type: none"> • Αυτό είναι φυσιολογικό 	<ul style="list-style-type: none"> • -
Το σύστημα εσωτερικού φωτισμού ή ψύξης δεν λειτουργεί.	<ul style="list-style-type: none"> • Το βύσμα τροφοδοσίας δεν είναι συνδεδεμένο στην πρίζα. • Η παροχή ρεύματος δεν είναι άθικτη. • Η λυχνία LED είναι εκτός λειτουργίας. 	<ul style="list-style-type: none"> • Συνδέστε την πρίζα. • Ελέγξτε την παροχή ηλεκτρικού ρεύματος στο δωμάτιο. Καλέστε την τοπική εταιρεία ηλεκτρισμού. • Καλέστε την υπηρεσία για αλλαγή λαμπτήρα
Οι πλευρές του ψυγείου και το λάστιχο της πόρτας θερμαίνονται	<ul style="list-style-type: none"> • Αυτό είναι φυσιολογικό. 	<ul style="list-style-type: none"> • -
Η πόρτα δεν κλείνει σωστά	<ul style="list-style-type: none"> • Η συσκευή δεν είναι επίπεδη. • Η πόρτα είναι μπλοκαρισμένη. 	<ul style="list-style-type: none"> • Οριζοντιώστε τη συσκευή με τα πόδια οριζοντίωσης. • Ελέγξτε για μπλοκαρίσματα όπως μπουκάλια ή ράφια.

Για να επικοινωνήσετε με την τεχνική υποστήριξη, επισκεφτείτε τον ιστότοπό μας:

<https://corporate.haier-europe.com/en/>

Στην ενότητα "ιστότοπος", επιλέξτε τη μάρκα του προϊόντος σας και τη χώρα σας. Θα ανακατευθυνθείτε στον συγκεκριμένο ιστότοπο όπου μπορείτε να βρείτε τον αριθμό τηλεφώνου και τη φόρμα για να επικοινωνήσετε με την τεχνική βοήθεια.

Δελτίο προϊόντος σύμφωνα με τον κανονισμό ΕΕ υπ' αριθ. 2019/2016

Μάρκα	Haier	Haier	Haier
Όνομα μοντέλου / αναγνωριστικό	HWS49GA/ HWS49GAE	HWS84GNF	HWS84GA /HWS66GGE
Κατηγορία	Συντηρητής κρασιών	Συντηρητής κρασιών	Συντηρητής κρασιών
Κατηγορία οικιακών ψυγείων	I	I	I
Κατηγορία ενεργειακής απόδοσης	F	F	G
Ετήσια κατανάλωση ενέργειας (kWh/έτος) ¹⁾	104	110	149/153
Όγκος αποθήκευσης (L)	116/118	198	198
Κλιματική τάξη: Αυτή η συσκευή προορίζεται να χρησιμοποιηθεί σε θερμοκρασία περιβάλλοντος μεταξύ 10 °C και 38 °C.	SN N ST	SN N ST	SN N ST
Εκπομπές ακουστικού θορύβου στον αέρα (db(A) re 1pW)	C(37)	C(37)	C(37)
Τύπος συσκευής	Αυτόνομη ελεύθερη τοποθέτηση	Αυτόνομη ελεύθερη τοποθέτηση	Αυτόνομη ελεύθερη τοποθέτηση
Η συσκευή αυτή προορίζεται να χρησιμοποιηθεί αποκλειστικά για την αποθήκευση κρασιών.	Ναι	Ναι	Ναι
Διαστάσεις (Β/Π/Υ σε mm)	585/497/820	585/497/1270	585/497/1270

Επεξηγήσεις:

1) με βάση τα τυπικά αποτελέσματα των δοκιμών για 24 ώρες. Η πραγματική κατανάλωση ενέργειας εξαρτάται από το πραγματικό περιβάλλον, την ποσότητα φιαλών, τη ρυθμισμένη θερμοκρασία, το άνοιγμα και το κλείσιμο της πόρτας, κ.λπ.

2) Η ονομαστική κατανάλωση ενέργειας είναι η τιμή που προκύπτει σύμφωνα με την τυπική δοκιμή όταν το ερμάριο κρασιών δεν ανάβει το εσωτερικό φως.

- Εκτεταμένη εύκρατη: 'Αυτή η ψυκτική συσκευή προορίζεται να χρησιμοποιηθεί σε θερμοκρασίες περιβάλλοντος από 10 °C έως 32 °C',

- Εύκρατη: 'Αυτή η ψυκτική συσκευή προορίζεται να χρησιμοποιηθεί σε θερμοκρασίες περιβάλλοντος από 16 °C έως 32 °C',

- Υποτροπική: 'Αυτή η ψυκτική συσκευή προορίζεται να χρησιμοποιηθεί σε θερμοκρασίες περιβάλλοντος από 16 °C έως 38 °C',

- Τροπική: 'Αυτή η ψυκτική συσκευή προορίζεται να χρησιμοποιηθεί σε θερμοκρασίες περιβάλλοντος από 16 °C έως 43 °C',

Πρότυπα και οδηγίες

Αυτό το προϊόν πληροί τις απαιτήσεις όλων των εφαρμοστέων οδηγιών της ΕΚ με τα αντίστοιχα εναρμονισμένα πρότυπα, τα οποία προβλέπονται για την σήμανση CE.

Συνιστούμε την Εξυπηρέτηση Πελατών της Haier και τη χρήση γνήσιων ανταλλακτικών.

Εάν έχετε κάποιο πρόβλημα με τη συσκευή σας, ελέγξτε πρώτα την ενότητα ΑΝΤΙΜΕΤΩΠΙΣΗ ΠΡΟΒΛΗΜΑΤΩΝ.

Εάν δεν μπορείτε να βρείτε μια λύση εκεί, επικοινωνήστε

- ▶ ο τοπικός σας αντιπρόσωπος ή
- ▶ την περιοχή Service & Support στην ηλεκτρονική διεύθυνση www.haier.com, όπου μπορείτε να βρείτε αριθμούς τηλεφώνου και συχνές ερωτήσεις και όπου μπορείτε να ανοίξετε ένα αίτημα συντήρησης.

Για να επικοινωνήσετε με την Υπηρεσία μας, βεβαιωθείτε ότι έχετε τα ακόλουθα δεδομένα διαθέσιμα.

Οι πληροφορίες μπορείτε να βρείτε στην πινακίδα αξιολόγησης.

Μοντέλο _____ Σειριακός αριθμός: _____

Επίσης, ελέγξτε την Κάρτα Εγγύησης που παρέχεται με το προϊόν σε περίπτωση εγγύησης.

Για γενικές επιχειρηματικές ερωτήσεις, βρείτε τις διευθύνσεις μας στην Ευρώπη παρακάτω:

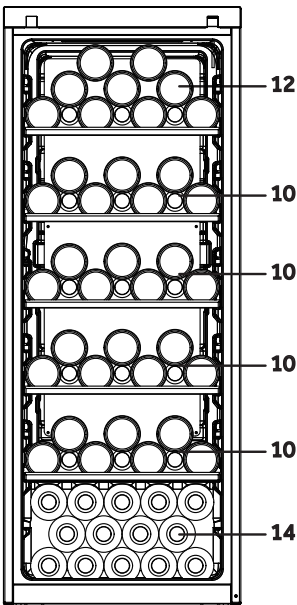
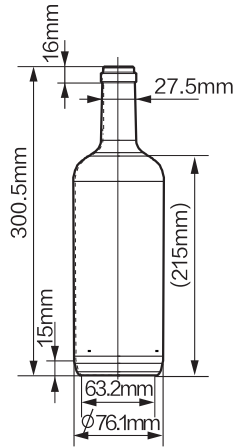
Ευρωπαϊκές διευθύνσεις Haier

Χώρα*	Ταχυδρομική διεύθυνση	Χώρα	Ταχυδρομική διεύθυνση
Ιταλία	Haier Europe Trading SRL Via De Cristoforis, 12 21100 Verese ΙΤΑΛΙΑ	Γαλλία	Haier Europe Trading SRL Via De Cristoforis, 12 21100 Verese ΙΤΑΛΙΑ
Ισπανία Πορτογαλία	Haier Iberia SL Pg. Garcia Faria, 49-51 08019 Βαρκελώνη ΙΣΠΑΝΙΑ	Βέλγιο-FR Βέλγιο-NL Ολλανδία Λουξεμβούργο	Haier Benelux SA Άντερλεχτ Route de Lennik 451 ΒΕΛΓΙΟ
Γερμανία Αυστρία	Haier Deutschland GmbH Hewlett-Packard-Str. 4 D-61352 Bad Homburg ΓΕΡΜΑΝΙΑ	Πολωνία Τσεχία Ουγγαρία Ελλάδα Ρουμανία Ρωσία	Haier Poland Sp. zo.o. Al. (αργίλιο) Jerozolimskie 181B 02-222 Βαρσοβία ΠΟΛΩΝΙΑ
Ηνωμένο Βασίλειο	Haier Appliances UK Co.Ltd. One Crown Square Church Street East Woking, Surrey, GU21 6HR Ηνωμένο Βασίλειο		

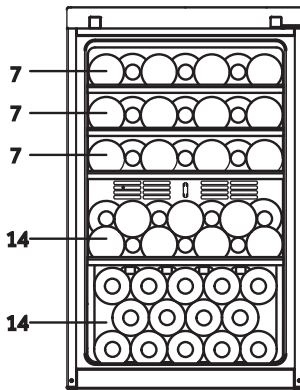
ΔΙΑΘΕΣΙΜΟΤΗΤΑ ΑΝΤΑΛΛΑΚΤΙΚΩΝ: Θερμοστάτες, αισθητήρες θερμοκρασίας, πλακέτες τυπωμένων κυκλωμάτων και πηγές φωτός διατίθενται για επτά τουλάχιστον χρόνια μετά τη διάθεση της τελευταίας μονάδας του μοντέλου στην αγορά. Λαβές πόρτας, μεντεσέδες πόρτας, δίσκοι και καλάθια για περίοδο τουλάχιστον επτά ετών και λάστιχα πόρτας για ελάχιστη περίοδο 10 ετών, μετά τη διάθεση και της τελευταίας μονάδας του μοντέλου στην αγορά

Η ελάχιστη εγγύηση είναι: 2 χρόνια για τις χώρες της ΕΕ, 3 χρόνια για τη Τουρκία, 1 χρόνο για το Ηνωμένο Βασίλειο, 1 χρόνο για τη Ρωσία, 3 χρόνια για τη Σουηδία, 2 χρόνια για τη Σερβία, 5 χρόνια για τη Νορβηγία, 1 χρόνο για το Μαρόκο, 6 μήνες για την Αλγερία, για την Τυνησία δεν απαιτείται νομική εγγύηση.

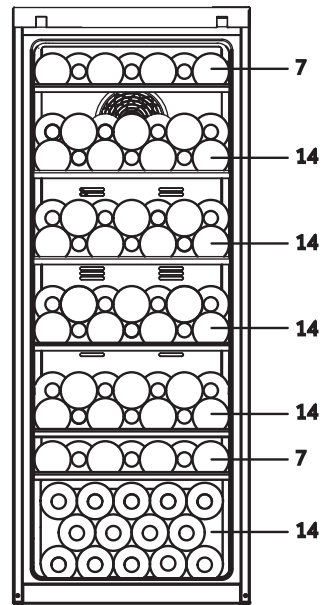
Για περισσότερες πληροφορίες σχετικά με το προϊόν, συμβουλευτείτε τη διεύθυνση <https://eprel.ec.europa.eu/> ή σαρώστε τον κωδικό QR στην ενεργειακή ετικέτα που παρέχεται με τη συσκευή.



(66)
HWS66GGE



(49)
HWS49GA
HWS49GAE



(84)
HWS84GA
HWS84GNF

HWS-84GA-49GA-49GAE-84GNF-66GGE-EL

Haier



Felhasználói kézikönyv

Borhűtő

HWS84GA

HWS84GNF

HWS49GA

HWS49GAE

HWS66GGE

HU

Haier

Köszönjük, hogy Haier terméket vásárolt.

A készülék használata előtt olvassa el figyelmesen ezeket az utasításokat. Az utasítások fontos információkat tartalmaznak, amelyek segítenek abban, hogy a lehető legtöbbet hozza ki a készülékből, és szavatolják a biztonságos és megfelelő telepítést, használatot és karbantartást.

Tartsa ezt a kézikönyvet könnyen elérhető helyen, hogy bármikor fellapozhassa a készülék biztonságos és megfelelő használatához.

Ha eladja a készüléket, elajándékozza, vagy a lakásban hagyja költözéskor, győződjön meg arról, hogy ezt a kézikönyvet is átadja, hogy az új tulajdonos megismerhesse a készüléket és a biztonsági figyelmeztetéseket.



Jelmagyarázat

Figyelmeztetés - Fontos biztonsági információk



Általános információk és tippek



Környezetvédelmi információk



Ártalmatlanítás

Járuljon hozzá a környezet és az emberi egészség védelméhez. Az újrahasznosítás érdekében a csomagolást a megfelelő hulladéktárolóba selejtezze ki. Járuljon hozzá az elektromos és elektronikus berendezések hulladékainak az újrahasznosításához. Ne a háztartási hulladékkal együtt dobja ki az ezzel a szimbólummal jelölt készülékeket. Vigye vissza a terméket a helyi újrahasznosító létesítménybe, vagy vegye fel a kapcsolatot a helyi hivatallal.



FIGYELMEZTETÉS:

Sérülés vagy fulladás veszélye!

A hűtőközegeket és a gázokat szakszerűen kell ártalmatlanítani. Győződjön meg a hűtőkör csövének a sértetlenségéről, mielőtt megfelelően ártalmatlanítaná. Válassza le a készüléket a hálózati tápellátásról. Vágja el a hálózati kábelt és selejtezze ki. Távolítsa el a tálcákat és fiókokat, valamint az ajtóreteszt és a tömítéseket, hogy megakadályozza a gyermekek és háziállatok bezáródását a készülékbe.

A régi készülékek még mindig rendelkeznek némi maradványértékkel. A környezetbarát ártalmatlanítási módszer biztosítani fogja, hogy az értékes nyersanyagokat vissza lehessen nyerni és újra fel lehessen használni.

A ciklopentánt, az ózonra nem ártalmas gyúlékony anyagot a szigetelőhab tágitójaként használják.

Azáltal, hogy biztosítja a termék megfelelő ártalmatlanítását, segít megelőzni a környezetre és az emberi egészségre gyakorolt esetleges káros következményeket, amelyek egyébként előfordulhatnak.

A termék újrahasznosítására vonatkozó részletesebb tájékoztatás ügyében tájékozódjon a helyi önkormányzatnál, a háztartási hulladékot kezelő szolgáltatónál vagy az üzletben, ahol a terméket vásárolta, ahol szakemberek állnak rendelkezésére.

1 - Biztonsági információk.....	4
2 - Biztonsági tippek	7
3 - Karbantartás	11
4 - Tartozékok.....	13
5 - Termékleírás.....	14
6 - Telepítés.....	15
7 - Használat.....	18
8 - Energiatakarékossági tippek.....	21
9 - Berendezés.....	22
10 - Ápolás és tisztítás	23
11 - Hibaelhárítás	24
12 - Műszaki adatok.....	27
13 - Ügyfélszolgálat.....	28
14 - Borosüvegek egymásra helyezése.....	29

A készüléket kizárólag bor tárolására használja. A készülék első bekapcsolása előtt olvassa el a következő biztonsági tanácsokat:



FIGYELMEZTETÉS:

Első használat előtt

- ▶ Győződjön meg arról, hogy szállítás során a termék nem sérült.
- ▶ Távolítsa el az összes csomagolóanyagot, és ezeket tartsa gyermekektől elzárva, kiselejtezésüket pedig környezetbarát módon végezze.
- ▶ A készülék telepítése előtt várjon legalább két órát a hűtőkör teljes hatékonyságának biztosítása érdekében.
- ▶ Mivel a készülék nehéz, mindig legalább két személy szükséges a kezeléséhez vagy mozgatásához.

Telepítés

- ▶ A készüléket jól szellőző helyre telepítse. Biztosítson legalább 10 cm-es helyet a készülék felett és körül.
- ▶ **FIGYELMEZTETÉS:** A berendezés tokozásában vagy a beépített szerkezetben a ventilációs nyílásokat hagyja akadálymentesen.
- ▶ Soha ne helyezze a készüléket nedves területre vagy olyan helyre, ahol víz fröccsenhet rá. A vízfröccsenéseket és a foltokat törölje le és szárítsa puha, tiszta törülközővel.
- ▶ Ne telepítse a borhűtőt nem megfelelően szigetelt vagy fűtött helyre, pl. garázsba stb. A borhűtőt nem arra tervezték, hogy 10 °C alatti környezeti hőmérsékleten működjön.
- ▶ Ne szerelje be a készüléket közvetlen napsugárzásnak kitett helyre vagy hőforrások (pl. kályhák, fűtőberendezések) közelébe.
- ▶ A méretének és felhasználásnak megfelelő helyre szerelje be és állítsa szintbe a készüléket.
- ▶ Bizonyosodjon meg arról, hogy az adattáblán olvasható elektromos jellemzők megfelelnek az elérhető tápellátás jellemzőinek. Ellenkező esetben forduljon villanszerelőhöz.
- ▶ A készülék 220–240 V váltóáramú, 50 Hz-es tápellátást igényel. A rendellenes feszültség-ingadozás nyomán előfordulhat, hogy a készülék nem indul be, károsodhat a hőmérséklet-vezérlő vagy a kompresszor, illetve működés során rendellenes zaj jelentkezhet. Hasonló esetben szereljen fel automatikus feszültség szabályozót.
- ▶ Ne használjon többdugós adaptereket és hosszabbítókábeleket.



FIGYELMEZTETÉS:

- ▶ **FIGYELMEZTETÉS:** Ne helyezzen több hordozható csatlakozót vagy hordozható tápegységet a berendezés mögé.
- ▶ **FIGYELMEZTETÉS:** A berendezés elhelyezésekor ellenőrizze, hogy a tápkábel nincs-e beszorulva vagy nem sérült-e.
- ▶ Ne lépjen a tápkábelre.
- ▶ A tápegységhez külön földelt aljzatot használjon, amely könnyen hozzáférhető. A készülék mindenképpen földelésre szorul.
- ▶ **Csak az Egyesült Királyság esetén:** A készülék tápkábele 3 érintkezős (földeléses) dugasszal rendelkezik, amelyik szabványos 3 érintkezős (földeléses) aljzathoz illeszkedik. Soha ne vágja le vagy távolítsa el a harmadik érintkezőt (földelést). A készülék beszerelését követően a dugasznak hozzáférhetőnek kell maradnia.
- ▶ **FIGYELMEZTETÉS:** Ne okozza a hűtőközeg kör sérülését.

Napi használat

- ▶ A berendezést 8 évnél idősebb gyermekek vagy csökkent fizikai, érzékszervi vagy mentális képességű, vagy tapasztalattal és ismerettel nem rendelkező személyek akkor használhatják, ha felügyelet alatt állnak vagy ha megfelelő utasításokkal látták el őket a berendezés biztonságos használatát illetően, és megértették a használatból eredő veszélyeket.
- ▶ Gyermekek nem játszhatnak a berendezéssel.
- ▶ A 3 és 8 év közötti gyermekek be- és kirakodhatják a hűtőkészülékeket, de tisztításukat és szerelésüket nem végezhetik.
- ▶ Tartsa távol a 3 évesnél fiatalabb gyermekeket a készüléktől, kivéve, ha biztosítja a folyamatos felügyeletet.
- ▶ A berendezés tisztítását és karbantartását gyermekek csak felügyelet mellett végezhetik.
- ▶ A készüléket úgy kell elhelyezni, hogy a csatlakozó hozzáférhető legyen.
- ▶ Ha városi gáz vagy más gyúlékony gáz szivárog a készülék közelében, zárja el a szivárgó gáz szelepét, nyissa ki az ajtókat és ablakokat, és ne húzza ki a készülék tápkábelét.
- ▶ Az áramellátás visszakapcsolása előtt várjon legalább 7 percet az áramellátás kikapcsolásától számítva.
- ▶ Ne emelje a készüléket az ajtófogantyúktól.
- ▶ A kulcsokat gyermekek elől elzárva kell tartani, és tilos a készülék közelében tartani, ezzel megelőzve gyermekek készülékbe záródását.



FIGYELMEZTETÉS:

- ▶ Vegye figyelembe, hogy a készülék 10 °C és 38 °C közötti környezeti hőmérsékleten való működésre készült. Előfordulhat, hogy a készülék nem működik megfelelően, ha hosszabb ideig a jelzett tartomány feletti vagy alatti hőmérsékleten üzemel.
- ▶ Ne helyezzen instabil cikkeket (nehéz tárgyakat, vízzel teli edényeket) a készülék tetejére, elkerülve így a személyi sérüléseket, amiket ezen tárgyak leesése vagy a vízzel való érintkezés nyomán bekövetkező áramütés okozhat.
- ▶ Az ajtó nyitását vagy becsukását kizárólag a fogantyúkkal végezze. Az ajtó és a szekrény közötti rés nagyon szűk. Ne tegye a kezét ezekre a területekre, mivel az ujjai becsípődhetnek. Csak akkor nyissa ki vagy csukja be a készülék ajtaját, ha nem állnak gyermekek az ajtó mozgási tartományán belül.
- ▶ Ne tároljon, ill. használjon gyúlékony, robbanásveszélyes vagy maró hatású anyagokat a készülékben vagy a közelében.
- ▶ Ne tároljon robbanásveszélyes anyagokat, például gyúlékony hajtóanyagot tartalmazó aeroszolos palackot a berendezésben.
- ▶ A készülékben ne tároljon gyógyszereket, baktériumokat vagy vegyszereket. A készülék háztartási felhasználásra készült. Nem megfelelő szigorú tárolási hőmérséklet-tartományt igénylő anyagok tárolására.
- ▶ Ne állítson be szükségtelenül alacsony hőmérsékletet a borszekrény rekeszben. Magas teljesítménybeállítások esetén mínusz fokok alakulhatnak ki. Figyelem: A palackok szétrobbanhatnak
- ▶ Működés közben ne érintse meg a készülék belső felületét, különösen nedves kézzel, mert a keze a felülethez fagyhat.
- ▶ A megfelelő borhűtés érdekében ne terhelje túl a készüléket.
- ▶ Áramszünet esetén vagy tisztítás előtt húzza ki a készüléket az aljzatból. A készülék újraindítása előtt várjon legalább 7 percet, mivel a készülék gyakori indítása során károsodhat a kompresszor.
- ▶ **FIGYELMEZTETÉS:** Ne használjon elektromos készülékeket a készüléken belül, kivéve a gyártó által jóváhagyott típust. A kockázatok elkerülése érdekében a sérült tápkábelt kötelezően ki kell cserélni, ezt pedig csak az ügyfélszolgálat munkatársa végezheti el (lásd a jótállási jegyet).
- ▶ A készülék élettartamának meghosszabbítása érdekében kerülje a kikapcsolását.
- ▶ Soha ne fektesse a készüléket vízszintesen a földre. Ha 45°-nál nagyobb mértékben megdőntötte a készüléket, várjon 24 órát, mielőtt csatlakoztatná.

**FIGYELMEZTETÉS:****Karbantartás / tisztítás**

- ▶ Gondoskodjon a gyermekek felügyeletéről, ha tisztítást vagy karbantartást végeznek.
- ▶ A rutinszerű karbantartás megkezdése előtt húzza ki a készüléket a villanyhálózatból. A készülék újraindítása előtt várjon legalább 7 percet, mivel a készülék gyakori indítása során károsodhat a kompresszor.
- ▶ A készülék aljzatból való leválasztásakor ne a kábelt, hanem a csatlakozódugót húzza.
- ▶ Ne tisztítsa a készüléket keménysörtés kefékkel, drótkefékkel, mosóporral, benzinnel, amil-acetáttal, acetonnal és hasonló szerves oldatokkal, valamint savas vagy lúgos oldatokkal. A károsodások elkerülése érdekében a hűtőszekrény/fagyasztó tisztítását speciális, adott célra kialakított tisztítószerrel végezze. Esetleg használjon meleg vizet és szódabikarbóna oldatot: körülbelül egy evőkanál szódabikarbónát adagoljon egy liter vízhez. Öblítse át alaposan vízzel, majd törölje szárazra. Ne használjon poralapú tisztítószert vagy egyéb súrolószert. Az eltávolítható alkatrészeket ne mossa mosogatógépből.
- ▶ **FIGYELMEZTETÉS:** A kiolvasztási folyamat felgyorsításához csak a gyártó által javasolt mechanikai berendezéseket vagy egyéb eszközöket használja.
- ▶ Ha a tápkábel megsérül, a veszély elkerülése érdekében cseréltesse ki a gyártóval, a gyártó szervizközpontjával vagy más szakemberrel.
- ▶ Ne tegyen kísérletet a készülék saját kezű javítására, szétszerelésére vagy módosítására. Javítás szükségessége esetén vegye fel a kapcsolatot az ügyfélszolgálatunkkal.
- ▶ Ha a világítószerveléyek megsérülnek, a veszély elkerülése érdekében cseréltesse ki azokat a gyártóval, a gyártó szervizközpontjával vagy hasonlóan képzett szakemberrel.
- ▶ Évente legalább egyszer távolítsa el a port a készülék hátoldaláról, így elkerülve a tűzveszélyt, valamint a megnövekedett energiafogyasztást.

- ▶ Tisztítás közben ne permetezze vagy öblítse le a készüléket.
- ▶ Ne használjon vízpermetet vagy gózt a készülék tisztításához.
- ▶ A hideg üvegajtót ne tisztítsa forró vízzel. A hirtelen hőmérséklet-változás nyomán az üveg megrepedhet.
- ▶ Ha hosszabb ideig nem használja a készüléket, hagyja nyitva, hogy megakadályozza az állott és kellemetlen szagok kialakulását.

Gázalapú hűtőközegre vonatkozó információk



FIGYELMEZTETÉS:

A készülék gyúlékony IZOBUTÁN (R600a) hűtőközeget tartalmaz. Győződjön meg arról, hogy a hűtőközeg köre nem sérült meg szállítás vagy beszerelés közben. A szivárgó hűtőközeg szemsérülést okozhat, vagy belobbanhat. Sérülés esetén tartsa távol a tűzforrásokat, szellőztesse ki alaposan a helyiséget, **ne** csatlakoztassa, vagy húzza ki a készülék vagy egyéb készülék tápkábelét. Tájékoztassa az ügyfélszolgálatot.

Ha a hűtőközeg szembe kerül, azonnal öblítse ki folyó víz alatt, és azonnal forduljon szemész szakorvoshoz.

FIGYELMEZTETÉS: A hűtőrendszerben nagy nyomás uralkodik. Ne tegyen kísérletet semmilyen beavatkozásra. Mivel a készülék gyúlékony hűtőközeget használ, kérjük, a készüléket szigorúan az utasításoknak megfelelően telepítse, kezelje és szervizelje, a készülék kiselejtezése tekintetében pedig vegye fel a kapcsolatot és lépjen kapcsolatba szakemberrel vagy a vevőszolgálat munkatársaival.

Rendeltetésszerű használat


A berendezések kizárólag háztartási célra vagy hasonló alkalmazásokban használhatók, pl.:

- üzletek, irodák és egyéb gazdasági munkakörnyezetek személyzeti konyhája;
 - falusi vendéglátás és ügyfelek szállodákban, motelekben és egyéb szállást adó helyeken;
 - szállást és reggelit biztosító szállások;
 - vendéglátás, és hasonló nem kiskereskedelmi alkalmazások.
- ▶ A bor biztonságos megőrzése érdekében, kérjük, tartsa be ezt a használati utasítást.
- ▶ A készülék rekeszének azon legmegfelelőbb részére vonatkozó részletek, ahol meghatározott típusú élelmiszerek tárolhatók, figyelembe véve a készülék különböző rekeszeiben esetlegesen előforduló hőmérséklet eloszlását, a kézikönyv másik részében található.

A készüléken változtatások vagy módosítások végrehajtása nem megengedett. A nem rendeltetésszerű használat veszélyeket eredményezhet, illetve a szavatossági igények érvénytelenítésével járhat.

Ártalmatlanítás



A terméken vagy a csomagolásán található  szimbólum azt jelzi, hogy a termék nem kezelhető háztartási hulladékként. A készüléket ehelyett adja le elektromos és elektronikus berendezések újrahasznosítására létesített megfelelő gyűjtőpontban. Azáltal, hogy biztosítja a termék megfelelő ártalmatlanítását, segít megelőzni a környezetre és az emberi egészségre gyakorolt esetleges negatív következményeket, amelyek egyébként előfordulhatnak a termék nem megfelelő hulladékkezelése esetén. A termék újrahasznosítására vonatkozó részletesebb tájékoztatás ügyében tájékozódjon a helyi önkormányzatnál, a háztartási hulladékot kezelő szolgáltatónál vagy az üzletben, ahol a terméket vásárolta.

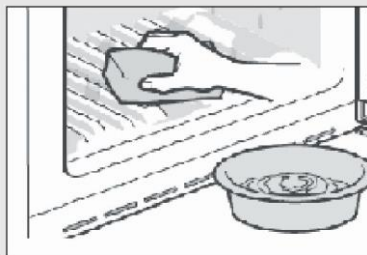
Mivel a készülék gyártása során gyúlékony szigetelésfűvő-gázokat használtunk, kérjük, a készülék ártalmatlanítása érdekében vegye fel a kapcsolatot szakemberrel vagy a vevőszolgálat munkatársaival.

FIGYELMEZTETÉS!

Sérülés vagy fulladás veszélye!

A hűtőközegeket és a gázokat szakszerűen kell ártalmatlanítani. Győződjön meg a hűtőkör csövének a sértetlenségéről, mielőtt megfelelően ártalmatlanítaná. Válassza le a készüléket a hálózati tápellátásról. Vágja el a hálózati kábelt és selejtezze ki. Távolítsa el a tálcákat és fiókokat, valamint az ajtóreteszt és a tömítéseket, hogy megakadályozza a gyermekek és háziállatok bezáródását a készülékbe.

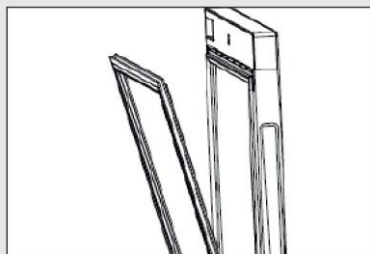
- ▶ **FIGYELMEZTETÉS:** Tisztítás előtt válassza le a hálózatról a készüléket.
- ▶ Ne tisztítsa a készüléket keménysörtés kefékkel, drótkefékkel, mosóporral, benzinnel, amil-acetáttal, acetonnal és hasonló szerves oldatokkal, valamint savas vagy lúgos oldatokkal. A károsodások elkerülése érdekében a hűtőszekrény tisztítását speciális, adott célra kialakított tisztítószerrel végezze.
- ▶ Akkor tisztítsa meg a készüléket, ha a készülékben kevés bor található, vagy amikor üres. A készülék csak szennyeződött állapot esetén igényel tisztítást.
- ▶ Tisztítsa meg a készülék belsejét és burkolatát meleg vízzel és semleges tisztítószerrel átnedvesített szivaccsal.
- ▶ Öblítse le tiszta, meleg vízzel, és puha törülközővel törölje szárazra.
- ▶ A készülék egyetlen részét vagy tartozékát se tisztítsa mosogatógépben.
- ▶ A készülék újraindítása előtt várjon legalább 7 percet, mivel a készülék gyakori indítása során károsodhat a kompresszor.



Tisztítsa meg az ajtó tömítést:

- ▶ A megfelelő tömítés biztosítása érdekében, javasoljuk, 3 havonta tisztítsa meg az ajtó tömítéseket. Az alábbiak szerint: **Eltávolítás:** Fogja meg az ajtó tömítést, és húzza ki a nyíl irányának megfelelően, hogy sértetlenül eltávolítsa a teljes ajtó tömítést.

Merítse a kefét vízbe vagy élelmiszeripari minőségű alkoholba, először tisztítsa meg az ajtó tömítés hornyát a kefe előrehátra húzásával. Ezután törölje le az ajtó tömítés felületét vízbe vagy élelmiszeripari minőségű alkoholba mártott törülközővel. Végül öblítse tisztára az ajtó tömítést, és törölje szárazra egy tiszta törülközővel.



Az ajtó tömítés felszerelése tisztítás után:

A telepítés előtt győződjön meg az ajtó tömítés vízmentességéről. Helyezze be az ajtó tömítést a horonyba, és kézzel nyomja szorosan az ajtó tömítést felülről lefelé, amíg az egész ajtó tömítés a horonyba nem kerül.

A polcok tisztítása:

- ▶ Mindegyik polc eltávolítható tisztítás céljából.
- ▶ Vegye ki az összes palackot.
- ▶ Az egyes polcokat emelje meg egy kicsit, majd vegye ki.
- ▶ Tisztítsa meg a polcot egy puha törülközővel.
- ▶ Mielőtt visszahelyezné a polcokat, várja meg, amíg azok megszáradnak.

FIGYELMEZTETÉS:

Az áramellátás visszakapcsolása előtt várjon legalább 7 percet az áramellátás kikapcsolásától számítva.

Ellenőrizze a tartozékokat és a szakirodalmat ennek a listának megfelelően: szigetelés nélkül.

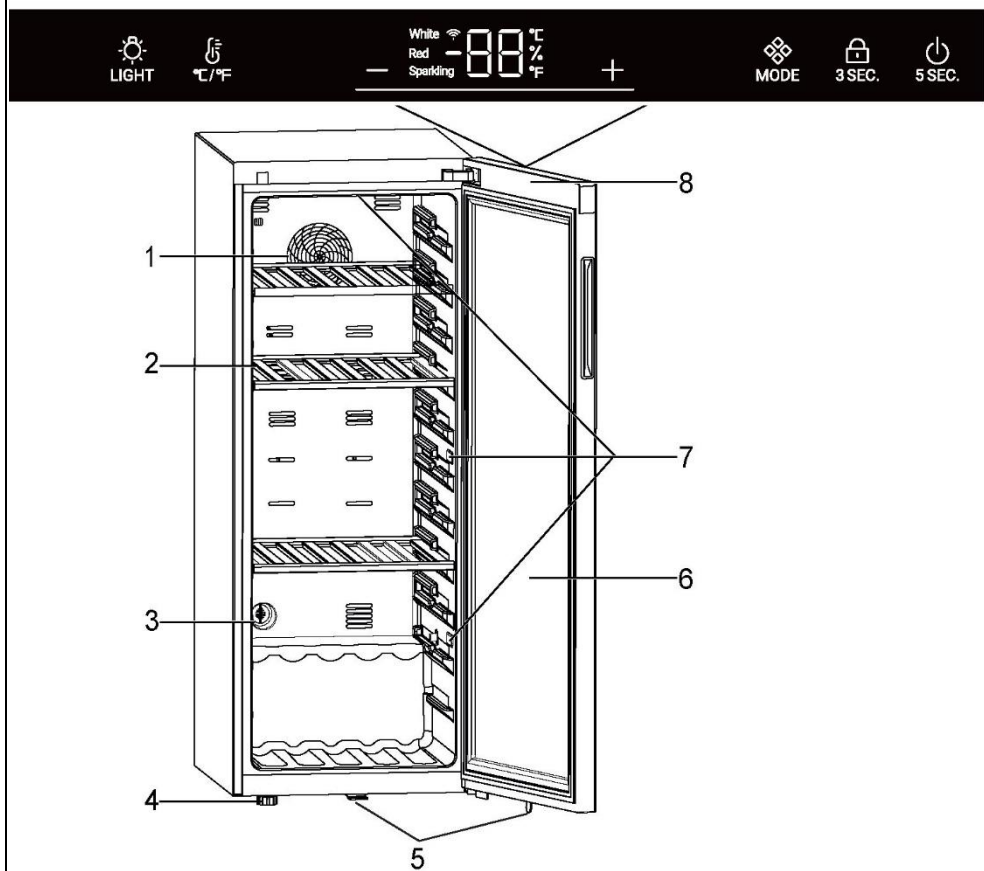
Név	Felhasználói kézikönyv	Szer-vizlap	Polc	Kis polc	Zsanér-fedél	Energia-címke	Kulcs	Ajtó bal oldali ütköző
HWS84GA	1	1	6	1	1	1	2	2
HWS84GNF	1	1	6	1	1	1	2	2
HWS49GA	1	1	4	1	1	1	2	2
HWS49GAE	1	1	4	/	/	1	/	/
HWS66GGE	1	1	5	/	/	1	2	/



Megjegyzés

A műszaki módosítások és különböző modellek miatt előfordulhat, hogy a kézikönyvben látható egyes ábrák eltérőek az Ön modelljéhez képest.

Kép a készülékről



- | | |
|--|-------------------------------|
| 1. Ventilátor (HWS49GAE, HWS66GGE kivételével) | 5. Zár (HWS49GAE kivételével) |
| 2. Polc | 6. Ajtó |
| 3. Aktívszén szűrő | 7. LED-lámpa |
| 4. Állítható lábak | 8. Kijelző (az ajtó elején) |

1. Kicsomagolás

- ▶ Vegye ki a készüléket a csomagolásból.
- ▶ Távolítsa el az összes csomagolóanyagot, beleértve a hab alapi részt és a tartozékokat rögzítő összes ragasztószalagot.

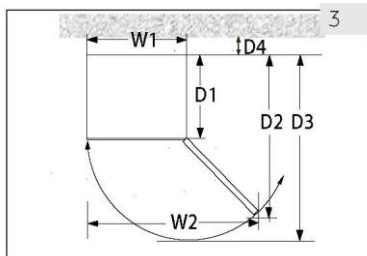
2. Környezeti körülmények

A szobahőmérsékletnek mindig 10 °C és 38 °C között kell lennie, mivel befolyásolhatja a készülék belső hőmérsékletét és energiafogyasztását. Szigetelés nélkül ne telepítse a készüléket egyéb hőkibocsátó készülékek (sütők, hűtőgépek) közelébe.

3. Helyigény

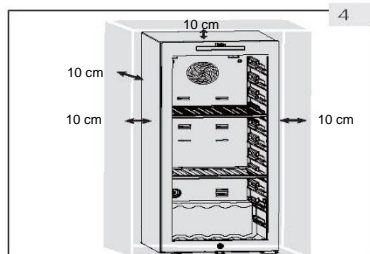
Az ajtó kinyitásához szükséges hely (3. ábra):

Szélesség mm-ben		Mélység mm-ben			Távolság a faltól mm-ben
Sz1	Sz2	Mé1	Mé2	Mé3	Mé4
495	630	535	1033	1047	100



4. Szellőzés szükséges tér

Biztonsági és energetikai okokból minden irányban tartsa be az előírt 10 cm-es szellőzési távolságot (4. ábra).



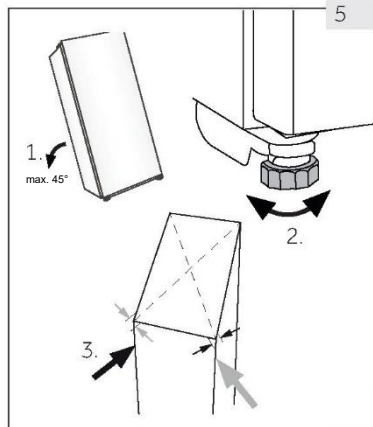
FIGYELMEZTETÉS:

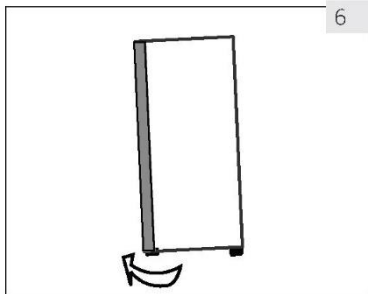
- ▶ A berendezésen vagy a beépített szerkezetben a szellőzőnyílásokat ne takarja el. Ez a hűtőberendezés kialakításából adódóan nem arra készült, hogy beépíthető készülékként üzemeljen.

5. A készülék elhelyezése

A készüléket sík és szilárd felületre telepítse.

1. Enyhén döntse meg hátrafelé a készüléket (5. ábra).
2. Forgatással állítsa be az állítható elülső lábakat a kívánt magasságra.
3. A stabilitást ellenőrizheti, ha az átlók mentén nyomást helyez a készülékre. Az enyhe lengésnek mindkét irányban azonosnak kell lennie. Ellenkező esetben a keret görbülhet; ez pedig esetleg szivárgó ajtótitéseket eredményezhet. Az enyhe hátradőlés elősegíti az ajtó bezáródását.



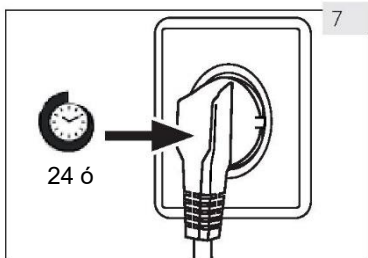


6. Az ajtó finomhangolása

A készülék könnyebben záródik, ha megfelelően beállítja az előlső szintező lábakat:

Forgassa el az állítható lábakat (6. ábra) felfelé vagy lefelé állításához:

- ▶ A lábak óramutató járásával megegyező irányba történő elforgatásával megemeli a készüléket.
- ▶ A lábak az óramutató járásával ellentétes irányba történő elforgatásával leengedi a készüléket.



7. Várakozási idő

A kompresszorban kialakított gyűjtőedényben karbantartásmentes kenőolaj található. A készülék megdöntése esetén ez az olaj átjuthat a zárt csőrendszeren szállítás közben. Mielőtt tápellátáshoz csatlakoztatná a készüléket, várjon 24 órát (7. ábra), hogy az olaj visszajusson a gyűjtőedénybe.

8. Elektromos csatlakoztatás

Minden egyes csatlakoztatás előtt ellenőrizze az alábbiakat:

- ▶ tápellátás, aljzat és biztosíték megfelelősége az adattáblán szereplő adatoknak;
- ▶ a tápaljzat földeléssel rendelkezik, és nem használ többcsatlakozós hosszabbítót a tápellátáshoz;
- ▶ a tápdugasz és az aljzat megfelelően illeszkedik egymáshoz.

Csatlakoztassa a csatlakozódugót egy megfelelően beépített háztartási aljzathoz.



FIGYELMEZTETÉS:

A kockázatok elkerülése érdekében a sérült tápkábelt kötelezően ki kell cserélni, ezt pedig csak az ügyfélszolgálat munkatársa végezheti el (lásd a jótállási jegyet).

9. Ajtó megfordíthatósága (HWS49GAE, HWS66GGE kivételével)

Mielőtt csatlakoztatná a készüléket az áramforráshoz, ellenőrizze, hogy az ajtó nyitását jobbról (leszállított állapot) balra kell-e fordítani, ha ezt a telepítési hely és a használhatóság megköveteli

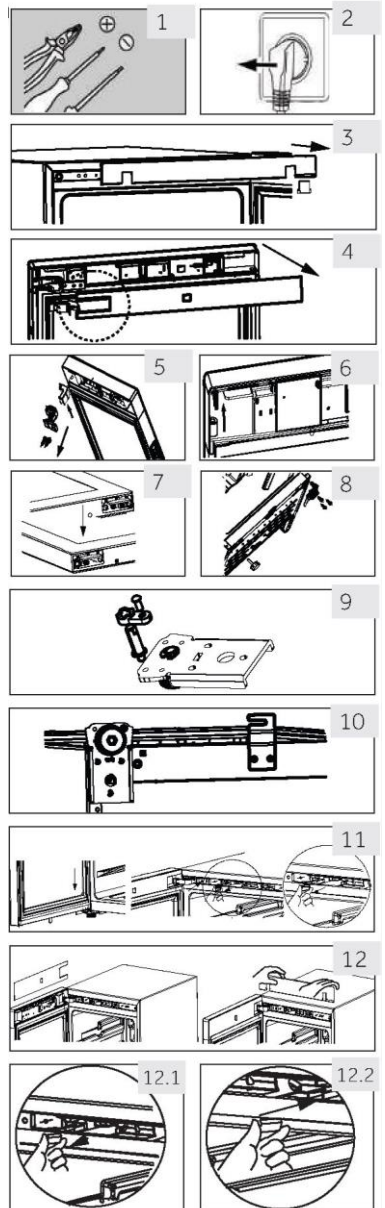


FIGYELMEZTETÉS:

- ▶ A készülék nehéz. Az ajtó megfordítása két embert igényel.
- ▶ Bármilyen művelet előtt először húzza ki a készüléket a hálózati aljzathoz.
- ▶ A hűtőrendszer károsodásának megelőzése érdekében ne döntse meg a készüléket 45°-ot meghaladó mértékben.

Összeszerelési lépések (HWS49GAE, HWS66GGE kivételével)

1. Biztosítsa a szükséges szerszámot.
2. Húzza ki a készüléket a hálózati aljzatból.
3. Nyissa ki az ajtót, vegye le az elülső szalagot, és keresse meg a megfelelő eltávolítandó szalagot a bal oldalról, majd helyezze ezt a jobb oldalon található részbe.
4. Húzza ki a csatlakozókábelt. Húzza ki az ajtó tömítés felső részét, és távolítsa el az ajtó hátsó szalagját. (Távolítsa el a bal oldali nyílásból)
5. Csavarja ki a 2 csavart a felső zsanérből.
6. Távolítsa el a fedelet és a zsanért, távolítsa el a tengelyfedelet, majd szerelje össze a másik oldalon, és szerelje be a tengelybe a zsanért.
7. Távolítsa el az ütközőt és az ajtó tartót, majd helyezze át az ajtó tartót az ajtó másik oldalára. Szerelje fel az új ütközőt a tartozékok tasakból.
8. Miután megdöntötte a szekrényt (45°-nál kisebb szögben), távolítsa el az alsó zsanért (3 csavar) biztonsági tartaléknak.
9. Távolítsa el az alsó zsanérütközőt és a zsanértengelyt. Szerelje fel a tengelyt az alsó zsanérnak a jobb oldalára. Vegye ki az ütközőt az utasítást tartalmazó tasakból, és szerelje fel az alsó zsanér tengelyére.
10. Szerelje fel az alsó zsanért és az alsó lábat a szekrény másik oldalára. Kenje meg az ütközőt.
11. Szerelje fel az ajtót az alsó zsanér tengelyére, és rögzítse a felső zsanért két csavarral a szekrényhez. Rögzítse a jelvezetékeket a felső zsanér hornyának a közepén, és majd vegye ki a zsanérfedelet az utasítást tartalmazó tasakból, és rögzítse a felső zsanérhoz.
12. Szerelje fel az ajtó tömítést és az ajtószalagot az ajtóra. Helyezze be az ajtójelvezeték párt, helyezze át a mágneskapcsolót (12.1. ábra) a jobb oldali foglalatba (12.2. ábra) a felső tartószelvény dobozban, majd rögzítse a szekrény elülső díszőelemét.
13. Győződjön meg arról, hogy az ajtó megfelelően nyílik és záródik.



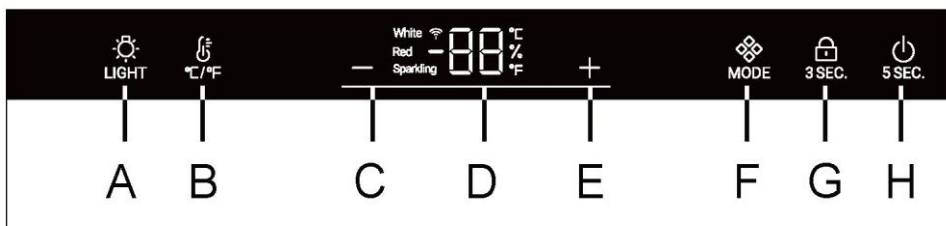
1. Első használat előtt

- ▶ Távolítsa el az összes csomagolóanyagot. Ez magában foglalja a habalapot és az összes ragasztószalagot, amely a borhűtő tartozékait rögzíti belül és kívül. Ezeket tartsa gyermekektől elzárva, ártalmatlanításukat pedig környezetbarát módon végezze.
- ▶ Tisztítsa meg a készülék belsejét és külsejét vízzel és kíméletes tisztítószerrel, mielőtt bármilyen bort tenne bele.
- ▶ A készülék szintbeállítását és tisztítását követően várjon legalább 2 órát, mielőtt csatlakoztatná a tápellátáshoz. Ha a borhűtőt bármilyen okból megdöntötték, várjon 24 órát, mielőtt tápellátáshoz csatlakoztatja. Lásd a TELEPÍTÉS részt.
- ▶ Miután csatlakoztatta a készüléket egy elektromos aljzathoz, hagyja, hogy a készülék legalább 30 percig működjön, alkalmazkodjon a környezethez, mielőtt bármilyen beállítást végezne.
- ▶ A hőmérséklet gyári alapbeállítása 12 °C. Ha kívánja, ezt a hőmérsékletet módosíthatja manuálisan. Lásd HŐMÉRSÉKLET.

2. Érintőgombok



A vezérlőpulton érintőgombok találhatók, és az ujjával való enyhe megérintés elég a működtetésükhöz.

3. A vezérlőpult leírása



- | | |
|---------------------------------------|------------------------------------|
| A Belső világítás gomb | E Hőmérséklet állító gomb: növelés |
| B °C /°F váltás gomb | F Üzem mód gomb |
| C Hőmérséklet állító gomb: csökkentés | G Zárolás gomb |
| D Kijelző | H Bekapcsolás gomb |

4. Automatikus zárolás funkció

A funkció bekapcsolása után a vezérlőpult automatikus zárolja magát 30 másodperccel bármilyen gombnyomás után, amikor a  világít. A billentyűzár bekapcsolásához tartsa lenyomva a  gombot 3 másodpercig, a zárolás után a háttérvilágítás LED-jei elhalványulnak. Az A gombra nincs hatással a billentyűzár.

5. Bekapcsolás gomb funkció

Tartsa lenyomva 5 másodpercig a H gombot, a borhűtő lekapcsolja a tápellátást. Ezután tartsa lenyomva 5 másodpercig a H gombot a borhűtő bekapcsolásához.





6. Hőmérséklet beállítása

Megjegyzés


Előzetes beállítások

- ▶ Miután csatlakoztatta a készüléket egy elektromos aljzathoz, hagyja, hogy a készülék legalább 30 percig működjön, és alkalmazkodjon a környezethez, mielőtt bármilyen beállítást végezne.
- ▶ Amikor a készüléket visszakapcsolja a hálózati tápellátásról való leválasztás után, akár több órát is igénybe vehet a megfelelő hőmérséklet elérése. A pontos idő a környezettől és a hőmérséklet beállítástól függően változik.



Nyomja meg a  vagy  gombot, és a kijelző villogásba kezd. Nyomja meg a  vagy  gombot a kívánt hőmérséklet beállításához. Beállítható hőmérséklet tartománya: 5–20 °C (41–68 °F). Ne nyomjon meg semmilyen gombot 3 másodpercig, így megerősíti az adott hőmérsékletet.

7. Üzem mód funkció

Nyomja meg a  gombot. A hőmérséklet átvált pezsgőnek (8 °C vagy 47 °F) fehérbornak (12 °C vagy 54 °F) vagy vörösbornak (16 °C vagy 61 °F) megfelelő között.

Javasolt hőmérséklet beállítások

A különböző típusú borok fogyasztásához az alábbi hőmérsékleti értékek ajánlottak.

Vörösbor	+13 °C és +20 °C között (+55 °F és +68 °C között)	Prosecco pezsgő	+5 °C és +8 °C között (+41 °F és 47 °F között)
Fehérbor	+9 °C és +12 °C között (+48 °F és +54 °F között)		

Ha hosszú ideig tárolja a bort, akkor a tároláshoz a +10 °C és +12 °C (50 °F és +54 °F) közötti hőmérsékletet javasoljuk.

8. Készenléti üzemmód

A kijelző 30 másodperc után automatikusan elhalványul.

A kijelző automatikusan bekapcsol bármelyik gomb megérintésekor vagy az ajtó kinyitásakor.



Megjegyzés

Hőmérséklet befolyásolása



A készülék belsejében a hőmérsékletet az alábbi tényezők befolyásolják:

- ▶ Környezeti hőmérséklet
- ▶ Az ajtónyitás gyakorisága
- ▶ A tárolt palackok mennyisége
- ▶ A készülék helye

Az alapértelmezett beállítás 12 °C

Amikor a kijelző nem villog, ismét megjelenik a borhűtőben lévő aktuális hőmérséklet. A beállított hőmérséklet elérése időbe telik.

9. Világítási mód beállítása

Nyomja meg a  gombot. Amikor a szekrény lámpái világítanak, a lámpák fokozatosan bekapcsolnak. A  gomb ismételt megnyomására a lámpák fokozatosan kialszanak.

10. °C/°F funkció

A Fahrenheit és Celsius közötti váltáshoz nyomja meg a  gombot.

11. Hőmérséklet megjegyzése funkció

Áramkimaradás esetén a borhűtő automatikusan menti a beállított hőmérsékletet. Az áramellátás helyreállása után a készülék az áramkimaradás előtt beállított hőmérséklet alapján fog működni.

12. Alacsony hőmérséklet kompenzáció funkció (HWS49GAE, HWS66GGE kivételével)

A borhűtő alacsony hőmérséklet kompenzáció funkcióval rendelkezik a hőmérséklet stabilitásának biztosítása érdekében: Ha a környezeti hőmérséklet a beállítottnál alacsonyabb, a borhűtő automatikusan elindítja az alacsony hőmérséklet kompenzáció funkciót, és a készülék melegíteni kezd. Amikor a készülékben a hőmérséklet eléri a beállított hőmérsékletet, az alacsony hőmérséklet kompenzáció funkció automatikusan kikapcsol.

13. Nyitott ajtó riasztás

Ha az ajtót 1 percnél tovább nyitva tartja, hangjelzés hallható, amíg az ajtó be nem záródik, vagy megnyomja a kijelzőpanel valamelyik gombját, aminek a hatására a hangjelzés kikapcsol.



Energiaatakarékossági tippek

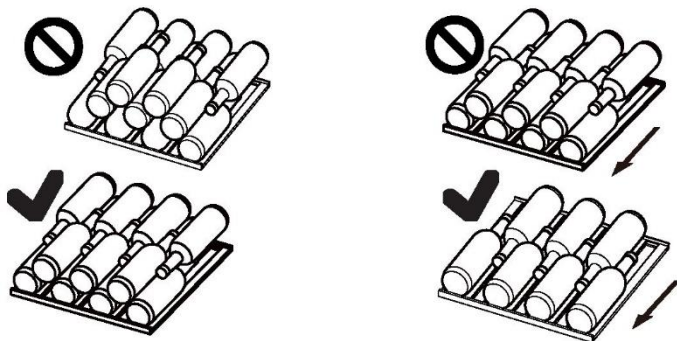
- ▶ Bizonyosodjon meg arról, hogy a készülék megfelelő szellőzéssel rendelkezik (lásd BESZERELÉS).
- ▶ Ne szerelje be a készüléket közvetlen napsugárzásnak kitett helyre vagy hőforrások (pl. kályhák, fűtőberendezések) közelébe.
- ▶ Kerülje a szükségtelenül alacsony hőmérsékletet a készülékben. Minél alacsonyabb hőmérsékletet állít be, annál jobban növekszik az energiafogyasztás.
- ▶ Minél kevésbé és minél rövidebb ideig nyissa ki a készülék ajtaját.
- ▶ Ne lépje túl a palackok ajánlott mennyiségét, mivel ezzel gátolhatja a megfelelő légáramlást.
- ▶ Az ajtótmítéseket tartsa tisztán, hogy az ajtó mindig megfelelően becsukódhasson.
- ▶ A leginkább energiaatakarékos működéshez a fióknak, élelmiszerrekesznek és polcoknak a készülékben kell lenniük olyan állapotban, ahogyan a gyárat elhagyta a készülék, az élelmiszert pedig úgy kell elhelyezni, hogy a légcsatorna kimenetét ne akadályozza.

1. Polc


1. A polcok kialakítása elősegíti a bor könnyű tárolását és eltávolítását. Ezek puha törülközővel tisztíthatók.
2. A 76 mm átmérőjű normál palackok egymásra helyezhetők.
3. A magnum méretű palackok az alsó polcon rakhatók egymásra.
4. A mennyiség eltérhet az ábrázolt számtól vagy palackoktól, ha ezeket eltérő módon helyezi egymásra.

Tanácsok a borhűtő belső elrendezéséhez

Javasoljuk, hogy a borosüvegek száma ne haladja meg a polcoként két réteget, és a borospolcokat ne terhelje 20 kg-nál jobban. Mielőtt a palackokat a borhűtőbe helyezné, bizonyosodjon meg a borospolcok teljes stabilitásáról. Ezenkívül ellenőrizze, hogy a palackok túlnyúlnak-e a polcokon, mivel ebben az esetben a palackok az ajtó becsukódáskor az üvegajtónak ütközhetnek.



2. A világítás

A LED-es belső világítás bekapcsol az ajtó nyitásakor. Becsukott ajtó mellett a lámpa bekapcsolásához érintse meg a  gombot. A világítás kikapcsolásához érintse meg ismét a gombot. Az energiahatékonyság növelése érdekében kapcsolja ki a világítást, amikor a borhűtőre nem vetülnek tekintetek.

3. A zár

A borhűtő bezárásához csukja be az ajtót, majd tegye a kulcsot a zárba:

- ▶ Zárja be az ajtót, ehhez forgassa el a kulcsot az óramutató járásával ellentétes irányba;
- ▶ Az ajtó kinyitásához forgassa el a kulcsot az óramutató járásával megegyező irányba.

1. Leolvasztás

A borhűtő kiolvasztása automatikusan történik; nincs szükség felhasználói beavatkozásra.

2. A LED-es lámpa cseréje

A lámpa fényforrásként LED-es technológiát használ, amely alacsony fogyasztást és hosszú élettartamot szavatol. Bármilyen rendellenesség esetén vegye fel a kapcsolatot az ügyfélszolgálatl. Lásd az ÜGYFÉLSZOLGÁLAT részt.



FIGYELMEZTETÉS:

Ne tegyen kísérletet a LED-es lámpa saját kezű cseréjére. Az alkatrészt csak a gyártó vagy a meghatalmazott szervizmunkatárs cserélheti ki.

A LED-es lámpa paraméterei:

Feszültség 12 V; Maximális teljesítmény: 8 W (HWS84GA, HWS84GNF és HWS66GGE esetén)

Feszültség 12 V; Maximális teljesítmény: 5 W (HWS49GAE és HWS49GA esetén)

3. Hosszabb használaton kívüli időszak

Húzza ki a tápkábelt.

Tisztítsa meg a készüléket és az ajtó tömítéseket a fenti leírás szerint.

A kellemetlen szagok készüléken belüli megjelenésének elkerülése érdekében hagyja nyitva az ajtót.

4. A készülék mozgatása

1. Távolítsa el az összes palackot, és húzza ki a készülék csatlakozódugóját.

2. Rögzítse a polcokat és az egyéb mozgatható alkatrészeket a borhűtőben szigetelőszalaggal.

3. A hűtőrendszer károsodásának az elkerülése érdekében ne döntse meg a borhűtőt 45°-ot meghaladó szögben.

5. Levegőcsere aktív szén szűrővel

A borok érlelésének módja függ a környezeti feltételektől. A bor tartósítása tekintetében tehát döntő fontosságú a levegő minősége. A készülék hátfalának alsó részén egy aktív szén szűrőt található, amely gondoskodik az optimális levegőminőségről.



Megjegyzés

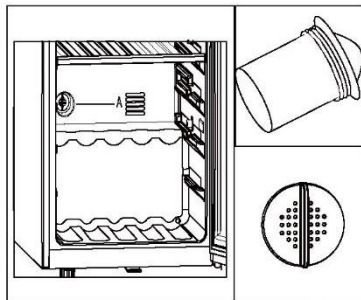
Javasoljuk, hogy évente cserélje a szűrőt. A szűrők beszerezhetők kereskedésekből.

A szűrő cseréje:

Fogja meg a szűrőt a fogantyútól. Fordítsa el balra, majd távolítsa el.

A szűrő behelyezése:

Helyezze be úgy, hogy a fogantyú függőleges helyzetben legyen. Fordítsa jobbra, majd nyomja be.



Sok felmerülő problémát saját maga is megoldhat speciális szakértelem nélkül. Probléma felmerülése esetén ellenőrizze az összes felsorolt lehetőséget, és kövesse az alábbi utasításokat, mielőtt felvinné a kapcsolatot egy ügyfélszolgálattal. Lásd az ÜGYFÉLSZOLGÁLAT részt.



FIGYELMEZTETÉS:

- ▶ Karbantartás előtt kapcsolja ki a készüléket, és húzza ki a hálózati dugaszt a hálózati aljzatból.
- ▶ Az elektromos berendezéseket csak szakképzett villamossági szakemberek szervizelhetik, mert a nem megfelelő javítások jelentős károkat okozhatnak.
- ▶ Sérült tápkábel esetén a veszély elkerülése érdekében cseréltesse ki azt a gyártóval, a gyártó szervizközpontjával vagy más szakemberrel.

Hibakód	Ok	Megoldás
rH	A hőmérséklet túl magas.	Kérjük, vegye fel a kapcsolatot az ügyfélszolgálattal.
rL	A hőmérséklet túl alacsony.	Bizonyosodjon meg arról, hogy a környezeti hőmérséklet 10 °C és 38 °C közötti.

Probléma	Lehetséges ok	Lehetséges megoldás
A kompresszor nem működik.	<ul style="list-style-type: none"> A hálózati dugasz nem csatlakozik a hálózati aljzathoz. 	<ul style="list-style-type: none"> Csatlakoztassa a hálózati csatlakozódugót.
A készülék gyakran bekapcsol vagy túlságosan hosszú ideig üzemel.	<ul style="list-style-type: none"> A külső hőmérséklet túl magas. A készülék hosszabb ideig kikapcsolt állapotban volt. Egy ajtó a készülékben nem záródik megfelelően. Az ajtót túlságosan gyakran nyitotta ki, vagy túlságosan sokáig tartotta nyitva. Az ajtó tömítések szennyezettek, kopottak, repedtek vagy nem megfelelők. A szükséges szellőzés nem biztosított. A beállított hőmérséklet túl alacsony. 	<ul style="list-style-type: none"> Ebben az esetben természetes, hogy a készülék üzemideje megnövekedett. A készülék teljes lehűlése általában eltart egy ideig. Csukja be az ajtót, és bizonyosodjon meg arról, hogy a készülék egyenes felületen található, és hogy élelmiszer vagy tárolóedény nem akadályozza az ajtó záródását. Ne nyissa ki az ajtót túl gyakran. Tisztítsa meg az ajtó tömítését, vagy cserélje ki ezt az ügyfélszolgálat bevonásával. Bizonyosodjon meg arról, hogy megfelelő a szellőzés. A probléma a kívánt hőmérséklet elérésekor magától elhárul.
A borhűtő belső része szennyezett és/vagy kellemetlen szagú.	<ul style="list-style-type: none"> A borhűtő belső része tisztítást igényel. 	<ul style="list-style-type: none"> Tisztítsa meg a borhűtő belső részét.
Nincs elég hideg a készülék belsejében.	<ul style="list-style-type: none"> A beállított hőmérséklet túl magas. Nemrégiben palackokat helyezett a készülékbe. Egy ajtó a készülékben nem záródik megfelelően. Az ajtót túlságosan gyakran nyitotta ki, vagy túlságosan sokáig tartotta nyitva. Az ajtó tömítések szennyezettek, kopottak, repedtek vagy nem megfelelők. 	<ul style="list-style-type: none"> Állítsa vissza a hőmérsékletet. Várjon, hogy a nemrég hozzáadott palackok elérjék a kívánt hőmérsékletet. Csukja be az ajtót. Ne nyissa ki az ajtót túl gyakran. Tisztítsa meg az ajtó tömítését, vagy cserélje ki ezt az ügyfélszolgálat bevonásával.
Túl hideg van a készülék belsejében.	<ul style="list-style-type: none"> A beállított hőmérséklet túl alacsony. 	<ul style="list-style-type: none"> Állítsa vissza a hőmérsékletet.
Pára csapódik le a hűtőrekesz belső	<ul style="list-style-type: none"> Az éghajlat túl meleg vagy túl nedves. 	<ul style="list-style-type: none"> Növelje a hőmérsékletet.

Probléma	Lehetséges ok	Lehetséges megoldás
részén.	<ul style="list-style-type: none"> Egy ajtó a készülékben nem záródik megfelelően. Az ajtót túlságosan gyakran nyitotta ki, vagy túlságosan sokáig tartotta nyitva. 	<ul style="list-style-type: none"> Csukja be az ajtót. Ne nyissa ki az ajtót/fiókot túl gyakran.
Nedvesség jelentkezik a borhűtő külső felületén.	<ul style="list-style-type: none"> Az éghajlat túl meleg vagy túl nedves Az ajtó nincs megfelelően becsukva. A készülékben lévő hideg levegő és az azon kívüli meleg levegő páralecsapódást eredményez. 	<ul style="list-style-type: none"> Ez természetes jelenség nedves éghajlati viszonyok között, és megszűnik, amint csökken a páratartalom. Bizonyosodjon meg arról, hogy az ajtó szorosan zárul, és a tömitések megfelelően felfekszenek.
A készülék rendellenes hangokat ad ki.	<ul style="list-style-type: none"> A készülék nem vízszintes talajon helyezkedik el. A készülék hozzáér valamilyen körülötte lévő tárgyhoz. 	<ul style="list-style-type: none"> A lábak beállításával állítsa szintbe a készüléket. Távolítsa el a készülék mellett lévő tárgyakat.
Az áramló vízhez hasonló halk hang hallható.	<ul style="list-style-type: none"> Ez természetes jelenség 	<ul style="list-style-type: none"> -
A belső világítás vagy hűtőrendszer nem működik.	<ul style="list-style-type: none"> Nem dugta be a hálózati csatlakozódugót a hálózati aljzatba. Az áramellátás nem megfelelő. A LED-es lámpa meghibásodott. 	<ul style="list-style-type: none"> Csatlakoztassa a hálózati csatlakozódugót. Ellenőrizze a helyiség áramellátását. Vegye fel a kapcsolatot a helyi áramszolgáltatóval. A csere ügyében vegye fel a kapcsolatot a szervizzel.
A hűtő oldalai és az ajtószalag felmelegedik	<ul style="list-style-type: none"> Ez természetes jelenség. 	<ul style="list-style-type: none"> -
Az ajtó nem záródik megfelelően	<ul style="list-style-type: none"> A készülék nem áll vízszintben. Az ajtó mozgását valami hátráltatja. 	<ul style="list-style-type: none"> Gondoskodjon a készülék vízszintes helyzetéről a szintező lábak beállításával. Keressen ütközést okozó tárgyakat, például palackokat vagy polcokat.

A műszaki támogatással való kapcsolatfelvételhez látogassa meg a következő oldalt:
<https://corporate.haier-europe.com/en/>

A „webhely” (website) rész alatt válassza ki a termék márkáját és országát. Az oldal átírja az adott webhelyre, ahol megtalálható a műszaki támogatás eléréséhez szükséges telefonszám és űrlap.

Az (EU) 2019/2016 előírásnak megfelelő termékadatlap

Márka	Haier	Haier	Haier
Modellnév/azonosító	HWS49GA /HWS49GAE	HWS84GNF	HWS84GA /HWS66GGE
Kategória	Borhűtő	Borhűtő	Borhűtő
Háztartási hűtőkészülék kategória	I	I	I
Energiahatékonysági osztály	F	F	G
Éves energiafogyasztás (kWh/év) ¹⁾	104	110	149/153
Befogadóképesség (l)	116/118	198	198
Klímaosztály: A készülék 10 °C és 38 °C közötti környezeti hőmérsékleten való működéshez készült.	SN N ST	SN N ST	SNN ST
Levegőben terjedő akusztikus zajkibocsátás (dB(A) re 1pW)	C(37)	C(37)	C(37)
A berendezés típusa	Önálló	Önálló	Önálló
A készüléket kizárólag bor tárolására használja.	Igen	Igen	Igen
Méretek (Mé/Sz/Ma mm-ben)	585/497/820	585/497/1270	585/497/1270

Magyarázatok:

1) 24 órás szabványos teszteredmények alapján. A tényleges energiafogyasztás függ a tényleges környezettől, a palackok számától, a beállított hőmérséklettől, az ajtó nyitási és zárási idejétől és gyakoriságától stb.

2) A névleges energiafogyasztást a standard teszt során jelentkezik, a borhűtő belső világának bekapcsolása nélkül.

- kiterjesztett mérsékelt osztály: „a hűtőberendezés 10 - 32 °C közötti környezeti hőmérsékleten való használatra készült”;

- mérsékelt osztály: „a hűtőberendezés 16 - 32 °C közötti környezeti hőmérsékleten való használatra készült”;

- szubtrópusi osztály: „a hűtőberendezés 16 - 38 °C közötti környezeti hőmérsékleten való használatra készült”;

- trópusi osztály: „a hűtőberendezés 16 - 43 °C közötti környezeti hőmérsékleten való felhasználásra készült”;

Szabványok és irányelvek

A termék megfelel az összes vonatkozó EK irányelvben meghatározott követelménynek, illetve a vonatkozó harmonizált szabványoknak, amelyek alapján megilleti a CE -jelölés.

Figyelmébe ajánljuk a Haier ügyfélszolgálat és az eredeti pótalkatrészek igénybe vételét.

Ha probléma merül fel a készülékkel, először tekintse át a HIBAELHÁRÍTÁS részt.

Ha ebben nem talál megoldást, lépjen kapcsolatba

- ▶ a helyi márkakereskedővel vagy
- ▶ keresse meg a Service & Support (Szerviz és támogatás) területet a www.haier.com címen, ahol megtalálhatja a szükséges telefonszámokat és a gyakran ismételt kérdéseket, valamint ahol szervizkérelmet aktiválhat.

A szerviz szolgáltatásunkkal való kapcsolatfelvétel előtt bizonyosodjon meg arról, hogy elérhető az alábbi adatok.

Az információ az adattáblán található.

Modell _____ Sorozatszám _____

Jótállási igény felmerülése esetén ellenőrizze a termékhez mellékelt jótállási kártyát is.

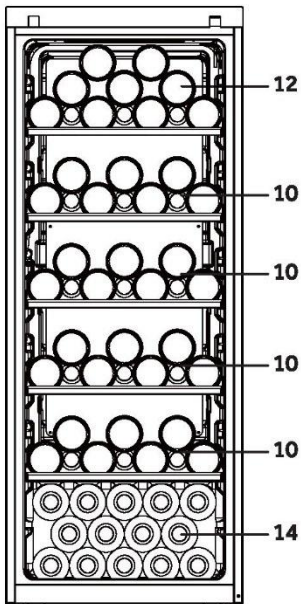
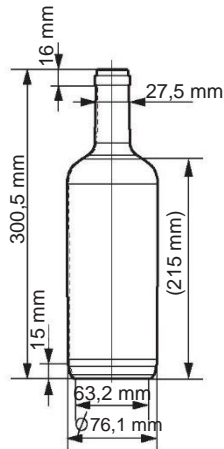
Általános üzleti kérdések esetén kérjük, alábbi európai címeinken vegye fel velünk a kapcsolatot:

Európai Haier címek			
Ország*	Postacím	Ország	Postacím
Olaszország	Haier Europe Trading SRL Via De Cristoforis, 12 21100 Verese OLASZORSZÁG	Franciaország	Haier Europe Trading SRL Via De Cristoforis, 12 21100 Verese OLASZORSZÁG
Spanyolország Portugália	Haier Iberia SL Pg. Garcia Faria, 49-51 08019 Barcelona SPANYOLORSZÁG	Belgium-FR Belgium-NL Hollandia Luxemburg	Haier Benelux SA Anderlecht Route de Lennik 451 BELGIUM
Németország Ausztria	Haier Deutschland GmbH Hewlett-Packard-Str. 4 D-61352 Bad Homburg NÉMETORSZÁG	Lengyelország Cseh Köztársaság Magyarország Görögország Románia Oroszország	Haier Poland Sp. zo.o. Al. Jerozolimskie 181B 02-222 Warszawa LENGYELORSZÁG
Egyesült Királyság	Haier Appliances UK Co. Ltd. One Crown Square Church Street East Woking, Surrey, GU21 6HR EGYESÜLT KIRÁLYSÁG		

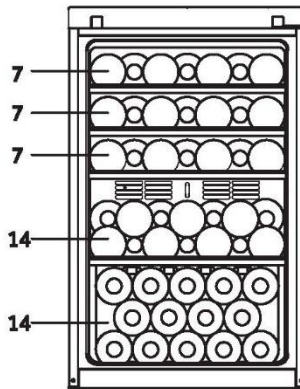
PÓTALKATRÉSZEK ELÉRHETŐSÉGE: Termosztátok, hőmérséklet érzékelők, nyomtatott áramkörtáblák és fényforrások legalább hét évig elérhetők a piacra bocsátott utolsó modellől számítva. Ajtófogantyúk, ajtópántok, tálcák és kosarak legalább hét évig, míg ajtótütemések legalább 10 évig elérhetők a piacra bocsátott utolsó modellől számítva

Minimális jótállás: 2 év az uniós tagállamokban, 3 év Törökországban, 1 év az Egyesült Királyságban, 1 év Oroszországban, 3 év Svédországban, 2 év Szerbiában, 5 év Norvégiában, 1 év Marokkóban, 6 hónap Algériában, Tunézia nincs kötelező jogi jótállás.

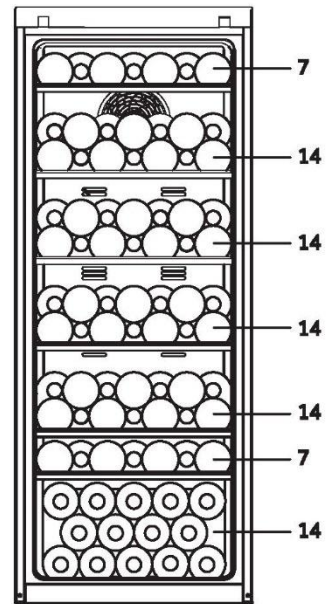
A termékre vonatkozó további tájékoztatás ügyében tekintse meg az <https://eprel.ec.europa.eu/> oldalt, vagy olvassa be a készüléken elhelyezett, energiafogyasztást jelölő címkén található QR-kódot.



(66)
HWS66GGE



(49)
HWS49GA
HWS49GAE



(84)
HWS84GA
HWS84GNF

HWS-84GA-49GA-49GAE-84GNF-66GGE-HU

Haier