

# Prestigio



## Car Video Recorder

**RoadRunner 605GPS**

## User Manual

Version 1.0

[www.prestigio.com](http://www.prestigio.com)

## About this user manual

This user manual is specially designed to detail the device's functions and features.

- Please read this manual before using the device to ensure safe and proper use.
- Descriptions are based on the device's default settings.
- Prestigio continuously strives to improve its products. Due to software upgrading, some contents in this user manual may be different from your product. Prestigio reserves the rights to revise this user manual or withdraw it at any time without prior notice. Please take your product as standard.

## Conventions used in this manual

In this user manual, we use the following symbols to indicate useful and important information:



**Caution:** provides safety precaution and important information.



**Note:** gives additional information.



**Tips:** usage tips.

- > The order of options or menus you must select to perform a step.

# Contents

<b>1. Unboxing</b> .....	<b>1</b>
Inside your package .....	1
Device overview.....	1
<b>2. Getting started</b> .....	<b>2</b>
Insert a microSD card .....	2
Install the suction mount.....	2
Charge the battery.....	2
<b>3. Settings</b> .....	<b>3</b>
Video settings .....	3
<b>4. Recording</b> .....	<b>5</b>
Record a video .....	5
Take a picture .....	5
Record a sound.....	5
<b>5. File management</b> .....	<b>5</b>
Browse files.....	5
Delete a file.....	5
Lock and unlock a file .....	5
<b>6. Playback</b> .....	<b>6</b>
Play video on DVR .....	6
Playback on PC.....	6
<b>7. Specifications</b> .....	<b>7</b>

# 1. Unboxing



## Inside your package

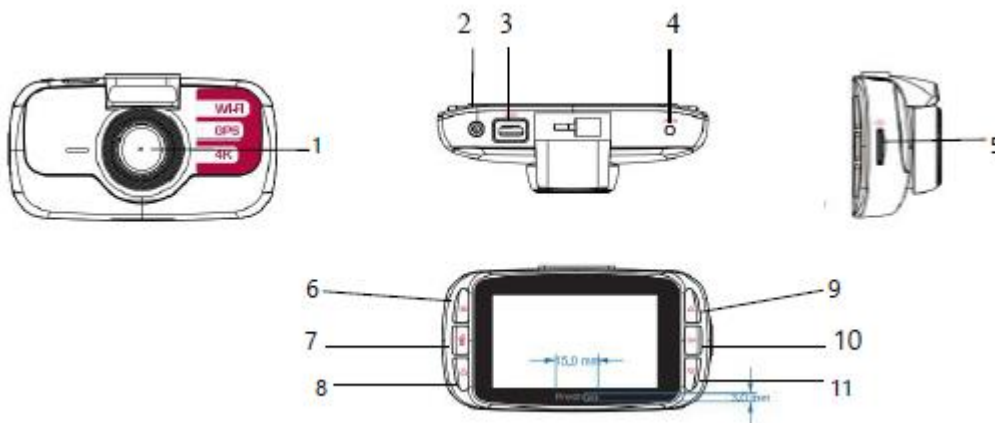


- Car video recorder
- Suction mount

- Car charger
- USB cable

- Quick start guide

## Device overview



1. Lens
2. Power on/off
3. USB Slot
4. Reset button
5. SD card slot
6. Take picture

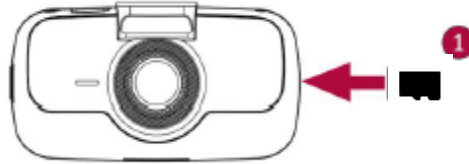
7. Menu and return
8. Event button
9. Up
10. OK
11. Down

## 2. Getting started

# 2

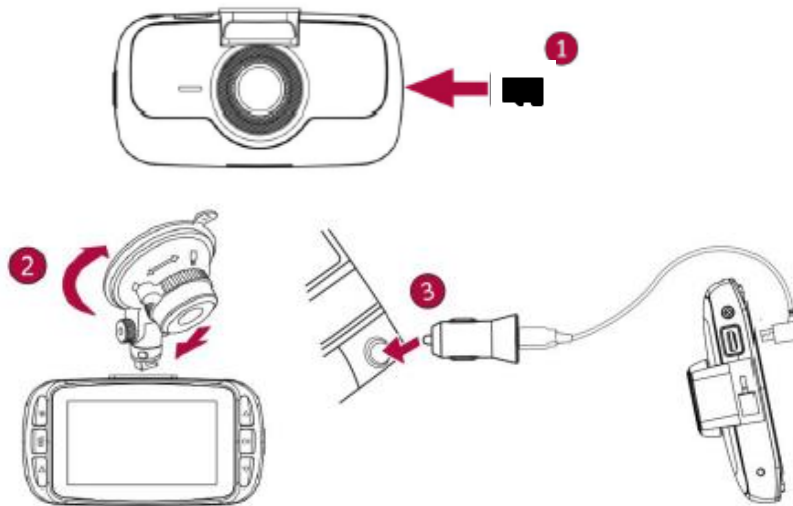
### Insert a microSD card

Before starting video recording, please insert a microSD card (not included) into the slot until it locks in place.



The device will automatically recognize it as default storage and all the data will be saved on this card.

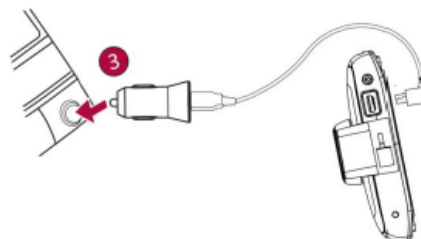
### Install the suction mount



1. Follow the arrow pointing direction to insert the suction mount and lock the device into its holder.
2. Remove the protection paper from the suction mount, and position the device on the clean windshield or dashboard.

### Charge the battery

Before using the device for the first time, please fully charge the Li-ion battery. The battery will be completely charged in 1-2 hours.



- Using the car charger: charge the device through cigarette lighter. The device will start charging after the car engine is turned on.
- Using micro USB cable: connect the device to AC 5V adapter or the USB port of a computer/laptop.

# 3. Settings

## 3

Before recording, you can set up the device according to your requirements.

- In video/picture preview mode, press [MENU] to enter video/picture settings, press [return] to exit.

- In setting list, use [▲]/[▼] to navigate the menu, press [OK] to get the options and confirm the selection, press [MENU] to exit.

### Video settings

- **APP download:** download Prestigio Diamond application in Play Market or App Store.
- **Resolution:** Select the resolution of recorded video: 4K 2160P30, 1524P30, 1440P30, 1296P30, 1080P30.
- **Loop recording:** Set the video duration (1, 3, 5 minutes) for loop recording. When the micro SD card is full, the device will delete the oldest unlocked video files automatically.
- **White Balance:** Auto/Daylight/Cloudy
- **WDR setting:** Off/On.
- **EV bias:** Exposure compensation. Select from EV-2.0, EV-1.5, EV-1.0, EV-0.5, EV0 0, EV+1, EV+1.0, EV+1.5, EV+2.0.
- **Motion Detection:** Turn on or off motion detection. If there is any motion detected while car DVR has power but not recording, your car DVR will start recording automatically.
- **Record Audio:** Turn on or off the audio recording.
- **Driver ID setting:** Set the car number.
- **Video Stamp:** Set Date/LOGO/Car plate/GPS Location/Speed stamp in video.
- **G-sensor:** High/Medium/Low/Off. Select the sensitivity of the G-sensor. When reaching the sensitive value (such as collision), the recording file will be automatically protected.
- **Parking Mode:** In Parking Mode G-sensor is ON. While power off, device turns on and starts video recording automatically if shaking or stroke is detected. After recording (≈30sec) is finished, the device will turn off until the next event.
- **Time setting:** Set the time zone and current date and time.
- **Date and Time:** Set the time format to YYYY/MM/DD; MM/DD/YYYY; DD/MM/YYYY
- **Auto Power Off:** Off/1min/3min/5min, once setting the time, the device will power off automatically if there is no operation to the device.
- **Beep sound setting:** Turn on or off the sound when pressing buttons.
- **Language:** choose the multi-languages.
- **LCD OFF:** off/30sec/1min/2min. After setting, the LCD will turn off automatically, press any button to wake it up.
- **Power Off Delay:** off/10sec/30sec/60sec. After setting, the device will delay the power off to save more video after packing to avoid any last video broken.

### Speedcam function part:

- **GPS alert:** Choose On/Off to turn on or mute the GPS alert.
- **Distance to speedcam:** Auto/100m/200m/300m/400m/500m

When choose Auto, the speedcam will be alert according to the driving speed;

When choose detail distance, the speedcam will alert 100m-500m before the speedcam.

- **Voice announcement:** Choose on/off to turn on or turn off the Voice Alert of speedcam.

- **Demo mode:** Choose on/off to show how the speedcam works.
- **Speedcam type:** Static camera/Red light check/Traffic light/Mobile camera/Traffic light/Police post/KCC
- **Satellite info:** To check the GPS signal status in this page;
- **Format:** Format the memory card. Formatting will erase all your stored data. Back up your data before proceed.
- **Default settings:** Restore to default settings.
- **Version info:** show the current system version.

# 4. Recording

## 4

### Record a video

#### Auto video recording

Connect the device to car charger, when the car engine launches, the device will automatically turn on and start loop video recording. When shut off the car engine, the device will save the last file and turn off.

#### Manual video recording

Press [OK] button to start and stop video recording.

#### Screen saver

In recording mode, press [▲] to turn off screen while recording is still continues.

#### Emergency video recording

During recording, press [△] to lock the video.

#### Take a picture

Press [camera icon] to take photos.

#### Record a sound

In recording mode, press [▲]/ to turn on or off the sound.

# 5. File management

## 5

### Browse files

1. In video preview mode, press [▲] once to enter the playback mode.
2. Choose folder (Normal, Emergency, Photo) and press [OK].
3. Press [▲]/[▼] to scroll through the files

### Delete a file

In playback mode, choose file to play then press the icon with recycle bin picture. Make the choice of deletion – one file or several files. Press [OK] to confirm the deletion.

### Lock and unlock a file

In video recording mode, press △ to protect the current recording file.



# 6. Playback

## 6

### Play video on DVR

1. Press [▼].to enter video playback mode.
2. Choose folder (Normal, Emergency, Photo) and press [OK].
3. Press [OK] to start/Pause playback.
4. Press [MENU] again to exit playback mode.

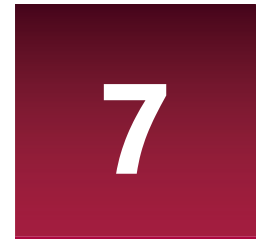
### Playback on PC

1. Remove memory card from DVR and insert it into computer's card reader.  
(DVR's USB port is for charging purpose only)
2. Connect DVR to PC  
(DVR's USB port data transmission ON: for charging and data transmission)



There are two versions for DVR's port, please choose a method according real function

# 7. Specifications



<b>Display</b>	2.7", 960 x 240 pixels
<b>Processor</b>	HiSilikon 3559
<b>Image sensor</b>	Sony IMX317 8.0MP
<b>View angle</b>	140°
<b>Video resolution</b>	4K 2160P30, 1524P30, 1440P30, 1296P30, 1080P30
<b>Photo resolution</b>	8 MP
<b>Video codec</b>	H.265
<b>Picture format</b>	JPEG
<b>Memory</b>	1 GB + Micro SD/SDHC up to 256 GB (class 10)
<b>Microphone</b>	Built-in
<b>WI-Fi</b>	Yes
<b>GPS Tracker</b>	Yes
<b>Motion Detection</b>	Yes
<b>G-sensor</b>	Yes
<b>Power source</b>	Detachable rechargeable battery 320mAh, car charger
<b>Interfaces</b>	Micro USB
<b>Dimension</b>	97x52x32 mm (H x W x D)
<b>Weight</b>	98 g

Please find below a list of tested and supported microSD cards:

<b>Toshiba</b>	TF	16GB	Class 10
		32GB	Class 10
		64GB	Class 10
		128GB	Class 10
<b>Sandisk</b>	TF	16GB	Class 10
		32GB	Class 10
		64GB	Class 10
		128GB	Class 10
<b>Samsung</b>	TF	16GB	Class 10
		32GB	Class 10
		64GB	Class 10
		128GB	Class 10
		256GB	Class 10