

C200 GLASS

ATX Mid-Tower PC Case

INSTALLATION GUIDE

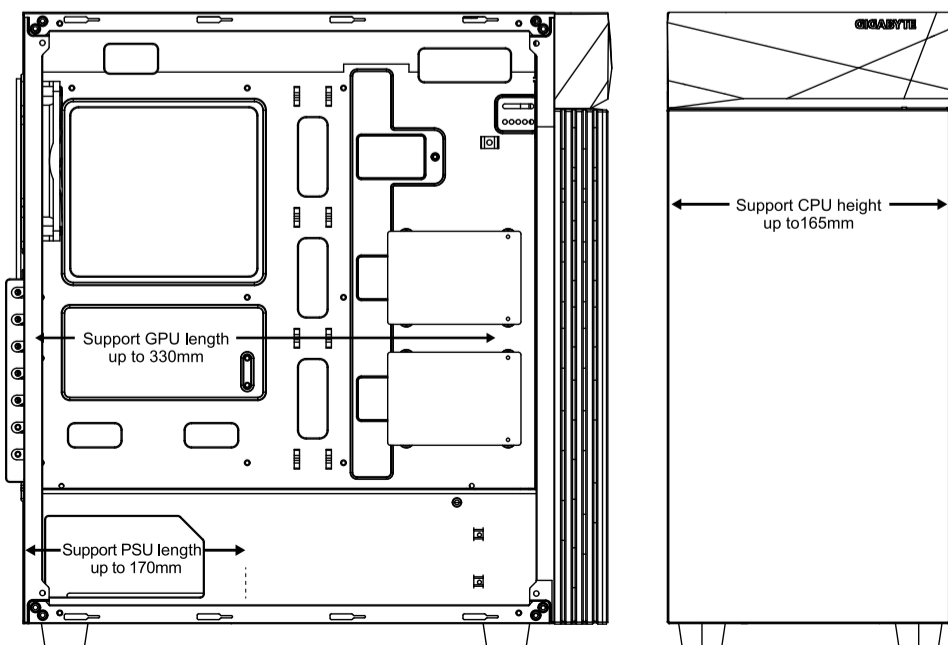
安裝說明書 / 安装说明书

Please visit www.gigabyte.com for more product information.

FITTING PACK / 安裝套件 / 安装套件

Figure	Part's Name	Qty	Used For
	Screw-A	6	PSU(4) / GPU(2)
	Screw-B	20	Motherboard(8) / CD-ROM(4) / SSD*2(8)
	Screw-C	8	3.5" HDD*2
	Screw-D	12	Fan*3
	Standoff - 6.5mm	9	Motherboard(6, pre-installed)

Max CPU Height : 165mm / Max GPU Length : 330mm / Max PSU Length : 170mm



Warranty

Gigabyte provides limited product warranty. For the latest and current terms of the Limited Product Warranty, please visit <http://www.gigabyte.com/support-downloads/customer-service.aspx>.

WEEE Information

This symbol on the product or in the instructions means that your electrical and electronic equipment should be disposed at the end its life separately from your household waste. There are separate collection system for recycling in the EU. For more information, please contact the local authority or your retailer where you purchased the product.

根据中国电子电器有害物质限制使用标示要求
产品中有害物质的名称及含量

部件名称	有害物质					
	铅(Pb)	汞(Hg)	镉(Cd)	六价铬(Cr(VI))	多溴联苯(PBB)	多溴二苯醚(PBDE)
机箱组	X	○	○	○	○	○
面板组	X	○	○	○	○	○
I/O模块	X	○	○	○	○	○
风扇	X	○	○	○	○	○
安装套件	X	○	○	○	○	○
电源	X	○	○	○	○	○

本表格依据 SJ/T 11364 的规定编制。

○ : 表示该有害物质在该部件所有均质材料中的含量均在GB/T 26572 规定的限量要求以下。

X : 表示该有害物质至少在该部件的某一均质材料中的含量超出GB/T 26572 规定的限量要求。

Asia (Headquarters)

GIGA-BYTE TECHNOLOGY CO., LTD. Taiwan

Address: No.6, Baoqiang Rd., Xindian Dist., New Taipei City 231, Taiwan

Tel: +886-2-8912-4000

<http://www.gigabyte.com>

China

GIGABYTE CHINA

Address: 24/F, HaiTong Securities Tower, No.689 Guangdong Road, Shanghai, China

Tel: +86-21-6340-0912

Europe

G.B.T. TECHNOLOGY TRADING GMBH Germany

Address: Bullenkoppel 16, 22047 Hamburg, Deutschland

Tel: +49-40-25 33 040

North America

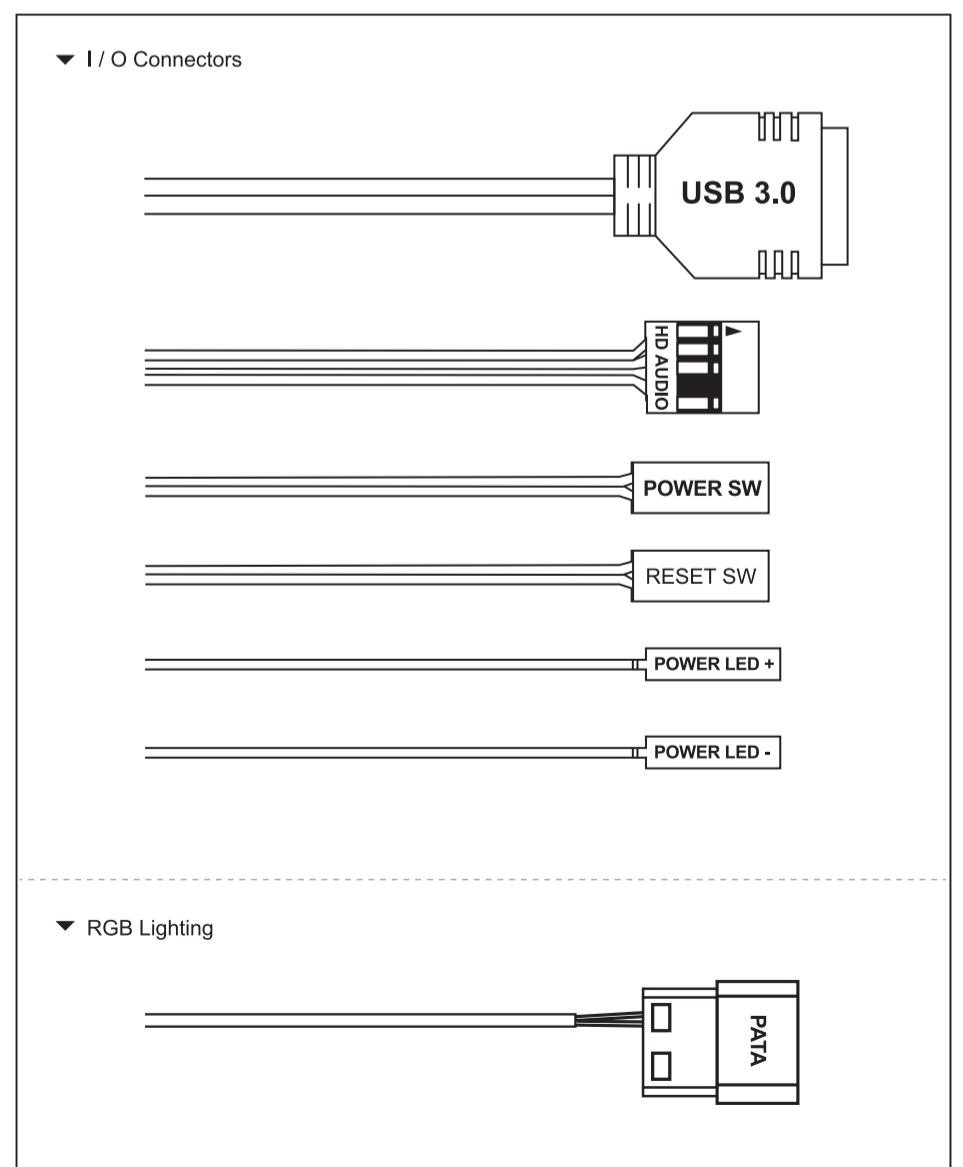
G.B.T. INC. USA

Address: 17358 Railroad Street, City of Industry, CA91748 USA

Tel: +1-626-854-9338

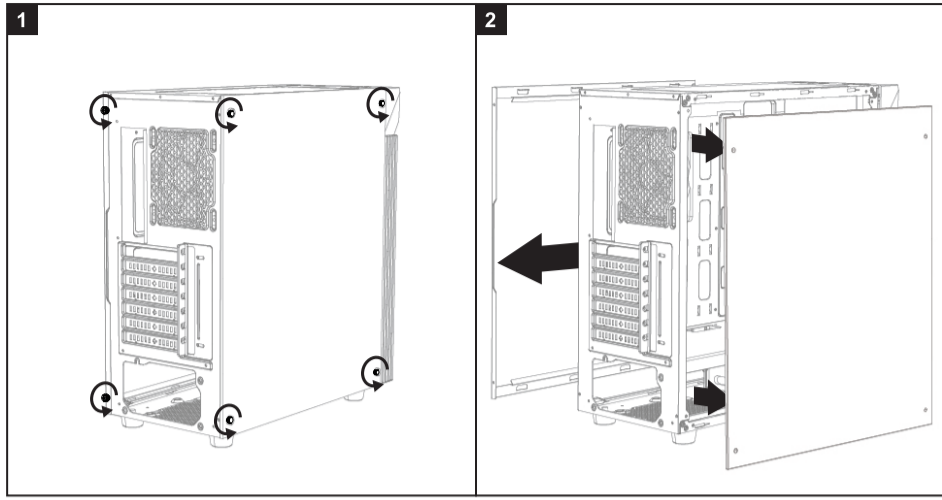
THE I/O CONNECTORS AND RGB LIGHTING POWER

連接輸出接頭以及面板燈光電源 / 连接输出接口以及面板灯光电源



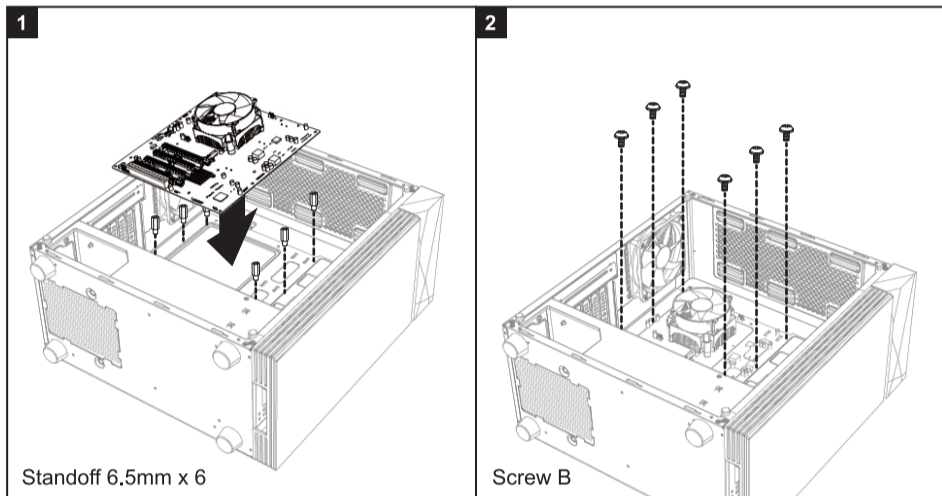
INSTALLATION / 安裝說明 / 安裝說明

1. Remove both side panels / 先拆下兩邊側板 / 先拆下兩邊側板



*Be careful when handling the tempered glass panel.
*拿取強化玻璃側板時請小心

2. Install the motherboard / 安裝主機板 / 安裝主板



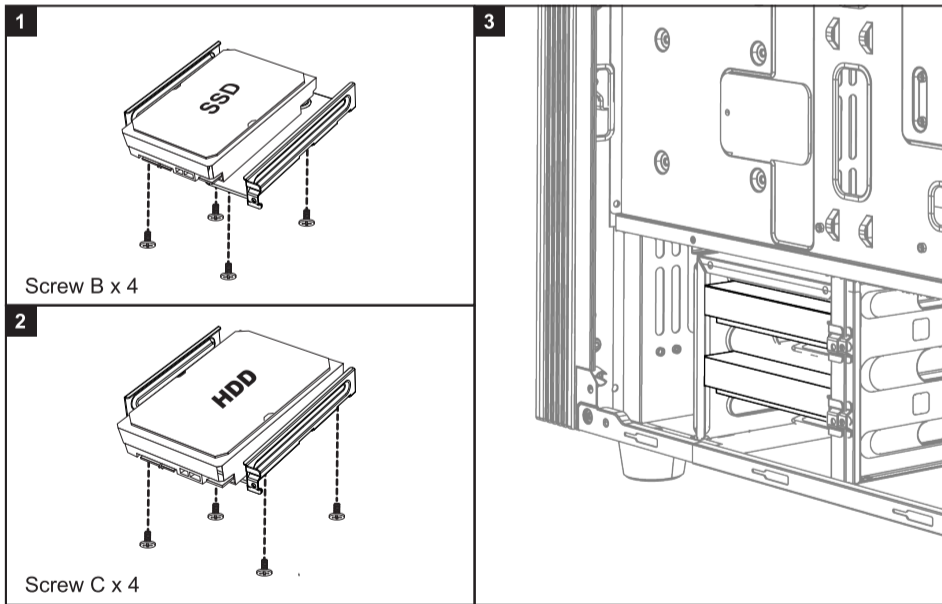
Standoff 6.5mm x 6

Screw B

*The quantity of standoff 6.5mm depends on M/B type.
*銅柱所需數量取決於主機板類型

5. Install the hard drive / 安裝硬碟 / 安裝硬盤

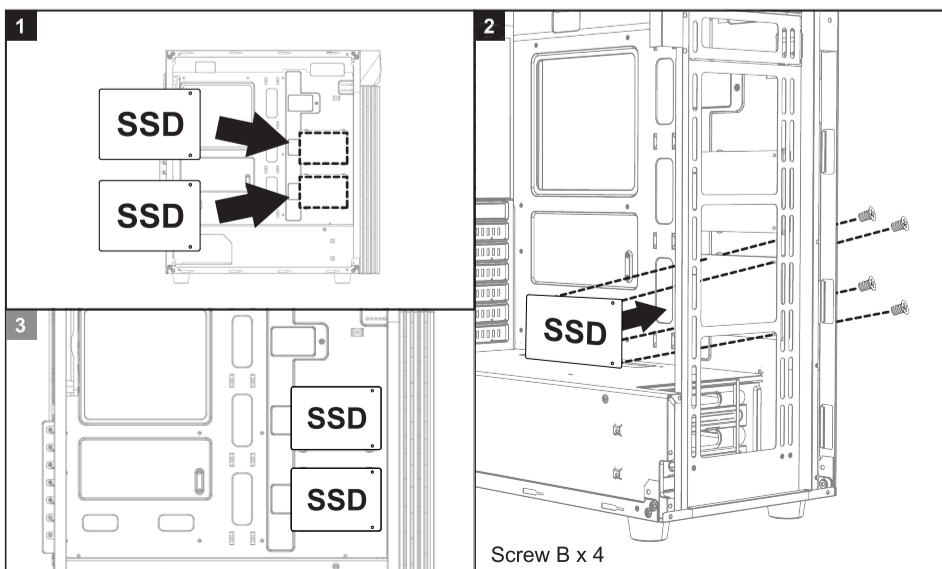
5.1 For 3.5" cage / 3.5" 插槽 / 3.5" 插槽



Screw B x 4

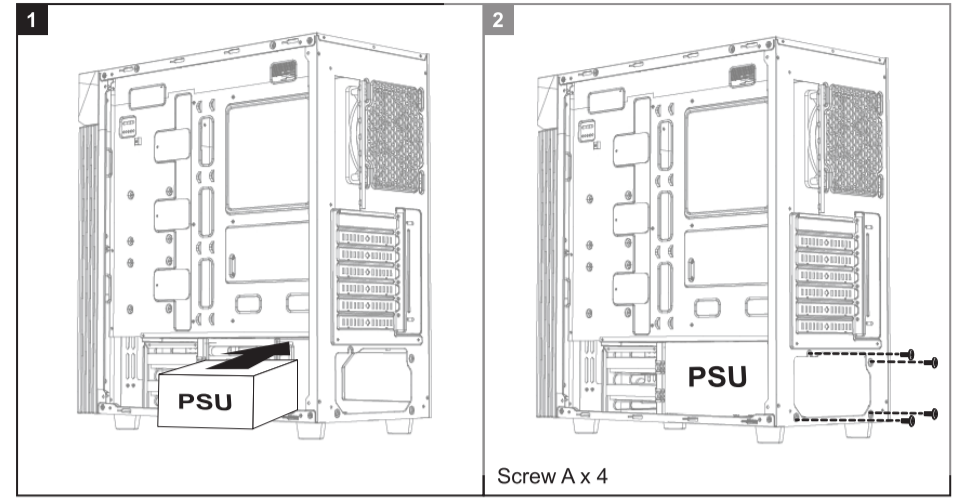
Screw C x 4

5.2 For 2.5" cage / 2.5" 插槽 / 2.5" 插槽



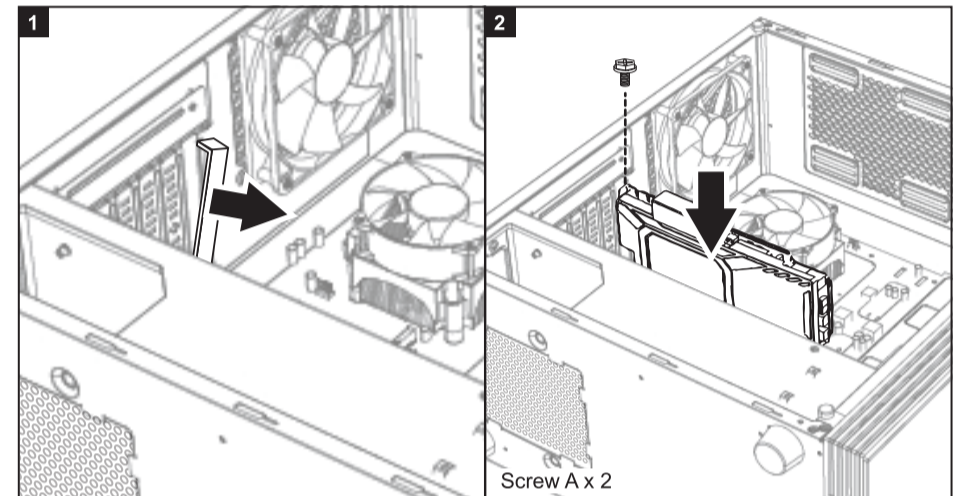
Screw B x 4

3. Install the power supply / 安裝電源供應器 / 安裝电源供应器



Screw A x 4

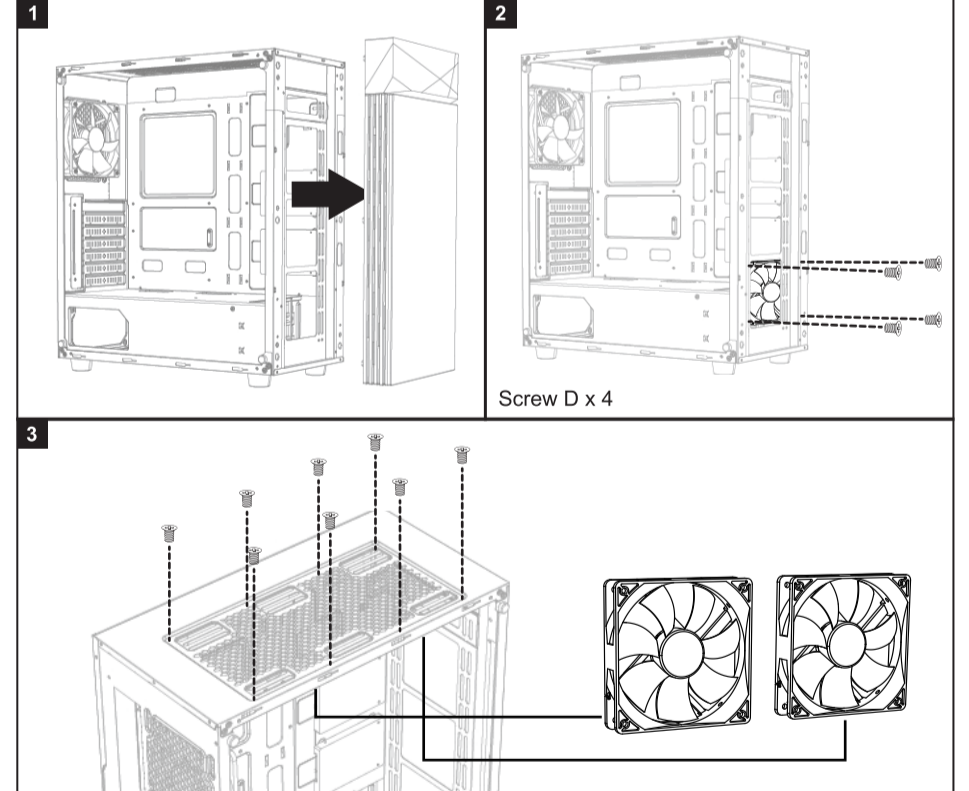
4. Install the PCI-E cards / 安裝PCI-E卡 / 安裝PCI-E卡



Screw A x 2

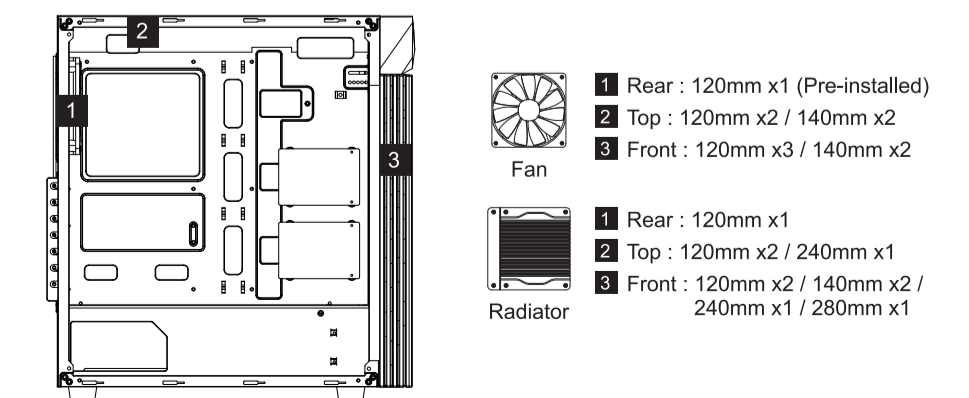
6. Install the additional system fan(not included)

安裝系統風扇 (額外添購) / 安装系统风扇 (额外添购)



Screw D x 4

7. Cooling System Support / 散熱系統支援 / 散热系统支持



Fan
1 Rear : 120mm x1 (Pre-installed)
2 Top : 120mm x2 / 140mm x2
3 Front : 120mm x3 / 140mm x2

Radiator
1 Rear : 120mm x1
2 Top : 120mm x2 / 240mm x1
3 Front : 120mm x2 / 140mm x2 / 240mm x1 / 280mm x1