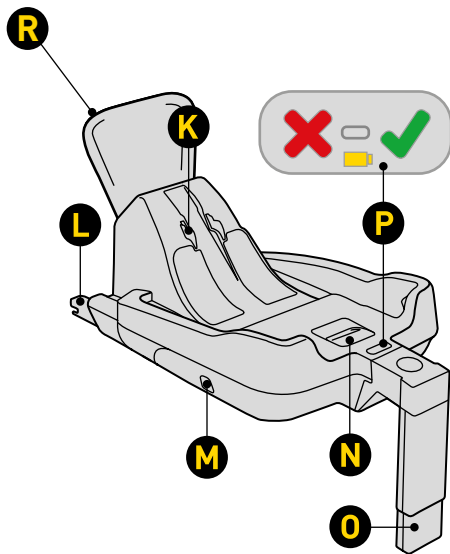
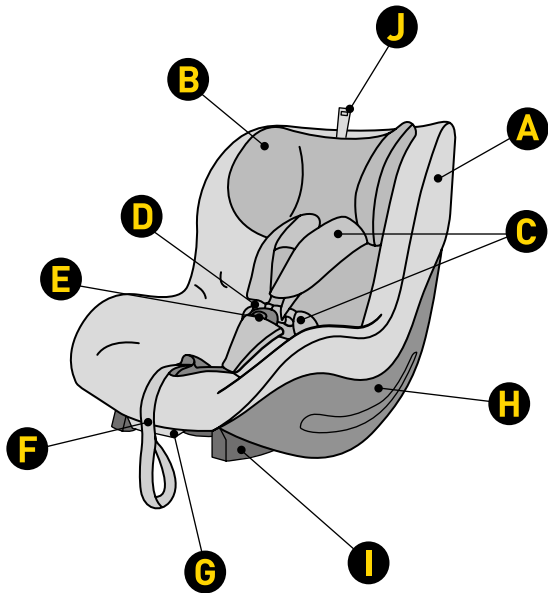


 **AVIONAUT**
driven by care

AeroFIX

67 cm - 105 cm / max. 17,5 kg



index



4



18



11



19



13



22



14



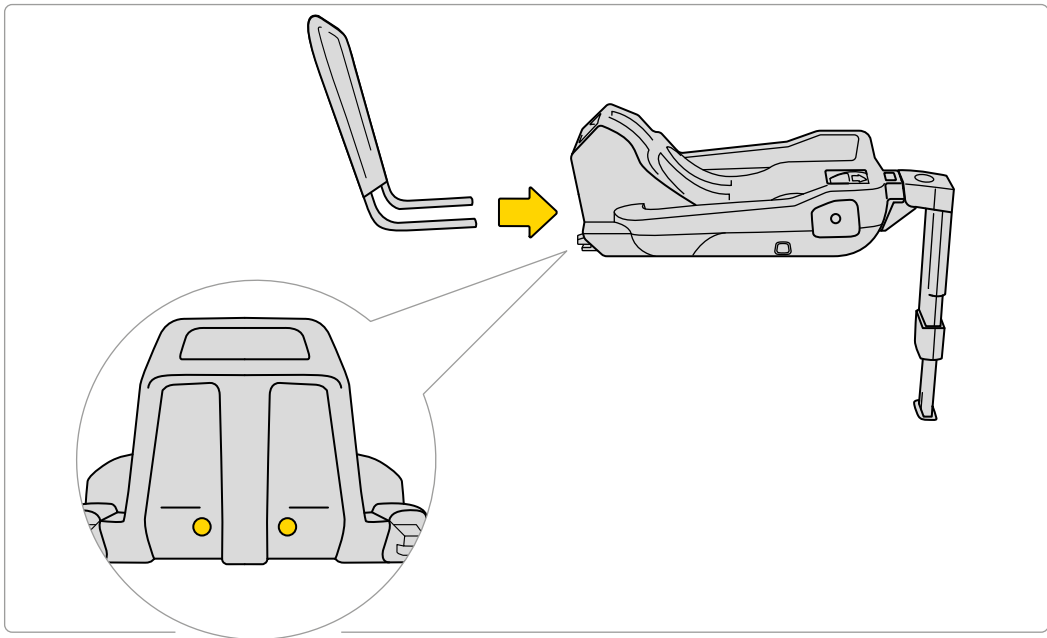
24

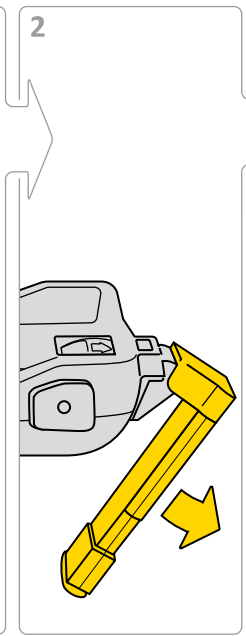
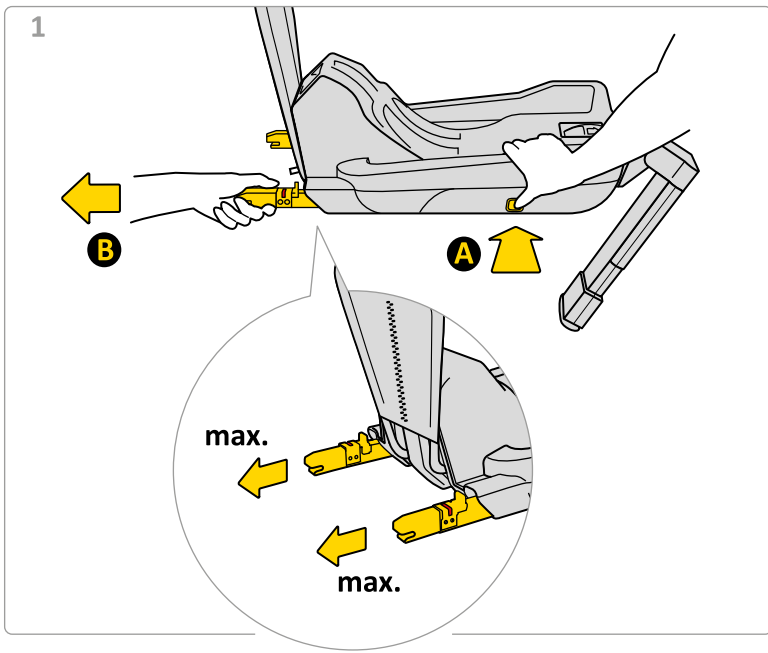


16



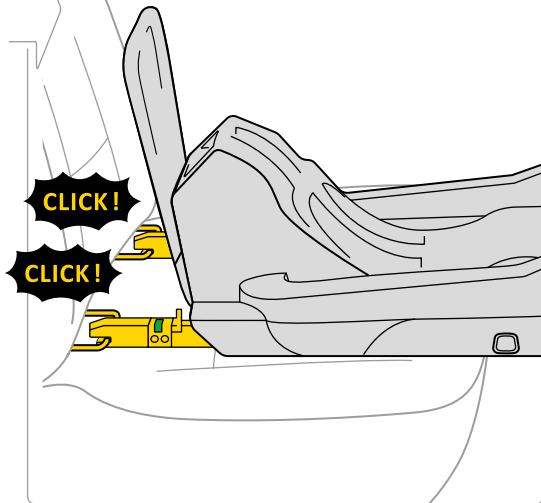
25



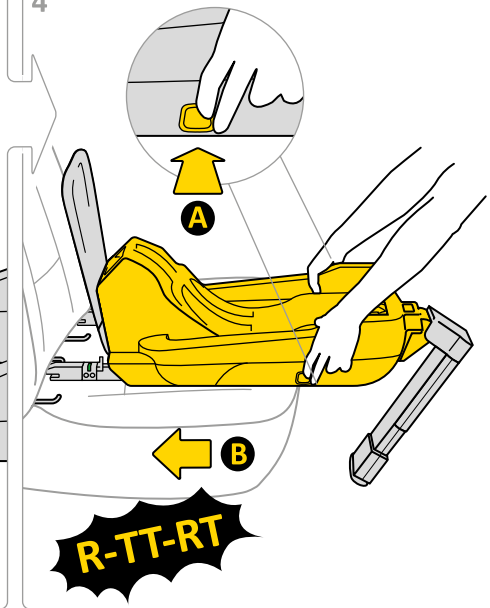




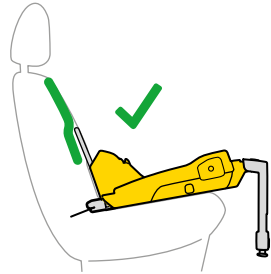
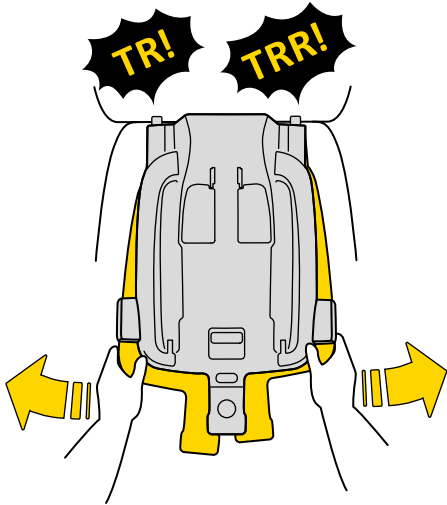
3



4

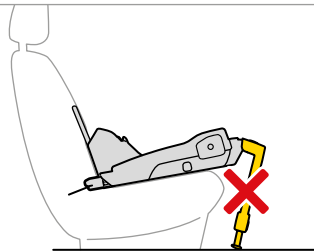
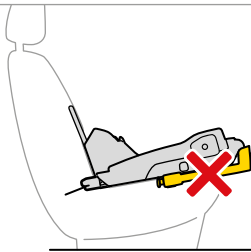
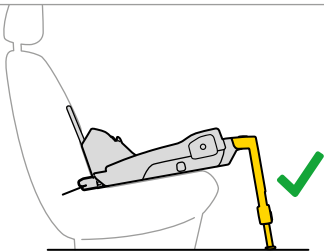
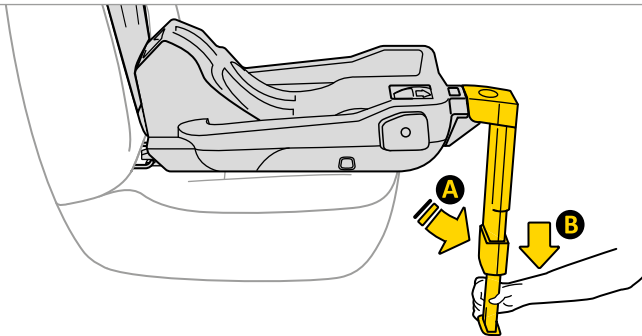


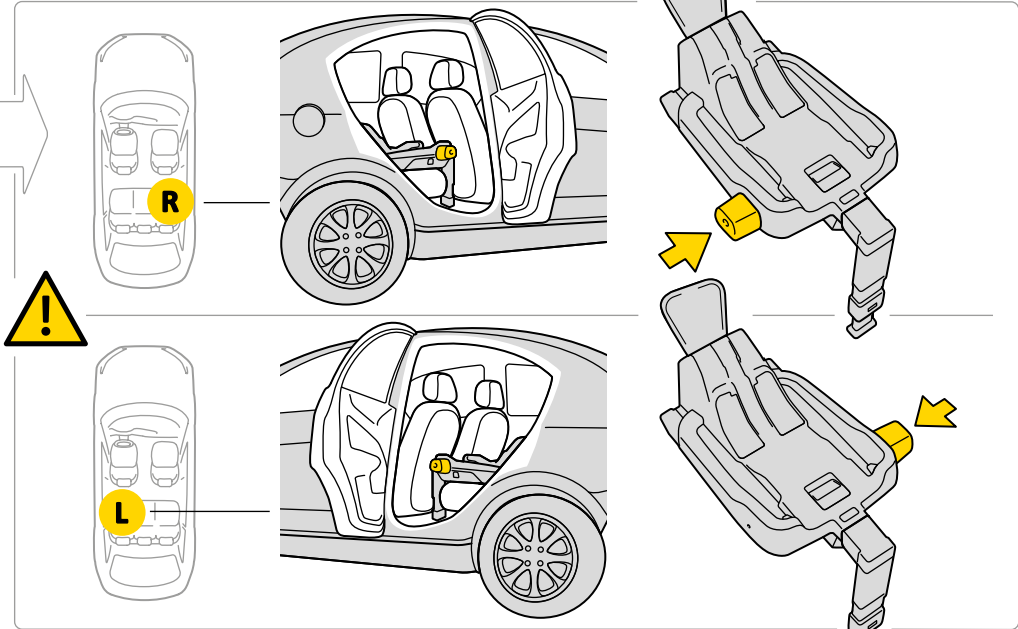
5

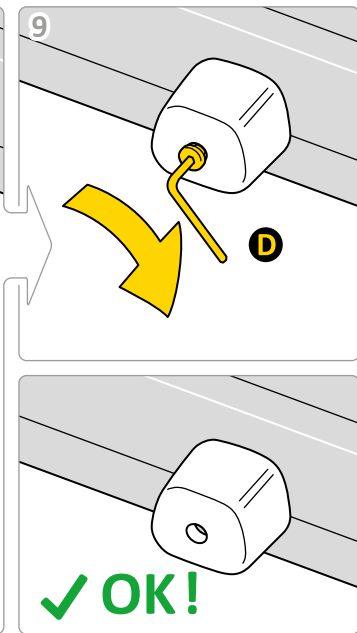
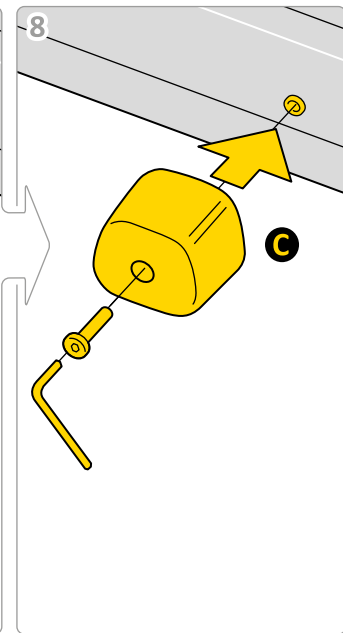
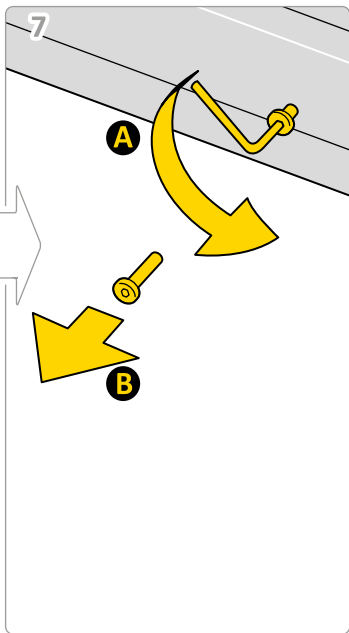


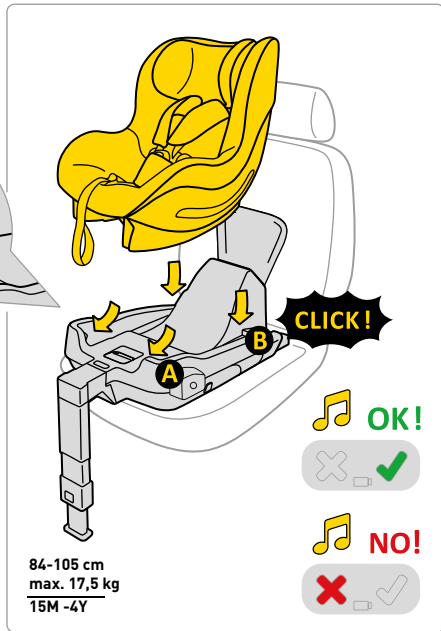
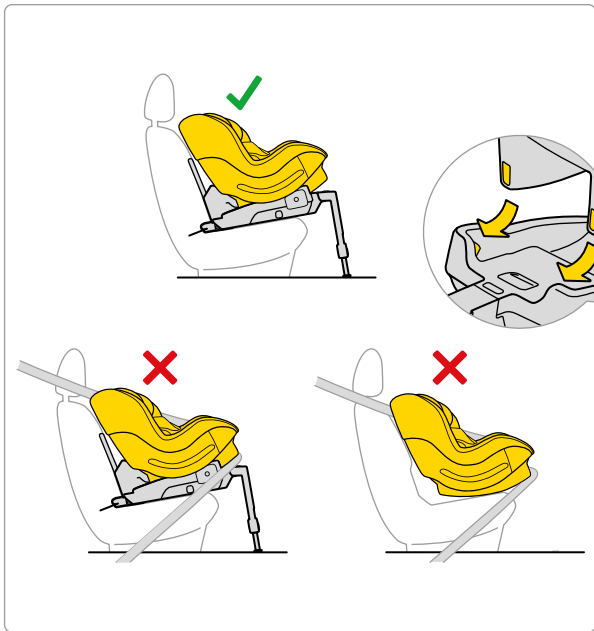


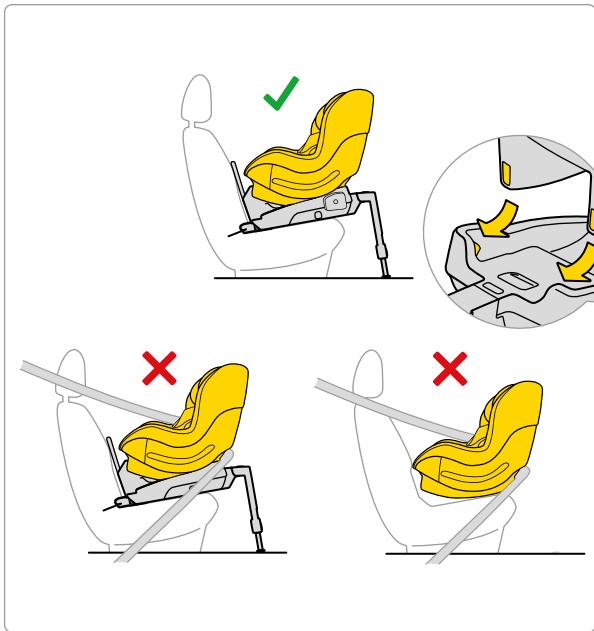
6

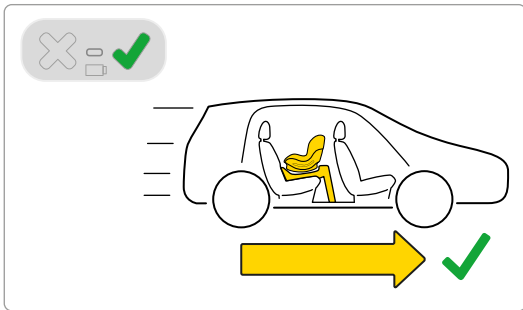
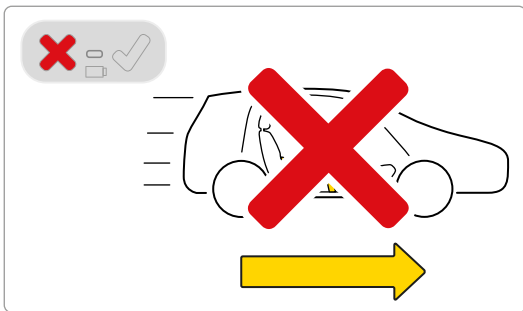
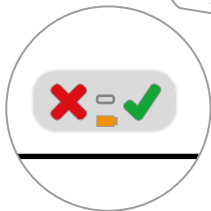
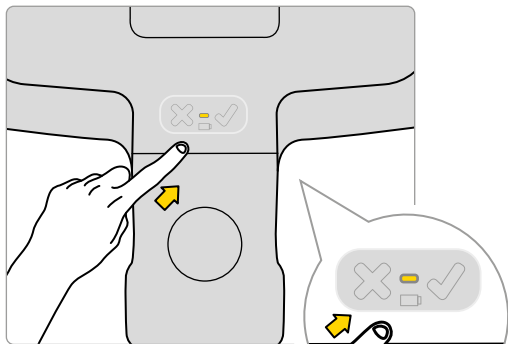


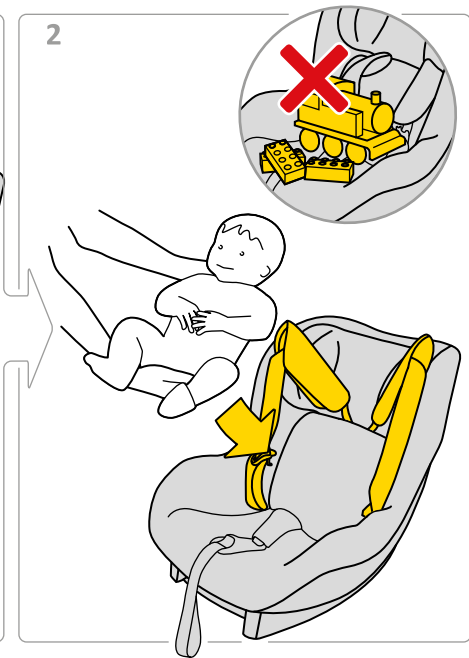
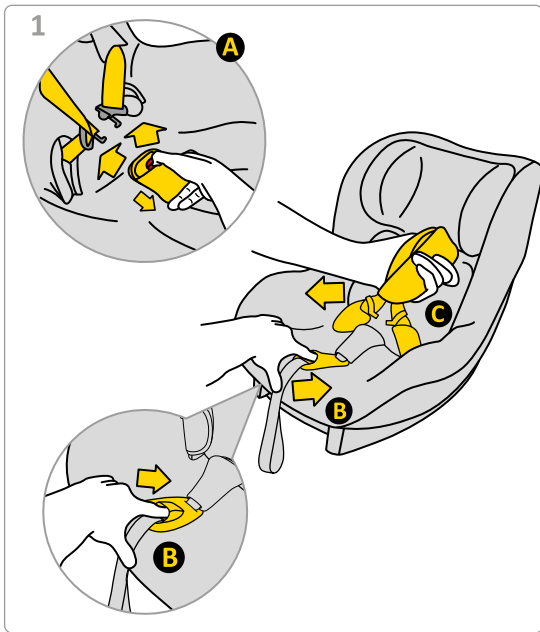


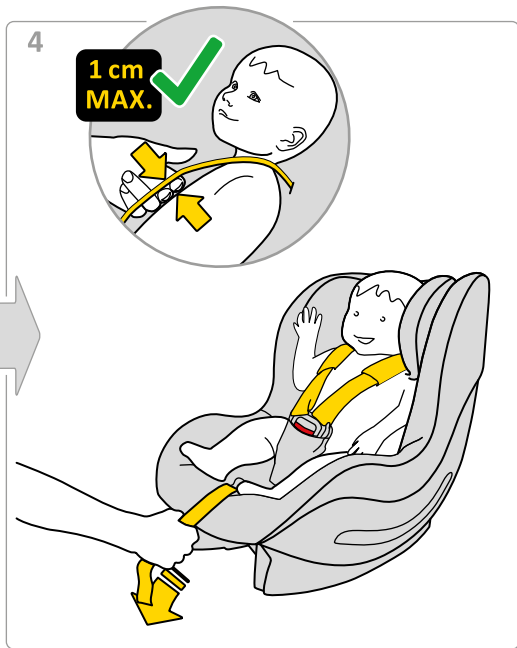
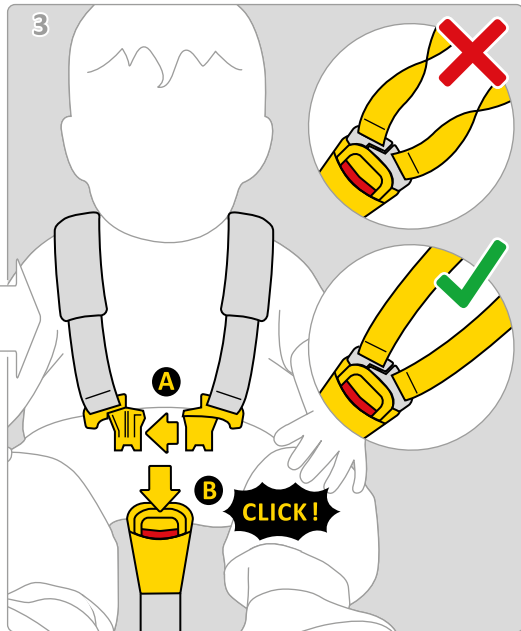


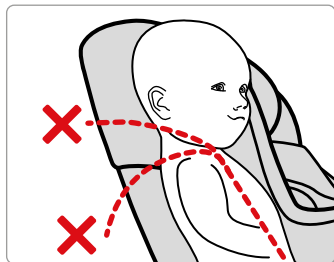
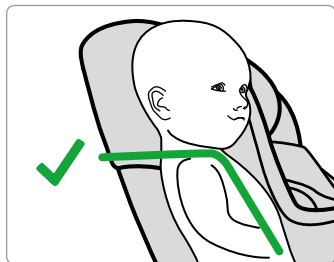
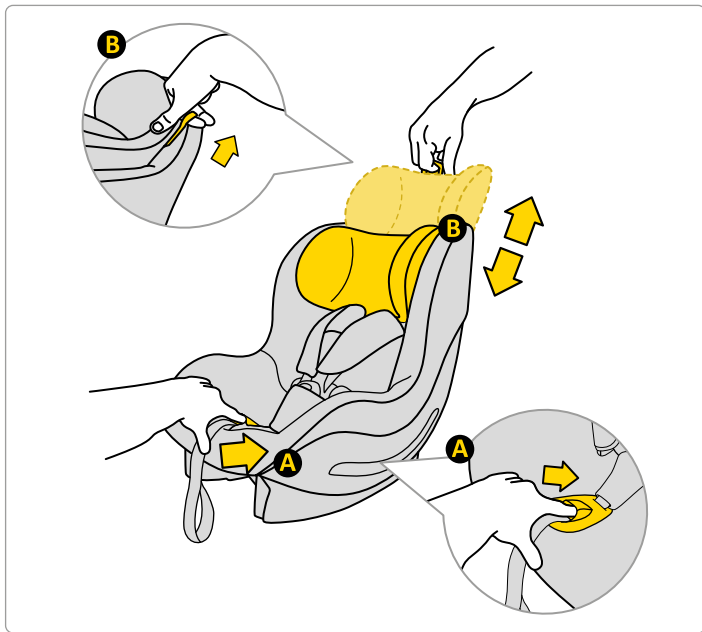


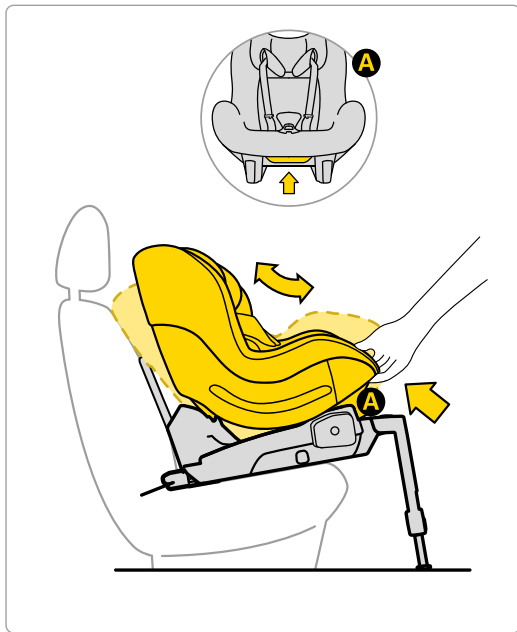


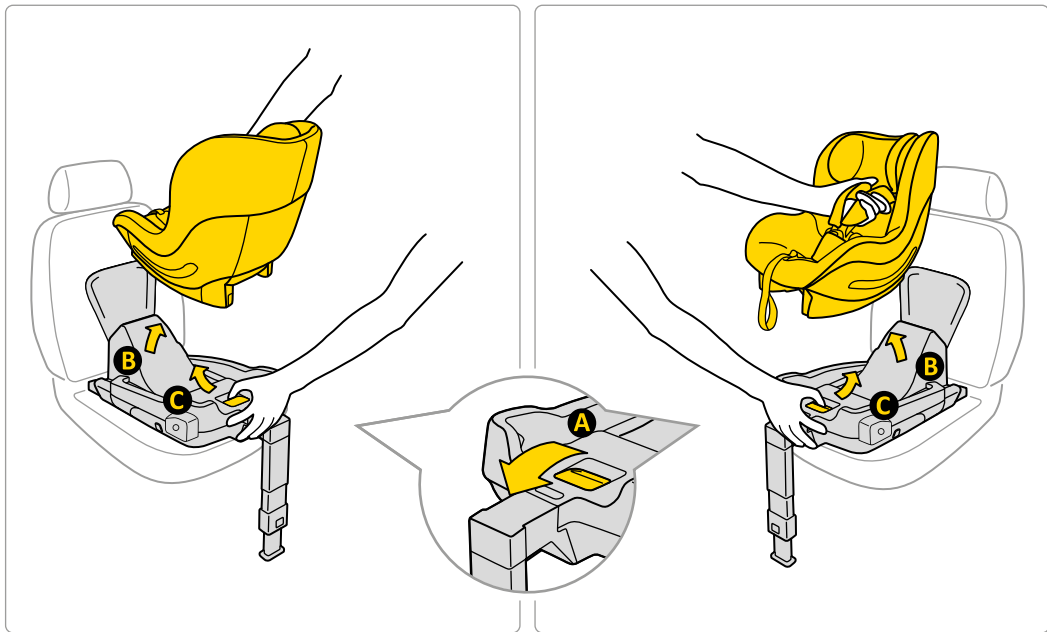


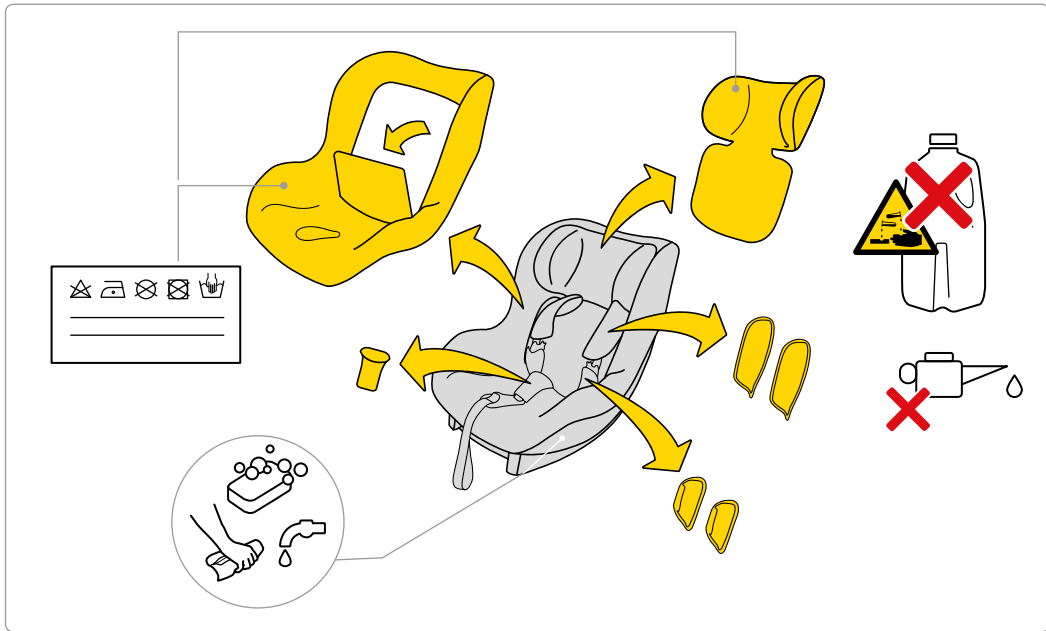


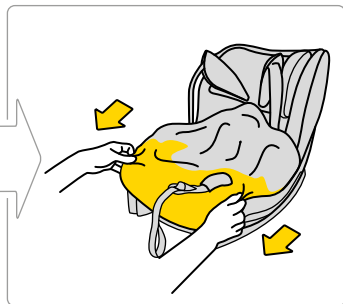
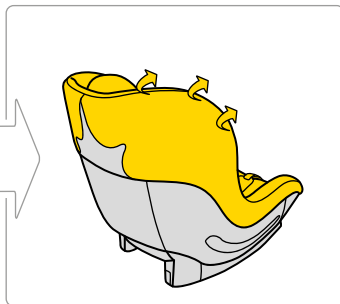
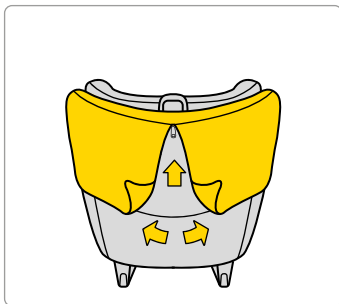
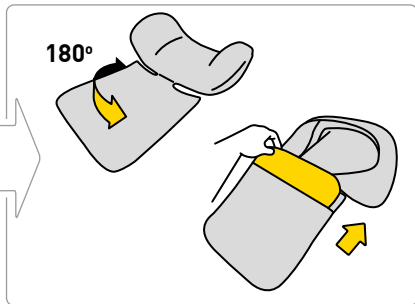
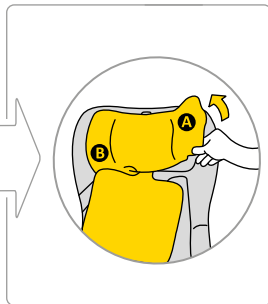
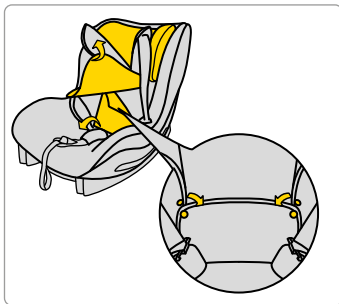


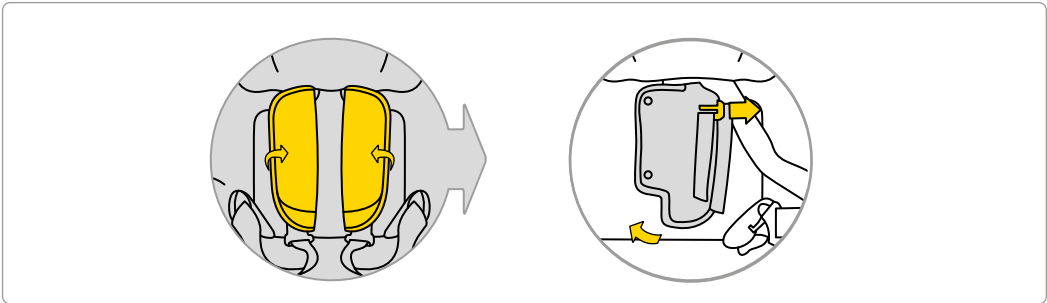
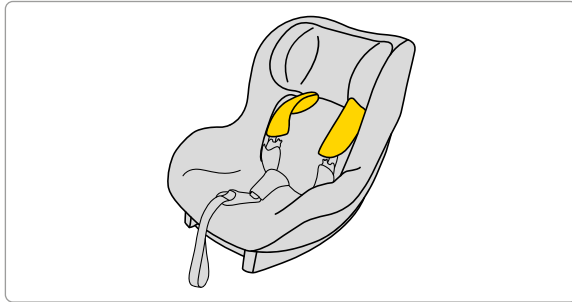






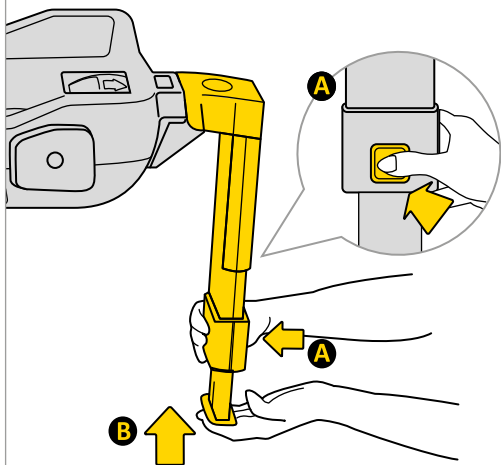




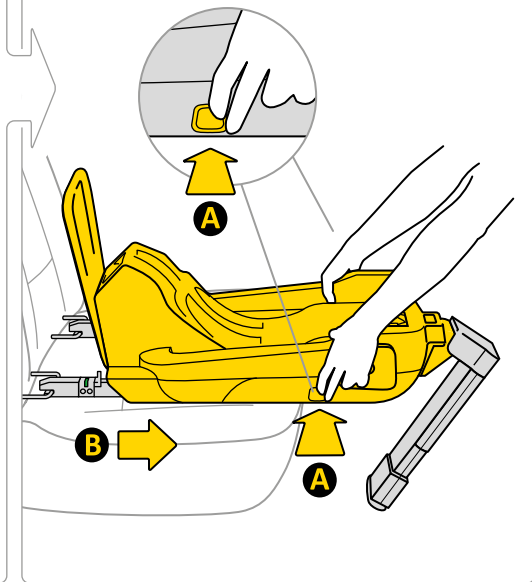


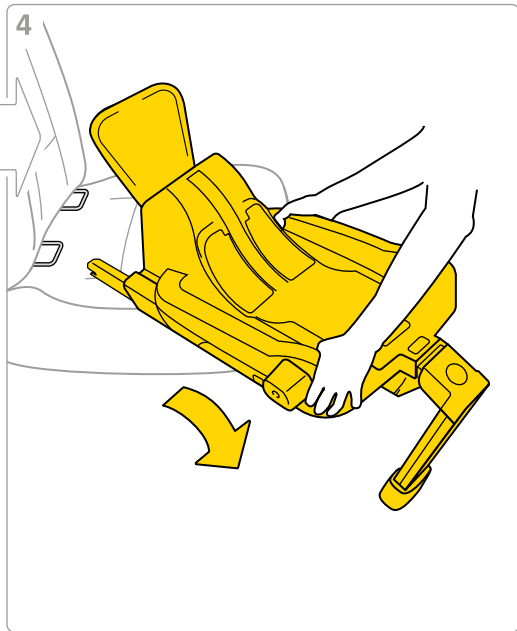
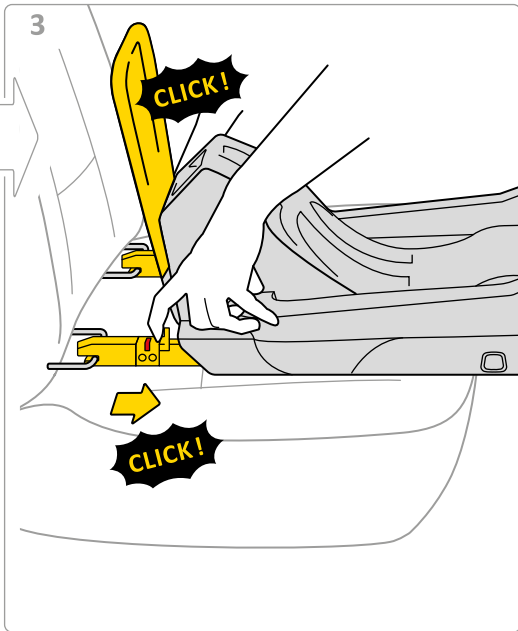


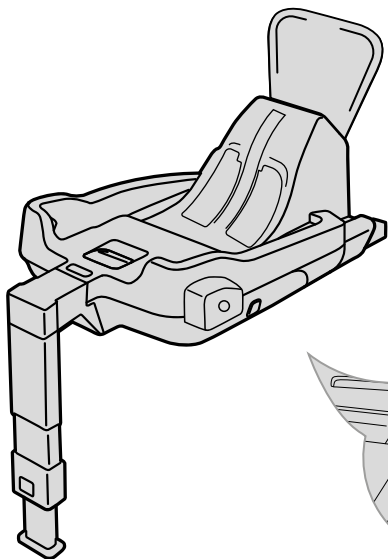
1



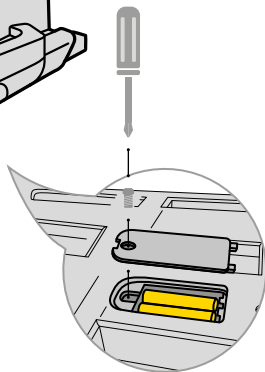
2







20%



1.5V, AA, LR6



Avionaut ® AeroFIX™ Car Seat Instructions

Important!

Do not read these instructions in a hurry. Go through them carefully and keep them for future reference. Always consult them when in doubt. Travel safely and take each car trip seriously. Even when you are only travelling a few streets away.

Warning:

Never install the Avionaut AeroFIX car seat on a front passenger seat which has an active airbag.

Warning:

Do not modify the Avionaut AeroFIX in any way, as this can affect the safety of the child during use.

Warning:

Never place the Avionaut AeroFIX on an elevated surface such as a table or chair.

Warning:

Do not use forward facing car seat if your child is less than 15 months old

Warning:

Avionaut AeroFIX can be used in both driving directions, rearward and forward front facing

- A** Upholstery
- B** Headrest
- C** Belt protector
- D** Harness shoulder straps
- E** Harness buckle
- F** Harness shoulder straps with a height adjustment option
- G** Lever to adjust the car seat recline angle
- H** Seat shell
- I** Car seat base
- J** Headrest height regulation handle
- K** Car seat installation mechanisms
- L** Installation catch for base unit
- M** Button to release the isofix connector
- N** Lever to release car seat
- O** Adjustable support leg

P Control panel

R Stabiliser

Safety, usage and travel

- Before purchasing, perform a trial installation of each seat in your car, in order to check whether it can be installed and used in the correct manner in that particular model. Matching the seat model to the type of car is one of the most important safety criteria. The sales assistant also guarantees that the installation will be fully correct during the first setup.
 - Remember that parents are always responsible for their child's safety during a car journey.
 - Never leave your child unattended in the car seat - in the car or outside of it.
 - Never travel in a car with a child on your lap.
 - If you put the Avionaut AeroFIX seat on the front passenger seat, remember to deactivate the airbag.
 - The safest place for your child to travel in a car is on the rear passenger seats.
 - Avionaut AeroFIX can be used in both driving directions, rearward and front facing position.
 - Before any journey, ensure that the seatbelts are not damaged or twisted.
 - When the car seat is installed, the rear passenger seats must be blocked and immobile.
 - Before any journey, check that the Avionaut AeroFIX seat has not been caught in the door, and is not at risk of coming into contact with loose items of baggage or passenger seat backs.
 - Ensure that all baggage in the car is securely fastened.
 - Do not use the Avionaut AeroFIX without the upholstery, as it is part of the system that is responsible for your child's safety.
 - The original upholstery cannot be replaced because it is integral part of car seat.
 - Please use Avionaut AeroFIX for children between 67 and 105cm height and maximum weight of 17.5 kg.
 - Take short breaks on long journeys. Your child needs to move about as well.
 - Always cover the seat when you leave the car parked in direct sunlight. The upholstery, metal and plastic parts can overheat and burn your child.
 - Please conduct a correct installation test. If any of the diodes are lit in red you have to improve the car
-

seat installation and conduct the test again. Please repeat this procedure until a green diode appears.

- Always fasten your child securely in the seat using the harness straps.
- Check if the seat belts are correctly fastened to make sure that the child is in the correct position.
- The seat belts cannot be used without the cover.
- Do not use the Avionaut AeroFIX for more than 5 years.
- Make sure that the space between the integral belts and the child's body is not more than 1 cm and that is possible to insert one finger only. Please tighten the belt if the space is bigger.
- You can direct your baby in the front facing position not earlier than before it is 15 months old. Although, we recommend that your child travels facing forward for as long as possible.
- Children can travel in rearward facing position in Avionaut AeroFIX until they reach a height of 105 cm.
- When placed in the rear facing position, the Avionaut AeroFIX car seat should be installed in the fully reclined, line-flat position.
- We advise against buying second-hand car seats for children — you can never be sure of their

history. If you do decide to buy a second-hand car seat, choose one with a history that is known to you.

- The car seat must be secured in the car, even when you are not travelling inside.
- Avionaut AeroFIX is not suitable for use at home. It must be used only in the car.
- Making any modifications to the car seat is prohibited. They can cause the partial or complete loss of the product's security.
- Replace your car seat if it has been in an accident.
- The manufacturer is aware that this seat may leave indentations in the upholstery of the car passenger seats. This is unavoidable due to the requirement that the seat be attached tightly. The manufacturer shall not be liable for any damage caused in this manner.

Maintenance and cleaning

1. The Avionaut AeroFIX seat upholstery can be machine washed up to 30°C.
 2. The remaining parts can be washed using soap and water and a soft sponge.
 3. Keep your car seat clean. Do not use moisturizing agents or harsh cleaning materials.
-

4. Do not use lubricants on the moving elements or any part of the car seat.

The environment

- The plastic wrapping should be kept away from children, in order to avoid the risk of suffocation.
- The batteries for the information panel in the base of the car seat should be disposed of appropriately.
- Out of concern for the environment, when you have finished using this car seat, please dispose of it in an appropriate waste management facility, in keeping with the appropriate local laws.

Questions

If you have any questions, call your retailer or authorised dealer. Prepare the following information:

- the age, height and weight of your child,
- the make and model of your car, and the place in the car that the Avionaut AeroFIX will be installed.

Warranty

- The Avionaut AeroFIX comes with a 24 month warranty.
- We hereby confirm that this product was manufactured in accordance with current

European safety and quality standards and that, at the time of purchase, it is free from manufacturing or material defects.

- The warranty is valid in the country of purchase and is administered by the authorised distributor.
 - The warranty covers all manufacturing defects, whether in workmanship or materials, on condition that the product is used according to the instructions, in normal conditions, by the first end-user and for 24 months from the date of purchase. Avionaut is liable for the repair or exchange of faulty products, but the guarantor decides on the manner in which the fault will be removed and considers each claim.
 - The warranty does not cover damage caused by normal wear and tear, such as fabric wear, and the natural loss of colour and deterioration in materials resulting from the normal ageing of the product.
 - Additionally, the warranty does not cover product faults caused by accidental damage, not following the instructions, inappropriate use, or damage resulting from negligence, fire, contact with liquids or other outside causes.
-

- When a claim is made, the Avionaut AeroFIX seat must have all labels or the identification number and must be serviced only by an authorised person.

Would you like to make a claim?

- If you find a defect and would like to make a claim, contact the retailer who sold you your Avionaut AeroFIX. When making a claim you will need to produce your proof of purchase, which should be dated in the 24 months preceding your service request.
- If your product needs to be sent to a service centre, return it to the distributor or retailer. The method of delivery and delivery costs should be agreed on at this time, as the lack of such an agreement may result in the guarantor refusing to cover the delivery costs. Damages and/or defects which are not covered by our warranty or by consumer rights and/or product damage and/or defects not covered by our warranty can be removed for an agreed upon fee.

Consumer rights:

- The consumer has rights in accordance with the relevant legislation, which may vary according to country. This warranty does not affect the consumer's rights arising from the appropriate national legislation.
- This warranty was prepared by KARWALA, a company registered in Poland.

The company's address is:

KARWALA
Szarlejka, ul. Łukaszewicza 172
42-130 Wręczyca Wielka, Poland

GUARANTEE CARD

NO	START DATE OF	RANGE OF REPAIR	DATE OF COMPLETION	SIGN

SELLING DATE

SHOP STAMP