

Robert Bosch Power Tools GmbH
70538 Stuttgart
GERMANY

www.bosch-pt.com

1 609 92A 41J (2017.10) T / 62



1 609 92A 41J

GST 8000 E Professional



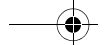
en Original instructions
fr Notice originale
pt Manual original
cn 正本使用说明书
tw 原始使用說明書
ko 사용 설명서 원본

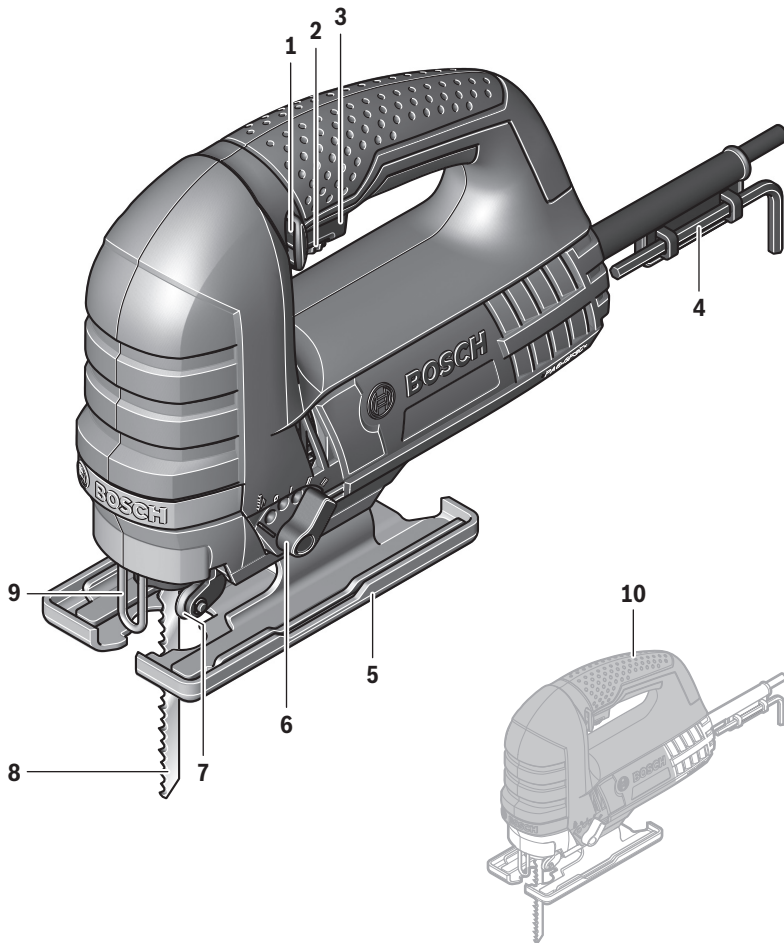
th หนังสือคู่มือการใช้งานฉบับต้นแบบ
id Petunjuk-Petunjuk untuk Penggunaan Orisinal
vi Bản gốc hướng dẫn sử dụng
ar تعليمات التشغيل الأصلية
fa دفترچه راهنمای اصلی





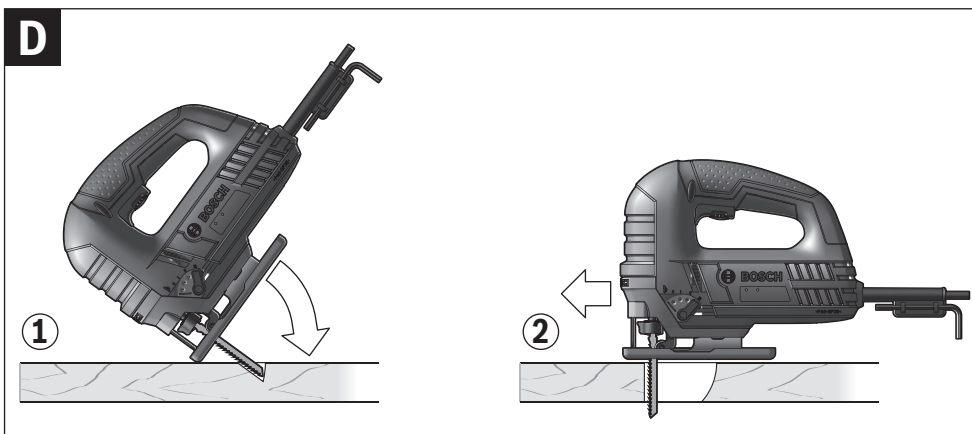
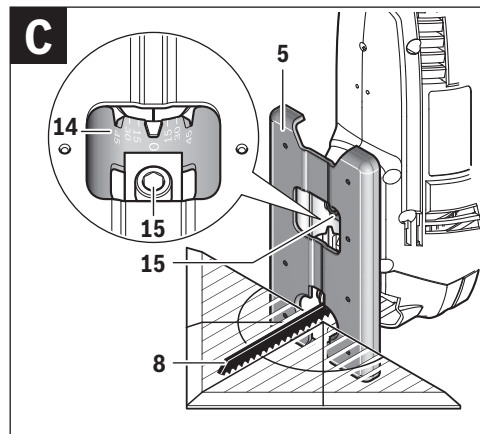
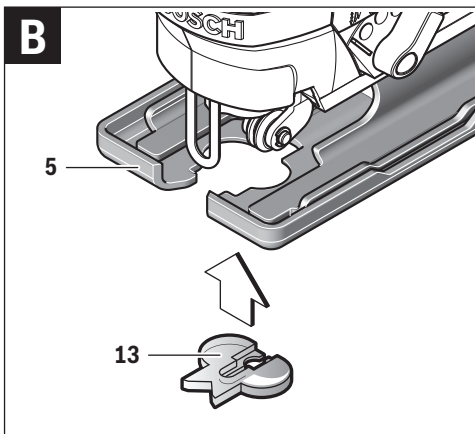
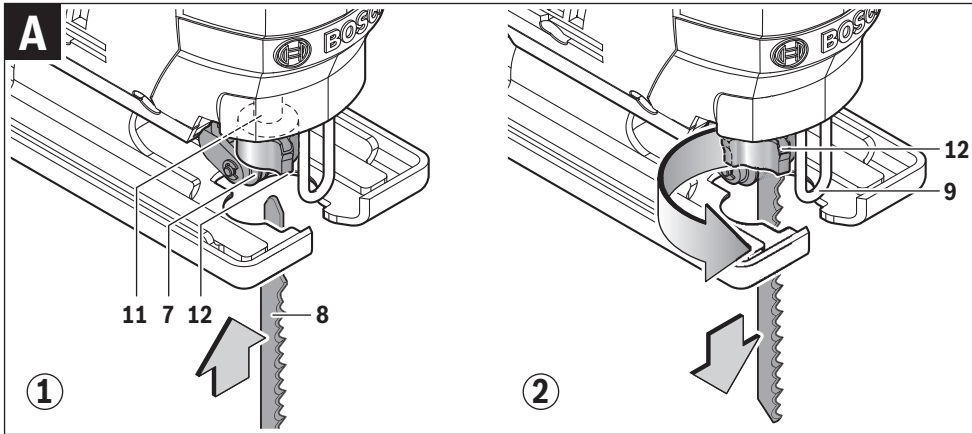
English	Page 5
Français	Page 11
Português	Página 16
中文	页 21
中文	頁 24
한국어	페이지 29
ภาษาไทย	หน้า 33
Bahasa Indonesia	Halaman 38
Tiếng Việt	Trang 43
عربي	صفحة 54
فارسی	صفحه 59





GST 8000 E

4 |



English

Safety Notes

General Power Tool Safety Warnings

⚠ WARNING Read all safety warnings and all instructions. Failure to follow the warnings and instructions may result in electric shock, fire and/or serious injury.

Save all warnings and instructions for future reference.

The term "power tool" in the warnings refers to your mains-operated (corded) power tool or battery-operated (cordless) power tool.

Work area safety

- ▶ **Keep work area clean and well lit.** Cluttered or dark areas invite accidents.
- ▶ **Do not operate power tools in explosive atmospheres, such as in the presence of flammable liquids, gases or dust.** Power tools create sparks which may ignite the dust or fumes.
- ▶ **Keep children and bystanders away while operating a power tool.** Distractions can cause you to lose control.

Electrical safety

- ▶ **Power tool plugs must match the outlet. Never modify the plug in any way. Do not use any adapter plugs with earthed (grounded) power tools.** Unmodified plugs and matching outlets will reduce risk of electric shock.
- ▶ **Avoid body contact with earthed or grounded surfaces, such as pipes, radiators, ranges and refrigerators.** There is an increased risk of electric shock if your body is earthed or grounded.
- ▶ **Do not expose power tools to rain or wet conditions.** Water entering a power tool will increase the risk of electric shock.
- ▶ **Do not abuse the cord. Never use the cord for carrying, pulling or unplugging the power tool. Keep cord away from heat, oil, sharp edges and moving parts.** Damaged or entangled cords increase the risk of electric shock.
- ▶ **When operating a power tool outdoors, use an extension cord suitable for outdoor use.** Use of a cord suitable for outdoor use reduces the risk of electric shock.
- ▶ **If operating a power tool in a damp location is unavoidable, use a residual current device (RCD) protected supply.** Use of an RCD reduces the risk of electric shock.

Personal safety

- ▶ **Stay alert, watch what you are doing and use common sense when operating a power tool. Do not use a power tool while you are tired or under the influence of drugs, alcohol or medication.** A moment of inattention while operating power tools may result in serious personal injury.
- ▶ **Use personal protective equipment. Always wear eye protection.** Protective equipment such as dust mask, non-skid safety shoes, hard hat, or hearing protection used for appropriate conditions will reduce personal injuries.

- ▶ **Prevent unintentional starting. Ensure the switch is in the off-position before connecting to power source and/or battery pack, picking up or carrying the tool.** Carrying power tools with your finger on the switch or energising power tools that have the switch on invites accidents.
- ▶ **Remove any adjusting key or wrench before turning the power tool on.** A wrench or a key left attached to a rotating part of the power tool may result in personal injury.
- ▶ **Do not overreach. Keep proper footing and balance at all times.** This enables better control of the power tool in unexpected situations.
- ▶ **Dress properly. Do not wear loose clothing or jewelry. Keep your hair, clothing and gloves away from moving parts.** Loose clothes, jewellery or long hair can be caught in moving parts.
- ▶ **If devices are provided for the connection of dust extraction and collection facilities, ensure these are connected and properly used.** Use of dust collection can reduce dust-related hazards.

Power tool use and care

- ▶ **Do not force the power tool. Use the correct power tool for your application.** The correct power tool will do the job better and safer at the rate for which it was designed.
- ▶ **Do not use the power tool if the switch does not turn it on and off.** Any power tool that cannot be controlled with the switch is dangerous and must be repaired.
- ▶ **Disconnect the plug from the power source and/or the battery pack from the power tool before making any adjustments, changing accessories, or storing power tools.** Such preventive safety measures reduce the risk of starting the power tool accidentally.
- ▶ **Store idle power tools out of the reach of children and do not allow persons unfamiliar with the power tool or these instructions to operate the power tool.** Power tools are dangerous in the hands of untrained users.
- ▶ **Maintain power tools. Check for misalignment or binding of moving parts, breakage of parts and any other condition that may affect the power tool's operation. If damaged, have the power tool repaired before use.** Many accidents are caused by poorly maintained power tools.
- ▶ **Keep cutting tools sharp and clean.** Properly maintained cutting tools with sharp cutting edges are less likely to bind and are easier to control.
- ▶ **Use the power tool, accessories and tool bits etc. in accordance with these instructions, taking into account the working conditions and the work to be performed.** Use of the power tool for operations different from those intended could result in a hazardous situation.

Service

- ▶ **Have your power tool serviced by a qualified repair person using only identical replacement parts.** This will ensure that the safety of the power tool is maintained.

6 | English

Safety Warnings for Jigsaws

- ▶ **Hold power tool by insulated gripping surfaces, when performing an operation where the cutting accessory may contact hidden wiring or its own cord.** Cutting accessory contacting a "live" wire may make exposed metal parts of the power tool "live" and could give the operator an electric shock.
- ▶ **Keep hands away from the sawing range. Do not reach under the workpiece.** Contact with the saw blade can lead to injuries.
- ▶ **Apply the machine to the workpiece only when switched on.** Otherwise there is danger of kickback when the cutting tool jams in the workpiece.
- ▶ **Pay attention that the base plate 5 rests securely on the material while sawing.** A jammed saw blade can break or lead to kickback.
- ▶ **When the cut is completed, switch off the machine and then pull the saw blade out of the cut only after it has come to a standstill.** In this manner you can avoid kickback and can place down the machine securely.
- ▶ **Use only undamaged saw blades that are in perfect condition.** Bent or dull saw blades can break, negatively influence the cut, or lead to kickback.
- ▶ **Do not brake the saw blade to a stop by applying side pressure after switching off.** The saw blade can be damaged, break or cause kickback.
- ▶ **Use suitable detectors to determine if utility lines are hidden in the work area or call the local utility company for assistance.** Contact with electric lines can lead to fire and electric shock. Damaging a gas line can lead to explosion. Penetrating a water line causes property damage or may cause an electric shock.
- ▶ **Secure the workpiece.** A workpiece clamped with clamping devices or in a vice is held more secure than by hand.
- ▶ **Always wait until the machine has come to a complete stop before placing it down.** The tool insert can jam and lead to loss of control over the power tool.
- ▶ **Products sold in GB only:** Your product is fitted with a BS 1363/A approved electric plug with internal fuse (ASTA approved to BS 1362).
If the plug is not suitable for your socket outlets, it should be cut off and an appropriate plug fitted in its place by an authorised customer service agent. The replacement plug should have the same fuse rating as the original plug.
The severed plug must be disposed of to avoid a possible shock hazard and should never be inserted into a mains socket elsewhere.

Product Description and Specifications

Read all safety warnings and all instructions. Failure to follow the warnings and instructions may result in electric shock, fire and/or serious injury.

Intended Use

The machine is intended for making separating cuts and cut-outs in wood, plastic, metal, ceramic plates and rubber while resting firmly on the workpiece. It is suitable for straight and curved cuts with mitre angles to 45°. The saw blade recommendations are to be observed.

Product Features

The numbering of the product features refers to the illustration of the machine on the graphics page.

- 1 Lock-on button for On/Off switch
- 2 Thumbwheel for stroke rate preselection
- 3 On/Off switch
- 4 Hex key
- 5 Base plate
- 6 Adjusting lever for orbital action
- 7 Guide roller
- 8 Saw blade*
- 9 Contact protector
- 10 Handle (insulated gripping surface)
- 11 Stroke rod
- 12 SDS clamping lever for saw blade release
- 13 Splinter guard
- 14 Scale for mitre angle
- 15 Screw

*Accessories shown or described are not part of the standard delivery scope of the product. A complete overview of accessories can be found in our accessories program.

Technical Data

Jigsaw	GST 8000 E	
Article number		3 601 E8H 0..
Rated power input	W	710
Stroke rate at no load n_0	min ⁻¹	800 – 3100
Stroke	mm	20
Cutting capacity, max.		
– in wood	mm	80
– in aluminium	mm	20
– in non-alloy steel	mm	10
Bevel cuts (left/right), max.	°	45
Weight according to EPTA-Procedure 01:2014	kg	2.5
Protection class		□/II

The values given are valid for a nominal voltage [U] of 230 V. For different voltages and models for specific countries, these values can vary.

Assembly

- ▶ **Before any work on the machine itself, pull the mains plug.**

Replacing/Inserting the Saw Blade

- ▶ **When mounting the saw blade, wear protective gloves.**
Danger of injury when touching the saw blade.

Selecting a Saw Blade

An overview of recommended saw blades can be found at the end of these instructions. Use only T-shank saw blades. The saw blade should not be longer than required for the intended cut.

Use a thin saw blade for narrow curve cuts.

Inserting the Saw Blade (see figure A1)

Insert the saw blade **8** (teeth in cutting direction) into the stroke rod **11** until it latches. The SDS lever **12** automatically snaps to the rear and the saw blade is locked. Do not manually press the lever **12** toward the rear, otherwise you could damage the machine.

While inserting the saw blade, pay attention that the back of the saw blade is positioned in the groove of the guide roller **7**.

- ▶ **Check the tight seating of the saw blade.** A loose saw blade can fall out and lead to injuries.

Ejecting the Saw Blade (see figure A2)

- ▶ **When ejecting the saw blade, hold the machine in such a manner that no persons or animals can be injured by the ejected saw blade.**

Turn the SDS lever **12** toward the front in the direction of the contact protector **9**. The saw blade is released and ejected.

Splinter Guard (see figure B)

The splinter guard **13** (accessory) can prevent fraying of the surface while sawing wood. The splinter guard can only be used for certain saw blade types and only for cutting angles of 0°. When sawing with the splinter guard, the base plate **5** must not be moved back for cuts that are close to the edge.

Press the splinter guard **13** from the bottom into the base plate **5**.

Dust/Chip Extraction

- ▶ Dust from materials such as lead-containing coatings, some wood types, minerals and metal can be harmful to one's health. Touching or breathing-in the dust can cause allergic reactions and/or lead to respiratory infections of the user or bystanders.
 - Certain dust, such as oak or beech dust, is considered carcinogenic, especially in connection with wood-treatment additives (chromate, wood preservative). Materials containing asbestos may only be worked by specialists.
 - Provide for good ventilation of the working place.
 - It is recommended to wear a P2 filter-class respirator.
- ▶ **Prevent dust accumulation at the workplace.** Dust can easily ignite.

Operation

Operating Modes

- ▶ **Before any work on the machine itself, pull the mains plug.**

Orbital Action Settings

The four orbital action settings allow for optimal adaptation of cutting speed, cutting capacity and cutting pattern to the material being sawed.

The orbital action can be adjusted with the adjusting lever **6**, even during operation.

Setting 0	No orbital action
Setting I	Small orbital action
Setting II	Medium orbital action
Setting III	Large orbital action

The optimal orbital action setting for the respective application can be determined through practical testing. The following recommendations apply:

- Select a lower orbital action setting (or switch it off) for a finer and cleaner cutting edge.
- For thin materials such as sheet metal, switch the orbital action off.
- For hard materials such as steel, work with low orbital action.
- For soft materials and when sawing in the direction of the grain, work with maximum orbital action.

Adjusting the Cutting Angle (see figure C)

Loosen the screw **15** and lightly slide the base plate **5** in the direction of the mains cable.

For adjustment of precise mitre angles, the base plate has adjustment notches on the left and right at 0° and 45°. Swivel the base plate **5** to the desired position according to the scale **14**. Other mitre angles can be adjusted using a protractor.

Afterwards, push the base plate **5** to the stop in the direction of the saw blade **8**.

Tighten the screw **15** again.

The splinter guard **13** can not be inserted for mitre cuts.

Offsetting the Base Plate (see figure C)

For sawing close to edges, the base plate **5** can be offset to the rear.

Loosen the screw **15** and slide the base plate **5** to the stop toward the mains cable.

Tighten the screw **15** again.

Sawing with the base plate **5** offset is possible only with a mitre angle of 0°. The splinter guard **13** may not be used.

Starting Operation

- ▶ **Observe correct mains voltage! The voltage of the power source must agree with the voltage specified on the nameplate of the machine. Power tools marked with 230 V can also be operated with 220 V.**

Products sold in AUS and NZ only: Use a residual current device (RCD) with a rated residual current of 30 mA or less.

Switching On and Off

To **start** the machine, press the On/Off switch **3**.

To **lock** the On/Off switch **3**, keep it depressed and push the lock-on button **1** to the right or left.

To **switch off** the machine, release the On/Off switch **3**. When the On/Off switch **3** is locked, press it first and then release it.

8 | English

Controlling/Presetting the Stroke Rate

Increasing or reducing the pressure on the On/Off switch **3** enables stepless stroke-rate control of the switched-on machine.

Light pressure on the On/Off switch **3** results in a low stroke rate. Increasing the pressure also increases the stroke rate.

When the On/Off switch **3** is locked, it is not possible to reduce the stroke rate.

With the thumbwheel for stroke rate preselection **2**, the stroke rate can be preset and changed during operation.

The required stroke rate is dependent on the material and the working conditions and can be determined by a practical trial.

Reducing the stroke rate is recommended when the saw blade engages in the material as well as when sawing plastic and aluminium.

After longer periods of work at low stroke rate, the machine can heat up considerably. Remove the saw blade from the machine and allow the machine to cool down by running it for approx. 3 minutes at maximum stroke rate.

Working Advice

▶ **Before any work on the machine itself, pull the mains plug.**

▶ **When working small or thin work pieces, always use a sturdy support or a saw table (accessory).**

Check wood, press boards, building materials, etc. for foreign objects such as nails, screws or similar, and remove them, if required.

Contact Protector

The contact protector **9** attached to the casing prevents accidental touching of the saw blade during the working procedure and may not be removed.

Plunge Cutting (see figure D)

▶ **The plunge cutting procedure is only suitable for treating soft materials such as wood, plaster board or similar! Do not work metal materials with the plunge cutting procedure!**

Use only short saw blades for plunge cutting. Plunge cutting is possible only with the mitre angle set at 0°.

Place the machine with the front edge of the base plate **5** on to the workpiece without the saw blade **8** touching the workpiece and switch on. For machines with stroke rate control, select the maximum stroke rate. Firmly hold the machine against the workpiece and by tilting the machine, slowly plunge the saw blade into the workpiece.

When the base plate **5** fully lays on the workpiece, continue sawing along the desired cutting line.

Coolant/Lubricant

When sawing metal, coolant/lubricant should be applied alongside cutting line because of the material heating up.

Maintenance and Service**Maintenance and Cleaning**

▶ **Before any work on the machine itself, pull the mains plug.**

▶ **For safe and proper working, always keep the machine and ventilation slots clean.**

If the replacement of the supply cord is necessary, this has to be done by Bosch or an authorized Bosch service agent in order to avoid a safety hazard.

Clean the saw blade holder regularly. For this, remove the saw blade from the machine and lightly tap out the machine on a level surface.

Heavy contamination of the machine can lead to malfunctions. Therefore, do not saw materials that produce a lot of dust from below or overhead.

▶ **In extreme conditions, always use dust extraction as far as possible. Blow out ventilation slots frequently and install a portable residual current device (PRCD).**

When working metals, conductive dust can settle in the interior of the power tool. The total insulation of the power tool can be impaired.

Lubricate the guide roller **7** occasionally with a drop of oil.

Check the guide roller **7** regularly. If worn, it must be replaced through an authorised Bosch after-sales service agent.

After-sales Service and Application Service

Our after-sales service responds to your questions concerning maintenance and repair of your product as well as spare parts. Exploded views and information on spare parts can also be found under:

www.bosch-pt.com

Bosch's application service team will gladly answer questions concerning our products and their accessories.

In all correspondence and spare parts orders, please always include the 10-digit article number given on the nameplate of the product.

Cambodia

Robert Bosch (Cambodia) Co., Ltd
Unit 8BC, GT Tower, 08th Floor, Street 169,
Czechoslovakia Blvd, Sangkat Veal Vong
Khan 7 Makara, Phnom Penh
VAT TIN: 100 169 511
Tel.: +855 23 900 685
Tel.: +855 23 900 660
www.bosch.com.kh

People's Republic of China**China Mainland**

Bosch Power Tools (China) Co., Ltd.
567, Bin Kang Road
Bin Jiang District 310052
Hangzhou, P. R. China
Tel.: 4008268484
Fax: (0571) 87774502
E-Mail: contact.ptcn@cn.bosch.com
www.bosch-pt.com.cn

HK and Macau Special Administrative Regions

Robert Bosch Co. Ltd.
21st Floor, 625 King's Road
North Point, Hong Kong
Customer Service Hotline: +852 2101 0235
Fax: +852 2590 9762
E-Mail: info@hk.bosch.com
www.bosch-pt.com.hk

India

Bosch Service Center
69, Habibullah Road, (Next to PSBB School), T. Nagar
Chennai – 600077
Phone: (044) 64561816

Bosch Service Center Rishyamook
85A, Panchkuin Road
New Delhi – 110001
Phone: (011) 43166190

Bosch Service Center
79, Crystal Bldg., Dr. Annie Besant Road, Worli
Mumbai – 400018
Phone: (022) 39569936 / (022) 39569959 /
(022) 39569967 / (022) 24952071

Indonesia

PT Robert Bosch
Palma Tower 10th Floor
Jalan RA Kartini II-S Kaveling 6
Pondok Pinang, Kebayoran Lama
Jakarta Selatan 12310
Tel.: (21) 3005-5800
www.bosch-pt.co.id

Malaysia

Robert Bosch Sdn. Bhd. (220975-V) PT/SMY
No. 8A, Jalan 13/6
46200 Petaling Jaya
Selangor
Tel.: (03) 79663194
Toll-Free: 1800 880188
Fax: (03) 79583838
E-Mail: kiathoe.chong@my.bosch.com
www.bosch-pt.com.my

Pakistan

Robert Bosch Middle East FZE – Pakistan Liaison Office
2nd Floor Plaza # 10, CCA Block, DHA Phase 5
Lahore, 54810
Phone: +92(303)4444311
Email: Faisal.Khan@bosch.com

Philippines

Robert Bosch, Inc.
28th Floor Fort Legend Towers,
3rd Avenue corner 31st Street,
Fort Bonifacio, Global City,
1634 Taguig City
Tel.: (632) 8703871
Fax: (632) 8703870
www.bosch-pt.com.ph

Singapore

Powerwell Service Centre Ptd Ltd
Bosch Authorised Service Centre (Power Tools)
4012 Ang Mo Kio Ave 10, #01-02 TECHplace
Singapore 569628
Tel.: 6452 1770
Fax: 6452 1760
E-Mail: ask@powerwellsc.com
www.powerwellsc.com
www.bosch-pt.com.sg

Thailand

Robert Bosch Ltd.
Liberty Square Building
No. 287, 11 Floor
Silom Road, Bangrak
Bangkok 10500
Tel.: 02 6393111
Fax: 02 2384783
Robert Bosch Ltd., P. O. Box 2054
Bangkok 10501
www.bosch.co.th

Bosch Service – Training Centre
La Salle Tower Ground Floor Unit No.2
10/11 La Salle Moo 16
Srinakharin Road
Bangkaew, Bang Plee
Samutprakarn 10540
Tel.: 02 7587555
Fax: 02 7587525

Vietnam

Branch of Bosch Vietnam Co., Ltd in HCMC
Floor 10, 194 Golden Building
473 Dien Bien Phu Street
Ward 25, Binh Thanh District, Ho Chi Minh City
Tel.: (08) 6258 3690
Fax: (08) 6258 3692
Hotline: (08) 6250 8555
www.bosch-pt.com.vn

Armenia, Azerbaijan, Georgia, Kyrgyzstan, Mongolia, Tajikistan, Turkmenistan, Uzbekistan

TOO "Robert Bosch" Power Tools, After Sales Service
Rayimbek Ave., 169/1
050050, Almaty, Kazakhstan
Service Email: service.pt.ka@bosch.com
Official Website: www.bosch.com, www.bosch-pt.com

Bahrain

Hatem Al Juffali Technical Equipment Establishment.
Kingdom of Bahrain, Setra Highway, Al Aker Area
Phone: +966126971777-311
Fax: +97317704257
Email: h.berjas@ejab.com.sa

10 | English**Egypt**

Unimar
 20 Markaz kadmat
 El tagmoa EL Aoul – New Cairo
 Phone: +20 2224 76091-95
 Phone: +20 2224 78072-73
 Fax: +20 2224 78075
 Email: adelzaki@unimaregypt.com

Iran

Robert Bosch Iran
 3rd Floor, No 3, Maadiran Building
 Aftab St., Khodami St., Vanak Sq.
 Tehran 1994834571
 Phone: +9821- 86092057

Iraq

Sahba Technology Group
 Al Muthana airport road
 Baghdad
 Phone: +9647901906953
 Phone Dubai: +97143973851
 Email: bosch@sahbatechnology.com

Jordan

Roots Arabia – Jordan
 Nasser Bin Jameel street, Building 37 Al Rabiah
 11194 Amman
 Phone: +962 6 5545778
 Email: bosch@rootsjordan.com

Kuwait

Al Qurain Automotive Trading Company
 Shuwaikh Industrial Area, Block 1, Plot 16, Street 3rd
 P.O. Box 164 – Safat 13002
 Phone: 24810844
 Fax: 24810879
 E-mail: josephkr@aaalmutawa.com

Lebanon

Tehini Hana & Co. S.A.R.L.
 P.O. Box 90-449
 Jdeideh
 Dora-Beirut
 Phone: +9611255211
 Email: service-pt@tehini-hana.com

Libya

El Naser for Workshop Tools
 Swanee Road, Alfalah Area
 Tripoli
 Phone: +218 21 4811184

Oman

Malatan Trading & Contracting LLC
 P.O. Box 131
 Ruwi, 112 Sultanate of Oman
 Phone: +968 99886794
 Email: malatanpowertools@malatan.net

Qatar

International Construction Solutions W L L
 P. O. Box 51, Doha
 Phone: +974 40065458
 Fax: +974 4453 8585
 Email: csd@icsdoha.com

Saudi Arabia

Juffali Technical Equipment Co. (JTECO)
 Kilo 14, Madinah Road, Al Bawadi District
 Jeddah 21431
 Phone: +966 2 6672222 Ext. 1528
 Fax: +966 2 6676308
 Email: roland@eajb.com.sa

Syria

Dallal Establishment for Power Tools
 P.O. Box 1030
 Aleppo
 Phone: +963212116083
 Email: rita.dallal@hotmail.com

United Arab Emirates

Central Motors & Equipment LLC, P.O. Box 1984
 Al-Wahda Street – Old Sana Building
 Sharjah
 Phone: +971 6 593 2777
 Fax: +971 6 533 2269
 Email: powertools@centralmotors.ae

Yemen

Abualrejal Trading Corporation
 Sana'a Zubiery St. Front to new Parliament Building
 Phone: +967-1-202010
 Fax: +967-1-279029
 Email: tech-tools@abualrejal.com

Ethiopia

Forever plc
 Kebele 2,754, BP 4806,
 Addis Ababa
 Phone: +251 111 560 600
 Email: foreverplc@ethionet.et

Ghana

C. WOERMANN LTD.
 Nsawam Road/Avenor Junction, P.O. Box 1779
 Accra
 Phone: +233 302 225 141

Kenya

Robert Bosch East Africa Ltd
 Mpaka Road P.O. Box 856
 00606 Nairobi

Nigeria

Robert Bosch Nigeria Ltd.
 52 – 54 Isaac John Street P.O. Box
 GRA Ikeja – Lagos

Republic of South Africa

Customer service
 Hotline: (011) 6519600

Gauteng – BSC Service Centre

35 Roper Street, New Centre
Johannesburg
Tel.: (011) 4939375
Fax: (011) 4930126
E-Mail: bsctools@icon.co.za

KZN – BSC Service Centre

Unit E, Almar Centre
143 Crompton Street
Pinetown
Tel.: (031) 7012120
Fax: (031) 7012446
E-Mail: bsc.dur@za.bosch.com

Western Cape – BSC Service Centre

Democracy Way, Prosperity Park
Milnerton
Tel.: (021) 5512577
Fax: (021) 5513223
E-Mail: bsc@zsd.co.za

Bosch Headquarters

Midrand, Gauteng
Tel.: (011) 6519600
Fax: (011) 6519880
E-Mail: rbsa-hq.pts@za.bosch.com

Tanzania

Diesel & Autoelectric Service Ltd.
117 Nyerere Rd., P.O. Box 70839
Vingunguti 12109, Dar Es Salaam
Phone: +255 222 861 793/794

Australia, New Zealand and Pacific Islands

Robert Bosch Australia Pty. Ltd.
Power Tools
Locked Bag 66
Clayton South VIC 3169
Customer Contact Center
Inside Australia:
Phone: (01300) 307044
Fax: (01300) 307045

Inside New Zealand:
Phone: (0800) 543353
Fax: (0800) 428570

Outside AU and NZ:
Phone: +61 3 95415555
www.bosch-pt.com.au
www.bosch-pt.co.nz

Disposal

The machine, accessories and packaging should be sorted for environmental-friendly recycling.



Do not dispose of power tools into household waste!

Subject to change without notice.

Français

Avertissements de sécurité

Avertissements de sécurité généraux pour l'outil

⚠ AVERTISSEMENT Lire tous les avertissements de sécurité et toutes les instructions. Ne pas suivre les avertissements et instructions peut donner lieu à un choc électrique, un incendie et/ou une blessure sérieuse.

Conservation de tous les avertissements et toutes les instructions pour pouvoir s'y reporter ultérieurement.

Le terme « outil » dans les avertissements fait référence à votre outil électrique alimenté par le secteur (avec cordon d'alimentation) ou votre outil fonctionnant sur batterie (sans cordon d'alimentation).

Sécurité de la zone de travail

- ▶ **Conservation de la zone de travail propre et bien éclairée.** Les zones en désordre ou sombres sont propices aux accidents.
- ▶ **Ne pas faire fonctionner les outils électriques en atmosphère explosive, par exemple en présence de liquides inflammables, de gaz ou de poussières.** Les outils électriques produisent des étincelles qui peuvent enflammer les poussières ou les fumées.
- ▶ **Maintenir les enfants et les personnes présentes à l'écart pendant l'utilisation de l'outil.** Les distractions peuvent vous faire perdre le contrôle de l'outil.

Sécurité électrique

- ▶ **Il faut que les fiches de l'outil électrique soient adaptées au socle. Ne jamais modifier la fiche de quelque façon que ce soit. Ne pas utiliser d'adaptateurs avec des outils à branchement de terre.** Des fiches non modifiées et des socles adaptés réduiront le risque de choc électrique.
- ▶ **Éviter tout contact du corps avec des surfaces reliées à la terre telles que les tuyaux, les radiateurs, les cuisinières et les réfrigérateurs.** Il existe un risque accru de choc électrique si votre corps est relié à la terre.
- ▶ **Ne pas exposer les outils à la pluie ou à des conditions humides.** La pénétration d'eau à l'intérieur d'un outil augmentera le risque de choc électrique.
- ▶ **Ne pas maltraiter le cordon. Ne jamais utiliser le cordon pour porter, tirer ou débrancher l'outil. Maintenir le cordon à l'écart de la chaleur, du lubrifiant, des arêtes ou des parties en mouvement.** Les cordons endommagés ou emmêlés augmentent le risque de choc électrique.
- ▶ **Lorsqu'on utilise un outil à l'extérieur, utiliser un prolongateur adapté à l'utilisation extérieure.** L'utilisation d'un cordon adapté à l'utilisation extérieure réduit le risque de choc électrique.
- ▶ **Si l'usage d'un outil dans un emplacement humide est inévitable, utiliser une alimentation protégée par un dispositif à courant différentiel résiduel (RCD).** L'usage d'un RCD réduit le risque de choc électrique.

12 | Français

Sécurité des personnes

- ▶ **Rester vigilant, regarder ce que vous êtes en train de faire et faire preuve de bon sens dans l'utilisation de l'outil. Ne pas utiliser un outil lorsque vous êtes fatigué ou sous l'emprise de drogues, d'alcool ou de médicaments.** Un moment d'inattention en cours d'utilisation d'un outil peut entraîner des blessures graves des personnes.
- ▶ **Utiliser un équipement de sécurité. Toujours porter une protection pour les yeux.** Les équipements de sécurité tels que les masques contre les poussières, les chaussures de sécurité antidérapantes, les casques ou les protections acoustiques utilisés pour les conditions appropriées réduiront les blessures des personnes.
- ▶ **Éviter tout démarrage intempestif. S'assurer que l'interrupteur est en position arrêt avant de brancher l'outil au secteur et/ou au bloc de batteries, de le ramasser ou de le porter.** Porter les outils en ayant le doigt sur l'interrupteur ou brancher des outils dont l'interrupteur est en position marche est source d'accidents.
- ▶ **Retirer toute clé de réglage avant de mettre l'outil en marche.** Une clé laissée fixée sur une partie tournante de l'outil peut donner lieu à des blessures de personnes.
- ▶ **Ne pas se précipiter. Garder une position et un équipement adaptés à tout moment.** Cela permet un meilleur contrôle de l'outil dans des situations inattendues.
- ▶ **S'habiller de manière adaptée. Ne pas porter de vêtements amples ou de bijoux. Garder les cheveux, les vêtements et les gants à distance des parties en mouvement.** Des vêtements amples, des bijoux ou les cheveux longs peuvent être pris dans des parties en mouvement.
- ▶ **Si des dispositifs sont fournis pour le raccordement d'équipements pour l'extraction et la récupération des poussières, s'assurer qu'ils sont connectés et correctement utilisés.** Utiliser des collecteurs de poussière peut réduire les risques dus aux poussières.

Utilisation et entretien de l'outil

- ▶ **Ne pas forcer l'outil. Utiliser l'outil adapté à votre application.** L'outil adapté réalisera mieux le travail et de manière plus sûre au régime pour lequel il a été construit.
- ▶ **Ne pas utiliser l'outil si l'interrupteur ne permet pas de passer de l'état de marche à arrêt et vice versa.** Tout outil qui ne peut pas être commandé par l'interrupteur est dangereux et il faut le faire réparer.
- ▶ **Débrancher la fiche de la source d'alimentation en courant et/ou le bloc de batteries de l'outil avant tout réglage, changement d'accessoires ou avant de ranger l'outil.** De telles mesures de sécurité préventives réduisent le risque de démarrage accidentel de l'outil.
- ▶ **Conserver les outils à l'arrêt hors de la portée des enfants et ne pas permettre à des personnes ne connaissant pas l'outil ou les présentes instructions de le faire fonctionner.** Les outils sont dangereux entre les mains d'utilisateurs novices.
- ▶ **Observer la maintenance de l'outil. Vérifier qu'il n'y a pas de mauvais alignement ou de blocage des parties mobiles, des pièces cassées ou toute autre condition pouvant affecter le fonctionnement de l'outil. En cas de dommages, faire réparer l'outil avant de l'utiliser.** De nombreux accidents sont dus à des outils mal entretenus.
- ▶ **Garder affûtés et propres les outils permettant de couper.** Des outils destinés à couper correctement entretenus avec des pièces coupantes tranchantes sont moins susceptibles de bloquer et sont plus faciles à contrôler.
- ▶ **Utiliser l'outil, les accessoires et les lames etc., conformément à ces instructions, en tenant compte des conditions de travail et du travail à réaliser.** L'utilisation de l'outil pour des opérations différentes de celles prévues pourrait donner lieu à des situations dangereuses.

Maintenance et entretien

- ▶ **Faire entretenir l'outil par un réparateur qualifié utilisant uniquement des pièces de rechange identiques.** Cela assurera que la sécurité de l'outil est maintenue.

Instructions de sécurité pour scies sauteuses

- ▶ **Tenir l'outil par les surfaces de préhension isolées, lors de la réalisation d'une opération au cours de laquelle l'organe de coupe peut entrer en contact avec un câblage non apparent ou son propre cordon d'alimentation.** Le contact avec un fil « sous tension » peut également mettre « sous tension » les parties métalliques exposées de l'outil électrique et provoquer un choc électrique sur l'opérateur.
- ▶ **Garder les mains à distance de la zone de sciage. Ne pas passer les mains sous la pièce à travailler.** Lors d'un contact avec la lame de scie, il y a risque de blessures.
- ▶ **N'approchez l'outil électroportatif de la pièce à travailler que quand l'appareil est en marche.** Sinon, il y a risque d'un contrecoup, au cas où l'outil se coincerait dans la pièce.
- ▶ **Veiller à ce que la plaque de base 5 repose bien sur le matériau lors du sciage.** Une lame de scie coincée peut casser ou entraîner un contrecoup.
- ▶ **Une fois l'opération terminée, arrêter l'outil électroportatif et ne retirer la lame de scie de sa ligne de coupe que lorsque celle-ci est complètement à l'arrêt.** Ainsi, un contrecoup est évité et l'outil électroportatif peut être retiré en toute sécurité.
- ▶ **N'utiliser que des lames de scie en parfait état.** Les lames de scie déformées ou émoussées peuvent se casser, avoir des effets négatifs sur la qualité de la coupe ou causer un contrecoup.
- ▶ **Une fois l'appareil arrêté, ne pas stopper la lame de scie en exerçant une pression latérale sur celle-ci.** La lame de scie peut être endommagée, se casser ou causer un contrecoup.
- ▶ **Utiliser des détecteurs appropriés afin de déceler des conduites cachées ou consulter les entreprises d'approvisionnement locales.** Un contact avec des lignes électriques peut provoquer un incendie ou un choc électrique. Un endommagement d'une conduite de gaz peut provoquer une explosion. La perforation d'une conduite d'eau provoque des dégâts matériels et peut provoquer un choc électrique.

- ▶ **Bloquer la pièce à travailler.** Une pièce à travailler serrée par des dispositifs de serrage appropriés ou dans un étau est fixée de manière plus sûre que tenue dans les mains.
- ▶ **Avant de déposer l'outil électroportatif, attendre que celui-ci soit complètement à l'arrêt.** L'outil risque de se coincer, ce qui entraînerait une perte de contrôle de l'outil électroportatif.

Description et performances du produit



Il est impératif de lire toutes les consignes de sécurité et toutes les instructions. Le non-respect des avertissements et instructions indiqués ci-après peut conduire à une électrocution, un incendie et/ou de graves blessures.

Utilisation conforme

L'appareil est conçu pour effectuer, sur un support rigide, des découpes et coupes dans le bois, les matières plastiques, le métal, le caoutchouc et les plaques en céramique. Il est approprié pour des coupes droites et curvilignes ainsi que des coupes biaisées jusqu'à 45°. Respecter les recommandations d'utilisation des lames de scie.

Éléments de l'appareil

La numérotation des éléments de l'appareil se réfère à la représentation de l'outil électroportatif sur la page graphique.

- 1 Bouton de blocage de l'interrupteur Marche/Arrêt
- 2 Molette de présélection de la vitesse
- 3 Interrupteur Marche/Arrêt
- 4 Clé mâle coudée pour vis à six pans creux
- 5 Plaque de base
- 6 Levier de sélection du mouvement pendulaire
- 7 Guide-lame à rouleau
- 8 lame de scie*
- 9 Protège-mains
- 10 Poignée (surface de préhension isolante)
- 11 Porte-outil
- 12 Levier SDS pour déverrouillage de la lame de scie
- 13 Pare-éclats
- 14 Echelle de graduation des angles de coupes biaisées
- 15 Vis

*Les accessoires décrits ou illustrés ne sont pas tous compris dans la fourniture. Vous trouverez les accessoires complets dans notre programme d'accessoires.

Caractéristiques techniques

Scie sauteuse	GST 8000 E	
N° d'article		3 601 E8H 0..
Puissance nominale absorbée	W	710
Nombre de courses à vide n_0	tr/min	800 – 3100
Amplitude de course	mm	20
Profondeur de coupe max.		
– dans le bois	mm	80
– dans l'aluminium	mm	20
– dans l'acier (non-allié)	mm	10
Angle de coupe biaisé (gauche/droite) max.	°	45
Poids suivant EPTA-Procédure 01:2014	kg	2,5
Classe de protection		□/II

Ces indications sont valables pour une tension nominale de [U] 230 V.
Ces indications peuvent varier pour des tensions plus basses ainsi que pour des versions spécifiques à certains pays.

Montage

- ▶ **Avant d'effectuer des travaux sur l'outil électroportatif, retirez la fiche de la prise de courant.**

Montage/changement de la lame de scie

- ▶ **Portez toujours des gants de protection pour monter la lame de scie.** Lors d'un contact avec la lame de scie, il y a risque de blessures.

Choix de la lame de scie

Vous trouverez un tableau des lames de scie recommandées à la fin de ces instructions d'utilisation. Ne montez que des lames de scie avec un emmanchement en T (tige T). La lame de scie ne devrait pas être plus longue que nécessaire pour la coupe prévue.

Pour le sciage de courbes serrées, utilisez des lames de scie fines à chantourner.

Montage de la lame de scie (voir figure A1)

Introduisez la lame de scie **8** jusqu'au dé clic (les dents dans le sens de la coupe) dans le porte-outil **11**. Le levier SDS **12** se met automatiquement vers l'arrière et la lame de scie est ainsi verrouillée. Ne poussez pas le levier **12** vers l'arrière avec la main, sinon l'outil électroportatif pourrait être endommagé.

Lors du montage de la lame de scie, veillez à ce que le dos de la lame se positionne dans la rainure du guide-lame à rouleau **7**.

- ▶ **Contrôlez si la lame de scie est bien verrouillée.** Une lame de scie qui n'est pas correctement verrouillée peut se décrocher et risque de vous blesser.

Ejection de la lame de scie (voir figure A2)

- ▶ **Lors de l'éjection de la lame de scie, maintenez toujours l'outil électroportatif de sorte qu'aucune personne ni animal puisse être blessé par la lame éjectée.**

Tourner le levier SDS **12** vers l'avant vers le protège-mains **9**. La lame de scie est desserrée et éjectée.

14 | Français

Pare-éclats (voir figure B)

Le pare-éclats **13** (accessoire) peut éviter que la surface ne se détache par éclats lors du sciage de bois. Le pare-éclats ne peut être utilisé que pour certains types de lames de scie et pour un angle de coupe de 0°. Lors d'un sciage avec le pare-éclats, la plaque de base **5** ne doit pas être ravancée pour un sciage près du bord.

Poussez le pare-éclats **13** dans la plaque de base **5** en y accédant par le bas.

Aspiration de poussières/de copeaux

- ▶ Les poussières de matériaux tels que peintures contenant du plomb, certains bois, minéraux ou métaux, peuvent être nuisibles à la santé. Entrer en contact ou aspirer les poussières peut entraîner des réactions allergiques et/ou des maladies respiratoires auprès de l'utilisateur ou de personnes se trouvant à proximité.

Certaines poussières telles que les poussières de chêne ou de hêtre sont considérées comme cancérigènes, surtout en association avec des additifs pour le traitement du bois (chromate, lazure). Les matériaux contenant de l'amiante ne doivent être travaillés que par des personnes qualifiées.

- Veillez à bien aérer la zone de travail.
- Il est recommandé de porter un masque respiratoire avec un niveau de filtration de classe P2.

Respectez les règlements spécifiques aux matériaux à traiter en vigueur dans votre pays.

- ▶ **Évitez toute accumulation de poussières à l'emplacement de travail.** Les poussières peuvent facilement s'enflammer.

Mise en marche

Modes opératoires

- ▶ **Avant d'effectuer des travaux sur l'outil électroportatif, retirez la fiche de la prise de courant.**

Réglage du mouvement pendulaire

Le mouvement pendulaire réglable sur quatre positions permet d'adapter parfaitement l'amplitude de la lame, l'avance de l'outil de coupe ainsi que la qualité du travail sur les matériaux à travailler.

Le levier de sélection **6** permet de sélectionner l'amplitude du mouvement pendulaire même durant l'utilisation de l'appareil.

Position 0	sans mouvement pendulaire
Position I	petit mouvement pendulaire
Position II	mouvement pendulaire moyen
Position III	mouvement pendulaire important

L'amplitude optimale du mouvement pendulaire pour chaque utilisation peut être déterminée par des essais pratiques. Les recommandations suivantes s'appliquent :

- Plus le tracé doit être fin et précis, plus l'amplitude du mouvement pendulaire doit être réduite ou, le cas échéant, le mouvement pendulaire doit être désactivé.
- Pour travailler des matériaux fins (par ex. des tôles), n'utilisez pas de mouvement pendulaire.

- Pour le travail de matériaux durs (par ex. l'acier), utilisez le mouvement pendulaire avec une petite amplitude.
- Dans des matériaux tendres et dans les coupes de bois dans le sens des fibres, il est possible de travailler en appliquant le mouvement pendulaire avec une amplitude maximale.

Réglage des angles de coupe biaisés (voir figure C)

Desserrez la vis **15** et faites glisser légèrement la plaque de base **5** en direction du câble d'alimentation.

Pour le réglage des angles de coupes biaisés avec précision, la plaque de base dispose à gauche et à droite de crans pré-réglés à 0° et 45°. Basculez la plaque de base **5** suivant l'échelle de graduation **14** dans la position souhaitée. D'autres angles de coupes biaisés peuvent être sélectionnés à l'aide d'un rapporteur.

Repoussez ensuite la plaque de base **5** à fond en direction de la lame de scie **8**.

Resserrez la vis **15**.

Le pare-éclats **13** ne peut pas être utilisé pour les coupes biaisés.

Avancement de la plaque de base (voir figure C)

Pour un sciage près du bord, il est possible de reculer la plaque de base **5**.

Desserrez la vis **15** et faites glisser la plaque de base **5** jusqu'en butée en direction du câble d'alimentation.

Resserrez la vis **15**.

La découpe avec plaque de base décalée **5** n'est possible qu'avec un angle d'onglet de 0°. Le pare-éclats **13** ne doit pas être utilisé.

Mise en service

- ▶ **Tenez compte de la tension du réseau ! La tension de la source de courant doit correspondre aux indications se trouvant sur la plaque signalétique de l'outil électroportatif. Les outils électroportatifs marqués 230 V peuvent également fonctionner sur 220 V.**

Mise en Marche/Arrêt

Pour **mettre en marche** l'outil électroportatif, appuyez sur l'interrupteur Marche/Arrêt **3**.

Pour **bloquer** l'interrupteur Marche/Arrêt **3** le maintenir appuyé et pousser le blocage **1** vers la droite ou la gauche.

Pour **arrêter** l'outil électroportatif, relâchez l'interrupteur Marche/Arrêt **3**. Quand l'interrupteur Marche/Arrêt **3** est bloqué, appuyez d'abord sur l'interrupteur Marche/Arrêt, et relâchez-le ensuite.

Contrôle/présélection de la vitesse de coupe

La pression plus ou moins importante exercée sur l'interrupteur Marche/Arrêt **3** permet de régler en continu le nombre de courses de l'outil électroportatif en marche.

Une légère pression sur l'interrupteur Marche/Arrêt **3** entraîne un nombre de course réduit. Plus la pression sur l'interrupteur augmente, plus le nombre de courses est élevé.

Quand l'interrupteur Marche/Arrêt **3** est bloqué, il n'est pas possible de réduire la vitesse de l'outil.

A l'aide de la molette présélection de vitesse **2**, il est possible de présélectionner le nombre de courses et de modifier celui-ci au cours du fonctionnement de l'outil.

Le nombre de courses dépend du matériau à travailler et des conditions de travail et peut être déterminé par des essais pratiques.

Il est recommandé de réduire la vitesse quand la lame de scie est placée au contact de la pièce à travailler ainsi que pour découper des matières plastiques ou de l'aluminium.

En cas de travaux assez longs avec une vitesse réduite, l'outil électroportatif risque de s'échauffer fortement. Retirez la lame de scie et faites tourner l'outil électroportatif à sa vitesse maximale pendant une durée de 3 minutes environ afin de laisser le moteur se ventiler et refroidir.

Instructions d'utilisation

- ▶ **Avant d'effectuer des travaux sur l'outil électroportatif, retirez la fiche de la prise de courant.**
- ▶ **Pour travailler de petites pièces ou des pièces de faible épaisseur, utilisez un support stable ou une table de sciage (accessoire).**

Avant de scier dans le bois, les panneaux d'agglomérés, les matériaux de construction etc., vérifiez si ceux-ci contiennent des corps étrangers tels que clous ou vis etc., et, le cas échéant, retirez-les.

Protège-mains

Le protège-mains **9** raccordé au carter d'engrenage empêche tout contact accidentel avec la lame de scie lors de la manipulation et ne doit pas être retiré.

Coupes en plongée (voir figure D)

- ▶ **Le procédé de coupes en plongée ne peut être appliqué que dans des matériaux tendres tels que le bois, les plaques de plâtre, etc. ! N'effectuez pas de coupes en plongée dans des matériaux métalliques !**

N'utilisez pour les coupes en plongée que des lames de scie courtes. Les coupes en plongée ne sont possibles qu'avec un angle de coupe de 0°.

Positionnez l'outil électroportatif avec le bord avant de la plaque de base **5** sur la pièce à travailler sans que la lame de scie **8** ne vienne en contact avec la pièce, et mettez-le en marche. Si l'outil électroportatif dispose d'un variateur de vitesse, sélectionnez la vitesse maximale. Avec l'outil électroportatif exercez une pression contre la pièce à travailler et plongez lentement la lame de scie dans la pièce.

Dès que la plaque de base **5** repose de toute sa surface sur la pièce à travailler, continuez à scier le long du tracé souhaité.

Liquides de refroidissement/lubrifiant

Lors du sciage de métal, appliquez un lubrifiant ou un liquide de refroidissement le long du tracé de coupe.

Entretien et Service Après-Vente

Nettoyage et entretien

- ▶ **Avant d'effectuer des travaux sur l'outil électroportatif, retirez la fiche de la prise de courant.**
- ▶ **Veillez à ce que l'outil électroportatif ainsi que les ouïes de ventilation soient toujours propres afin d'obtenir un travail impeccable et sûr.**

Si le remplacement du câble d'alimentation est nécessaire, ceci ne doit être effectué que par Bosch ou une station de Service Après-Vente agréée pour outillage Bosch afin d'éviter des dangers de sécurité.

Nettoyez régulièrement le porte-lame. Pour ce faire, retirez la lame de scie de l'outil électroportatif et donnez de légers coups sur l'outil électroportatif sur une surface plane pour décoller les poussières.

Un fort encrassement de l'outil électroportatif risque d'entraver le bon fonctionnement de celui-ci. Pour cette raison, ne sciez pas les matériaux produisant beaucoup de poussières par dessous ou dans une position en hauteur.

- ▶ **Dans la mesure du possible, utilisez toujours un dispositif d'aspiration quand les conditions de travail sont extrêmes. Soufflez souvent de l'air comprimé au travers des fentes de ventilation et placez un disjoncteur différentiel (PRCD) en amont.** Lors du travail des métaux, il est possible que des poussières métalliques conductrices se déposent à l'intérieur de l'outil. La double isolation de l'outil électrique peut ainsi en être endommagée.

Graissez de temps en temps le guide-lame à rouleau **7** avec une goutte d'huile.

Contrôlez le guide-lame à rouleau **7** régulièrement. S'il est usé, il doit être remplacé par une station de Service Après-Vente pour outillage Bosch agréée.

Service Après-Vente et Assistance

Notre Service Après-Vente répond à vos questions concernant la réparation et l'entretien de votre produit et les pièces de rechange. Vous trouverez des vues éclatées ainsi que des informations concernant les pièces de rechange également sous :

www.bosch-pt.com

Les conseillers techniques et assistants Bosch sont à votre disposition pour répondre à vos questions concernant nos produits et leurs accessoires.

Pour toute demande de renseignement ou commande de pièces de rechange, précisez-nous impérativement le numéro d'article à dix chiffres indiqué sur la plaque signalétique du produit.

Algeria

Siestal
Zone Industrielle lhaddaden
06000 Bejaia
Tel. : + 213 (0) 982 400 991/2
Fax : + 213 (0) 3 420 1569
E-Mail : sav@siestal-dz.com

16 | Português

Morocco

Robert Bosch Morocco SARL
53, Rue Lieutenant Mahroud Mohamed
20300 Casablanca
E-Mail : sav.outillage@ma.bosch.com

Tunisia

Robert Bosch Tunisie SARL
7 Rue Ibn Battouta Z. I. Saint Gobain
Mégrine Riadh
2014 Ben Arous
Tél. : + 216 71 427 496/879
Fax : + 216 71 428 621
E-Mail : sav.outillage@tn.bosch.com

Côte d'Ivoire

Rimco
ZONE 3, 9 RUE DU CANAL
01 BP V230, Abidjan 01
Tel. : +225 21 25 93 38

Sénégal

Bernabé
Km 2,5 – Bd du Centenaire de la Commune de Dakar
B.P. 2098 DAKAR
Tel. : +221 33 849 01 01
Fax : +221 33 823 34 20

Élimination des déchets

Les outils électroportatifs, ainsi que leurs accessoires et emballages, doivent pouvoir suivre chacun une voie de recyclage appropriée.



Ne jetez pas les outils électroportatifs avec les ordures ménagères !

Sous réserve de modifications.

**Português****Indicações de segurança****Indicações gerais de advertência para ferramentas elétricas**

⚠ ATENÇÃO Devem ser lidas todas as indicações de advertência e todas as instruções.

O desrespeito das advertências e instruções apresentadas abaixo pode causar choque elétrico, incêndio e/ou graves lesões.

Guarde bem todas as advertências e instruções para futura referência.

O termo “Ferramenta elétrica” utilizado a seguir nas indicações de advertência, refere-se a ferramentas elétricas operadas com corrente de rede (com cabo de rede) e a ferramentas elétricas operadas com acumulador (sem cabo de rede).

Segurança da área de trabalho

- ▶ **Mantenha a sua área de trabalho sempre limpa e bem iluminada.** Desordem ou áreas de trabalho insuficientemente iluminadas podem levar a acidentes.
- ▶ **Não trabalhar com a ferramenta elétrica em áreas com risco de explosão, nas quais se encontrem líquidos, gases ou pós inflamáveis.** Ferramentas elétricas produzem faíscas, que podem inflamar pós ou vapores.
- ▶ **Manter crianças e outras pessoas afastadas da ferramenta elétrica durante a utilização.** No caso de distração é possível que perca o controlo sobre o aparelho.

Segurança elétrica

- ▶ **A ficha de conexão da ferramenta elétrica deve caber na tomada. A ficha não deve ser modificada de maneira alguma. Não utilizar uma ficha de adaptação junto com ferramentas elétricas protegidas por ligação à terra.** Fichas não modificadas e tomadas apropriadas reduzem o risco de um choque elétrico.
- ▶ **Evitar que o corpo possa entrar em contacto com superfícies ligadas à terra, como tubos, aquecimentos, fogões e frigoríficos.** Há um risco elevado devido a choque elétrico, se o corpo estiver ligado à terra.
- ▶ **Manter o aparelho afastado de chuva ou humidade.** A infiltração de água numa ferramenta elétrica aumenta o risco de choque elétrico.
- ▶ **Não deverá utilizar o cabo para outras finalidades. Jamais utilizar o cabo para transportar a ferramenta elétrica, para pendurá-la, nem para puxar a ficha da tomada. Manter o cabo afastado de calor, óleo, cantos afiados ou partes do aparelho em movimento.** Cabos danificados ou emaranhados aumentam o risco de um choque elétrico.
- ▶ **Se trabalhar com uma ferramenta elétrica ao ar livre, só deverá utilizar cabos de extensão apropriados para áreas exteriores.** A utilização de um cabo de extensão apropriado para áreas exteriores reduz o risco de um choque elétrico.
- ▶ **Se não for possível evitar o funcionamento da ferramenta elétrica em áreas húmidas, deverá ser utilizado um disjuntor de corrente de avaria.** A utilização de um disjuntor de corrente de avaria reduz o risco de um choque elétrico.

Segurança de pessoas

- ▶ **Esteja atento, observe o que está a fazer e tenha prudência ao trabalhar com a ferramenta elétrica. Não utilizar uma ferramenta elétrica quando estiver fatigado ou sob a influência de drogas, álcool ou medicamentos.** Um momento de descuido ao utilizar a ferramenta elétrica, pode levar a lesões graves.

- ▶ **Utilizar equipamento de proteção pessoal e sempre óculos de proteção.** A utilização de equipamento de proteção pessoal, como máscara de proteção contra pó, sapatos de segurança antiderrapantes, capacete de segurança ou proteção auricular, de acordo com o tipo e aplicação da ferramenta elétrica, reduz o risco de lesões.
- ▶ **Evitar uma colocação em funcionamento involuntária. Assegure-se de que a ferramenta elétrica esteja desligada, antes de conectá-la à alimentação de rede e/ou ao acumulador, antes de levantá-la ou de transportá-la.** Se tiver o dedo no interruptor ao transportar a ferramenta elétrica ou se o aparelho for conectado à alimentação de rede enquanto estiver ligado, poderão ocorrer acidentes.
- ▶ **Remover ferramentas de ajuste ou chaves de boca antes de ligar a ferramenta elétrica.** Uma ferramenta ou chave que se encontre numa parte do aparelho em movimento pode levar a lesões.
- ▶ **Evite uma posição anormal. Mantenha uma posição firme e mantenha sempre o equilíbrio.** Desta forma é mais fácil controlar a ferramenta elétrica em situações inesperadas.
- ▶ **Usar roupa apropriada. Não usar roupa larga nem joias. Mantenha os cabelos, roupas e luvas afastadas de partes em movimento.** Roupas frouxas, cabelos longos ou joias podem ser agarrados por peças em movimento.
- ▶ **Se for possível montar dispositivos de aspiração ou de recolha, assegure-se de que estejam conectados e utilizados corretamente.** A utilização de uma aspiração de pó pode reduzir o perigo devido ao pó.

Utilização e manuseio cuidadoso de ferramentas elétricas

- ▶ **Não sobrecarregue o aparelho. Utilize a ferramenta elétrica apropriada para o seu trabalho.** É melhor e mais seguro trabalhar com a ferramenta elétrica apropriada na área de potência indicada.
- ▶ **Não utilizar uma ferramenta elétrica com um interruptor defeituoso.** Uma ferramenta elétrica que não pode mais ser ligada nem desligada, é perigosa e deve ser reparada.
- ▶ **Puxar a ficha da tomada e/ou remover o acumulador antes de executar ajustes no aparelho, de substituir acessórios ou de guardar o aparelho.** Esta medida de segurança evita o arranque involuntário da ferramenta elétrica.
- ▶ **Guardar ferramentas elétricas não utilizadas fora do alcance de crianças. Não permita que pessoas que não estejam familiarizadas com o aparelho ou que não tenham lido estas instruções, utilizem o aparelho.** Ferramentas elétricas são perigosas se forem utilizadas por pessoas inesperientes.
- ▶ **Tratar a ferramenta elétrica com cuidado. Controlar se as partes móveis do aparelho funcionam perfeitamente e não emperram, e se há peças quebradas ou danificadas que possam prejudicar o funcionamento da ferramenta elétrica. Permitir que peças danificadas sejam reparadas antes da utilização.** Muitos acidentes têm como causa, a manutenção insuficiente de ferramentas elétricas.
- ▶ **Manter as ferramentas de corte afiadas e limpas.** Ferramentas de corte cuidadosamente tratadas e com cantos de corte afiados emperram com menos frequência e podem ser conduzidas com maior facilidade.
- ▶ **Utilizar a ferramenta elétrica, acessórios, ferramentas de aplicação, etc. conforme estas instruções. Considerar as condições de trabalho e a tarefa a ser executada.** A utilização de ferramentas elétricas para outras tarefas a não ser as aplicações previstas, pode levar a situações perigosas.

Serviço

- ▶ **Só permita que o seu aparelho seja reparado por pessoal especializado e qualificado e só com peças de reposição originais.** Desta forma é assegurado o funcionamento seguro do aparelho.

Indicações de segurança para serras verticais

- ▶ **Ao executar trabalhos durante os quais podem ser atingidos cabos elétricos ou o próprio cabo de rede só deverá segurar o aparelho pelas superfícies de punho isoladas.** O contacto com um cabo sob tensão também pode colocar sob tensão as peças metálicas do aparelho e levar a um choque elétrico.
- ▶ **Manter as mãos afastadas da área de serrar. Não tocar na peça a ser trabalhada pelo lado de baixo.** Há perigo de lesões no caso de contacto com a lâmina de serra.
- ▶ **Só conduzir a ferramenta elétrica no sentido da peça a ser trabalhada quando estiver ligada.** Caso contrário há risco de um contragolpe, se a ferramenta de aplicação se engancha na peça a ser trabalhada.
- ▶ **Observe que a placa de base 5 sempre esteja firmemente apoiada enquanto serrar.** Uma lâmina de serra emperrada pode quebrar ou provocar um contragolpe.
- ▶ **Após encerrado o processo de trabalho, deverá desligar a ferramenta elétrica e apenas puxar a lâmina de serra do corte, quando a ferramenta elétrica estiver parada.** Desta forma são evitados contragolpes e é possível apoiar a ferramenta elétrica com segurança.
- ▶ **Só utilizar lâminas de serra que estejam em perfeito estado e que não apresentem danos.** Lâminas de serrar tortas e não suficiente afiadas podem quebrar, influenciar negativamente o corte ou causar um contragolpe.
- ▶ **Não frenar a lâmina de serra através de pressão lateral após desligar o aparelho.** A lâmina de serra pode ser danificada, ser quebrada ou causar um contragolpe.
- ▶ **Utilizar detetores apropriados, para encontrar cabos escondidos, ou consulte a companhia elétrica local.** O contacto com cabos elétricos pode provocar fogo e choques elétricos. Danos em tubos de gás podem levar à explosão. A penetração num cano de água causa danos materiais ou pode provocar um choque elétrico.
- ▶ **Fixar a peça a ser trabalhada.** Uma peça a ser trabalhada fixa com dispositivos de aperto ou com torno de bancada está mais firme do que segurada com a mão.
- ▶ **Espere a ferramenta elétrica parar completamente, antes de depositá-la.** A ferramenta de aplicação pode emperrar e levar à perda de controlo sobre a ferramenta elétrica.

Descrição do produto e da potência



Devem ser lidas todas as indicações de advertência e todas as instruções. O desrespeito das advertências e instruções apresentadas abaixo pode causar choque elétrico, incêndio e/ou graves lesões.

Utilização conforme as disposições

O aparelho é destinado para realizar sobre uma base firme, cortes e recortes em madeira, plástico, metal, placas de cerâmica e borracha. Ele é apropriado para cortes retos e curvados com um ângulo de chanfradura de até 45°. Observar as recomendações da lâmina de serra.

Componentes ilustrados

A numeração dos componentes ilustrados refere-se à apresentação da ferramenta elétrica na página de esquemas.

- 1 Travamento do interruptor de ligar-desligar
- 2 Roda de ajuste para pré-seleção do número de cursos
- 3 Interruptor de ligar-desligar
- 4 Chave de sextavado interno
- 5 Placa de base
- 6 Alavanca para ajuste do movimento pendular
- 7 Rolo de guia
- 8 Lâmina de serra*
- 9 Proteção contra contacto
- 10 Punho (superfície isolada)
- 11 Tirante
- 12 Alavanca SDS para destravamento da lâmina de serra
- 13 Proteção contra formação de aparas
- 14 Escala de ângulo de chanfradura
- 15 Parafuso

*Acessórios apresentados ou descritos não pertencem ao volume de fornecimento padrão. Todos os acessórios encontram-se no nosso programa de acessórios.

Dados técnicos

Serrote de ponta		GST 8000 E
N.º do produto		3 601 E8H 0..
Potência nominal consumida	W	710
N.º de cursos em vazio n_0	min ⁻¹	800 – 3 100
Curso	mm	20
máx. profundidade de corte		
– em madeira	mm	80
– em alumínio	mm	20
– em aço (sem liga)	mm	10
máx. ângulo de corte (esquerda/direita)	°	45
Peso conforme EPTA-Procedure 01:2014	kg	2,5
Classe de proteção		□/II

As indicações valem para tensões nominais [U] de 230 V. Estas indicações podem variar dependendo de tensões inferiores e dos modelos específicos dos países.

Montagem

► **Antes de todos trabalhos na ferramenta elétrica deverá puxar a ficha de rede da tomada.**

Introduzir/substituir a lâmina de serra

► **Para a montagem da lâmina de serra é necessário usar luvas de proteção.** Há perigo de lesões no caso de um contacto com a lâmina de serra.

Selecionar a lâmina de serra

No final desta instrução de serviço encontra-se uma vista geral das lâminas de serra recomendadas. Só colocar lâminas de serra com haste de um ressalto (haste T). A lâmina de serra não deveria ser mais comprida do que necessário para o corte previsto.

Para serrar curvas apertadas devem ser utilizadas lâminas de serra estreitas.

Introduzir a lâmina de serra (veja figura A1)

Empurrar a lâmina de serra **8** com os dentes no sentido do corte, até engatar no tirante **11**. A alavanca SDS **12** salta automaticamente para trás, e a lâmina de serra é travada. Não pressionar a alavanca **12** para trás com a mão, pois isto poderá danificar a ferramenta elétrica.

Ao introduzir a lâmina de serra, deverá observar que o lado posterior da lâmina de serra esteja na ranhura do rolo de guia **7**.

► **Controlar a posição firme da lâmina de serra.** Uma lâmina de serra solta pode cair e feri-lo.

Expulsar a lâmina de serra (veja figura A2)

► **Segurar a ferramenta elétrica ao expulsar a lâmina de serra, de modo que nenhuma pessoa ou animal seja ferido devido à lâmina de serra expulsa.**

Girar a alavanca SDS **12** para frente, na direção da proteção contra contacto **9**. A lâmina de serra é solta e expulsa.

Proteção contra formação de aparas (veja figura B)

A proteção contra formação de aparas **13** (acessório) pode evitar que ao serrar a superfície de madeira apresente lascas. A proteção contra formação de aparas só pode ser utilizada para certos tipos de lâminas de serra e apenas num ângulo de corte de 0°. A placa de base **5** não deve ser deslocada para trás para serrar rente ao canto ao serrar com a proteção contra formação de aparas.

Pressionar a proteção contra formação de aparas **13** por baixo na placa de base **5**.

Aspiração de pó/de aparas

► Pós de materiais como por exemplo, tintas que contém chumbo, alguns tipos de madeira, minerais e metais, podem ser nocivos à saúde. O contacto ou a inalação dos pós pode provocar reações alérgicas e/ou doenças nas vias respiratórias do utilizador ou das pessoas que se encontram por perto.

Certos pós, como por exemplo pó de carvalho e faia são considerados como sendo cancerígenos, especialmente quando juntos com substâncias para o tratamento de madeiras (cromato, preservadores de madeira). Material que contém asbesto só deve ser processado por pessoal especializado.

- Assegurar uma boa ventilação do local de trabalho.
- É recomendável usar uma máscara de proteção respiratória com filtro da classe P2.

Observe as diretivas para os materiais a serem trabalhados, vigentes no seu país.

- ▶ **Evite o acúmulo de pó no local de trabalho.** Pós podem entrar levemente em ignição.

Funcionamento

Tipos de funcionamento

- ▶ **Antes de todos trabalhos na ferramenta elétrica deverá puxar a ficha de rede da tomada.**

Ajustar o movimento pendular

O movimento pendular ajustável em quatro níveis possibilita uma adaptação otimizada da velocidade de corte, da potência de corte e do resultado de corte ao material a ser trabalhado. Com a alavanca de ajuste **6** é possível ajustar o movimento pendular necessário durante o funcionamento.

Nível 0	nenhum movimento pendular
Nível I	pequeno movimento pendular
Nível II	médio movimento pendular
Nível III	grande movimento pendular

O nível otimizado do movimento pendular para cada aplicação pode ser averiguado através de um ensaio prático. São válidas as seguintes recomendações:

- Quanto mais fino ou mais perfeito o lado de corte, tanto menor o movimento pendular a ser selecionado; eventualmente o movimento pendular deverá ser completamente desligado.
- Para trabalhar em materiais finos (p. ex. chapas metálicas) deverá desligar o movimento pendular.
- Trabalhar em materiais duros (p. ex. aço) com pequeno movimento pendular.
- Em materiais macios, e para serrar madeira no sentido da fibra, é possível trabalhar com máximo movimento pendular.

Ajustar ao ângulo de chanfradura (veja figura C)

Solte o parafuso **15** e empurre a placa base **5** ligeiramente no sentido do cabo de corrente elétrica.

Para ajustar ângulos de chanfradura exatos, encontram-se à direita e à esquerda da placa de base pontos de engate em 0° e 45°. Deslocar a placa de base **5** de acordo com a escala **14**, para a posição desejada. Outros ângulos de chanfradura podem ser ajustados com auxílio de um goniómetro.

Empurrar em seguida a placa de base **5** completamente no sentido da lâmina de serra **8**.

Reapertar o parafuso **15**.

A proteção contra formação de aparas **13** não pode ser aplicada para cortes de chanfradura.

Deslocar a placa de base (veja figura C)

Para serrar próximo ao canto é possível deslocar a placa de base **5** para trás.

Solte o parafuso **15** e empurre a placa base **5** até ao batente no sentido do cabo de corrente elétrica.

Reapertar o parafuso **15**.

Serrar com a placa base **5** deslocada só é possível com um ângulo de inclinação de 0°. Não pode ser usada a proteção contra o arranque de aparas **13**.

Colocação em funcionamento

- ▶ **Observar a tensão de rede! A tensão da fonte de corrente deve coincidir com a indicada na chapa de identificação da ferramenta elétrica. Ferramentas elétricas marcadas para 230 V também podem ser operadas com 220 V.**

Ligar e desligar

Para **ligar** a ferramenta elétrica, deverá pressionar o interruptor de ligar-desligar **3**.

Para **travar** o interruptor de ligar-desligar **3** deverá mantê-lo pressionado e empurrar o travamento **1** para a direita ou para a esquerda.

Para **desligar** a ferramenta elétrica, deverá soltar o interruptor de ligar-desligar **3**. Com o interruptor de ligar-desligar **3** travado deverá pressioná-lo primeiramente e soltá-lo em seguida.

Comando/pré-seleção do n.º de cursos

Aumentando ou reduzindo a pressão sobre o interruptor de ligar-desligar **3** é possível comandar sem escalonamento o n.º de cursos da ferramenta elétrica ligada.

Uma leve pressão sobre o interruptor de ligar-desligar **3** proporciona um número de cursos baixo. Aumentando a pressão, é aumentado o número de cursos.

Com o interruptor de ligar-desligar **3** travado não é possível reduzir o n.º de cursos.

Com a roda de ajuste para pré-seleção do n.º de cursos **2** é possível pré-selecionar o n.º de cursos e alterar o n.º de cursos durante o funcionamento.

O n.º de cursos necessário depende do material e das condições de trabalho e pode ser verificado através de ensaios práticos.

Uma redução do n.º de cursos é recomendada ao colocar a lâmina de serra sobre a peça a ser trabalhada, assim como ao serrar plásticos e alumínio.

Durante prolongados trabalhos com um n.º de cursos reduzido, é possível que a ferramenta elétrica seja fortemente aquecida. Expulsar a lâmina de serra e permitir que a ferramenta elétrica ainda funcione durante aprox. 3 min com máximo n.º de cursos para que possa arrefecer.

Indicações de trabalho

- ▶ **Antes de todos trabalhos na ferramenta elétrica deverá puxar a ficha de rede da tomada.**
- ▶ **Para processar peças a serem trabalhadas pequenas ou finas, deverá sempre ser utilizada uma base firme ou uma mesa de serrar (acessório).**

20 | Português

Antes de serrar em madeira, placas de aglomerado de madeira, materiais de construção, etc., deverá certificar-se de que foram removidos todos os corpos estranhos, como por exemplo pregos e parafusos.

Proteção contra contacto

A proteção contra contacto **9** aplicada na carcaça evita um contacto accidental da lâmina de serra durante o processo de trabalho e não deve ser removida.

Serrar por imersão (veja figura D)

► **No processo de serrar por imersão só devem ser processados materiais macios como madeira, gesso encartonado! Não trabalhar com processo de serrar por imersão em materiais metálicos!**

Só utilizar lâminas de serra curtas ao serrar por imersão. Serrar por imersão só é possível com um ângulo de chanfradura de 0°.

Apoiar a ferramenta elétrica com o lado dianteiro da placa de base **5** sobre a peça a ser trabalhada, sem que a lâmina de serra **8** toque na peça a ser trabalhada, e então ligá-la. Para ferramentas elétricas com comando de n.º de cursos, deverá selecionar o máximo n.º de cursos. Pressionar a ferramenta elétrica firmemente contra a peça a ser trabalhada e deixar a lâmina de serra mergulhar lentamente na peça a ser trabalhada.

Logo que a placa de base **5** estiver apoiada com toda a superfície sobre a peça a ser trabalhada, deverá continuar a serrar ao longo da linha de corte desejada.

Meio de arrefecimento e de lubrificação

Ao serrar metal, deveria aplicar um meio de lubrificação ou de arrefecimento ao longo da linha de corte, devido ao aquecimento do material.

Manutenção e serviço

Manutenção e limpeza

- **Antes de todos trabalhos na ferramenta elétrica deverá puxar a ficha de rede da tomada.**
- **Manter a ferramenta elétrica e as aberturas de ventilação sempre limpas, para trabalhar bem e de forma segura.**

Se for necessário substituir o cabo de conexão, isto deverá ser realizado pela Bosch ou por uma oficina de serviço pós-venda autorizada para todas as ferramentas elétricas Bosch para evitar riscos de segurança.

Limpar regularmente a admissão da lâmina de serra. Para isto deverá retirar a lâmina de serra da ferramenta elétrica e dar umas leves pancadinhas na ferramenta elétrica numa superfície plana.

Uma forte sujidade da ferramenta elétrica pode levar a falhas de funcionamento. Portanto não deverá serrar materiais que produzam muito pó, por debaixo nem serrá-los por cima da cabeça.

► **Em condições de trabalho extremas deverá, se possível, usar sempre um equipamento de aspiração. Soprар frequentemente as aberturas de ventilação e interconectar um disjuntor de corrente de avaria (PRCD).** Durante o processamento de metais é possível que se deposite pó condutivo no interior da ferramenta elétrica. Isto pode prejudicar o isolamento de proteção da ferramenta elétrica.

Lubrificar o rolo de guia **7** de quando em quando com uma gota de óleo.

Controlar o rolo de guia **7** regularmente. Se apresentar desgastes, deverá ser substituído por um serviço pós-venda autorizado Bosch.

Serviço pós-venda e consultoria de aplicação

O serviço pós-venda responde às suas perguntas a respeito de serviços de reparação e de manutenção do seu produto, assim como das peças sobressalentes. Desenhos explodidos e informações sobre peças sobressalentes encontram-se em: **www.bosch-pt.com**

A nossa equipa de consultoria de aplicação Bosch esclarece com prazer todas as suas dúvidas a respeito da compra, aplicação e ajuste dos produtos e acessórios.

Indique para todas as questões e encomendas de peças sobressalentes a referência de 10 dígitos de acordo com a placa de características do produto.

Brasil

Robert Bosch Ltda. – Divisão de Ferramentas Elétricas
Caixa postal 1195 – CEP: 13065-900
Campinas – SP
Tel.: 0800 7045 446
www.bosch.com.br/contato

Angola

InvestGlobal
Parque Logístico
Estrada de Viana Km 12
Luanda
Tel. : +212 948 513 580
E-Mail: helderribeiro@investglobal-ang.com

Eliminação

Ferramentas elétricas, acessórios e embalagens devem ser enviados a uma reciclagem ecológica de matérias-primas.



Não deitar ferramentas elétricas no lixo doméstico!

Sob reserva de alterações.

中文

安全规章

电动工具通用安全警告

警告！ 阅读所有警告和所有说明！不遵照以下警告和说明会导致电击、着火和/或严重伤害。

保存所有警告和说明书以备查阅。

在所有下列的警告中术语“电动工具”指市电驱动（有线）电动工具或电池驱动（无线）电动工具。

工作场地的安全

- ▶ 保持工作场地清洁和明亮。混乱和黑暗的场地会引发事故。
- ▶ 不要在易爆环境，如有易燃液体、气体或粉尘的环境下操作电动工具。电动工具产生的火花会点燃粉尘或气体。
- ▶ 让儿童和旁观者离开后操作电动工具。注意力不集中会使操作者失去对工具的控制。

电气安全

- ▶ 电动工具插头必须与插座相配。绝不能以任何方式改装插头。需接地的电动工具不能使用任何转换插头。未经改装的插头和相配的插座将减少电击危险。
- ▶ 避免人体接触接地表面，如管道、散热片和冰箱。如果你身体接地会增加电击危险。
- ▶ 不得将电动工具暴露在雨中或潮湿环境中。水进入电动工具将增加电击危险。
- ▶ 不得滥用电线。绝不能用电线搬运、拉动电动工具或拔出其插头。使电线远离热源、油、锐边或运动部件。受损或缠绕的软线会增加电击危险。
- ▶ 当在户外使用电动工具时，使用适合户外使用的外接软线。适合户外使用的软线将减少电击危险。
- ▶ 如果在潮湿环境下操作电动工具是不可避免的，应使用剩余电流动作保护器（RCD）。使用 RCD 可减少电击危险。

人身安全

- ▶ 保持警觉，当操作电动工具时关注所从事的操作并保持清醒。当你感到疲倦，或在有药物、酒精或治疗反应时，不要操作电动工具。在操作电动工具时瞬间的疏忽会导致严重人身伤害。
- ▶ 使用个人防护装置。始终佩戴护目镜。安全装置，诸如适当条件下使用防尘面具、防滑安全鞋、安全帽、听力防护等装置能减少人身伤害。
- ▶ 防止意外起动。确保开关在连接电源和/或电池盒、拿起或搬运工具时处于关断位置。手指放在已接通电源的开关上或开关处于接通时插入插头可能会导致危险。

- ▶ 在电动工具接通之前，拿掉所有调节钥匙或扳手。遗留在电动工具旋转零件上的扳手或钥匙会导致人身伤害。
- ▶ 手不要伸展得太长。时刻注意立足点和身体平衡。这样在意外情况下能很好地控制电动工具。
- ▶ 着装适当。不要穿宽松衣服或佩戴饰品。让衣服、手套和头发远离运动部件。宽松衣服、佩饰或长发可能会卷入运动部件中。
- ▶ 如果提供了与排屑、集尘设备连接用的装置，要确保他们连接完好且使用得当。使用这些装置可减少尘屑引起的危险。

电动工具使用和注意事项

- ▶ 不要滥用电动工具，根据用途使用适当的电动工具。选用适当设计的电动工具会使你工作更有效、更安全。
- ▶ 如果开关不能接通或关断工具电源，则不能使用该电动工具。不能用开关来控制的电动工具是危险的且必须进行修理。
- ▶ 在进行任何调节、更换附件或贮存电动工具之前，必须从电源上拔掉插头和/或使电池盒与工具脱开。这种防护性措施将减少工具意外起动的危险。
- ▶ 将闲置不用的电动工具贮存在儿童所及范围之外，并且不要让不熟悉电动工具或对这些说明不了解的人操作电动工具。电动工具在未经培训的用户手中是危险的。
- ▶ 保养电动工具。检查运动件是否调整到位或卡住，检查零件破损情况和影响电动工具运行的其他状况。如有损坏，电动工具应在使用前修理好。许多事故由维护不良的电动工具引发。
- ▶ 保持切削刀具锋利和清洁。保养良好的有锋利切削刃的刀具不易卡住而且容易控制。
- ▶ 按照使用说明书，考虑作业条件和进行的作业来使用电动工具、附件和工具的刀头等。将电动工具用于那些与其用途不符的操作可能会导致危险。

维修

- ▶ 将你的电动工具送交专业维修人员，使用同样的备件进行修理。这样将确保所维修的电动工具的安全性。

针对线锯的安全规章

- ▶ 在切削附件可能触及暗线或其自身软线之处进行操作时，要通过绝缘握持面来握持工具。切削附件碰到带电导线会使工具外露的金属零件带电从而使操作者受到电击。
- ▶ 双手必须远离锯割范围，手不可以握在工件下端。如果不小心碰触了锯片可能被割伤。
- ▶ 先开动电动工具后再把工具放置在工件上切割。如果电动工具被夹在工件中，会有反击的危险。

22 | 中文

- ▶ **锯割时必须把底座 5 正确地放置在工件上。** 锯片如果歪斜了，可能断裂或者造成反击。
- ▶ **工作告一段落时，必须先关闭电动工具并等待机器完全静止后，才可以从锯缝中拔出锯刀。** 如此不但可以防止反击，而且可以防止放置机器时发生危险。
- ▶ **只能使用未受损，功能正常的锯片。** 弯曲或变钝的锯片可能断裂，对锯痕造成负面影响或导致反弹。
- ▶ **关机后不可以侧压刀片来制止仍然继续转动的刀片。** 锯刀可能因此受损、断裂或者造成反击。
- ▶ **使用合适的侦测装置侦察隐藏的电线，或者向当地的相关单位寻求支援。** 接触电线可能引起火灾并让操作者触电。损坏了瓦斯管会引起爆炸。凿穿水管不仅会造成严重的财物损失，也可能导致触电。
- ▶ **固定好工件。** 使用固定装置或老虎钳固定工件，会比用手持握工件更牢固。
- ▶ **等待电动工具完全静止后才能够放下机器。** 机器上的工具可能在工作中被夹住，而令您无法控制电动工具。

14 斜切角的刻度

15 螺丝

*图表或说明上提到的附件，并不包含在基本的供货范围中。本公司的附件清单中有完整的附件供应项目。

技术数据

曲线锯		GST 8000 E	
物品代码		3 601 E8H 0..	
额定输入功率	瓦	710	
无负载冲击次数 n_0	次 / 分	800 - 3100	
冲程	毫米	20	
最大锯深			
- 在木材	毫米	80	
- 在铝材	毫米	20	
- 在钢材（无镀金处理）	毫米	10	
锯角（左 / 右）最大	°	45	
重量符合			
EPTA-Procedure 01:2014	公斤	2.5	
绝缘等级			□/II

本说明书提供的参数是以 230 V 为依据，于低电压地区，此数据有可能不同。

产品和功率描述



阅读所有的警告提示和指示。如未确实遵循警告提示和指示，可能导致电击，火灾并且 / 或其他的严重伤害。

按照规定使用机器

本机器可以在稳固的底座上，进行切割、挖割。适用的材料包括木材、塑胶、金属、陶片和橡胶等。本机器不仅能够直锯，也可以斜切，最大斜切角度可达 45 度。请使用本公司推荐的锯刀片。

插图上的机件

机件的编号和电动工具详解图上的编号一致。

- 1 起停开关锁
- 2 冲击次数调整轮
- 3 起停开关
- 4 内六角扳手
- 5 底座
- 6 振荡调整杆
- 7 导引轮
- 8 锯片*
- 9 防割伤装置
- 10 手柄（绝缘握柄）
- 11 冲击杆
- 12 SDS 操纵杆，用来解开锯刀的锁定
- 13 防毛边压板

安装

- ▶ **维修电动工具或换装零、配件之前，务必从插座上拔出插头。**

安装 / 更换锯刀

- ▶ **安装锯片时要戴上工作手套。** 如果接触了锯片，可能被割伤。

选择锯片

在本说明书的末页有锯刀列表。只能使用有凸起的柄（T-柄）。参考锯割深度选择长度合适的锯刀。

锯割狭窄的弯角时，必须使用窄的锯刀。

安装锯刀（参考插图 A1）

把锯刀 8 以锯齿朝着锯割方向的方式推入冲击杆 11 中，必须将锯刀推到尽头。此时 SDS 操纵杆 12 会自动向后弹，如此一来便可以锁定锯刀。不可以用手向后推压操纵杆 12，这样可能会损坏电动工具。

安装锯刀时请注意，刀背要套入导引轮 7 的凹槽中。

- ▶ **检查锯刀是否已经装牢了。** 松动的锯刀可能掉落并伤害您。

抛出锯刀（参考插图 A2）

- ▶ **抛出锯刀时千万要握好电动工具，不可以让弹出的锯刀伤害旁人或动物。**

抛出锯刀时，必须把 SDS 操纵杆 12 朝着防割伤装置 9 的方向向前推移。此时夹头会松开而且刀片会被弹出。

防毛边压板（参考插图 B）

使用防毛边压板 13（附件）可以防止锯割木材时撕毁工件表面。防毛边压板必须配合特别的锯刀，并且只能在 0 度锯角时使用。在工件边缘锯割时，可以把底盘 5 向后移动。但是安装了防毛边压板后，便不可以后移底盘。

从底盘的下方把防毛边压板 13 推入底盘 5 中。

吸锯尘 / 吸锯屑

▶ 含铅的颜料以及某些木材、矿物和金属的加工废尘有害健康。机器操作者或者工地附近的人如果接触、吸入这些废尘，可能会有过敏反应或者感染呼吸道疾病。

某些尘埃（例如加工橡木或山毛榉的废尘）可能致癌，特别是和处理木材的添加剂（例如木材的防腐剂等）结合之后。只有经过专业训练的人才能够加工含石棉的物料。

- 工作场所要保持空气流通。
- 最好佩戴 P2 滤网等级的口罩。

请留心并遵守贵国和加工物料有关的法规。

▶ **避免让工作场所堆积过多的尘垢。** 尘埃容易被点燃。

操作

操作功能

▶ **维修电动工具或换装零、配件之前，务必从插座上拔出插头。**

调整振荡功能

本机器有四个振荡级，因此可以根据加工物料适度配合锯割速度、锯割功率并产生最好的锯割效果。

使用调整杆 6，即使在机器运转中也可以调整振荡功能。

等级 0	无振荡
等级 I	小振荡
等级 II	中振荡
等级 III	大振荡

只有实际操作才能够找出最合适的设定方式。以下各设定建议仅供参考：

- 振荡级数越小，甚至完全关闭振荡功能，锯缘越细越干净。
- 锯割薄的工件时（例如铁皮）必须关闭振荡功能。
- 使用小的振荡级锯割硬的工件（例如钢板）。
- 锯割软的工件，或顺着木纹锯割木材时必须设定最大的振荡级。

调整斜角角度（参考插图 C）

拧松螺丝 15 并朝着电线的方向稍微地推动底盘 5。

针对斜角锯割，底盘 5 在左、右两侧有 0 度卡入凹槽和 45 度卡入凹槽。您可以参考刻度尺 14 把底盘翻

转到需要的位置。此外也可以使用量角设定其它的角度。

接著再朝着锯片 8 的方向，把底盘 5 推移到尽头。再度拧紧螺丝 15。

锯割斜角时不可以使用防毛边压板 13。

移动底盘（参考插图 C）

在工件边缘锯割时，可以把底盘 5 向后移动。

拧松螺丝 15 并朝着电线的方向将底盘 5 推到底。

再度拧紧螺丝 15。

使用经过移动的底盘 5 锯割时只能使用 0° 斜锯角。此时不可以使用防毛边压板 13。

操作机器

▶ **注意电源的电压！电源的电压必须和电动工具铭牌上标示的电压一致。**

开动 / 关闭

按下起停开关 3，可以 **开动** 电动工具。

锁定 起停开关 3，先按住起停开关然后再向右或向左推动起停开关锁 1。

关闭 电动工具，放开起停开关 3。如果起停开关 3 被锁定了，先按下起停开关紧接着再放开开关。

控制 / 设定冲击次数

您可以无级式调节电动工具的冲击次数。您在起停开关 3 上的施力大小，可以决定冲击次数的高低。

轻按起停开关 3 冲击次数低，按得越紧冲击次数越高。

锁定起停开关 3 后便无法降低冲击次数。

使用冲击次数调整轮 2，可以设定冲击次数，也可以在机器运转中改变冲击次数。

正确的冲击次数必须视工件物料和工作状况而定。唯有实际操作才能找出最合适的冲击次数。

起锯时，或者锯割塑料、铝片时最好降低冲击次数。

使用低冲击次数长期工作之后，电动工具会变热。此时得先抛出锯片，然后让电动工具以最大冲击次数运转约 3 分钟以帮助冷却。

有关操作方式的指点

▶ **维修电动工具或换装零、配件之前，务必从插座上拔出插头。**

▶ **锯割小的或薄的工件时必须使用牢固的垫架或者使用锯台（附件）。**

锯割木材、夹板以及其它建材之前，先检查工件中是否隐藏了异物，例如钉子和螺丝等。如果发现异物必须马上拔除。

24 | 中文

防割伤装置

安装在机器上的防割伤装置 9，可以防止操作者在工作时因为疏忽而碰触锯刀，因此不可以将它拆除。

潜锯 (参考插图 D)

▶ **潜锯只适用于软的物料，例如木材、石膏夹板等！
不能在金属上进行潜锯。**

潜锯时只能使用短的锯刀，并且只能选择 0 度的斜角锯割角。

先将底盘 5 的前缘顶在工件上，但是锯刀 8 不可以接触工件，接著再开动电动工具。使用的电动工具的如果具备冲击功能，必须把冲击次数设定为最大。用力地将机器顶向工件，並让锯刀片慢慢地潜入工件中。

待整个底盘 5 贴稳在工件表面后，便可以沿著锯线继续锯割。

冷却剂 / 润滑剂

锯割金属时由于物料会变热，必须在锯割线上涂抹冷却剂或润滑剂。

维修和服务**维修和清洁**

- ▶ **维修电动工具或换装零、配件之前，务必从插座上拔出插头。**
- ▶ **电动工具和通风间隙都必须保持清洁，这样才能提高工作品质 and 安全性。**

如果必须更换连接线，务必把这项工作交给博世或者经授权的博世电动工具顾客服务执行，以避免危害机器的安全性能。

定期清洁锯刀接头。此时必须先从电动工具中拆下锯刀，并且在平坦的表面上轻敲电动工具，以便抖落污垢。

电动工具如果沾满污垢，可能会影响机器的功能。因此不可以仰头锯割会产生大量灰尘的工件。

- ▶ **在某些极端的操作环境下，如果可能的话一定要使用吸尘装备。吹除通气孔中的污垢并且要使用故障电流保护开关 (PRCD)。加工金属时可能在电动工具的内部堆积会导电的废尘。这样可能会影响电动工具的安全绝缘性能。**

偶尔要在导引轮 7 上滴油润滑。

定期检查导引轮 7 是否磨损了。如果确定导引轮已经损坏，必须把机器交给经过授权的博世客户服务中心更换导引轮。

顾客服务处和顾客咨询中心

本公司顾客服务处负责回答有关本公司产品的修理、维护和备件的问题。以下的网页中有爆炸图和备件的资料：

www.bosch-pt.com

博世顾客咨询团队非常乐意为您解答有关本公司产品及附件的问题。

如需查询和订购备件，请务必提供产品型号铭牌上的 10 位数货号。

有关保证，维修或更换零件事宜，请向合格的经销商查询。

中国大陆

博世电动工具 (中国) 有限公司
中国 浙江省 杭州市
滨江区滨康路 567 号
邮政编码：310052
免费服务热线：4008268484
传真：(0571) 87774502
电邮：contact.ptcn@cn.bosch.com
www.bosch-pt.com.cn

羅伯特·博世有限公司
香港北角英皇道 625 號 21 樓
客戶服務熱線：+852 2101 0235
傳真：+852 2590 9762
電郵：info@hk.bosch.com
網站：www.bosch-pt.com.hk

制造商地址：

Robert Bosch Power Tools GmbH
罗伯特·博世电动工具有限公司
70538 Stuttgart / GERMANY
70538 斯图加特 / 德国

处理废弃物

必须以符合环保的方式，回收再利用损坏的机器、附件和废弃的包装材料。



不可以把电动工具丢入家庭垃圾中！

保留修改权。**中文****安全規章****電動工具通用安全警告**

警告 閱讀所有警告和所有說明。不遵照以下警告和說明會導致電擊、著火和/或嚴重傷害。

保存所有警告和說明書以備查閱。

在所有下列的警告中術語“電動工具”指市電驅動（有線）電動工具或電池驅動（無線）電動工具。

工作場地的安全

- ▶ **保持工作場地清潔和明亮。** 混亂和黑暗的場地會引發事故。
- ▶ **不要在易爆環境，如有易燃液體、氣體或粉塵的環境下操作電動工具。** 電動工具產生的火花會點燃粉塵或氣體。
- ▶ **讓兒童和旁觀者離開後操作電動工具。** 注意力不集中會使你失去對工具的控制。

電氣安全

- ▶ **電動工具插頭必須與插座相配。** 絕不能以任何方式改裝插頭。需接地的電動工具不能使用任何轉換插頭。未經改裝的插頭和相配的插座將減少電擊危險。
- ▶ **避免人體接觸接地表面，如管道、散熱片和冰箱。** 如果你身體接地會增加電擊危險。
- ▶ **不得將電動工具暴露在雨中或潮濕環境中。** 水進入電動工具將增加電擊危險。
- ▶ **不得濫用電線。** 絕不能用電線搬運、拉動電動工具或拔出其插頭。使電線遠離熱源、油、銳邊或運動部件。受損或纏繞的軟線會增加電擊危險。
- ▶ **當在戶外使用電動工具時，使用適合戶外使用的外接軟線。** 適合戶外使用的軟線，將減少電擊危險。
- ▶ **如果在潮濕環境下操作電動工具是不可避免的，應使用剩餘電流動作保護器 (RCD)。** 使用 RCD 可減少電擊危險。

人身安全

- ▶ **保持警覺，當操作電動工具時關注所從事的操作並保持清醒。** 當你感到疲倦，或在有藥物、酒精或治療反應時，不要操作電動工具。在操作電動工具時瞬間的疏忽會導致嚴重人身傷害。
- ▶ **使用個人防護裝置。始終佩戴護目鏡。** 安全裝置，諸如適當條件下使用防塵面具、防滑安全鞋、安全帽、聽力防護等裝置能減少人身傷害。
- ▶ **防止意外起動。** 確保開關在連接電源和 / 或電池盒、拿起或搬運工具時處於關斷位置。手指放在已接通電源的開關上或開關處於接通時插入插頭可能會導致危險。
- ▶ **在電動工具接通之前，拿掉所有調節鑰匙或扳手。** 遺留在電動工具旋轉零件上的扳手或鑰匙會導致人身傷害。
- ▶ **手不要伸展得太長。時刻注意立足點和身體平衡。** 這樣在意外情況下能很好地控制電動工具。
- ▶ **著裝適當。** 不要穿寬鬆衣服或佩戴飾品。讓你的衣服、手套和頭髮遠離運動部件。寬鬆衣服、佩飾或長髮可能會捲入運動部件中。
- ▶ **如果提供了與排屑、集塵設備連接用的裝置，要確保他們連接完好且使用得當。** 使用這些裝置可減少塵屑引起的危險。

電動工具使用和注意事項

- ▶ **不要濫用電動工具，根據用途使用適當的電動工具。** 選用適當設計的電動工具會使你工作更有效、更安全。
- ▶ **如果開關不能接通或關斷工具電源，則不能使用該電動工具。** 不能用開關來控制的電動工具是危險的且必須進行修理。
- ▶ **在進行任何調節、更換附件或貯存電動工具之前，必須從電源上拔掉插頭和 / 或使電池盒與工具脫開。** 這種防護性措施將減少工具意外起動的危險。
- ▶ **將閒置不用的電動工具貯存在兒童所及範圍之外，並且不要讓不熟悉電動工具或對這些說明不瞭解的人操作電動工具。** 電動工具在未經培訓的用戶手中是危險的。
- ▶ **保養電動工具。** 檢查運動件是否調整到位或卡住，檢查零件破損情況和影響電動工具運行的其他狀況。如有損壞，電動工具應在使用前修理好。許多事故由維護不良的電動工具引發。
- ▶ **保持切削刀具鋒利和清潔。** 保養良好的有鋒利切削刃的刀具不易卡住而且容易控制。
- ▶ **按照使用說明書，考慮作業條件和進行的作業來使用電動工具、附件和工具的刀頭等。** 將電動工具用於那些與其用途不符的操作可能會導致危險。

檢修

- ▶ **將你的電動工具送交專業維修人員，必須使用同樣的備件進行更換。** 這樣將確保所維修的電動工具的安全性。

針對線鋸的安全規章

- ▶ **如果安裝在此裝置上的切割配件可能會在作業期間割到暗藏的電線或自身的電源線，請務必從裝置握把上的絕緣處來握住該裝置。** 切割配件萬一接觸到帶電導線，可能會連帶使裝置上的金屬部件帶電，進而導致操作者觸電。
- ▶ **雙手必須遠離鋸割範圍，手不可以握在工件下端。** 如果不小心碰觸了鋸片可能被割傷。
- ▶ **先開動電動工具後再把工具放置在工件上切割。** 如果電動工具被夾在工件中，會有反擊的危險。
- ▶ **鋸割時必須把底盤 5 正確地放置在工件上。** 鋸片如果歪斜了，可能斷裂或者造成反擊。
- ▶ **工作告一段落時，必須先關閉電動工具並等待機器完全靜止後，才可以從鋸縫中拔出鋸刀。** 如此不但可以防止反擊，而且可以防止放置機器時發生危險。
- ▶ **只能使用未受損，功能正常的鋸片。** 彎曲或變鈍的鋸片可能斷裂，對鋸痕造成負面影響或導致反彈。
- ▶ **關機後不可以側壓刀片來制止仍然繼續轉動的刀片。** 鋸刀可能因此受損、斷裂或者造成反擊。

26 | 中文

- ▶ **使用合適的偵測裝置偵察隱藏的電線，或者向當地的相關單位尋求支援。** 接觸電線可能引起火災並讓操作者觸電。損壞了瓦斯管會引起爆炸。鑿穿水管不僅會造成嚴重的財物損失，也可能導致觸電。
- ▶ **固定好工件。** 使用固定裝置或老虎鉗固定工件，會比用手持握工件更牢固。
- ▶ **等待電動工具完全靜止後才能夠放下機器。** 機器上的工具可能在工作中被夾住，而令您無法控制電動工具。

產品和功率描述



閱讀所有的警告提示和指示。 如未確實遵循警告提示和指示，可能導致電擊、火災並且 / 或其他的嚴重傷害。

按照規定使用機器

本機器可以在穩固的底墊上，進行切割、挖割。適用的材料包括木材、塑膠、金屬、陶片和橡膠等。本機器不僅能夠直鋸，也可以鋸彎角，最大彎角角度可達 45 度。請使用本公司推薦的鋸刀片。

插圖上的機件

機件的編號和電動工具詳解圖上的編號一致。

- 1 起停開關鎖
- 2 沖擊次數調整輪
- 3 起停開關
- 4 內六角扳手
- 5 底盤
- 6 振蕩調整桿
- 7 導引輪
- 8 鋸片*
- 9 防割傷裝置
- 10 手柄（絕緣握柄）
- 11 沖擊桿
- 12 SDS 操縱桿，用來解開鋸刀的鎖定
- 13 防毛邊壓板
- 14 斜切角的刻度
- 15 螺絲

*圖表或說明上提到的附件，並不包含在基本的供貨範圍中。本公司的附件清單中有完整的附件供應項目。

技術性數據

曲線鋸		GST 8000 E
物品代碼		3 601 E8H 0..
額定輸入功率	瓦	710
無負載沖擊次數 n_0	次 / 分	800 - 3100
沖程	毫米	20
最大鋸深		
- 在木材	毫米	80
- 在鋁材	毫米	20
- 在鋼材（無鍍金處理）	毫米	10
鋸角（左 / 右）最大	°	45
重量符合		
EPTA-Procedure 01:2014	公斤	2.5
絕緣等級		□/II

本說明書提供的參數是以 230 伏特為依據，於低電壓地區，此數據有可能不同。

安裝

- ▶ **維修電動工具或換裝零、配件之前，務必從插座上拔出插頭。**

安裝 / 更換鋸刀

- ▶ **安裝鋸片時要戴上工作手套。** 如果接觸了鋸片，可能被割傷。

選擇鋸片

在本說明書的末頁有鋸刀列表。只能使用有凸起的柄（T-柄）。參考鋸割深度選擇長度合適的鋸刀。

鋸割狹窄的彎角時，必須使用窄的鋸刀。

安裝鋸刀（參考插圖 A1）

把鋸刀 8 以鋸齒朝著鋸割方向的方式推入衝擊杆 11。中，必須將鋸刀推到盡頭。此時 SDS 操縱杆 12 會自動向後彈，如此一來便可以鎖定鋸刀。不可以用手向後推壓操縱杆 12，這樣可能會損壞電動工具。

安裝鋸刀時請注意，刀背要套入導引輪 7 的凹槽中。

- ▶ **檢查鋸刀是否已經裝牢了。** 松動的鋸刀可能掉落並傷害您。

拋出鋸刀（參考插圖 A2）

- ▶ **拋出鋸刀時千萬要握好電動工具，不可以讓彈出的鋸刀傷害旁人或動物。**

拋出鋸刀時，必須把 SDS 操縱桿 12 朝著防割傷裝置 9 的方向向前推移。此時夾頭會鬆開而且刀片會被彈出。

防毛邊壓板（參考插圖 B）

使用防毛邊壓板 13（附件）可以防止鋸割木材時撕毀工件表面。防毛邊壓板必須配合特別的鋸刀，並且只能在 0 度鋸角時使用。在工件邊緣鋸割時，可以把 5 向後移動。但是安裝了防毛邊壓板後，便不可以後移底盤。

從底盤的下方把防毛邊壓板 13 推入底盤 5 中。

吸鋸塵 / 吸鋸屑

▶ 含鉛的顏料以及某些木材、礦物和金屬的加工廢塵有害健康。機器操作者或者工地附近的人如果接觸、吸入這些廢塵，可能會有過敏反應或者感染呼吸道疾病。

某些塵埃（例如加工橡木或山毛櫸的廢塵）可能致癌，特別是和處理木材的添加劑（例如木材的防腐劑等）結合之後。只有經過專業訓練的人才能夠加工含石棉的物料。

- 工作場所要保持空氣流通。
- 最好佩戴 P2 濾網等級的口罩。

請留心並遵守貴國和加工物料有關的法規。

▶ 避免讓工作場所堆積過多的塵垢。塵埃容易被點燃。

操作

操作方式

▶ 維修電動工具或換裝零、配件之前，務必從插座上拔出插頭。

調整振蕩功能

本機器有四個振蕩級，因此可以根據加工物料適度配合鋸割速度、鋸割功率並產生最好的鋸割效果。

使用調整桿 6，即使在機器運轉中也可以調整振蕩功能。

等級 0	無振蕩
等級 I	小振蕩
等級 II	中振蕩
等級 III	大振蕩

只有實際操作才能夠找出最合適的設定方式。以下各設定建議僅供參考：

- 振蕩級數越小，甚至完全關閉振蕩功能，鋸緣越細越干淨。
- 鋸割薄的工件時（例如鐵皮）必須關閉振蕩功能。
- 使用小的振蕩級鋸割硬的工件（例如鋼板）。
- 鋸割軟的工件，或順著木紋鋸割木材時必須設定最大的振蕩級。

調整斜角角度（參考插圖 C）

擰鬆螺絲 15 並朝著電線的方向稍微地推動底盤 5。針對斜角鋸割，底盤 5 在左、右兩側有 0 度卡入凹槽和 45 度卡入凹槽。您可以參考刻度尺 14 把底盤翻轉到需要的位置。此外也可以使用量角規設定其它的角度。

接著再朝著鋸片 8 的方向，把底盤 5 推移到盡頭。

再度擰緊螺絲 15。

鋸割斜角時不可以使用防毛邊壓板 13。

移動底盤（參考插圖 C）

在工件邊緣鋸割時，可以把底盤 5 向後移動。

擰鬆螺絲 15 並朝著電線的方向將底盤 5 推到底。

再度擰緊螺絲 15。

使用經過移動的底盤 5 鋸割時只能夠使用 0° 斜鋸角。此時不可以使用防毛邊壓板 13。

操作機器

▶ 注意電源的電壓！電源的電壓必須和電動工具銘牌上標示的電壓一致。

開動 / 關閉

按下起停開關 3，可以開動電動工具。

鎖定 起停開關 3，先按住起停開關然後再向右或向左推動起停開關鎖 1。

關閉 電動工具，放開起停開關 3。如果起停開關 3 被鎖定了，先按下起停開關緊接著再放開開關。

控制 / 設定沖擊次數

您可以無級式調節電動工具的沖擊次數。您在起停開關 3 上的施力大小，可以決定沖擊次數的高低。

輕按起停開關 3 沖擊次數低，按得越緊沖擊次數越高。

鎖定起停開關 3 後便無法降低沖擊次數。

使用沖擊次數調整輪 2，可以設定沖擊次數，也可以在機器運轉中改變沖擊次數。

正確的沖擊次數必須視工件物料和工作狀況而定。唯有實際操作才能找出最合適的沖擊次數。

起鋸時，或者鋸割塑料、鋁片時最好降低沖擊次數。

使用低沖擊次數長期工作之後，電動工具會變熱。此時得先拋出鋸片，然後讓電動工具以最大沖擊次數運作約 3 分鐘以幫助冷卻。

28 | 中文

有關操作方式的指點

- ▶ **維修電動工具或換裝零、配件之前，務必從插座上拔出插頭。**
- ▶ **鋸割小的或薄的工件時必須使用牢固的墊架或者使用鋸臺（附件）。**

鋸割木材、夾板以及其它建材之前，先檢查工件中是否隱藏了異物，例如釘子和螺絲等。如果發現異物必須馬上拔除。

防割傷裝置

安裝在機器上的防割傷裝置 9，可以防止操作者在工作時因為疏忽而碰觸鋸刀，因此不可以將它拆除。

潛鋸（參考插圖 D）

- ▶ **潛鋸只適用於軟的物料，例如木材、石膏夾板等！不可以金屬上進行潛鋸。**

潛鋸時只能使用短的鋸刀，並且只能選擇 0 度的斜角鋸割角。

先將底盤 5 的前緣頂在工件上，但是鋸刀 8 不可以接觸工件，接著再開動電動工具。使用的電動工具如果具備沖擊功能，必須把沖擊次數設定為最大。用力地將機器頂向工件，並讓鋸刀片慢慢地潛入工件中。

待整個底盤 5 貼穩在工件表面後，便可以沿著鋸線繼續鋸割。

冷卻劑 / 潤滑劑

鋸割金屬時由於物料會變熱，必須在鋸割線上塗抹冷卻劑或潤滑劑。

維修和服務**維修和清潔**

- ▶ **維修電動工具或換裝零、配件之前，務必從插座上拔出插頭。**
- ▶ **電動工具和通風間隙都必須保持清潔，這樣才能夠提高工作品質和安全性。**

如果必須更換連接線，務必把這項工作交給博世或者經授權的博世電動工具顧客服務執行，以避免危害機器的安全性能。

定期清潔鋸刀接頭。此時必須先從電動工具中拆下鋸刀，並且在平坦的表面上輕敲電動工具，以便抖落污垢。

電動工具如果沾滿污垢，可能會影響機器的功能。因此不可以仰頭鋸割會產生大量灰塵的工件。

- ▶ **在某些極端的操作環境下，如果可能的話一定要使用吸塵裝備。時常將通氣孔上累積的塵垢噴吹乾淨，並在前側加設漏電斷路器（PRCD）。加工金屬時可能在電動工具的內部堆積會導電的廢塵。這樣可能會影響電動工具的安全絕緣性能。**

偶爾要在導引輪 7 上滴油潤滑。

定期檢查導引輪 7 是否磨損了。如果確定導引輪已經損壞，必須把機器交給經過授權的博世客戶服務中心更換導引輪。

顧客服務處和顧客諮詢中心

本公司顧客服務處負責回答有關本公司產品的修理、維護和備件的問題。以下的網頁中有爆炸圖和備件的資料：

www.bosch-pt.com

博世顧客諮詢團隊非常樂意為您解答有關本公司產品及附件的問題。

當您需要諮詢或訂購備用零組件時，請務必提供本產品型號銘牌上的 10 位項目編號。

台灣

台灣羅伯特博世股份有限公司

建國北路一段 90 號 6 樓

台北市 10491

電話：(02) 2515 5388

傳真：(02) 2516 1176

www.bosch-pt.com.tw

制造商地址：

Robert Bosch Power Tools GmbH

羅伯特·博世電動工具有限公司

70538 Stuttgart / GERMANY

70538 斯圖加特 / 德國

處理廢棄物

必須以符合環保的方式，回收再利用損壞的機器、附件和廢棄的包裝材料。



不可以把電動工具丟入家庭垃圾中。

保留修改權。

設備名稱：曲線鋸，型號：GST 8000 E
 限用物質及其符號

單元	鉛 (Pb)	汞 (Hg)	鎘 (Cd)	六價鉻 (Cr ⁺⁶)	多溴聯苯 (PBB)	多溴二苯醚 (PBDE)
開關	—	0	0	0	0	0
電容器	0	0	0	0	0	0
馬達	0	0	0	0	0	0
電源線	0	0	0	0	0	0
外殼 (塑料)	0	0	0	0	0	0

備考 1. "超出 0.1 wt %" 及 "超出 0.01 wt %" 係指限用物質之百分比含量超出 百分比含量基準值。

備考 2. "0" 係指該項限用物質之百分比含量未超出百分比含量基準值。

備考 3. "—" 係指該項限用物質為排除項目。

한국어

안전 수칙

전동공구용 일반 안전수칙

⚠ 경고 모든 안전수칙과 지시 사항을 상세히 읽고 지켜야 합니다. 다음의 안전수칙과 지시 사항을 준수하지 않으면 화재 위험이 있으며 감전 혹은 중상을 입을 수 있습니다.

앞으로의 참고를 위해 이 안전수칙과 사용 설명서를 잘 보관하십시오.

다음에서 사용되는 "전동공구" 라는 개념은 전원에 연결하여 사용하는 전동 기기 (전선이 있는) 나 배터리를 사용하는 전동 기기 (전선이 없는) 를 의미합니다.

작업장 안전

- ▶ 작업장을 항상 깨끗이 하고 조명을 밝게 하십시오. 작업장 환경이 어수선하거나 어두우면 사고를 초래할 수 있습니다.
- ▶ 가연성 유체, 가스 또는 분진이 있어 폭발 위험이 있는 환경에서 전동공구를 사용하지 마십시오. 전동공구는 분진이나 증기에 점화하는 스파크를 일으킬 수 있습니다.
- ▶ 전동공구를 사용할 때 구경꾼이나 어린이 혹은 다른 사람이 작업장에 접근하지 못하게 하십시오. 다른 사람이 주의를 산만하게 하면 기기에 대한 통제를 잃기 쉽습니다.

전기에 관한 안전

- ▶ 전동공구의 전원 플러그가 전원 콘센트에 잘 맞아야 합니다. 플러그를 조금이라도 변경시켜서는 안됩니다. 접지된 전동공구를 사용할 때 어댑터 플러그를 사용하지 마십시오. 변형되지 않은 플러그와 잘 맞는 콘센트를 사용하면 감전의 위험을 감소할 수 있습니다.

- ▶ 파이프 관, 라디에이터, 레인지, 냉장고와 같은 접지 표면에 물이 닿지 않도록 하십시오. 몸에 닿을 경우 감전될 위험이 높습니다.
- ▶ 전동공구를 비에 맞지 않게 하고 습기 있는 곳에 두지 마십시오. 전동공구에 물이 들어가면 감전될 위험이 높습니다.
- ▶ 전원 코드를 잡고 전동공구를 운반하거나 걸어 놓아서서는 안되며, 콘센트에서 전원 플러그를 뽑을 때 전원 코드를 잡아 당겨서는 절대로 안됩니다. 전원 코드가 열과 오일에 접촉하는 것을 피하고, 날카로운 모서리나 기기의 가동 부위에 닿지 않도록 주의하십시오. 손상되거나 영킨 전원 코드는 감전을 유발할 수 있습니다.
- ▶ 실외에서 전동공구로 작업할 때는 실외용으로 적당한 연장 전원 코드만을 사용하십시오. 실외용 연장 전원 코드를 사용하면 감전의 위험을 줄일 수 있습니다.
- ▶ 전동공구를 습기 찬 곳에서 사용해야 할 경우에는 누전 차단기를 사용하십시오. 누전 차단기를 사용하면 감전 위험을 줄일 수 있습니다.

사용자 안전

- ▶ 신중하게 작업하십시오. 작업을 할 때 주의를 하며, 전동공구를 사용할 때 경솔하게 행동하지 마십시오. 피로한 상태이거나 약복 복용 및 음주한 후에는 전동공구를 사용하지 마십시오. 전동공구를 사용할 때 잠시라도 주의가 산만해지면 중상을 입을 수 있습니다.
- ▶ 작업자 안전을 위한 장치를 사용하십시오. 항상 보안경을 착용하십시오. 전동공구의 종류와 사용에 따라 먼지 보호 마스크, 미끄러지지 않는 안전한 신발, 안전모 또는 귀마개 등의 안전한 복장을 하면 상해의 위험을 줄일 수 있습니다.

30 | 한국어

- ▶ **실수로 기기가 작동되지 않도록 주의하십시오.** 전동 공구를 전원에 연결하거나 배터리를 끼우기 전에, 혹은 기기를 들거나 운반하기 전에, 전원 스위치가 꺼져 있는지 다시 확인하십시오. 전동공구를 운반할 때 전원 스위치에 손가락을 대거나 전원 스위치가 켜진 상태에서 전원을 연결하면 사고 위험이 높습니다.
- ▶ **전동공구를 사용하기 전에 조절하는 톨이나 나사 키 등을 빼 놓으십시오.** 회전하는 부위에 있는 톨이나 나사 키로 인해 상처를 입을 수 있습니다.
- ▶ **자신을 과신하지 마십시오.** 불안정한 자세를 피하고 항상 평형한 상태로 작업하십시오. 안정된 자세와 평형한 상태로 작업해야만이 의외의 상황에서 도 전동공구를 안전하게 사용할 수 있습니다.
- ▶ **알맞은 작업복을 입으십시오.** 헐렁한 복장을 하거나 장신구를 착용하지 마십시오. 머리카락 또는 장갑이 가동하는 기기 부위에 가까이 닿지 않도록 주의하십시오. 헐렁한 복장, 장신구 혹은 긴 머리는 가동 부위에 말려 사고를 초래할 수 있습니다.
- ▶ **분진 추출장치나 수거장치의 조립이 가능한 경우, 이 장치가 연결되어 있는지, 제대로 작동이 되는지 확인하십시오.** 이러한 분진 추출장치를 사용하면 분진으로 인한 사고 위험을 줄일 수 있습니다.

전동공구의 올바른 사용과 취급

- ▶ **기기를 과부하 상태에서 사용하지 마십시오.** 작업할 때 이에 적당한 전동공구를 사용하십시오. 알맞은 전동공구를 사용하면 지정된 성능 한도 내에서 더 효율적으로 안전하게 작업할 수 있습니다.
- ▶ **전원 스위치가 고장 난 전동공구를 사용하지 마십시오.** 전원 스위치가 작동되지 않는 전동공구는 위험하므로, 반드시 수리를 해야 합니다.
- ▶ **기기에 세팅을 하거나 액세서리 부품을 교환하거나 혹은 기기를 보관할 때, 항상 전원 콘센트에서 플러그를 미리 빼어 놓으십시오.** 이러한 조치는 실수로 전동공구가 작동하게 되는 것을 예방합니다.
- ▶ **사용하지 않는 전동공구는 어린이 손이 닿지 않는 곳에 보관하고, 전동공구 사용에 익숙지 않거나 이 사용 설명서를 읽지 않은 사람은 기기를 사용해서는 안 됩니다.** 경험이 없는 사람이 전동공구를 사용하면 위험합니다.
- ▶ **전동공구를 조심스럽게 관리하십시오.** 가동 부위가 하자 없이 정상적인 기능을 하는지, 걸리는 부위가 있는지, 혹은 전동공구의 기능에 중요한 부품이 손상되지 않았는지 확인하십시오. 손상된 기기의 부품은 전동공구를 다시 사용하기 전에 반드시 수리를 맡기십시오. 제대로 관리하지 않은 전동공구의 경우 많은 사고를 유발합니다.
- ▶ **절단 공구를 날카롭고 깨끗하게 관리하십시오.** 날카로운 절단면이 있고 잘 관리된 절단공구는 걸리는 경우가 드물고 조절하기도 쉽습니다.
- ▶ **전동공구, 액세서리, 장착하는 공구 등을 사용할 때, 이 지시 사항과 특별히 기종 별로 나와있는 사용 방법을 준수하십시오.** 이때 작업 조건과 실시하려는 작업 내용을 고려하십시오. 원래 사용 분야가 아닌 다른 작업에 전동공구를 사용할 경우 위험한 상황을 초래할 수 있습니다.

서비스

- ▶ **전동공구 수리는 반드시 전문 인력에게 맡기고, 수리 정비 시 보쉬 순정 부품만을 사용하십시오.** 그렇게 함으로써 기기의 안전성을 오래 유지할 수 있습니다.

직소용 안전 수칙

- ▶ **작업할 때 톨날이 보이지 않는 전선이나 기기 자체의 코드에 닿을 위험이 있으면 전동공구의 절연된 손잡이 면을 잡으십시오.** 전류가 흐르는 전선에 접하게 되면 기기의 금속 부위에도 전기가 통해 감전될 위험이 있습니다.
- ▶ **절단 부위에 손을 가까이 대지 마십시오.** 작업물의 아래쪽을 잡지 마십시오. 날과 접하게 되면 상해를 입을 수 있습니다.
- ▶ **전동공구를 켜 상태에서만 작업물에 서서히 접근하십시오.** 그렇지 않으면 톨날이 작업물에 걸리면서 반동이 생길 위험이 있습니다.
- ▶ **절단작업을 할 때 밀판 5 이 완전히 작업물에 놓여 있는지 확인하십시오.** 톨날이 걸려 있으면 부러지거나 반동이 생길 수 있습니다.
- ▶ **작업을 마치고 나서 전동공구의 스위치를 끄고 기기가 완전히 정지된 후에 절단면에서 톨날을 빼십시오.** 이렇게 하면 반동이 생기는 것을 방지할 수 있으며 전동공구를 안전하게 내려 놓을 수 있습니다.
- ▶ **반드시 손상되지 않은 하자 없는 톨날만을 사용하십시오.** 휘거나 날카롭지 않은 톨날이 부러져 절단에 지장을 주거나 반동을 유발할 수 있습니다.
- ▶ **스위치를 끄고 나서 톨날을 옆에서 눌러 정지해서는 안됩니다.** 이로 인해 톨날이 손상되거나 부러질 수 있으며 혹은 반동을 유발할 수 있습니다.
- ▶ **보이지 않는 배관 설비를 확인하려면 적당한 탐지기를 사용하거나 담당 에너지 공급회사에 문의하십시오.** 전선에 접하게 되면 화재나 전기 충격을 야기할 수 있습니다. 가스관을 손상시키면 폭발 위험이 있습니다. 수도관을 파손하게 되면 재산 피해를 유발하거나 전기 충격을 야기할 수 있습니다.
- ▶ **작업물을 잘 고정하십시오.** 고정장치나 기계 바이스에 끼워서 작업하면 손으로 잡는 것보다 더 안전합니다.
- ▶ **전동공구를 내려놓기 전에 기기가 완전히 멈추는지를 확인하십시오.** 벨트가 걸려 전동공구에 대한 통제가 어려워질 수 있습니다.

제품 및 성능 소개



모든 안전수칙과 지시 사항을 상세히 읽고 지켜야 합니다. 다음의 안전수칙과 지시 사항을 준수하지 않으면 화재 위험이 있으며 감전 혹은 중상을 입을 수 있습니다.

규정에 따른 사용

본 전동공구는 목재 플라스틱 금속 세라믹판 그리고 고무 자재를 단단한 작업대 위에 고정시킨 상태에서 절단선을 긋는 작업이나 절단작업을 하는데 사용해야 합니다. 최대 45° 도 모서리 각도 절단을 포함하여 직선 및 곡선형 절단에 적합합니다. 톱날 선택에 있어 권장 자료를 참고하십시오.

제품의 주요 명칭

제품의 주요 명칭에 표기되어 있는 번호는 기기 그림이 나와있는 면을 참고하십시오.

- 1 전원 스위치 잠금 버튼
- 2 스트로크 수 선택 설정
- 3 전원 스위치
- 4 육각 키
- 5 밀판
- 6 오비탈 작동 조절 레버
- 7 가이드 롤러
- 8 톱날*
- 9 안전핀
- 10 손잡이 (절연된 손잡이 부위)
- 11 리프팅 로드
- 12 톱날 해제용 SDS 레버
- 13 작업 표면 보호대
- 14 마이터 각도용 눈금
- 15 나사

*도면이나 설명서에 나와있는 액세서리는 표준 공급부품에 속하지 않습니다. 전체 액세서리는 저희 액세서리 프로그램을 참고하십시오.

제품 사양

직소	GST 8000 E	
제품 번호		3 601 E8H 0..
소비 전력	W	710
무부하 시 스트로크 수 n_0	min^{-1}	800-3100
스트로크	mm	20
최대 절단 깊이		
- 목재	mm	80
- 알루미늄	mm	20
- 철재 (비합금강)	mm	10

자료는 정격 전압 [U] 230 V를 기준으로 한 것입니다. 전압이 낮거나 각국의 특수한 모델에 따라 달라질 수 있습니다.

직소	GST 8000 E	
절단 각도 (좌/우) 최대	°	45
EPTA 공정 01:2014에 따른 중량	kg	2.5
안전 등급		□/II

자료는 정격 전압 [U] 230 V를 기준으로 한 것입니다. 전압이 낮거나 각국의 특수한 모델에 따라 달라질 수 있습니다.

조립

▶ 전동공구를 보수 정비하기 전에 반드시 콘센트에서 전원 플러그를 빼십시오.

톱날 끼우기 / 교환하기

▶ 톱날을 끼울 때 보호 장갑을 착용하십시오. 톱날에 닿게 되면 상해를 입을 수 있습니다.

톱날 선택하기

추천하는 톱날 목록은 이 사용 설명서 후면에 나와 있습니다. T샹크가 있는 톱날만을 사용하십시오. 톱날은 작업하려는 절단 깊이보다 필요 이상으로 길어서는 안 됩니다.

폭이 좁은 곡선 작업을 하려면 가는 톱날을 사용하십시오.

톱날 끼우기 (그림 A1 참조)

톱니가 절단방향으로 향하게 하여 톱날 8을 스트로크 로드 11 안으로 걸릴 때까지 밀어 넣습니다. SDS 레버 12가 자동으로 뒤쪽으로 튀기며 톱날이 물리게 됩니다. 톱날을 끼울 때 레버 12를 손으로 뒤로 밀지 마십시오. 그렇게 하면 전동공구가 손상될 수 있습니다. 톱날을 끼울 때 톱날 등면이 가이드 롤러 7의 홈에 놓여 있는지 확인하십시오.

▶ 톱날이 제대로 끼워졌는지 확인해 보십시오. 느슨하게 걸린 톱날은 빠질 수 있으며 이로 인해 작업자가 상해를 입을 수 있습니다.

톱날 빼기 (그림 A2 참조)

▶ 톱날을 뺄 때 빠지는 톱날로 인해 사람이나 동물이 다치지 않도록 하여 전동공구를 잡으십시오.

SDS 레버 12를 안전핀 9쪽으로 앞으로 돌립니다. 톱날이 풀리며 빠집니다.

작업 표면 보호대 (그림 B 참조)

작업 표면 보호대 13 (별매 액세서리)은 목재에 톱질 작업을 할 표면에 가시같은 부스러기가 생기는 것을 방지합니다. 작업 표면 보호대는 반드시 특정한 톱날 타입과 0°의 절단 각도의 경우에만 사용이 가능합니다. 작업 표면 보호대를 사용하여 톱질작업을 할 때는 밀판 5를 모서리 가까이에 톱질작업 시 뒤로 밀어 사용해서는 안됩니다.

작업 표면 보호대 13을 아래서부터 밀판 5안쪽으로 눌러 끼웁니다.

32 | 한국어

분진 및 톱밥 추출장치

▶ 납 성분을 포함한 페인트나 몇몇 나무 종류, 또는 광물 성분 그리고 철과 같은 재료의 분진은 건강을 해칠 수 있습니다. 이 분진을 만지거나 호흡할 경우, 사용자나 주변 사람들은 알레르기 반응이나 호흡기 장애를 일으킬 수 있습니다. 딱딱나무나 너도밤나무와 같은 특정한 분진은 암을 유발시키며, 특히 목재 처리용으로 사용되는 부가 원료 (크로마트, 목재 보호제)와 혼합되면 암을 유발 시키게 됩니다. 석면 성분을 포함한 재료는 오직 전문가가 작업을 해야 합니다.

- 작업장의 통풍이 잘 되도록 하십시오.
- 필터등급 P2 가 장착된 호흡 마스크를 사용하십시오.

작업용 재료에 관해 국가가 지정한 규정을 고려 하십시오.

▶ **작업장 분진이 쌓이지 않도록 하십시오.** 분진이 쉽게 발화할 수 있습니다.

작동

작동 모드

▶ **전동공구를 보수 정비하기 전에 반드시 콘센트에서 전원 플러그를 빼십시오.**

오비탈 작동 조절하기

오비탈 작동이 4 단계로 조절이 가능하여 작업하려는 소재에 적당하게 절단 속도, 절단 성능, 절단 모양을 결정할 수 있습니다.

조절 레버 **6** 으로 기기가 작동하는 중에도 오비탈 작동을 변경할 수 있습니다.

단계 0	오비탈 작동 정지
단계 I	약한 오비탈 작동
단계 II	중간 오비탈 작동
단계 III	강한 오비탈 작동

각 작업에 따른 최적의 오비탈 단계 설정은 실제로 시험해 보아 결정할 수 있습니다:

- 더 좁고 깨끗한 절단 모서리 작업일수록 오비탈 작동을 가능한 낮은 단계로 하거나 작동을 중지해야 합니다.
- 금속 박판 등 얇은 소재에 작업할 때는 오비탈 작동을 중지하십시오.
- 강철 등 경질의 소재에 작업할 때는 오비탈 작동을 낮게 하십시오.
- 연질 소재나 목재에 결 방향으로 작업할 때는 오비탈 작동을 최대로 하십시오.

마이터 각도 설정하기 (그림 C 참조)

나사 **15** 를 풀고 밀판 **5** 를 전원 코드쪽으로 살짝 미십시오.

정확한 마이터 각도를 맞추기 위해 밀판 오른쪽 왼쪽에 0° 와 45° 에 걸리는 부위가 있습니다. 밀판 **5** 을 눈금자 **14** 에서 따라 원하는 위치로 맞춥니다. 다른 마

이터 각도는 각도 측정자를 사용하여 조절할 수 있습니다.

그리고 나서 밀판 **5** 를 톱날 **8** 쪽으로 끝까지 밀니다. 나사 **15** 를 다시 세계 조입니다.

작업 표면 보호대 **13** 은 마이터 절단작업 시에는 사용할 수 없습니다.

밀판 위치 변경하기 (그림 C 참조)

모서리 가까이를 톱질할 경우 밀판 **5** 를 위쪽으로 밀 수 있습니다.

나사 **15** 를 풀고 밀판 **5** 를 전원 코드쪽으로 끝까지 미십시오.

나사 **15** 를 다시 세계 조입니다.

밀판 **5** 를 기울여 절단작업을 할 때 마이터 각도가 0° 를 유지해야 합니다. 작업 표면 보호대 **13** 을 사용하지 마십시오.

기계 이동

▶ **공공 배전 전압에 주의! 공급되는 전원의 전압은 전동공구의 명판에 표기된 전압과 동일해야 합니다.**

전원 스위치 작동

전동공구의 **스위치를 켜려면** 전원 스위치 **3** 을 누릅니다.

연속 작동을 하려면 전원 스위치 **3** 을 누른 상태로 잠금 버튼 **1** 을 오른쪽이나 왼쪽으로 밀면 됩니다.

전동공구의 **스위치를 끄려면** 전원 스위치 **3** 을 놓으십시오. 고정된 전원 스위치 **3** 의 경우 먼저 눌렀다가 다시 놓습니다.

스트로크 수 조절하기 / 설정하기

전동공구가 켜진 상태에서 전원 스위치 **3** 을 어느 정도 누르는 가에 따라 스트로크 수를 무단으로 조절할 수 있습니다.

전원 스위치 **3** 을 가볍게 누르면 저속으로 작동하고 강하게 누를수록 스트로크 수가 높아집니다.

고정된 전원 스위치 **3** 의 경우 스트로크 수를 낮추는 것이 불가능합니다.

스트로크 수 설정용 **선회 2** 로 스트로크 수를 설정하고 작동 중에도 변경이 가능합니다.

작업 소재와 작업 조건에 따라 필요로 하는 스트로크 수가 달라지므로 실제 시험을 통해 결정할 수 있습니다.

톱날을 작업물에 대거나 플라스틱과 알루미늄에 톱질작업을 할 때 스트로크 수를 감소하는 것이 좋습니다.

저속으로 장시간 작업하면 전동공구가 매우 뜨거워질 수 있습니다. 이 경우 톱날을 빼고 전동공구를 약 3 분간 최고 스트로크 수로 공전시켜 식히십시오.

사용방법

▶ **전동공구를 보수 정비하기 전에 반드시 콘센트에서 전원 플러그를 빼십시오.**

▶ 작거나 얇은 작업물에 작업할 경우 반드시 안전한 받침대나 톱 테이블 (별매 액세서리) 을 사용하십시오 .

목재, 판지, 건축자재 등에 톱질작업을 할 때 못이나 나사같은 이물질이 있는지 확인하고, 있다면 이를 제거하십시오 .

안전핀

하우징에 부착된 안전핀 9 는 작업 도중에 실수로 톱날에 접하게 되는 것을 방지하므로 빠서는 안됩니다 .

삽입 절단작업 (플런지 컷) (그림 D 참조)

▶ 삽입 톱질 방식은 목재와 석고판 등 연질의 소재 작업 시에만 사용해야 합니다! 금속 소재에는 삽입 톱질 방식으로 작업해서는 안됩니다!

삽입 톱질작업을 할 경우 짧은 톱날만을 사용하십시오 . 삽입 톱질작업은 마이터 각도가 0° 인 경우에만 가능합니다 .

톱날 8 이 작업물에 닿지 않도록 하여 전동공구 밀판 5 의 아래 모서리를 작업물에 올려 놓고 스위치를 켭니다 . 스트로크 수 제어 기능이 있는 전동공구의 경우 최대 스트로크 수를 선택하십시오 . 전동공구를 작업물에 세게 누르며 톱날이 천천히 작업물 안으로 들어가게 하십시오 .

밀판 5 면이 완전히 작업물에 놓이면 원하는 절단선에 따라 계속 톱질작업을 하십시오 .

냉각제 / 윤활제

금속에 톱질작업을 할 때 작업물이 과열되기 때문에 절단선을 따라 냉각제나 윤활제를 발라 주어야 합니다 .

보수 정비 및 서비스

보수 정비 및 유지

▶ 전동공구를 보수 정비하기 전에 반드시 콘센트에서 전원 플러그를 빼십시오 .

▶ 안전하고 올바른 작동을 위하여 전동공구와 전동공구의 통풍구를 항상 깨끗이 하십시오 .

연결 코드를 교환해야 할 경우 안전을 기하기 위해 보쉬사나 보쉬 지정 전동공구 서비스 센터에 맡겨야 합니다 .

톱날 흠더를 정기적으로 닦아 주십시오 . 이 경우 톱날을 전동공구에서 빼내고 전동공구를 평면에 가볍게 두드려 털어 주십시오 .

전동공구가 지나치게 오염되어 있으면 기능 장애가 생길 수 있습니다 . 그렇기 때문에 분진이 많이 발생하는 소재에 톱질작업을 할 때 아래서부터 또는 머리 위에서 작업하지 마십시오 .

▶ 열악한 환경에서 작업할 경우 가능한 한 추출장치를 항상 사용하도록 하십시오 . 통풍구를 자주 청소하고 누전 차단기 (PRCD) 에 연결하십시오 . 금속 소재에 작업할 경우 전도성 분진이 전동공구 안에 쌓이게 되면 전동공구의 보호 절연장치 기능에 장애가 생길 수 있습니다 .

가이드 롤러 7 에서 주기적으로 오일 한 방울을 발라 주십시오 .

가이드 롤러 7 을 정기적으로 마모되지 않았는지 확인하십시오 . 마모된 경우, 보쉬 지정 서비스 센터에 맡겨 교환해 주어야 합니다 .

보쉬 AS 및 고객 상담

보쉬는 귀하의 제품 및 수리에 관한 문의를 받고 있습니다 .

AS 센터 정보 및 제품에 대한 고객 상담은 하기 고객 콜센터 및 이메일 상담을 이용해주시기 바랍니다 .

고객 콜센터 : 080-955-0909

이메일 상담 :


Bosch-pt.hotline@kr.bosch.com

문의나 대체 부품 주문 시에는 반드시 제품 네임 플레이트에 있는 10 자리의 부품번호를 알려 주십시오 .

Bosch Korea, RBKR
Mechanics and Electronics Ltd.
PT/SAX-ASA
298 Bojeong-dong Giheung-gu
Yongin-si, Gyeonggi-do, 446-913
080-955-0909

처리

기기와 액세서리 및 포장 등은 친환경적인 방법으로 재활용할 수 있도록 분류하십시오 .

 전동공구를 가정용 쓰레기로 처리하지 마십시오!

위 사항은 사전 예고 없이 변경될 수도 있습니다 .

ภาษาไทย

กฎระเบียบเพื่อความปลอดภัย

คำเตือนทั่วไปเพื่อความปลอดภัยในการใช้เครื่องมือไฟฟ้า

⚠ คำเตือน ต้องอ่านคำเตือนเพื่อความปลอดภัยและคำสั่งทั้งหมด การไม่ปฏิบัติตามคำเตือนและคำสั่งอาจเป็นสาเหตุให้ถูกไฟฟ้าดูด เกิดไฟไหม้ และ/หรือได้รับบาดเจ็บอย่างร้ายแรง

เก็บรักษาคำเตือนและคำสั่งทั้งหมดสำหรับเปิดอ่านในภายหลัง

คำว่า "เครื่องมือไฟฟ้า" ในคำเตือนหมายถึง เครื่องมือไฟฟ้าของท่านที่ทำงานด้วยพลังงานไฟฟ้าที่ต่อจากเต้าเสียบ (มีสายไฟฟ้า) และเครื่องมือไฟฟ้าที่ทำงานด้วยพลังงานไฟฟ้าจากแบตเตอรี่ (ไร้สาย)

34 | ภาษาไทย

ความปลอดภัยในสถานที่ทำงาน

- ▶ **รักษาสถานที่ทำงานให้สะอาดและมีไฟส่องสว่างดี** สถานที่ที่มีมืดหรือกรงรังนำมาซึ่งอุบัติเหตุ
- ▶ **อย่าใช้เครื่องมือไฟฟ้าในสภาพแวดล้อมที่เสี่ยงต่อการติดระเบิดได้** เช่น ในที่มีของเหลว แก๊ส หรือฝุ่นที่ติดไฟได้ เมื่อใช้เครื่องมือไฟฟ้าจะเกิดประกายไฟซึ่งอาจจุดฝุ่นหรือไอให้ลุกเป็นไฟได้
- ▶ **ขณะใช้เครื่องมือไฟฟ้าทำงาน ต้องกันเด็กและผู้ยืนดูให้ออกห่าง** การหันเหความสนใจอาจทำให้ท่านขาดการควบคุมเครื่องได้

ความปลอดภัยเกี่ยวกับไฟฟ้า

- ▶ **ปลั๊กของเครื่องมือไฟฟ้าต้องมีขนาดพอดีกับเต้าเสียบ** อย่าตัดแปลงหรือแก้ไขตัวปลั๊กอย่างเด็ดขาด อย่าต่อปลั๊กต่อกัน เข้ากับเครื่องมือไฟฟ้าที่มีสายดิน ปลั๊กที่ไม่ตัดแปลงและเต้าเสียบที่เข้ากันช่วยลดความเสี่ยงจากการถูกไฟฟ้าดูด
- ▶ **หลีกเลี่ยงไม่ให้ร่างกายสัมผัสกับพื้นผิวของสิ่งของที่ต่อสายดินไว้** เช่น ท่อ เครื่องทำกาแฟ ไฟฟ้าดูดมากขึ้นหากกระแสไฟฟ้าวิ่งผ่านร่างกายของท่านลงดิน
- ▶ **อย่าวางเครื่องมือไฟฟ้าตากฝนหรือทิ้งไว้ในที่ชื้นแฉะ** หากน้ำเข้าในเครื่องมือไฟฟ้า จะเพิ่มความเสี่ยงจากการถูกไฟฟ้าดูด
- ▶ **อย่าใช้สายไฟฟ้าอย่างผิดๆ** อย่าถือเครื่องมือไฟฟ้าที่สาย อย่าย้ายขบวนเครื่อง หรือยัดสายไฟฟ้าเพื่อถอดปลั๊กออกจากเต้าเสียบ กันสายไฟพาดออกจากความร้อน น้ำมัน ขอบแหลมคม หรือส่วนของเครื่องที่กำลังเคลื่อนไหว สายไฟฟ้าที่ชำรุดหรือพันกันยุ่ง เพิ่มความเสี่ยงจากการถูกไฟฟ้าดูด
- ▶ **เมื่อใช้เครื่องมือไฟฟ้าทำงานกลางแจ้ง ให้ใช้สายไฟต่อที่ได้รับรองให้ใช้ต่อในที่กลางแจ้งเท่านั้น** การใช้สายไฟต่อที่เหมาะสมสำหรับงานกลางแจ้งช่วยลดอันตรายจากการถูกไฟฟ้าดูด
- ▶ **หากไม่สามารถหลีกเลี่ยงการใช้เครื่องมือไฟฟ้าทำงานในสถานที่เปียกชื้นได้ ให้ใช้สวิชต์ดวงจระเมือเกิดการรั่วไหลของไฟฟ้าจากสายดิน** การใช้สวิชต์ดวงจระเมือเกิดการรั่วไหลของไฟฟ้าจากสายดินช่วยลดความเสี่ยงต่อการถูกไฟฟ้าดูด

ความปลอดภัยของบุคคล

- ▶ **ท่านต้องอยู่ในสภาพเตรียมพร้อม ระมัดระวัง** ในสิ่งที่กำลังทำอยู่ และมีสติขณะใช้เครื่องมือไฟฟ้าทำงาน อย่ายังเครื่องมือไฟฟ้าขณะที่ท่านกำลังเหนื่อย หรืออยู่ภายใต้การครอบงำของฤทธิ์ของยาเสพติด แอลกอฮอล์ และยา เมื่อใช้เครื่องมือไฟฟ้าทำงาน ในชั่วนาทีที่ท่านขาดความเอาใจใส่อาจทำให้บุคคลบาดเจ็บอย่างรุนแรงได้
- ▶ **ใช้อุปกรณ์ปกป้องร่างกาย** สวมแว่นตาป้องกันเสมอ อุปกรณ์ปกป้อง เช่น หน้ากากกันฝุ่น รองเท้ากันลื่น หมวกกัน หรือประภททุกชิ้นเสียดัง ที่เลือกใช้ตามความเหมาะสมกับสภาพการทำงาน สามารถลดอันตรายต่อบุคคลได้
- ▶ **ป้องกันการติดเครื่องโดยไม่ตั้งใจ** ต้องดูให้แน่ใจว่าสวิชต์อยู่ในตำแหน่งปิดก่อนเสียบปลั๊กไฟเข้าในเต้าเสียบ และ/หรือใส่แหงนแดดหรือ ยักขึ้นหรือ

ถือเครื่องมือ การถือเครื่องโดยใช้นิ้วหัวที่สวิทซ์ หรือเสียบปลั๊กไฟฟ้าขณะสวิทซ์เปิดอยู่ อาจนำไปสู่อุบัติเหตุที่ร้ายแรงได้

- ▶ **เอาเครื่องมือปรับแต่งหรือประแจปากตายออกจากเครื่องมือไฟฟ้าก่อนเปิดสวิทซ์** เครื่องมือหรือประแจปากตายที่วางอยู่กับส่วนของเครื่องที่กำลังหมุนจะทำให้บุคคลบาดเจ็บได้
- ▶ **หลีกเลี่ยงการตั้งค่าที่ผิดปกติ** ตั้งท่ายืนที่มั่นคงและวางน้ำหนักให้สมดุลตลอดเวลา ในลักษณะนี้ท่านสามารถควบคุมเครื่องมือไฟฟ้าในสถานการณ์ที่ไม่คาดคิดได้ดีกว่า
- ▶ **ใส่เสื้อผ้าที่เหมาะสม** อย่ายใส่เสื้อผ้าหลวมหรือสวมเครื่องประดับ เอาหม เสื้อผ้า และถุงมือออกห่างส่วนขงเครื่องที่กำลังหมุน เสื้อผ้าหลวม เครื่องประดับ และผมยาวอาจเข้าไปติดในส่วนของเครื่องที่กำลังหมุนได้
- ▶ **หากต้องต่อเครื่องมือไฟฟ้าเข้ากับเครื่องดูดฝุ่นหรือเครื่องเก็บผง** ดูให้แน่ใจว่าการเชื่อมต่อและการใช้งานเป็นไปอย่างถูกต้อง การใช้อุปกรณ์ดูดฝุ่นช่วยลดอันตรายที่เกิดจากฝุ่นได้

การใช้และการดูแลรักษาเครื่องมือไฟฟ้า

- ▶ **อย่าใช้เครื่องมือไฟฟ้าอย่างหักโหม** ใช้เครื่องมือไฟฟ้าที่ถูกต้องตรงตามลักษณะงาน เครื่องมือไฟฟ้าที่ถูกต้องจะทำงานได้ดีกว่าและปลอดภัยกว่าในระดับสมรรถภาพที่ออกแบบไว้
- ▶ **อย่าใช้เครื่องมือไฟฟ้าที่สวิทซ์เปิดปิดเสีย** เครื่องมือไฟฟ้าที่ไม่สามารถควบคุมการเปิดปิดด้วยสวิทซ์ได้ เป็นเครื่องมือไฟฟ้าที่ไม่ปลอดภัยและต้องส่งซ่อมแซม
- ▶ **ก่อนปรับแต่งเครื่อง เปลี่ยนอุปกรณ์ประกอบ หรือเก็บเครื่องเข้าที่** ต้องถอดปลั๊กไฟออกจากเต้าเสียบ และ/หรือถอดแหงนแดดหรือจากเครื่องมือไฟฟ้ามาตรงการป้องกันเพื่อความปลอดภัยในช่วงลดความเสี่ยงจากการติดเครื่องโดยไม่ตั้งใจ
- ▶ **เมื่อเลิกใช้งานเครื่องมือไฟฟ้า ให้เก็บเครื่องไว้ในที่ที่เด็กหยิบไม่ถึง และ** ไม่อนุญาตให้บุคคลที่ไม่คุ้นเคยกับเครื่องหรือบุคคลที่ไม่ได้อ่านคำแนะนำนี้ใช้เครื่องมือไฟฟ้าเป็นของอันตรายหากตกอยู่ในมือของผู้ใช้ที่ไม่ได้รับการฝึกฝน
- ▶ **เอาใจใส่ดูแลรักษาเครื่อง** ตรวจหาส่วนที่เคลื่อนไหวได้ของเครื่องว่าวางอยู่ตรงแนวหรือติดขัดหรือไม่ ตรวจหาการแตกหักของชิ้นส่วนและสภาพอื่นใดที่อาจมีผลต่อการทำงานของเครื่องมือไฟฟ้า หากชำรุดต้องส่งเครื่องมือไฟฟ้าซ่อมแซมก่อนใช้งาน อุบัติเหตุหลายอย่างเกิดขึ้นเนื่องจากดูแลรักษาเครื่องไม่ดีพอ
- ▶ **รักษาเครื่องมือตัดให้คมและสะอาด** หากบำรุงรักษาเครื่องมือที่มีขอบตัดแหลมคมอย่างถูกต้อง จะสามารถตัดได้สิ้นไม่ติดขัดและควบคุมได้ง่ายกว่า
- ▶ **ใช้เครื่องมือไฟฟ้า อุปกรณ์ประกอบ เครื่องมือ และอุปกรณ์อื่นๆ ให้ตรงตามคำแนะนำนี้ และในลักษณะตามที่เครื่องมือไฟฟ้าระบุเท่านั้น กำหนดไว้ โดยต้องคำนึงถึงเงื่อนไขการทำงานและงานที่จะทำด้วย** การใช้เครื่องมือไฟฟ้าทำงานที่ต่างไปจากวัตถุประสงค์การใช้งานของเครื่อง อาจนำไปสู่สถานการณ์ที่เป็นอันตรายได้

การบริการ

- ▶ ส่งเครื่องมือไฟฟ้าให้ช่างผู้เชี่ยวชาญตรวจสอบและใช้ อะไหล่เปลี่ยนของแท้เท่านั้น ในลักษณะนี้ท่านจะแน่ใจได้ว่าเครื่องมือไฟฟ้าอยู่ในสภาพที่ปลอดภัย

คำเตือนเพื่อความปลอดภัยสำหรับเลื่อยฉลุ

- ▶ เมื่อทำงานในบริเวณที่อุปกรณ์ตัดอาจสัมผัสกับสายไฟฟ้าที่ซ่อนอยู่หรือสายไฟฟ้าของเครื่อง ต้องจับเครื่องมือไฟฟ้าตรงตามจับที่หุ้มฉนวน หากอุปกรณ์ตัดสัมผัสกับสายที่มีกระแสไฟฟ้าไหลผ่านจะทำให้ส่วนที่เป็นโลหะของเครื่องมือไฟฟ้าเกิดมีกระแสไฟฟ้าด้วย และส่งผลให้ผู้ใช้เครื่องมือถูกไฟฟ้ากระตุกได้
- ▶ เอามือออกห่างจากบริเวณแนวเลื่อย อย่าเอื้อมมือเข้าได้ ชีงงาน การสัมผัสกับใบเลื่อยจะทำให้บาดเจ็บได้
- ▶ จับเครื่องเข้าหาชิ้นงานเมื่อเครื่องเปิดทำงานอยู่เท่านั้น มิฉะนั้นอาจได้รับอันตรายจากการตีกลับหากเครื่องมือตัดติดขัดอยู่ในชิ้นงาน
- ▶ ขณะเลื่อย ดูให้แน่ใจว่าได้วางแผ่นฐาน 5 รับบนชิ้นงานอย่างมั่นคงแล้ว ใบเลื่อยที่ติดขัดอาจแตกหักหรือทำให้เกิดการตีกลับได้
- ▶ เมื่อเสร็จงานตัด ให้ปิดสวิตช์เครื่อง และดึงใบเลื่อยออกจากร่องตัดเมื่อใบเลื่อยหยุดนิ่งอยู่กับที่แล้วเท่านั้น ในลักษณะนี้ท่านสามารถหลีกเลี่ยงการตีกลับ และวางเครื่องลงได้อย่างปลอดภัย
- ▶ ใช้เฉพาะใบเลื่อยที่ไม่ชำรุดและไม่มีตำหนิเท่านั้น ใบเลื่อยที่ทื่อหรือบิดงอสามารถแตกหัก ส่งผลเชิงลบต่อการตัด หรือทำให้เกิดการตีกลับได้
- ▶ เมื่อปิดสวิตช์เครื่องแล้ว อย่าเบรคใบเลื่อยให้หยุดเร็ว โดยการกดลงด้านข้าง ใบเลื่อยอาจชำรุด แตกหัก หรือทำให้เกิดการตีกลับได้
- ▶ ใช้เครื่องตรวจที่เหมาะสมตรวจหาท่อ สายไฟฟ้า หรือสายโทรศัพท์ ที่อาจซ่อนอยู่ในบริเวณที่ทำงาน หรือขอความช่วยเหลือจากบริษัทสาธารณูปโภคในท้องถิ่น การสัมผัสกับสายไฟฟ้าอาจทำให้เกิดไฟไหม้หรือถูกไฟฟ้าดูด การทำให้ท่อแก๊สเสียหายอาจทำให้เกิดระเบิด การเจาะเข้าในท่อน้ำทำให้ทรัพย์สินเสียหาย หรืออาจเป็นเหตุให้ถูกไฟฟ้าดูดได้
- ▶ ยึดชิ้นงานให้แน่น การยึดชิ้นงานด้วยเครื่องมือหนีบหรือแท่นจับจะมั่นคงกว่าการยึดด้วยมือ
- ▶ ก่อนวางเครื่องลงบนพื้นทุกครั้งต้องรอให้เครื่องหยุดนิ่งอยู่กับที่เสมอ มิฉะนั้นเครื่องมือที่ปล่อยอยู่อาจติดขัดและนำไปสู่การสูญเสียการควบคุมเครื่องมือไฟฟ้า

รายละเอียดผลิตภัณฑ์และข้อมูลจำเพาะ

ต้องอ่านคำเตือนเพื่อความปลอดภัยและคำสั่งทั้งหมด การไม่ปฏิบัติตามคำเตือนและคำสั่งอาจเป็นสาเหตุให้ถูกไฟฟ้าดูด เกิดไฟไหม้ และ/หรือได้รับบาดเจ็บอย่างร้ายแรง

ประโยชน์การใช้งานของเครื่อง

เครื่องนี้ใช้สำหรับตัดไม้ พลาสติก โลหะ แผ่นเซรามิก และยาง เพื่อแยกส่วนออกจากกันและเพื่อตัดออก โดยต้องกดเครื่องอย่างมั่นคงลงบนชิ้นงาน เครื่องนี้เหมาะสำหรับตัดแนวตรงและตัดรูปโค้งที่มีมุมปากได้ถึง 45 องศา อ่านและปฏิบัติตามข้อแนะนำเกี่ยวกับใบเลื่อย

ส่วนประกอบผลิตภัณฑ์

ลำดับเลขของส่วนประกอบผลิตภัณฑ์อ้างอิงถึงส่วนประกอบของเครื่องที่แสดงในหน้าภาพประกอบ

- 1 ปุ่มล็อคเครื่องทำงานสำหรับสวิตช์เปิด-ปิด
- 2 ปุ่มเลือกอัตรารอบ-ซัท-เร็ว ล่วงหน้า
- 3 สวิตช์เปิด-ปิด
- 4 ประแจขึงทกเหลี่ยม
- 5 แผ่นฐาน
- 6 คันโยกสำหรับปรับการเตะ
- 7 หัวจับใบเลื่อย
- 8 ใบเลื่อย*
- 9 ก้านขน
- 10 ตามจับ (พื้นผิวจับหุ้มฉนวน)
- 11 ก้านขยับซัท
- 12 ก้านหนีบ SDS สำหรับปลดล็อคใบเลื่อย
- 13 แผ่นป้องกันกรงที่ผิววัสดุ
- 14 มาตรฐานมูมมาก
- 15 สกรู

*อุปกรณ์ประกอบที่แสดงหรือระบุไม่รวมอยู่ในการจัดส่งมาตรฐาน กรุณาดูอุปกรณ์ประกอบทั้งหมดในรายการแสดงอุปกรณ์ประกอบของเรา

ข้อมูลทางเทคนิค

เลื่อยฉลุ	GST 8000 E	
หมายเลขสินค้า	3 601 E8H 0..	
กำลังไฟฟ้าเข้ากำหนด	วัตต์	710
ความเร็วรอบเดินตัวเปล่า n_0	รอบ/นาที	800–3 100
ระยะช่วงซัท	มม.	20
ความสามารถในการตัด สูงสุด		
- ไม้	มม.	80
- ในอะลูมิเนียม	มม.	20
- ในเหล็กกล้า (ไม่ผสม)	มม.	10
การตัดมุมเฉียง (ซ้าย/ขวา) สูงสุด	°	45
น้ำหนักตามระเบียบการ-EPTA-Procedure 01:2014	กก.	2.5
ระดับความปลอดภัย		□/II
ค่าที่ใช้ให้ใช้กับแรงดันไฟฟ้าระบุ [U] 230 โวลต์ ค่าเหล่านี้อาจคิดแยกไปสำหรับแรงดันไฟฟ้าที่ต่ำกว่า และโมเดลที่สร้างสำหรับเฉพาะประเทศ		

36 | ภาษาไทย

การประกอบ

- ▶ **ดึงปลั๊กไฟออกจากเต้าเสียบก่อนปรับแต่งเครื่อง**

การเปลี่ยน/การใส่ใบเลื่อย

- ▶ **เมื่อประกอบใบเลื่อยเข้า ต้องสวมถุงมือป้องกัน**
เมื่อสัมผัสใบเลื่อยอาจได้รับอันตรายบาดเจ็บ

การเลือกใบเลื่อย

สรุปความเกี่ยวกับใบเลื่อยที่แนะนำให้ใช้กรุณาดูในตอนที่ 11 ของคำแนะนำในการปฏิบัติงานนี้ ให้ใช้เฉพาะใบเลื่อยที่มีก้านรูปตัว T เท่านั้น ใบเลื่อยควรมีขนาดยาวกว่าความหนาของการตัดที่ต้องการเพียงเล็กน้อยเท่าที่จำเป็น

ใช้ใบเลื่อยบางสำหรับการตัดโค้งแคบ

การใส่ใบเลื่อย (ดูภาพประกอบ A1)

ใส่ใบเลื่อย 8 (ฟันในทิศทางการตัด) เข้าในก้านขยับชัก 11 จนใบเลื่อยลงสลัก ก้านหนีบ SDS 12 จะติดตัวไปด้านหลัง โดยอัตโนมัติ และใบเลื่อยถูกล็อค อย่าใช้มีอกัดก้านหนีบ 12 ไปด้านหลัง มิฉะนั้นท่านอาจทำให้เครื่องมือไฟฟ้าเสียหายได้ ขณะใส่ใบเลื่อยต้องใส่ใจดูให้ส่วนหลังใบเลื่อยเข้าอยู่ในร่องของหัวจับใบเลื่อย 7

- ▶ **ตรวจสอบให้ใบเลื่อยเข้าที่อย่างมั่นคง** ใบเลื่อยที่ใส่ไว้หลวมๆ อาจหลุดออกมาและทำให้บาดเจ็บได้

การติดตั้งใบเลื่อยออก (ดูภาพประกอบ A2)

- ▶ **เมื่อต้องการติดตั้งใบเลื่อยออก ให้จับเครื่องในลักษณะที่เมื่อใบเลื่อยตัดออกมาจะไม่ทำให้บุคคลและสัตว์บาดเจ็บได้**

หมุนก้านหนีบ SDS 12 ไปข้างหน้าตามทิศทางลูกศร ใบเลื่อยจะถูกปลดและตัดออกมา

แผ่นป้องกันการฉีกที่ผิววัสดุ (ดูภาพประกอบ B)

แผ่นป้องกันการฉีกที่ผิววัสดุ 13 (อุปกรณ์ประกอบ) สามารถป้องกันไม่ให้วัสดุลွ่ยเป็นฝอยขณะเลื่อยไม้ แผ่นป้องกันการฉีกที่ผิววัสดุใช้ได้กับใบเลื่อยบางประเภทเท่านั้น และยังใช้ได้เฉพาะสำหรับการตัดมุม 0 องศาเท่านั้น เมื่อเลื่อยโดยใช้แผ่นป้องกันการฉีกที่ผิววัสดุร่วมด้วย ไม่ต้องเลื่อนแผ่นฐาน 5 ไปด้านหลังสำหรับการตัดขีดขอบ

กดแผ่นป้องกันการฉีกที่ผิววัสดุ 13 จากด้านล่างเข้าไปในแผ่นฐาน 5

การดูแลผู้/ชี้เลื่อย

- ▶ ผู้คนที่ได้จากวัสดุ เช่น เคลือบผิวที่มีสารตะกั่ว ไม้ยางประเภทเรซาด และโลหะ อาจเป็นอันตรายต่อสุขภาพ การสัมผัสหรือการหายใจเอาฝุ่นเข้าไปอาจทำให้เกิดปฏิกิริยาแพ้ฝุ่นและ/หรือนำมาซึ่งโรคติดเชื้อระบบหายใจแก่ผู้ใช้เครื่องหรือผู้ที่ยืนอยู่ใกล้เคียง
- ▶ ฝุ่นบางประเภท เช่น ฝุ่นไม้โอ๊ก หรือไม้บีช นับเป็นสารที่ทำให้เกิดมะเร็ง โดยเฉพาะอย่างยิ่งเมื่อผสมกับสารเติมแต่งเพื่อบำบัดไม้ (โครเมต ผลิตภัณฑ์รักษาเนื้อไม้) สำหรับวัสดุที่มีแอลเบสทอสต้องให้ผู้เชี่ยวชาญทำงานเท่านั้น
- จัดสถานที่ทำงานให้มีการระบายอากาศที่ดี
- ขอแนะนำให้สวมหน้ากากป้องกันการติดเชื้อที่มีระดับ: ไลกรอง P2

ปฏิบัติตามกฎข้อบังคับสำคัญอื่นๆ ที่เกี่ยวกับวัสดุชิ้นงานที่บังคับใช้ในประเทศของท่าน

- ▶ **ป้องกันการสะสมของฝุ่นในสถานที่ทำงาน** ฝุ่นสามารถถูกห้อยอย่างง่ายดาย

การปฏิบัติงาน**วิธีการปฏิบัติงาน**

- ▶ **ดึงปลั๊กไฟออกจากเต้าเสียบก่อนปรับแต่งเครื่อง**

การตั้งการเตะ

การเตะตั้งได้สี่ระดับ ทำให้สามารถปรับความเร็วการตัดประสิทธิภาพการตัด และแบบตัดให้เหมาะกับวัสดุชิ้นงานได้ดีที่สุด

การเตะสามารถตั้งได้ด้วยคันโยก 6 สับคันโยกได้แม้ขณะเครื่องกำลังทำงานอยู่

ขั้น 0	ไม่เตะ
ขั้น I	เตะน้อย
ขั้น II	เตะปานกลาง
ขั้น III	เตะมาก

ค่าระดับการเตะที่ดีที่สุดสำหรับงานตัดแต่ละงาน สามารถกำหนดได้จากการฝึกปฏิบัติ ข้อแนะนำต่อไปนี้จะสามารถนำมาใช้ได้:

- ยังต้องการให้ได้ขอบตัดที่ละเอียดและสะอาดเพียงใด ยังต้องเลือกการเตะระดับที่น้อยลง (หรือปิดสวิตช์การเตะ)
- สำหรับวัสดุบาง เช่น โลหะแผ่น ให้ปิดสวิตช์การเตะ
- สำหรับวัสดุแข็ง เช่น เหล็ก ให้เลื่อยด้วยระดับการเตะน้อย
- สำหรับวัสดุนุ่ม และเมื่อเลื่อยตามทิศทางไม้ ให้เลื่อยด้วยระดับการเตะมากที่สุด

การปรับมุมตัด (ดูภาพประกอบ C)

คลายสกรู 15 ออก และเลื่อนแผ่นฐาน 5 เบาๆ ไปในทิศทางสายไฟฟ้า

บนแผ่นฐานมีร่องบากทั้งซ้ายและขวาที่ 0 และ 45 องศา เพื่อใช้ปรับมุมบากให้ได้เพียงตรง หมุนแผ่นฐาน 5 ไปยังตำแหน่งที่ต้องการตามมาตรวัด 14 มุมบากอื่นๆ สามารถปรับได้โดยใช้ไม้โปรแทรกเตอร์

จากนั้น ดันแผ่นฐาน 5 ไปในทิศใบเลื่อย 8 จนสุด

ขันสกรู 15 กลับเข้าให้แน่น

สำหรับการตัดมุมมาก ไม่สามารถนำแผ่นป้องกันการฉีกที่ผิววัสดุ 13 มาใส่ร่วมด้วย

การเลื่อนแผ่นฐาน (ดูภาพประกอบ C)

เมื่อต้องการเลื่อยขีดขอบ ให้เลื่อนแผ่นฐาน 5 ไปด้านหลัง คลายสกรู 15 ออก และเลื่อนแผ่นฐาน 5 ไปทางสายไฟฟ้าจนสุด

ขันสกรู 15 กลับเข้าให้แน่น

เมื่อแผ่นฐาน 5 ถูกเลื่อนแล้ว จะสามารถเลื่อยได้เฉพาะเมื่อมีมุมบาก 0 องศาเท่านั้น ไม่สามารถนำแผ่นป้องกันการฉีกที่ผิววัสดุ 13 มาใช้ร่วมด้วย

เริ่มต้นปฏิบัติงาน

- ▶ ให้สังเกตแรงดันไฟฟ้า! แรงดันไฟฟ้าจากแหล่งจ่ายไฟฟ้าต้องมีค่าตรงกับค่าแรงดันไฟฟ้าที่ระบุไว้บนแผ่นป้ายกำกับเครื่อง

การเปิด-ปิดเครื่อง

เปิดเครื่องทำงาน โดยกดสวิตช์เปิด-ปิด 3

ล็อคสวิตช์เปิด-ปิด 3 โดยกดสวิตช์ค้างไว้และดันปุ่มล็อคเครื่องทำงาน 1 ไปทางซ้ายหรือขวา

ปิดเครื่อง โดยปล่อยนิ้วจากสวิตช์เปิด-ปิด 3 หากสวิตช์เปิด-ปิด 3 ถูกล็อค ให้กดสวิตช์เปิด-ปิดก่อน แล้วจึงปล่อยนิ้ว

การควบคุม/การตั้งความเร็วรอบล่วงหน้า

ท่านสามารถควบคุมอัตราเร็วของเครื่องที่เปิดสวิตช์ไว้ได้อย่างต่อเนื่อง โดยเพิ่มหรือลดแรงกดบนสวิตช์เปิด-ปิด 3 เมื่อกดบนสวิตช์เปิด-ปิด 3 เบาๆ จะได้ความเร็วรอบชักขึ้นลงต่ำ ถ้ากดแรงขึ้น ความเร็วรอบชักขึ้นลงก็จะเพิ่มขึ้นด้วย

หากสวิตช์เปิด-ปิด 3 ถูกล็อคไว้ จะไม่สามารถลดความเร็วรอบชักขึ้นลงได้

ความเร็วรอบชักขึ้นลงสามารถตั้งไว้ล่วงหน้าด้วยปุ่มเลือกอัตรารอบ-ชัก-เร็ว ล่วงหน้า 2 และเปลี่ยนค่าได้ขณะเครื่องกำลังเดินอยู่

เกณฑ์จังหวะชักที่ต้อใช้ขึ้นอยู่กับประเภทวัสดุชิ้นงาน และเงื่อนไขการทำงาน การทดลองภาคปฏิบัติจะช่วยให้ได้เกณฑ์จังหวะที่ดีที่สุด

ขอแนะนำให้ลดอัตราเร็วชักลงขณะใบเลื่อยขบเข้าในวัสดุชิ้นงาน และเมื่อเลื่อยพลาสติกและอะลูมิเนียม

หลังจากใช้งานเครื่องด้วยความเร็วรอบชักขึ้นลงต่ำเป็นระยะเวลาสั้น เครื่องอาจร้อนขึ้นมาก ให้ถอดใบเลื่อยออกจากเครื่อง และทำให้เครื่องเย็นลงโดยปล่อยให้เครื่องเดินด้วยความเร็วรอบชักขึ้นสูงสุดนานประมาณ 3 นาที

ข้อแนะนำในการทำงาน

- ▶ **ดึงปลั๊กไฟออกจากเต้าเสียบก่อนปรับแต่งเครื่อง**
- ▶ **หากเลื่อยชิ้นงานขนาดเล็กและบาง ให้ใช้อุปกรณ์ค้ำยันหรือโต๊ะเลื่อย (อุปกรณ์ประกอบ) เสมอ**

ตรวจดูไม้ ไม้อัด วัสดุก่อสร้าง และอื่นๆ เพื่อหาสิ่งแปลกปลอม เช่น ตะปู สกรู หรือสิ่งคล้ายคลึง และหากจำเป็นให้ถอดสิ่งแปลกปลอมนั้นออกไป

กันชน

กันชน 9 ที่ติดอยู่กับตัวเครื่องช่วยป้องกันไม่ให้สัมผัสกับใบเลื่อยโดยไม่ตั้งใจขณะทำงาน และต้องไม่ถอดออก

การจ้วงตัด (คุณภาพประกอบ D)

- ▶ **กระบวนการจ้วงตัดเหมาะสำหรับนำมาใช้กับวัสดุเนื้ออ่อน เช่น ไม้ แผ่นกระดาษยิปซัม (plaster board) หรือวัสดุคล้ายคลึงเท่านั้น! อย่าเลื่อยวัสดุที่เป็นโลหะด้วยกระบวนการจ้วงตัด!**

สำหรับการจ้วงตัด ต้องใช้เฉพาะใบเลื่อยขนาดสั้นเท่านั้น การจ้วงตัดกระทำได้เมื่อดึงมุมมากไว้ที่ตำแหน่ง 0 องศาเท่านั้น

วางเครื่องโดยให้ขอบหน้าของแผ่นฐาน 5 จดลงบนชิ้นงาน แต่ไม่ให้ใบเลื่อย 8 ตะชิ้นงาน และเปิดสวิตช์ สำหรับเครื่องที่มีระบบควบคุมอัตราเร็วชัก ให้เลือกอัตราชักขึ้นลงสูงสุด จับเครื่องเอียงเข้าหาชิ้นงานอย่างมั่นคง จ้วงใบเลื่อยเข้าในชิ้นงานอย่างช้าๆ

เมื่อแผ่นฐาน 5 วางเต็มทับบนพื้นผิววัสดุแล้ว ให้เลื่อยตามเส้นตัดต่อไป

สารหล่อเย็น/น้ำมันหล่อลื่น

เมื่อเลื่อยโลหะ ให้ใช้โลมสารหล่อเย็น/น้ำมันหล่อลื่นตามรอยตัดเนื่องจากวัสดุร้อนขึ้น

การบำรุงรักษาและการบริการ

การบำรุงรักษาและการทำความสะอาด

- ▶ **ดึงปลั๊กไฟออกจากเต้าเสียบก่อนปรับแต่งเครื่อง**
- ▶ **เพื่อให้ทำงานได้อย่างถูกต้องและปลอดภัย ต้องรักษาเครื่องและช่องระบายอากาศให้สะอาดอยู่เสมอ**

เมื่อจำเป็นต้องเปลี่ยนสายไฟฟ้า ให้ส่งเครื่องให้บริษัท มีชหรือศูนย์บริการลูกค้าสำหรับเครื่องมือไฟฟ้า มีช ที่ได้รับมอบหมายทำการเปลี่ยนให้ เพื่อหลีกเลี่ยงอันตรายด้านความปลอดภัย

ทำความสะอาดที่จับ ใบเลื่อยเป็นประจำ สำหรับการทำความสะอาด ให้ถอดใบเลื่อยออกจากตัวเครื่อง และจับเครื่องเกาะบนพื้นราบเบาๆ

หากเครื่องสกปรกมาก เครื่องอาจทำงานผิดปกติได้ ดังนั้นอย่าเลื่อยวัสดุที่ให้มีมาจากทางด้านล่างหรือเลื่อยเหนือศีรษะ

- ▶ **หากใช้เครื่องทำงานหนัก ให้ใช้อุปกรณ์ดูดฝุ่นออกเท่าที่จะทำได้เสมอ เป่าช่องระบายอากาศบ่อยๆ และติดตั้งอุปกรณ์ตัดวงจรเมื่อเกิดการรั่วไหลของไฟฟ้าลงดิน แบบพกพา (PRCD) เมื่อทำงานกับโลหะ ฝุ่นซึ่งมีคุณสมบัตินำความร้อนและกระแสไฟฟ้าอาจสะสมอยู่ข้างในเครื่องมือไฟฟ้า ฉนวนป้องกันทั้งหมดของเครื่องมือไฟฟ้าอาจได้รับผลเสีย**

หล่อลื่นหัวจับใบเลื่อย 7 เป็นครั้งคราวโดยการหยอดน้ำมัน ตรวจสอบหัวจับใบเลื่อย 7 เป็นประจำ หากสึกหรอ ต้องส่งให้ศูนย์บริการหลังการขายของ มีช ที่ได้รับมอบหมายเปลี่ยนใหม่ให้

การบริการหลังการขายและคำแนะนำการใช้งาน

ศูนย์บริการหลังการขายของเรายินดีตอบคำถามเกี่ยวกับการบำรุงรักษาและการซ่อมแซมผลิตภัณฑ์ของท่าน รวมทั้งชิ้นส่วนอะไหล่ ภาพแยกชิ้นประกอบและข้อมูลเกี่ยวกับชิ้นส่วนอะไหล่ยังสามารถดูได้ใน:

www.bosch-pt.com

ทีมงานให้คำแนะนำการใช้งานของ มีช ยินดีตอบคำถามเกี่ยวกับผลิตภัณฑ์ของเราและอุปกรณ์ประกอบของผลิตภัณฑ์ เมื่อต้องการสอบถามและสั่งซื้ออะไหล่ กรุณาแจ้งหมายเลขสินค้า 10 หลักบนแผ่นป้ายรุ่นของผลิตภัณฑ์ทุกครั้ง

38 | Bahasa Indonesia

ไทย

บริษัท โรเบิร์ต บ็อสช์ จำกัด
ชั้น 11 ตึกลิเบอร์ตี สแควร์
287 ถนนสีลม บางรัก
กรุงเทพฯ 10500
โทรศัพท์ 02 6393111
โทรสาร 02 2384783
บริษัท โรเบิร์ต บ็อสช์ จำกัด ตู้ ปณ. 2054
กรุงเทพฯ 10501 ประเทศไทย
www.bosch.co.th

ศูนย์บริการซ่อมและฝึกอบรม บ็อสช์
อาคาร ลานชาลาทาวเวอร์ ชั้น G ห้องเลขที่ 2
บ้านเลขที่ 10/11 หมู่ 16
ถนนศรีนครินทร์
ตำบลบางแก้ว อำเภอบางพลี
จังหวัดสมุทรปราการ 10540
ประเทศไทย
โทรศัพท์ 02 7587555
โทรสาร 02 7587525

การกำจัดขยะ

เครื่องมือ อุปกรณ์ประกอบ และที่บ่อ ต้องนำไปแยกประเภท
วัสดุเพื่อนำกลับมาใช้ใหม่โดยไม่ทำลายสภาพแวดล้อม



อย่าทิ้งเครื่องมือไฟฟ้าลงในขยะบ้าน!

ขอสงวนสิทธิ์ในการเปลี่ยนแปลงโดยไม่ต้องแจ้งล่วงหน้า

Bahasa Indonesia**Petunjuk-Petunjuk untuk Keselamatan Kerja****Petunjuk-Petunjuk Umum untuk Perkakas Listrik**

⚠ PERHATIKANLAH Bacalah semua petunjuk-petunjuk untuk keselamatan kerja dan petunjuk-petunjuk untuk penggunaan.

Kesalahan dalam menjalankan petunjuk-petunjuk untuk keselamatan kerja dan petunjuk-petunjuk untuk penggunaan dapat mengakibatkan kontak listrik, kebakaran dan/atau luka-luka yang berat.

Simpanlah semua petunjuk-petunjuk untuk keselamatan kerja dan petunjuk-petunjuk lainnya untuk penggunaan di masa depan.

Kata „perkakas listrik“ yang disebutkan di dalam petunjuk-petunjuk untuk keselamatan kerja adalah sebutan untuk perkakas listrik pakai listrik jaringan (dengan kabel) dan untuk perkakas listrik tenaga baterai (tanpa kabel listrik).

Keselamatan kerja di tempat kerja

- ▶ **Jagalah supaya tempat kerja selalu bersih dan terang.** Tempat kerja yang tidak rapi atau tidak terang dapat mengakibatkan terjadinya kecelakaan.
- ▶ **Janganlah menggunakan perkakas listrik di tempat di mana dapat terjadi ledakan, di mana ada cairan, gas atau debu yang mudah terbakar.** Perkakas listrik dapat memancarkan bunga api yang lalu mengakibatkan debu atau uap terbakar.
- ▶ **Selama menggunakan perkakas listrik, jauhkan anak-anak dan orang-orang lain dari tempat kerja.** Jika konsentrasi terganggu, bisa jadi Anda tidak bisa mengendalikan perkakas listrik tersebut.

Keamanan listrik

- ▶ **Steker dari perkakas listrik harus cocok pada stopkontak. Janganlah sekali-kali merubah steker. Janganlah menggunakan steker perantara bersama dengan perkakas listrik yang mempunyai hubungan arde.** Steker yang tidak dirubah dan stopkontak yang cocok mengurangi bahaya terjadinya kontak listrik.
- ▶ **Jagalah supaya badan Anda tidak bersentuhan dengan permukaan yang mempunyai hubungan arde, misalnya pipa-pipa, radiator pemanas ruangan, kompor listrik dan lemari es.** Ada risiko besar terjadi kontak listrik, jika badan Anda mempunyai hubungan arde.
- ▶ **Jagalah supaya perkakas listrik tidak kena hujan atau menjadi basah.** Air yang masuk ke dalam perkakas listrik menambah risiko terjadinya kontak listrik.
- ▶ **Janganlah menyalahgunakan kabel listrik untuk mengangkat dan menggantungkan perkakas listrik atau untuk menarik steker dari stopkontak. Jagalah supaya kabel listrik tidak kena panas, minyak, pinggirannya yang tajam atau bagian-bagian perkakas yang bergerak.** Kabel listrik yang rusak atau tersangkut menambah risiko terjadinya kontak listrik.
- ▶ **Jika Anda menggunakan perkakas listrik di luar gedung, gunakanlah hanya kabel sambungan yang juga cocok untuk pemakaian di luar gedung.** Penggunaan kabel sambungan yang cocok untuk pemakaian di luar gedung mengurangi risiko terjadinya kontak listrik.
- ▶ **Jika penggunaan perkakas listrik di tempat yang basah tidak bisa dihindarkan, gunakanlah sakelar pengaman terhadap arus penyimpangan.** Penggunaan sakelar pengaman terhadap arus penyimpangan mengurangi risiko terjadinya kontak listrik.

Keselamatan kerja

- ▶ **Berhati-hatilah selalu, perhatikanlah apa yang Anda kerjakan dan bekerjalah dengan seksama jika menggunakan perkakas listrik. Janganlah menggunakan perkakas listrik, jika Anda capai atau berada di bawah pengaruh narkoba, minuman keras atau obat.** Jika Anda sekejap mata saja tidak berhati-hati sewaktu menggunakan perkakas listrik, dapat terjadi luka-luka berat.

- ▶ **Pakailah pakaian dan sarana pelindung dan pakailah selalu kaca mata pelindung.** Dengan memakai pakaian dan sarana pelindung, misalnya kedok anti debu (masker), sepatu tertutup yang tidak licin, helm pelindung atau pemalut telinga sesuai dengan pekerjaan yang dilakukan dengan perkakas listrik, bahaya terjadinya luka-luka dapat dikurangi.
 - ▶ **Jagalah supaya perkakas listrik tidak dihidupkan secara tidak disengaja. Perhatikan bahwa perkakas listrik dalam penyetelan mati, jika steker disambungkan pada pengadaan listrik dan/atau baterai, jika perkakas listrik diangkat atau dibawa.** Jika selama mengangkat perkakas listrik jari Anda berada pada tombol untuk menghidupkan dan mematikan atau perkakas listrik yang dalam penyetelan hidup disambungkan pada listrik, dapat terjadi kecelakaan.
 - ▶ **Lepaskan semua perkakas-perkakas penyetelan atau kunci-kunci pas sebelum perkakas listrik dihidupkan.** Perkakas atau kunci yang berada di dalam bagian yang berputar dapat mengakibatkan terjadinya luka-luka.
 - ▶ **Aturkan badan sedemikian sehingga Anda bisa bekerja dengan aman. Berdirilah secara mantap dan jagalah selalu keseimbangan.** Dengan demikian Anda bisa mengendalikan perkakas listrik dengan lebih baik, jika terjadi sesuatu dengan tiba-tiba.
 - ▶ **Pakailah pakaian yang cocok. Janganlah memakai pakaian yang longgar atau perhiasan. Jagalah supaya rambut, pakaian dan sarung tangan tidak masuk dalam bagian-bagian perkakas yang bergerak.** Pakaian yang longgar, rambut panjang atau perhiasan dapat tersangkut dalam bagian perkakas yang bergerak.
 - ▶ **Jika ada kemungkinan untuk memasang sarana penghisapan dan penampungan debu, perhatikan bahwa sarana-sarana ini telah dipasangkan dan digunakan dengan betul.** Penggunaan sarana penghisapan bisa mengurangi bahaya yang disebabkan debu.
- Penggunaan dan penanganan perkakas listrik dengan seksama**
- ▶ **Janganlah membebankan perkakas listrik terlalu berat. Gunakan selalu perkakas listrik yang cocok untuk pekerjaan yang dilakukan.** Dengan perkakas listrik yang cocok Anda bekerja lebih baik dan lebih aman dalam batas-batas kemampuan yang ditentukan.
 - ▶ **Janganlah menggunakan perkakas listrik yang tombolnya rusak.** Perkakas listrik yang tidak bisa dihidupkan atau dimatikan, berbahaya dan harus direparasikan.
 - ▶ **Tariklah steker dari stopkontak dan/atau keluarkan baterai, sebelum Anda melakukan penyetelan pada perkakas listrik, mengganti alat-alat kerja atau sebelum menyimpan perkakas listrik.** Tindakan keselamatan kerja ini mengurangi bahaya perkakas listrik hidup secara tidak disengaja.
- ▶ **Simpanlah perkakas listrik yang tidak digunakan di luar jangkauan anak-anak. Janganlah mengizinkan orang-orang yang tidak mengenal perkakas listrik ini atau yang belum membaca petunjuk-petunjuk ini, menggunakan perkakas listrik ini.** Perkakas listrik bisa menjadi berbahaya, jika digunakan oleh orang-orang yang tidak mengenalnya.
 - ▶ **Rawatlah perkakas listrik dengan seksama. Periksalah, apakah bagian-bagian perkakas listrik yang bergerak berfungsi dengan baik dan tidak tersangkut, apakah ada bagian-bagian yang patah atau rusak sedemikian, sehingga dapat mempengaruhi jalannya perkakas listrik. Biarkan bagian-bagian perkakas yang rusak direparasikan, sebelum Anda mulai menggunakan perkakas listrik.** Banyak kecelakaan terjadi karena perkakas listrik tidak dirawat dengan seksama.
 - ▶ **Perhatikan supaya alat-alat pemotong selalu tajam dan bersih.** Alat-alat pemotong dengan mata-mata pemotong yang tajam dan dirawat dengan seksama tidak mudah tersangkut dan lebih mudah dikendalikan.
 - ▶ **Gunakanlah semua perkakas listrik, aksesoris, alat-alat kerja dsb. sesuai dengan petunjuk-petunjuk. Perhatikan syarat-syarat kerja dan macam pekerjaan yang dilakukan.** Penggunaan perkakas listrik untuk macam pekerjaan yang tidak cocok dengan kegunaannya bisa mengakibatkan keadaan yang berbahaya.
- Servis**
- ▶ **Biarkan perkakas listrik Anda direparasikan hanya oleh orang-orang ahli yang berpengalaman dan hanya dengan menggunakan suku cadang yang asli.** Dengan demikian terjamin keselamatan kerja dengan perkakas listrik ini secara berkesinambungan.
- Petunjuk-petunjuk untuk keselamatan kerja untuk mesin gergaji**
- ▶ **Peganglah perkakas listrik hanya pada pegangan yang terisolir jika Anda melakukan pekerjaan yang memungkinkan alat pemotong ini menjalin kontak dengan kabel listrik yang tidak terlihat atau kabelnya sendiri.** Alat kerja yang bersentuhan dengan kabel yang bertegangan dapat mengakibatkan bagian-bagian logam dari perkakas listrik juga ikut dialiri tegangan arus dan mengakibatkan terjadinya kontak listrik.
 - ▶ **Jauhkan tangan-tangan Anda dari tempat pengergajian. Janganlah menjangkau di bawah benda yang dikerjakan.** Persentuhan dengan mata gergaji bisa mengakibatkan luka-luka.
 - ▶ **Hidupkan dahulu perkakas listrik, baru kemudian perkakas listrik didekatkan pada benda yang dikerjakan.** Jika tidak demikian ada bahaya perkakas listrik membanting jika alat kerja tersangkut dalam benda yang dikerjakan.
 - ▶ **Selama mengergaji, perhatikanlah supaya seluruh permukaan pelat dasar 5 berada pada benda yang dikerjakan.** Mata gergaji yang tersangkut bisa patah atau mengakibatkan terjadinya bantingan.

40 | Bahasa Indonesia

- ▶ **Setelah pekerjaan menggergaji rampung, matikan perkakas listrik dan tunggulah sampai mata gergaji berhenti bergerak, baru setelah itu mata gergaji dikeluarkan dari jalur pemotongan.** Dengan demikian bisa dihindarkan terjadinya bantingan dan perkakas listrik bisa diletakkan dengan aman.
- ▶ **Gunakanlah hanya mata gergaji-mata gergaji yang tidak rusak dan mulus.** Mata gergaji-mata gergaji yang melengkung atau tidak tajam bisa patah, membuat potongan tidak bagus atau mengakibatkan bantingan.
- ▶ **Setelah perkakas listrik dimatikan, janganlah meremkan mata gergaji dengan cara menekan pada sisinya.** Ini bisa mengakibatkan mata gergaji menjadi rusak, patah atau bisa mengakibatkan bantingan.
- ▶ **Gunakanlah alat detektor logam yang cocok untuk mengukur kabel dan pipa yang tidak terlihat atau lubang perusahaan pengadaan setempat.** Sentuhan dengan kabel-kabel listrik dapat mengakibatkan api dan kontak listrik. Pipa gas yang dirusak dapat mengakibatkan ledakan. Pipa air yang dirusak mengakibatkan kerusakan barang-barang atau dapat mengakibatkan kontak listrik.
- ▶ **Usahakan supaya benda yang dikerjakan tidak goyang.** Benda yang ditahan dalam alat pemegang atau bais lebih mantap daripada benda yang dipegang dengan tangan.
- ▶ **Sebelum meletakkan perkakas listrik, tunggulah sampai perkakas berhenti memutar.** Alat kerja bisa tersangkut dan membuat perkakas listrik tidak bisa dikendalikan.

Penjelasan tentang produk dan daya



Bacalah semua petunjuk-petunjuk untuk keselamatan kerja dan petunjuk-petunjuk untuk penggunaan. Kesalahan dalam menjalankan petunjuk-petunjuk untuk keselamatan kerja dan petunjuk-petunjuk untuk penggunaan dapat mengakibatkan kontak listrik, kebakaran dan/atau luka-luka yang berat.

Penggunaan alat

Perkakas listrik ini cocok untuk pemotongan dan pemotongan dalam dengan ketentuan harus diletakkan secara langsung di atas permukaan benda yang hendak dikerjakan dari kayu, bahan sintetik, logam, pelat-pelat keramik dan karet. Perkakas listrik ini bagus untuk pemotongan lurus dan berliku-liku dengan sudut pemotongan hingga 45°. Perhatikanlah selalu petunjuk-petunjuk untuk penggunaan mata gergaji.

Bagian-bagian pada gambar

Nomor-nomor dari bagian-bagian perkakas pada gambar sesuai dengan gambar perkakas listrik pada halaman bergambar.

- 1 Pengunci tombol untuk menghidupkan dan mematikan
- 2 Roda untuk penyetelan pendahuluan jumlah langkah
- 3 Tombol untuk menghidupkan dan mematikan
- 4 Kunci mur dalam

- 5 Pelat dasar
- 6 Tuas pengatur keayunan
- 7 Rol pengendalian
- 8 Mata gergaji*
- 9 Pelindung terhadap singgungan
- 10 Pegangan (genggaman terisolir)
- 11 Stang seher
- 12 Tuas SDS untuk melepaskan kunci mata gergaji
- 13 Alat untuk menghindari permukaan benda yang dipotong terkupas
- 14 Skala sudut potong
- 15 Baut

*Aksesori yang ada pada gambar atau yang dijelaskan, tidak termasuk pasokan standar. Semua aksesori yang ada bisa Anda lihat dalam program aksesori Bosch.

Data teknis

Mesin Jigsaw	GST 8000 E	
Nomor model		3 601 E8H 0..
Masukan nominal	W	710
Banyaknya langkah tanpa beban n_0	min ⁻¹	800–3100
Langkah	mm	20
Daya pemotongan maks.		
– kayu	mm	80
– aluminium	mm	20
– baja (murni)	mm	10
Pemotongan serong (kiri/kanan) maks.	°	45
Berat sesuai dengan EPTA-Procedure 01:2014	kg	2,5
Klasifikasi keamanan		□/II

Data-data berlaku untuk tegangan nominal [U] 230 V. Pada tegangan yang lebih rendah dan pada model khusus mancanegara data-data ini bisa berlainan.

Cara memasang

- ▶ **Sebelum mulai dengan pekerjaan pada perkakas listrik, tariklah steker dari stopkontak.**

Memasang/mengganti mata gergaji

- ▶ **Pakailah sarung tangan pelindung pada waktu memasang mata gergaji.** Bisa terjadi luka-luka jika mata gergaji tersentuh.

Memilih mata gergaji

Satu ikhtisar dari mata gergaji yang dianjurkan ada pada bagian akhir dari petunjuk-petunjuk ini. Pasangkan hanya mata gergaji dengan gagang nok satu (gagang T). Mata gergaji sebaiknya tidak lebih panjang daripada yang diperlukan untuk pemotongan yang hendak dikerjakan.

Untuk menggergaji belokan-belokan patah, gunakanlah mata gergaji yang tidak lebar.

Memasang mata gergaji (lihat gambar A1)

Masukkan mata gergaji **8** dengan gigi-gigi dalam arah pemotongan sampai mengancing ke dalam stang seher **11**. Tuas SDS **12** bergerak ke belakang secara otomatis, dan mata gergaji terkunci. Janganlah menekan tuas **12** dengan tangan Anda ke belakang, Anda dapat merusakkan perkakas listrik oleh karenanya.

Perhatikanlah pada waktu memasang mata gergaji, supaya punggung mata gergaji masuk dalam alur dari rol pengendalian **7**.

- **Periksalah apakah kedudukan mata gergaji sudah kencang.** Mata gergaji yang tidak kencang duduknya bisa meleset ke luar dan lalu melukai Anda.

Melepaskan mata gergaji (lihat gambar A2)

- **Pada waktu melepaskan mata gergaji, peganglah perkakas listrik sedemikian sehingga orang atau binatang tidak terluka oleh mata gergaji yang terlompat ke luar.**

Putarkan tuas SDS **12** dalam arah pelindung terhadap singgungan **9** ke depan. Mata gergaji terlepas dan dikeluarkan.

Alat untuk menghindari permukaan benda yang dipotong terkupas (lihat gambar B)

Alat **13** (aksesori) bisa menghindari permukaan benda yang dikerjakan terkupas pada waktu menggergaji kayu. Alat untuk menghindari permukaan benda yang dipotong terkupas hanya bisa digunakan bersama tipe-tipe mata gergaji tertentu dan pada sudut pemotongan 0°. Pelat dasar **5** pada waktu menggergaji dengan alat untuk menghindari permukaan benda yang dipotong terkupas tidak boleh dipindahkan ke belakang untuk pemotongan dekat pinggiran. Tekankan alat untuk menghindari permukaan benda yang dipotong terkupas **13** dari bawah ke dalam pelat dasar **5**.

Penghisapan debu/serbuk

- Debu dari bahan-bahan seperti misalnya cat yang mengandung timbel (timah hitam), beberapa jenis kayu, bahan mineral dan logam bisa berbahaya bagi kesehatan. Menyentuh atau menghirup debu-debu ini bisa mengakibatkan reaksi alergi dan/atau penyakit saluran pernafasan dari orang yang menggunakan mesin atau orang yang berada di dekatnya. Beberapa debu tertentu seperti misalnya debu kayu pohon quercus atau pohon fagus silvatica dianggap bisa mengakibatkan penyakit kanker, terutama dalam campuran dengan bahan-bahan tambahan untuk pengolahan kayu (kromat, obat pengawet kayu). Bahan-bahan yang mengandung asbes hanya boleh dikerjakan oleh orang-orang yang ahli.
 - Perhatikanlah supaya ada pertukaran udara di tempat kerja.
 - Kami anjurkan supaya Anda memakai kedok anti debu dengan saringan (filter) kelas P2.

Taatilah peraturan-peraturan untuk bahan-bahan yang dikerjakan yang berlaku di negara Anda.

- **Hindari debu yang banyak terkumpul di tempat kerja.** Debu dapat menyulut dengan mudahnya.

Penggunaan**Macam penggunaan**

- **Sebelum mulai dengan pekerjaan pada perkakas listrik, tariklah steker dari stopkontak.**

Menyetel keayunan

Keayunan yang bisa disetelkan pada empat tingkatan membuat keberhasilan menggergaji, daya pemotongan dan hasil pemotongan bisa disesuaikan secara optimal pada bahan yang dikerjakan.

Dengan tuas **6** bisa disetelkan keayunan, juga selama perkakas listrik sedang berjalan.

Tingkatan 0	tanpa keayunan
Tingkatan I	keayunan kecil
Tingkatan II	keayunan menengah
Tingkatan III	keayunan besar

Tingkatan keayunan yang paling cocok dengan macam penggunaan bisa didapatkan dengan cara uji coba.

Perhatikan saran-saran berikut:

- Setelkan tingkatan keayunan yang semakin rendah atau matikan keayunan, jika tepi pemotongan harus menjadi lebih halus dan rata.
- Jika mengerjakan bahan-bahan yang tipis (misalnya pelat-pelat), keayunan harus dimatikan.
- Jika mengerjakan bahan-bahan yang keras (misalnya baja), keayunan harus kecil.
- Jika mengerjakan bahan-bahan lunak dan pemotongan kayu mengikuti serat, setelkan keayunan yang maksimal.

Menyetel sudut pemotongan (lihat gambar C)

Kendorkan baut **15** dan geserkan pelat dasar **5** sedikit dalam arah ke kabel listrik.

Untuk menyetelkan sudut yang tepat, pelat dasar dilengkapi dengan pegangan pada 0° dan 45° di kanan dan kiri. Putarkan pelat dasar **5** sesuai skala **14** ke kedudukan yang diperlukan. Sudut pemotongan lainnya bisa disetelkan dengan mistar sudut.

Dorongan setelah itu pelat dasar **5** dalam arah mata gergaji **8** sampai batas.

Kencangkan kembali baut **15**.

Alat untuk menghindari permukaan benda yang dipotong terkupas **13** tidak bisa digunakan pada waktu pemotongan yang berliku-liku.

Memindahkan pelat dasar (lihat gambar C)

Untuk pemotongan dekat pinggiran, pelat dasar **5** bisa dipindahkan ke belakang.

Kendorkan baut **15** dan geserkan pelat dasar **5** sampai batas dalam arah ke kabel listrik.

Kencangkan kembali baut **15**.

Momotong dengan pelat dasar **5** yang dipindahkan hanya mungkin dengan sudut potong sebesar 0°. Alat untuk menghindari permukaan benda yang dipotong terkupas **13** tidak boleh digunakan.

Cara penggunaan

- ▶ **Perhatikan tegangan jaringan listrik! Tegangan jaringan listrik harus sesuai dengan tegangan listrik yang tercantum pada label tipe perkakas listrik.**

Menghidupkan/mematikan

Untuk **menghidupkan** perkakas listrik, tekan tombol untuk menghidupkan dan mematikan **3**.

Untuk **mengunci** tombol untuk menghidupkan dan mematikan **3**, tahan tekanan dan dorongkan pengunci **1** ke kanan atau kiri.

Untuk **mematikan** perkakas listrik, lepaskan tombol **3**. Jika tombol **3** terkunci, tekan tombol ini dahulu, lalu tombol ini dilepaskan.

Mengendalikan/penyetelan pendahuluan jumlah langkah

Anda bisa menyetelkan jumlah langkah tanpa tingkatan pada perkakas listrik yang sedang berjalan, tergantung dari besarnya tekanan pada tombol untuk menghidupkan dan mematikan **3**.

Tekanan yang ringan pada tombol **3** mengakibatkan jumlah langkah yang rendah. Jika tekanan ditambah, jumlah langkah naik.

Jika tombol **3** dikunci, jumlah langkah tidak bisa dikurangi.

Dengan roda untuk penyetelan pendahuluan jumlah langkah **2** Anda bisa menyetelkan jumlah langkah sebelum mulai dengan pekerjaan dan bisa merubahnya selama pekerjaan.

Jumlah langkah yang diperlukan tergantung dari bahan yang dikerjakan dan syarat-syarat kerja dan bisa didapatkan dengan cara uji coba.

Kami anjurkan supaya jumlah langkah dikurangi pada waktu mengenakan mata gergaji pada benda yang dikerjakan serta selama memotong bahan sintetik dan aluminium.

Jika perkakas listrik digunakan untuk waktu yang lama dengan jumlah langkah yang rendah, perkakas listrik bisa menjadi sangat panas. Lepaskan mata gergaji dan biarkan perkakas listrik berjalan pada jumlah langkah maksimal selama kira-kira 3 menit supaya menjadi dingin.

Petunjuk-petunjuk untuk pemakaian

- ▶ **Sebelum mulai dengan pekerjaan pada perkakas listrik, tariklah steker dari stopkontak.**
- ▶ **Jika mengerjakan benda-benda yang kecil atau tipis, gunakan selalu daya dasar yang stabil atau meja gergaji (aksesori).**

Sebelum menggergaji kayu, pelat serbuk kayu, bahan bangunan dsb., periksalah apakah ada benda-benda lainnya seperti paku, sekrup dsb. dan keluarkan jika ada.

Pelindung terhadap singgungan

Pelindung terhadap singgungan **9** yang berada pada rumah motoran membuat supaya kita tidak menyinggung mata gergaji secara tidak disengaja selama pekerjaan, dan pelindung ini tidak boleh dilepaskan.

Pemotongan dalam (lihat gambar D)

- ▶ **Hanya bahan-bahan yang lunak seperti kayu, pelat gips berlapis karton dsb. yang boleh digergaji dengan cara pemotongan dalam! Janganlah menggergaji bahan logam dengan cara pemotongan dalam!**

Untuk pemotongan dalam gunakanlah hanya mata gergaji yang pendek. Pemotongan dalam hanya bisa dilakukan dengan sudut pemotongan 0°.

Letakkan pinggiran depan dari pelat dasar **5** dari perkakas listrik pada benda yang hendak dikerjakan, – perhatikan bahwa mata gergaji **8** tidak kena pada benda yang hendak dikerjakan –, dan hidupkan perkakas listrik. Pada perkakas listrik dengan pengendalian jumlah langkah, setelkan jumlah langkah maksimal. Tekankan perkakas listrik keras-keras pada benda yang akan dikerjakan dan biarkan mata gergaji masuk perlahan-lahan.

Setelah seluruh permukaan pelat dasar **5** berada pada benda yang dikerjakan, teruskan menggergaji pada garis pemotongan.

Bahan pendingin/pelumas

Jika Anda menggergaji logam, terjadi panas sehingga sebaiknya Anda mengoleskan bahan pendingin atau bahan pelumas di garis potongan.

Rawatan dan servis

Rawatan dan kebersihan

- ▶ **Sebelum mulai dengan pekerjaan pada perkakas listrik, tariklah steker dari stopkontak.**
- ▶ **Perkakas listrik dan lubang ventilasi harus selalu dibersihkan supaya perkakas bisa digunakan dengan baik dan aman.**

Jika kabel listrik harus digantikan, pekerjaan ini harus dilakukan oleh Bosch atau Service Center untuk perkakas listrik Bosch yang resmi, supaya keselamatan kerja selalu terjamin.

Bersihkanlah pemegang mata gergaji secara berkala. Untuk melakukannya, keluarkan mata gergaji dari perkakas listrik dan ketok-ketokkan perkakas listrik dengan hati-hati pada permukaan yang datar.

Perkakas listrik yang sangat kotor mungkin tidak berfungsi dengan baik. Karena itu janganlah menggergaji bahan-bahan yang menyebabkan banyak debu dari bawah atau janganlah menggergaji bahan yang letaknya lebih tinggi dari kepala Anda.

- ▶ **Gunakanlah selalu alat penghisap pada penggunaan tertentu jika memungkinkan. Tiuplah dengan rutin kisi-kisi ventilasi dan nyalakan sisa pemutus arus (PRCD).** Saat pengerjaan bahan logam, debu konduktif dapat disimpan di dalam perkakas listrik. Isolasi keselamatan dari perkakas listrik dapat terganggu.

Sebaiknya rol pengendalian **7** kadang-kadang dilumasi dengan setetes minyak.

Periksalah rol pengendalian **7** secara berkala. Jika rol pengendalian aus, harus digantikan oleh Service Center Bosch yang resmi.

Layanan pasca beli dan konseling terkait pengoperasian

Layanan pasca beli Bosch menjawab semua pertanyaan Anda terkait reparasi dan maintenance serta suku cadang produk ini. Gambar tiga dimensi dan informasi terkait suku cadang dapat Anda lihat di:

www.bosch-pt.com

Tim konseling pengoperasian dari Bosch dengan senang hati membantu Anda, jika Anda hendak bertanya tentang produk-produk kami dan aksesorisnya.

Jika Anda hendak menanyakan sesuatu atau memesan suku cadang, sebutkan selalu nomor model yang terdiri dari 10 angka dan tercantum pada label tipe produk.

Indonesia

PT Robert Bosch
Palma Tower 10th Floor
Jl. RA Kartini II-S Kaveling 6 Sek II
Pondok Pinang, Kebayoran Lama
Jakarta Selatan 12310
Tel.: (021) 3005 5800
Fax: (021) 3005 5801
E-Mail: boschpowertools@id.bosch.com
www.bosch-pt.co.id

Cara membuang

Perkakas listrik, aksesoris dan kemasan sebaiknya didaur ulangkan sesuai dengan upaya untuk melindungi lingkungan hidup.



Janganlah membuang perkakas listrik dalam sampah rumah tangga!

Perubahan dapat terjadi tanpa pemberitahuan sebelumnya.

Tiếng Việt

Các Nguyên Tắc An Toàn

Cảnh báo tổng quát cách sử dụng an toàn dụng cụ điện cầm tay

⚠ CẢNH BÁO Đọc kỹ mọi cảnh báo an toàn và hướng dẫn. Không tuân thủ mọi cảnh báo và hướng dẫn được liệt kê dưới đây có thể bị điện giật, gây cháy và/hay bị thương tật nghiêm trọng.

Hãy giữ tất cả tài liệu về cảnh báo và hướng dẫn để tham khảo về sau.

Thuật ngữ “dụng cụ điện cầm tay” trong phần cảnh báo là để cập đến sự sử dụng dụng cụ điện cầm tay của bạn, loại sử dụng điện nguồn (có dây cắm điện) hay vận hành bằng pin (không dây cắm điện).

Khu vực làm việc an toàn

- ▶ **Giữ nơi làm việc sạch và đủ ánh sáng.** Nơi làm việc bừa bộn và tối tăm dễ gây ra tai nạn.
- ▶ **Không vận hành dụng cụ điện cầm tay trong môi trường dễ gây nổ, chẳng hạn như nơi có chất lỏng dễ cháy, khí đốt hay rác.** Dụng cụ điện cầm tay tạo ra các tia lửa nên có thể làm rác bén cháy hay bốc khói.
- ▶ **Không để trẻ em hay người đến xem đứng gần khi vận hành dụng cụ điện cầm tay.** Sự phân tâm có thể gây ra sự mất điều khiển.

An toàn về điện

- ▶ **Phích cắm của dụng cụ điện cầm tay phải thích hợp với ổ cắm. Không bao giờ được cài biến lại phích cắm dưới mọi hình thức. Không được sử dụng phích cắm hợp nối tiếp đất (dây mát).** Phích cắm nguyên bản và ổ cắm đúng loại sẽ làm giảm nguy cơ bị điện giật.
- ▶ **Tránh không để thân thể tiếp xúc với đất hay các vật có bề mặt tiếp đất như đường ống, lò sưởi, hàng rào và tủ lạnh.** Có nhiều nguy cơ bị điện giật hơn nếu cơ thể bạn bị tiếp hay nối đất.
- ▶ **Không được để dụng cụ điện cầm tay ngoài mưa hay ở tình trạng ẩm ướt.** Nước vào máy sẽ làm tăng nguy cơ bị điện giật.
- ▶ **Không được lạm dụng dây dẫn điện. Không bao giờ được nắm dây dẫn để xách, kéo hay rút phích cắm dụng cụ điện cầm tay. Không để dây gần nơi có nhiệt độ cao, dầu nhớt, vật nhọn bén hay bộ phận chuyển động.** Làm hỏng hay cuộn rối dây dẫn làm tăng nguy cơ bị điện giật.
- ▶ **Khi sử dụng dụng cụ điện cầm tay ngoài trời, dùng dây nối thích hợp cho việc sử dụng ngoài trời.** Sử dụng dây nối thích hợp cho việc sử dụng ngoài trời làm giảm nguy cơ bị điện giật.
- ▶ **Nếu việc sử dụng dụng cụ điện cầm tay ở nơi ẩm ướt là không thể tránh được, dùng thiết bị ngắt mạch tự động (RCD) bảo vệ nguồn.** Sử dụng thiết bị thiết bị ngắt mạch tự động RCD làm giảm nguy cơ bị điện giật.

An toàn cá nhân

- ▶ **Hãy tỉnh táo, biết rõ mình đang làm gì và hãy sử dụng ý thức khi vận hành dụng cụ điện cầm tay. Không sử dụng dụng cụ điện cầm tay khi đang mệt mỏi hay đang bị tác động do chất gây nghiện, rượu hay dược phẩm gây ra.** Một thoáng mất tập trung khi đang vận hành dụng cụ điện cầm tay có thể gây thương tích nghiêm trọng cho bản thân.

44 | Tiếng Việt

- ▶ **Sử dụng trang bị bảo hộ cá nhân.** Luôn luôn **đeo kính bảo vệ mắt**. Trang bị bảo hộ như khẩu trang, giày chống trượt, nón bảo hộ, hay dụng cụ bảo vệ tai khi được sử dụng đúng nơi đúng chỗ sẽ làm giảm nguy cơ thương tật cho bản thân.
- ▶ **Phòng tránh máy khởi động bất ngờ.** **Bảo đảm công tắc máy ở vị trí tắt trước khi cắm vào nguồn điện và/hay lắp pin vào, khi nhắc máy lên hay khi mang xách máy.** Ngáng ngón tay vào công tắc máy để xách hay kích hoạt dụng cụ điện cầm tay khi công tắc ở vị trí mở để dẫn đến tai nạn.
- ▶ **Lấy mọi chia hay khóa điều chỉnh ra trước khi mở điện dụng cụ điện cầm tay.** Khóa hay chìa còn gắn dính vào bộ phận quay của dụng cụ điện cầm tay có thể gây thương tích cho bản thân.
- ▶ **Không rướn người.** Luôn luôn **giữ tư thế đứng thích hợp và thẳng bằng**. Điều này tạo cho việc điều khiển dụng cụ điện cầm tay tốt hơn trong mọi tình huống bất ngờ.
- ▶ **Trang phục thích hợp.** Không mặc quần áo rộng lủng thụng hay mang trang sức. **Giữ tóc, quần áo và găng tay xa khỏi các bộ phận chuyển động.** Quần áo rộng lủng thụng, đồ trang sức hay tóc dài có thể bị cuốn vào các bộ phận chuyển động.
- ▶ **Nếu có các thiết bị đi kèm để nối máy hút bụi và các phụ kiện khác, bảo đảm các thiết bị này được nối và sử dụng tốt.** Việc sử dụng các thiết bị gom hút bụi có thể làm giảm các độc hại liên quan đến bụi gây ra.

Sử dụng và bảo dưỡng dụng cụ điện cầm tay

- ▶ **Không được ép máy.** Sử dụng dụng cụ điện cầm tay đúng loại theo đúng ứng dụng của bạn. Dụng cụ điện cầm tay đúng chức năng sẽ làm việc tốt và an toàn hơn theo đúng tiến độ mà máy được thiết kế.
- ▶ **Không sử dụng dụng cụ điện cầm tay nếu như công tắc không tắt và mở được.** Bất kỳ dụng cụ điện cầm tay nào mà không thể điều khiển được bằng công tắc là nguy hiểm và phải được sửa chữa.
- ▶ **Rút phích cắm ra khỏi nguồn điện và/hay pin ra khỏi dụng cụ điện cầm tay trước khi tiến hành bất kỳ điều chỉnh nào, thay phụ kiện, hay cắt dụng cụ điện cầm tay.** Các biện pháp ngăn ngừa như vậy làm giảm nguy cơ dụng cụ điện cầm tay khởi động bất ngờ.
- ▶ **Cắt giữ dụng cụ điện cầm tay không dùng tới nơi trẻ em không lấy được và không cho người chưa từng biết dụng cụ điện cầm tay hay các hướng dẫn này sử dụng dụng cụ điện cầm tay.** Dụng cụ điện cầm tay nguy hiểm khi ở trong tay người chưa được chỉ cách sử dụng.

- ▶ **Bảo quản dụng cụ điện cầm tay.** Kiểm tra xem các bộ phận chuyển động có bị sai lệch hay kẹt, các bộ phận bị rạn nứt và các tình trạng khác có thể ảnh hưởng đến sự vận hành của máy. **Nếu bị hư hỏng, phải sửa chữa máy trước khi sử dụng.** Nhiều tai nạn xảy ra do bảo quản dụng cụ điện cầm tay tồi.
- ▶ **Giữ các dụng cụ cắt bén và sạch.** Bảo quản đúng cách các dụng cụ cắt có cạnh cắt bén làm giảm khả năng bị kẹt và dễ điều khiển hơn.
- ▶ **Sử dụng dụng cụ điện cầm tay, phụ kiện, đầu cài v. v., đúng theo các chỉ dẫn này, hãy lưu ý đến điều kiện làm việc và công việc phải thực hiện.** Sử dụng dụng cụ điện cầm tay khác với mục đích thiết kế có thể tạo nên tình huống nguy hiểm.

Bảo dưỡng

- ▶ **Đưa dụng cụ điện cầm tay của bạn đến thợ chuyên môn để bảo dưỡng, chỉ sử dụng phụ tùng đúng chủng loại để thay.** Điều này sẽ đảm bảo sự an toàn của máy được giữ nguyên.

Các cảnh Báo An Toàn cho loại Máy Cưa Xọc

- ▶ **Nắm giữ dụng cụ điện nơi phần nắm cách điện khi thực hiện việc gia công nơi dụng cụ cắt có thể chạm vào dây điện không nhìn thấy được hay chính dây của máy.** Dụng cụ cắt chạm phải dây có điện có thể làm cho các bộ phận kim loại không được bao bọc có điện và giết người vận hành máy.
- ▶ **Đề tay tránh xa khỏi phạm vi cắt.** Không được tiếp chạm với phần bên dưới vật gia công. Tiếp xúc với lưỡi cưa có thể dẫn đến việc bị thương tích.
- ▶ **Chỉ cho máy gia công vật liệu khi máy đã hoạt động.** Nếu không làm vậy thì sẽ có nguy cơ bị giật ngược do dụng cụ cắt bị kẹt chặt trong vật gia công.
- ▶ **Hãy lưu ý đế đĩa đã nằm an toàn trên vật liệu trong khi cưa.** Lưỡi cưa bị kẹt chặt có thể bị gãy hay gây ra sự giật ngược.
- ▶ **Khi đã cắt xong, tắt máy và sau đó rút lưỡi cưa ra khỏi mạch cắt chỉ sau khi lưỡi cưa đã ngừng chuyển động hoàn toàn.** Thực hiện như vậy bạn có thể tránh được sự giật ngược và có thể đặt máy xuống một cách an toàn.
- ▶ **Chỉ sử dụng lưỡi cưa còn nguyên vẹn, có tình trạng hoàn hảo.** Lưỡi cưa bị cong hay cùn có thể bị gãy, ảnh hưởng xấu đến sự cắt, và có thể gây ra sự dội ngược.

- ▶ **Không được hãm lưỡi cưa cho dừng lại bằng cách tạo lực ép lên hông lưỡi cưa sau khi tắt máy.** Lưỡi cưa có thể bị hỏng, gây hay gãy ra giật ngược.
- ▶ **Dùng thiết bị dò tìm thích hợp để xác định nếu có các công trình công cộng lắp đặt ngầm trong khu vực làm việc hay liên hệ với Cty công trình Công cộng địa phương để nhờ hỗ trợ.** Đụng chạm đường dẫn điện có thể gây ra hỏa hoạn và điện giật. Làm hư hại đường dẫn khí ga có thể gây nổ. Làm thủng đường dẫn nước gây hư hỏng tài sản hay có khả năng gây ra điện giật.
- ▶ **Kẹp chặt vật gia công.** Vật gia công được kẹp bằng một thiết bị kẹp hay bằng ê-tô thì vững chắc hơn giữ bằng tay.
- ▶ **Luôn luôn đợi cho máy hoàn toàn ngừng hẳn trước khi đặt xuống.** Dụng cụ lắp vào máy có thể bị kẹp chặt dẫn đến việc dụng cụ điện cầm tay bị mất điều khiển.

Mô Tả Sản Phẩm và Đặc Tính Kỹ Thuật



Đọc kỹ mọi cảnh báo an toàn và mọi hướng dẫn. Không tuân thủ mọi cảnh báo và hướng dẫn được liệt kê dưới đây có thể bị điện giật, gây cháy và/hay bị thương tật nghiêm trọng.

Dành sử dụng cho

Máy được thiết kế để cắt hay cưa lộng dành cho gỗ, nhựa mủ, kim loại, gốm dạng tấm và cao su khi chúng được ốp chặt vào vật gia công. Máy thích hợp để thực hiện những đường cắt thẳng hay cong có góc mọng lên đến 45°. Nên tuân thủ các khuyến nghị loại lưỡi cưa nên sử dụng.

Biểu trưng của sản phẩm

Sự đánh số các biểu trưng của sản phẩm là để tham khảo hình minh họa của máy trên trang hình ảnh.

- 1 Nút khóa tự chạy của công tắc Tắt/Mở
- 2 Núm xoay chọn trước tần suất nhịp chạy
- 3 Công tắc Tắt/Mở
- 4 Khóa lục giác
- 5 Đế đĩa
- 6 Gạt chỉnh đặt động tác xoay
- 7 Bánh lăn định hướng
- 8 Lưỡi cưa*
- 9 Thanh bảo vệ chống tiếp xúc
- 10 Tay nắm (bề mặt nắm cách điện)
- 11 Thanh chạy
- 12 Núm bẫy kẹp nhanh SDS dùng để nhả lưỡi cưa
- 13 Miếng chặn chống tưa

14 Thước đo góc vuông mọng

15 Vít

*Phụ tùng được trình bày hay mô tả không phải là một phần của tiêu chuẩn hàng hóa được giao kèm theo sản phẩm. Bạn có thể tham khảo tổng thể các loại phụ tùng, phụ kiện trong chương trình phụ tùng của chúng tôi.

Thông số kỹ thuật

Cưa xoi	GST 8000 E	
Mã số máy		3 601 E8H 0..
Công suất vào danh định	W	710
Tốc độ khoảng chạy không tải n_0	spm	800–3100
Nhịp chạy	mm	20
Năng suất cắt, tối đa		
– vào gỗ	mm	80
– vào nhôm	mm	20
– vào thép không hợp kim	mm	10
Cắt cạnh xiên (trái/phải), tối đa	°	45
Trọng lượng theo Qui trình		
EPTA-Procedure 01:2014 (chuẩn EPTA 01:2014)	kg	2,5
Cấp độ bảo vệ		□/II
Các giá trị đã cho có hiệu lực cho điện thế danh định [U] 230 V. Đối với điện thế thấp hơn và các loại máy dành riêng cho một số quốc gia, các giá trị này có thể thay đổi.		

Sự lắp vào

- ▶ **Trước khi tiến hành bất cứ việc gì trên máy, kéo phích cắm điện nguồn ra.**

Thay/Lắp Lưỡi Cưa

- ▶ **Khi lắp lưỡi cưa, hãy mang găng bảo vệ tay vào.** Có nguy cơ bị thương tích khi chạm vào lưỡi cưa.

Chọn Lưỡi Cưa

Phần khuyến nghị tổng quát về việc sử dụng lưỡi cưa có thể tìm thấy ở phần cuối của các hướng dẫn này. Chỉ nên sử dụng các lưỡi cưa có chuỗi chữ T. Lưỡi cưa không được dài hơn yêu cầu cần có để cắt.

Hãy sử dụng lưỡi cưa mỏng để cắt các đường cong hẹp.

Lắp Lưỡi Cưa Vào (xem hình A1)

Lắp lưỡi cưa **8** (răng nằm theo chiều cắt) vào trong thanh chạy **11** cho đến khi ăn khớp. Cần bẫy thay nhanh SDS **12** tự động kẹp chặt đoạn đuôi và lưỡi cưa được khóa lại. Không được dùng tay nhấn cần bẫy **12** về phía đoạn đuôi, nếu không, bạn có thể làm hư hỏng máy.

46 | Tiếng Việt

Trong khi lắp lưới cửa, hãy lưu ý sống lưng của lưới cửa được đặt nằm trong đường rãnh của bánh lăn định hướng 7.

- ▶ **Kiểm tra lưới cửa có được bắt chắc vào.** Lưới cửa gắn vào còn lỏng có thể rơi ra và gây thương tích.

Bung Lưới Cửa Ra (xem hình A2)

- ▶ **Khi bung lưới cửa, giữ máy ở tư thế sao cho không để người và thú vật có thể bị thương tích do lưới cửa bị bung ra.**

Vận cần bẫy thay nhanh SDS **12** về phía trước theo chiều của thanh bảo vệ chống tiếp xúc **9**. Lưới cửa được nhả và bung ra.

Miếng Chặn Chống Tựa (xem hình B)

Miếng Chặn Chống Tựa **13** (phụ tùng) có thể ngăn không để bề mặt bị tựa, xước trong lúc cửa gỗ. Miếng chặn chống tựa chỉ có thể sử dụng được cho một số loại lưới cửa nhất định và chỉ dành để cắt góc ở 0°. Khi cửa có sử dụng miếng chặn chống tựa, đế đĩa **5** không được di chuyển lùi ra sau để cắt ở điểm sát mé cạnh.

Nhấn miếng chặn chống tựa **13** từ bên dưới lên trên đế đĩa **5**.

Hút Dăm/Bụi

- ▶ Mặt bụi từ các vật liệu được sơn phủ ngoài có chứa chì trên một số loại gỗ, khoáng vật và kim loại có thể gây nguy hại đến sức khoẻ con người. Đụng chạm hay hít thở các bụi này có thể làm người sử dụng hay đứng gần bị dị ứng và/hoặc gây nhiễm trùng hệ hô hấp.

Một số mặt bụi cụ thể, ví dụ như bụi gỗ sồi hay dẫu, được xem là chất gây ung thư, đặc biệt là có liên quan đến các chất phụ gia dùng xử lý gỗ (chất cromat, chất bảo quản gỗ). Có thể chỉ nên để thợ chuyên môn gia công các loại vật liệu có chứa amiăng.

- Tạo không khí thông thoáng nơi làm việc.
- Khuyến nghị nên mang mặt nạ phòng độc có bộ lọc cấp P2.

Tuân thủ các qui định của quốc gia bạn liên quan đến loại vật liệu gia công.

- ▶ **Tránh không để rác tích tụ tại nơi làm việc.** Rác có thể dễ dàng bắt lửa.

Vận Hành

Chế Độ Hoạt Động

- ▶ **Trước khi tiến hành bất cứ việc gì trên máy, kéo phích cắm điện nguồn ra.**

Chỉnh Đặt Động Tác Xoay

Bốn vị trí chỉnh đặt động tác xoay cho phép ta đáp ứng theo tốc độ cắt, năng suất cắt và hình mẫu cắt trên vật liệu đang gia công được tốt nhất.

Động tác xoay có thể điều chỉnh được bằng cần bẫy điều chỉnh **6**, ngay cả khi đang vận hành.

Chỉnh đặt 0	Không có động tác xoay vòng
Chỉnh đặt I	Động tác xoay vòng nhỏ
Chỉnh đặt II	Động tác xoay vòng trung bình
Chỉnh đặt III	Động tác xoay vòng lớn

Sự chỉnh đặt động tác xoay tương ứng cho từng ứng dụng cụ thể sao cho tốt nhất có thể xác định thông qua việc chạy thử thực tế. Các khuyến nghị cho sự ứng dụng như sau:

- Chọn đặt động tác xoay vòng thấp (hay tắt đi) để đường cắt có cạnh mịn và sạch láng.
- Đối với các vật liệu mỏng như thép tấm, tắt động tác xoay vòng đi.
- Đối với các vật liệu cứng như thép, vận hành với động tác xoay vòng thấp.
- Đối với các loại vật liệu mềm và khi cửa dọc theo số, vận hành với động tác xoay vòng tối đa.

Điều Chỉnh Góc Cắt (xem hình C)

Nới lỏng vít **15** và đẩy nhẹ đế đĩa **5** theo chiều của cấp điện chính.

Để chỉnh đặt thật chính xác góc cắt mỏng, đế đĩa có các khắc điều chỉnh nằm trên biên phải và trái ở 0° và 45°. Xoay đế đĩa **5** về vị trí muốn đặt dựa vào thước đo làm chuẩn **14**. Các góc mỏng khác có thể điều chỉnh bằng cách sử dụng thước đo góc.

Sau cùng, đẩy đế đĩa **5** về hết hướng có lưới cửa **8**. Siết chặt vít lại **15** như cũ.

Miếng chống tựa **13** không thể gắn vào để thực hiện việc cắt các góc mỏng.

Chỉnh Đặt Đế Đĩa Nằm Nghiêng (xem hình C)

Để cửa sát mé cạnh, đế đĩa **5** có thể chỉnh đặt nghiêng.

Nới lỏng vít **15** và đẩy đế đĩa **5** hết về phía cấp điện chính.

Siết chặt vít lại **15** như cũ.

Cửa với đế đĩa **5** ở tư thế nằm nghiêng cũng có thể được chỉ khi góc vát ở 0°. Có thể không cần sử dụng miếng chặn chống tựa **13**.

Bắt Đầu Vận Hành

- ▶ **Tuân thủ theo đúng điện thế! Điện thế nguồn phải đúng với điện thế đã ghi rõ trên nhãn máy.**

Bật Mở và Tắt

Để **mở** máy, nhấn công tắc Tắt/Mở **3**.

Để **khóa** công tắc Tắt/Mở **3**, giữ nhấn và nhấn nút khóa tự chạy **1** về bên phải hoặc trái.

Để **tắt** máy, nhả công tắc Tắt/Mở **3**. Khi công tắc Tắt/Mở **3** đã được khóa, trước hết nhấn vào và sau đó nhả ra.

Điều Khiển/Chỉnh Đặt Trước Tần Suất Nhịp Chạy

Tăng hay giảm lực áp lên công tắc Tắt/Mở **3** cho phép điều khiển tần suất nhịp chạy mà không thông qua từng giai đoạn khi máy đang hoạt động.

Lực bóp nhẹ lên công tắc Tắt/Mở **3** tạo ra tần suất nhịp chạy thấp. Tăng lực bóp cũng là làm tăng tần suất nhịp chạy.

Khi công tắc Tắt/Mở **3** đã được khóa, ta không thể làm giảm tần suất nhịp chạy được.

Với núm xoay chọn trước tần suất nhịp chạy **2** tần suất nhịp chạy có thể chỉnh đặt trước và thay đổi trong lúc đang hoạt động.

Tần suất nhịp chạy cần có tốt nhất tùy thuộc vào loại vật liệu và điều kiện làm việc và có thể xác định thông qua việc chạy thử thực tế.

Khuyến nghị nên làm giảm tần suất nhịp chạy khi lưỡi cưa bắt đầu ăn vào vật liệu cũng như khi cưa nhựa mù hay nhôm.

Sau một thời gian dài vận hành có tần suất nhịp chạy thấp, máy có thể bị nóng lên một cách đáng kể. Tháo lưỡi cưa ra khỏi máy và để cho máy nguội xuống bằng cách cho máy chạy với tần suất chạy tối đa khoảng 3 phút.

Hướng Dẫn Sử Dụng

- ▶ **Trước khi tiến hành bất cứ việc gì trên máy, kéo phích cắm điện nguồn ra.**
- ▶ **Khi gia công các vật liệu nhỏ hay mỏng, luôn luôn sử dụng vật dụng kê đỡ chắc chắn hay bản mộc để cưa (phụ tùng).**

Kiểm tra gỗ, ván ép, vật liệu xây dựng v. v.. để tìm xem có các đồ vật lạ như đinh, vít hay các vật tương tự, và sau đó lấy chúng ra, nếu thấy cần.

Thanh Bảo Vệ Chống Tiếp Xúc

Thanh bảo vệ chống tiếp xúc **9** dính liền vào khung máy để ngăn ngừa sự vô ý chạm phải lưỡi cưa trong quá trình vận hành và có thể không được tháo ra.

Cắt Xọc (xem hình D)

- ▶ **Qui trình cắt xọc chỉ thích hợp để xử lý các loại vật liệu mềm như gỗ, thạch cao tấm hay vật liệu tương tự! Không được áp dụng qui trình cắt xọc với vật liệu là kim loại!**

Chỉ sử dụng lưỡi cưa ngắn để thực hiện việc cắt xọc. Sự cắt xọc có thể thực hiện được khi chỉnh đặt góc miệng ở 0°.

Đặt máy với phần cạnh trước của đế đĩa **5** lên trên vật gia công mà không để lưỡi cưa **8** chạm vào vật gia công rồi mở máy. Đối với máy có phần điều khiển tần suất nhịp chạy, chọn tần suất nhịp chạy tối đa. Giữ chặt máy tựa lên vật gia công rồi hạ nghiêng máy xuống, từ từ đưa lưỡi cưa xọc vào vật gia công. Khi đế đĩa **5** hoàn toàn nằm lên trên vật gia công, cứ tiếp tục cưa dọc theo vạch cắt theo yêu cầu.

Dung dịch làm mát/Bôi trơn

Khi cưa kim loại vật liệu gia công bị nóng lên, do đó; nên bôi dung dịch làm mát/bôi trơn dọc theo đường cắt.

Bảo Dưỡng và Bảo Quản

Bảo Dưỡng Và Làm Sạch

- ▶ **Trước khi tiến hành bất cứ việc gì trên máy, kéo phích cắm điện nguồn ra.**
- ▶ **Để được an toàn và máy hoạt động đúng chức năng, luôn luôn giữ máy và các khe thông gió được sạch.**

Nếu như cần phải thay dây dẫn điện thì công việc này phải do hãng Bosch, hay một đại lý được Bosch ủy nhiệm thực hiện để tránh gặp sự nguy hiểm do mất an toàn.

Làm sạch phần lắp lưỡi cưa thường xuyên. Để thực hiện, lấy lưỡi cưa trong máy ra và gõ nhẹ máy xuống chỗ có bề mặt phẳng.

Máy bị quá dơ có thể làm cho sự hoạt động bị trục trặc. Vì vậy, không nên cưa vật liệu tạo nhiều mù bụi ở mặt dưới vật liệu hoặc cao quá đầu.

- ▶ **Trong điều kiện giới hạn tuyệt đối, luôn luôn sử dụng máy hút bụi trong khả năng có thể. Thổi sạch các khe thông gió thường xuyên và lắp đặt thiết bị ngắt mạch tự động (PRCD).** Khi gia công kim loại, các loại mù bụi dẫn điện có thể lọt vào trong dụng cụ điện. Toàn bộ sự cách điện của dụng cụ điện có thể bị mất tác dụng.

Thỉnh thoảng bôi trơn bánh lăn định hướng **7** bằng một giọt nhớt máy.

Kiểm tra bánh lăn định hướng **7** thường xuyên. Nếu bị mòn, phải đưa đến đại lý bảo hành-bảo trì do Bosch ủy nhiệm để thay.

48 | Tiếng Việt**Dịch Vụ Sau Khi Bán và Dịch Vụ Ứng Dụng**

Bộ phận phục vụ hàng sau khi bán của chúng tôi sẽ trả lời các câu hỏi liên quan đến việc bảo trì và sửa chữa các sản phẩm cũng như các phụ tùng thay thế của bạn. Hình ảnh chi tiết và thông tin phụ tùng thay thế có thể tìm hiểu theo địa chỉ dưới đây:

www.bosch-pt.com

Bộ phận dịch vụ ứng dụng Bosch sẽ hân hạnh trả lời các câu hỏi liên quan đến các sản phẩm của chúng tôi và linh kiện của chúng.

Trong tất cả các phản hồi và đơn đặt phụ tùng, xin vui lòng luôn luôn nhập số hàng hóa 10 chữ số theo nhãn của hàng hóa.

Việt Nam

CN Cty TNHH Bosch Vietnam tại TP. Ho Chi Minh
Tầng 10, Tòa nhà 194 Golden
473 Điện Biên Phủ
Phường 25, Quận Bình Thạnh
Tp. Hồ Chí Minh
Tel.: (08) 6258 3690
Fax: (08) 6258 3692
Hotline: (08) 6250 8555
www.bosch-pt.com.vn

Campuchia

Công ty TNHH Robert Bosch (Campuchia)
Đơn nguyên 8BC, GT Tower, Tầng 08,
Đường 169, Tiệp Khắc Blvd, Sangkat Veal Vong,
Khan 7 Makara, Phnom Penh
VAT TIN : 100 169 511
Tel.: +855 23 900 685
Tel.: +855 23 900 660
www.bosch.com.kh

Thải bỏ

Máy, linh kiện và bao bì phải được phân loại để tái chế theo hướng thân thiện với môi trường.



Không được thải bỏ dụng cụ điện vào chung với rác sinh hoạt!

Được quyền thay đổi nội dung mà không phải thông báo trước.

التخلص من العدة الكهربائية

ينبغي التخلص من العدد الكهربائية والتوابع والغلاف بطريقة منصفة للبيئة عن طريق النفايات القابلة لإعادة التصنيع.

لا ترمم العدد الكهربائية في النفايات المنزلية!



نحتفظ بحق إدخال التعديلات.

قطر

International Construction Solutions W L L

البريد: 51 الدوحة

قطر

هاتف: +974 40065458

فاكس: +974 4453 8585

البريد الإلكتروني: csd@icsdoha.com

المملكة العربية السعودية

إبراهيم الجفالي وأخوانه للمعدات الفنية
البوادي

شارع المدينة المنورة، كيلو 14

جدة 21431، المملكة العربية السعودية

هاتف: +966 2 667222

فاكس: +966 2 6676308

البريد الإلكتروني: roland@ejb.com.sa

سوريا

شركة الدلال للأدوات الفنية

البريد: 1030

حلب

هاتف: +963 212116083

البريد الإلكتروني: rita.dallal@hotmail.com

تونس

شركة روبرت بوش المحدودة بتونس

7 شارع ابن بطوطة زد. أي. سان جوبان

مقرين الرياض

2014 بن عروس

هاتف: +216 71 427 496/879

فاكس: +216 71 428 621

البريد الإلكتروني: sav.outillage@tn.bosch.com

الإمارات العربية المتحدة

Central Motors & Equipment LLC

البريد: 1984

شارع الوحدة - مبنى السناء

الشارقة

هاتف: +971 6 593 2777

فاكس: +971 6 533 2269

البريد الإلكتروني: powertools@centralmotors.ae

اليمن

مجموعة أبو الرجال التجارية

شارع سناء الزبيري أمام مبنى البرلمان الجديد

هاتف: +967 1 202010

فاكس: +967 1 279029

البريد الإلكتروني: tech-tools@abualrejal.com



الصيانة والخدمة

الصيانة والتنظيف

- ◀ اسحب القابض من مقبس الشبكة الكهربائية قبل إجراء أي عمل على العدة الكهربائية.
- ◀ حافظ دائماً على نظافة العدة الكهربائية وشقوق التهوية للعمل بشكل جيد وآمن.

إن تطلب الأمر استبدال خط الامداد، فينبغي أن يتم ذلك من قبل شركة بوش أو من قبل مركز خدمة زبائن وكالة بوش للعدد الكهربائية، لتجنب التعرض للمخاطر.

نظف حاضن نصل المنشار بشكل منتظم. انزع نصل المنشار عن العدة الكهربائية لتنفيذ ذلك ثم انفض العدة الكهربائية بخفة على سطح مستو.

قد يؤدي اتساع العدة الكهربائية بشكل شديد إلى خلل بالتشغيل. فلا تنشر لهذا السبب المواد الشديدة الإنتاج للغيار من الأسفل أو فوق الرأس.

- ◀ استخدم قدر الإمكان وحدة شفط بظروف العمل الشديدة دائماً. انفخ شقوق التهوية مرات عديدة، وقم بوصل مفتاح للوقاية من التيار المتخلف (PRCD) بشكل مسبق. قد يتسرب الغيار الناقل داخل العدة الكهربائية عند معالجة المعادن. قد يضر ذلك بعزل الوقاية بالعدة الكهربائية.

شحم عجلة التوجيه 7 بقطرة من الزيت من وقت لآخر. تفحص عجلة التوجيه 7 بشكل منتظم. إن كانت مستهلكة، توجب استبدالها من قبل مركز خدمة زبائن وكالة بوش.

خدمة الزبائن ومشورة الاستخدام

يجيب مركز خدمة الزبائن على أسئلتكم بصدد تصليح وصيانة المنتج وأيضاً بما يخص قطع الغيار. يعثر على الرسوم الممددة وعلى المعلومات عن قطع الغيار بموقع: www.bosch-pt.com

سيكون من دواعي سرور فرقة مشورة الاستخدام بشركة بوش أن تساعدكم بخصوص الأسئلة عن منتجاتنا وتوابعها. يلزم ذكر رقم الصنف ذو الفئات العشر وفقاً للوحة صنع المنتج عند إرسال أية استفسارات أو طلبيات قطع غيار.

الجزائر

سيستال

المنطقة الصناعية احدادن

بجاية 06000

هاتف: +213 (0) 982 400 991/2

فاكس: +213 (0) 3 420 1569

البريد الإلكتروني: sav@siestal-dz.com

البحرين

حاتم الجفالي للمعدات الفنية

مملكة البحرين

هاتف: +966 126971777-311

فاكس: +973 17704257

البريد الإلكتروني: h.berjas@eajb.com.sa

مصر

يونيمار

رقم 20 مركز الخدمات

التجمع الاول - القاهرة الجديدة - مصر

هاتف: +2 02 224 78072-73 / +2 02 224 76091-95

فاكس: +2 02 224 78075

البريد الإلكتروني: adelzaki@unimaregypt.com

العراق

مجموعة شركات الصهبا للتكنولوجيا

شارع مطار المثنى

بغداد

هاتف: +964 7901906953

هاتف (ديبي): +971 43973851

البريد الإلكتروني: bosch@sahbatechnology.com

الأردن

Roots Arabia - Jordan

شارع ناصر بن جميل

بناية رقم 37 الرابعة

11194 عمّان

هاتف: +962 6 5545778

البريد الإلكتروني: bosch@rootsjordan.com

الكويت

القرين لتجارة السيارات

المنطقة الصناعية شويخ

البريد: 164 - صفت 13002

هاتف: +966 24810844

فاكس: +966 24810879

البريد الإلكتروني: josephkr@aaalmutawa.com

لبنان

Tehini Hana & Co. S. A. R. L.

بريد: 499-90 جديد

دورا بيروت

هاتف: +961 1255211

البريد الإلكتروني: service-pt@tehini-hana.com

المغرب

شركة روبرت بوش المحدودة بالمغرب

53، زنقة الملازم محمد محروض

20300 الدار البيضاء

البريد الإلكتروني: sav.outillage@ma.bosch.com

عُمان

Malatan Trading & Contracting LLC

البريد: 131

سلطنة عمان

هاتف: +968 99886794

البريد الإلكتروني: malatanpowertools@malatan.net

التحكم بعدد الأشواط/ضبطه مسبقاً

يمكنك أن تتحكم بعدد أشواط العدة الكهربائية قيد التشغيل دون تدريج، حسب مدى الضغط على مفتاح التشغيل والإطفاء 3. يؤدي الضغط الخفيف على مفتاح التشغيل والإطفاء 3 إلى عدد أشواط منخفض. يزداد عدد الأشواط بزيادة الضغط. لا يمكن تخفيض عدد الأشواط عندما يكون مفتاح التشغيل والإطفاء 3 مثبتاً.

يمكنك أن تضبط عدد الأشواط مسبقاً وأن تغيره أثناء التشغيل بواسطة عجلة ضبط عدد الأشواط مسبقاً 2. يتعلق عدد الأشواط المطلوب بمادة الشغل وبظروف العمل ويمكن استنتاجه من خلال التجربة العملية. ينصح بتخفيض عدد الأشواط عند تنزيل نصل المنشار على قطعة الشغل وأيضاً عند نشر الدائن والألمنيوم. قد تحمي العدة الكهربائية بشدة عند الشغل لفترة طويلة بعدد أشواط صغير. اطلق نصل المنشار خارجاً ثم شغل العدة الكهربائية بعدد الأشواط الأقصى لمدة ثلاث دقائق تقريباً لتبريدها.

ملاحظات شغل

◀ اسحب القابس من مقبس الشبكة الكهربائية قبل إجراء أي عمل على العدة الكهربائية.

◀ استخدم دائماً قاعدة ثابتة أو منضدة نشر (من التوابع) عند معالجة قطع الشغل الصغيرة أو الرقيقة.

تفحص الخشب وألواح الورق المكبوس ومواد البناء قبل النشر على تواجد أغراض غريبة بها كالمسامير واللولب وما شابه، وأزلها إن تواجدت.

واقية اللمس

تمنع واقية اللمس 9 التي تم تركيبها على الهيكل ملامسة نصل المنشار بشكل غير مقصود أثناء عملية الشغل ولا يجوز فكها.

النشر الغاطس (تراجع الصورة D)

◀ يجوز فقط معالجة المواد الطرية كالخشب والورق المقوى المجصص أو ما شابه بأسلوب النشر الغاطس! لا تعالج مواد الشغل المعدنية بأسلوب النشر الغاطس!

استخدم فقط نصال المنشار القصيرة بأسلوب النشر الغاطس. يمكن تنفيذ النشر الغاطس بزواوية شطب تبلغ صفر فقط.

ركز العدة الكهربائية بحافة صفيحة القاعدة 5 الأمامية على قطعة الشغل، دون أن يلامس نصل المنشار 8 قطعة الشغل، ثم شغلها. اضبط عدد الأشواط بالعدد الكهربائي المزودة بألية التحكم بعدد الأشواط على العدد الأقصى. اضغط العدة الكهربائية على قطعة الشغل بقوة واسمع لنصل المنشار أن يغطس في قطعة الشغل ببطئ. عندما تتساطح صفيحة القاعدة 5 بكامل سطحها مع قطعة الشغل، يمكنك أن تتابع النشر على مسار خط القطع المرغوب.

مواد التبريد/التشحيم

يفضل دهن مواد التبريد أو التشحيم على مسار خط القطع عند نشر المعادن بسبب ارتفاع حرارة المادة.

يمكن استنتاج حركة الترجع المثالية لكل حالة تشغيل بالتجربة العملية. وينصح عند ذلك بما يلي:

- كلما رغبت بزيادة نعومة أو نظافة حافة القطع، كلما توجب تصغير حركة الترجع أو إطفائها
- اطفئ الترجع عند معالجة مواد الشغل الرقيقة (كالصفيح مثلاً).
- يتم الشغل بحركة ترجع صغيرة عند معالجة مواد الشغل الصلبة (كالفولاذ مثلاً).
- يمكنك أن تستغل بحركة الترجع القصوى عند معالجة مواد الشغل الطرية وعند نشر الخشب باتجاه الألياف.

ضبط زوايا الشطب المائلة (تراجع الصورة C)

قم بفك اللولب 15 وادفع صفيحة القاعدة 5 بعض الشيء في اتجاه كابل الكهرباء.

لضبط زوايا الشطب المائلة الدقيقة، فقد تم تزويد صفيحة القاعدة على اليمين واليسار بنقاط تعاشق عند صفر و 45 درجة. أرجع صفيحة القاعدة 5 حسب المقياس 14 إلى المركز المرغوب. ويمكن ضبط زوايا شطب مائلة أخرى بالاستعانة بمنقلة.

ادفع صفيحة القاعدة 5 بعد ذلك باتجاه نصل المنشار 8 حتى التصادم.

أحكام ربط اللولب 15 بعد ذلك.

لا يمكن استخدام واقية تمزق النشارة 13 عند تنفيذ قطع الشطب المائلة.

تغيير مركز صفيحة القاعدة (تراجع الصورة C)

يمكنك أن تغير مركز صفيحة القاعدة 5 إلى الخلف للنشر بقرب الحواف.

قم بفك اللولب 15 وادفع صفيحة القاعدة 5 حتى النهاية في اتجاه كابل الكهرباء.

أحكام ربط اللولب 15 بعد ذلك.

لا يمكن النشر مع انحراف صفيحة المنشار 5 إلا مع زاوية شطب مائلة تبلغ 0°. لا يجوز استخدام واقية تمزق النشارة 13.

بدء التشغيل

◀ انتبه إلى جهد الشبكة الكهربائية! يجب أن يتطابق جهد منبع التيار مع المعلومات المذكورة على لائحة طراز الجهاز. يمكن أن يتم تشغيل العدد الكهربائية المحددة بـ 230 فولت بـ 220 فولت أيضاً.

التشغيل والإطفاء

من أجل تشغيل العدة الكهربائية يضغط على مفتاح التشغيل والإطفاء 3.

من أجل تثبيت مفتاح التشغيل والإطفاء 3 يحافظ على إبقاءه مضغوطاً ويدفع مفتاح التثبيت 1 إلى اليمين أو إلى اليسار.

من أجل إطفاء العدة الكهربائية يطلق مفتاح التشغيل والإطفاء 3. إن كان مفتاح التشغيل والإطفاء 3 مثبتاً، يكبس أولاً ثم يطلق بعد ذلك.

**واقية تمزق النشارة (تراجع الصورة B)**

إن واقية تمزق النشارة 13 (من التوابع) تستطيع أن تمنع تمزق السطح عند نشر الخشب. يمكن استخدام واقية تمزق النشارة فقط مع طراز معين من نصال المنشار و فقط بزاوية قطع تبلغ صفر. لا يجوز دفع صفيحة القاعدة 5 إلى الخلف للنشر بقرب الحواف عند النشر مع استخدام واقية تمزق النشارة.

اضغط واقية تمزق النشارة 13 من الأسفل إلى داخل صفيحة القاعدة 5.

شغط الغبار/النشارة

◀ إن أغبرة بعض المواد كالطلاء الذي يحتوي على الرصاص، وبعض أنواع الخشب والفلزات والمعادن، قد تكون مضرّة بالصحة. إن ملامسة أو استنشاق الأغبرة قد يؤدي إلى ردود فعل زائدة الحساسية و/أو إلى أمراض المجاري التنفسية لدى المستخدم أو لدى الأشخاص المتواجدين على مقربة من المكان.

تعتبر بعض الأغبرة المعينة، كأغبرة البليوط والزراّن بأنها مسببة للسرطان، ولا سيما بالاتصال مع المواد الإضافية لمعالجة الخشب (ملح حامض الكروميك، المواد الحافظة للخشب). يجوز أن يتم معالجة المواد التي تحتوي على الأسبستوس من قبل العمال المتخصصين فقط دون غيرهم.

- حافظ على تهوية مكان الشغل بشكل جيد.
- ينصح بارتداء قناع و واقية للتنفس ب فئة المرشح P2. تراعى الأحكام السارية في بلدكم بالنسبة للمواد المرغوب معالجتها.
- ◀ تجنب تراكم الغبار بمكان العمل. يجوز أن تشتعل الأغبرة بسهولة.

التشغيل**أنواع التشغيل**

◀ اسحب القابس من مقبس الشبكة الكهربائية قبل إجراء أي عمل على العدة الكهربائية.

ضبط التآرجح

تسمح حركة الترجح القابلة للضبط في أربع درجات بملاتمة سرعة القطع وقدرة القطع وهيئة القطع مع المادة المرغوب معالجتها بشكل مثالي.

يسمح ذراع الضبط 6 بضبط حركة الترجح حتى أثناء التشغيل.

درجة 0	دون ترجع
درجة 1	ترجع صغير
درجة 2	ترجع متوسط
درجة 3	ترجع كبير

البيانات الفنية

منشار قطع النماذج		GST 8000 E	
رقم الصنف		3 601 E8H 0..	
القدرة الاسمية المقننة	واط	710	
عدد الأشواط للاحملي n ₀	دقيقة ⁻¹	800-3 100	
الشوط	مم	20	
عمق القطع الأقصى			
- في الخشب	مم	80	
- في الألمنيوم	مم	20	
- في الفولاذ (الغير مخلوط)	مم	10	
زاوية القطع (يسار/يمين)	°	45	
الوزن حسب EPTA-Procedure 01:2014	كغ	2,5	
فئة الوقاية		II/□	
القيم سارية المفعول لجهد اسمي [U] بمقدار 230 فولط. قد تتفاوت هذه القيم عندما يختلف الجهد عن ذلك أو بطرازات خاصة ببلدان معينة.			

التركيب

◀ اسحب القابس من مقبس الشبكة الكهربائية قبل إجراء أي عمل على العدة الكهربائية.

تركيب/استبدال نصل المنشار

◀ ارتد قفازات واقية عند تركيب نصل المنشار. يؤدي ملامسة نصل المنشار إلى تشكل خطر الإصابة بجروح.

اختيار نصل المنشار

يعثر على عرض إجمالي لنصال المنشار المنصوح باستخدامها بنهاية هذه الكراسة. ركب فقط نصال المنشار ذات الساق الأحادية الكامات (ساق بشكل T). على ألا يزيد طول نصل المنشار عن الطول المطلوب للقطع المرغوب تنفيذه.

استخدم نصل منشار رفيع لنشر المنعطفات الضيقة.

تركيب نصل المنشار (راجع الصورة A1)

ادفع نصل المنشار 8، بحيث تكون الأسنان في اتجاه القطع، حتى يثبت في قضيب الرفع 11. يقفز ذراع SDS 12 أو توماتيكيا إلى الخلف، ويتم إقفال نصل المنشار. لا تضغط على الذراع 12 يدويا إلى الخلف، وإلا فستعرض العدة الكهربائية للضرر.

انتبه عند تركيب نصل المنشار إلى تبييت ظهر نصل المنشار في حز عجلة التوجيه 7.

◀ تفحص إحكام ثبات نصل المنشار. إن نصل المنشار الغير ثابت قد يسقط ليصيبك بجروح.

إطلاق نصل المنشار (راجع الصورة A2)

◀ امسك بالعدة الكهربائية عند إطلاق نصل المنشار بحيث لا يؤدي قذف نصل المنشار إلى إصابة أي إنسان أو حيوان.

افتل ذراع SDS 12 إلى الأمام باتجاه واقية اللمس 9. يطلق نصل المنشار ويقذف خارجاً.

وصف المنتج والأداء

اقرأ جميع الملاحظات التحذيرية والتعليمات. إن ارتكاب الأخطاء عند تطبيق الملاحظات التحذيرية والتعليمات قد يؤدي إلى الصدمات الكهربائية، إلى نشوب الحرائق و/أو الإصابة بجروح خطيرة.



الاستعمال المخصص

لقد خصصت العدة الكهربائية لتنفيذ القطوع الفاصلة والجزئية بتركيز ثابت في الخشب واللداثن والمعادن والصفائح الخزفية والمطاط. وتصلح لإجراء القطوع المستقيمة والمنحنية بزاوية شطب حتى 45 درجة. تراعى النصائح بصدد نصال المنشار.

الأجزاء المصورة

يستند ترقيم الأجزاء المصورة إلى رسوم العدة الكهربائية الموجودة في صفحة الرسوم التخطيطية.

- 1 تثبيت مفتاح التشغيل والإطفاء
- 2 عجلة ضبط عدد الأشواط مسبقاً
- 3 مفتاح التشغيل والإطفاء
- 4 مفتاح ربط سداسي الحواف داخلياً
- 5 صفيحة القاعدة
- 6 ذراع ضبط الترجع
- 7 عجلة التوجيه
- 8 نصل المنشار*
- 9 واقية للمس
- 10 مقبض يدوي (سطح القبض معزول)
- 11 قضيب الشوط
- 12 ذراع SDS لفك إقفال نصل المنشار
- 13 واقية تمزق النشارة
- 14 مقياس زوايا الشطب المائلة
- 15 لولب

* لا يتضمن إطار التوريد الاعتيادي التوابع المصورة أو الموصوفة. يعثر على التوابع الكاملة في برنامجنا للتوابع.

حافظ على إبقاء عدد القطع نظيفة وحادة. إن عدد القطع ذات حواف القطع الحادة التي تم صيانتها بعناية تتكلم بشكل أقل ويمكن توجيهها بشكل أيسر.

استخدم العدد الكهربائية والتوابع وعدد الشغل وإلخ. حسب هذه التعليمات. تراعى أثناء ذلك شروط الشغل والعمل المراد تنفيذه. استخدام العدد الكهربائية لغير الأشغال المخصصة لأجلها قد يؤدي إلى حدوث الحالات الخطيرة.

الخدمة

اسمع بتصليح عدتك الكهربائية فقط من قبل العمال المتخصصين و فقط باستعمال قطع الغيار الأصلية. يؤمن ذلك المحافظة على أمان الجهاز.

تعليمات الأمان لمناشير قطع النماذج/

المنحنيات

أمسك بالعدة الكهربائية من سطوح القبض المعزولة عند إجراء الأعمال التي من الجائز أن تصيب بها ملحقات القطع الخطوط الكهربائية المخفية أو الكابل الكهربائي الخاص بالعدة الكهربائية. حيث إن ملامسة تلمعات القطع لسلك يسري فيه التيار الكهربائي من شأنه أن ينقل الجهد الكهربائي للأجزاء المعدنية المكشوفة بالعدة الكهربائية ويؤدي لحدوث صدمة كهربائية للمشغل.

أبعد يدك عن مجال النشر. لا تقبض بيدك إلى ما تحت قطعة الشغل. إن ملامسة نصل المنشار يؤدي إلى تشكل مخاطر الإصابة بجروح.

وجه العدة الكهربائية نحو قطعة الشغل فقط عندما تكون في حالة التشغيل. قد يتشكل خطر الصدمات الارتدادية إن تكلمت عدة الشغل في قطعة الشغل.

انتبه إلى ارتكاز صفيحة القاعدة 0 بأمان أثناء النشر. إن نصل المنشار المنقسط قد يكسر أو قد يؤدي إلى صدمة ارتدادية.

اطفئ العدة الكهربائية بعد إنهاء عملية الشغل ولا تسحب نصل المنشار عن القطع إلا بعد أن يتوقف عن الحركة. إنك ستجنب الصدمة الارتدادية بذلك وستتمكن من ركن العدة الكهربائية بأمان.

استخدم فقط نصال المنشار الغير تالفة والسليمة تماما. إن نصال المنشار الملتوية أو الكليية قد تنكسر أو تؤثر سلبيا على القطع أو قد تتسبب بصدمة ارتدادية.

لا تكبح حركة نصل المنشار بعد الإطفاء بضغط جانبي معاكس. قد يتلف نصل المنشار أو يكسر أو بسبب صدمة ارتدادية.

استخدم أجهزة تنقيب ملائمة للعثور على خطوط الامداد المخفية أو استعن بشركة الامداد المحلية. إن ملامسة الخطوط الكهربائية قد يؤدي إلى اندلاع النار وإلى الصدمات الكهربائية. إتلاف خط الغاز قد يؤدي إلى الانفجارات. اختراق خط الماء يشكل الأضرار المادية أو قد يؤدي إلى الصدمات الكهربائية.

أمن قطعة الشغل. يتم القبض على قطعة الشغل التي تم تثبيتها بواسطة تجهيزة شد أو بواسطة الملزمة بأمان أكبر مما لو تم المسك بها بواسطة يدك.

انتظر إلى أن تتوقف العدة الكهربائية عن الحركة قبل أن تضعها جانباً. قد تتكلم عدة الشغل فتؤدي إلى فقدان السيطرة على العدة الكهربائية.



أمان الأشخاص

- ◀ **كن يقظاً وانتبه إلى ما تفعله و قم بالعمل بواسطة العدة الكهربائية بتعقل. لا تستخدم عدة كهربائية عندما تكون متعب أو عندما تكون تمت تأثير المخدرات أو الكحول أو الأدوية. عدم الانتباه للحظة واحدة عند استخدام العدة الكهربائية قد يؤدي إلى إصابات خطيرة.**
- ◀ **ارتد عتاد الوقاية الخاص وارتد دائماً نظارات واقية. يحد ارتداء عتاد الوقاية الخاص، كقناع الوقاية من الغبار وأذنية الأمان الواقية من الانزلاق والخوذ أو واقية الأذنين، حسب نوع واستعمال العدة الكهربائية، من خطر الإصابة بجروح.**
- ◀ **تجنب التشغيل بشكل غير مقصود. تأكد من كون العدة الكهربائية مطفأة قبل وصلها بإمداد التيار الكهربائي و/أو بالمركم، وقبل رفعها أو حملها. إن كنت تضع إصبعك على المفتاح أثناء حمل العدة الكهربائية أو إن وصلت الجهاز بالشبكة الكهربائية عندما يكون قيد التشغيل، فقد يؤدي ذلك إلى حدوث الحوادث.**
- ◀ **انزع عدد الضبط أو مفتاح الربط قبل تشغيل العدة الكهربائية. قد تؤدي العدة أو المفتاح المتواجد في جزء دوار من الجهاز إلى الإصابة بجروح.**
- ◀ **تجنب أوضاع الجسد الغير طبيعية. قف بأمان وحافظ على توازنك دائماً. سيسم لك ذلك من السيطرة على الجهاز بشكل أفضل في المواقف الغير متوقعة.**
- ◀ **ارتد ثياب مناسبة. لا ترتد الثياب الضمضاة أو المللى. حافظ على إبقاء الشعر والثياب والقفازات على بعد عن أجزاء الجهاز المتحركة. قد تشابك الثياب الضمضاة والمللى والشعر الطويل بالأجزاء المتحركة.**
- ◀ **إن جاز تركيب تجهيزات شطف وتجميع الغبار، فتأكد من أنها موصولة وبأمان يتم استخدامها بشكل سليم. قد يقلل استخدام تجهيزات لشطف الأعبرة من المخاطر الناتجة عن الأعبرة.**
- ◀ **حسن معاملة واستخدام العدد الكهربائية**
- ◀ **لا تفرط بتحميل الجهاز. استخدم لتنفيذ أشغالك العدة الكهربائية المخصصة لذلك. إنك تعمل بشكل أفضل وأكثر أماناً بواسطة العدة الكهربائية الملائمة في مجال الأداء المذكور.**
- ◀ **لا تستخدم العدة الكهربائية إن كان مفتاح تشغيلها تالف. العدة الكهربائية التي لم تعد تسمح بتشغيلها أو بإطافئها خطيرة ويجب أن يتم تصليحها.**
- ◀ **اسحب القابض من المقبض و/أو انزع المركم قبل ضبط الجهاز وقبل استبدال قطع التوايح أو قبل وضع الجهاز جانباً. تمنع إجراءات الاحتياط هذه تشغيل العدة الكهربائية بشكل غير مقصود.**
- ◀ **احتفظ بالعدد الكهربائية التي لا يتم استخدامها بعيداً عن منال الأطفال. لا تسمح باستخدام العدة الكهربائية لمن لا خبرة له بها أو لمن لم يقرأ تلك التعليمات. العدد الكهربائية خطيرة إن تم استخدامها من قبل أشخاص دون خبرة.**
- ◀ **اعتن بالعدة الكهربائية بشكل جيد. تفحص عما إذا كانت أجزاء الجهاز المتحركة تعمل بشكل سليم وبأنها غير مستعصبة عن الحركة أو إن كانت هناك أجزاء مكسورة أو تالفة لدرجة تؤثر فيها على حسن أداء العدة الكهربائية. ينبغي تصليح هذه الأجزاء التالفة قبل إعادة تشغيل الجهاز. الكثير من الحوادث مصدرها العدد الكهربائية التي تم صيانتها بشكل رديء.**

عربي

تعليمات الأمان

ملاحظات تحذيرية عامة للعدد الكهربائية

- ⚠ **تحذير اقرأ جميع الملاحظات التحذيرية والتعليمات. إن ارتكاب الأخطاء عند تطبيق الملاحظات التحذيرية والتعليمات قد يؤدي إلى الصدمات الكهربائية، إلى نشوب الحرائق و/أو الإصابة بجروح خطيرة.**

احتفظ بجميع الملاحظات التحذيرية والتعليمات للمستقبل.

يقصد بمصطلح "العدة الكهربائية" المستخدم في الملاحظات التحذيرية، العدد الكهربائية الموصولة بالشبكة الكهربائية (بواسطة كابل الشبكة الكهربائية) وأيضاً العدد الكهربائية المزودة بمركم (دون كابل الشبكة الكهربائية).

الأمان بمكان الشغل

- ◀ **حافظ على نظافة وحسن إضاءة مكان شغلك. الفوضى في مكان الشغل ومجالات العمل الغير مضاءة قد تؤدي إلى حدوث الحوادث.**
- ◀ **لا تشتغل بالعدة الكهربائية في محيط معرض لخطر الانفجار والذي تتوفر فيه السوائل أو الغازات أو الأعبرة القابلة للاشتعال. العدد الكهربائية تشكل الشر الذي قد يتطاير، فيشعل الأعبرة والأبيرة.**
- ◀ **حافظ على بقاء الأطفال وغيرهم من الأشخاص على بعد عندما تستعمل العدة الكهربائية. قد تفقد السيطرة على الجهاز عند التلهي.**

الأمان الكهربائي

- ◀ **يجب أن يتلائم قابس وصل العدة الكهربائية مع المقبض. لا يجوز تغيير القابض بأي حال من الأحوال. لا تستعمل القوابس المهيأة مع العدد الكهربائية المؤرصة تأريض وقتاني. تخفض القوابس التي لم يتم تغييرها والمقابس الملائمة من خطر الصدمات الكهربائية.**
- ◀ **تجنب ملامسة السطوح المؤرصة كالأنابيب ورادياتورات التدفئة والمدافئ أو البرادات بواسطة جسمك. يزداد خطر الصدمات الكهربائية عندما يكون جسمك مؤرض.**
- ◀ **أبعد العدة الكهربائية عن الأمطار أو الرطوبة. يزداد خطر الصدمات الكهربائية إن تسرب الماء إلى داخل العدة الكهربائية.**
- ◀ **لا تسيء استعمال الكابل لحمل العدة الكهربائية أو لتعليقها أو لسحب القابض من المقبض. حافظ على إبعاد الكابل عن الحرارة والزيت والحواف الحادة أو عن أجزاء الجهاز المتحركة. تزيد الكابلات التالفة أو المتشابكة من خطر الصدمات الكهربائية.**
- ◀ **استخدم فقط كابلات التمديد الصالحة للاستعمال الخارجي أيضاً عندما تشتغل بالعدة الكهربائية في الخلاء. يخفض استعمال كابل تمديد مخصص للاستعمال الخارجي من خطر الصدمات الكهربائية.**
- ◀ **إن لم يكن بالإمكان تجنب تشغيل العدة الكهربائية في الأجواء الرطبة، فاستخدم مفتاح للوقاية من التيار المتخلف. إن استخدم مفتاح للوقاية من التيار المتخلف يقلل خطر الصدمات الكهربائية.**



راهنمائی های عملی

پیش از انجام هرگونه کاری بر روی ابزار الکتریکی، دوشاخه اتصال آنرا از داخل پریز برق بیرون بکشید.

برای کار روی قطعات کوچک و یا نازک باید همیشه یک زمینه محکم انتخاب کنید و یا از میز اره استفاده کنید. (متعلقات).

قبل از اره کاری روی چوب، نئوپان، مواد ساختمانی و مواد مشابه باید مواظب باشید که اشیاء خارجی مانند میخ، پیچ و مانند آنها روی آنها نباشد و در اینصورت آن اشیاء را بردارید.

حفاظ ایمنی در برابر تماس با تیغه اره

حفاظ ایمنی 9 در برابر تماس با تیغه اره که در بدنه ابزار برقی تعبیه شده است، از تماس ناخواسته با تیغه اره در حین کار جلوگیری بعمل می آورد و نباید برداشته شود.

برشهای عمقی (جیبی) (رجوع شود به تصویر D)

این نوع اره کاری برای ایجاد برش جیبی (عمقی) فقط در مواد نرم از جمله چوب، برد گچی (کارتن گچی) و مانند آنها مجاز است! این نوع برش عمقی را هیچگاه بر روی قطعات فلزی انجام ندهید!

برای اره کاری بمنظور ایجاد برش عمقی (جیبی)، فقط تیغه های اره کوتاه را بکار گیرید. اره کردن بمنظور ایجاد برش عمقی فقط با زاویه برش فارسی صفر درجه ممکن است. ابزار برقی را از سمت لبه جلوی صفحه پایه 5 بر روی قطعه کار قرار داده، بدون اینکه تیغه اره 8 با قطعه کار تماس پیدا کند. سپس دستگاه را روشن کنید. در ابزارهای برقی که در آنها امکان تنظیم تعداد ضربه وجود دارد، حداکثر تعداد ضربه را انتخاب کنید. ابزار برقی را محکم به قطعه کار فشار داده و بگذارید تیغه اره به آرامی در داخل قطعه حرکت کند.

همینکه صفحه پایه 5 بطور کامل بر روی قطعه کار قرار گرفت، در ادامه خط برش به اره کردن ادامه دهید.

ماده خنک کننده و روغن کاری

از آنجا که فلز هنگام برش داغ میشود، باید در مسیر خط برش از ماده خنک کننده و روغن استفاده کنید.

مراقبت و سرویس

مراقبت، تعمیر و تمیز کردن دستگاه

پیش از انجام هرگونه کاری بر روی ابزار الکتریکی، دوشاخه اتصال آنرا از داخل پریز برق بیرون بکشید.

ابزار الکتریکی و شیارهای تهویه آنرا تمیز نگاه دارید، تا ایمنی شما در کار تضمین گردد.

در صورت نیاز به یک کابل یدکی برای اتصال به شبکه برق، بایستی به شرکت بوش و یا به نمایندگی مجاز بوش (خدمات پس از فروش) برای ابزار آلات برقی بوش مراجعه کنید تا از بروز خطرات ایمنی جلوگیری بعمل آید.

قسمت نگهدارنده (ابزارگیر) تیغه اره را مرتب تمیز کنید. برای این منظور تیغه اره را از داخل ابزار برقی بیرون آورید و دستگاه را بر روی یک سطح صاف و نرم کمی تکان دهید.

آلوده شدن بیش از حد ابزار برقی، میتواند باعث ایجاد اختلال در آن شود. بنا براین نباید ماده هایی را که بیش از حد ایجاد گرد و خاک میکنند، از پایین به بالا اره کنید.

تحت شرایط کاری حاد، در صورت امکان همواره از یک دستگاه مکش استفاده کنید. تمیز کردن مکرر شیارهای تهویه از طریق دمش فشار هوا و روشن کردن کلید محافظ (PRCD) جریان خطا و نشستی زمین (کلید قطع کننده اتصال با زمین) توصیه میشود. هنگام کار با فلزات، امکان تجمع گرد فلزات که هادی می باشد در قسمت های داخلی ابزار برقی وجود دارد. امکان آسیب دیدن و از بین رفتن حفاظ روکش عایق ابزار برقی وجود دارد.

قرقره راهنما 7 را گاهی با یک قطره روغن چرب کنید.

قرقره راهنما 7 را مرتب کنترل کنید. در صورتیکه کهنه شده باشد، باید آنرا توسط تعمیرگاه مجاز ابزارآلات بوش تعویض کنید.

خدمات پس از فروش و مشاوره

مشتریان

دفتر خدمات پس از فروش به سئوالات شما در باره تعمیرات، سرویس و همچنین قطعات یدکی و متعلقات پاسخ خواهد داد. تصاویر و اطلاعات در باره قطعات یدکی و متعلقات را میتوانید در سایت نامبرده زیر جستجو نمایید:

www.bosch-pt.com

تیم مشاور خدمات پس از فروش شرکت بوش با کمال میل به سئوالات شما در باره خرید، طرز استفاده و تنظیم محصولات و متعلقات پاسخ میدهد.

برای هرگونه سؤال و یا سفارش ابزار یدکی و متعلقات، حتما شماره فنی ده رقمی کالا را مطابق برچسب روی ابزار برقی اطلاع دهید.

ایران

رپورت بوش - ایران

میدان ونک، خیابان خدمات

تقاطع آفتاب، پلاک 3، برج مادران، طبقه 3

تهران 1994834571

تلفن: +98 21 86092057

از رده خارج کردن دستگاه

ابزار برقی، متعلقات و بسته بندی آن، باید طبق مقررات حفظ محیط زیست از رده خارج و بازیافت شوند.

ابزارهای برقی را داخل زباله دان خانگی نیاندازید!



حق هرگونه تغییری محفوظ است.



طرز کار با دستگاه

انواع عملکردها

◀ پیش از انجام هرگونه کاری بر روی ابزار الکتریکی، دوشاخه اتصال آنرا از داخل پریز برق بیرون بکشید.

نحوه تنظیم حرکت افقی (پاندولی)

با تنظیم حرکت افقی (پاندولی) که در چهار درجه امکان پذیر است، میتوانید سرعت و توان برش و میزان ضربه، همچنین تصویر برش را بر حسب نوع قطعه کار مورد نظر تطبیق دهید.

بوسیله کلید اهرمی 6 برای تنظیم حرکت افقی (پاندولی) تیغه اهر، میتوانید میزان حرکت افقی تیغه اهر را در حین کار با دستگاه نیز تنظیم کنید.

درجه 0 بدون حرکت افقی (پاندولی)

درجه 1 حرکت افقی (پاندولی) کم

درجه 2 حرکت افقی (پاندولی) متوسط

درجه 3 حرکت افقی (پاندولی) سریع/بزرگ

در تجربه عملی میتوانید میزان حرکت پاندولی (افقی) ایده آل را برای کار مورد نظر بدست آورید. برای این منظور به این پیشنهادات توجه کنید:

- برای دستیابی به لبه برش ظریف و تمیز، بایستی میزان حرکت پاندولی/حرکت افقی تیغه اهر را کم و یا قطع کنید. هر چه میزان حرکت افقی (پاندولی) تیغه اهر کمتر باشد، لبه برش ظریف تری حاصل میگردد.
- برای برش و کار بر روی قطعات نازک (از جمله ورقهای فلزی)، باید حرکت افقی (پاندولی) تیغه اهر را قطع و خاموش کنید.
- برای برش و کار بر روی قطعات سخت (از جمله فولاد)، باید با حرکت افقی (پاندولی) کم کار کنید.
- برای برش و کار بر روی قطعات نرم و همچنین به هنگام برش چوب در مسیر بافت آن، میتوانید با حداکثر میزان حرکت افقی (پاندولی) تیغه اهر کار کنید.

تنظیم زاویه برش فارسی (رجوع شود به تصویر C)

پیچ 15 را شل کنید و صفحه پایه 5 را کمی به سوی کابل برق برانید.

بمنظور تنظیم دقیق زاویه برش فارسی، صفحه پایه دارای نقاط مشخص توقف بطرف راست و چپ در زاویه های بین صفر و 45° می باشد. صفحه پایه 5 را مطابق با درجه بندی زاویه 14 تحت زاویه و حالت مورد نظر بچرخانید. سایر درجات زاویه برش فارسی را میتوان با استفاده از یک گونیا تنظیم نمود.

سپس صفحه پایه 5 را تا نقطه ایست در جهت تیغه اهر 8 فشار دهید.

پیچ 15 را مجدداً محکم کنید.

صفحه محافظ تیغه 13 را نمیتوان هنگام برش زاویه دار (زاویه فارسی بر) به کار برد.

جا بجا کردن صفحه پایه (رجوع شود به تصویر C)

برای اهر کردن در نزدیک حاشیه می توانید صفحه پایه 5 را به سمت عقب بکشید.

پیچ 15 را شل کنید و صفحه پایه 5 را تا انتها کمی به سوی کابل برق برانید.

پیچ 15 را مجدداً محکم کنید.

اهر کاری با صفحه پایه ی جا به جا شده 5 تنها با یک زاویه 0° ممکن است. حفاظ در برابر تراشه 13 را نباید بکار برد.

راه اندازی و نحوه کاربرد دستگاه

◀ به ولتاژ برق شبکه توجه کنید! ولتاژ منبع جریان برق باید با مقادیر موجود بر روی برچسب ابزار الکتریکی مطابقت داشته باشد. ابزارهای برقی را که با ولتاژ 230 V ولت مشخص شده اند، می توان تحت ولتاژ 220 V ولت نیز بکار برد.

نحوه روشن و خاموش کردن

برای روشن کردن ابزار برقی، کلید قطع و وصل 3 را فشار دهید.

برای قفل و تثبیت کلید قطع و وصل 3، آنرا فشار دهید و نگهدارید و دکمه قفل کننده 1 را بطرف راست و یا چپ فشار دهید.

برای خاموش کردن ابزار برقی، کلید قطع و وصل 3 را رها کنید. در صورت قفل بودن کلید قطع و وصل 3 باید نخست آنرا فشار داده و دوباره رها کنید.

نحوه تنظیم/انتخاب تعداد ضربه

شما میتوانید تعداد ضربه (سرعت) را بطور دلخواه تنظیم کنید. این بستگی به این دارد که کلید قطع و وصل 3 را تا چه حد فشار دهید.

فشار کم بر روی کلید قطع و وصل 3، میزان و تعداد ضربه را کاهش میدهد. با افزایش فشار بر روی کلید قطع و وصل، تعداد ضربه افزایش می یابد.

در صورت قفل بودن کلید قطع و وصل 3، کاهش تعداد ضربه امکان پذیر نمی باشد.

بوسیله کلید قابل چرخش 2 برای انتخاب تعداد ضربه، میتوانید تعداد ضربه را به هنگام کار با دستگاه نیز انتخاب کنید.

تعداد و سرعت ضربه ایده آل به نوع و جنس قطعه کار و شرایط کاری بستگی دارد و با تجربه عملی بدست می آید. کاهش تعداد ضربه (سرعت) به هنگام قرار دادن تیغه اهر بر روی قطعه کار و همچنین برای اهر کردن مواد پلاستیکی و آلومینیوم پیشنهاد میشود.

در صورت کارکرد دستگاه ظرف مدت زمان زیادی با تعداد ضربه کم، امکان داغ شدن دستگاه وجود دارد. تیغه اهر را در آورده و بگذارید ابزار برقی جهت خنک شدن بمدت 3 دقیقه با حداکثر سرعت و تعداد ضربه، روشن باقی بماند.

نحوه قرار دادن تیغه اره (رجوع شود به تصویر A1)

تیغه اره 8 را با دندان‌ه‌هایش در جهت برش برانید تا در میله ی ضربه 11 جا بیفتد. اهرم SDS 12 به طور خودکار به پشت می پرد و تیغه اره قفل می گردد. اهرم 12 را با دست به پشت نرانید، شاید اینگونه به ابزار برقی صدمه بزنید.

هنگام جا انداختن تیغه اره توجه داشته باشید که پشت تیغه اره در شیار قرقره راهنما 7 قرار گیرد.

◀ از جا افتادن و نشست محکم تیغه اره اطمینان حاصل کنید. چنانچه تیغه اره بطور محکم قرار نگرفته باشد، ممکن است بیرون افتاده و باعث جراحت شما شود.

خارج کردن تیغه اره (رجوع شود به تصویر A2)

◀ ابزار برقی را به هنگام خروج تیغه اره طوری نگه دارید که اشخاص و یا حیوانات در اثر خروج آن مجروح نشوند.

کلید اهرمی SDS 12 را درجهت حفاظ ایمنی 9 در برابر تماس با تیغه اره، به طرف جلو بچرخانید. حال تیغه اره آزاد شده و بیرون می افتد.

نحوه قرار دادن صفحه محافظ تیغه**(رجوع شود به تصویر B)**

صفحه محافظ تیغه 13 (متعلقات) قادر به جلوگیری از پوسته برداشتن سطح قطعه کار هنگام اره کردن چوب می باشد. این وسیله حفاظ را میتوان منحصراً برای مدل های خاصی از تیغه های اره و فقط برای برش با زاویه صفر درجه بکار برد. هنگام اره کاری با استفاده از صفحه محافظ تیغه، نباید صفحه پایه 5 در هنگام اره کاری در حاشیه قطعه کار بطرف عقب کشیده و جابجا شود.

صفحه محافظ تیغه 13 را از قسمت پائین (تحتانی) به صفحه پایه 5 فشار دهید.

مکش گرد، براده و تراشه

◀ گرد و غبار موادی مانند رنگ های دارای سرب، بعضی از چوب ها، مواد معدنی و فلزات میتوانند برای سلامتی مضر باشند. دست زدن و یا تنفس کردن گرد و غبار ممکن است باعث بروز آلرژی و یا بیماری مجاری تنفسی شخص استفاده کننده و یا افرادی که در آن نزدیکی میباشند، بشود.

گرد و غبارهای مخصوصی مانند گرد و غبار درخت بلوط و یا درخت راش سرطان زا هستند. بخصوص ترکیب آنها با سایر موادی که برای کار بر روی چوب (کرومات، مواد برای محافظت از چوب) بکار برده میشوند. فقط افراد متخصص مجازند با موادی که دارای آزیست میباشند کار کنند.

- توجه داشته باشید که محل کار شما از تهویه هوای کافی برخوردار باشد.
- توصیه میشود از ماسک تنفسی ایمنی با درجه فیلتر P2 استفاده کنید.

به قوانین و مقررات معتبر در کشور خود در رابطه با استفاده از مواد و قطعات کاری توجه کنید.

◀ از تجمع گرد و غبار در محل کار خود جلوگیری بعمل آورید. گرد و غبار می توانند به آسانی مشتعل شوند.

9 حفاظ ایمنی در برابر تماس با تیغه اره

10 دسته (با روکش عایق دار)

11 میله ضربه

12 اهرم مجهز به SDS برای باز کردن قفل تیغه اره

13 محافظ برش سطح

14 درجه بندی زاویه فارسی بر

15 پیچ

* کلیه متعلقاتی که در تصویر و یا در متن آمده است، بطور معمول همراه دستگاه ارائه نمی شود. لطفاً لیست کامل متعلقات را از فهرست برنامه متعلقات اقتباس نمایید.

مشخصات فنی

ارهِ عمود بر		GST 8000 E
شماره فنی		3 601 E8H 0..
قدرت ورودی نامی		710 W
تعداد ضربه (سرعت) در حالت آزاد n_0		800-3100 min^{-1}
ضربه		20 mm
حد اکثر عمق برش		
- در چوب		80 mm
- در آلومینیوم		20 mm
- در فولاد (بدون آلیاژ)		10 mm
حداکثر زاویه برش (راست/چپ)		45 °
وزن مطابق استاندارد EPTA-Procedure 01:2014		2,5 kg
کلاس ایمنی		II/□

این اطلاعات برای ولتاژ نامی [U] 230V ولت می باشند و در صورت تغییر ولتاژ و یا در کشورهای دیگر می توانند تغییر کنند.

نصب

◀ پیش از انجام هرگونه کاری بر روی ابزار الکتریکی، دوشاخه اتصال آنرا از داخل پریز برق بیرون بکشید.

نحوه قرار دادن/تعویض تیغه اره

◀ هنگام مونتاژ تیغه اره از دستکش ایمنی استفاده کنید. تماس با تیغه اره باعث جراحت خواهد شد.

انتخاب تیغه اره

در آخر این جزوه لیستی برای تیغه اره های پیشنهاد شده وجود دارد. تنها از تیغه اره های دارای (شفت T) استفاده کنید. بلندی تیغه اره باید با برش مورد نیاز مطابقت داشته باشد.

برای برش های منحنی با شعاع کم از تیغه اره باریک استفاده کنید.



- ◀ قبل از تنظیم ابزار الکتریکی، تعویض متعلقات و یا کنار گذاشتن آن، دوشاخه را از برق کشیده و یا باتری آنرا خارج کنید. رعایت این اقدامات پیشگیری ایمنی از راه افتادن ناخواسته ابزار الکتریکی جلوگیری می کند.
- ◀ ابزار الکتریکی را در صورت عدم استفاده، از دسترس کودکان دور نگهدارید. اجازه ندهید که افراد ناوارد و یا اشخاصی که این دفترچه راهنما را نخوانده اند، با این دستگاه کار کنند. قرار گرفتن ابزار الکتریکی در دست افراد ناوارد و بی تجربه خطرناک است.
- ◀ از ابزار الکتریکی خوب مراقبت کنید. مواظب باشید که قسمت های متمرک دستگاه خوب کار کرده و گیر نکند. همچنین دقت کنید که قطعات ابزار الکتریکی شکسته و یا آسیب دیده نباشند. قطعات آسیب دیده را قبل از شروع به کار تعمیر کنید. علت بسیاری از سوانح کاری، عدم مراقبت کامل از ابزارهای الکتریکی می باشد.
- ◀ ابزار برش را تیز و تمیز نگهدارید. ابزار برشی که خوب مراقبت شده و از لبه های تیز برخوردارند، کمتر در قطعه کار گیر کرده و بهتر قابل هدایت می باشند.
- ◀ ابزارهای الکتریکی، متعلقات، ابزارهای که روی دستگاه نصب می شوند و غیره را مطابق دستورات این جزوه راهنما طوری به کار بگیرید که با مدل این دستگاه تناسب داشته باشند. همچنین به شرایط کاری و نوع کار توجه کنید. کاربرد ابزار برقی برای موارد کاری که برای آن در نظر گرفته نشده است، میتواند شرایط خطرناکی را منجر شود.
- ◀ قبل از انجام کار، ابزار برقی را خاموش کرده و تیغه اهره را هنگامی از داخل برش قطعه خارج کنید که دستگاه کاملاً متوقف شده باشد. بدین ترتیب از ضربه زدن (پس زدن) دستگاه جلوگیری بعمل می آید و میتوانید ابزار برقی را بطور مطمئن کنار بگذارید.
- ◀ تنها از تیغه اهره های سالم و بی نقص استفاده کنید. تیغه اهره های تاب دار و کند ممکن است بشکنند، برش را تحت تأثیر منفی قرار دهند یا منجر به پس زدن شوند.
- ◀ بعد از خاموش کردن دستگاه، تیغه اهره را با وارد آوردن فشار جانبی به آن، متوقف نکنید. تیغه اهره ممکن است آسیب دیده، بشکند و یا باعث پس زدن دستگاه شود.
- ◀ برای یافتن لوله ها و سیمهای برق پنهان تأسیسات، از دستگاه های ردیاب مناسب آن استفاده کنید و در صورت نیاز با شرکت های کارهای تأسیسات ساختمان محل تماس بگیرید. تماس با سیم های برق میتواند باعث آتش سوزی و یا برق گرفتگی شود. آسیب دیدن لوله گاز می تواند باعث ایجاد انفجار شود. سوراخ شدن لوله آب، باعث خسارت و یا برق گرفتگی میشود.
- ◀ قطعه کار را محکم کنید. در صورتیکه قطعه کار به وسیله تجهیزات نگهدارنده و یا بوسیله گیره محکم شده باشد، قطعه کار مطمئن تر نگه داشته میشود، تا اینکه بوسیله دست نگهداشته شود.
- ◀ قبل از کنار گذاشتن ابزار برقی صبر کنید تا دستگاه بطور کامل از کار و حرکت بایستد. ابزار و ملقمات دستگاه ممکن است به قطعه کار گیر کرده و کنترل ابزار برقی از دست شما خارج شود.

تشریح دستگاه و عملکرد آن

کلیه دستورات ایمنی و راهنمایی ها را مطالعه کنید. اشتباهات ناشی از عدم رعایت این دستورات ایمنی ممکن است باعث برق گرفتگی، سوختگی و یا سایر جراحات های شدید شود.



موارد استفاده از دستگاه

این ابزار برقی در حالیکه بطور محکم بروی قطعه کار قرار داده شده باشد، برای برش کامل و همچنین برش قسمتی از قطعات داخلی چوب، مواد پلاستیکی، فلزات، صفحات سرامیکی و لاستیکی مناسب است. با آن میتوان برش های مستقیم، منحنی و زاویه فارسی بر 45° ایجاد کرد. به پیشنهادات ارائه شده در مورد تیغه های اهره توجه کنید.

اجزاء دستگاه

شماره های اجزاء دستگاه که در تصویر مشاهده میشود، مربوط به شرح ابزار برقی می باشد که تصویر آن در این دفترچه آمده است.

- 1 دکمه قفل و تثبیت کلید قطع و وصل
- 2 کلید قابل چرخش (کلید دیمپر) برای انتخاب تعداد ضربه
- 3 کلید قطع و وصل
- 4 آچار آلن شش گوش
- 5 صفحه پایه/کفی
- 6 کلید اهرمی تنظیم حرکت افقی (پاندولی) تیغه اهره
- 7 قرقره راهنما
- 8 تیغه اهره*

- ◀ ابزار الکتریکی را در صورت عدم استفاده، از دسترس کودکان دور نگهدارید. اجازه ندهید که افراد ناوارد و یا اشخاصی که این دفترچه راهنما را نخوانده اند، با این دستگاه کار کنند. قرار گرفتن ابزار الکتریکی در دست افراد ناوارد و بی تجربه خطرناک است.
- ◀ از ابزار الکتریکی خوب مراقبت کنید. مواظب باشید که قسمت های متمرک دستگاه خوب کار کرده و گیر نکند. همچنین دقت کنید که قطعات ابزار الکتریکی شکسته و یا آسیب دیده نباشند. قطعات آسیب دیده را قبل از شروع به کار تعمیر کنید. علت بسیاری از سوانح کاری، عدم مراقبت کامل از ابزارهای الکتریکی می باشد.
- ◀ ابزار برش را تیز و تمیز نگهدارید. ابزار برشی که خوب مراقبت شده و از لبه های تیز برخوردارند، کمتر در قطعه کار گیر کرده و بهتر قابل هدایت می باشند.
- ◀ ابزارهای الکتریکی، متعلقات، ابزارهای که روی دستگاه نصب می شوند و غیره را مطابق دستورات این جزوه راهنما طوری به کار بگیرید که با مدل این دستگاه تناسب داشته باشند. همچنین به شرایط کاری و نوع کار توجه کنید. کاربرد ابزار برقی برای موارد کاری که برای آن در نظر گرفته نشده است، میتواند شرایط خطرناکی را منجر شود.

سرویس

- ◀ برای تعمیر ابزار الکتریکی فقط به متخصصین حرفه ای رجوع کرده و از وسائل یدکی اصل استفاده کنید. این باعث خواهد شد که ایمنی دستگاه شما تضمین گردد.

نکات ایمنی در رابطه با اهره های عمود بر

- ◀ چنانچه بسته به نوع کار خود، امکان تماس متعلقات ابزار با کابل های برق (داخل ساختمان) که قابل رؤیت نیستند و یا کابل خود ابزار برقی وجود داشته باشد، بایستی ابزار برقی را از محل دسته و سطوح عایق دار آن در دست بگیرید. تماس با سیم و کابلی که هادی جریان برق است، می تواند جریان برق را به بخش های فلزی دستگاه نیز انتقال دهد و باعث برق گرفتگی شود.
- ◀ دستهایتان را از اطراف تیغه اهره دور نگهدارید. دست خود را به قسمت زیر قطعه کار نزدیک نکنید. تماس با تیغه اهره باعث جراحت خواهد شد.
- ◀ ابزار برقی را تنها در حال روشن بودن به قطعه کار نزدیک کنید. در غیر اینصورت ممکن است ابزار روی دستگاه در قطعه کار گیر کرده و باعث ضربه زدن (پس زدن) دستگاه شود.
- ◀ توجه داشته باشید که صفحه پایه 0 هنگام اهره کردن بطور مطمئن روی قطعه قرار گیرد. اگر تیغه اهره در قطعه کار گیر کند، ممکن است بشکند و یا باعث ضربه برگشتی (پس زدن) دستگاه شود.



فارسی

راهنمائی های ایمنی

راهنمائی های ایمنی عمومی برای ابزارهای الکتریکی

⚠ هشدار همه دستورات ایمنی و راهنمائی ها را بخوانید. اشتباهات ناشی از عدم رعایت این دستورات ایمنی ممکن است باعث برق گرفتگی، سوختگی و یا سایر جراحات های شدید شود.

همه هشدار های ایمنی و راهنمائی ها را برای آینده خوب نگهداری کنید.

هر جا در این راهنما از «ابزار الکتریکی» صحبت میشود، منظور ابزارهای الکتریکی (با سیم برق) و یا ابزارهای الکتریکی باتری دار (بدون سیم برق) می باشد.

ایمنی محل کار

محل کار خود را تمیز، مرتب و مجهز به نور کافی نگهدارید. محیط کار نامرتب و کم نور میتواند باعث سوانح کاری شود.

با ابزار الکتریکی در محیط هایی که در آن خطر انفجار وجود داشته و حاوی مایعات، گازها و بخارهای محترقه باشد، کار نکنید. ابزار های الکتریکی جرقه هایی ایجاد می کنند که می توانند باعث آتش گرفتن گرد و غبارهای موجود در هوا شوند.

هنگام کار با ابزار الکتریکی، کودکان و سایر افراد را از دستگاه دور نگهدارید. در صورتیکه حواس شما پرت شود، ممکن است کنترل دستگاه از دست شما خارج شود.

ایمنی الکتریکی

دوشاخه ابزار الکتریکی باید با پریز برق تناسب داشته باشد. هیچگونه تغییری در دوشاخه ندهید. مبدل دوشاخه نباید همراه با ابزار الکتریکی دارای اتصال به زمین استفاده شود. دوشاخه های اصل و تغییر داده نشده و پریزهای مناسب، خطر شوک الکتریکی و برق گرفتگی را کم می کنند.

از تماس بدنی با قطعات متصل به سیم اتصال به زمین مانند لوله، شوفاژ، اجاق برقی و یخچال خودداری کنید. در صورت تماس بدنی با سطوح و قطعات دارای اتصال به زمین و همچنین تماس شما با زمین، خطر برق گرفتگی افزایش می یابد.

دستگاه را از باران و رطوبت دور نگهدارید. نفوذ آب به ابزار الکتریکی، خطر شوک الکتریکی را افزایش میدهد.

از سیم دستگاه برای کارهایی چون حمل ابزار الکتریکی، آویزان کردن آن و یا خارج کردن دوشاخه از برق استفاده نکنید. کابل دستگاه را در مقابل حرارت، روغن، لبه های تیز و بخش های متحرک دستگاه دور نگهدارید. کابل های آسیب دیده و یا گره خورده خطر شوک الکتریکی را افزایش میدهند.

در صورتیکه با ابزار الکتریکی در محیط باز کار میکنید، تنها از کابل رابطی استفاده کنید که برای محیط باز نیز مناسب باشد. کابل های رابط مناسب برای محیط باز، خطر برق گرفتگی را کم می کنند.

در صورت لزوم کار با ابزار برقی در محیط و اماکن مرطوب، باید از یک کلید حفاظتی جریان خطا و نشستی زمین (کلید قطع کننده اتصال با زمین) استفاده کنید. استفاده از کلید حفاظتی جریان خطا و نشستی زمین خطر برق گرفتگی را کاهش می دهد.

رعایت ایمنی اشخاص

حواس خود را خوب جمع کنید، به کار خود دقت کنید و با فکر و هوش کامل با ابزار الکتریکی کار کنید. در صورت خستگی و یا در صورتیکه مواد مخدر، الکل و دارو استفاده کرده اید، با ابزار الکتریکی کار نکنید. یک لحظه بی توجهی هنگام کار با ابزار الکتریکی، میتواند جراحات های شدیدی به همراه داشته باشد.

از تجهیزات ایمنی شخصی و از عینک ایمنی همواره استفاده کنید. استفاده از تجهیزات ایمنی مانند ماسک ایمنی، کفش های ایمنی ضد لغزش، کلاه ایمنی و گوشی ایمنی متناسب با نوع کار با ابزار الکتریکی، خطر مجروح شدن را کاهش میدهد.

مواظب باشید که ابزار الکتریکی بطور ناخواسته بکار نیفتد. قبل از وارد کردن دوشاخه دستگاه در پریز برق، اتصال آن به باتری، برداشتن آن و یا حمل دستگاه، باید دقت کنید که ابزار الکتریکی خاموش باشد. در صورتیکه هنگام حمل دستگاه انگشت شما روی دکمه قطع و وصل باشد و یا دستگاه را در حالت روشن به برق بزنید، ممکن است سوانح کاری پیش آید.

قبل از روشن کردن ابزار الکتریکی، باید همه ابزارهای تنظیم کننده و آچار ها را از روی دستگاه بردارید. ابزار و آپارهایی که روی بخش های چرخنده دستگاه قرار دارند، میتوانند باعث ایجاد جراحات شوند.

وضعیت بدن شما باید در حالت عادی قرار داشته باشد. برای کار جای مطمئنی برای خود انتخاب کرده و تعادل خود را همواره حفظ کنید. به این ترتیب می توانید ابزار الکتریکی را در وضعیت های غیر منتظره بهتر تحت کنترل داشته باشید.

لباس مناسب بپوشید. از پوشیدن لباس های گشاد و حمل زینت آلات خودداری کنید. موها، لباس و دستکش ها را از بخش های در حال چرخش دستگاه دور نگهدارید. لباس های گشاد، موی بلند و زینت آلات ممکن است در قسمت های در حال چرخش دستگاه گیر کنند.

در صورتیکه میتوانید وسایل مکش گرد و غبار و یا وسیله جمع کننده گرد و غبار را به دستگاه نصب کنید، باید مطمئن شوید که این وسایل درست نصب و استفاده می شوند. استفاده از وسایل مکش گرد و غبار مصونیت شما را در برابر گرد و غبار زیاد تر میکند.

استفاده صحیح از ابزار الکتریکی و مراقبت از آن

از وارد کردن فشار زیاد روی دستگاه خودداری کنید. برای هر کاری، از ابزار الکتریکی مناسب با آن استفاده کنید. بکار گرفتن ابزار الکتریکی مناسب باعث میشود که بتوانید از توان دستگاه بهتر و با اطمینان بیشتر استفاده کنید.

در صورت ایراد در کلید قطع و وصل ابزار برقی، از دستگاه استفاده نکنید. ابزار الکتریکی که نمی توان آنها را قطع و وصل کرد، خطرناک بوده و باید تعمیر شوند.



speed for Wood	T 144 D	<i>fast</i> CUT			±5-50mm
speed for Wood	T 244 D	<i>fast</i> CUT			±5-50mm
precision for Wood	T 144 DP				±5-50mm
clean for Wood	T 101 B	<i>clean</i> CUT			± 3-30mm < 30mm
extra-clean for Wood	T 308 B	<i>extra clean</i> CUT			±5-50mm ±5-50mm
extra-clean for HardWood	T 308 BF	<i>extra clean</i> CUT			±5-50mm ±5-50mm ±5-50mm Multiplex
special for Laminate	T 101 BIF	<i>clean</i> CUT			±1,5-15mm
basic for Metal	T 118 B				±2,5-6mm
PROGRESSOR for Metal	T 123 X	<i>fast</i> CUT			ALU ±1,5-10mm < 30mm < 30mm
special for Alu	T 127 D	<i>fast</i> CUT			ALU < 30mm SP-CLY < 30mm ± 3-15mm
PROGRESSOR for Wood and Metal	T 345 XF	<i>fast</i> CUT			< 65mm < 65mm < 65mm



2 607 010 079 (5x)