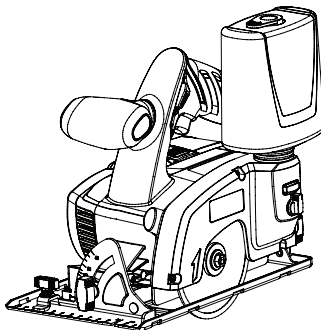


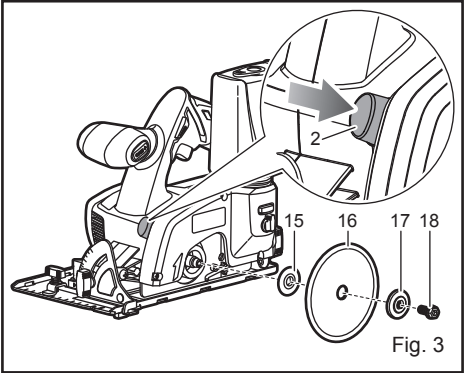
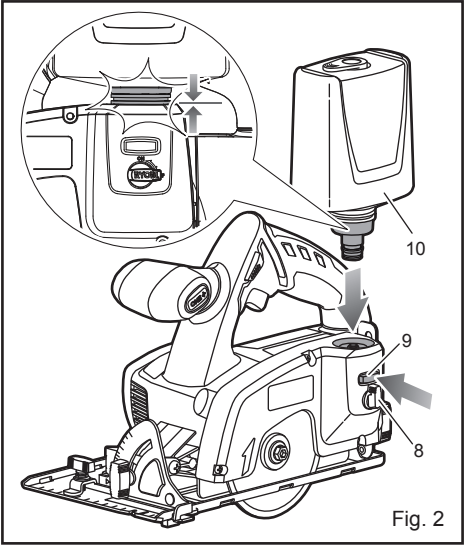
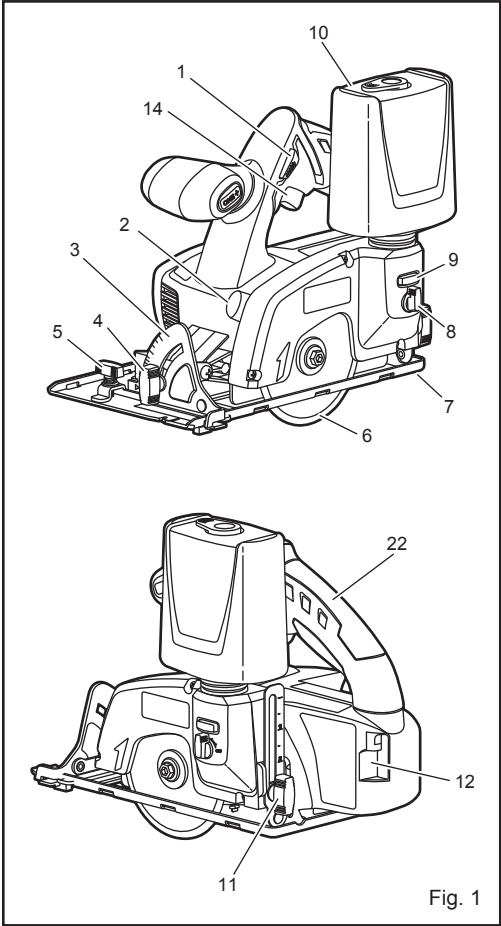
RYOBI®

LTS180

(EN)	18 VOLT WET / DRY TILE SAW	USER'S MANUAL	1
(FR)	SCIE COUPE-CARRELAGE À EAU / À SEC 18 VOLT	MANUEL D'UTILISATION	7
(DE)	18 VOLT NASS / TROCKEN FLIESENSCHNEIDER	BEDIENUNGSANLEITUNG	13
(ES)	SIERRA HÚMEDA/SECA DE 18 VOLT PARA AZULEJOS	MANUAL DE UTILIZACIÓN	20
(IT)	TAGLIERINA PER PIASTRELLE DA 18V PER TAGLIO UMIDO/A SECCO	MANUALE D'USO	26
(NL)	18 VOLT NATTE / DROGE TEGELZAAGMACHINE	GEBRUIKSHANDLEIDING	33
(PT)	SERRA PARA LADRILHO A HÚMIDO / SECO DE 18 VOLTS	MANUAL DE UTILIZAÇÃO	39
(DA)	18 VOLT VÅD/TØR FLISESAV	BRUGERVEJLEDNING	45
(SV)	18 VOLT VÅT-/TORRKAKELKAP	INSTRUKTIONSBOK	51
(FI)	18 VOLTIN MÄRKÄ/KUIVA TIILISAHA	KÄYTTÄJÄN KÄSIKIRJA	57
(NO)	18 VOLT VÅT / TØRR FLISSAG	BRUKSANVISNING	63
(RU)	ПИЛА ДЛЯ РЕЗАНИЯ ПЛИТКИ (СУХОГО И СО СМАЧИВАНИЕМ), 18 В	РУКОВОДСТВО ПО ЭКСПЛУАТАЦИИ	69
(PL)	18V AKUMULATOROWA PIŁA DO CIĘCIA PŁYTEK (NA SUCHO I MOKRO)	INSTRUKCJA OBSŁUGI	77
(CS)	18 VOLTOVÁ PÍLA PRO SUCHÉ/MOKRÉ ŘEZÁNÍ DLAŽDIC	NÁVOD K OBSLUZE	84
(HU)	18 VOLTOS SZÁRAZ/NEDVES CSEMPEVÁGÓ	HANSNÁLATI ÚTMUTATÓ	90
(RO)	MAȘINĂ DE TĂIAT CU DISC DIAMANTAT UMED / USCAT DE 18 VOLȚI	MANUAL DE UTILIZARE	96
(LV)	18 V MITRU/SAUSU FLĪŽU Z ĢIS	LIETOTĀJA ROKASGRĀMATA	102
(LT)	18 VOLTŲ PLYTELIŲ PJOVIMO STAKLĖS PJOVIMUI SAUSU / ŠLAPIU BŪDU	NAUDOJIMO VADOVAS	108
(ET)	PLAADI MÄRG / KUIVSAAG 18 VOLTI	KASUTAJAJUHEND	114
(HR)	MOKRO/SUHA PILA ZA PLOČICE OD 18 VOLTI	KORISNIČKI PRIRUČNIK	120
(SL)	18-VOLTNI MOKRA / SUHA ŽAGA ZA PLOŠČICE	UPORABNIŠKI PRIROČNIK	126
(SK)	18 V PÍLKA NA DLAŽDICE PRE MOKRÉ / SUCHÉ REZANIE	NÁVOD NA POUŽITIE	132
(BG)	18 V ЦИРКУЛЯР ЗА СУХО/МОКРО РЯЗАНЕ НА ПЛОЧКИ	Ръководство за експлоатация за собственика	138
(UK)	ВЕРСТАТ СУХОГО / ВОЛОГОГО РІЗУ ПЛИТКИ 18В	ПОСІБНИКУ КОРИСТУВАЧА	145
(TR)	18 VOLT ISLAK / KURU FAYANS TESTERESİ	KULLANIM KILAVUZU	151
(EL)	ΚΟΠΤΗΣ ΥΓΡΩΝ / ΣΤΕΓΝΩΝ ΠΛΑΚΑΚΙΩΝ 18 VOLT	ΟΔΗΓΙΕΣ ΧΡΗΣΗΣ	157

EN ORIGINAL INSTRUCTIONS | FR TRADUCTION DES INSTRUCTIONS ORIGINALES | DE ÜBERSETZUNG DER ORIGINALANLEITUNG | ES TRADUCCIÓN DE LAS INSTRUCCIONES ORIGINALES | IT TRADUZIONE DELLE ISTRUZIONI ORIGINALI | NL VERTALING VAN DE ORIGINELE INSTRUCTIES | PT TRADUÇÃO DAS INSTRUÇÕES ORIGINAIS | DA ÆVERSÆTTELSE AF DE ORIGINALE INSTRUKTIONER | SV ÖVERSÄTTNING AV DE URSPRUNGLIGA INSTRUKTIONERNA | FI ALKUPERÄISTEN OHJEIDEN SUOMENNOSS | NO ÆVERSÆTTELSE AV DE ORIGINALE INSTRUKSJONENE | RU ПЕРЕВОД ОРИГИНАЛЬНЫХ ИНСТРУКЦИЙ | PL TŁUMACZENIE INSTRUKCJI ORYGINALNEJ | CS PŘEKLAD ORIGINÁLNÍCH POKYNŮ | HU AZ EREDETI ÚTMUTATÓ FORDÍTÁSA | RO TRADUCEREA INSTRUCȚIUNILOR ORIGINALE | LV TULKOTS NO ORIGINĀLĀS INSTRUKCIJAS | LT ORIGINALIŲ INSTRUKCIJŲ VERTIMAS | ET ORIGINAALJUHENDI TÕLGE | HR PRIJEVOD ORIGINALNIH UPUTA | SL PREVOD ORIGINALNIH NAVODIL | SK PŘEKLAD ORIGINÁLNEHO NÁVODU | BG ПРЕВОД ОТ ОРИГИНАЛНИТЕ ИНСТРУКЦИИ | UK ПЕРЕКЛАД ОРИГИНАЛЬНИХ ІНСТРУКЦІЙ | TR ORJINAL TALİMATLARIN TERCÜMESİ | EL ΜΕΤΑΦΡΑΣΗ ΤΩΝ ΠΡΩΤΟΤΥΠΩΝ ΟΔΗΓΙΩΝ





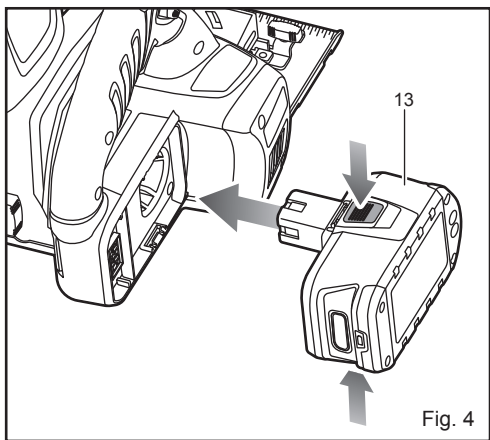


Fig. 4

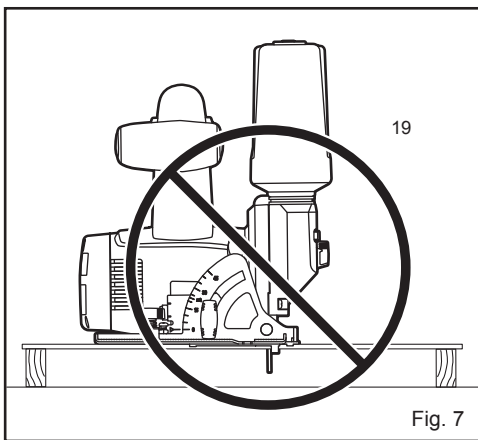


Fig. 7

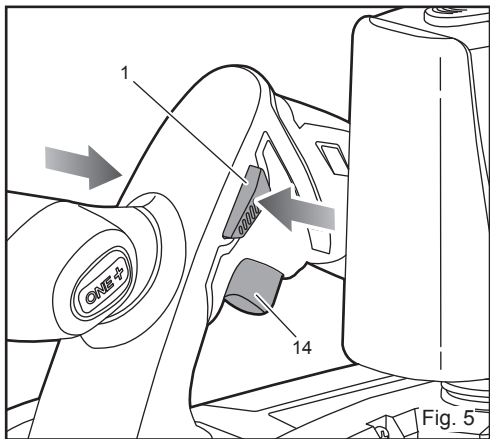


Fig. 5

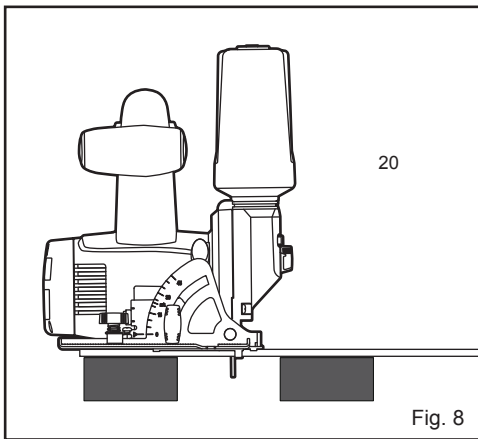


Fig. 8

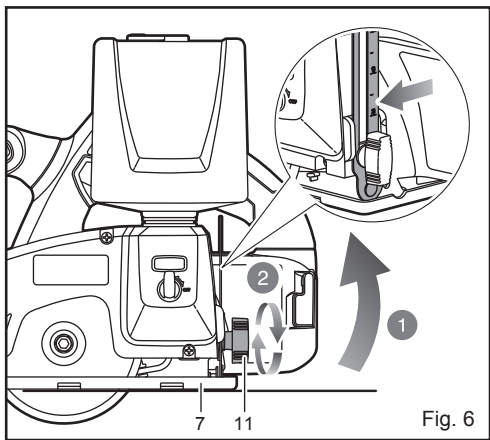


Fig. 6

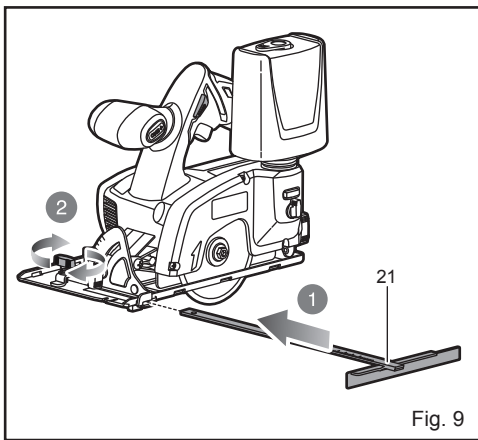


Fig. 9



Important!	It is essential that you read the instructions in this manual before assembling, maintaining and operating the product.
Attention!	Il est essentiel que vous lisiez les instructions contenues dans ce manuel avant d'assembler, d'entretenir et d'utiliser le produit.
Achtung!	Es ist wichtig, dass Sie vor Zusammenbau, Wartung und Benutzung des Produktes die Anweisungen in dieser Anleitung lesen.
¡Atención!	Resulta fundamental que lea este manual de instrucciones antes de realizar el montaje, el mantenimiento y de utilizar este producto
Attenzione!	E' importante leggere le istruzioni contenute nel presente manuale prima di montare il prodotto, svolgere le operazioni di manutenzione sullo stesso e metterlo in funzione.
Let op!	Het is van essentieel belang dat u de instructies in deze gebruiksaanwijzing leest voor u het product monteert, onderhoudt en gebruikt.
Atenção!	É fundamental que leia as instruções deste manual antes da montagem, manutenção e operação do aparelho.
OBS!	Det er vigtigt, at man læser instrukserne i denne brugsanvisning, inden man samler, vedligeholder og betjener produktet.
Observera!	Det är viktigt att du läser instruktionerna i manualen före montering, användning och underhåll av produkten.
Huomio!	On tärkeää, että luet tämän käsikirjan ohjeet ennen tuotteen kokoamista, huoltoa ja käyttöä.
Advarell!	Det er viktig at du leser instruksjonene i denne manualen før sammensetning, vedlikehold og bruk av produktet
Внимание!	Необходимо прочитать инструкции в данном руководстве перед сборкой, обслуживанием и эксплуатацией этого изделия.
Uwaga!	KoniecznIE należy przeczytać instrukcje zawarte w tym podręczniku przed montażem, obsługą oraz konserwacją produktu.
Důležité upozornění!	Neinstalujte, neprovádějte údržbu ani nepoužívejte tento výrobek dříve, než si přečtete pokyny uvedené v tomto návodu.
Figyelem!	Fontos, hogy a termék összeszerelése, karbantartása és használata előtt elolvassa a kézikönyvben található utasításokat.
Atenție!	Este esențial să citiți instrucțiunile din acest manual înainte de asamblare, efectuarea întreinerii și operarea produsului.
Uzmanību!	Ir svarīgi izlasīt šīs rokasgrāmatas instrukcijas pirms uzstādīšanas, apkopes un precēs darbināšanas.
Dėmesio!	Prieš surenkant, prižiūrint ir naudojant gaminį, būtina perskaityti šią vadovę pateiktus nurodymus.
Tähtis!	Enne masina kokkupanekut, hooldamist ja kasutama hakkamist tuleb käesolevas juhendis esitatud juhised kindlasti läbi lugeda.
Upozorenje!	Vrlo je važno da ste prije sklapanja, održavanja i rada s ovim proizvodom pročitali upute u ovom priručniku.
Pomembno!	Pomembno je da pred montažo vzdrževanjem in uporabo tega izdelka preberete navodila v tem priločniku.
Upzornenie!	Je dôležité, aby ste si pred montážou, údržbou a obsluhou produktu prečítali pokyny v tomto návode.
Важно!	Исключительно важно е да прочетете инструкциите в настоящото ръководство, преди да преминете към сглобяване, поддръжка или работа с продукта.
Важливо!	Дуже важливо, щоб ви прочитали інструкції в цьому керівництві перед складанням, обслуговуванням та експлуатацією цієї машини.
Dikkat!	Ürünün montajını, bakımını yapmadan ve ürünü çalıştırmadan önce bu kılavuzda yer alan talimatları okumanız önemlidir.
Προσοχή!	Είναι πολύ σημαντικό να διαβάσετε τις οδηγίες στο παρόν εγχειρίδιο πριν συναρμολογήσετε, συντηρήσετε ή λειτουργήσετε το προϊόν.

Subject to technical modification | Sous réserve de modifications techniques | Technische Änderungen vorbehalten | Bajo reserva de modificaciones técnicas | Con riserva di eventuali modifiche tecniche | Technische wijzigingen voorbehouden | Com reserva de modificações técnicas | Med forbehold for tekniske ændringer | Med förbehåll för tekniska ändringar | Tekniset muutokset varataan | Med forbehold om tekniske ændringer | могут быть внесены технические изменения | Z zastrzeżeniem modyfikacji technicznych | Změny technických údajů vyhrazeny | A műszaki módosítás jogát fenntartjuk | Sub rezerva modificărilor tehnice | Paturam tiesības mainīt tehniskos raksturlielumus | Pasilieikant teisę daryti techninius pakeitimus | Tehnilised muudatused võimalikud | Podloženo tehničkim promjenama | Tehnične spremembe dopuščene | Právo na technické zmeny je vyhradené | Подлежи на технически модификации | Є об'єктом для технічних змін | Teknik değışiklik hakkı saklıdır | Υπό την επιφύλαξη τεχνικών τροποποιήσεων





English

Safety, performance, and dependability have been given top priority in the design of your 18 volt wet / dry tile saw.

INTENDED USE

You may use this product for the purposes listed below:

- Wet cross cutting, rip cutting, and bevel cutting of man-made tile, pavers, and natural stone tile materials.
- For dry cutting of the above materials, a special cutting wheel is required (not provided).

This product will accept RYOBI ONE+ 18 V lithium-ion battery packs and RYOBI ONE+ 18 V nickel-cadmium battery packs.

For complete charging instructions, refer to the Operator's Manuals for your RYOBI ONE+ battery pack and charger models.

⚠ WARNING

Read all safety warnings and all instructions. Failure to follow the warnings and instructions may result in electric shock, fire and/or serious injury.

Save all warnings and instructions for future reference.

TILE SAW SAFETY WARNINGS

- The guard provided with the tool must be securely attached to the power tool and positioned for maximum safety, so the least amount of wheel is exposed towards the operator. Position yourself and bystanders away from the plane of the rotating wheel. The guard helps to protect operator from broken wheel fragments and accidental contact with wheel.
- Use only diamond cut-off wheels for your power tool. Just because an accessory can be attached to your power tool, it does not assure safe operation.
- The rated speed of the accessory must be at least equal to the maximum speed marked on the power tool. Accessories running faster than their rated speed can break and fly apart.
- Wheels must be used only for recommended applications. For example: do not grind with the side of cut-off wheel. Abrasive cut-off wheels are intended for peripheral grinding, side forces applied to these wheels may cause them to shatter.
- Always use undamaged wheel flanges that are of correct diameter for your selected wheel. Proper wheel flanges support the wheel thus reducing the possibility of wheel breakage.

- The outside diameter and the thickness of your accessory must be within the capacity rating of your power tool. Incorrectly sized accessories cannot be adequately guarded or controlled.
- The arbour size of wheels and flanges must properly fit the spindle of the power tool. Wheels and flanges with arbour holes that do not match the mounting hardware of the power tool will run out of balance, vibrate excessively and may cause loss of control.
- Do not use damaged wheels. Before each use, inspect the wheels for chips and cracks. If power tool or wheel is dropped, inspect for damage or install an undamaged wheel. After inspecting and installing the wheel, position yourself and bystanders away from the plane of the rotating wheel and run the power tool at maximum no load speed for one minute. Damaged wheels will normally break apart during this test time.
- Wear personal protective equipment. Depending on application, use face shield, safety goggles or safety glasses. As appropriate, wear dust mask, hearing protectors, gloves and shop apron capable of stopping small abrasive or workpiece fragments. The eye protection must be capable of stopping flying debris generated by various operations. The dust mask or respirator must be capable of filtering particles generated by your operation. Prolonged exposure to high intensity noise may cause hearing loss.
- Keep bystanders a safe distance away from work area. Anyone entering the work area must wear personal protective equipment. Fragments of workpiece or of a broken wheel may fly away and cause injury beyond immediate area of operation.
- Hold the power tool by insulated gripping surfaces only, when performing an operation where the cutting accessory may contact hidden wiring. Cutting accessory contacting a "live" wire may make exposed metal parts of the power tool "live" and could give the operator an electric shock.
- Never lay the power tool down until the accessory has come to a complete stop. The spinning wheel may grab the surface and pull the power tool out of your control.
- Do not run the power tool while carrying it at your side. Accidental contact with the spinning accessory could snag your clothing, pulling the accessory into your body.
- Regularly clean the power tool's air vents. The motor's fan will draw the dust inside the housing and excessive accumulation of powdered metal may cause electrical hazards.





English

- **Do not operate the power tool near flammable materials.** Sparks could ignite these materials.

KICKBACK AND RELATED WARNINGS

Kickback is a sudden reaction to a pinched or snagged rotating wheel. Pinching or snagging causes rapid stalling of the rotating wheel which in turn causes the uncontrolled power tool to be forced in the direction opposite of the wheel's rotation at the point of the binding.

For example, if an abrasive wheel is snagged or pinched by the workpiece, the edge of the wheel that is entering into the pinch point can dig into the surface of the material causing the wheel to climb out or kick out. The wheel may either jump toward or away from the operator, depending on direction of the wheel's movement at the point of pinching. Abrasive wheels may also break under these conditions.

Kickback is the result of power tool misuse and/or incorrect operating procedures or conditions and can be avoided by taking proper precautions as given below.

- **Maintain a firm grip on the power tool and position your body and arm to allow you to resist kickback forces. Always use auxiliary handle, if provided, for maximum control over kickback or torque reaction during start-up.** The operator can control torque reactions or kickback forces, if proper precautions are taken.
- **Never place your hand near the rotating accessory.** Accessory may kickback over your hand.
- **Do not position your body in line with the rotating wheel.** Kickback will propel the tool in direction opposite to the wheel's movement at the point of snagging.
- **Use special care when working corners, sharp edges etc. Avoid bouncing and snagging the accessory.** Corners, sharp edges or bouncing have a tendency to snag the rotating accessory and cause loss of control or kickback.
- **Do not attach a saw chain, woodcarving blade, segmented diamond wheel with a peripheral gap greater than 10 mm or toothed saw blade.** Such blades create frequent kickback and loss of control.
- **Do not "jam" the wheel or apply excessive pressure. Do not attempt to make an excessive depth of cut.** Overstressing the wheel increases the loading and susceptibility to twisting or binding of the wheel in the cut and the possibility of kickback or wheel breakage.
- **When wheel is binding or when interrupting a cut for any reason, switch off the power tool and hold the power tool motionless until the wheel comes to a complete stop. Never attempt to remove the wheel from the cut while the wheel is in motion**

otherwise kickback may occur. Investigate and take corrective action to eliminate the cause of wheel binding.

- **Do not restart the cutting operation in the workpiece. Let the wheel reach full speed and carefully re-enter the cut.** The wheel may bind, walk up or kickback if the power tool is restarted in the workpiece.
- **Support panels or any oversized workpiece to minimize the risk of wheel pinching and kickback.** Large workpieces tend to sag under their own weight. Supports must be placed under the workpiece near the line of cut and near the edge of the workpiece on both sides of the wheel.
- **Use extra caution when making a "pocket cut" into existing walls or other blind areas.** The protruding wheel may cut gas or water pipes, electrical wiring or objects that can cause kickback.

ADDITIONAL SAFETY WARNINGS

- When not in use, blades must be stored in dry place and handled with care.

ADDITIONAL BATTERY SAFETY WARNINGS

⚠ WARNING

To reduce the risk of fire, personal injury, and product damage due to a short circuit, never immerse your tool, battery pack or charger in fluid or allow a fluid to flow inside them. Corrosive or conductive fluids, such as seawater, certain industrial chemicals, and bleach or bleach-containing products, etc., can cause a short circuit.

TRANSPORTING LITHIUM BATTERIES

Transport the battery in accordance with local and national provisions and regulations.

Follow all special requirements on packaging and labelling when transporting batteries by a third party. Ensure that no batteries can come in contact with other batteries or conductive materials while in transport by protecting exposed connectors with insulating, non-conductive caps or tape. Do not transport batteries that are cracked or leaking. Check with the forwarding company for further advice.

KNOW YOUR PRODUCT

1. Lock-off button
2. Spindle lock





English

3. Bevel scale
4. Bevel lock knob
5. Edge guide lock knob
6. Cutting wheel
7. Base
8. Flow adjustment knob
9. Water bottle release button
10. Water bottle
11. Depth lock knob
12. Wheel wrench storage
13. Battery pack (not included)
14. Switch trigger
15. Inner wheel washer
16. Wheel
17. Outer wheel washer
18. Wheel screw
19. Incorrect method of support
20. Correct method of support
21. Edge guide
22. Handle, insulated gripping surface

ASSEMBLY

ATTACHING GRAVITY FEED WATER BOTTLE

See figure 2.

The gravity feed water bottle has a built in air vent that equalizes pressure and allows water to flow more freely.

- Remove the battery.
- Unscrew the nozzle assembly.
- Fill water bottle to desired level. Do not overfill.
- Replace nozzle assembly.
- Hold water bottle so that nozzle faces down.

NOTE: Water will not escape the bottle unless the tip of the nozzle is depressed.

- Insert the water bottle as shown. Gently press down on the bottle until it clicks into place.
- To remove water bottle, depress the water bottle release button.

NOTE: For dry cutting, leave water bottle installed to prevent dust and debris from clogging the water supply system.

CAUTION
Water bottle is designed for water only. Use of any other fluid may cause damage to the tool.

WARNING
A 101.6 mm wheel is the maximum wheel capacity of the saw. Also, never use a wheel that is too thick to allow outer wheel washer to engage with the flat on the spindle. Larger wheels will come in contact with the wheel guards, while thicker wheels will prevent wheel screw from securing wheel on spindle. Either of these situations could result in a serious accident.

WARNING
Do not use cutting wheels rated less than the no load speed of this tool. Failure to heed this warning could result in personal injury. Do not use wheel with cracks, gaps, or teeth.

WARNING
Do not use toothed or segmented wheels. Use only continuous rimmed diamond wheels suited for masonry materials.

INSTALLING CUTTING WHEEL

See figure 3.

- Remove the battery pack from the saw.
- Remove the wheel wrench (5 mm hex key) from the storage area.
- Depress the spindle lock button and remove the wheel screw and outer wheel washer.

NOTE: Turn the wheel screw clockwise to remove.

CAUTION
To prevent damage to the spindle or spindle lock, always allow motor to come to a complete stop before engaging spindle lock.

NOTE: Do not run the saw with spindle lock engaged.

- Wipe a drop of oil onto the inner wheel washer and outer wheel washer where they contact the wheel.

WARNING
If inner wheel washer has been removed, replace it before placing cutting wheel on spindle. Failure to do so could cause an accident since wheel will not tighten properly.

- Replace the outer wheel washer.
- Depress the spindle lock button, then replace the





English

wheel screw. Tighten the wheel screw securely by turning it counterclockwise.

- Return the wheel wrench to the storage area.

NOTE: Never use a cutting wheel that is too thick to allow the outer wheel washer to engage with the flats on the spindle.

OPERATION

⚠ WARNING

Always wear a dust mask when operating tile saws. Failure to do so could result in serious injury.

⚠ WARNING

Always wear safety goggles or safety glasses with side shields when operating products. Failure to do so could result in objects being thrown into your eyes, resulting in possible serious injury.

⚠ WARNING

Do not use any attachments or accessories not recommended by the manufacturer of this product. The use of attachments or accessories not recommended can result in serious personal injury.

BATTERY PROTECTION FEATURES

RYOBI 18 V lithium-ion batteries are designed with features that protect the lithium-ion cells and maximize battery life. Under some operating conditions, these built-in features may cause the battery and the tool it is powering to act differently from nickel-cadmium batteries.

During some applications, the battery electronics may signal the battery to shut down, and cause the tool to stop running. To reset the battery and tool, release the trigger and resume normal operation.

NOTE: To prevent further shut down of the battery, avoid forcing the tool.

If releasing the trigger does not reset the battery and tool, the battery pack is depleted. If depleted, the battery pack will begin charging when placed on the lithium-ion charger.

INSTALLING THE BATTERY PACK

See figure 4.

- Place the battery pack in the saw. Align the raised rib on the battery pack with the groove inside the saw, then slide the battery pack into the saw.

Make sure the latches on each side of your battery pack snap into place and the battery pack is secured in the saw

before beginning operation.

⚠ WARNING

Always remove battery pack from your tool when you are assembling parts, making adjustments, cleaning, or when not in use. Removing battery pack will prevent accidental starting that could cause serious personal injury.

REMOVING THE BATTERY PACK

See figure 4.

- Locate the latches on the side of the battery pack and depress them to release the battery pack from the saw.
- Remove battery pack from the saw.

CUTTING WHEELS

The best of cutting wheels will not cut efficiently if they are dull or badly worn. Using a dull wheel will place a heavy load on the saw. Keep extra wheels on hand, so that sharp wheels are always available.

STARTING/STOPPING THE SAW

See figure 5.

To start the saw:

- Depress the lock-off button.
- Depress the switch trigger.

Always let the wheel reach full speed, then guide the saw into the workpiece.

To stop the saw:

- Release the switch trigger.

After you release the switch trigger, allow the wheel to come to a complete stop. DO NOT remove the saw from the workpiece while the wheel is moving.

LOCK-OFF BUTTON

See figure 5.

The lock-off button reduces the possibility of accidental starting. The lock-off button is located on the handle above the switch trigger. The lock-off button must be depressed before you pull the switch trigger. The lock resets each time the trigger is released.

NOTE: You can depress the lock-off button from either the left or right side.

ADJUSTING WHEEL DEPTH

See figure 6.

Always keep correct wheel depth setting. The correct wheel depth setting for all cuts should not exceed 6.35 mm below the material being cut. More wheel depth will increase the chance of kickback and cause the cut to be



English

rough. For more depth of cut accuracy, a scale is located on the rear bracket.

- Loosen the depth adjustment knob.
- Determine the desired depth of cut.
- Locate the depth of cut scale on the rear bracket.
- Hold the base flat against the workpiece and raise or lower the saw until the indicator mark on bracket aligns with the notch on the wheel guard.
- Tighten the depth adjustment knob securely.

OPERATING THE SAW

See figure 7 - 8.

It is important to understand the correct method for operating the saw. Refer to the figures in this section to learn the correct and incorrect ways for handling the saw.

WARNING

When lifting the saw from the workpiece, the wheel is exposed on the underside of the saw.

To make the best possible cut:

- Hold the saw firmly with both hands.
- Avoid placing your hand on the workpiece while making a cut.
- Support the workpiece so that the cut (kerf) is always to your side.
- Support the workpiece near the cut.
- Clamp the workpiece securely so that the workpiece will not move during the cut.
- Always place the saw on the workpiece that is supported, not the "cut off" piece.
- Place the workpiece with the "good" side down.
- Draw a guideline along the desired line of cut before beginning your cut.

MAKING CUTS

Always draw the line to be cut on the tile using a marker or grease pencil. If the tile is shiny and hard-to-mark, place masking tape on the tile and mark the tape.

A common problem when cutting tile is straying from the marked line. Once you've strayed from the mark, you can not force the wheel back to the line by twisting the tile. Instead, back up and recut the tile slicing off a small amount of tile until the wheel is back on track.

To avoid this problem, use a straight edge guide whenever possible for making cross cuts and miter cuts. If wet cutting is desired, it should be performed outside.

USING THE EDGE GUIDE

See figure 9.

Use the edge guide when making long or wide rip cuts with the saw.

1. Remove the battery pack from the tool.
2. Place the edge guide through the slots in the saw base.
3. Adjust the edge guide to the width needed.
4. Tighten the wing screw securely.

When using an edge guide, position the face of the edge guide firmly against the edge of workpiece. This makes for a true cut without pinching the blade. The guiding edge of the workpiece must be straight for your cut to be straight. Use caution to prevent the blade from binding in the cut.

MAINTENANCE

WARNING

When servicing, use only original RYOBI replacement parts. Use of any other parts may create a hazard or cause product damage.

Avoid using solvents when cleaning plastic parts. Most plastics are susceptible to damage from various types of commercial solvents and may be damaged by their use. Use clean cloths to remove dirt, dust, oil, grease, etc.

WARNING

Do not at any time let brake fluids, gasoline, petroleum based products, penetrating oils, etc., come in contact with plastic parts. Chemicals can damage, weaken or destroy plastic which may result in serious personal injury.

Do not abuse power tools. Abusive practices can damage tool as well as workpiece.

WARNING

Do not attempt to modify this tool or create accessories not recommended for use with this tool. Any such alteration or modification is misuse and could result in a hazardous condition leading to possible serious personal injury.

English

ENVIRONMENTAL PROTECTION



Recycle raw materials instead of disposing as waste. The machine, accessories and packaging should be sorted for environmental-friendly recycling.

SYMBOLS



Safety alert



CE conformity



EurAsian Conformity Mark



Ukrainian mark of conformity



Wear eye protection



Please read the instructions carefully before starting the machine.



Wear eye, hearing and respiratory protection.



Stone



Marble



Ceramic



Porcelain



Waste electrical products should not be disposed of with household waste. Please recycle where facilities exist. Check with your local authority or retailer for recycling advice.



Français

La plus grande priorité a été donnée à la sécurité, aux performances et à la fiabilité de votre scie coupe-carrelage à eau / à sec 18V lors de sa conception.

UTILISATION PRÉVUE

Vous pouvez utiliser ce produit pour les applications suivantes:

- Coupes à l'eau transversales, longitudinales, et d'angle de carrelages, dalles, et carreaux en pierre naturelle.
- Pour la coupe à sec des matériaux ci-dessus, un disque de coupe spécial est nécessaire (non fourni).

Cet appareil peut utiliser les packs batterie RYOBI ONE+ 18 V lithium-ion et RYOBI ONE+ 18 V cadmium-nickel.

Reportez-vous au Mode d'Emploi de votre pack batterie RYOBI ONE+ et de votre chargeur pour des instructions complètes sur la méthode de charge.

▲ AVERTISSEMENT

Lisez tous les avertissements de sécurité et toutes les instructions. Le non respect des avertissements et du mode d'emploi peut entraîner un choc électrique, un incendie et/ou de graves blessures.

Conservez tous les avertissements ainsi que le mode d'emploi pour vous-y reporter dans le futur.

AVERTISSEMENTS DE SÉCURITÉ RELATIFS AU COUPE-CARREAUX

- La protection fournie avec l'outil électrique doit être bien fixée sur celui-ci et positionnée de façon à offrir le maximum de sécurité, afin que la plus petite partie possible du disque de coupe soit dirigée vers l'opérateur. Positionnez vous, ainsi que les personnes alentour, en dehors du plan de rotation du disque. La protection aide à protéger l'opérateur des fragments d'une meule brisée ainsi que du contact accidentel avec la meule.
- N'utilisez que des disques de coupe au diamant avec votre outil électrique. Même si un accessoire peut être monté sur un outil, cela ne garantit pas que vous pourrez utiliser cet outil en toute sécurité.
- La vitesse nominale de l'accessoire doit être égale ou supérieure à la vitesse maximale indiquée sur l'outil. Les accessoires fonctionnant à une vitesse supérieure à leur vitesse nominale peuvent se casser et être éjectés.
- Les meules ne doivent être utilisées que dans leur domaine d'application recommandé. Par exemple, n'utilisez pas le flanc d'un disque à tronçonner pour meuler. Les disques à tronçonner sont conçus pour meuler sur leur périphérie, ils sont susceptibles de se briser si l'on y applique une force latérale.

- Assurez-vous de toujours utiliser des brides de disque en bon état et dont la taille et la forme sont adaptées au disque à utiliser. Un support de disque adapté maintient le flanc du disque et réduit le risque de bris.
- Le diamètre extérieur et l'épaisseur de l'accessoire doivent correspondre aux caractéristiques spécifiées pour l'outil. Si les accessoires ne correspondent pas aux caractéristiques données, les systèmes de protection et de réglage de l'outil ne pourront pas fonctionner correctement.
- La taille du trou central du disque de coupe et de la bague à épaulement doit correspondre à celle de l'arbre de l'outil électrique. Les disques et bagues aux dimensions ne correspondant pas aux éléments de l'outil électrique entraîneront un mauvais centrage créant un balourd, source de vibrations et de perte de contrôle.
- N'utilisez pas de disques endommagés. Avant chaque utilisation, vérifiez l'absence d'ébréchures et de fissures sur le disque de coupe. En cas de chute de l'outil ou du disque de coupe, vérifiez l'absence de dommages ou remettez en place un disque en bon état. Après avoir vérifié et mis en place le disque, tenez-vous (ainsi que les spectateurs) écarté du plan de rotation du disque et faite tourner l'outil électrique à sa vitesse à vide maximale pendant une minute. Normalement, un disque endommagé se disloquera au cours de ce test à vide.
- Porter des équipements de protection individuelle. Selon l'utilisation que vous faites de votre outil, portez un masque de protection, des lunettes de sécurité ou des lunettes de protection. Selon l'utilisation que vous faites de votre outil, portez un masque de protection, des lunettes de sécurité ou des lunettes de protection. Si besoin, portez un masque anti-poussière, des protections auditives, des gants et un tablier de protection afin de vous protéger de toute projection de corps étrangers (éléments abrasifs, copeaux de bois, etc.). Les masques anti-poussière permettent de filtrer les particules générées par l'opération que vous menez. Les masques anti-poussière permettent de filtrer les particules générées par l'opération que vous menez.
- Maintenez les visiteurs à bonne distance de la zone de travail. Maintenez les visiteurs à bonne distance de la zone de travail et veillez à ce qu'ils portent un équipement de protection. Des fragments de carreau ou de disque sont susceptibles d'être éjectés et de provoquer des blessures au-delà de la zone de travail proche.
- Ne tenez l'outil que par les parties isolées et antidérapantes lorsque vous travaillez sur une surface pouvant cacher des fils électriques ou lorsque le travail requis est susceptible de placer le cordon d'alimentation sur la trajectoire de l'outil. Un accessoire de coupe qui entre en contact avec un câble "sous tension" est susceptible de véhiculer le





Français

courant électrique vers les parties métalliques de l'outil et de provoquer un choc électrique à l'opérateur.

- **Ne posez jamais votre outil avant que l'accessoire ne soit complètement arrêté.** Le disque en rotation est susceptible d'accrocher la surface et de tirer l'outil électrique hors de votre contrôle.
- **Ne faites pas fonctionner votre outil lorsque vous le transportez.** L'accessoire en rotation pourrait se prendre dans vos vêtements et vous blesser gravement.
- **Nettoyez régulièrement les fentes de ventilation de l'outil.** La ventilation du moteur fait pénétrer les poussières à l'intérieur du carter moteur, ce qui peut générer une accumulation excessive de particules métalliques et provoquer des chocs électriques.
- **N'utilisez pas votre outil à proximité de produits inflammables.** Des étincelles risqueraient de les enflammer.

AVERTISSEMENTS RELATIFS AU REBOND ET AUTRES RISQUES ASSOCIÉS

Le rebond est une réaction soudaine au pincage ou au coinçage du disque en rotation. Un pincage ou un coinçage provoque un arrêt rapide de la rotation du disque de coupe ce qui entraîne la projection de l'outil non contrôlé en direction opposée au sens de rotation du disque au point de blocage.

Par exemple, si un disque abrasif se coince ou se tord dans la pièce à usiner, le bord du disque qui se fait coincer peut se faire entraîner dans le matériau et provoquer un rebond vers le haut ou vers l'arrière. En cas de rebond, le disque abrasif peut également se casser. Le rebond est donc le résultat d'une mauvaise utilisation de l'outil et/ou de procédures ou de conditions d'utilisation incorrectes.

Le rebond est donc le résultat d'une mauvaise utilisation de l'outil et / ou de procédures ou de conditions d'utilisation incorrectes. Il peut être évité en veillant à respecter quelques précautions:

- **Maintenez fermement l'outil et positionnez votre corps et votre bras de façon à pouvoir contrôler un éventuel rebond.** Si l'outil dispose d'une poignée auxiliaire, veillez à toujours la tenir pour avoir un contrôle optimal de l'outil en cas de rebond ou de couple de réaction lors de la mise en marche de l'outil. Prenez les mesures nécessaires afin de pouvoir contrôler votre outil en cas de rebond ou de couple de réaction.
- **Ne placez jamais votre main à proximité de l'accessoire en rotation afin d'éviter tout risque de blessures corporelles graves en cas de rebond.** Accessoire risque de rebondir sur votre main.
- **Ne positionnez pas votre corps dans l'alignement du disque en rotation.** En cas de rebond, l'outil est projeté dans la direction opposée au sens de rotation du disque.
- **Faites particulièrement attention lorsque vous travaillez sur des angles, des bords tranchants, etc.**

- **Évitez de faire déraiper ou de coincer l'accessoire.** Lorsque vous travaillez sur des angles ou des bords tranchants ou lorsque vous faites déraiper l'outil, le risque est plus élevé de bloquer l'accessoire, et donc de perdre le contrôle de l'outil et provoquer un rebond.
- **Ne mettez pas en place de chaîne de scie, de lame de découpe du bois, de disque au diamant segmenté ayant une ouverture périphérique supérieure à 10 mm ou une lame de scie avec des dents.** De telles lames augmentent le risque de rebond et de perte de contrôle de l'outil.
- **Ne "bourrez" pas le disque et ne lui appliquez pas de pression excessive. Ne tentez pas d'effectuer des découpes d'une profondeur excessive.** Un excès de contraintes sur le disque augmente sa charge et risque de le tordre ou de le coincer dans la coupe, ce qui pourrait provoquer un rebond ou un bris du disque.
- **Lorsque le disque se bloque, ou lorsque vous interrompez la coupe pour une raison quelconque, arrêtez l'outil et maintenez-le immobile jusqu'à ce que le disque s'arrête complètement. Ne tentez jamais de retirer le disque de la coupe tant qu'il est en rotation, sous peine de provoquer un effet de rebond.** Si le disque se coince, cherchez-en la cause et prenez les mesures nécessaires pour que cela ne se reproduise plus.
- **Ne reprenez pas la coupe dans la pièce à tronçonner. Laissez le disque atteindre sa pleine vitesse et pénétrez à nouveau dans la coupe.** Le disque peut se coincer, être entraîné ou provoquer un rebond si l'outil est redémarré dans la pièce à couper.
- **Supportez les panneaux et toutes les pièces de grande dimension pour minimiser les risques de rebond et de pincement du disque.** Les grandes pièces à couper ont tendance à fléchir sous leur propre poids. Les supports doivent être placés sous la pièce à proximité de la ligne de coupe ou près du bord de la pièce de chaque côté du disque.
- **Soyez particulièrement attentif lorsque vous effectuez une "coupe en plongée" dans des murs existants ou autres zones aveugles.** Le disque saillant est susceptible de couper les conduites d'eau ou de gaz, les câbles électriques ou des objets pouvant provoquer un rebond.

INSTRUCTIONS DE SÉCURITÉ ADDITIONNELLES

- Lorsque vous ne les utilisez pas, les disques doivent être rangés dans un endroit sec et traités avec soin.





Français

MISES EN GARDE DE SÉCURITÉ SUPPLÉMENTAIRES CONCERNANT LA BATTERIE

▲ AVERTISSEMENT

Pour réduire le risque d'incendie, de blessures corporelles et de dommages cau-sés par un court-circuit, ne jamais immerger l'outil, le bloc-piles ou le chargeur dans un liquide ou laisser couler un fluide à l'intérieur de celui-ci. Les fluides corrosifs ou conducteurs, tels que l'eau de mer, certains produits chim-iques industriels, les produits de blanchiment ou de blanchi-ment, etc., Peuvent provoquer un court-circuit.

TRANSPORT DES BATTERIES AU LITHIUM

Transportez les batteries en conformité avec les dispositions et règlements locaux et nationaux.

Respectez toutes les exigences légales particulières concernant l'emballage et l'étiquetage des batteries lorsque vous confiez leur transport à un tiers. Assurez-vous qu'aucune batterie ne puisse entrer en contact avec une autre batterie ou avec des matériaux conducteurs lors de son transport en isolant les bornes électriques avec du ruban adhésif ou des capuchons isolants. Ne transportez pas une batterie qui serait fendue ou qui fuirait. Demandez conseil au transporteur pour de plus amples informations.

DESCRIPTION

1. Bouton de déverrouillage de la gâchette
2. Bouton de verrouillage de l'arbre
3. Echelle d'inclinaison
4. Bouton de blocage de l'angle de coupe
5. Bouton de verrouillage du guide
6. Disque de coupe
7. Semelle
8. Bouton de réglage de l'écoulement
9. Bouton de déverrouillage du réservoir d'eau
10. Réservoir d'eau
11. Bouton de blocage de la profondeur
12. Logement de la clé de disque
13. Pack batterie (non compris)
14. Gâchette-interrupteur
15. Rondelle intérieure de disque
16. Roues
17. Rondelle extérieure de disque
18. Boulon de disque
19. Méthode incorrecte pour supporter le carreau
20. Méthode correcte pour supporter le carreau
21. Guide de coupe parallèle
22. Poignée, surface de préhension isolée

MONTAGE

MONTAGE DU RÉSERVOIR D'ALIMENTATION EN EAU PAR GRAVITÉ

Voir figure 2.

Le réservoir d'alimentation en eau par gravité comporte une mise à l'air libre qui égalise la pression et permet à l'eau se s'écouler plus librement.

- Retirez la batterie.
- Dévissez l'embout.
- Remplissez le réservoir avec de l'eau jusqu'au niveau désiré. Ne le remplissez pas trop.
- Remettez l'embout en place.
- Maintenez le réservoir de façon que l'embout soit dirigé vers le bas.

NOTE: L'eau ne s'écoulera pas du réservoir tant que l'extrémité de l'embout ne sera pas enfoncée.

- Mettez le réservoir en place tel qu'illustré. Appuyez doucement sur le réservoir jusqu'à ce qu'il s'emboîte en place.
- Pour retirer le réservoir, appuyez sur le bouton de déverrouillage du réservoir.

NOTE: Lorsque vous coupez à sec, laissez le réservoir d'eau en place pour éviter que la poussière et les débris ne bouchent le système d'alimentation en eau.

▲ ATTENTION

Le réservoir n'est conçu pour contenir de l'eau. L'utilisation de tout autre liquide peut endommager l'outil.

▲ AVERTISSEMENT

Le diamètre maximal de disque que la scie peut utiliser est de 101.6 mm. De plus, n'utilisez jamais de disque trop épais qui empêcherait la rondelle extérieure du disque de s'insérer dans la partie aplatie de l'axe de broche. Les disques de trop grand diamètre entreraient en contact avec les protections, tandis que les disques trop épais empêcheraient le boulon de bien bloquer le disque sur la broche. L'une comme l'autre de ces situations est susceptible de causer des accidents graves.

▲ AVERTISSEMENT

N'utilisez pas de disques de coupe dont la vitesse maximale de rotation est inférieure à la vitesse de rotation à vide de l'outil. Le non respect de cet avertissement peut entraîner des blessures. N'utilisez pas de disques fêlés ou comportant des espaces ou des dents.



Français

⚠ AVERTISSEMENT

N'utilisez pas de disques segmentés ou à dents. N'utilisez que des disques au diamant à jante lisse prévus pour les travaux de maçonnerie.

MONTAGE DU DISQUE DE COUPE

Voir figure 3.

- Retirez le pack batterie de la scie.
- Sortez la clé de montage (clé hexagonale de 5 mm) de son logement.
- Enfoncez le bouton de blocage de broche et dévissez le boulon puis retirez la rondelle extérieure du disque.

NOTE: Tournez le boulon dans le sens des aiguilles d'une montre pour le dévisser.

⚠ ATTENTION

Pour éviter d'endommager la broche ou le blocage de broche, laissez toujours le moteur s'arrêter complètement avant de bloquer la broche.

NOTE: Ne mettez pas la scie en marche avec le blocage de broche enfoncé.

- Déposez une goutte d'huile sur la rondelle intérieure et sur la rondelle extérieure du disque à l'endroit où elles entrent en contact avec le disque.

⚠ AVERTISSEMENT

Si la rondelle extérieure a été retirée, remettez-la en place avant de mettre le disque en place sur la broche. Le non respect de cet avertissement peut entraîner un accident car le disque ne serait pas bien serré.

- Remettez la rondelle extérieure en place.
- Enfoncez le bouton de blocage de broche, puis revissez le boulon de serrage du disque. Serrez fermement le boulon en le tournant dans le sens inverse des aiguilles d'une montre.
- Remettez la clé en place dans son logement.

NOTE: N'utilisez jamais de disque de coupe trop large qui empêcherait la rondelle extérieure de s'insérer dans la partie aplatie de l'axe de broche.

UTILISATION

⚠ AVERTISSEMENT

Portez toujours un masque anti-poussières lorsque vous coupez du carrelage. Si vous ne le faites pas vous pouvez subir de graves blessures.

⚠ AVERTISSEMENT

Portez toujours des lunettes de sécurité ou des lunettes de protection équipées de volets latéraux lorsque vous coupez des matériaux. Dans le cas contraire, des objets pourraient être projetés vers vos yeux et provoquer de graves blessures.

⚠ AVERTISSEMENT

N'utilisez pas d'accessoires non recommandés par le fabricant de ce produit. L'utilisation d'accessoires non recommandés peut entraîner de graves blessures.

DISPOSITIFS DE PROTECTION DE LA BATTERIE

Les batteries RYOBI lithium-ion de 18 V incorporent des dispositifs de protection des éléments lithium-ion qui maximisent la durée de vie des batteries. Sous certaines conditions d'utilisation, ces dispositifs incorporés peuvent entraîner un comportement différent de la batterie et de l'outil qu'elle alimente par rapport aux batteries cadmium-nickel.

Lors de certaines opérations, l'électronique de la batterie peut la déconnecter, entraînant l'arrêt de l'outil. Pour remettre à zéro la batterie ainsi que l'outil, relâchez l'interrupteur et reprenez le travail.

NOTE: Pour éviter que la batterie ne se remette en protection, évitez de faire forcer l'outil.

Si après avoir relâché l'interrupteur la batterie et l'outil ne se sont pas remis à zéro, alors le pack batterie est déchargé. S'il est déchargé, le pack batterie se mettra en charge une fois placé sur le chargeur lithium-ion.

MISE EN PLACE DU PACK BATTERIE

Voir figure 4.

- Insérez le pack batterie dans la scie. Alignez les languettes du pack batterie avec les rainures à l'intérieur de la scie, puis faites glisser le pack batterie dans la scie.
- Assurez-vous que les languettes de chaque côté du pack batterie se verrouillent bien et que le pack batterie est bien en place dans la scie avant de commencer l'opération.

⚠ AVERTISSEMENT

Retirez toujours le pack batterie de votre outil lorsque vous-y montez des accessoires, lorsque vous effectuez des réglages, lorsque vous le nettoyez ou lorsque vous ne l'utilisez pas. Le retrait du pack batterie évitera toute mise en marche accidentelle susceptible de provoquer des blessures graves.



Français

RETRAIT DU PACK BATTERIE

Voir figure 4.

- Repérez les loquets sur le côté du pack batterie et enfoncez-les pour retirer le pack batterie de la scie.
- Retirez le pack batterie de la scie.

DISQUES DE COUPE

Le meilleur disque de coupe ne pourra pas couper effi cacement s'il est usé ou émoussé. L'utilisation d'un disque usé fera fortement forcer la scie. Ayez des disques de rechange sous la main, afin de toujours avoir un disque affûté de disponible.

MISE EN MARCHÉ/ARRÊT DE LA SCIE

Voir figure 5.

Pour démarrer la scie:

- Enfoncez le bouton de verrouillage.
- Appuyez sur la gâchette-interrupteur.

Laissez toujours le temps au moteur d'atteindre sa pleine vitesse de rotation, puis guidez la scie dans l'élément à couper.

Pour arrêter la scie:

- Relâchez la gâchette-interrupteur.

Après avoir relâché l'interrupteur, laissez le disque s'arrêter complètement. Ne retirez pas la scie de l'élément à couper tant que le disque tourne.

BOUTON DE DÉVERROUILLAGE DE LA GÂCHETTE

Voir figure 5.

Le bouton de verrouillage réduit les risques de mise en marche accidentelle. Le bouton de verrouillage est situé sur la poignée au dessus de l'interrupteur. Le bouton de verrouillage doit être enfoncé avant que vous enfoncez la gâchette-interrupteur. Le verrouillage se bloquera chaque fois que vous relâcherez l'interrupteur.

NOTE: Vous pouvez enfoncer le bouton de verrouillage par la gauche ou par la droite.

RÉGLAGE DE LA PROFONDEUR DE COUPE

Voir figure 6.

Le réglage de profondeur de coupe doit toujours être correct. Le réglage correct de la profondeur de coupe ne doit pas permettre que le disque dépasse de plus de 6,35 mm sous l'élément à couper. Une plus grande profondeur augmenterait les risques de rebond et rendrait la coupe plus grossière. Pour une plus grande précision, une règle graduée est située sur le support arrière.

- Desserrez le bouton de réglage de la profondeur.
- Déterminez la profondeur de coupe désirée.
- Repérez la règle graduée de profondeur de coupe sur le support arrière.
- Maintenez la semelle à plat contre l'élément à couper puis abaissez ou remontez la scie jusqu'à ce que la valeur sur la règle soit alignée avec l'encoche du carter de protection du disque.
- Serrez fermement le bouton de verrouillage du réglage

de profondeur.

UTILISATION DE LA SCIE

Voir figure 7 - 8.

Il est important de bien comprendre le maniement correct de la scie. Reportez-vous aux illustrations de ce chapitre pour apprendre les bonnes et les mauvaises façons d'utiliser la scie.

⚠ AVERTISSEMENT

Lorsque vous soulevez la scie de l'élément à couper, le disque est exposé sans protection sous la scie.

Pour effectuer la meilleure coupe possible:

- Maintenez fermement la scie des deux mains.
- Evitez de placer votre main sur l'élément à couper pendant que vous effectuez la coupe.
- Supportez l'élément à couper de façon que le trait de coupe soit toujours de votre côté.
- Supportez l'élément à couper près de la coupe.
- Fixez fermement l'élément à couper afin qu'il ne bouge pas au cours de la coupe.
- Placez toujours la scie sur la partie de l'élément à couper qui est soutenue, pas sur la partie « à couper ».
- Orientez l'élément à couper avec la bonne face (la face visible) vers le bas.
- Tracez un trait de repère le long de la coupe désirée avant de commencer la coupe.

RÉALISATION DES COUPES

Tracez toujours un trait de repère sur le carreau à l'aide d'un marqueur ou d'un crayon gras. Si le carreau est brillant et difficile à marquer, collez du ruban de masquage sur le carreau et tracez le trait sur ce ruban.

Un problème courant lors de la coupe d'un carreau est la divergence par rapport au trait tracé. Une fois que vous vous êtes éloigné du repère, vous ne pouvez pas forcer sur la scie pour la faire revenir dans l'axe. Il vous faut plutôt reculer et recouper le carreau en enlevant une fine partie jusqu'à ce que vous soyez revenu dans l'axe.

Pour éviter ce problème, utilisez un guide latéral lorsque cela est possible pour effectuer les coupes longitudinales et les coupes d'onglet. Les coupes à l'eau doivent être effectuées à l'extérieur.

UTILISATION DU GUIDE DE TRANCHANT

Voir figure 9.

Utiliser le guide de tranchant pour les découpes longitudinales longues ou larges avec la scie.

1. Retirez le pack batterie de l'outil.
2. Placer le guide de tranchant dans les encoches de la base de scie.
3. Ajuster le guide de tranchant à la largeur nécessaire.
4. Serrez fermement la vis à ailette.

Lors de l'utilisation d'un guide de tranchant, positionner



Français

l'avant du guide de tranchant fermement contre le bord de la pièce à usiner. Lors de l'utilisation d'un guide de tranchant, positionner l'avant du guide de tranchant fermement contre le bord de la pièce à usiner. Le bord de guidage de la pièce à usiner doit être droit pour que votre découpe le soit. Rester prudent pour éviter la torsion de la lame dans la coupe.

ENTRETIEN

⚠ AVERTISSEMENT

Seules des pièces de rechange Ryobi d'origine doivent être utilisées en cas de remplacement. L'utilisation de toute autre pièce est susceptible de présenter un danger ou d'endommager votre outil.

Évitez d'utiliser des solvants pour nettoyer les parties en plastique. La plupart des plastiques sont susceptibles d'être endommagés par différents types de solvants du commerce. Utilisez des chiffons propres pour retirer la saleté, les poussières, l'huile, la graisse, etc.

⚠ AVERTISSEMENT

Ne laissez jamais du liquide de frein, de l'essence, des produits pétroliers, des huiles pénétrantes, etc. entrer en contact avec les éléments en plastique. Les produits chimiques peuvent endommager, affaiblir ou détruire les plastiques, ce qui pourrait entraîner de graves blessures.

Traitez les outils électriques avec soin. Une utilisation abusive peut endommager l'outil ainsi que la pièce à travailler.

⚠ AVERTISSEMENT

Ne tentez pas de modifier cet outil ou de créer des accessoires dont l'utilisation n'est pas recommandée avec cet outil. Toute altération ou modification de la sorte constitue un mésusage et peut entraîner des situations risquées pouvant entraîner de graves blessures.

PROTECTION DE L'ENVIRONNEMENT



Recyclez les matières premières au lieu de les jeter avec les ordures ménagères. Pour protéger l'environnement, l'outil, les accessoires et les emballages doivent être triés.

SYMBOLES



Alerte de sécurité



Conformité CE



Marque de qualité EurAsian



Marque de conformité ukrainienne



Portez une protection oculaire



Veillez lire attentivement le mode d'emploi avant de démarrer la machine.



Portez une protection oculaire, auditive et respiratoire.



Pierre



Marbre



Céramique



Porcelaine



Les produits électriques hors d'usage ne doivent pas être jetés avec les ordures ménagères. Recyclez-les par l'intermédiaire des structures disponibles. Contactez les autorités locales pour vous renseigner sur les conditions de recyclage.



Deutsch

Sicherheit, Leistung und Zuverlässigkeit hatten oberste Priorität bei der Entwicklung Ihres 18 V Fliesenschneiders.

BESTIMMUNGSGEMÄSSE VERWENDUNG

Sie können dieses Produkt für die unten aufgeführten Zwecke verwenden:

- Nasses Querschneiden, Längsschneiden und Schrägschneiden von künstlich hergestellten Fliesen, Fußbodenplatten und Fliesenmaterialien aus Naturstein.
- Für Trockenschneiden der o.a. Materialien wird eine spezielle Schneidscheibe benötigt (nicht im Lieferumfang enthalten).

Dieses Gerät arbeitet mit RYOBI ONE+ 18 V Lithium-Ionen-Akkupacks und RYOBI ONE+ 18 V Nickel-Cadmium-Akkupacks.

Für vollständige Anweisungen zum Laden lesen Sie bitte die Bedienungsanleitung Ihres RYOBI ONE+ Akku- und Ladegerätmodells.

⚠️ WARNUNG

Lesen Sie alle Warnungen und Anweisungen! Die Nichtbeachtung der Sicherheitshinweise und der Anweisungen kann zu Stromschlag, Feuer und/oder schweren Verletzungen führen.

Bewahren Sie alle Warnhinweise und Anleitungen zum späteren Nachschlagen auf.

FLIESENSCHNEIDER SICHERHEITSWARNUNGEN

- Die mit dem Werkzeug gelieferte Schutzvorrichtung muss zur Gewährleistung einer optimalen Sicherheit fest angebracht werden und so, dass der Benutzer dem Rad so wenig wie möglich ausgesetzt ist. Positionieren Sie sich selber und Zuschauer weg von der Richtung der drehenden Scheibe. Die Schutzvorrichtung hilft, den Benutzer vor abgebrochenen Radfragmenten und einem versehentlichen Kontakt mit dem Rad zu schützen.
- Benutzen Sie nur Diamant-Trennscheiben mit Ihrem Elektrowerkzeug. Selbst wenn es möglich ist, ein Zubehörteil auf ein Werkzeug zu montieren, ist dies keine Garantie dafür, dass dieses Gerät in aller Sicherheit benutzt werden kann.
- Die nominale Geschwindigkeit des Zubehörs muss gleich oder schneller sein, als die maximale, auf dem Werkzeug angegebene Geschwindigkeit. Zubehörteile, die schneller drehen als ihre Nominalgeschwindigkeit, können brechen und weggeschleudert werden.

- Räder dürfen nur für die empfohlenen Anwendungen verwendet werden. Schleifen Sie zum Beispiel nicht mit der Seite eines Schneidrades. Trennschleifscheiben sind zum Umfangsschleifen vorgesehen, seitlich auf die solche Scheiben wirkende Kräfte können zum Zerbrennen der Scheibe führen.
- Benutzen Sie immer einen unbeschädigten Spannflansch mit dem richtigen Durchmesser für die gewählte Scheibe. Ein korrekter Radflansch unterstützt das Rad, wodurch das Risiko eines Zerbrechens des Rades verringert wird.
- Der Außendurchmesser und die Dicke des Zubehörteils müssen den spezifischen Eigenschaften des Werkzeuges entsprechen. Wenn die Zubehörteile nicht den angegebenen Eigenschaften entsprechen, können die Schutz- und Einstellsysteme des Werkzeuges nicht korrekt funktionieren.
- Die Spindelgröße von Scheiben und Flanschen müssen richtig an die Spindel des Elektrowerkzeugs passen. Scheiben und Flanschen mit Spindellöchern die nicht an das Gerät passen, drehen sich mit Unwucht, vibrieren übermäßig und können zu Kontrollverlust führen.
- Benutzen Sie keine beschädigten Scheiben. Überprüfen Sie die Scheiben vor jeder Benutzung auf Abplatzer und Risse. Wenn das Elektrowerkzeug fallen gelassen wurde, überprüfen Sie auf Schäden oder montieren eine unbeschädigte Scheibe. Nachdem die Scheibe überprüft und montiert wurde, positionieren Sie sich und Zuschauer außerhalb der Ebene der drehenden Scheibe und betreiben das Elektrowerkzeug mit maximaler Drehzahl und ohne Last für ungefähr eine Minute. Beschädigte Scheiben zerbrechen normalerweise während dieser Testphase.
- Persönliche Schutzausrüstung tragen. Tragen Sie je nach Verwendungsart Ihres Werkzeuges eine Schutzmaske, Sicherheitsbrille, oder Schutzbrille. Tragen Sie bei Bedarf eine Staubschutzmaske, einen Gehörschutz, Handschuhe und eine Schutzschürze, um sich gegen fliegende Fremdkörper (Schleifelemente, Holzspäne, usw.) zu schützen. Die Schutzbrille soll die Augen vor Verletzung durch fliegende Teilchen schützen. Staubschutzmasken dienen dazu, die bei der durchgeführten Arbeit erzeugten Partikel zu filtern. Anhaltender, starker Lärm kann zu Hörverlust führen.
- Bitten Sie Besucher darum, sich in gebührendem Abstand vom Arbeitsbereich aufzuhalten und Schutzkleidung zu tragen. Jeder, der den Arbeitsbereich betritt muss eine persönliche





Deutsch

Schutzausrüstung tragen. Teile des Werkstücks oder der Scheibe können weg fliegen und Verletzungen außerhalb des direkten Arbeitsbereichs verursachen.

- **Halten Sie das Werkzeug nur an den isolierten und rutschsicheren Griffen fest, wenn Sie an einer Fläche arbeiten, die elektrische Leitungen verstecken könnte, oder wenn das Stromkabel auf den Arbeitsweg des Werkzeugs geraten könnte.** Ein Schneidwerkzeug, der mit einem unter Strom stehenden Draht in Kontakt gerät, kann bewirken, dass freiliegende Metallteile des Werkzeugs ebenfalls unter Strom stehen, was dem Benutzer einen Stromschlag versetzen könnte.
- **Legen Sie Ihr Werkzeug nie ab, bevor das Zubehörteil vollständig zum Stillstand gekommen ist.** Drehende Scheiben können sich in Oberflächen verhaken und das Elektrowerkzeug aus Ihrer Kontrolle ziehen.
- **Lassen Sie Ihr Werkzeug nicht eingeschaltet, während Sie es transportieren.** Das sich drehende Zubehörteil könnte sich in Ihren Kleidern verfangen und Sie schwer verletzen.
- **Säubern Sie regelmäßig die Lüftungsspalten des Werkzeugs.** Die Motorlüftung lässt Staub ins Motorgehäusinnere eindringen, dies kann zur Ansammlung von Metallpartikeln führen und Elektroschocks auslösen.
- **Benutzen Sie Ihr Werkzeug nicht in der Nähe leicht entflammbarer Produkte.** Funken könnten sie entflammen.

RÜCKSCHLAG UND ANDERE WARNUNGEN

Rückschlag ist eine plötzliche Reaktion auf eine eingeklemmte oder verhakte Scheibe. Einklemmen oder Verhaken verursacht ein rapides Stoppen der drehenden Scheibe, wodurch das Elektrowerkzeug am Kontaktpunkt unkontrolliert in die gegenläufige Drehrichtung forciert wird.

Wenn zum Beispiel eine Schleifscheibe sich in dem Werkstück verklemmt oder verbiegt, kann die Schnittfläche der Scheibe sich in die Oberfläche des Werkstücks einfressen, wodurch die Scheibe unvermittelt aus dem Teil schnell oder rückschlägt. Die Schleifscheibe kann beim Rückprall auch brechen. Der Rückprall ist die Folge unangebrachter Benutzung des Werkzeugs und/oder des Verfahrens oder unangemessener Benutzungsbedingungen.

Der Rückprall ist die Folge unangebrachter Benutzung des Werkzeugs und/oder des Verfahrens oder unangemessener Benutzungsbedingungen. Er kann durch die Beachtung bestimmter Sicherheitsmaßnahmen vermieden werden:

- **Halten Sie das Werkzeug gut fest und positionieren Sie Ihren Körper und Ihren Arm so, dass Sie einen eventuellen Rückprall kontrollieren können. Wenn**

das Werkzeug über einen zusätzlichen Handgriff verfügt, dann halten Sie ihn stets fest, um im Falle eines Rückpralls oder eines Gegenwirmoments beim Einschalten des Werkzeugs eine optimale Kontrolle über das Werkzeug zu haben. Ergreifen Sie die erforderlichen Maßnahmen, um Ihr Werkzeug im Falle eines Rückpralls oder Gegenwirmoments kontrollieren zu können.

- **Bringen Sie Ihre Hand niemals in die Nähe des drehenden Zubehörteils, dies kann im Falle eines Rückpralls schwere Körperverletzungen vermeiden.** Zubehör kann über Ihre Hand zurückschlagen.
- **Achten Sie darauf, dass Ihr Körper sich nicht in die Ebene der drehenden Scheibe befindet.** Das Werkzeug wird bei einem Rückprall in die entgegen gesetzte Richtung der Scheibendrehung geschleudert.
- **Geben Sie besonders Acht, wenn Sie an Ecken, scharfen Kanten usw. arbeiten.**
- **Vermeiden Sie es, mit dem Zubehörteil abzurutschen oder es einzuklemmen.** Wenn Sie an Ecken oder scharfen Kanten arbeiten, oder mit dem Werkzeug abrutschen, ist das Risiko, das Zubehörteil zu blockieren, die Kontrolle über das Werkzeug zu verlieren und einen Rückprall zu verursachen, größer.
- **Montieren Sie keine Kettensäge, Holzschnittmesser, segmentierte Diamantscheibe mit einem Seitenspalt von mehr als 10 mm oder Zahnsäge.** Solche Sägeblätter steigern das Rückprallrisiko und die Gefahr, die Kontrolle über das Werkzeug zu verlieren.
- **"Klemmen" Sie die Scheibe nicht ein oder wenden übermäßigen Druck an. Versuchen Sie nicht, einen übermäßig tiefen Schnitt auszuführen.** Wird die Scheibe überspannt, erhöht dies die Belastung der Scheibe und sie ist anfälliger dafür, im Schnitt zu verdrehen oder zu blockieren, für Rückschlag und dafür, zu zerbrechen.
- **Wenn die Scheibe festklemmt oder ein Schnitt aus irgendeinem Grund unterbrochen wird, schalten Sie das Elektrowerkzeug aus und halten Sie das Werkzeug still bis es vollkommen zum Stehen gekommen ist. Versuchen Sie niemals die Scheibe zu entfernen während die Scheibe sich bewegt, sonst kann ein Rückschlag auftreten.** Wenn die Scheibe sich verklemmt, suchen Sie nach der Ursache und ergreifen die erforderlichen Maßnahmen, damit dies nicht wieder geschieht.
- **Starten Sie den Schneidvorgang in dem Werkstück nicht erneut. Lassen Sie die Scheibe die volle Geschwindigkeit erreichen und führen Sie die Scheibe vorsichtig wieder in den Schnitt ein.** Die Scheibe kann festklemmen, nach oben laufen oder zurückschlagen, wenn das Werkzeug in dem Werkstück neu gestartet wird.





Deutsch

- **Stützen Sie Platten oder andere übergroße Werkstücke ab um die Gefahr eines Verkantens oder Rückschlages zu vermeiden.** Große Werkstücke können durch ihr eigenes Gewicht durchhängen. Werkstücke müssen in der Nähe der Schnittlinie und an der Werkstückkante auf beiden Seiten der Scheibe abgestützt werden.
- **Seien Sie besonders vorsichtig bei "Taschenschnitten" in bestehende Wände oder nicht einsehbare Bereiche.** Die hervorstehende Scheibe kann Gas- oder Wasserrohre, Elektrokabel oder Gegenstände die einen Rückschlag verursachen können schneiden.

ZUSÄTZLICHE SICHERHEITSWARNUNGEN

- Bei Nichtgebrauch müssen Sägen an einem trockenen Ort aufbewahrt werden und vorsichtig behandelt werden.

WEITERE SICHERHEITSHINWEISE ZUM AKKU

⚠️ WARNUNG

Um die durch einen Kurzschluss verursachte Gefahr eines Brandes, von Verletzungen oder Produktbeschädigungen zu vermeiden, tauchen Sie das Werkzeug, den Wechselakku oder das Ladegerät nicht in Flüssigkeiten ein und sorgen Sie dafür, dass keine Flüssigkeiten in die Geräte und Akkus eindringen. Korrodierende oder leitfähige Flüssigkeiten, wie Salzwasser, bestimmte Chemikalien und Bleichmittel oder Produkte, die Bleichmittel enthalten, können einen Kurzschluss verursachen.

TRANSPORT VON LITHIUM AKKUS

Transportieren Sie den Akku gemäß Ihren örtlichen und nationalen Bestimmungen und Regeln.

Befolgen Sie alle besonderen Anforderungen für Verpackung und Beschriftung, wenn Sie Akkus von Dritten transportieren lassen. Stellen Sie sicher, dass beim Transport kein Akku in Kontakt mit anderen Akkus oder leitenden Materialien kommt, indem Sie die freien Anschlüsse mit Isolierband, nichtleitenden Kappen oder Klebeband schützen. Transportieren Sie keine Akkus die gebrochen oder undicht sind. Befragen Sie Ihre Transportfirma nach weiteren Informationen.

BESCHREIBUNG

1. Entriegelungsknopf des Ein-/Aus-Schalters
2. Spindelverriegelungsknopf
3. Neigungsskala

4. Stellwinkel-Sperrknopf
5. Anlegekante-Sperrknopf
6. Schneidscheibe
7. Basisplatte
8. Knopf zur Einstellung des Durchflusses
9. Knopf zum Lösen der Wasserflasche
10. Wasserflasche
11. Knopf zur Einstellung der Schnitttiefe
12. Halterung für Scheibenschlüssel
13. Akku (nicht im Lieferumfang enthalten)
14. Druckschalter
15. Innere Scheibenunterlegscheibe
16. Rad
17. Äußere Scheibenunterlegscheibe
18. Scheibenschraube
19. Falscher Stützaufbau
20. Richtiger Stützaufbau
21. Parallele Schnittführung
22. Handgriff, isolierte Grifffläche

ZUSAMMENBAU

ANBRINGEN DER SCHWERKRAFTBESCHICKTEN WASSERFLASCHE

Siehe Abbildung 2.

Die schwerkraftbeschickte Wasserflasche verfügt über ein eingebautes Luftventil, das den Druck ausgleicht und für einen besseren Wasserfluss sorgt.

- Den Akku entfernen.
 - Die Auslassvorrichtung abschrauben.
 - Die Wasserflasche bis zum gewünschten Stand füllen. Nicht überfüllen.
 - Auslassvorrichtung wieder anbringen.
 - Halten Sie die Wasserflasche so, dass der Ausfluss nach unten gerichtet ist.
- BITTE BEACHTEN:** Aus der Flasche tritt kein Wasser aus bis die Spitze des Auslasses heruntergedrückt wird.
- Die Wasserflasche wie gezeigt einsetzen. Drücken Sie die Flasche langsam nach unten bis sie einrastet.
 - Drücken Sie zum Entnehmen der Flasche den Knopf zum Lösen der Wasserflasche.

BITTE BEACHTEN: Lassen Sie beim Trockenschneiden die Wasserflasche im Werkzeug, um zu vermeiden, dass Staub und Schnittabfälle das Wasserversorgungssystem verstopfen.

⚠️ ACHTUNG

Die Wasserflasche ist ausschließlich für Wasser vorgesehen! Die Verwendung anderer Flüssigkeiten kann das Werkzeug beschädigen.





Deutsch

⚠ WARNUNG

Die maximale Scheibengröße der Säge beträgt 101,6 mm. Verwenden Sie außerdem niemals eine Scheibe, deren Stärke so hoch ist, dass es nicht möglich ist, die äußere Scheibenunterlegscheibe auf der Gewindespitze der Spindel anzubringen. Größere Scheiben geraten in Kontakt mit der Scheibenschutzvorrichtung. Scheiben mit höherer Stärke verhindern, dass die Scheibe sicher mit der Scheibenschraube an der Spindel befestigt werden kann. Beide Situationen können zu schweren Unfällen führen!

⚠ WARNUNG

Verwenden Sie keine Schneidscheiben, die für eine geringere Leerlaufdrehzahl, als die, die dieses Werkzeug aufweist, ausgelegt sind. Die Nichtbeachtung dieser Warnung kann zu Verletzungen führen. Verwenden Sie keine Scheiben mit Rissen, Lücken oder Zähnen!

⚠ WARNUNG

Verwenden Sie keine gezahnten oder segmentierten Scheiben! Verwenden Sie ausschließlich für Steinmetzarbeiten geeignete Diamantscheiben mit Endlosrand.

ANBRINGEN DER SCHNEIDSCHLEIBE

Siehe Abbildung 3.

- Den Akku aus dem Schneider entfernen.
- Entnehmen Sie den Scheibenschlüssel (5 mm Sechskantschlüssel) aus der Halterung.
- Drücken Sie den Spindelsperrenknopf herunter und entfernen Sie Scheibenschraube und äußere Scheibenunterlegscheibe.

BITTE BEACHTEN: Drehen Sie die Scheibenschraube im Uhrzeigersinn, um sie zu entfernen.

⚠ ACHTUNG

Um eine Beschädigung der Spindel oder der Spindelsperre zu vermeiden, lassen Sie den Motor immer erst vollständig zum Stillstand kommen, bevor Sie die Spindelsperre betätigen.

BITTE BEACHTEN: Verwenden Sie den Schneider nicht mit aktivierter Spindelsperre.

- Verteilen Sie einen Tropfen Öl auf der inneren und der äußeren Scheibenunterlegscheibe dort, wo diese Kontakt mit der Scheibe haben.

⚠ WARNUNG

Falls die innere Scheibenunterlegscheibe abgenommen wurde, setzen Sie sie wieder auf, bevor Sie die Schneidscheibe auf die Spindel setzen. Ein Versäumnis kann einen Unfall verursachen, da die Schiebe nicht richtig befestigt wird!

- Äußere Scheibenunterlegscheibe anbringen.
- Drücken Sie den Spindelsperrenknopf und bringen Sie dann die Scheibenschraube an. Ziehen Sie die Scheibenschraube durch Drehen gegen den Uhrzeigersinn fest.
- Führen Sie den Scheibenschlüssel wieder in die Halterung.

BITTE BEACHTEN: Verwenden Sie niemals eine Schneidscheibe, deren Stärke so hoch ist, dass es nicht möglich ist, die äußere Scheibenunterlegscheibe auf der Gewindespitze der Spindel anzubringen.

BETRIEB

⚠ WARNUNG

Tragen Sie bei der Arbeit mit Fliesenschneidern immer eine Staubmaske! Falls Sie das nicht tun kann dies zu schweren Verletzungen führen.

⚠ WARNUNG

Tragen Sie bei der Verwendung von Werkzeugen immer eine Schutzbrille mit Seitenschutz. Die Missachtung dieser Anweisung kann dazu führen, dass Fremdkörper in Ihre Augen fliegen und schwere Augenverletzungen verursachen können.

⚠ WARNUNG

Verwenden Sie keine Aufsätze oder Zubehör, das nicht durch den Hersteller dieses Produkts empfohlen wird. Die Verwendung von nicht empfohlenen Komponenten oder Zubehörteilen kann zu schweren Verletzungen führen.

AKKU-SCHUTZSYSTEM

RYOBI 18 V Lithium-Ionen-Akkus wurden mit Vorrichtungen entwickelt, die die Lithium-Ionen Zellen schützen und die Lebensdauer des Akkus maximieren. Unter bestimmten Betriebsbedingungen veranlassen diese integrierten Vorrichtungen den Akku und das Werkzeug, das durch den Akku betrieben wird, dazu sich anders zu Verhalten als Nickel-Cadmium-Akkus.





Deutsch

Bei einigen Anwendungen kann die Akkuelektronik den Akku anweisen sich abzuschalten, was dazu führt, dass das Werkzeug aufhört zu laufen. Lösen Sie den Auslöser um Akku und Werkzeug wieder neu zu starten und den Normalbetrieb fortzusetzen.

BITTE BEACHTEN: Vermeiden Sie es, um ein weiteres Abschalten zu verhindern, das Werkzeug mit Gewalt einzusetzen.

Sollte ein Lösen des Auslösers Akku und Werkzeug nicht neu starten ist das Akkupack erschöpft. Wenn erschöpft, wird das Akkupack mit dem Aufladen beginnen sobald es auf das Lithium-Ionen-Ladegerät gesetzt wird.

AKKUPACK EINSETZEN

Siehe Abbildung 4.

- Setzen Sie den Akku in die Säge ein. Richten Sie den erhöhten Steg des Akkus auf die Nut innerhalb der Säge aus. Schieben Sie dann den Akku in die Säge.
- Lassen Sie die Laschen auf beiden Seiten des Akkus einrasten und vergewissern Sie sich vor der Benutzung, dass der Akku sicher in der Säge sitzt.

⚠ WARNUNG

Entfernen Sie immer den Akku von dem Gerät, wenn Sie Teile montieren, Einstellungen vornehmen, das Gerät reinigen, oder wenn Sie das Gerät nicht benutzen. Das Entfernen des Akkus verhindert ein unbeabsichtigtes Einschalten, das schwere Verletzungen verursachen könnte.

AKKUPACK ENTNEHMEN

Siehe Abbildung 4.

- Suchen Sie die Laschen an der Seite des Akkus und drücken Sie sie ein, um den Akku aus der Säge zu lösen.
- Nehmen Sie den Akku aus der Säge.

SCHNEIDSCHLEIBEN

Die besten Schneidscheiben arbeiten nicht effizient, wenn sie stumpf oder stark abgenutzt sind. Die Verwendung einer stumpfen Scheibe belastet die Säge stark. Halten Sie zusätzliche Scheiben bereit, so dass Ihnen jederzeit scharfe Scheiben zur Verfügung stehen.

EINSCHALTEN/AUSSCHALTEN DES SCHNEIDERS

Siehe Abbildung 5.

Die Säge einschalten:

- Drücken Sie den Sperrknopf herunter.
- Drücken Sie den Auslöserknopf.

Lassen Sie die Scheibe immer der Höchstgeschwindigkeit erreichen bevor Sie das Werkzeug dann in das Werkstück einführen.

Die Säge ausschalten:

- Lassen Sie den Auslöserknopf los.

Lassen Sie die Scheibe, nachdem Sie den Auslöserschalter losgelassen haben, vollständig zum Halt kommen. Ziehen Sie die Säge nicht aus dem Werkstück während die Scheibe sich noch in Bewegung befindet.

ENTRIEGELUNGSKNOPF DES EIN-/AUS-SCHALTERS

Siehe Abbildung 5.

Der Sperrknopf verringert das Risiko eines versehentlichen Starts. Der Sperrknopf befindet sich am Griff, oberhalb des Auslösers. Der Sperrknopf muss gedrückt werden, bevor Sie den Auslöser drücken. Die Sperre wird jedes Mal ausgelöst, wenn der Auslöser losgelassen wird.

BITTE BEACHTEN: Sie können den Sperrknopf sowohl von der rechten, als auch der linken Seite drücken.

SCHLEIBENTIEFE EINSTELLEN

Siehe Abbildung 6.

Arbeiten Sie immer mit der richtigen Scheibentiefeeinstellung! Die korrekte Scheibentiefeeinstellung sollte für alle Schnitte 6,35 mm unter dem zu schneidenden Material nicht überschreiten. Eine größere Scheibentiefe erhöht die Gefahr eines Rückschlags und verursacht einen groben Schnitt. Für höhere Schnittiefengenauigkeit ist eine Skala an der hinteren Klammer angebracht.

- Lösen Sie den Tiefeneinstellknopf.
- Legen Sie die gewünschte Schnitttiefe fest.
- Suchen Sie die Schnitttiefenskala an der hinteren Klammer.
- Halten Sie die Basis flach gegen das Werkstück und führen Sie die Säge nach oben bzw. nach unten, bis die Anzeigemarkierung der Klammer auf die Kerbe auf der Scheibenschutzvorrichtung ausgerichtet ist.
- Ziehen Sie den Knopf der Tiefeneinstellung fest an.

BETRIEB DER SÄGE

Siehe Abbildung 7 - 8.

Es ist wichtig, die richtige Arbeitsweise mit der Säge zu kennen. Schauen Sie sich die Abbildungen in diesem Abschnitt an, um zu sehen, wie mit der Säge richtig und falsch umgegangen werden kann.

⚠ WARNUNG

Beim Anheben der Säge vom Werkstück liegt die Schneidscheibe an der Unterseite der Säge frei.

Um den bestmöglichen Schnitt zu erhalten:

- Halten Sie die Säge fest mit beiden Händen.
- Vermeiden Sie es, ihre Hand beim Schneiden auf das Werkstück zu legen.





Deutsch

- Stützen Sie das Werkstück, so dass der Schnitt (Schnittfuge) immer auf Ihrer Seite liegt.
- Stützen Sie das Werkstück in der Nähe des Schnitts.
- Klammern Sie das Werkstück gut fest, so dass es sich während des Schnitts nicht bewegt.
- Setzen Sie die Säge am Werkstück immer dort an, wo es gestützt wird, nicht am „Schnittstück“.
- Legen Sie das Werkstück mit der „guten“ Seite nach unten.
- Markieren Sie bevor Sie mit dem Schnitt beginnen eine Linie entlang der gewünschten Schnittrichtung.

SCHNEIDEN

Zeichnen Sie den Schnitt immer erst mit einem Markier- oder Fettstift vor. Falls die Fliese glänzend und nur schwer zu markieren ist, kleben Sie Abklebeband auf die Fliese und markieren Sie dann das Klebeband.

Ein häufiges Problem beim Schneiden ist das Abweichen von der markierten Linie. Wenn Sie von der Markierung abweichen können Sie die Scheibe nicht wieder in die gewünschte Richtung führen, indem Sie die Fliese drehen. Ziehen Sie stattdessen das Werkzeug zurück und schneiden Sie die Fliese erneut, indem Sie ein kleines Stück der Fliese abschneiden bis die Scheibe wieder auf der Linie liegt.

Verwenden Sie zur Vermeidung dieses Problems bei Quer- und Gehrungsschnitten wann immer möglich eine Anlagkantenführung. Falls Sie nass Schneiden möchten, sollten Sie dies im Freien tun.

NUTZUNG DER KANTENFÜHRUNG

Siehe Abbildung 9.

Nutzen Sie die Kantenführung, wenn Sie mit der Säge lange oder breite Längsschnitte durchführen.

1. Den Akku aus dem Werkzeug entfernen.
2. Setzen Sie die Kantenführung durch die Schlitze im Unterteil der Säge ein.
3. Stellen Sie die Kantenführung auf die benötigte Breite ein.
4. Ziehen Sie die Flügelschraube fest.

Wenn Sie eine Kantenführung verwenden, platzieren Sie die Vorderseite der Kantenführung sicher an der Kante des Arbeitsstücks. So erhalten Sie einen genauen Schnitt, ohne die Säge abzuklemmen. Damit Ihr Schnitt gerade wird, muss die Führungskante des Arbeitsstücks gerade sein. Seien Sie vorsichtig, um ein Festlaufen der Säge im Schnitt zu verhindern.

WARTUNG UND PFLEGE

⚠️ WARNUNG

Verwenden Sie für die Wartung nur identische RYOBI-Ersatzteile. Der Einsatz von anderen Teilen kann eine Gefahr verursachen oder das Produkt beschädigen.

Vermeiden Sie beim Reinigen der Plastikteile den Einsatz von Lösungsmitteln. Die meisten Kunststoffe sind anfällig gegen die verschiedensten Arten von kommerziellen Reinigungsmitteln und können durch deren Verwendung beschädigt werden. Benutzen Sie saubere Lappen um Schmutz, Staub, Öl, Fett usw. zu entfernen.

⚠️ WARNUNG

Lassen Sie niemals Bremsflüssigkeiten, Benzine, Produkte auf Erdölbasis, Rostlöser usw. mit den Plastikteilen in Kontakt geraten. Chemikalien können Plastik beschädigen, aufweichen oder zerstören, was zu schweren Verletzungen führen kann.

Überlasten Sie Elektrowerkzeuge nicht. Überlastung kann das Werkzeug sowie das Werkstück beschädigen.

⚠️ WARNUNG

Versuchen Sie nicht dieses Werkzeug zu verändern, oder Zubehörteile deren Verwendung nicht für dieses Werkzeug empfohlen ist zu benutzen. Jede solche Änderung oder Umbau ist missbräuchlich, und könnte zu einer gefährlichen Situation mit möglichen schweren Verletzungen führen.

UMWELTSCHUTZ



Recyceln Sie die Rohstoffe, anstatt sie im Haushaltsabfall zu entsorgen. Zum Schutz der Umwelt müssen das Gerät, die Zubehörteile und die Verpackungen getrennt entsorgt werden.

SYMBOLE



Sicherheitswarnung



CE Konformität



Deutsch



EurAsian Konformitätszeichen



Ukrainisches Prüfzeichen



Augenschutz tragen



Bitte lesen Sie die Anweisungen sorgfältig, bevor Sie das Gerät einschalten.



Tragen Sie Augen-, Gehör- und Atemschutz.



Stein



Marmor



Keramik



Porzellan



Elektrische Geräte sollten nicht mit dem übrigen Müll entsorgt werden. Bitte entsorgen Sie diese an den entsprechenden Entsorgungsstellen. Wenden Sie sich an die örtliche Behörde oder Ihren Händler, um Auskunft über die Entsorgung zu erhalten.



Español

Seguridad, desempeño y fiabilidad han sido las prioridades en el diseño de la sierra húmeda/seca de 18 volt para azulejos.

USO PREVISTO

Puede utilizar este producto para los fines que figuran a continuación:

- Cortes transversales húmedos, cortes en dirección de la veta y cortes diagonales de azulejos artesanales, adoquines, tejas y materiales de piedra natural.
- Para el corte en seco de los materiales antes mencionados, es necesaria un disco de corte especial (no incluida).

Este producto es compatible con baterías de ión-litio RYOBI ONE+ de 18 V y baterías de níquel-cadmio RYOBI ONE+ de 18 V.

Para completar las instrucciones de carga, consulte los manuales del operador para su modelo de RYOBI ONE + batería.

⚠ ADVERTENCIA

Lea todas las instrucciones y advertencias de seguridad. No seguir las advertencias e instrucciones correctamente puede provocar descargas eléctricas, incendios y/o daños graves.

Guarde todas estas advertencias e instrucciones para futuras referencias.

ADVERTENCIAS DE SEGURIDAD DE LA SIERRA PARA AZULEJOS

- La protección suministrada con la herramienta debe instalarse firmemente en la herramienta eléctrica y colocarse correctamente para una seguridad máxima, de forma que el operador esté expuesto a la menor cantidad de disco posible. Colóquese usted y otras personas alejadas del plano del disco giratorio. La protección ayuda a proteger al operario de los fragmentos del disco y del contacto accidental con el disco.
- Use solo discos de diamante para su herramienta eléctrica. Aun cuando pueda montar un accesorio en una herramienta, esto no le garantiza que pueda utilizar la herramienta con total seguridad.
- La velocidad nominal del accesorio debe ser igual o superior a la velocidad máxima indicada en la herramienta. Los accesorios que funcionen a una velocidad superior a su velocidad nominal pueden romperse y resultar proyectados de la herramienta.
- Los discos sólo deben utilizarse para las aplicaciones recomendadas. Por ejemplo, no use los laterales de los discos de corte para amolar. Los discos abrasivos de corte están destinados a las

fuerzas laterales, de afilado periférico; si se aplican a estos discos puede hacer que se rompan.

- Siempre use bridas en los discos en perfecto estado que sean del diámetro correcto para el disco seleccionado. Las bridas adecuadas soportan el disco, reduciendo así la posibilidad de rotura del mismo.
- El diámetro exterior y el grosor del accesorio deben corresponder a las características especificadas para la herramienta. Si los accesorios no corresponden a las características indicadas, los sistemas de protección y ajuste de la herramienta no podrán funcionar correctamente.
- El tamaño del árbol de los discos y las bridas debe encajar correctamente en el eje de la herramienta eléctrica. Los discos y las bridas con orificios en el árbol que no encajen con el hardware de montaje de la herramienta eléctrica se desequilibrarán, vibrarán excesivamente y pueden provocar la pérdida de control.
- No utilice discos dañados. Antes de cada utilización, inspeccione los discos para detectar grietas y grietas. Si la herramienta eléctrica o el disco se caen, verifique si existen daños o instale un disco que no esté dañado. Después de inspeccionar e instalar el disco, colóquese usted y los que están alrededor lejos del plano de disco giratorio y opere la herramienta eléctrica a velocidad máxima sin carga durante un minuto. Normalmente los discos dañados se partirán durante el test.
- Use el equipo de protección personal. En función del uso que haga de la herramienta, lleve una máscara de protección, gafas de seguridad o de protección. Si fuera necesario, lleve una mascarilla antipolvo, protecciones auditivas, guantes y un delantal de protección para protegerse de las proyecciones de cuerpos extraños (elementos abrasivos, virutas de madera, etc.). Las gafas de protección permiten evitar las proyecciones de residuos que pueden dañar los ojos. Las mascarillas antipolvo permiten filtrar las partículas producidas por la operación que está realizando. La exposición prolongada a ruidos de fuerte intensidad puede causar una pérdida de audición.
- Mantenga a las demás personas a una distancia prudente de la zona de trabajo y cerciúrese de que lleven un equipo de protección. Cualquiera que entre en el área de trabajo debe utilizar equipo de protección personal. Fragmentos de la pieza de trabajo o de un disco partido pueden saltar y causar lesiones más allá del área inmediata de operación.
- Sujete la máquina por la parte engomada cuando trabaje en una superficie debajo de la cual puedan pasar cables eléctricos o cuando el trabajo que desee realizar puede hacer que el cable de alimentación esté en la trayectoria de la máquina. El accesorio de corte que esté en contacto con un





Español

cable "vivo" puede transmitir corriente a las piezas metálicas de la herramienta que estén expuestas y el operador podría sufrir una descarga eléctrica.

- **No deje nunca la herramienta hasta que el accesorio se haya detenido completamente.** El disco giratorio puede rozar la superficie y poner la herramienta fuera de su control.
- **No transporte la herramienta mientras está funcionando.** El accesorio en movimiento podría engancharse en su ropa y causarle heridas graves.
- **Limpie con frecuencia las ranuras de ventilación de la herramienta.** La ventilación del motor arrastra el polvo hacia el cárter del motor, lo que puede producir una acumulación excesiva de partículas metálicas y provocar descargas eléctricas.
- **No utilice la herramienta cerca de productos inflamables.** Las chispas podrían provocar un incendio.

ADVERTENCIAS DE REBOTE Y SIMILARES

El rebote es una reacción repentina a un disco giratorio pinchado o enganchado. Las causas de que se pinchen o se enganchen son la parada rápida del disco giratorio, lo que provoca a su vez que la herramienta eléctrica descontrolada se vea forzada en la dirección opuesta a la del giro del disco en el punto de enganche.

En el caso de que por ejemplo, un disco amolador se atasque o bloquee en la pieza de trabajo, puede suceder que el canto del accesorio que penetra en el material se enganche, provocando la rotura del accesorio o el rebote del aparato. Según el sentido de giro y la posición del accesorio en el momento de bloquearse puede que éste resulte despedido hacia, o en sentido opuesto al usuario. En estos casos puede suceder que el accesorio incluso llegue a romperse.

Por lo tanto, el rebote es el resultado de una mala utilización de la máquina y/o de procedimientos o condiciones de corte incorrectas.

- **Sostenga firmemente la herramienta y mantenga el cuerpo y el brazo de manera que pueda controlar un posible rebote.** Si la herramienta cuenta con una empuñadura auxiliar, sosténgala siempre para tener un óptimo control de la herramienta en caso de producirse algún rebote o par de reacción al poner en marcha la herramienta. Adopte las medidas necesarias para poder controlar la herramienta en caso de producirse algún rebote o par de reacción.
- **No coloque nunca las manos cerca del accesorio en movimiento para evitar el riesgo de heridas graves en caso de producirse algún rebote.** Accesorio puede rebotar contra su mano.
- **No coloque su cuerpo en línea con el disco giratorio.** De producirse algún rebote, la herramienta sería expulsada en el sentido opuesto al sentido de rotación del disco.

- **Preste especial atención cuando trabaje en ángulos, bordes cortantes, etc.**
- **Evite que el accesorio resbale o se atasque.** Cuando trabaja en ángulos o bordes cortantes o cuando la herramienta resbala, aumenta el riesgo de bloqueo del accesorio, lo que le puede hacer perder el control de la herramienta y provocar un rebote.
- **No acople una motosierra, una lámina para tallar madera, un disco de diamante segmentado con un hueco periférico de más de 10 mm o una hoja de sierra dentada.** Este tipo de hojas aumenta el riesgo de rebote y de pérdida de control de la herramienta.
- **No "sature" el disco ni aplique una presión excesiva. No trate de hacer una excesiva profundidad de corte.** La sobrecarga del disco aumenta la carga y la susceptibilidad a la torsión o al atasco del disco en el corte y la posibilidad de contragolpes o rotura del disco.
- **Cuando el disco se bloquee, o cuando se interrumpe un corte por cualquier razón, apague la herramienta y manténgala inmóvil hasta que el disco se detenga por completo. Nunca intente retirar el disco del corte mientras está en movimiento porque podría rebotar.** Si el disco se atasca, averigüe la causa del problema y tome las medidas necesarias para que no se repita.
- **No reinicie la operación de corte en la pieza de trabajo. Deje que el disco alcance la máxima velocidad y con cuidado vuelva a introducir la herramienta para realizar el corte.** El disco se puede doblar, saltar o rebotar si la herramienta se vuelve a arrancar en la pieza de trabajo.
- **Apoye los paneles o cualquier pieza de gran tamaño para minimizar el riesgo de que se atasque el disco o de que la unidad rebote.** Las piezas de trabajo grandes tienden a hundirse por su propio peso. Los soportes deben colocarse bajo la pieza de trabajo cerca de la línea de corte y cerca del borde de la pieza de trabajo a ambos lados del disco.
- **Tenga mucho cuidado al hacer un "corte de bolsillo" en paredes u otras superficies similares.** El disco que sobresale puede cortar tuberías de gas o agua, cables eléctricos u objetos que pueden causar un efecto rebote.

AVISOS DE SEGURIDAD ADICIONALES

- Cuando no estén en uso, las cuchillas deben guardarse en un lugar seco y manipularse con cuidado.



Español

ADVERTENCIAS DE SEGURIDAD DE LA BATERÍA ADICIONAL

⚠ ADVERTENCIA

Para reducir el riesgo de incendio, lesión personales y daños al producto debido a un cortocircuito, no sumerja nunca la herramienta, el paquete de baterías o el cargador en líquido ni permita que fluya un fluido dentro de ellos. Los fluidos corrosivos o conductivos, como el agua de mar, ciertos productos químicos industriales y blanqueadores o lejías que contienen, etc., Pueden causar un cortocircuito.

TRANSPORTE DE BATERÍAS DE LITIO

Transporte la batería de conformidad con las disposiciones y las normativas locales y nacionales.

Cuando las baterías sean transportadas por un tercero, cumpla los requisitos especiales relativos al embalaje y etiquetado. Asegúrese de que ninguna batería entra en contacto con otra batería o con materiales conductores durante el transporte, proteja los conectores expuestos con tapones o tapas aislantes no conductoras. No transporte baterías con fisuras o fugas. Para más asesoramiento, póngase en contacto con la empresa de distribución.

DESCRIPCIÓN

1. Botón para liberar el gatillo
2. Botón de bloqueo del eje
3. Escala de inclinación
4. Botón de bloqueo en bisel
5. Botón de bloqueo de la guía de bordes
6. Disco de corte
7. Base
8. Botón de ajuste de flujo
9. Botón de liberación de la botella de agua
10. Botella de agua
11. Botón de bloqueo de profundidad
12. Almacenamiento de la llave para tuercas
13. Batería (no incluida)
14. Gatillo del interruptor
15. Arandela del disco interior
16. Rueda
17. Arandela del disco exterior
18. Tornillo del disco
19. Método incorrecto de apoyo
20. Método correcto de apoyo
21. Guía de corte paralelo
22. Impugnatura con superficie aislata antiscivolo

MONTAJE

INSTALACIÓN DE LA BOTELLA DE AGUA DE ALIMENTACIÓN POR GRAVEDAD

Ver figura 2.

La botella de agua de alimentación por gravedad incluye una salida de aire que iguala la presión y permite que el agua fluya más libremente.

- Retire la batería.
 - Desenrosque el conjunto de la boquilla.
 - Llene la botella de agua al nivel deseado. No llene en exceso.
 - Reemplace el conjunto de la boquilla.
 - Sostenga la botella de agua de tal modo que la boquilla apunte hacia abajo.
- NOTA:** El agua no se saldrá de la botella a menos que presione la punta de la boquilla.
- Inserte la botella de agua como se muestra. Presione suavemente hacia abajo en la botella hasta que encaje en su lugar.
 - Para quitar la botella de agua, pulse el botón de liberación de la botella de agua.

NOTA: Para realizar un corte en seco, deje la botella de agua instalada para evitar que el polvo y los residuos se obstruyan en el sistema de abastecimiento de agua.

⚠ PRECAUCIÓN

La botella de agua está diseñada sólo para utilizar con agua. El uso de cualquier otro líquido puede causar daños en la herramienta.

⚠ ADVERTENCIA

Un disco de 101,6 mm es la capacidad máxima para la sierra. Nunca debe usar un disco que sea demasiado grueso y que, por tanto, pueda hacer que la arandela exterior se acople con la parte plana del eje. Los discos más grandes entrarán en contacto con los protectores del disco, mientras que los discos más gruesos evitarán que el tornillo del disco se afloje en el eje. Cualquiera de estas situaciones podría resultar en un grave accidente.

⚠ ADVERTENCIA

No utilice discos de corte nominal inferior a la velocidad sin carga de esta herramienta. No prestar atención a esta advertencia podría resultar en lesiones personales. No use el disco con grietas, huecos, o dientes.

Español

⚠ ADVERTENCIA

No use discos dentados o segmentados. Utilice sólo discos continuos con borde de diamante, adecuadas para los materiales de albañilería.

INSTALACIÓN DEL DISCO DE CORTE

Ver figura 3.

- Retire la batería de la sierra.
- Retire la llave para tuercas (llave hexagonal de 5 mm) de la zona de almacenamiento.
- Presione el botón de bloqueo del eje y retire el tornillo del disco y la arandela exterior.

NOTA: Gire el tornillo del disco hacia la derecha para quitarlo.

⚠ PRECAUCIÓN

Para evitar daños en el bloqueo del eje o en el mismo eje, deje que el motor llegue a detenerse completamente antes de activar el bloqueo del eje.

NOTA: No utilice la sierra con el eje de bloqueo activado.

- Limpie cualquier gota de aceite de la arandela interior y la arandela exterior del disco, donde entran en contacto con el disco.

⚠ ADVERTENCIA

Si la arandela interior se ha extraído, sustitúyala antes de colocar el disco de corte en el eje. Si no lo hace podría causar un accidente ya que el disco no se ajustará adecuadamente.

- Coloque la arandela exterior.
- Presione el botón de bloqueo del eje, y a continuación, coloque el tornillo del disco. Apriete el tornillo del disco de forma segura girando en sentido antihorario.
- Vuelva a colocar la llave en su lugar.

NOTA: Nunca use un disco de corte que sea lo suficientemente grueso como para que la arandela exterior se acople a las partes planas del eje.

FUNCIONAMIENTO

⚠ ADVERTENCIA

Utilice siempre una mascarilla cuando esté trabajando con azulejo. Si no lo hace podría haber un riesgo de lesiones graves.

⚠ ADVERTENCIA

Use siempre gafas de seguridad con protectores laterales cuando esté manipulando productos. Si incumple esta instrucción, pueden proyectarse cuerpos extraños a sus ojos y provocarle graves lesiones oculares.

⚠ ADVERTENCIA

No utilice conexiones ni accesorios que no estén recomendados por el fabricante de este producto. El uso de cualquier pieza o accesorio no recomendado puede ocasionar lesiones personales graves.

CARACTERÍSTICAS DE PROTECCIÓN DE LA BATERÍA

Las baterías de ión-litio 18 V de RYOBI están diseñadas con características que protegen las celdas de ión-Litio y maximizan la vida de la batería. Dependiendo de las condiciones de funcionamiento, los elementos incluidos pueden hacer que la batería y la herramienta a la que suministra energía, actúen de forma diferente a las baterías de níquel-cadmio.

En algunas aplicaciones, la batería electrónica puede señalar que la batería está agotada y detener el funcionamiento de la herramienta. Para reiniciar la batería y la herramienta, suelte el gatillo y vuelva a encender normalmente.

NOTA: Para evitar una nueva inactividad de la batería, evite forzar la herramienta.

Si al soltar el gatillo no se reinicia el funcionamiento de la batería y herramienta, significará que la batería está agotada. Si es así, la batería comenzará a cargarse cuando se coloque en el cargador de ión-litio.

INSTALACIÓN DE LA BATERÍA

Ver figura 4.

- Coloque la batería en la sierra. Alinee la pestaña elevada de la batería con la ranura de la sierra y, a continuación, deslice la batería en la sierra.
- Asegúrese de que los cierres que se encuentran a cada lado de la batería encajen en su lugar y de que la batería esté fijada en la sierra antes de comenzar a utilizarla.

⚠ ADVERTENCIA

Retire siempre la batería de la herramienta cuanto esté instalando piezas, haciendo ajustes, limpiando o cuando no esté en uso. La extracción de la batería evitará un arranque accidental que podría provocar daños personales graves.



Español

EXTRACCIÓN DE LA BATERÍA

Ver figura 4.

- Localice los pestillos en el lateral de la batería y presiónelos para extraer la batería de la sierra.
- Retire la batería de la sierra.

DISCOS DE CORTE

Los mejores discos de corte no cortarán de manera eficiente está embotados o muy desgastados. Con un disco embotado colocará una carga pesada en la sierra. Mantenga los discos extra a mano, de modo que disponga siempre de discos afilados.

INICIAR/DETERENER LA SIERRA

Ver figura 5.

Para iniciar la sierra:

- Presione el botón de bloqueo.
- Presione el gatillo-interruptor.

Deje siempre que el disco alcance la velocidad máxima y, a continuación, guía la sierra sobre la pieza de trabajo.

Para detener la sierra:

- Suelte el gatillo-interruptor.

Después de soltar el gatillo-interruptor, deje que el disco se detenga completamente. No retire la sierra de la pieza de trabajo mientras que el disco está en movimiento.

BOTÓN PARA LIBERAR EL GATILLO

Ver figura 5.

El botón de bloqueo reduce la posibilidad de un arranque accidental. El botón de bloqueo está situado en el mango por encima del gatillo-interruptor. El botón de bloqueo debe estar presionado antes de apretar el gatillo-interruptor. El bloqueo se restablece cada vez que suelte el gatillointerruptor.

NOTA: Puede soltar el botón de bloqueo que se encuentra a cada lado de la herramienta.

AJUSTE DE LA PROFUNDIDAD DE LOS DISCOS

Ver figura 6.

Mantenga siempre la profundidad correcta del disco. La profundidad adecuada del disco para cualquier tipo de corte no debe exceder los 6,35 mm por debajo del material a cortar. Una mayor profundidad aumentará las posibilidades de retroceso y dificultará el corte. Para más exactitud en la profundidad de corte, dispone de una escala localizada en la abrazadera trasera.

- Afloje el perno de ajuste de profundidad.
- Determine la profundidad de corte deseada.
- Localice la escala de profundidad de corte en la abrazadera trasera.
- Sostenga la base plana contra la pieza de trabajo y eleve o baje la sierra hasta que la marca de indicador o la abrazadera se alinee con la muesca de la protección de los discos.
- Apriete el botón de ajuste de profundidad de forma segura.

FUNCIONAMIENTO DE LA SIERRA

Ver figura 7 - 8.

Es importante entender el método correcto para utilizar la sierra. Consulte las cifras de esta sección para aprender las formas correctas e incorrectas de utilizar la sierra.

A ADVERTENCIA

Al levantar la sierra de la pieza de trabajo, el disco se expone por la parte inferior de la sierra.

Para hacer el corte lo mejor posible:

- Sostenga la sierra firmemente con ambas manos.
- Evite colocar su mano sobre la pieza de trabajo mientras realiza un corte.
- Apoye la pieza de trabajo de modo que el corte (vía de sierra) esté siempre a su lado.
- Apoye la pieza de trabajo cerca de la corte.
- Sujete la pieza de trabajo de forma segura con una abrazadera para que la pieza no se mueva durante el corte.
- Coloque siempre la sierra sobre la pieza de trabajo que esté apoyada, no la pieza "cortada".
- Coloque la pieza de trabajo con el "lado bueno" hacia abajo.
- Dibuje una línea-guía a lo largo de la línea de corte deseada antes de comenzar su corte.

REALIZACIÓN DE CORTES

Trace siempre la línea a cortar en el azulejo con un marcador o un lápiz litográfico. Si el azulejo es brillante y difícil de marcar, coloque cinta adhesiva sobre el azulejo y realice la marca en la cinta.

Un problema común al cortar azulejo es desviarse de la línea marcada. Una vez que se haya desviado de la marca, no debe forzar el disco trasero a la línea girando el azulejo. En su lugar, vuelva hacia atrás y vuelva a cortar el azulejo cortando por la línea correcta.

Para evitar este problema, utilice una guía de borde recto siempre que sea posible para hacer cortes transversales y cortes a inglete. Si desea realizar un corte húmedo, debería realizarlo en el exterior.

UTILICE LA GUÍA DE BORDE

Ver figura 9.

Utilice la guía de borde al realizar cortes al hilo largos o anchos con la sierra.

1. Retire la batería de la herramienta.
2. Coloque la guía de borde a través de las ranuras de la base de la sierra.
3. Ajuste la guía de borde a la anchura necesaria.
4. Apriete bien el tornillo de mariposa.

Al utilizar la guía de borde, coloque la cara de la guía de bordo firmemente contra el borde de la pieza de trabajo. Así realizará un verdadero corte sin pellizcar la cuchilla.



Español

El borde de guía de la pieza de trabajo debe estar recto para que le corte sea recto. Tenga cuidado al evitar que la cuchilla se atasque en el corte.

MANTENIMIENTO

⚠ ADVERTENCIA

Si fuera preciso cambiar algún elemento, utilice exclusivamente piezas de recambio RYOBI originales. El uso de otras piezas puede ocasionar riesgos o daños en el producto.

Evite el uso de disolventes para limpiar las piezas de plástico. La mayoría de los plásticos se dañan con diferentes tipos de disolventes comerciales y se pueden dañar con su uso. Utilice un paño limpio para retirar las impurezas, el polvo, el aceite, la grasa, etc.

⚠ ADVERTENCIA

No permita en ningún momento que las piezas de plástico entren en contacto con líquido de frenos, gasolina, productos derivados del petróleo, aceites penetrantes, etc. Los productos químicos pueden dañar, destruir o debilitar el plástico, lo que puede ocasionar graves daños personales.

No abuse de las herramientas eléctricas. Las prácticas abusivas pueden dañar la herramienta al igual que la pieza de trabajo.

⚠ ADVERTENCIA

No intente modificar esta herramienta o crear accesorios no recomendados para utilizar con esta herramienta. Cualquier alteración o modificación supone un uso indebido y podría provocar condiciones peligrosas que conduzcan a posibles lesiones personales graves.

PROTECCIÓN DEL MEDIO AMBIENTE



Recicle las materias primas en lugar de tirarlas a la basura doméstica. Para proteger el medio ambiente, debe separar la herramienta, los accesorios y los embalajes.

SÍMBOLOS



Alerta de seguridad



Conformidad CE



Certificado EAC de conformidad



Marca de conformidad ucraniana



Utilice gafas de seguridad



Por favor lea las instrucciones detenidamente antes de arrancar la máquina.



Proteja los ojos, los oídos y la nariz.



Piedra



Mármol



Cerámica



Porcelana



Los productos eléctricos de desperdicio no deben desecharse con desperdicios caseros. Por favor reciclelos donde existan dichas instalaciones. Compruebe con su autoridad local o minorista para reciclar.



Italiano

È stata data la massima priorità a sicurezza, prestazioni e affidabilità nel design di questo tagliapiastrelle ad acqua / a secco da 18V

UTILIZZO

Questo prodotto potrà essere utilizzato per i seguenti scopi:

- Tagli incrociati umidi, tagli longitudinali e smussature di piastrelle, lastre o piastrelle in pietra naturale.
- Per tagliare a secco i materiali di cui sopra, utilizzare una ruota di taglio speciale (non fornita).

Questo prodotto accetterà gruppi batteria agli ioni di litio da 18 V RYOBI ONE+ e gruppi batterie al nichel-cadmio da 18 V RYOBI ONE+.

Per completare le istruzioni di carica, far riferimento al Manuale d'Istruzioni per il gruppo batterie RYOBI ONE+ e i modelli con caricatore.

⚠ AVVERTENZE

Leggere tutti gli avvertimenti e le istruzioni di sicurezza. La mancata osservanza delle avvertenze e delle istruzioni potrà causare scosse elettriche, incendi e/o gravi lesioni personali.

Conservare tutte le istruzioni e le avvertenze per eventuali riferimenti futuri.

AVVERTENZE DI SICUREZZA SEGA TAGLIAPIASTRELLE

- Le protezioni fornite con l'utensile dovranno essere assicurate all'elettrotensile e posizionate correttamente per garantire la massima sicurezza, in modo da esporre verso l'operatore una quantità minima di ruota. L'operatore ed eventuali osservatori dovranno posizionarsi ad adeguata distanza dal piano della ruota rotante. I pararuote aiutano a proteggere l'operatore da frammenti di ruote rotte e da contatto accidentale con le ruote.
- Utilizzare solo ruote alla polvere di diamante con l'elettrotensile. Anche se un accessorio può essere montato su un apparecchio, ciò non garantisce che l'apparecchio possa comunque essere utilizzato in totale sicurezza.
- La velocità nominale dell'accessorio deve essere pari o superiore alla velocità massima indicata sull'apparecchio. Gli accessori utilizzati ad una velocità superiore alla loro velocità nominale possono infatti rompersi ed essere proiettati verso l'esterno.
- Le ruote devono essere utilizzate solo per le applicazioni raccomandate. Per esempio, non

svolgere operazioni di smerigliatura con la parte laterale delle ruote di taglio. Le ruote di taglio abrasive sono progettate per molature periferiche, applicare eccessiva forza su di esse potrà romperle.

- Utilizzare sempre flange per ruote non danneggiate del diametro corretto per le ruote selezionate. Le flange per le ruote sostengono le ruote riducendo la possibilità di rottura.
- Il diametro esterno e lo spessore dell'accessorio devono corrispondere alle caratteristiche specificate per l'apparecchio. Se gli accessori non corrispondono alle caratteristiche indicate, i sistemi di protezione e di regolazione dell'apparecchio non possono funzionare correttamente.
- La dimensione del mandrino delle ruote e delle flange deve combaciare con quella dell'asse dell'elettrotensile. Le ruote e le flange con fori per il mandrino che non combaciano con la parte meccanica dell'utensile perderanno qualsiasi equilibrio, vibreranno in maniera eccessiva, e causeranno una perdita di controllo.
- Non utilizzare ruote danneggiate. Prima di ciascun utilizzo, controllare che le ruote non presentino incrinature e rotture. Se l'utensile o la ruota cade, controllare eventuali danni o installare una ruota nuova. Dopo aver controllato e montato la ruota, posizionare se stessi ed eventuali osservatori lontani dal piano della ruota rotante e avviare l'utensile alla velocità massima senza carico per un minuto. Le ruote danneggiate si romperanno durante il tempo di test.
- Indossare dispositivi equipaggiamento di protezione personale. A seconda dell'uso a cui è destinato l'apparecchio, indossare una maschera protettiva, occhiali di sicurezza o occhiali di protezione. All'occorrenza, indossare una maschera antipolvere, dispositivi di protezione uditiva, guanti ed un grembiule di protezione per proteggersi da eventuali proiezioni di corpi estranei (elementi abrasivi, trucioli di legno, ecc.). Gli occhiali di protezione consentono di evitare le lesioni oculari dovute alle proiezioni di frammenti. Le maschere antipolvere permettono di filtrare le particelle generate dall'operazione eseguita. L'esposizione prolungata ad un rumore di forte intensità può comportare la perdita dell'udito.
- Tenere le persone estranee a debita distanza dalla zona di lavoro ed assicurarsi che indossino un'attrezzatura di protezione. Persone che entrano nella zona di lavoro deve indossare dispositivi di protezione individuale. Frammenti del pezzo sul quale si sta lavorando o di una ruota rotta potranno essere scagliati contro l'operatore e causare lesioni a osservatori posizionatisi appena oltre l'area di lavoro.
- Quando si lavora su una superficie che potrebbe





Italiano

nascondere fili elettrici o se il lavoro da eseguire può portare il cavo d'alimentazione a trovarsi sulla traiettoria dell'apparecchio, afferrare quest'ultimo tenendolo soltanto per le parti isolate ed antiscivolo. Se la lama taglia un cavo "vivo" le parti esposte dell'elettrotensile potrebbero fare da conduttore e causare scosse elettriche.

- **Non posare mai l'apparecchio prima che l'accessorio si sia completamente arrestato.** La ruota in movimento potrà afferrare la superficie e fare perdere il controllo dell'utensile.
- **Non fare funzionare l'apparecchio mentre lo si trasporta.** L'accessorio in rotazione potrebbe impigliarsi nei propri indumenti e causare gravi lesioni.
- **Pulire regolarmente le aperture di ventilazione dell'apparecchio.** La ventilazione del motore fa penetrare le polveri all'interno del carter del motore, con conseguente accumulo eccessivo di particelle metalliche e possibilità di scosse elettriche.
- **Non utilizzare l'apparecchio nelle vicinanze di prodotti infiammabili.** Le eventuali scintille generate rischierebbero di incendiarli.

RIMBALZI E AVVERTENZE CORRELATE

Il rimbalzo è una reazione improvvisa a una ruota rotante incastrata o bloccata. Eventuali blocchi o rotture causeranno rapidi blocchi della ruota in movimento che a sua volta spingerà l'utensile fuori controllo nella direzione opposta a quella della rotazione della ruota al momento del blocco.

Ad esempio, se un disco abrasivo si incastra o si piega nel pezzo da lavorare, il tagliente del disco rischia di penetrare nella superficie del pezzo facendo uscire bruscamente il disco dal pezzo e scagliandolo verso l'operatore o comunque a distanza. La ruota può saltare verso o lontano dall'operatore, a seconda della direzione del movimento della ruota al punto di pizzicamento. In caso di contraccolpo, il disco abrasivo può anche rompersi.

Il contraccolpo è pertanto il risultato di un utilizzo errato dell'apparecchio e/o di procedimenti o di condizioni di impiego inappropriati.

- **Tenere l'apparecchio saldamente e posizionare il proprio corpo e il braccio in modo tale da riuscire a controllare un eventuale contraccolpo.** Se l'apparecchio dispone di un'impugnatura ausiliaria, assicurarsi sempre di afferrarla per avere il controllo ottimale dell'apparecchio in caso di contraccolpo o di controcoppia al momento della sua messa in funzione. Adottare le misure necessarie per riuscire a controllare l'apparecchio in caso di contraccolpo o di controcoppia.
- **Non avvicinare mai la mano all'accessorio in rotazione, onde evitare qualunque rischio di gravi lesioni fisiche in caso di contraccolpo.** Accessorio

possono causare contraccolpi alla mano.

- **Non allineare il corpo con la ruota rotante.** In caso di contraccolpo, l'apparecchio viene scagliato nella direzione opposta al senso di rotazione del disco.
- **Prestare particolare attenzione quando si lavora su angoli, bordi taglienti, ecc.**
- **Evitare di fare slittare o di incastrare l'accessorio.** Quando si lavora su angoli o bordi taglienti o si fa slittare l'apparecchio, si accentua il rischio di bloccare l'accessorio e pertanto di perdere il controllo dell'apparecchio stesso e di provocare un contraccolpo.
- **Non collegare una catena, una lama per taglio del legno, una ruota segmentata alla polvere di diamante con un taglio periferico più profondo di 10 mm o una motosega dentata.** Queste lame aumentano infatti il rischio di contraccolpo e di perdita di controllo dell'apparecchio.
- **Non "incastrare" la ruota né applicare eccessiva pressione. Non tentare di fare un taglio eccessivamente profondo.** Applicare una eccessiva forza sulla ruota aumenterà il carico e la possibilità che la ruota si pieghi o rimanga incastrata nel taglio e la possibilità di rimbalzi o di rottura delle ruote.
- **Se la ruota rimane incastrata o quando si interrompono le operazioni di taglio per una qualsiasi ragione, scollegare l'elettrotensile e attendere fino a che la ruota non si sia bloccata completamente. Non tentare di rimuovere la ruota dal taglio mentre è in movimento, in caso contrario si verificherebbero dei rimbalzi.** Se il disco si incastra, individuarne la causa e adottare le misure necessarie affinché ciò non si verifichi più.
- **Non riavviare le operazioni di taglio sul pezzo sul quale si sta lavorando. Lasciare che la ruota raggiunga la massima velocità quindi reinserire la lama nel taglio.** La ruota potrà incastrarsi, rimanere bloccata o scagliare contro l'operatore corpi estranei se l'elettrotensile viene riavviato nel pezzo sul quale si sta lavorando.
- **Reggere pannelli o pezzi più grandi sui quali si sta lavorando per minimizzare il rischio che la ruota rimanga incastrata e rischi di rimbalzo.** I pezzi molto grandi sui quali si lavora tendono a cedere sotto il proprio peso. I sostegni dovranno essere posizionati sotto il pezzo sul quale si sta lavorando accanto alla linea di taglio e vicino all'estremità del pezzo sul quale si sta lavorando su entrambi i lati della ruota.
- **Fare ulteriori attenzione quando si svolgono "tagli di profondità" in muri o altre zone cieche.** La ruota che protrude potrà tagliare tubi del gas e dell'acqua, cavi elettrici o scagliare verso l'operatore corpi estranei.





Italiano

ULTERIORI AVVERTENZE DI SICUREZZA

- Quando le lame non vengono utilizzate devono essere riposte in un luogo asciutto e manipolate con attenzione.

AVVERTENZE AGGIUNTIVE PER LA SICUREZZA DELLA BATTERIA

AVVERTENZE

Per ridurre il rischio d'incendio, di lesioni o di danni al prodotto causati da corto circuito, non immergere mai l'utensile, la batteria ricaricabile o il carica batterie in un liquido e non lasciare mai penetrare alcun liquido all'interno dei dispositivi e delle batterie. I fluidi corrosivi o conduttori come acqua salata, alcuni agenti chimici, agenti candeggianti o prodotti contenenti agenti candeggianti potrebbero provocare un corto circuito.

TRASPORTARE BATTERIE AL LITIO

Trasportare la batteria secondo quanto indicato dalle norme e regolamentazioni locali e nazionali.

Seguire tutte le istruzioni speciali riportate sulla scatola e sull'etichetta quando si fanno trasportare batterie da eventuali terzi. Assicurarsi che le batterie non entrino in contatto con altre batterie o materiali conduttivi durante il trasporto proteggendo i connettori esposti con tappi isolanti, non conduttivi o nastro adesivo. Non trasportare batterie rotte o che perdono liquidi.

Rivolgersi alla ditta distributrice per ulteriori consigli.

DESCRIZIONE

1. Pulsante di sblocco del grilletto
2. Pulsante di bloccaggio dell'albero
3. Scala di inclinazione
4. Manopola blocco smussatura
5. Manopola blocco guida
6. Ruota di taglio
7. Base
8. Manopola di regolazione flusso
9. Tasto rilascio bottiglia dell'acqua
10. Bottiglia dell'acqua
11. Manopola blocco di profondità
12. Vano di riponimento chiave ruota
13. Gruppo batterie (non incluso)
14. Grilletto interruttore
15. Rondella ruota interna
16. Ruota
17. Rondella ruota esterna
18. Vite ruota

19. Metodo scorretto di supporto
20. Metodo corretto di supporto
21. Guida di taglio parallela
22. Impugnatura con superficie isolata antiscivolo

MONTAGGIO

COLLEGAMENTO BOTTIGLIA D'ACQUA AD ALIMENTAZIONE A GRAVITÀ

Vedere la figura 2.

La bottiglia d'acqua ad alimentazione a gravità è dotata di una ventola dell'aria integrata che equalizza la pressione e permette all'acqua di scorrere liberamente.

- Rimuovere la batteria.
- Svitare il blocco ugello.
- Riempire la bottiglia dell'acqua al livello desiderato. Non sovraccaricare.
- Sostituire il gruppo ugello.
- Reggere la bottiglia dell'acqua in modo che l'ugello sia rivolto verso il basso.

NOTE: L'acqua non fuoriuscirà dalla bottiglia a meno che la punta dell'ugello non venga premuta.

- Inserire la bottiglia dell'acqua come indicato. Premere la bottiglia delicatamente fin a che non venga inserita al suo posto.
- Per rimuovere la bottiglia dell'acqua, premere il tasto per rilasciare la bottiglia dell'acqua.

NOTE: Per tagliare a secco, lasciare la bottiglia dell'acqua installata per prevenire che polvere e macerie blocchino il sistema di ricarica acqua.

ATTENZIONE

La bottiglia dell'acqua andrà utilizzata solo per l'acqua. Utilizzare qualsiasi altro fluido potrà causare danni all'utensile.

AVVERTENZE

La capacità massima della ruota della taglierina è di 101.6 mm. Non utilizzare una ruota troppo spessa che potrà grippare la rondella della ruota esterna con il piatto dell'asse. Ruote più grandi potranno entrare in contatto con i paralame mentre ruote più spesse non permetteranno alla vite di assicurare la ruota correttamente sull'asse. In questi due casi si potranno verificare gravi incidenti e lesioni.





Italiano

⚠ AVVERTENZE

Non utilizzare ruote di taglio con una velocità senza carico inferiore a quella indicata per questo utensile. La mancata osservanza di questa norma potrà causare lesioni personali. Non utilizzare una ruota danneggiata, scheggiata o dentata.

⚠ AVVERTENZE

Non utilizzare ruote dentate o segmentate. Utilizzare solo ruote continue cerchiati con affilatura al diamante adatte per materiali edili.

INSTALLAZIONE RUOTA DI TAGLIO

Vedere la figura 3.

- Rimuovere il gruppo batterie dalla taglierina.
- Rimuovere la chiave della ruota (chiave esagonale da 5 mm) dalla zona di riponimento.
- Premere il tasto di blocco dell'asse e rimuovere la vite della ruota e la rondella della ruota esterna.

NOTE: Girare la vite della ruota in senso orario per rimuoverla.

⚠ ATTENZIONE

Per prevenire danni all'asse o al dispositivo di blocco dell'asse, lasciare sempre che il motore si fermi completamente prima di inserire il dispositivo di blocco dell'asse.

NOTE: Non far girare la taglierina con il dispositivo di blocco inserito.

- Rimuovere le gocce d'olio dalla rondella della ruota interna ed esterna dove potranno entrare in contatto con la ruota.

⚠ AVVERTENZE

Se la rondella interna della ruota viene rimossa, sostituirla prima di posizionare la ruota di taglio sull'asse. La mancata osservanza di questa norma potrà causare un incidente se la ruota non è assicurata correttamente.

- Sostituire la rondella esterna della ruota.
- Premere il tasto di blocco dell'asse, quindi sostituire la vite della ruota. Assicurare la vite della ruota girandola in senso antiorario.
- Rimettere la chiave della ruota nella zona di riponimento.

NOTE: Non utilizzare una ruota di taglio troppo spessa

per evitare che la rondella della ruota esterna rimanga grippata nelle parti piatte dell'asse.

FUNZIONAMENTO

⚠ AVVERTENZE

Indossare sempre una maschera per la polvere quando si utilizza la taglierina per piastrelle. La mancata osservanza di tale norma potrà risultare in gravi lesioni personali.

⚠ AVVERTENZE

Indossare occhiali o visiere di sicurezza con schermi laterali quando si mette in funzione questo prodotto. La mancata osservanza di questa norma, nel caso di proiezione di corpi estranei, potrebbe causare gravi lesioni.

⚠ AVVERTENZE

Non utilizzare accessori o complementi non raccomandati dalla ditta produttrice. L'impiego di componenti o accessori non raccomandati potrebbe comportare il rischio di gravi lesioni.

CARATTERISTICHE PROTEZIONE BATTERIA

Le batterie RYOBI agli ioni di litio da 18 V sono dotate di caratteristiche che proteggono le celle agli ioni di litio e ottimizzano la durata della batteria. In alcune condizioni di funzionamento, queste caratteristiche integrate influenzeranno la batteria e l'utensile e li faranno reagire in modo diverso dalle batterie al nichel cadmio.

Durante alcune applicazioni, i segnalatori elettronici della batteria potranno indicare alla batteria di spegnersi e disattiveranno l'utensile. Per resettare la batteria e l'utensile, rilasciare l'interruttore a grilletto e riattivare le normali operazioni.

NOTE: Per evitare che la batteria si blocchi, evitare di forzare l'utensile.

Se rilasciando l'interruttore a grilletto non si resetta la batteria e l'utensile, il gruppo batterie è scarico. Se scarico, il gruppo batterie inizierà a caricare una volta inserito nel caricatore agli ioni di litio.

INSTALLAZIONE DEL GRUPPO BATTERIE

Vedere la figura 4.

- Posizionare il gruppo batterie nella taglierina. Allineare la costoletta sul gruppo batterie con il solco all'interno della taglierina e far scivolare il gruppo batterie all'interno della taglierina.





Italiano

- Assicurarsi che le linguette su ciascun lato del gruppo batterie siano correttamente inserite al loro posto e che il gruppo batterie sia assicurato nella taglierina prima di iniziare le operazioni di lavoro.

⚠ AVVERTENZE

Rimuovere sempre il gruppo batterie dal prodotto quando lo si monta, si svolgono operazioni di regolazione e pulizia o quando l'utensile non è in uso. Rimuovere le batterie aiuterà a prevenire l'avviamento accidentale dell'utensile che potrà causare gravi lesioni alla persona.

REMOZIONE DEL GRUPPO BATTERIE

Vedere la figura 4.

- Individuare le linguette su ciascun lato del gruppo batterie e premerle per sganciare il gruppo batterie dalla taglierina.
- Rimuovere il gruppo batterie dalla taglierina.

RUOTE DI TAGLIO

Le migliori ruote di taglio non taglieranno effi cacemente se sono smussate o non affi late correttamente. Utilizzare una ruota non affi lata posizionerà un carico pesante sulla taglierina. Tenere ruote extra a portata di mano in modo che siano sempre disponibili.

AVVIO/ARRESTO DELLA TAGLIERINA

Vedere la figura 5.

Per avviare la taglierina:

- Premere il tasto di blocco.
- Premere l'interruttore a grilletto.

Lasciare che la ruota raggiunga la massima velocità, guidarla quindi nella parte sulla quale si deve lavorare.

Per arrestare la taglierina:

- Rilasciare l'interruttore.

Una volta rilasciato l'interruttore a grilletto attendere fi no a che la ruota non si sia fermata completamente. Non rimuovere la taglierina dalla parte sulla quale si sta lavorando mentre le ruota si muove.

PULSANTE DI SBLOCCO DEL GRILLETTO

Vedere la figura 5.

Il tasto di blocco riduce la possibilità di avviamento accidentale. Il tasto di blocco è situato sul manico sull'interruttore a grilletto. Il tasto di blocco deve essere premuto prima di attivare l'interruttore a grilletto. Il dispositivo di blocco si resetterà ogni volta che il grilletto verrà rilasciato.

NOTE: È possibile premere il tasto di blocco da sinistra o da destra.

REGOLAZIONE PROFONDITÀ DI TAGLIO

Vedere la figura 6.

Mantenere sempre una corretta profondità di taglio. La corretta profondità di taglio per tutti i tagli non deve superare i 6.35 mm al di sotto del materiale da tagliare. Una maggiore profondità di taglio aumenterà la possibilità che si verifi chino rimbalzi e provocherà dei tagli imprecisi. Per una maggiore accuratezza per la profondità di taglio, utilizzare l'indicatore di smussatura accanto alla staffa posteriore.

- Allentare la manopola di regolazione della profondità.
- Determinare la profondità di taglio desiderata.
- Individuare la profondità di taglio sulla scala nella parte posteriore della staffa.
- Reggere la base contro la parte sulla quale si sta lavorando e alzare o abbassare la taglierina fi no a quando l'indicatore sulla staffa non sia allineato con la tacca sul paralame.
- Assicurare la manopola di regolazione profondità.

FUNZIONAMENTO TAGLIERINA

Vedere la figura 7 - 8.

È importante comprendere il metodo corretto di funzionamento della taglierina. Far riferimento alle figure nella presente sezione per individuare quali siano i metodi corretti e incorretti per gestire la taglierina.

⚠ AVVERTENZE

Quando si alzerà la taglierina dalla parte sulla quale si sta lavorando, la ruota fuoriuscirà dalla parte inferiore della taglierina.

Per prestazioni ottimali:

- Reggere la taglierina con entrambe le mani.
- Non posizionare la mano sulla parte da tagliare mentre si svolgono le operazioni di taglio.
- Reggere la parte che si sta tagliando in modo che il taglio venga sempre effettuato lateralmente rispetto all'operatore.
- Reggere la parte sulla quale si sta lavorando vicino alla zona di taglio.
- Assicurarla saldamente in modo che non si sposti durante le operazioni di taglio.
- Posizionare sempre la taglierina sulla parte da tagliare, e non sulla parte che verrà "tagliata".
- Posizionare sempre la parte da tagliare con il lato "buono" rivolto verso il basso.
- Delineare la linea di taglio con una guida prima di procedere con le operazioni di taglio.





Italiano

PROCEDERE CON I TAGLI

Tracciare sempre con un pennarello o una matita a mina cerosa la linea di taglio. Se la piastrella presenta una superficie lucida difficile da marcare, posizionare del nastro adesivo sulla piastrella per tracciare la linea di taglio.

Un problema comune che si verifica quando si taglia una piastrella è seguire la linea tracciata. Se si esce dalla linea di taglio non si potrà forzare la ruota a ritornare nella linea indicata girando la mattonella. Tornare indietro e tagliare una piccola parte della piastrella mentre la ruota torna al suo posto.

Per evitare questo problema, utilizzare una guida dritta quando possibile per fare tagli incrociati e tagli ad angolo. Svolgere eventuali operazioni di taglio umido all'esterno.

UTILIZZO DELLA GUIDA BORDI

Vedere la figura 9.

Usare la guida bordi quando si esegue un taglio nervatura lungo o ampio con la sega.

1. Rimuovere il rullo batterie dall'utensile.
2. Inserire la guida bordi nelle scanalature della base della sega.
3. Regolare la guida bordi alla larghezza necessaria.
4. Serrare saldamente la vite dell'ala.

Durante l'utilizzo di una guida bordi, posizionare la superficie della guida saldamente contro il bordo del pezzo da lavorare. In tal modo si può eseguire un ottimo taglio senza scalfire la lama. Per un taglio diritto il bordo guida del pezzo da lavorare dev'essere diritto. Prestare attenzione per evitare che la lama si pieghi durante il taglio.

MANUTENZIONE

⚠ AVVERTENZE

In caso di sostituzione, utilizzare solo parti di ricambio originali RYOBI. Utilizzare parti di ricambio diverse potrebbe causare rischi o danneggiare il prodotto

Evitare di utilizzare solventi quando si puliscono le parti in plastica. La maggior parte dei materiali plastici è soggetta a danni di vario tipo da solventi commerciali e può essere danneggiata dal contatto con gli stessi. Utilizzare un panno pulito per rimuovere tracce di sporco, polvere, olio, grasso, ecc.

⚠ AVVERTENZE

Non lasciare che liquidi per freni, benzina, prodotti a base di petrolio, oli penetranti, ecc, entrino in contatto con le parti in plastica. Le sostanze chimiche potranno danneggiare, indebolire o distruggere la plastica, il che potrà risultare in gravi lesioni personali.

Non forzare l'utensile. Ciò potrà danneggiare l'utensile e il materiale sul quale si sta lavorando.

⚠ AVVERTENZE

Non tentare di modificare l'utensile o creare accessori non raccomandati per l'utilizzo con questo utensile. Tali modifiche equivalgono a un utilizzo non consentito e possono causare situazioni pericolose in grado di provocare gravi lesioni fisiche.

TUTELA DELL'AMBIENTE



Riciclare le materie prime anziché gettarle tra i rifiuti domestici. Per tutelare l'ambiente, l'apparecchio, gli accessori e gli imballaggi devono essere smaltiti separatamente.

SIMBOLI



Indicazioni sicurezza



Conformità CE



Marchio di conformità EurAsian



Marchio di conformità ucraino



Indossare occhiali di protezione



Leggere attentamente le istruzioni prima di avviare l'utensile.



Indossare occhiali, cuffie e maschere anti-polvere di protezione.



Italiano



Pietra



Marmo



Ceramica



Porcellana



I prodotti elettrici non devono essere smaltiti con i rifiuti domestici. Vi sono strutture per smaltire tali prodotti. Informarsi presso il proprio Comune o rivenditore di sicurezza per smaltire adeguatamente tali rifiuti.



Nederlands

Veiligheid, prestaties en betrouwbaarheid kregen de hoogste prioriteit in het ontwerp van uw 18 volt natte / droge tegelzaagmachine.

BEOOGD GEBRUIK

U kunt dit product gebruiken voor de volgende doeleinden:

- Nat dwars zagen, schulpen en afschuiven van handgemaakte tegels, straatstenen en natuursteenmaterialen.
- Voor droog zagen van de bovenstaande materialen is een speciaal zaagwiel nodig (niet voorzien).

Dit product aanvaardt RYOBI ONE+ 18V lithium-ion accupacks en RYOBI ONE+ 18 V nikkel-cadmium accupacks.

Voor volledige laadinstructies, verwijzen wij naar de gebruiksaanwijzing van uw RYOBI ONE Plus accu's en laders.

⚠ WAARSCHUWING

Lees alle veiligheidswaarschuwingen en instructies. Wanneer u deze en instructies niet opvolgt, kan dit leiden tot electrocutie, brand en/of ernstige letstels.

Bewaar alle waarschuwingen en instructies voor toekomstig gebruik.

VEILIGHEIDSWAARSCHUWINGEN VOOR TEGELZAAGMACHINE

- De beschermkap die bij het apparaat is geleverd, dient stevig bevestigd te worden op het apparaat en zodanig geplaatst te worden dat het een maximale veiligheid garandeert en er een minimale hoeveelheid van het blad bloot ligt naar de gebruiker. Plaats uzelf en omstanders weg van de schaar van het ronddraaiende wiel. De beschermkap helpt de gebruiker te beschermen tegen gebroken schijffragmenten en ongewild contact met de slijpschijf.
- Gebruik uitsluitend diamanten zaagbladen voor uw elektrische gereedschap. Ook al kan een accessoire wel op de machine worden gemonteerd, garandeert dit niet dat u de machine geheel veilig kunt gebruiken.
- De nominale snelheid van de accessoire moet hoger of gelijk zijn aan de maximale snelheid die op de machine is aangegeven. Als accessoires op een snelheid werken die hoger is dan hun nominale snelheid, kunnen ze breken of worden weggeslingerd.
- Slijpschijven mogen uitsluitend worden gebruikt voor de aanbevolen toepassingen. Zo is het verboden te slijpen met de rand van de slijpschijf. Afbraamschijven zijn bedoeld voor periferisch slijpen, zijdelingse krachten die op deze slijpschijven worden uitgeoefend kunnen ervoor zorgen dat deze breken.

- Gebruik altijd onbeschadigde wielflensen met de juiste diameter voor uw gekozen wiel. Degelijke wielflensen ondersteunen de slijpschijf zodanig dat de kans dat de slijpschijf breekt, kleiner wordt.
- De buitendiameter en de dikte van de accessoires moeten overeenkomen met de specificaties die zijn voorgeschreven voor de machine. Als de accessoires niet overeenkomen met de voorgeschreven specificaties, werken de beveiligings- en afstelsystemen van de machine mogelijk niet naar behoren.
- De werkgroote van de bladen en flenzen moeten goed zijn bevestigd op de as van het elektrische gereedschap. Bladen en flenzen met werkgaten die niet overeenkomen met de montagehardware van het elektrische gereedschap, zullen uit balans raken, overmatig trillen en verlies van controle veroorzaken.
- Geen beschadigde wielen gebruiken. Controleer vóór elk gebruik de bladen op hakken en scheurtjes. Indien het elektrische gereedschap of het blad is gevallen, het apparaat controleren op schade en zo nodig een intact blad bevestigen. Na controle en montage van het blad, dient u en eventuele omstanders uit de buurt te gaan staan van het draaiende blad en het elektrische gereedschap gedurende één minuut op max. onbelaste snelheid te laten draaien. Beschadigde bladen zullen normaal defect raken tijdens deze testfase.
- Draag persoonlijke beschermingsmiddelen. Afhankelijk van het gebruik dat u van uw machine maakt, dient u een veiligheidsmasker, veiligheidsbril of beschermbril te dragen. Draag al naar behoefte een stofmasker, gehoorbeschermers, handschoenen en een veiligheidsschoort om u te beschermen tegen alle eventueel rondslingerende voorwerpen (slijpsel, zaagsel, stukjes hout, enz.). Een veiligheidsbril helpt te voorkomen dat wegsplattend vuil uw ogen beschadigt. Door stofmaskers worden de deeltjes weggefilterd die ontstaan door het werk dat u aan het doen bent. Langdurige blootstelling aan intens geluid kan gehoorverlies veroorzaken.
- Houd omstanders op redelijke afstand van de werkzone en zorg dat zij een veiligheidsuitrusting dragen. Iedereen die zich binnen de werkzone moeten dragen van persoonlijke beschermingsmiddelen. Fragmenten van het werkstuk of van een gebroken blad kunnen in de rondte vliegen en letsel veroorzaken buiten het directe werkgebied.
- Houd de machine alleen vast aan geïsoleerde en slijpvrije delen als u in een oppervlak of ondergrond werkt waarin zich elektrische leidingen kunnen bevinden of als bij het uitvoeren van de werkzaamheden het netsnoer in de buurt van het werktuig zou kunnen komen. Wanneer de accessoire een spanningvoerende leiding raakt, kunnen de blootgestelde onderdelen van de machine onder spanning komen waardoor de gebruiker wordt





Nederlands

geëlektrocuteerd.

- **Leg de machine nooit neer voordat de accessoire volledig tot stilstand is gekomen.** Het draaiende blad kan vast komen te zitten in het werkoppervlak en het elektrische gereedschap uit uw grip trekken.
- **Laat de machine niet werken tijdens het transport.** De draaiende accessoire zou in uw kleding verstrikt kunnen raken en u ernstig kunnen verwonden.
- **Reinig regelmatig de ventilatieopeningen van de machine.** De ventilatie van de motor doet stof in de motorombouw binnendringen, wat een overmatige opeenhoping van metaaldeeltjes kan verwekken en elektrische schokken kan veroorzaken.
- **Gebruik de machine niet in de buurt van brandbare stoffen.** Door vervorming kunnen deze in brand worden gestoken.

TERUGSLAG EN AANVERWANTE WAARSCHUWINGEN

Een terugslag is een plotselinge reactie van een vastgeklemd of vastzittend draaiend blad. Vastklemmen of vastzitten veroorzaakt een snelle stop van het draaiende blad die ervoor zorgt dat het ongecontroleerde elektrische gereedschap met kracht in de tegenovergestelde richting van het draaiende wiel wordt getrokken.

Als bijvoorbeeld een doorslijpschijf zich vastklemt of verbogen raakt in het werkstuk, bestaat het gevaar dat de slijkant van de schijf zich diep in het oppervlak van het werkstuk drukt, waardoor de schijf plotseling uit het werkstuk kan komen. Het wiel kan zowel springen naar of uit de buurt van de exploitant, afhankelijk van de richting van de beweging van het wiel op de plaats van knijpen. Bij een terugslag kan de doorslijpschijf ook breken.

Terugslag is dus het gevolg van een verkeerd gebruik van de machine en/of van onjuiste procedures of omstandigheden.

- **Houd de machine stevig vast en plaats uw lichaam en uw armen zo dat ze een eventuele terugslag kunnen opvangen.** Als de machine is voorzien van een zijhandgreep, dient u deze altijd te benutten om optimale macht over de machine te behouden bij terugslag of reactiekoppel wanneer de machine inschakelt. Neem de nodige maatregelen om de machine in uw macht te kunnen houden ingeval van terugslag of reactiekoppel.
- **Plaats uw hand nooit in de nabijheid van de draaiende accessoire om gevaar voor ernstig lichamelijke letsel te voorkomen in geval van terugstuifen.** Accessoire kan terugslaan over je hand.
- **Uw lichaam niet in lijn brengen met het draaiende blad.** Bij een terugslag wordt de machine in de tegenovergestelde richting van de draairichting van de schijf weggeslingerd.
- **Wees bijzonder waakzaam als u werkt aan de hoeken, scherpe randen, enz.**
- **Voorkom dat de accessoire uitschiet of beklemd raakt.** Wanneer u aan hoeken of scherpe randen werkt of wanneer u de machine laat uitschieten, is het

gevaar om de accessoire te blokkeren veel groter, en om dus de macht over de machine te verliezen en een terugslag te veroorzaken.

- **Geen kettingzaag, houtzaagblad, gesegmenteerd diamanten blad met een grotere perifere opening dan 10 mm of getand zaagblad bevestigen.** Dergelijke bladen verhogen het risico voor terugslag en verlies van de macht over de machine.
- **Het blad niet "vastklemmen" of overmatige druk zetten. Probeer geen overdreven diepe insnedes te maken.** Wanneer u teveel druk op het wiel plaatst verhoogt dit de lading en gevoeligheid voor plooiën en verstrengelen van het wiel in de insnede en de mogelijkheid tot terugslag.
- **Wanneer het wiel vastraakt of wanneer een zaagsnede voor de een of andere reden wordt onderbroken, schakelt u de aan/uit-schakelaar uit en houd u het werktuig bewegingsloos tot het wiel volledig tot stilstand komt. Het blad nooit proberen te verwijderen uit de insnijding terwijl het blad nog beweegt; anders kan er een terugslag optreden.** Als de schijf zich vastklemt, moet u de oorzaak daarvan opzoeken en de nodige maatregelen nemen om te voorkomen dat het opnieuw gebeurt.
- **Herstart de zaagwerken niet in het werkstuk. Laat het wiel op topsnelheid komen en voeg de zaag voorzichtig opnieuw in de zaagsnede.** Het wiel kan vastraken, oplopen of terugslaan als het werktuig in het werkstuk wordt herstart.
- **Ondersteun panelen of grote werkstukken om het risico dat het wiel vastraakt en terugslaat te minimaliseren.** Grote werkstukken hebben de neiging om onder hun eigen gewicht door te zakken. Steunen moeten onder het werkstuk aan beide zijden van het wiel nabij de zaaglijn en de rand van het werkstuk worden geplaatst.
- **Wees extra voorzichtig wanneer u een "zakinsnede" in een bestaande muur of andere blinde plaats maakt.** Het uitstekende wiel kan gas- of waterleidingen, elektrische bekabeling of voorwerpen die een terugslag kunnen veroorzaken, doorzagen.

AANVULLENDE VEILIGHEIDSWAARSCHUWINGEN

- Wanneer de bladen niet in gebruik zijn, dienen deze opgeslagen te worden in een droge ruimte en voorzichtig gehanteerd te worden.



Nederlands

EXTRA WAARSCHUWINGEN BATTERIJVEILIGHEID

WAARSCHUWING

Voorkom brand, persoonlijk letsel of materiële schade door kortsluiting en dompel het gereedschap, de wisselaccu en het laadtoestel niet onder in vloeistoffen en waarborg dat geen vloeistoffen in de apparaten en accu's kunnen dringen. Corrosieve of geleidende vloeistoffen zoals zout water, bepaalde chemicaliën, bleekmiddelen of producten die bleekmiddelen bevatten, kunnen een kortsluiting veroorzaken.

VERVOEREN VAN LITHIUM BATTERIJEN

Vervoer de accu in overeenstemming met de plaatselijke en nationale voorzieningen en regelgevingen.

Respecteer alle speciale voorwaarden op de verpakking en etikettering wanneer u de accu's door derden laat transporteren.

Zorg ervoor dat de accu's tijdens het transport niet in contact komen met andere batterijen of geleidende materialen door blootliggende connectoren met isolerende, niet-geleidende doppen of plakband te beschermen. Geen gekraakte of lekkende accu's vervoeren. Controleer bij het doorsturende bedrijf voor verder advies.

BESCHRIJVING

1. Ontgrendelknop van de drukschakelaar
2. Asvergrendeling
3. Afschuinschaalverdeling
4. Afschuinvergrendelknop
5. Randgeleidingsvergrendelknop
6. Zaagwiel
7. Voetplaat
8. Toevoerafstellingsknop
9. Ontgrendelknop waterfles
10. Waterfles
11. Dieptevergrendelknop
12. Wielsleutelopslag
13. Accu (niet inbegrepen)
14. Aan-/uitschakelaar
15. Binnenste wielsluitring
16. Wiel
17. Buitenste wielsluitring
18. Wielschroef
19. Foutieve steunmethode
20. Juiste steunmethode
21. Parallelgeleider
22. Hendel, geïsoleerd grijppoppervlak

MONTAGE

WATERFLESDRUPPELAAR VASTMAKEN

Zie afbeelding 2.

De waterflesdruppelaar heeft een ingebouwd luchtventiel dat de druk gelijk maakt en het water vrijer laat stromen.

- Verwijder de accu.
 - Schroef het mondstuk los.
 - Vul de waterfles tot het gewenste niveau. Vul de fles niet overmatig.
 - Plaats het mondstuk terug.
 - Houd de waterfles zo dat het mondstuk naar beneden wijst.
- OPMERKING:** Het water zal niet uit de fles ontsnappen tenzij de top van het mondstuk wordt ingedrukt.
- Breng de waterfles in zoals getoond. Druk zachtjes op de fles tot deze op haar plaats klikt.
 - Om de waterfles te verwijderen, drukt u op de waterfles ontgrendelknop.

OPMERKING: Voor droog zagen, laat u de waterfles geïnstalleerd om te vermijden dat stof en afval het watertoevoersysteem verstoppen.

LET OP

De waterfles is uitsluitend ontworpen voor water. Het gebruik van enige andere vloeistof kan schade aan de machine veroorzaken.

WAARSCHUWING

Een 101,6 mm wiel is de maximum wielcapaciteit van de zaagmachine. Gebruik dus nooit een wiel dat te dik is om toe te laten dat de buitenste wielsluitring aan de strip op de as wordt gekoppeld. Grotere wielen zullen in aanraking komen met de wielbeschermkappen, terwijl dikkere wielen zullen voorkomen dat de wielschroef het wiel op de as vasthoudt. Beide situaties kunnen leiden tot ernstige ongevallen.

WAARSCHUWING

Gebruik geen zaagwielen, waarvan de nominale waarde lager ligt dan het onbelast toerental van deze machine. Wanneer u deze waarschuwing niet in acht neemt, kan dit leiden tot ernstige letsels. Gebruik geen wielen met barsten, gaten of tanden.

Nederlands

⚠ WAARSCHUWING

Gebruik geen getande of gesegmenteerde wielen. Gebruik alleen naadloze stervormige wielen die geschikt zijn voor steenwerk.

ZAAGWIEL INSTALLEREN

Zie afbeelding 3.

- Verwijder de accu uit de zaag.
- Verwijder de wielseutel (5 mm inbusseutel) uit het opbergplaats.
- Druk op de asvergrendelknop en verwijder de wielschroef en de buitenste wielsluitring.

OPMERKING: Draai de wielschroef in de richting van de wijzers van de klok om te verwijderen.

⚠ LET OP

Om schade aan de as of asvergrendeling te voorkomen, moet u de motor altijd volledig tot stilstand laten komen voor u de asvergrendelknop inschakelt.

OPMERKING: Laat de zaagmachine niet draaien terwijl de asvergrendeling ingeschakeld is.

- Veeg een oliedruppel op de binnenste wielsluitring en de buitenste wielsluitring waar zij in aanraking komen met het wiel.

⚠ WAARSCHUWING

Als de binnenste wielsluitring is verwijderd, moet u het terug plaatsen voor u het zaagwiel op de as plaatst. Wanneer u dit niet doet, kan dit een ongeval veroorzaken aangezien het wiel niet goed vast zal zitten.

- Plaats de buitenste wielsluitring terug.
- Druk de asvergrendelknop in en plaats dan de wielschroef terug. Maak de wielschroef stevig vast door deze tegen de richting van de wijzers van de klok te draaien.
- Plaats de wielseutel terug in de opbergplaats.

OPMERKING: Gebruik nooit een zaagwiel dat te dik is om toe te laten dat de buitenste wielsluitring aan de strips op de as wordt gekoppeld.

BEDIENING

⚠ WAARSCHUWING

Draag altijd een stofmasker wanneer u tegelzaagmachines gebruikt. Als u dit niet doet, kan dit leiden tot ernstig lichamelijk letsel.

⚠ WAARSCHUWING

Draag altijd een veiligheidsbril met zijdelingse bescherming wanneer u machines bedient. Er kunnen wegsplattende deeltjes in uw ogen komen en ernstig oogletsel veroorzaken als u zich hier niet aan houdt.

⚠ WAARSCHUWING

Gebruik geen accessoires of opzetstukken die niet door de fabrikant van dit product zijn aanbevolen. Bij gebruik van niet aanbevolen onderdelen of accessoires bestaat gevaar voor ernstig lichamelijk letsel.

EIGENSCHAPPEN VAN DE BATTERIJBESCHERMING

RYOBI 18 V lithium-ion accu's zijn ontworpen met eigenschappen die de lithium-ion cellen beschermen en de levensduur van de accu maximaliseren. Onder bepaalde gebruiksomstandigheden kunnen deze ingebouwde eigenschappen ertoe leiden dat de accu en het werktuig dat wordt aangedreven, zich anders gedragen in vergelijking met nikkel-cadmium accu's.

Tijdens bepaalde toepassingen is het mogelijk dat de accu-elektronica aangeeft dat de accu moet afsluiten, waardoor het werktuig stopt met werken. Om de accu en het werktuig te resetten, laat u de aan-/uithendel los en herneemt u de normale werking.

OPMERKING: Om te voorkomen dat de accu nog afsluit, mag u het gereedschap niet forceren.

Indien het loslaten van de aan-/uithendel de accu en het werktuig niet reset, is het accupack leeg. Indien leeg, zal het accupack beginnen opladen wanneer het op de lithium-ion lader wordt geplaatst.

ACCU INSTALLEREN

Zie afbeelding 4.

- Plaats de accu in de machine. Lijn de opgeheven rib op de accu af met de groef in de zaagmachine en schuif de accu dan in de zaagmachine.
- Zorg ervoor dat de knipsluitingen aan elke zijde van uw accu op hun plaats klikken en de accu veilig in de machine steekt voor u begint te werken.



Nederlands

WAARSCHUWING

Verwijder de accu altijd uit het gereedschap wanneer u onderdelen monteert, aanpassingen uitvoert, het apparaat reinigt of niet gebruikt. Wanneer u het accupack verwijdert, voorkomt dit accidenteel starten, wat ernstig letsel kan veroorzaken.

ACCU VERWIJDEREN

Zie afbeelding 4.

- Neem de knipsluitingen aan de zijkant van de accu vast en druk ze in om de accu van de zaagmachine te verwijderen.
- Verwijder de accu uit de machine.

ZAAGWIELEN

De meeste zaagwielen zullen niet efficiënt zagen als ze stomp of sterk versleten zijn. Het gebruik van een stom mes betekent een zware belasting voor de zaagmachine. Houd extra zaagwielen bij de hand zodat er altijd scherpe zaagwielen beschikbaar zijn.

MACHINE STARTEN/STOPPEN

Zie afbeelding 5.

Zaag starten:

- Druk de ontgrendelknop in.
- Druk de aan-/uitschakelaar in.

Laat het zaagwiel altijd haar volledige snelheid bereiken en plaats de zaagmachine dan in het werkstuk.

Machine stoppen:

- Laat de aan-/uitschakelaar los.

Nadat u de aan-/uitschakelaar heeft losgelaten, laat u het wiel volledig tot stilstand komen. Verwijder de machine niet uit het werkstuk terwijl het zaagwiel beweegt.

ONTGRENDELKNOP VAN DE DRUKSCHAKELAAR

Zie afbeelding 5.

De ontgrendelknop verkleint de kans op ongewild starten. De ontgrendelknop bevindt zich op de handgreep boven de aan-/uitschakelaar. De ontgrendelknop moet worden ingedrukt voor u aan de aan-/uitschakelaar trekt. Het slot reset telkens de schakelaar wordt losgelaten.

OPMERKING: U kunt de ontgrendelknop indrukken van de linker- of rechterzijde.

WIELDIEPTE AFSTELLEN

Zie afbeelding 6.

Bewaar altijd de juiste afstelling van de wioldiepte. De juiste afstelling van de wioldiepte voor alle zaagsnedes mag niet groter zijn dan 6,35 mm onder het materiaal dat wordt gezaagd. Meer wioldiepte vergroot de kans op een terugslag en kan ertoe leiden dat de zaagsnede ruw is. Voor meer diepte van de zaagnauwkeurigheid, bevindt er zich een schaal aan de achterste beugel.

- Maak de diepteafstellingsknop los.

- Bepaal de gewenste diepte van de zaagsnede.
- Plaats de diepte van de zaagschaal op de achterste beugel.
- Houd de basisstrip tegen het werkstuk en hef de zaagmachine op of laat zakken tot de indicator op de beugel in lijn ligt met de pal op de wielbeschermkap.
- Maak de diepteafstellingsknop stevig vast.

ZAAGMACHINE GEBRUIKEN

Zie afbeelding 7 - 8.

Het is belangrijk dat u de juiste methode voor het gebruik van de machine begrijpt. Wij verwijzen hierbij naar de gegevens in dit onderdeel om de juiste en foute manieren om de zaagmachine te hanteren, aan te leren.

WAARSCHUWING

Wanneer u de zaagmachine uit het werkstuk optilt, wordt het wiel aan de onderkant van de zaagmachine blootgesteld.

Om de best mogelijke zaagsnede te maken:

- Houd de machine stevig vast met beide handen.
- Voorkom dat u uw hand op het werkstuk plaatst terwijl u zaagt.
- Ondersteun het werkstuk zodat de zaagsnede zich altijd aan uw zijde bevindt.
- Ondersteun het werkstuk dichtbij de zaagsnede.
- Klem het werkstuk stevig vast zodat het niet kan bewegen tijdens het zagen.
- Plaats de zaagmachine altijd op het werkstuk dat wordt ondersteund, niet op het stuk dat wordt afgezaagd.
- Plaats het werkstuk met de "goede" zijde naar beneden.
- Teken een geleidlijn langs de gewenste zaaglijn voor u begint te zagen.

INSNEDES MAKEN

Trek altijd een zaaglijn op de tegel met behulp van een markeerstift of waspotlood. Als de tegel glanzend is en moeilijk om te markeren, plaatst u markeertape op de tegel en brengt u de markeringen op de tape aan.

Het afwijken van de gemarkeerde lijn is een vaak voorkomend probleem bij het zagen van tegels. Zodra u van de lijn bent afgeweken, kunt u het wiel niet terug in lijn forceren door de tegel te draaien. In plaats daarvan gaat u terug en zaagt u de tegel opnieuw en zaagt u daarbij een klein stukje van de tegel tot de tegel terug in lijn zit.

Om dit probleem te vermijden gebruikt u zoveel mogelijk een langseleider voor dwarssnedes en versteksnedes. Bij nat zagen is het wenselijk om dit buiten uit te voeren.

GBRUIK VAN DE RANDGELEIDING

Zie afbeelding 9.

Gebruik de randgeleiding bij het maken van lange of brede



Nederlands

schulpsneden met de zaag.

1. Verwijder het batterijpak van het toestel.
2. Plaats de randgeleiding door de openingen in de zaagbasis.
3. Stel de randgeleiding in op de gewenste breedte.
4. Draai de vleugelmoeren stevig vast.

Plaats bij gebruik van een randgeleiding het gezicht hiervan stevig tegen de rand van het werkstuk. Dit zorgt voor een ware snede zonder het blad af te knippen. De randgeleiding van het werkstuk moet voor een rechte snede recht zijn. Wees voorzichtig om te voorkomen dat het blad zich in de snede bindt.

ONDERHOUD

WAARSCHUWING

Gebruik voor vervanging uitsluitend originele RYOBI reserveonderdelen. Gebruik van niet originele onderdelen kan gevaar opleveren of schade aan de machine veroorzaken.

Vorkom het gebruik van oplosmiddelen wanneer u kunststof onderdelen reinigt. De meeste kunststoffen zijn gevoelig voor schade van verschillende types commerciële schoonmaakproducten en kunnen door hun gebruik worden beschadigd. Gebruik een schone doek om vuil, stof, olie, vet, enz. te verwijderen.

WAARSCHUWING

Remvloeistof, benzine, producten op basis van petroleum, kruipolie, enz mogen nooit in contact komen met kunststof onderdelen. Chemicaliën kunnen kunststof beschadigen, verzwakken of verwoesten, wat kan leiden tot ernstig letsel.

Gebruik elektrisch gereedschap niet op verkeerde wijze. Misbruik kan leiden tot schade aan gereedschap en werkstuk.

WAARSCHUWING

Verander niets aan de machine en gebruik geen accessoires die niet worden aanbevolen. Dergelijke wijzigingen of aanpassingen zijn misbruik en kunnen gevaarlijke situaties opleveren en mogelijk ernstig lichamelijk letsel veroorzaken.

MILIEUBESCHERMING



Zorg dat grondstoffen worden gerecycled in plaats van weggegooid als afval. Om het milieu te beschermen dient de machine, de accessoires en de verpakking gesorteerd bij een erkend recyclingcentrum te worden aangeleverd.

SYMBOLLEN



Veiligheidswaarschuwing



EG conformiteit



EurAsian-symbool van overeenstemming



Oekraïens conformiteitssymbool



Draag gezichtsbescherming



Lees de instructies zorgvuldig voordat u de machine in gebruik neemt.



Draag gezichts-, gehoor- en ademhalingsbescherming.



Steen



Marmer



Keramik



Porselein



Elektrisch afval mag niet samen met ander huishoudafval worden weggegooid. Gelieve te recycleren indien de mogelijkheid bestaat. Neem contact op met uw gemeente of handelaar om advies te krijgen over recyclage.



Português

Segurança, desempenho e fiabilidade foram as prioridades na concepção da serra para ladrilho a húmido / seco de 18 volts.

UTILIZAÇÃO PREVISTA

Deve utilizar este produto para os fins indicados a seguir:

- Corte transversal a húmido, corte ao comprimento, corte de ladrilhos sintéticos, blocos de pavimento e materiais de azulejo de pedra natural.
- Para um corte a seco dos materiais acima indicados, é necessária uma roda de corte especial (não fornecida).

Este produto é compatível com baterias de ião de lítio 18 V RYOBI ONE+ e baterias de níquel-cádmio 18 V RYOBI ONE+.

Para instruções de carregamento completas, consulte os Manuais do Utilizador para os seus modelos de bateria e carregador de bateria RYOBI ONE+.

AVISO

Leia todos os avisos de segurança e todas as instruções. O incumprimento em seguir os s e as instruções pode ter como consequências o choque eléctrico, incêndio e/ou lesões graves.

Guarde todos os avisos e instruções para futuras consultas.

AVISOS DE SEGURANÇA DA SERRA DE AZULEJOS

- A proteção fornecida com a ferramenta deve ser firmemente instalada na ferramenta elétrica e posicionada corretamente para uma segurança máxima, para que a menor quantidade de disco possível fique exposto na direção do operador. Posicione as pessoas presentes e a si próprio afastados do nível do disco em rotação. A proteção ajuda a proteger o operador de fragmentos de disco partido e de contactos acidentais com o disco.
- Use apenas discos de corte de diamante para a sua ferramenta elétrica. Mesmo se um acessório puder ser montado numa ferramenta, isso não garante que possa utilizar esta ferramenta com toda a segurança.
- A velocidade nominal do acessório deve ser igual ou superior à velocidade máxima indicada na ferramenta. Os acessórios que funcionam a uma velocidade superior à sua velocidade nominal podem quebrar e ser ejetados.
- Os discos só devem ser usados para as aplicações recomendadas. Por exemplo, não triture com a parte lateral do disco de corte. Os discos de corte são concebidos para a esmerilação periférica, sendo que as forças laterais aplicadas a esses discos podem

fazer com que estilhem.

- Utilize sempre flanges não danificadas que tenham um diâmetro correcto para o disco que escolheu. As adequadas aletas de disco suportam o disco reduzindo, assim, a possibilidade de este se partir.
- O diâmetro externo e a espessura do acessório devem corresponder às características especificadas para a ferramenta. Se os acessórios não corresponderem às características indicadas, os sistemas de protecção e de ajuste da ferramenta não poderão funcionar correctamente.
- O tamanho da haste dos discos e flanges tem que encaixar devidamente no eixo da ferramenta elétrica. Os discos e as flanges com orifícios na haste que não correspondam com o hardware de montagem da ferramenta elétrica ficam desequilibrados, vibram excessivamente e podem causar a perda de controlo.
- Não utilize discos danificados. Antes de cada utilização, inspecione os discos para detetar fendas e rachaduras. Se a ferramenta elétrica ou o disco cair, verifique se existem danos ou instale um disco não danificado. Depois de inspecionar e instalar o disco, coloque-se a si e aos que assistem afastados do plano do disco rotativo e opere a ferramenta elétrica à velocidade máxima sem carga durante um minuto. Os discos danificados irão, de modo geral, quebrar durante este período de teste.
- Usar equipamento de protecção pessoal. Conforme a utilização que faz da sua ferramenta, use uma máscara de protecção, óculos de segurança ou óculos de protecção. Conforme a utilização que faz da sua ferramenta, use uma máscara de protecção, óculos de segurança ou óculos de protecção. Se necessário, use uma máscara anti-poeira, protecções auditivas, luvas e um avental de protecção, de modo a proteger-se contra qualquer projecção de corpos estranhos (elementos abrasivos, aparas de madeira, etc.). As máscaras anti-poeira permitem filtrar as partículas criadas pela operação realizada. As máscaras anti-poeira permitem filtrar as partículas criadas pela operação realizada.
- Mantenha os visitantes a boa distância da zona de trabalho e verifique se usam equipamento de protecção. Mantenha os visitantes a boa distância da zona de trabalho e verifique se usam equipamento de protecção. Fragmentos da peça de trabalho ou de um disco partido podem ser projetados e causar lesões para fora da área imediata de operação.
- Segure a ferramenta unicamente pelas partes isoladas e anti-derrapantes quando trabalhar numa superfície que pode esconder fios eléctricos ou quando o trabalho requerido possa pôr o fio de alimentação na trajetória da ferramenta. O





Português

acessório de corte que entre em contacto com um fio "ligado" pode tornar as peças de metal da ferramenta eléctrica condutivas e tal pode causar um choque eléctrico ao operador.

- **Nunca assente a ferramenta enquanto o acessório não estiver completamente parado.** O disco giratório pode agarrar a superfície e puxar a ferramenta para fora do seu controlo.
- **Não faça funcionar a ferramenta quando a transporta.** O acessório em rotação poderia prender-se nas roupas e causar ferimentos graves.
- **Limpe regularmente as fendas de ventilação da ferramenta.** A ventilação do motor faz penetrar as poeiras no cárter do motor, o que pode ocasionar uma acumulação excessiva de partículas metálicas e provocar choques eléctricos.
- **Não utilize a sua ferramenta próximo de produtos inflamáveis.** As chispas poderiam inflamá-los.

RECUO E AVISOS ASSOCIADOS

O ressalto é uma reacção súbita a um disco rotativo enganchado ou emperrado. O emperramento ou bloqueio provoca a paragem imediata do disco rotativo que, por sua vez, faz com que a ferramenta eléctrica descontrolada seja forçada na direcção oposta da rotação do disco no ponto da ligação.

Por exemplo, se um disco abrasivo ficar entalado ou torcido na peça a trabalhar, o gume do disco pode encravar-se na superfície da peça a trabalhar, fazendo com que o disco suba ou seja projectado bruscamente. A roda pode saltar para perto ou para longe do operador, dependendo da direcção do movimento da roda no ponto de perfuração. Em caso de contra-golpe, o disco abrasivo também pode quebrar.

Pode ser evitado tendo o cuidado de respeitar certas precauções.

- **Mantenha a ferramenta bem firme e coloque o corpo e o braço de modo a poder controlar um eventual contra-golpe.** Se a ferramenta tiver uma pega auxiliar, esta deve ser sempre utilizada para ter um óptimo controlo da ferramenta em caso de contra-golpe ou binário de reacção ao pôr a ferramenta a trabalhar. Tome as disposições necessárias de modo a poder controlar a ferramenta em caso de contra-golpe ou binário de reacção.
- **Nunca ponha a mão próximo do acessório em rotação, de modo a evitar qualquer risco de ferimentos graves no caso de contra-golpe.** O acessório pode recuar mais de sua mão.
- **Não posicione o seu corpo em linha com o disco rotativo.** Em caso de contra-golpe, a ferramenta é projectada na direcção oposta ao sentido de rotação do disco.
- **Preste uma atenção particular quando trabalha em ângulos, bordos cortantes, etc.**

- **Evite fazer derrapar ou entalar o acessório.** Quando trabalhar em ângulos ou bordos cortantes ou quando fizer derrapar a ferramenta, o risco de bloquear o acessório é maior, e por isso de perder o controlo da ferramenta e provocar um contra-golpe.
- **Não anexe uma motosserra, lâmina de talha, disco de diamante segmentado com um espaço periférico superior a 10 mm ou lâmina de serra dentada.** Estas lâminas aumentam o risco de contra-golpe e de perda de controlo da ferramenta.
- **Não "encrave" o disco nem aplique pressão excessiva. Não trate de fazer uma excessiva profundidade de corte.** A sobrecarga do disco aumenta a carga e a susceptibilidade à torção ou ao entupimento do disco no corte e a possibilidade de contragolpes ou rotura do disco.
- **Quando o disco ficar preso ou quando interromper um corte por qualquer razão, desligue a ferramenta e mantenha a ferramenta sem realizar movimentos até que o disco pare completamente. Nunca tente retirar o disco do corte enquanto este se encontra em movimento, caso contrário poderá verificar-se um ressalto.** Se o disco ficar entalado, procure a causa e tome as medidas necessárias para que isso não volte a acontecer.
- **Não reinicie a operação de corte na peça a trabalhar. Permita que o disco alcance a velocidade total e volte a efectuar o corte cuidadosamente.** O disco pode prender, avançar ou recuar se a ferramenta for reiniciada na peça a trabalhar.
- **Apóie os painéis ou qualquer peça a trabalhar sobredimensionada para minimizar o risco de aperto do disco e consequente força de recuo.** As peças a trabalhar grandes têm tendência vergar sob o seu próprio peso. Os apoios devem ser colocados por baixo da peça a trabalhar perto da linha de corte e perto da borda da peça a trabalhar em ambos os lados do disco.
- **Tenha muito cuidado ao fazer um "corte de bolso" em paredes ou outras superfícies similares.** O disco saliente pode cortar tubos de gás ou água, fios eléctricos ou objectos que podem provocar uma força de recuo.

AVISOS DE SEGURANÇA ADICIONAIS

- Quando não estiver a ser utilizada, as lâminas devem ser armazenadas num local seco e manuseadas com cuidado.



Português

AVISOS DE SEGURANÇA ADICIONAIS DAS BATERIAS

AVISO

Para evitar o risco de incêndio, de feridas ou de danificação do produto causado por um curto-circuito, não imerja a bateria intercambiável ou o carregador em líquidos e assegure-se de que líquidos não penetrem nos aparelhos ou nas baterias. Líquidos corrosivos ou condutivos como água salgada, determinadas substâncias químicas ou produtos que contenham branqueadores podem causar um curto-circuito.

TRANSPORTE DE BATERIAS DE LÍCIO

Transporte a bateria em conformidade com as disposições e os regulamentos locais e nacionais.

Respeite os requisitos especiais que existam na embalagem e a etiquetagem durante o transporte de baterias por terceiros. Assegure-se que não há risco de uma bateria entrar em contacto com outra bateria nem com materiais condutores durante o transporte, protegendo os conectores expostos com tampas ou fita isoladoras e não condutoras. Não transporte baterias com fissuras ou fugas. Contacte a empresa transitária para mais aconselhamento.

DESCRIÇÃO

1. Botão de desbloqueio do gatilho
2. Botão de bloqueio do eixo
3. Escala de inclinação
4. Botão de bloqueio do bisel
5. Botão de bloqueio do guia de pontas
6. Roda de corte
7. Base
8. Botão de ajuste do fluxo
9. Tecla de libertação do reservatório de água
10. Reservatório de água
11. Botão de bloqueio da profundidade
12. Arrumação da chave da roda
13. Bateria (não incluída)
14. Interruptor selector
15. Arruela interna da roda
16. Roda
17. Arruela externa da roda
18. Parafuso da roda
19. Método incorrecto de apoio
20. Método correcto de apoio
21. Guia de corte paralelo
22. Pega, superfícies de prensão isoladas

MONTAGEM

INSTALAR O RESERVATÓRIO DE ÁGUA DE ALIMENTAÇÃO DA GRAVIDADE

Ver figura 2.

O reservatório de água de alimentação da gravidade possui uma abertura de ar que iguala a pressão e permite que a água flua mais livremente.

- Remova a bateria.
- Desaparafuse o conjunto do bocal.
- Encha o reservatório de água ao nível desejado. Não encha em demasia.
- Volte a colocar o conjunto do bocal.
- Segure o reservatório de água de modo a que o bocal fique para baixo.

NOTA: A água não sairá do reservatório a menos que a ponta do bocal seja premida.

- Introduza o reservatório de água conforme apresentado. Comprima delicadamente no reservatório até que se encaixe novamente no lugar.
- Para remover o reservatório de água, prima a tecla de libertação do reservatório de água.

NOTA: Para um corte a seco, deixar a reservatório de água instalado para impedir que a poeira e os detritos obstruam o sistema de fornecimento de água.

CAUTELA

O reservatório de água é concebido apenas para conter a água. A utilização de qualquer outro líquido pode causar danos à ferramenta.

AVISO

Uma roda de 101,6 mm é a capacidade máxima da roda da serra. Além disso, nunca utilize uma roda que seja demasiado grossa para permitir que a arruela externa da roda acople com o plano no eixo. As rodas maiores entrarão em contacto com as protecções da roda, enquanto as rodas mais grossas impedirão que o parafuso da roda fixe a roda no eixo. Qualquer uma destas situações pode conduzir a um acidente grave.

AVISO

Não utilize rodas de corte com potência inferior do que a velocidade sem carga desta ferramenta. A inobservância deste aviso pode resultar em graves ferimentos. Não utilize a roda com rachaduras, fendas ou dentes.

Português

⚠ AVISO

Não utilize rodas dentadas ou segmentadas. Utilize somente rodas com borda de diamante contínuas adequadas para materiais de alvenaria.

INSTALAR A RODA DE CORTE

Ver figura 3.

- Remova a bateria da serra.
- Remova a chave da roda (chave hexagonal de 5 mm) da área de arrumação.
- Prima o botão de bloqueio do eixo e remova o parafuso da roda e a arruela externa da roda.

NOTA: Rode o parafuso da roda no sentido dos ponteiros do relógio para o remover.

⚠ CAUTELA

Para impedir danos no eixo ou no bloqueio do eixo, deixe sempre que o motor pare totalmente antes de engatar o bloqueio do eixo.

NOTA: Não opere a serra com o bloqueio do eixo engatado.

- Limpe uma gota de óleo na arruela interna da roda e na arruela externa da roda onde entram em contacto com a roda.

⚠ AVISO

Caso a arruela interna da roda tenha sido removida, volte a instalá-la antes de colocar a roda de corte no eixo. O incumprimento desta instrução pode causar um acidente dado que a roda não ficará correctamente apertada.

- Volte a colocar a arruela externa da roda.
- Prima o botão de bloqueio do eixo e, em seguida, volte a colocar o parafuso da roda. Aperte o parafuso da roda firmemente rodando-o no sentido contrário ao dos ponteiros do relógio.
- Volte a colocar a chave da roda na área de arrumação.

NOTA: Nunca utilize uma roda que seja demasiado grossa para permitir que a arruela externa da roda acople com o plano no eixo.

OPERAÇÃO

⚠ AVISO

Utilize sempre uma máscara contra o pó ao utilizar serras de esquadria. O incumprimento desta instrução pode conduzir a lesões graves.

⚠ AVISO

Use sempre óculos de protecção ou óculos de segurança com protecções laterais quando utilizar os produtos. A falta de cumprimento desta instrução pode ocasionar a projecção de corpos estranhos para os olhos e provocar lesões oculares graves.

⚠ AVISO

Não utilize quaisquer equipamentos complementares ou acessórios não recomendados pelo fabricante deste produto. A utilização de peças ou acessórios não recomendados pode ocasionar riscos de ferimentos graves.

CARACTERÍSTICAS DE PROTECÇÃO DA BATERIA

As baterias de iões de lítio RYOBI 18 V são concebidas com características que protegem as células de iões de lítio e maximizam o tempo de vida da bateria. Sob determinadas condições de funcionamento, estas características podem fazer com que a bateria e a ferramenta que alimenta actuem de modo diferente das baterias de níquel-cádmio.

Em determinadas aplicações, os elementos electrónicos da bateria podem dar sinal à bateria para se desligar e fazer com que a ferramenta deixe de funcionar. Para reiniciar a bateria e a ferramenta liberte o interruptor e retome o normal funcionamento.

NOTA: Para evitar que a bateria volte a desligar-se, evite forçar a ferramenta.

Se a libertação do interruptor não reiniciar a bateria e a ferramenta, é porque a bateria está descarregada. Se descarregada, a bateria começará a carregar quando colocada no carregador de iões de lítio.

INSTALAR A BATERIA

Ver figura 4.

- Coloque a bateria na serra. Alinhe o friso elevado na bateria com a ranhura no interior da serra, em seguida, deslize a bateria na serra.
- Certifique-se que os trincos em cada lado do compartimento da bateria deslizam correctamente e que a bateria se encontra firme na serra antes de



Português

começar a operação.

AVISO

Retire sempre a bateria da sua ferramenta quando estiver a colocar peças, a efectuar ajustes, limpar ou quando não estiver a ser utilizado. A remoção da bateria evitará o funcionamento acidental da ferramenta que poderá provocar ferimentos graves.

RETIRAR A BATERIA

Ver figura 4.

- Localize os trincos na parte lateral da bateria e prima-os para libertar a bateria da serra.
- Remova a bateria da serra.

RODAS DE CORTE

As rodas de corte não cortarão de forma eficiente caso as mesmas se encontrem embotadas ou demasiado gastas. Utilizar uma roda embotada irá criar uma carga pesada na serra. Mantenha rodas suplementares à mão, para que as rodas afiadas se encontrem sempre disponíveis.

INICIAR/PARAR A SERRA

Ver figura 5.

Para iniciar a serra:

- Prima o botão de bloqueio.
- Prima o gatilho interruptor.

Deixe sempre a roda alcançar a velocidade total, a seguir guie a serra na peça de trabalho.

Para parar a serra:

- Liberte o gatilho interruptor.

Depois de ter libertado o gatilho interruptor, deixe que a roda pare totalmente. Não remova a serra da peça de trabalho quando a roda se mover.

BOTÃO DE DESBLOQUEIO DO GATILHO

Ver figura 5.

O botão de bloqueio reduz a possibilidade de um arranque acidental. O botão de bloqueio localiza-se na pega em cima do gatilho interruptor. O botão de bloqueio deve ser premido antes de puxar o gatilho interruptor. O bloqueio reinicia-se cada vez que o gatilho é libertado.

NOTA: Pode premir o botão de bloqueio tanto a partir do lado esquerdo como do direito.

AJUSTAR A PROFUNDIDADE DA RODA

Ver figura 6.

Mantenha sempre o ajuste de profundidade da roda correcto. O ajuste correcto da profundidade da roda para todos os cortes não deve exceder 6,35 mm abaixo do material que está a ser cortado. Mais profundidade da roda aumentará a possibilidade de ricochete e fará com que o corte seja áspero. Para mais profundidade com precisão de corte, localiza-se uma escala no suporte

traseiro.

- Solte o botão de ajuste de profundidade.
- Determine a profundidade de corte desejada.
- Localize a profundidade da escala de corte no suporte traseiro.
- Mantenha a base lisa contra a peça de trabalho e levante ou baixe a serra até que a marca indicadora no suporte se alinhe com o entalhe na protecção da roda.
- Aperte o botão de ajuste da profundidade firmemente.

UTILIZAR A SERRA

Ver figura 7 - 8.

É importante compreender o método correcto para utilizar a serra. Consulte as figuras nesta secção para aprender as formas correctas e incorrectas de segurar a serra.

AVISO

Ao levantar a serra da peça de trabalho, a roda fica exposta na parte inferior da serra.

Para efectuar o melhor corte possível:

- Segure a serra firmemente com ambas as mãos.
- Evite colocar a sua mão na peça de trabalho ao realizar um corte.
- Apoie a peça de trabalho de modo que o corte (kerf) seja sempre para o seu lado.
- Apoie a peça de trabalho perto do corte.
- Aperte a peça de trabalho firmemente de modo que a peça de trabalho não se mova durante o corte.
- Coloque sempre a serra na peça de trabalho que se encontra apoiada, não sobre a parte "eliminada".
- Coloque a peça de trabalho com o lado "bom" para baixo.
- Desenhe uma linha orientadora ao longo da linha de corte desejada antes de começar o seu corte.

REALIZAÇÃO DE CORTES

Desenhe sempre a linha a ser cortada no ladrilho utilizando um marcador ou lápis de graxa. Caso o ladrilho seja brilhante e difícil de marcar, coloque fita adesiva sobre o ladrilho e faça a marcação sobre a fita.

Um problema comum ao cortar o ladrilho consiste em afastar-se da linha marcada. Uma vez que se tenha afastado da marca, não pode forçar a roda a voltar à linha rodando o ladrilho. Em vez disso, recue e volte a cortar o ladrilho recortando uma pequena quantidade do ladrilho até que a roda se encontra de novo na linha certa.

Para evitar este problema, utilize uma guia de borda recta sempre que possível para realizar cortes transversais e cortes de esquadria. Caso pretenda um corte a húmido, este deve ser realizado ao ar livre.





Português

UTILIZAR A GUIA DE REBORDO

Ver figura 9.

Use a guia de rebordo quando fizer cortes longos ou largos ao longo do grão com a serra.

1. Retire a bateria da ferramenta.
2. Aplique a guia de rebordo nas ranhuras da base da serra.
3. Ajuste a guia de rebordo à largura necessária.
4. Dê aperto à porca de orelhas com firmeza.

Quando usar a guia de rebordo, posicione a face da guia de rebordo com firmeza de encontro ao rebordo da peça de trabalho. Isto permite fazer um corte fiel sem prender a lâmina. O rebordo de guia da peça de trabalho tem obrigatoriamente de estar a direito, para que o seu corte possa ser feito a direito. Tenha cuidado para evitar que a lâmina fique agarrada dentro do corte.

MANUTENÇÃO

⚠ AVISO

Utilize unicamente peças sobresselentes RYOBI de origem quando fizer substituições. O uso de quaisquer outras peças pode criar perigo ou causar danos ao aparelho.

Evite usar solventes ao limpar as peças de plástico. A maioria dos plásticos são susceptíveis a danos de vários tipos de solvente comerciais e podem ser danificados pela sua utilização. Use panos limpos para remover a sujidade, a poeira, o óleo, a gordura, etc.

⚠ AVISO

Nunca, em qualquer momento, deixe que fluidos de travagem, gasolina, produtos petrolíferos, óleos de perfuração, etc., entrem em contacto com as peças de plástico. Estes produtos químicos contêm substâncias que podem danificar, deteriorar ou destruir o plástico, o que poderia provocar ferimentos graves.

Não force as ferramentas eléctricas. As práticas abusivas podem danificar a ferramenta bem como a peça de trabalho.

⚠ AVISO

Não tente modificar esta ferramenta ou criar acessórios não recomendados para utilizar com esta ferramenta. Quaisquer destas alterações ou modificações representam um uso indevido e pode resultar em condições perigosas ocasionando eventuais ferimentos graves pessoais.

PROTECÇÃO DO AMBIENTE



Recicle os materiais em vez de pô-los directamente no lixo doméstico. Para proteger o ambiente, a ferramenta, os acessórios e as embalagens devem ser seleccionados.

SÍMBOLOS



Alerta de segurança



Conformidade CE



Marca de conformidade EurAsian



Marca de conformidade ucraniana



Use protecção para os olhos



Agradecemos que leia atentamente as instruções antes de iniciar a máquina.



Use protecção para os olhos, ouvidos e nariz.



Pedra



Mármore



Cerâmica



Porcelana



Os aparelhos eléctricos antigos não devem ser eliminados juntamente com o lixo doméstico. Recicle onde existem instalações para o efeito. Verifique com as suas Autoridades Locais ou revendedor para obter informações sobre reciclagem.



Dansk

Sikkerhed, ydelse og driftssikkerhed har fået topprioritet i designet af 18V-saven til våd/tør fliseskæring.

TILTÆNKET ANVENDELSESFORMÅL

Man kan bruge dette produkt til nedenstående anvendelsesformål:

- Våd tværskæring, længdeskæring og smigskæring af menneskeskabte fliser, stenplader og naturlige stenflisematerialer.
- Til tørskæring af ovennævnte materialer kræves et specielt skærehjul (medfølger ikke).

Til dette produkt skal bruges batterier af typen RYOBI ONE+ 18 V lithium-ion og RYOBI ONE+ 18 V nikkel-cadmium.

For vejledning til fuldstændig opladning henvises til betjeningsvejledningen til RYOBI ONE+ batteriet og opladermodellen.

▲ ADVARSEL

Alle sikkerhedsadvarsler og alle anvisninger skal læses. Hvis advarslen og instruktionerne ikke følges, kan det medføre elektrisk stød og/eller alvorlig personskade.

Gem alle advarsler og brugsanvisninger til senere brug.

SIKKERHEDSADVARSLER VEDR. FLISESAV

- **Skærmen, der følger med værktøjet, skal fastgøres ordentligt til elværktøjet og positioneres for maksimal sikkerhed, således at så lille en del af skiven er blottet for operatøren. Sørg for, at hverken du selv eller evt. tilskuere befinder sig i det roterende hjuls skæreplan.** Skærmen hjælper til at beskytte operatøren mod afknækkede hjulsegmenter og utilsigtet kontakt med hjulet.
- **Brug kun diamant-skæreskive sammen med elværktøjet.** Selv om en tilbehørsdel kan monteres på et værktøj, er der ingen garanti for, at det er forsvarligt at bruge værktøjet.
- **Tilbehørets mærkehastighed skal være lig med eller højere end maksimalhastigheden anført på værktøjet.** Hvis tilbehøret anvendes med en hastighed, der er højere end dets mærkehastighed, kan det knække og rive sig løs.
- **Hjul må kun bruges til de anbefalede anvendelsesformål.** Man må fx ikke slibe med siden af skærehjulet. Abrasive skærehjul er beregnet til periferislibning; hjulene kan begynde at ryste, hvis de udsættes for sidekræfter.
- **Brug altid uskadede hjulflanger med korrekt**

diameter i forhold til det valgte hjul. Ordentlige hjulflanger understøtter hjulet og reducerer dermed faren for, at hjulet knækker.

- **Tilbehørets udvendige diameter og tykkelse skal svare til det for værktøjet specificerede.** Hvis tilbehøret ikke svarer til de anførte specifikationer, virker værktøjets sikkerheds- og indstillingsystemer måske ikke efter hensigten.
- **Skivernes akselhuller og flanger skal passe perfekt til elværktøjets spindel.** Skiver og flanger med akselhuller, som ikke passer til elværktøjets monteringsudstyr, vil rotere ubalanceret, vibrere kraftigt og kan bevirke, at operatøren mister kontrollen.
- **Undlad at bruge beskadigede skiver.** Inden brug skal man inspicere skiverne for hak og revner. Hvis man taber elværktøjet, skal man inspicere det for skader eller montere en intakt skive. Når man har inspiceret og monteret skiven, skal man anbringe sig selv og andre personer i god afstand til den roterende skives plan og køre elværktøjet med maksimal tomgangshastighed i ét minut. Beskadigede skiver vil normalt gå itu under denne testperiode.
- **Bær personlige værnemidler. Brug beskyttelsesmaske, sikkerheds- eller høreværn, handsker og beskyttelsesforklæde som sikring mod løsevne fremmedlegemer (slibeelementer, spåner m.v.).** Med beskyttelsesbriller undgår man øjenskader på grund af udslyngede stumper. Støvmasken filtrerer partikler dannet under arbejdet. Hvis man udsættes for kraftigt støj i længere tid, kan hørelsen tage skade.
- **Sørg for at holde tilskuere i god afstand fra arbejdsstedet, og for at få dem til at bruge beskyttelsesudstyr.** Alle kommer ind i arbejdsområdet skal bære personlige værnemidler. Emnefragmenter eller en knækket skive kan blive slynget bort og forårsage personskader, også uden for arbejdsområdet.
- **Hold udelukkende værktøjet de isolerede gribesteder ved arbejde på flader, hvor der kan ligge el-ledninger skjult, eller når den strømførende ledning kan komme til at befinde sig i værktøjets arbejdsfelt.** Hvis der skæres i en strømførende ledning, kan det gøre udsatte metaldele af maskinværktøjet strømførende og give operatøren elektrisk stød.
- **Læg ikke værktøjet ned, før tilbehøret står helt stille.** Den roterende skive kan få fat i overfladen og trække elværktøjet ud af operatørens kontrol.
- **Lad ikke værktøjet arbejde, mens det flyttes eller bæres.** Det roterende tilbehør kan hænge fast i tøj og forårsage alvorlige skader.



Dansk

- **Rens værktøjets ventilationsåbninger med jævne mellemrum.** Motorens ventilation bevirker, at der trænger støv ind i motorkassen, og at der derfor ophobes for mange metalpartikler, som kan forårsage elektrisk stød.
- **Anvend ikke værktøjet i nærheden af brændbare stoffer.** De kan blive antændt af gnister.

TILBAGESLAG ('KICKBACK') OG TILHØRENDE ADVARSLER

Tilbageslag ('kickback') er en pludselig reaktion på en fastklemt eller fastsiddende roterende skive. Fastklemning eller blokering forårsager hurtigt stop af den roterende skive, som igen bevirker, at det ukontrollerede elværktøj tvinges i modsat retning i forhold til hjulets rotation ved fastsidningspunktet.

Hvis fx. en slibeskive kommer i klemme eller vrider sig i emnet, kan skivens kant trænge ned i emnets overflade, hvorefter skiven pludselig springer ud af emnet, så værktøjet bliver slynget mod brugeren. Hjulet kan enten hoppe mod eller væk fra operatøren, afhængigt af retning af hjulets bevægelse på det sted, klemmer. Ved tilbageslag kan slibeskiven tilmed knække.

Tilbageslag skyldes altså, at værktøjet bruges forkert, og/eller at fremgangsmåden eller driftsforholdene er uhensigtsmæssige. Det kan undgås, hvis der tages nogle forholdsregler.

- **Grib godt fat om værktøjet, og hold kroppen og armen i en stilling, hvor et eventuelt tilbageslag kan kontrolleres.** Hvis værktøjet har et hjælpehåndtag, skal det altid bruges for at kunne styre værktøjet optimalt, hvis der opstår tilbageslag eller et reaktionsmoment, når værktøjet sættes i gang. Tag de nødvendige forholdsregler for at kunne styre værktøjet, hvis der opstår tilbageslag eller et reaktionsmoment ved start.
- **Anbring aldrig hånden i nærheden af det roterende tilbehør for ikke at komme alvorligt til skade i tilfælde af tilbageslag.** Tilbehør kan tilbageslag over din hånd.
- **Undgå at anbringe kroppen på linje med ved det roterende hjul.** Hvis der opstår tilbageslag, bliver værktøjet kastet modsat skivens omdrejningsretning.
- **Vær særlig opmærksom ved bearbejdning af hjørner, skarpe kanter o.l.**
- **Undgå, at tilbehøret skrider eller bliver klemt fast.** Ved bearbejdning af hjørner eller skarpe kanter eller hvis værktøjet kommer til at skrیده, er der større risiko for, at tilbehøret sætter sig fast og altså for at miste kontrollen over værktøjet, så der opstår tilbageslag.
- **Undgå at montere en savkæde, træskæreklinge, segmenteret diamantskive med en periferafstand større end 10 mm eller tandet savklinge.** Den slags klinger øger risikoen for tilbageslag og for at miste kontrollen over værktøjet.

- **Undgå at "blokere" skiven eller anvende overdrevent pres. Forsøg ikke at udføre overdrevent dybe snit.** Overbelastning af hjulet øger belastningen og tilbøjeligheden til vrid eller blokering af hjulet samt tilbageslag ("kickback") eller hjulbrud.
- **Når hjulet binder, eller hvis man af en eller anden grund er nødt til at afbryde et snit, skal man slukke elværktøjet og holde det stille, indtil hjulet er fuldstændigt stoppet. Forsøg aldrig at tage skiven ud af snittet, mens denne roterer; der er fare for tilbageslag ('kickback').** Hvis skiven sætter sig fast, skal årsagen søges og de nødvendige forholdsregler tages for at undgå, at det sker igen.
- **Genstart ikke skæreoperationen i emnet. Vent, til hjulet har tophastighed, og sæt det da forsigtigt ind i snittet igen.** Hjulet kan binde, kravle op eller slå tilbage, hvis elværktøjet genstartes, mens hjulet sidder i emnet.
- **Understøt paneler og andre større emne for at minimere faren for, at hjulet binder eller slår tilbage.** Store emner har tendens til at synke ned under egenvægten. Understøtninger skal anbringes under emnet nær skærelinjen og nær emnekanten på begge sider af hjulet.
- **Man skal være ekstra forsigtig under fremstilling af "lommesnit" i eksisterende vægge eller andre blinde områder.** Det udragende hjul kan skære i gas- eller vandør, elledninger eller genstande, som kan forårsage tilbageslag ('kickback').

EKSTRA SIKKERHEDSADVARSLER

- Når klingerne ikke anvendes, skal de opbevares tørt og håndteres forsigtigt.

YDERLIGERE SIKKERHEDSADVARSLER OM BATTERI

▲ ADVARSEL

For at undgå risiko for brand, kvæstelser eller beskadigelse af produktet forårsaget af kortslutning må værktøjet, batteripakken eller opladeren ikke nedsænkes i vand. Sørg ligeledes for, at der ikke trænger væske ind i enhederne og batterierne. Korroderende eller ledende væsker, f.eks. saltvand, bestemte kemikalier, blegestoffer eller produkter, som indeholder blegestoffer, kan forårsage kortslutning.

TRANSPORT AF LITHIUM-BATTERIER

Batteriet skal transporteres i henhold til lokale og nationale forskrifter og love.

Når batterier skal transporteres af tredjepart, skal alle





Dansk

specielle krav til emballering og mærkning efterleves. Man skal sikre sig, at ingen batterier kan komme i kontakt med andre batterier eller ledende materialer under transporten ved at beskytte blottede konnektorer med isolerende, ikke-ledende hætter eller tape. Undlad at transportere batterier med revner eller utætheder. Rådfør dig desuden hos spediteøren.

BESKRIVELSE

1. Start-stopknappens oplåsningsknap
2. Aksellåseknap
3. Hældningsskala
4. Smigllåseknap
5. Kantstyr-låseknap
6. Skærehjul
7. Bundplade
8. Flowjusteringsknap
9. Vandflaske-udløseknap
10. Vandflaske
11. Dybdelåseknap
12. Opbevaringsrum til hjulnøgle
13. Batteri (medfølger ikke)
14. Kontaktudløser
15. Indvendig hjulspændeskive
16. Hjul
17. Udvendig hjulspændeskive
18. Hjulskruer
19. Forkert understøttelsesmetode
20. Korrekt understøttelsesmetode
21. Parallelsavestyr
22. Håndtag, isoleret gribeblade

MONTERING

MONTERING AF GRAVITY FEED-VANDFLASKE

Se figur 2.

Gravity feed-vandflasken har en indbygget luftventil, der udligner trykket og gør det muligt for vandet at løbe mere frit.

- Fjern batteriet.
 - Skru dysemodulet af.
 - Fyld vandflasken op til det ønskede niveau. Flasken må ikke overfyldes.
 - Montér atter dysemodulet.
 - Hold vandflasken, så dysen vender nedad.
- BEMÆRK:** Vandet kan først løbe ud af flasken, når dysespidsen trykkes ind.
- Indsæt vandflasken som vist. Pres flasken forsigtigt ned, til den går i indgreb.
 - Man fjerner vandflasken ved at trykke på dens udløseknap.

BEMÆRK: Ved tørskæring lader man vandflasken sidde, så der ikke kommer støv og affald ind i vandtilførselssystemet med tilstopning til følge.

▲ VÆR OPMÆRKSOML

Vandflasken er kun beregnet til vand. Brug af andre væsker kan ødelægge værktøjet.

▲ ADVARSEL

Et hjul på 101,6 mm er savens maksimale hjulkapacitet. Desuden må der aldrig bruges et hjul, der er så tykt, at den udvendige hjulspændeskive ikke kan gå i indgreb med den flade del af spindlen. Større hjul vil røre ved hjulskærmene, mens tykkere hjul vil forhindre, at hjulskruen kan låse hjulet ordentligt fast til spindlen. Begge disse situationer kan medføre alvorlige ulykker.

▲ ADVARSEL

Der må ikke bruges skærehjul med lavere normering end dette værktøj s tomgangshastighed. Manglende iagttagelse af denne advarsel kan medføre personskader. Der må ikke bruges hjul med revner, huller eller tænder.

▲ ADVARSEL

Der må ikke bruges tandhjul eller segmenthjul. Der må kun bruges diamant-hjul med kontinuerlig kant beregnet til murværk.

INSTALLATION AF SKÆREHJUL

Se figur 3.

- Fjern batteriet fra saven.
- Fjern hjulnøglen (5 mm unbrakonøgle) fra opbevaringsrummet.
- Pres spindellåseknappen ind, og fjern hjulskruen og den udvendige hjulspændeskive.

BEMÆRK: Hjulskruen fjernes ved at dreje den med uret.

▲ VÆR OPMÆRKSOML

For at undgå at ødelægge spindlen eller spindellåsen skal man altid sikre sig, at motoren er helt stoppet, inden spindellåsen aktiveres.

BEMÆRK: Saven må ikke startes med aktiveret spindellås.

- Gnid en dråbe olie på den indvendige og den udvendige hjulspændeskive på det sted, hvor skiven er i kontakt med hjulet.



Dansk

⚠ ADVARSEL

Hvis man har fjernet den indvendige hjulspændeskive, skal den monteres igen, inden skærehjulet sættes på spindlen. Gør man ikke det, er der fare for ulykker, da hjulet ellers ikke kan spændes ordentligt fast.

- Montér atter den udvendige hjulspændeskive.
- Pres spindellåseknappen ind, og sæt hjulskruen på igen. Spænd hjulskruen ordentligt til ved at dreje den imod uret.
- Læg hjulnøglen tilbage i opbevaringsrummet.

BEMÆRK: Der må aldrig bruges et hjul, der er så tykt, at den udvendige hjulspændeskive ikke kan gå i indgreb med den flade del af spindlen.

BETJENING

⚠ ADVARSEL

Der skal altid bæres støvmaske under arbejde med flisesave. Gør man ikke det, er der fare for alvorlige personskader.

⚠ ADVARSEL

Der skal altid bæres sikkerhedsbriller med sideskjolde under betjening af produkterne. Hvis denne regel ikke overholdes, kan man få slynget fremmedlegemer i øjnene og komme alvorligt til skade.

⚠ ADVARSEL

Der må ikke bruges tilbehør eller ekstraudstyr, som ikke anbefales af producenten af dette produkt. Hvis der anvendes ikke-anbefalede dele eller tilbehør, kan man komme alvorligt til skade.

BESKYTTELSE AF BATTERIET

RYOBI's 18 V lithium-ion-batterier har egenskaber, som beskytter lithium-ion-cellerne og maksimerer batteriets levetid. Under visse driftsbetingelser kan disse indbyggede egenskaber bevirke, at batteriet (og det heraf drevne værktøj) opfører sig anderledes end nikkell-cadmium-batterier.

Under visse anvendelser kan batterielektronikken sende signal til batteriet om at lukke ned og få værktøjet til at holde op med at køre. Man nulstiller (resetter) batteriet og værktøjet ved at slippe udløseknappen og genoptage normal drift.

BEMÆRK: Man forhindrer yderligere nedlukning af batteriet ved at undlade at tvinge værktøjet.

Hvis batteriet og værktøjet ikke nulstilles ved, at man slipper udløseknappen, betyder det, at batteriet er afladet. Et afladet batteri påbegynder opladning, så snart det anbringes i lithium-ion-opladeren.

INDSÆTTELSE AF BATTERIET

Se figur 4.

- Indsæt batteriet i saven. Sørg for, at kilen på batteriet går ind i kilesporet i saven.
- Inden værktøjet tages i brug, skal man sikre sig, at låsemekanismen på begge sider af batteriet er i indgreb, så batteriet sidder ordentligt fast.

⚠ ADVARSEL

Fjern altid batterienheden fra værktøjet, når du samler dele, foretager justeringer, rengør det eller, når det ikke bruges. Ved at fjerne batteriet undgås utilsigtet start, som kan medføre alvorlig personskade.

UDTAGNING AF BATTERIET

Se figur 4.

- Find låsemekanismen på siden af batteriet, og pres dem ind, så batteriet løsnes fra saven.
- Fjern batteriet fra saven.

SKÆREHJUL

Selv de bedste skærehjul kan ikke skære effektivt, hvis de er uskarpe eller meget slidte. Brug af uskarpe hjul vil belaste saven kraftigt. Sørg for at have ekstra hjul på lager, så man altid har skarpe hjul ved hånden.

START/STOP AF SAVEN

Se figur 5.

Sådan startes saven:

- Tryk låseknappen ind.
- Tryk udløsekontakten ind.

Vent, til hjulet kører med fuld hastighed, inden saven sættes an mod emnet.

Sådan stoppes saven:

- Slip udløsekontakten.

Når man har sluppet udløsekontakten, skal man vente, til hjulet er fuldstændigt stoppet. Man må ikke fjerne saven fra emnet, så længe hjulet kører.

START-STOPKNAPPENS OPLÅSNINGSKNAP

Se figur 5.

Låseknappen reducerer risikoen for, at saven startes utilsigtet. Låseknappen findes på håndtaget oven over udløsekontakten. Låseknappen skal trykkes ind, inden man aktiverer udløsekontakten. Låsen genaktiveres, hver gang udløseren slippes.

BEMÆRK: Låseknappen kan trykkes ind fra enten venstre eller højre side.

Dansk

INDSTILLING AF HJULDYBDE

Se figur 6.

Sørg altid for, at hjuldybden er indstillet korrekt. Med korrekt indstillet hjuldybde for alle snit bør hjulet ikke rage mere end 6,35 mm ned under emnematerialet under skæring. Større hjuldybde vil øge risikoen for tilbageslag og give et ujævnt snit. På bagbeslaget findes en skala, med hvilken skæredybden kan indstilles mere præcist.

- Løsn dybdeindstillingsknoppen.
- Indstil den ønskede skæredybde.
- Find skæredybde-skalaen på bagbeslaget.
- Hold sålen plant mod emnet, og løft eller sænk saven, indtil indikatormærket på beslaget flugter med hakket i hjulskærmen.
- Spænd dybdeindstillingsknoppen godt til.

BETJENING AF SAVEN

Se figur 7 - 8.

Det er vigtigt, at man forstår savens korrekte betjeningsmetode. Se figurene i dette afsnit for at lære de rigtige og forkerte måder til håndtering af saven.

⚠ ADVARSEL

Når man løfter saven op fra emnet, blottes hjulet på savens underside.

Sådan udføres det bedst mulige snit:

- Hold godt fast i saven med begge hænder.
- Undgå at anbringe hånden på emnet under skæringen.
- Understøt emnet, så snittet (savefugen) altid er ved siden af dig.
- Understøt emnet i nærheden af snittet.
- Spænd emnet godt fast, så det ikke kan bevæge sig under skæringen.
- Anbring altid saven på den understøttede emnedel - ikke på den del, der skal skæres af.
- Anbring emnet med den „gode“ side nedad.
- I den skæring påbegyndes, tegnes en føringslinje langs den ønskede skærelinje.

FREMSTILLING AF SNIT

Tegn altid den linje, der skal skæres efter på flisen, med en tuschpen eller farveblyant. Hvis flisen er blank og svær at tegne på, anbringer man et stykke afdækningstape på flisen og tegner på tapen.

Et typisk problem under fliseskæring er, at savefugen kommer bort fra den optegnede linje. Er man først kommet bort fra den optegnede linje, er det ikke muligt at tvinge hjulet tilbage til linjen ved at dreje flisen. I stedet trækker man saven baglæns og skærer flisen igen (så der afskives en lille smule flise), indtil hjulet er tilbage på sporet.

Man kan undgå dette problem ved så vidt muligt at bruge et retskinne-anslag, når der udføres tvær- og geringsnit. Hvis man ønsker vådskæring, bør dette ske udendørs.

BRUG AF GERINGSANSLAG

Se figur 9.

Brug geringsanslaget ved lange eller brede længdeskæringer med saven.

1. Fjern batterienheden fra redskabet.
2. Anbring geringsanslaget gennem spalterne i savrammen.
3. Juster geringsanslaget til den ønskede bredde.
4. Stram vingeskruen grundigt.

Når geringsanslaget anvendes, skal det anbringes med fronten helt ind til arbejdsstykkets kant. Dette giver en korrekt skæring uden at klingens klemmes. Arbejdsstykkets styrekant skal være lige for at din skæring kan blive lige. Vær forsigtig for at forhindre, at klingens sidder fast i skæringen.

VEDLIGEHOLDELSE

⚠ ADVARSEL

I forbindelse med servicearbejde må der kun bruges identiske RYOBI-dele. Brug af alternative dele kan forårsage farlige situationer eller ødelægge produktet.

Undgå brug af opløsningsmidler til rengøring af plastdele. De fleste plastdele tåler ikke forskellige typer kommercielle opløsningsmidler og risikerer at blive ødelagt af disse. Fjern snavs, støv, olie, smørefedt osv. med en ren klud.

⚠ ADVARSEL

Sørg for, at bremsevæske, benzin, petroleumsbaserede produkter, penetreringsolie, mv., aldrig kommer i kontakt med plastdele. Disse kemiske produkter indeholder stoffer, som kan beskadige, mørne eller ødelægge plastmaterialet, så man risikerer at komme alvorligt til skade.

Misbrug ikke elværktøjer. Sådanne handlinger kan beskadige produktet såvel som arbejdsemnet.

⚠ ADVARSEL

Forsøg ikke at foretage ændringer på dette værktøj eller at fremstille tilbehør, som ikke anbefales til brug med dette værktøj. Enhver sådan ændring er misbrug og kan medføre farlige situationer med mulig alvorlig personskade til følge.

Dansk

MILJØBESKYTTELSE



Råmaterialerne skal genbruges og ikke bortskaffes som almindeligt affald. Af hensyn til miljøet skal redskab, tilbehør og emballage sorteres.

SYMBOLER



Sikkerhedsadvarsel



CE-overensstemmelse



EurAsian overensstemmelsesmærke



Ukrainsk overensstemmelsesmærke



Benyt øjenværn



Læs venligst vejledningen grundigt igennem før maskinen tages i brug.



Benyt øjen-, høre- og åndedrætsværn



Sten



Marmor



Keramik



Porcelæn



Elektriske affaldsprodukter bør ikke afskaffes sammen med husholdningsaffald. Genbrug venligst hvor faciliteterne tillader dette. Tjek med din lokale kommune eller forhandler for genbrugsråd.



Svenska

Säkerhet, prestanda och pålitlighet har varit högsta prioritet vid design av din 18 V våt/torr kakelskärare.

ANVÄNDNINGSOMRÅDE

Du får använda produkten i följande syften:

- Våtkapning, klyvning och vinkelkapning av kakel, sten och naturliga stenplattor.
- En speciell skärklinga krävs för torrkapning av ovanstående material (ingår ej).

Denna produkt kan användas med ett RYOBI ONE+ 18V litiumjonbatteripaket eller ett RYOBI ONE+ 18V nickelkadmiumbatteripaket.

Se användarmanualen till ditt RYOBI ONE+-batteripack och din laddare för fullständiga återuppladdningsinstruktioner.

⚠ VARNING

Läs alla säkerhetsvarningar och anvisningar. Att inte följa en och instruktionerna kan resultera i elstöt, brand och/eller allvarlig skada.

Behåll dessa varningar och anvisningar för framtida referens.

SÄKERHETSFORESKRIFTER FÖR KAKELSÄG

- Det medföljande skyddet måste fästas på verktyget och placeras för bästa säkerhet så att minsta möjliga del av sågklingan exponeras mot användaren. Positionera dig själv och se till att andra personer placerar sig så att ni inte står i den roterande skivans plan. Skyddet hindrar oavsiktlig kontakt med skivan och skyddar användaren från splitter från en trasig skiva.
- Använd enbart diamantslipade klingor för elverktyget. Även om ett tillbehör kan monteras på ett verktyg är detta ingen garanti för att du kan använda verktyget helt tryggt.
- Tillbehörets nominella hastighet ska vara lika med eller högre än den maximala hastighet som anges på verktyget. Tillbehör som fungerar i en hastighet som är högre än deras nominella hastighet kan brytas av och slungas ut.
- Skivorna får endast användas till de aktiviteter som de är avsedda för. Exempel: använd inte sidorna på en kapskiva för att slipa. Abrasiva kapskivor är avsedda för slipning med skivans periferi; om skivorna utsätts för sidokrafter kan de spricka.
- Använd alltid oskadade hjulflansar som är av korrekt diameter för den skiva som ska användas. Korrekta skivflansar stärker skivan och minskar risken att den går sönder.

- Tillbehörets ytterdiameter och tjocklek bör motsvara de karakteristika som getts för verktyget. Om tillbehören inte motsvarar givna karakteristika, kan det hända att verktygets skyddssystem och inställning inte fungerar normalt.
- Storlek på klinga och flansar måste passa perfekt på elverktygets spindel. Klinga och flansar med hål som inte stämmer med monteringsverktyget för elverktyget kommer att bli obalanserade, vibrera alltför mycket och kan göra att användaren tappar kontrollen.
- Använd inte skadade klingor. Kontrollera klingan för eventuella hack eller sprickor inför varje användning. Om elverktyget eller klingan tappas, kontrollera för skador eller installera en ny klinga. Efter kontroll och installation av klingan ska du placera dig och eventuella åskådare utanför den roterande klingans plan och köra verktyget på max hastighet utan belastning under en minut. Skadade klingor går oftast sönder under denna testperiod.
- Använd personlig skyddsutrustning. Beroende på vad du använder verktyget till bör du använda en skyddsmask, säkerhetsglasögon eller skyddsglasögon. Använd även vid behov en skyddsmask mot damm, hörselskydd, handskar och skyddsförkläde för att skydda dig mot utslungade främmande föremål (slipdelar, träspån, osv.). Skyddsglasögon hindrar att utslungat avfall skadar ögonen. Skyddsmasken mot damm filterar partiklarna som alstras av det arbete du utför. Långvarig exponering för kraftigt ljud kan leda till hörselnörlust.
- Håll besökare på ett lämpligt avstånd från arbetsområdet och se till att de använder en skyddsutrustning. Den som kommer in i arbetsområdet måste bära personlig skyddsutrustning. Delar av arbetsstycke eller trasig klinga kan fara iväg och orsaka skada även utanför det närliggande arbetsområdet.
- Håll i verktyget endast i de isolerade och halksäkra delarna då du arbetar på en yta som kan dölja elektriska ledningar eller då arbetet är sådant att nätsladden kan placeras i verktygets bana. Vid kontakt med en strömförande kabel kan de exponerade delarna på verktyget bli strömförande och ge användaren en elektrisk stöt.
- Lagg aldrig ned verktyget innan tillbehöret stannat helt. Den roterande klingan kan ta tag i ytor och dra loss verktyget från dig så du tappar kontrollen.
- Ha inte verktyget i gång medan du transporterar det. Det roterande tillbehöret skulle kunna fastna i kläderna och skada dig allvarigt.
- Rengör regelbundet verktygets ventilationsöppningar. Motorventilationen gör att damm tränger in i motorhuset, vilket kan försaka en extrem anhopning av metallpartiklar och framkalla



Svenska

elektriska stötar.

- **Använd inte verktyget i närheten av lättantändliga produkter.** Gnistor kan antända dem.

ÅTERKAST OCH RELATERADE VARNINGAR

Kickback är en plötslig reaktion på en klämd eller satt roterande klinga. Klämning eller sättning ger snabbt stopp av den roterande klingan vilket ger att elverktyget inte kan kontrolleras och verktyget slungas iväg i den motsatta riktningen mot klingans rotation.

Om till exempel en slipskiva kläms ihop eller vrids inne i arbetsstycket, kan eggen på skivan tryckas in i arbetsstyckets yta, vilket gör att skivan snabbt går ut ur arbetsstycket och slungas mot användaren. Hjulet kan antingen hoppa mot eller bort från operatören, beroende på riktning av hjulet rörelse på platsen för klämskador. I händelse av återslag kan slipskivan även brytas av.

Det kan undvikas genom att vidta några försiktighetsåtgärder.

- **Håll stadigt i verktyget och placera kroppen och armen så att du kan kontrollera ett eventuellt återslag. Om verktyget har ett hjälphandtag, håll alltid i det för att kunna kontrollera verktyget optimalt i händelse av återslag eller reaktionsmoment vid start av verktyget.** Vidta nödvändiga åtgärder för att kunna kontrollera verktyget i händelse av återslag eller reaktionsmoment.
- **Ha aldrig handen i närheten av det roterande tillbehöret för att undvika risker för allvarliga kroppsskador vid återslag.** Tillbehör kan kast över din hand.
- **Ha aldrig kroppen i linje med den roterande klingan.** Vid återslag slungas verktyget i motsatt riktning jämfört med skivans rotation.
- **Var speciellt på din vakt då du arbetar i hörn, på vassa kanter, osv.**
- **Låt inte tillbehöret slira eller kilas fast.** Då du arbetar i hörn eller på vassa kanter eller då verktyget slirar är risken större att tillbehöret blockeras, att du förlorar kontrollen över verktyget och att ett återslag uppstår.
- **Använd inte sågklinga, träblad, segmenterade diamantklingor med yttre mellanrum större än 10 mm och inte heller tandade sågblad.** Dyliga skivor eller klingor ökar risken för återslag och för att man förlorar kontrollen över verktyget.
- **Kör inte fast klingan eller "belasta" den för hårt. Försök inte att göra ett för djupt skär.** Överbelastning av skivan ökar påfrestningarna, och risken att skivan böjs eller fastnar i skåret ökar samtidigt som det finns risk för återkast och att skivan går sönder.
- **När klingan nypas fast eller när du avbryter kapningen av någon anledning ska du slå av elverktyget och hålla det helt still tills skivan har**

stannat helt. Försök aldrig ta bort klingan från skåret medan klingan är i rörelse såvida inte en kickback sker. Om skivan kilas fast, ta reda på orsaken och vidta nödvändiga åtgärder för att detta inte upprepas.

- **Starta inte maskinen igen medan skivan sitter i arbetsstycket. Låt skivan komma upp i maximal hastighet och för sedan försiktigt in skivan i kapsparet igen.** Skivan kan nypas fast, klättra uppåt eller slungas bakåt med en våldsam kraft om elverktyget startas om medan skivan sitter i arbetsstycket.
- **Använd stöd på undersidan av paneler eller extremt stora arbetsstycken för att minska risken att skivan nyper fast och att maskinen kastas mot dig.** Stora arbetsstycken tenderar att bägna av sin egen vikt. Placera stöd, till exempel bockar, på båda sidor av arbetsstycket; placera dem nära sågspåret och nära arbetsstyckets kanter.
- **Var extra försiktig när du gör "instickssågningar" i befintliga väggar eller andra dolda områden.** En utstickande skiva kan kapa av gas- eller vattenledningar, elledningar eller föremål som kan orsaka ett våldsamt kast.

YTTERLIGARE SÄKERHETSFORESKRIFTER

- När bladen inte används ska de förvaras torrt och hanteras varsamt.

YTTERLIGARE SÄKERHETSVARNINGAR FÖR BATTERIER

⚠ VARNING

För att undvika den fara för brand, personskador eller produktskador som orsakas av en kortslutning, doppa inte ner verktyget, utbytesbatteriet eller laddaren i vätskor och se till att ingen vätska kan tränga in i apparaterna eller batterierna. Korroderande eller ledande vätskor, som saltvatten, vissa kemikalier, blekningsmedel eller produkter som innehåller blekmedel, kan orsaka en kortslutning.

TRANSPORTERA LITIUMBATTERIER.

Transportera batteriet enligt lokala och nationella lagar och regleringar.

Följ alla specifika krav på förpackning och etiketter när batteri transporteras av tredje part. Se till att batteriet inte kommer i kontakt med andra batterier eller ledande material genom att skydda exponerade kontakter med isolerande, icke ledande skydd eller tejp. Transportera inte batterier som är spruckna eller läcker. Kontrollera

Svenska

med vidarebefordrande företag för mer information.

BESKRIVNING

1. Knapp för upplåsning av gasreglaget
2. Låsknapp för axeln
3. Lutningsskala
4. Låsvred för fasvinkel
5. Låsvred för kantmarkör
6. Skärklinga
7. Bottenplatta
8. Justeringsvred för vattenflöde
9. Knapp för att lossa vattenbehållaren
10. Vattenbehållare
11. Låsvred för djupinställning
12. Förvaringsplats för klingnyckeln
13. Batteripack (inte inkluderat)
14. Avtryckare
15. Inre bricka för skärklinga
16. Hjul
17. Yttre bricka för skärklinga
18. Skruv för skärklinga
19. Felaktigt stöd
20. Korrekt stöd
21. Parallellanslag
22. Handtag, isolerad greppyta

HOPSÄTTNING

MONTERA DEN GRAVITATIONSDRIVNA VATTENBEHÅLLAREN

Se bild 2.

Den gravitationsdrivna vattenbehållaren har en inbyggd luftventil som utjämnar trycket i behållaren och låter vattnet rinna lättare.

- Ta bort batteriet.
- Skruva loss munstycket.
- Fyll på vattenbehållaren till önskad nivå. Överfyll inte.
- Sätt tillbaka munstycket.
- Håll vattenbehållaren så att munstycket är riktat nedåt.
NOTERA: Inget vatten kommer att rinna ur behållaren om inte spetsen på munstycket trycks in.
- Sätt i vattenbehållaren enligt figur. Tryck försiktigt ned behållaren tills den klickar fast.
- Tryck på knappen för att släppa upp vattenbehållaren om du vill ta bort den.

NOTERA: Låt vattenbehållaren sitta på plats även vid torrkapning för att förhindra att damm och skräp sätter igen vattensystemet.

⚠ FÖRSIKTIGHET

Vattenbehållaren är endast avsedd för vatten. Om du använder andra vätskor i den kan du skada maskinen.

⚠ VARNING

Kapen kan använda klingor med en maxstorlek på 101,6 mm. Använd aldrig en för tjock klinga. Den yttre brickan för klingan måste få kontakt med den platta delen på spindeln. Större klingor kommer i kontakt med skydden och tjockare klingor gör det omöjligt för skruven att ordentligt fästa klingan på spindeln. Båda dessa situationer kan resultera i en allvarlig olycka.

⚠ VARNING

Använd aldrig klingor som inte klarar av den hastighet som anges för den här maskinen när den körs utan belastning. Om du inte följer den här varningen kan resultatet bli allvarlig personskada. Använd inte klingor med sprickor, hål eller tänder.

⚠ VARNING

Använd inte tandade eller segmenterade klingor. Använd endast helbelagda diamantringor avsedda för murbruk.

MONTERA SKÄRKLINGAN

Se bild 3.

- Ta bort batteripacket från kapen.
- Ta bort nyckeln till klingan (5 mm sexkantsnyckel) från förvaringsutrymmet.
- Tryck in spindellåsknappen och ta bort skruven till klingan och den yttre brickan till klingan.

NOTERA: Vrid skruven för klingan medsols för att ta bort.

⚠ FÖRSIKTIGHET

För att undvika att skada spindeln och spindellåset ska motorn alltid stanna helt innan du trycker in spindellåset.

NOTERA: Kör inte kapen med spindellåset intryckt.

- Smeta ut en droppe olja på den inre och yttre brickan där de kommer i kontakt med klingan.



Svenska

⚠ VARNING

Sätt tillbaka den inre brickan, om den har tagits bort, innan du sätter på skärklingan på spindeln. Om du inte gör det kan det orsaka en olycka eftersom klingan inte dras åt ordentligt.

- Sätt tillbaka den yttre brickan.
- Släpp upp spindellåsknappen och sätt tillbaka skruven för klingan. Dra åt skruven ordentligt genom att vrida den motsols.
- Sätt tillbaka nyckeln till klingan i förvaringsområdet.

NOTERA: Använd aldrig en för tjock klinga. Den yttre brickan för klingan måste få kontakt med den platta delen på spindeln.

ANVÄNDNING

⚠ VARNING

Använd alltid en ansiktsmask när du använder en kakekap. Om du inte gör det kan det resultera i allvarlig skada.

⚠ VARNING

Använd alltid skyddsglasögon, eller skyddsglas med sidovisir, när du använder produkten. Underlåtenhet att följa denna föreskrift kan leda till att främmande partiklar slungas mot ögonen och framkallar allvarliga ögonskador.

⚠ VARNING

Använd inga tillbehör till den här produkten som inte rekommenderas av tillverkaren. Användning av icke rekommenderade delar eller tillbehör kan medföra risker för allvarliga skador.

BATTERISKYDDSFUNKTIONER

RYOBI 18 V litiumjonbatterier är utrustade med en funktion som skyddar litiumjoncellerna och maximerar batterilivstiden. Under vissa användningssituationer kan dessa inbyggda funktioner få batteriet, och verktyget, att bete sig annorlunda än vid användning av nickelkadmiumbatterier.

I vissa fall kan batteriets elektronik signalera till batteriet att stänga av vilket får verktyget att stanna. Släpp upp avtryckaren och återgå till normal användning för att nollställa batteriet och verktyget.

NOTERA: För att undvika ytterligare avstängningar av

batteriet ska verktyget inte pressas.

Om inte batteriet och verktyget nollställs genom att släppa upp avtryckaren så är batteripaketet urladdat. Om batteripaket är urladdat kommer det att påbörja återuppladdning när det placeras i litiumjonbatteriladdaren.

SÄTT DIT BATTERIPAKETET

Se bild 4.

- Placera batteripaketet i kapen. Rikta in de upphöjda delarna på batteripaketet med motsvarande nedsänkningar i kapen och skjut in batteripaketet.
- Kontrollera att hakarna på varje sida på batteripaketet knäpper fast och att batteripaketet sitter ordentligt i kapen innan du påbörjar arbetet.

⚠ VARNING

Ta alltid bort batteripaketet från ditt verktyg när du monterar delar, utför justeringar, rengör eller när verktyget inte används. Genom att ta bort batteripaketet minskar du risken för att oavsiktligt starta maskinen och orsaka skador.

TA BORT BATTERIPAKETET

Se bild 4.

- Hitta hakarna på batteripackets sidor och tryck in dem för att lossa batteripaketet från kapen.
- Ta bort batteripaketet från kapen.

SKÄRKLINGOR

Även den bästa skärklingan skär dåligt om den är slö eller väldigt nedsliten. Om du använder en väldigt nedsliten klinga ökar du belastningen på kapen. Ha alltid extra klingor hemma så att du när som helst kan byta till en ny och välslipad klinga.

STARTA/STOPPA KAPEN

Se bild 5.

Starta kapen:

- Tryck in låsknappen.
- Tryck in avtryckaren.

Låt alltid klingan nå maximal hastighet innan du styr ner kapen i arbetsstycket.

Stoppa kapen:

- Släpp upp avtryckaren.

Låt klingan stanna helt efter att du har släppt avtryckaren. Ta inte bort sågen från arbetsstycket innan klingan har stannat helt.

KNAPP FÖR UPPLÄSNING AV GASREGLAGET

Se bild 5.

Låsknappen minskar risken för oavsiktliga starter. Knappen är placerad på handtaget ovanför avtryckaren.





Svenska

Låsknappen måste tryckas in innan du kan trycka in avtryckaren. Låset nollställs varje gång du släpper avtryckaren.

NOTERA: Du kan trycka in låsknappen från både höger och vänster.

JUSTERA DJUPET PÅ KLINGAN

Se bild 6.

Använd alltid rätt djupinställning på klingan. För korrekt inställning vid all kapning ska klingan inte sticka ut mer än 6,35 mm under arbetsstycket. Ett för stort djup ökar risken för återkast och grova kappspår. En mätsticka är placerad på det bakre fästet för att hjälpa dig att ställa in djupet mer exakt.

- Lossa justeringsvredet för djupet.
- Avgör vilket djup du önskar.
- Lokalisera mätstickan på det bakre fästet.
- Håll plattan plant mot arbetsstycket och höj eller sänk kapen tills indikatormärket på fästet hamnar i linjemed hacken på skärklingan.
- Dra åt justeringsvredet ordentligt.

ANVÄNDA KAPEN

Se bild 7 - 8.

Det är viktigt att du förstår hur kapen ska användas på rätt sätt. Titta på figurerna i det här avsnittet för att lära dig mer om korrekt och inkorrekt hantering av kapen.

⚠ VARNING

När du lyfter upp kapen från arbetsstycket är den nedre delen av klingan exponerad.

För att göra den bästa möjliga kapningen:

- Håll i kapen ordentligt med båda händerna.
- Undvik att lägga din hand på arbetsstycket när du kapar.
- Stöd arbetsstycket så att kappspåret alltid är på någon sida av dig.
- Stöd arbetsstycket i närheten av kappspåret.
- Sätt fast arbetsstycket ordentligt så att det inte flyttar sig under kapningen.
- Placera alltid kapen på den delen av arbetsstycket som har stöd och inte den delen som ska kapas bort.
- Lägg arbetsstycket med den "bra sidan" nedåt.
- Rita en hjälplinje längst med det önskade kappspåret innan du påbörjar kapningen.

GÖR SNITT

Dra alltid snittlinjen på kakelplattan med en markör eller vaxpenna. Placera maskeringstejp, och markera på tejp, om kakelplattan är blank och svår att rita på.

Vid sågning i kakel är det vanligt att glida ut från den markerade såglinjen. Om du kommer ifrån din markerade linje kan du inte tvinga tillbaka skärklingan genom att vrida kapen. Dra istället tillbaka kapen en bit och kapa av en liten kakelbit så att klingan kommer på rätt spår igen.

Använd alltid ett hjälpmedel för raka kanter, om det är möjligt, när du kapar och gör geringsnitt. Om vätkapning ska utföras bör det ske utomhus.

ANVÄNDA KANTSTYRNINGEN

Se bild 9.

Använd kantstyrningen när du kapar långt eller brett med sågen.

1. Ta bort batteripacket från verktyget.
2. Placera kantstyrningen i spåren på sågbasen.
3. Ställ in kantstyrningen på den bredd som krävs.
4. Dra åt vingskruven ordentligt.

När du använder en kantstyrning, placera kantstyrningens yta stadigt mot arbetsstyckets kant. Då får du en ren sågning utan att bladet kläms. Den kant på arbetsstyckets som styr sågningen måste vara rak för att du ska få ett rakt skårspår. Var försiktig för att hindra att bladet fastnar i skårspåret.

UNDERHÅLL

⚠ VARNING

Vid service ska endast originaldelar från RYOBI användas. Användning av andra delar kan orsaka fara eller produktskada.

Undvik att använda lösningsmedel vid rengöring av plastdelar. De flesta plaster är känsliga för skador vid användning av olika typer av kommersiella lösningsmedel och kan skadas om du använder sådana. Använd en ren och torr trasa för att ta bort smuts, damm, olja, fett, osv.

⚠ VARNING

Låt aldrig bromsvätska, bensin, petroleumbaserade produkter, penetrerande oljor och liknande komma i kontakt med plastdelar. Dessa kemiska produkter innehåller ämnen som kan skada, försvaga eller förstöra plasten, vilket kunde försäkra allvarliga kroppsskador.

Misshandla inte verktyget. Felaktig användning kan skada verktyget och arbetsstycket.



Svenska

⚠ VARNING

Försök inte att modifiera detta verktyg eller skapa tillbehör till det som inte är rekommenderade. Alla sådana förändringar eller modifikationer anses vara felanvändning och kan resultera i en farlig situation som kan leda till allvarlig personskada.

MILJÖSKYDD



Råmaterialen ska återvinnas i stället för att kastas i hushållsavfallet. För att skona miljön ska verktyget, tillbehören och emballagen sorteras.

SYMBOLER



Säkerhetsvarning



CE-överensstämmelse



EurAsian överensstämmelsesymbol



Ukrainskt märke för överensstämmelse



Använd skyddsglasögon



Läs instruktionerna ordentligt innan start av maskinen.



Använd ögon-, hörsel- och andningsskydd.



Sten



Marmor



Keramik



Porslin



Gamla elektroniska produkter ska inte kastas med hushållssoporna. Återvinn där sådana faciliteter finns. Kontrollera med din lokala myndighet eller säljaren för att få återvinningstips.



Suomi

18 voltin märän/kuivan tiilisahan suunnittelussa on pidetty etusijalla turvallisuutta, suorituskykyä ja luotettavuutta.

KÄYTTÖTARKOITUS

Tätä tuotetta saa käyttää alla lueteltuihin tarkoituksiin:

- Märkä tiilien, pinnoitteiden ja luonnonkivestä valmistettujen tiilien kuitujen poikkisahaus, kuituja pitkin sahaus ja viistosahaus.
- Yllä mainittujen materiaalien kuivasahaus; vaatii erityisen leikkuuterän (ei mukana).

Tämä tuote toimii RYOBI ONE+ 18 V litium-ioniakkujen ja RYOBI ONE+ 18 nikkeli-kadmium-akkujen kanssa.

Täydet latausohjeet on RYOBI ONE+ -akun ja -laturin käyttöohjeissa.

VAROITUS

Lue kaikki turvallisuusvaroitukset ja ohjeet. ten ja ohjeiden laiminlyönnistä voi seurata sähköisku, tulipalo ja/tai vakava loukkaantuminen.

Säästä kaikki varoitukset ja ohjeet tulevaa käyttöä varten.

TIILISAHAN TURVALLISUUSVAROITUKSET

- Laitteen mukana tulleen suojan on oltava tukevasti kiinnitetty sähkötyökaluun ja sijoitettu siten, että se tekee laitteesta mahdollisimman turvallisen ja että käyttäjän puolella on mahdollisimman vähän paljasta laikkaa. Sijoita itsesi ja sivulliset pois pyörivän laikan linjalta. Suoja suojelee käyttäjää irronneilta laikan osasilta ja estävät häntä koskettamatta laikkaa vahingossa.
- Käytä sähkötyökalussa ainoastaan timanttisia katkaisulaikkoja. Vaikka lisälisävarusteen voi mahdollisesti asentaa työkaluun, tämä ei takaa, että työkalua voi käyttää täysin turvallisesti.
- Lisävarusteen nimellinopeuden on oltava sama tai korkeampi kuin lisävarusteelle mainittu maksiminopeus. Yli nimellinopeudella käytetyt lisävarusteet saattavat rikkoutua ja joutuvat hylätyiksi.
- Laikkoja saa käyttää ainoastaan niille tarkoitettuun käyttötarkoitukseen. Älä esimerkiksi hio katkaisulaikan sivulla. Katkaisulaikat on tarkoitettu käytettäväksi siten, että hionta suoritetaan niiden ulkokehällä; niihin kohdistuvat sivuttaisrasitukset voisivat murtaa ne.
- Käytä aina eheitä laippoja, jotka vastaavat valitsemasi laikan läpimittaa. Asianmukaiset laipat tukevat laikkaa ja pienentävät siten mahdollisuutta, että laikka rikkoutuu.

- Lisävarusteen ulkohalkaisijan ja paksuuden on vastattava työkalun ilmoitettuja ominaisuuksia. Ellei lisävarusteiden ominaisuudet vastaa annettuja ominaisuuksia, työkalun suoja- ja säätöjärjestelmä elleivät voi toimia oikein.
- Laikan ja laippojen tuurnakoon on istuttava asianmukaisesti sähkötyökalun karassa. Laikat ja laipat, joiden tuurnareiat eivät vastaa sähkötyökalun kiinnityksiä, joutuvat epätasapainoon, tärisevät liikaa ja voivat riistää laitteen hallinnasta.
- Älä käytä vioittuneita laikkoja. Tarkista laikat lohkeamien ja halkeamien varalta ennen jokaista käyttökertaa. Jos sähkölaite tai laikka putoaa, tarkista se vaurioiden varalta tai asenna vahingoittumaton laikka. Kun olet tarkistanut ja asentanut laikan, asetu itse ja ohjaa sivulliset pois pyörivän laikan reitiltä ja käytä sähkötyökalua suurimmalla kuormattomalla nopeudella minuutin ajan. Vioittuneet laikat pirstoutuvat tavallisesti tänä aikana.
- Käytä henkilökohtaisia suojavarusteita. Sen mukaan, mihin käytät työkalua, pidä suojanaamaria, turva- tai suojalaseja. Pidä tarvittaessa pölynsuojanaamaria, kuulosuojaimia, suojakäsineitä ja suojaesiliinaa kaikkia ulkoisten kappaleiden sinkoamista vastaan (hankaavat kappaleet, puun lastut jne.). Suojalasit estävät lentäviä jätetalasia vahingoittamasta silmiä. Pölynsuojanaamareilla voidaan suodattaa käytetyssä työssä syntyneet hiukkaset. Pitkäaikaisesta altistuksesta kovalle melulle saattaa aiheutua kuulon huononeminen.
- Pidä vieraat hyvin loitolla työalueesta ja huolehdi, että heillä on suojalisävarusteet. Jokaisella, joka tulee työalueelle on käytettävä henkilökohtaisia suojavarusteita. Työkappaleen tai rikkoutuneen laikan kappaleita saattaa singota ulospäin ja aiheuttaa vammoja välittömän työalueen ulkopuolella.
- Pidä työkalusta kiinni vain eristetyistä luistamattomista osista työskennellessäsi pinnalla, joka saattaa kätkeä sähköjohtoja tai milloin vaadittu työ edellyttää mahdollisesti sähköjohdon asettamista työkalun liikeradalle. Jos leikkuri koskettaa sähköistettyä johtoa, työkalun metalliosat voivat sähköistyä ja aiheuttaa käyttäjälle sähköiskun.
- Älä laske työkalua koskaan kädestäsi ennen kuin lisävaruste on kokonaan pysähtynyt. Pyörivä laikka saattaa tarttua pintaan ja vetää sähkötyökalun pois hallinnasta.
- Älä käynnistä työkalua sitä kuljetettaessa. Pyörivä lisävaruste saattaa takertua vaatteisiisi ja aiheuttaa vakavan vamman.
- Puhdista säännöllisesti työkalun puhallinaukot. Moottorin puhallin imee pölyä moottorin kuoren





Suomi

sisään, mistä saattaa johtua metallihiukkasten liiallinen kertyminen aiheuttaen sähköiskuja.

- **Älä käytä laitteita syytävien aineiden läheisyydessä.** Kipinät saattavat syyttää ne.

TAKAPOTKU JA SIIHEN LIITTYVÄT VAROITUKSET

Laikan puristuksiin jääminen tai juuttuminen voi aiheuttaa takapotkun. Laikan puristuksiin jääminen tai juuttuminen pysäyttää pyörivän laikan nopeasti, mikä pakottaa poissa hallinnasta olevan sähkötyökalun vastakkaiseen suuntaan kuin laikan pyörimissuunta juuttumiskohtaan nähden.

Esimerkiksi, jos hiomalaikka jumiuuu tai puristuu kiinni työkalupäähän, se laikan reunan kohta, joka koskettaa jumittumiskohtaa, voi kaivautua materiaalin pintaan, jolloin laikka kiipeää ulos tai ponnahtaa käyttäjää kohten. Pyörän voi joko hypätä kohti tai pois päin käyttäjältä riippuen suunnasta pyörän liikkeen paikassa puristimilla. Hiomalaikka saattaa myös haljeta pomppauksen seurauksena.

Sen voi välttää erällä varotoimenpiteillä:

- **Pidä tukevasti kiinni työkalusta ja pidä vartalosi ja käsivarret niin, että voit hallita mahdollisen pomppauksen.** Jos työkalussa on lisäkahva, pidä aina siitä kiinni parhaan hallinnan saamiseksi pomppauksen sattuessa tai työkalun käynnistyksessä syntyvälle reaktioväntömomentille. Suorita tarvittavat toimenpiteet voidaksesi hallita työkalun pomppauksen tai käynnistysreaktion sattuessa.
- **Älä vie koskaan kättä pyörivän lisävarusteen lähelle vakavien vammojen välttämiseksi pomppauksen sattuessa.** Lisälaite voidaan takapotkun aikana kätesi.
- **Älä asetu samaan linjaan pyörivän laikan kanssa.** Työkalu sinkoa pomppauksessa laikan pyörimissuunnan vastaiseen suuntaan.
- **Ole erikoisen valpas työstäessäsi särmiä, teräviä reunoja jne.**
- **Vältä lisävarusteen luisumista tai jumittumista.** Kun työskentelet särmillä tai terävillä reunoilla tai jos työkalu pääsee luiskahtamaan, on sen jumittumisvaara suurempi. Tällöin saatat menettää työkalun hallinnan ja aiheuttaa pomppauksen.
- **Älä liitä laitteeseen sahaketjuja, puunmuokkausterää, hammastettua timanttilaikkaa jossa hammasrako on suurempi kuin 10 mm tai hammastettua sahanterää.** Sellaisilla terillä on suurempi pomppausvaara ja työkalun hallinnan menetys.
- **Älä "jumita" laikkaa tai käytä liiallista painetta.** Älä yritä leikata liian syvälle. Laikan ylikuormitus kasvattaa kuormaa ja mahdollisuutta, että laikka taittuu tai jumittuu leikkuu-uraan ja potkaisee takaisin tai rikkoutuu.

- **Jos laikka takertuu tai kun keskeytät leikkaamisen mistään syystä, sammuta sähkötyökalu ja pitele sitä paikoillaan, kunnes laikka pysähtyy.** Älä koskaan yritä nostaa laikkaa leikkuu-urasta laikan pyöriessä; muutoin laite voi potkaista takaisin. Älä yritä koskaan irrottaa laikkaa sen pyöriessä, se saattaa aiheuttaa pomppauksen.
- **Älä aloita leikkausta laikan koskettaessa työkalupäätä.** Anna laikan saavuttaa täysi nopeus ja aseta laikka takaisin leikkuu-uraan varovasti. Laikka saattaa jumittua, kulkea ylöspäin tai potkaista takaisin, jos sähkötyökalu käynnistetään laikan ollessa kosketuksissa työkalupäähän.
- **Tue paneelit ja muut suuret työkalupäleet siten, että minimoit juuttumisen ja takapotkun vaaran.** Suuret työkalupäleet ovat taipuvaisia painumaan oman painonsa ansiosta. Tuet tulee asettaa työkalupäleen alle, lähelle leikkulinjaa, ja lähelle työkalupäleen reunoja, laikan molemmille puolille.
- **Ole erittäin varovainen tehdessäsi olemassa oleviin seinämiin tai muihin sokeisiin kohtiin niiden keskeltä alkavaa leikkausta.** Ulos työntyvä laikka voi leikata kaasu- tai vesiputkia, sähköjohtoja tai kappaleita, jotka voivat aiheuttaa takapotkun.

MUITA TURVALLISUUSVAROITUKSIA

- Kun terät eivät ole käytössä, niitä on säilytettävä kuivassa paikassa ja käsiteltävä varoen.

LISÄÄ AKUN TURVALLISUUSVAROITUKSIA

VAROITUS

Jotta vältetään lyhytsulun aiheuttama tulipalon, loukkaantumisen tai tuotteen vahingoittumisen vaara, älä koskaan upota työkalua, vaihtoakkuja tai latauslaitetta nesteeseen ja huolehdi siitä, ettei mitään nesteitä pääse tunkeutumaan laitteiden tai akkujen sisään. Syövyttävät tai sähköä johtavat nesteet, kuten suolavesi, tietyt kemikaalit ja lalkaisuaineet tai valkaisuaineita sisältävät tuotteet voivat aiheuttaa lyhytsulun.

LITUMAKKUJEN KULJETTAMINEN

Kuljeta akkuja paikallisten ja kansallisten ehtojen ja säädösten mukaisesti.

Noudata kaikkia pakkaamista ja nimeämistä koskevia erikoissäädöksiä, kun kolmas osapuoli kuljettaa akkuja. Varmista, että mikään akku ei kosketa muita akkuja tai johtavaa materiaalia kuljetuksen aikana suojaamalla paljaat navat eristävillä, johtamattomilla korkeilla tai teipillä. Älä kuljeta akkuja, jotka ovat halkeilleet tai





Suomi

vuotavat. Kysy välitysyriykseltä lisäneuvoja.

KUVAUS

1. Liipaisimen lukinnan vapautusnappi
2. Akselin lukintanappi
3. Kaltevuusasteikko
4. Kaltevuuden lukitusnappi
5. Reunaohjaimen lukitusnappi
6. Leikkuuterä
7. Pohja
8. Virtauksen säätönappi
9. Vesipullon vapautuspainike
10. Vesipullo
11. Syvyyden lukitusnappi
12. Leikkuuterän avaimen säilytystila
13. Akku (ei kuulu pakettiin)
14. Liipaisin
15. Leikkuuterän sisäpriikka
16. Pyörä
17. Leikkuuterän ulkopriikka
18. Leikkuuterän ruuvi
19. Virheellisesti tuettu
20. Oikein tuettu
21. Reunaohjain
22. Kahva, eristetty tartuntapinta

KOKOAMINEN

OMAPAINOISELLA SYÖTÖLLÄ TOIMIVAN VESIPULLON ASENTAMINEN

Katso kuvaa 2.

Omapainoisella syötöllä toimivassa vesipullossa on ilmaventtiili, joka tasaa paineen ja sallii veden virtaavan vapaammin.

- Irrota akku laitteesta.
 - Ruuvaa suutinkokoonpano irti.
 - Täytä pullo halutulle tasolle. Älä ylitäytä.
 - Asenna suutinkokoonpano paikoilleen.
 - Pitele vesipulloa suutin alaspäin.
- HUOM:** Pullosta ei vuoda vettä, ellei suuttimen kärkeä paineta.
- Aseta vesipullo kuvan osoittamalla tavalla. Paina pullo varoen alas siten, että se loksauttaa paikoilleen.
 - Voit irrottaa vesipullon painamalla sen vapautuspainiketta.

HUOM: Pidä kuivaleikkuussakin vesipullo asennettuna, jotta pöly tai lika ei pääse tukkimaan esikanavia.

VAROITUS

Vesipullossa saa käyttää vain vettä. Muiden nesteiden käyttö saattaa vioittaa laitetta.

VAROITUS

Sahassa saa käyttää enintään 101,6 mm terää. Älä myöskään käytä terää, joka on niin paksu, että terän ulkopriikka ei pääse koskettamaan karan tasapintaa. Tätä suuremmat terät koskettavat teräsuojusta ja paksummat terät estävät terän ruuvia kiinnittämästä terää karaan. Kummassakin tapauksessa seuraus voi olla vakava onnettomuus.

VAROITUS

Älä käytä leikkuuterää, jonka luokitus on vähemmän kuin laitteen kuormaton nopeus. Muutoin seurauksena voi olla vakava loukkaantuminen. Älä käytä teriä, joissa on halkeamia, lovia tai hampaita.

VAROITUS

Älä käytä teriä, joissa on hampaat tai joka on jaettu segmentteihin. Käytä ainoastaan tiilien leikkaamiseen sopivia jatkuvareunuuksisia timanttiteriä.

LEIKKUUTERÄN ASENTAMINEN

Katso kuvaa 3.

- Irrota akku sahasta.
- Ota terän avain (5 mm kuusioavain) säilytystilasta.
- Paina karan lukituspainiketta ja irrota terän ruuvi ja ulkopriikka.

HUOM: Terän ruuvi aukeaa myötäpäivään.

VAROITUS

Jotta kara tai sen lukitus ei vioittuisi, anna moottorin aina pysähtyä täysin ennen karan lukituksen kytkemistä päälle.

- HUOM:** Älä käytä sahaa karan lukituksen ollessa päällä.
- Levitä öljytippa terän sisä- ja ulkopriikan sille pinnalle, joka on kosketuksissa terän kanssa.





Suomi

▲ VAROITUS

Jos terän sisäprikka on irrotettu, asenna se paikoilleen ennen leikkuuterän asettamista karalle. Muutoin laite voi aiheuttaa onnettomuuden, koska terä ei ole tarpeeksi kireällä.

- Asenna terän ulkoprikka.
- Paina karan lukituspainiketta ja asenna terän ruuvi. Kiristi terän ruuvi tiukalle kiertämällä sitä vastapäivään.
- Palauta terän avain säilytyspaikkaansa.

HUOM: Älä koskaan käytä terää, joka on niin paksu, että terän ulkoprikka ei pääse koskettamaan karan tasapintaa.

KÄYTTÖ

▲ VAROITUS

Käytä polynaamaria aina tiilisahaa käyttäessäsi. Muutoin seurauksena voi olla vakava loukkaantuminen.

▲ VAROITUS

Käytä aina konetta käyttäessäsi sivuilta suojattu suojalaseja. Tämän ohjeen laiminlyönti voi aiheuttaa kappaleiden sinkoutumista silmiin käytön aikana ja aiheuttaa täten vakavia silmävammoja.

▲ VAROITUS

Älä käytä muita kuin tämän tuotteen valmistajan suosittelemia lisälaitteita. Muiden kuin suositeltujen lisävarusteiden ja lisävarusteiden käyttö voi aiheuttaa vakavan loukkaantumisen.

AKUN SUOJAUSOMINAISUUDET

RYOBI 18 V litiumioniakut sisältävät ominaisuuksia, jotka suojaavat litiumionikemioita ja maksimoivat akun käyttöiän. Joissain käyttöolosuhteissa nämä integroidut ominaisuudet saavat akun ja siihen kytketyn laitteen käyttäytymään eri lailla kuin nikkeli-kadmiumakuilla.

Akun sähkölaitteet voivat joissain tapauksissa sammuttaa akun, jolloin työkalu lakkaa toimimasta. Voit nollata akun ja työkalun vapauttamalla liipaisimen ja jatkamalla normaalikäyttöä.

HUOM: Vältä työkalun pakottamista, jotta akku ei sammuisi.

Jos liipaisimen vapauttaminen ei nollaa akkua ja työkalua, akku on tyhjä. Jos akku on tyhjä, se alkaa ladata heti kun se asetetaan litium-ionilaturiin.

AKUN ASENTAMINEN/IRROTTAMINEN

Katso kuvaa 4.

- Aseta akku sahaan. Kohdista akun harjanne sahan uran kanssa ja työnnä akku sahaan.
- Varmista, että akun sivuilla olevat salvat napsahtavat paikoilleen ja että akku istuu sahasa tukevasti ennen käytön aloittamista.

▲ VAROITUS

Irrota akku työkalusta aina kun kokoat osia, teet säätöjä, puhdistat sitä ja kun se ei ole käytössä. Akun irrottaminen estää laitetta käynnistymättä vahingossa, jolloin vältytään mahdollisilta vakavilta vammoilta.

AKUN IRROTTAMINEN

Katso kuvaa 4.

- Paina akun sivuilla olevia salpoja siten, että se irtoaa sahasta.
- Irrota akku sahasta.

LEIKKUUTERÄT

Paraskaan leikkuuterä ei leikkaa hyvin, jos se on tylsä tai pahasti kulunut. Tylsän terän käyttö kuormittaa sahaa paljon. Pidä ylimääräisiä teriä saatavilla, jotta voit aina käyttää terävää terää.

SAHAN KÄYNNISTÄMINEN/PYSÄYTTÄMINEN

Katso kuvaa 5.

Sahan käynnistys:

- Paina lukituspainiketta.
- Paina liipaisinta.

Anna terän aina saavuttaa täysi nopeus ja ohjaa se sitten työkappaleeseen.

Sahan pysäyttäminen:

- Vapauta liipaisin.

Kun olet vapauttanut liipaisimen, anna terän pysähtyä täysin. Älä nosta sahaa irti työkappaleesta terän pyöriessä.

LIIPAISIMEN LUKINNAN VAPAUTUSNAPPI

Katso kuvaa 5.

Lukituspainike pienentää vahingossa tapahtuvan käynnistykseen riskiä. Lukituspainike sijaitsee kahvassa liipaisimen yläpuolella. Lukituspainiketta on painettava ennen liipaisimen painamista. Lukitus kytkeytyy päälle aina kun liipaisin vapautetaan.

HUOM: Voit painaa lukituspainiketta joko vasemmalta tai oikealta puolelta.

TERÄN SYVYYDEN SÄÄTÄMINEN

Katso kuvaa 6.

Pidä terän syvyysasetus aina oikeana. Terän





Suomi

syvyysasetuksen ei tule ylittää 6.35 mm leikattavan materiaalin alapuolella. Suurempi syvyys kasvattaa takapotkun riskiä ja tekee leikkuujäljestä karkean. Syvyys voidaan säätää tarkasti laitteen takana olevan asteikon avulla.

- Avaa syvyysäätonuppi.
- Määritä toivottu leikkuusyvyys.
- Paikanna leikkuusyvyys laitteen takana olevalta asteikolta.
- Pidä alustaa tasaisesti työkalpaletta vasten ja nosta tai laske sahaa, kunnes tuen osoitin on terän suojuksen loven kohdalla.
- Kiristä syvyydensäätonuppi tiukasti.

SAHAN KÄYTTÖ

Katso kuvaa 7 - 8.

Sahan oikea käyttö on tärkeä ymmärtää. Tämän kappaleen kuvat esittävät oikeita ja vääriä tapoja käsitellä sahaa.

⚠ VAROITUS

Kun nostat sahan työkalpaleesta, terä on näkyvissä sahan alapuolella.

Paras mahdollinen leikkaus:

- Pitele sahaa tukevasti molemmiin käsiin.
- Älä aseta kättäsi työkalpaleen päälle sahausken aikana.
- Tue työkalpale siten, että leikkausjälki (uurros) on aina käyttäjän puolella.
- Tue työkalpale leikkauksen läheltä.
- Kiinnitä työkalpale tukevasti siten, että se ei pääse liikkumaan leikkuun aikana.
- Aseta saha aina tuetun työkalpaleen, ei poisleikattavan osan, päälle.
- Aseta työkalpale "hyvä" puoli alaspäin.
- Piirrä ennen leikkausta haluamasi leikkuulinja.

LEIKKUU

Piirrä tiileen aina viiva leikkuulinjaa pitkin huopakynällä tai tussilla. Jos tiili on kiiltävä tai vaikea merkitä, liimaa tiileen maalarinteippiä ja piirrä teippiin.

Yleinen ongelma tiilien leikkaamisessa on poikkeaminen merkitystä linjasta. Jos poikkeat linjasta, terää ei voi pakottaa takaisin linjalle kääntämällä tiiltä. Palaa sen sijaan takaisinpäin ja leikkaa tiili uudelleen leikkaamalla sitä sen verran, että terä palaa taas linjalle.

Voit välttää tämän ongelman asettamalla suoran ohjaimen tehdeksi suoria ja viistoleikkauksia. Leikkuu tulee tehdä ulkona, jos se tehdään märkinä.

REUNAOHJAIMEN KÄYTTÄMINEN

Katso kuvaa 9.

Käytä reunaohjainta, kun teet sahalta pitkiä tai leveitä halkaisuja.

1. Irrota akku porasta.
2. Aseta reunaohjain sahan alustan koloihin.
3. Säädä reunaohjain tarvittavalle leveydelle.
4. Kiristä siipiruuvi kunnolla.

Kun käytät reunaohjainta, pidä ohjaimen etupuoli lujasti työkalpaleen reunaa vasten. Tällöin leikkuu sujuu hyvin terää puristamatta. Kun reunaohjain on suorassa, leikkuujäljestäkin tulee suora. Varo, että terä ei jumiudu leikkuu-uraan.

HUOLTO

⚠ VAROITUS

Käytä vaihdossa yksinomaan alkuperäisiä RYOBI varaosia. Muunlaisten osien käyttö voi aiheuttaa vaaran tai vioittaa laitetta.

Älä puhdisti muoviosia liuottimilla. Erilaiset kaupalliset liuottimet voivat vioittaa useimpia muovityyppejä. Poista lika, pöly, öljy, rasva tms. puhtailla rievuilla.

⚠ VAROITUS

Älä koskaan päästä jarrunesteitä, bensiiniä, öljytuotteita, lämpäiseviä öljyjä tms. kosketuksiin muoviosien kanssa. Nämä kemialliset tuotteet sisältävät aineita, jotka voivat vaurioittaa, heikentää tai tuhota muovin minkä seurauksena voi aiheutua vakavia ruumiinvammoja.

Älä pakota sähkötyökaluja. Väärinkäyttö saattaa vahingoittaa työkalua ja työkalpaletta.

⚠ VAROITUS

Älä yritä tehdä muutoksia työkaluun tai liittää siihen lisävarusteita, joita ei ole suositeltu sen kanssa käytettäväksi. Tällainen muuntelu on väärinkäyttöä ja saattaa johtaa vaaratilanteeseen, joka saattaa aiheuttaa mahdollisen vakavan vamman.



Suomi

YMPÄRISTÖNSUOJELU



Älä hävitä raaka-aineita jätteinä vaan vie ne kierrätykseen. Ympäristönsuojelun kannalta työkalu, lisäksi r usteet ja pakkausmateriaali on lajiteltava.

SYMBOLIT



Turvallisuusvaroitus



Todistus CE-sääntöjen noudattamisesta



EurAsian-vaatimustenmukaisuusmerkki



Ukrainalainen säädöstenmukaisuusmerkintä



Käytä suojalaseja



Lue ohjeet huolellisesti ennen laitteen käynnistämistä.



Käytä suojalaseja, kuulosuojaimia ja hengityssuojainta.



Kivi



Marmori



Keraaminen



Posliini



Käytöstä poistettavia sähkölaitteita ei pidä hävittää talousjätteiden mukana. Ne on mahdollisuuksien mukaan pantava kiertoon. Kierrätysohjeita antavat kunnan viranomaiset ja vähittäiskauppiat.

Norsk

Sikkerhet, ytelse og driftssikkerhet er gitt topp prioritet i konstruksjonen av din 18 V våt tør flisesag.

TILTENKT BRUK

Du kan bruke dette produktet til følgende formål:

- Våt kryss-skjæring, deling eller skråningskjæring av menneskelagde fliser, brostein og fliser laget av natursteinmaterialer.
- For tørrskjæring av materialene som er nevnt ovenfor kreves det spesielle skjæreblander (medfølger ikke).

Dette produktet kan bruke RYOBI ONE+ 18 V lithium-ion batteripakke og RYOBI ONE+ 18 V nickel-cadmium batteripakker.

For fullstendige instruksjoner om lading, se brukermanualen for RYOBI ONE+ batteripakke og ladermodeller.

⚠ ADVARSEL

Les alle sikkerhetsadvarslene og alle instruksjonene. Dersom man ikke holder seg til advarsler og instruksjoner kan det føre til elektrisk støt, brann og/eller alvorlig personskade.

Ta vare på alle advarsler og anvisninger for senere bruk.

SIKKERHETSADVARSLER FOR FLISSAG

- Sikkerhetsanordningen som følger med verktøyet, må være sikkert påmontert til det motordrevne verktøyet og være stilt inn for å gi maksimal sikkerhet, slik at minst mulig av hjulet er åpent mot operatøren. Plasser deg selv og eventuelle tilskuere slik at det roterende hjulet vender vekk fra dere. Skjermen bidrar til å beskytte brukeren mot avbrutte hjulfragmenter og utilsiktet kontakt med hjulet.
- Bruk kun diamantkutteskiver for dette elektroverktøyet. Selv om et tilbehør kan monteres på et verktøy, garanterer det ikke at du kan bruke det verktøyet på en sikker måte.
- Tilbehørets nominelle hastighet skal være lik eller høyere enn maksimalhastigheten som står på verktøyet. Tilbehørene som brukes i høyere hastighet enn sin nominelle hastighet kan brytes og slynges ut.
- Hjul må kun benyttes til anbefalte applikasjoner. For eksempel må du ikke slippe med kanten på et kappehjul. Slipende kappeskiver er ment for periferisliping, når disse hjulene settes for sidekrefter kan det oppstå splintring.
- Bruk alltid ubeskadigede hjulfensler som har korrekt størrelse og form for det valgte hjulet.

Korrekt hjulfens støtter hjulet og reduserer dermed muligheten for at hjulet skal bryte.

- Tilbehørets ytre diameter og tykkelse skal svare til egenskapene som spesifiseres for verktøyet. Hvis tilbehørene ikke svarer til de angitte egenskapene, kan ikke verktøyet beskyttelses- og innstillingssystemer virke ordentlig.
- Skaftstørrelsen på skivene og flensene må passer riktig inn i spindelen til elektroverktøyet. Skiver og flenser med skaft hull som ikke passer i festene på elektroverktøyet vil gå ut av balanse, vibrere veldig og kan føre til kontrolltap.
- Ikke bruk skiver med skader. Før hver bruk må skiven kontrolleres for skår og sprekker. Hvis elektroverktøyet eller skiven faller i bakken, må delen inspiseres for skader og ev. byttes med en hel skive. Etter kontroll og installasjon av skiven, må du og tilskuere stå lengst unna den åpne delen av kutteskiven, og elektroverktøyet må kjøres i ett minutt med maksimal hastighet og uten belastning. Skiver med skader vil vanligvis knekke i denne testtiden.
- Bruk Personlig verneutstyr. Alt etter hva du bruker verktøyet til, skal du bruke beskyttelsesmaske, sikkerhetsbriller eller vernebriller. Bruk om nødvendig støvmaske, hørselsvern, hansker og beskyttelsesforkle for å beskytte deg mot utslynging av fremmedlegemer (slipeavfall, trespon, osv.). Vernebriller hindrer at partikler slynges ut og skader øynene dine. Støvmasker filtrerer partiklene som dannes ved arbeidsoppgaven din. Langvarig eksponering for sterkt støy kan svekke hørselen.
- Hold besøkende i god avstand fra arbeidsområdet og påse at de har verneutstyr på seg. Alle som kommer inn i arbeidsområdet må bruke personlig verneutstyr. Biter av arbeidsmateriale eller avknekte skivedeler kan bli slengt ut og føre til personskade også utenfor det umiddelbare arbeidsområde.
- Hold verktøyet kun i de isolerte og sklisikre delene når du arbeider på en flate som kan skjule elektriske ledninger eller når arbeidet kan plassere ledningen i verktøyet bane. Skjæreredskap som får kontakt med strømførende elektriske ledninger kan føre til at metalldelene på verktøyet blir strømførende og at brukeren kan få støt.
- Legg aldri fra deg verktøyet før tilbehøret har sluttet helt å rotere. Den roterende skiven kan ta tak i overflater og dra elektroverktøyet ut av din kontroll.
- Ikke la verktøyet gå når du frakter det. Det roterende tilbehøret kan henge seg fast i klærne dine og skade deg alvorlig.
- Rengjør regelmessig verktøyet ventilasjonsspalter. Motorens ventilasjon får støv

Norsk

til å komme inn i motorhuset, noe som kan medføre allfor stor oppsamling av metallpartikler og forårsake elektrisk støt.

- **Bruk ikke verktøyet i nærheten av brannfarlige produkter.** Gnister kan sette fyr i dem.

TILBAKESLAG OG RELATERTE ADVARSLER

Tilbakeslag er en plutselig reaksjon som kan oppstå hvis skiven er i klem eller knekt. Er skiven i klem eller knekt, vil den plutselig bli stanset og det vil forårsake at det ukontrollerte elektroverktøyet ved koblingen blir slengt i motsatt retning av skivens rotasjon.

Hvis for eksempel en slipeskive klemmes eller vris i arbeidsstykket, vil skivens skarpe del trenge inn i arbeidsstykkets overflate, noe som vil få skiven til å klatre ut eller slå tilbake. Hjulet kan enten hoppe mot eller bort fra operatøren, avhengig retning hjulet bevegelse på punktet av knipe. I tilfelle tilbakeslag, kan slipeskiven også brytes.

Det kan unngås ved å ta visse forholdsregler:

- **Hold godt i verktøyet og still kroppen og armen din slik at du kan kontrollere et eventuelt tilbakeslag. Hvis verktøyet har et støttehåndtak, skal du alltid holde i det så du får optimal kontroll over verktøyet i tilfelle tilbakeslag eller reaksjonskraft når verktøyet startes.** Ta nødvendige foranstaltninger så du kan kontrollere verktøyet ditt i tilfelle tilbakeslag eller reaksjonskraft.
- **Legg aldri hånden din i nærheten av det roterende tilbehøret for å unngå all fare for kroppsskader i tilfelle tilbakeslag.** Tilbehøret kan kast over hånden din.
- **Ikke stå slik at kroppen din er foran det roterende skiven.** I tilfelle tilbakeslag slynges verktøyet ut i motsatt retning til skivens rotasjonsretning.
- **Vær spesielt forsiktig når du arbeider på hjørner, skarpe kanter, osv.**
- **Unngå at tilbehøret glir eller kiles fast.** Når du arbeider på hjørner eller skarpe kanter eller når verktøyet glir, er det større fare for at tilbehøret låses fast, og dermed at du mister kontroll over verktøyet og at det oppstår tilbakeslag.
- **Ikke sett på sagkjede, treskjæringsblad, segmentert diamantskive med sideåpning større at 10 mm eller tannet sagblad.** De kan øke faren for tilbakeslag og tap av kontroll over verktøyet.
- **Ikke "klem" skiven eller bruk overdrevet trykk. Ikke gjør forsøk på å utføre et ekstremt dypt kutt.** Kraftig trykk mot hjulet øker belastningen og mulighet for at hjulet bødes eller blokkeres i kappesporet med tilhørende fare for tilbakeslag eller at kappenhjulet brykker.
- **Når kappenhjulet blokkeres eller når arbeidet med et kapp av en eller annen grunn avbrytes, slå av**

verktøyet og hold det helt i ro inntil kappenhjulet har stanset helt. Prøv aldri å fjerne skiven fra kuttet mens skiven er i bevegelse ellers kan tilbakeslag forårsakes. Hvis skiven står fast, må du forsøke å finne årsaken og ta nødvendige foranstaltninger for at det ikke gjentar seg.

- **Ikke start kappingen på nytt mens kappenhjulet fortsatt står i arbeidsstykket. La hjulet nå maksimal hastighet før du forsiktig setter det tilbake i sporet som er kappet.** Hjulet kan blokkeres, krype ut eller slå tilbake dersom verktøyet startes mens kappenhjulet står i arbeidsstykket.
- **Støtt opp plater og store arbeidsstykker for å redusere faren for at kappenhjulet kommer i beknip, med tilhørende fare for tilbakeslag.** Store plater har en tendens til å sige under sin egen vekt. Støttene må legges under begge sider av platen, nær sporet som skal skjæres og nær kanten av platen.
- **Vær ekstra forsiktig når du foretar et "lommekutt" inn i en eksisterende vegg eller annet blindt område.** Det utstående hjulet kan kappe gass- og vannrør, elektriske ledninger og objekter som kan føre til tilbakeslag.

SPEIELLE SIKKERHETSADVARSLER

- Hvis ikke i bruk må skivene lagres i på tørt sted og håndteres med forsiktighet.

EKSTRA ADVARSLER FOR BATTERISIKKERHET

▲ ADVARSEL

For å unngå fare for en brann forårsaket av en kortslutning, av personskader eller skader av produktet, må det forhindres at batteripakken eller laderen dyppes i væsker og også sørges for at ingen væsker kan komme inn i apparatene eller batteriene. Korroderende og ledende væsker som saltvann, visse kjemikalier og blekemidler eller produkt som inneholder blekemidler kan forårsake en kortslutning.

TRANSPORTERE LITUM-BATTERIER

Transporter batteriet i samsvar med lokale og nasjonale forskrifter og bestemmelser.

Følg alle spesielle krav når det gjelder pakking og merking når tredje part skal transportere batteriene. Pass på at batteriene ikke kan komme i kontakt med andre batterier eller ledende materialer når de transporteres ved at du beskytter åpne koblinger med isolerende, ikkeledende hetter eller tape. Ikke transportert batterier som har sprekker eller lekket. Sjekk med transportfirmaet for ytterligere råd.

Norsk

BESKRIVELSE

1. Strømbryterens frigjøringsknapp
2. Spindellåseknapp
3. Hellingsskala
4. Låseknapp for gjæring
5. Låseknapp for kantguide
6. Skjæreblad
7. Fotplate
8. Flytjusteringsknott
9. Utløserknapp for vannflaske
10. Vannflaske
11. Låseknott for skjæredybde
12. Oppbevaring av fastnøkkel til skjæreblad
13. Batteripakke (ikke inkludert)
14. Strømbryter
15. Innvendig pakning for skjære
16. Hjul
17. Utvendig pakning for skjæreblad
18. Festeskrue for skjæreblad
19. Feil metode for støtte av flis
20. Korrekt metode for støtte av flis
21. Parallellanslag
22. Håndtak, isolert gripeoverflate

MONTERING

MONTERING AV VANNFLASKE FOR GRAVITASJONS-
MATING

Se fig. 2.

Flasken for gravitasjonsmating av vann har en innebygget luftventil som jevner ut trykket og gjør det mulig for vannet å strømme friere.

- Fjern batteriet.
- Skru løs dyseenheten.
- Fyll vannflasken til ønsket nivå. Ikke overfyll.
- Sett dyseenheten tilbake på plass.
- Hold vannflasken slik at dysen peker nedover.
NB: Vann kan ikke renne ut av flasken så lenge dysen ikke er trykket inn.
- Sett inn vannflasken som vist. Trykk flasken forsiktig nedover inntil den kommer på plass med et klikk.
- For å ta flasken ut, trykk på flaskens utløserknapp.

NB: Ved tørrskjæring la flasken stå på plass for å hindre at støv og annet avfall tetter vanntilførselen.

⚠ ADVARSEL

Vannflasken er kun ment for vann. Bruk av annen væske kan påføre verktøyet skade.

⚠ ADVARSEL

Et 101,6 mm skjæreblad er maksimal bladdimensjon for sagen. Bruk aldri et skjæreblad som er så tykt at ikke den ytre pakningene kan ligge flatt mot bladet etter at den er tredd inn på spindelen. Større skjæreblad vil komme i kontakt med dekslet, mens for tykke skjæreblad vil hindre hjulskruen fra å feste bladet forsvarlig på spindelen. Begge deler kan føre til alvorlige ulykker.

⚠ ADVARSEL

Ikke bruk skjæreblader som er beregnet for hastigheter mindre enn verktøyets ubelastede hastighet. Å ikke følge denne advarselen kan føre til personskade. Ikke bruk skjæreblader med sprekker, hull eller tenner.

⚠ ADVARSEL

Ikke bruk tannede eller segmenterte skjæreblader. Anvend bare diamant skjæreblader med hel ramme til murmaterialer.

MONTERING AV SKJÆREBLAD

Se fig. 3.

- Fjern batteripakken fra sagen.
- Fjern fastnøkkelen (5 mm unbraconøkkel) fra oppbevaringsrommet.
- Trykk inn spindellåsknappen og fjern hjulskruen og den ytre skjærebladpakningen.

NB: Drei skjærebladskruen mot høyre for å skru ut.

⚠ ADVARSEL

Påse at motoren står helt stille før spindellåsen kobles til for å unngå skade på spindelen eller spindellåsen.

NB: Ikke kjør sagen med spindellåsen koblet inn.

- Tørk en dråpe olje på indre og ytre skjærebladpakning der de får kontakt med skjærebladet.

⚠ ADVARSEL

Dersom innvendig pakning er tatt av, påse at den settes tilbake på plass før skjærebladet settes på spindelen. Å unnlate å gjøre dette kan føre til en ulykke siden skjærebladet ikke vil kunne strammes tilstrekkelig.

- Sett tilbake på plass utvendig skjærebladpakning.
- Trykk inn spindellåsen og sett dernest inn bladskruen. Stram bladskruen godt til ved å dreie den mot venstre.



Norsk

- Legg fastnøkkelen for skjærebladet tilbake i oppbevaringsrommet.

NB: Bruk aldri et skjæreblad som er så tykt at ikke den ytre pakningene kan ligge flatt mot bladet etter at den er tredd inn på spindelen.

BRUK

▲ ADVARSEL

Anvend alltid støvmaske når du bruker en issag. Å unnlate å gjøre det kan føre til alvorlig personskade.

▲ ADVARSEL

Anvend alltid beskyttelsesbriller eller sikkerhetsbriller når du bruker sagen. Hvis dette ikke følges kan det føre til at fremmedlegemer kastes inn i øynene dine med påfølgende alvorlige øyenskader.

▲ ADVARSEL

Ikke bruk tilkoblet utstyr eller tilbehør som ikke er anbefalt av produsenten av dette verktøyet. Bruken av deler eller tilbehør som ikke anbefales kan føre til alvorlig personskade.

SPESIFIKASJONER FOR BESKYTTELSE AV BATTERIET

RYOBI 18 V lithium-ion-batterier har egenskaper som beskytter lithium-ion-celle og maksimerer batteriets levetid. Under visse driftsforhold kan de innebygde egenskapene føre til at batteriet og verktøyet det driver oppføre seg annerledes enn med nickel-cadmium batterier.

Under visse bruksforhold kan batteriets elektronikk sende signaler til batteriet om å slå seg av og dermed føre til at verktøyet stopper. For å nullstille batteriet og verktøyet løs ut Av/På-bryteren og klem den inn i igjen for å fortsett arbeidet.

NB: For å unngå ytterligere avstengning av batteriet, unngå å presse verktøyet.

Hvis det å slippe Av/På-bryteren ikke nullstiller batteriet og verktøyet, kan batteripakken være utladet. Hvis batteripakken er utladet vil den begynne å lade når den settes i lithium-ion-laderen.

INSTALLERING AV BATTERIPAKKEN

Se fig. 4.

- Plasser batteripakken i sagen. Sett de hevede ribbene i batteripakken på linje med sporene på sagen, Skyv deretter batteripakken inn i sagen.

- Påse at sperrehakene på begge sider av batteripakken er i inngrep og at batteripakken er sikret i laderen før lading påbegynnes.

▲ ADVARSEL

Koble alltid batteripakken fra verktøyet ditt når du skal sette sammen delene, utføre justeringer, rense enheten eller når den ikke skal brukes. Å fjerne batteripakken vil hindre utilsiktet start av drillen som kan føre til alvorlig personskade.

FJERNING AV BATTERIPAKKEN

Se fig. 4.

- Finn sperrehakene på siden av batteripakken og trykk dem inn for å frigjøre batteripakken fra sagen.
- Fjern bateripakken fra sagen.

SKJÆREBLADENE

Selv de beste skjærebladene vil ikke skjære effektivt dersom de er sløve eller brukes på feil måte. Bruk av sløve skjæreblader vil utsette sagen for store belastninger. Sørg for å ha ekstra skjæreblader for hånden slik at du alltid har skarpe skjæreblader tilgjengelig.

STARTING/STOPPING AV SAGEN

Se fig. 5.

Å starte sagen:

- Trykk inn låseknappen.
- Trykk inn På/Av-bryteren.

La alltid skjærebladet oppnå full hastighet før du setter sagen mot arbeidsstykket.

Å stoppe sagen:

- Løs ut På/Av-bryteren.

Etter at du har løst ut På/Av-bryteren la skjærebladet stoppe helt. Ikke fjern skjærebladet fra arbeidsstykket så lenge bladet beveger seg.

STRØMBRYTERENS FRIGJØRINGSKNAPP

Se fig. 5.

Låseknappen reduserer muligheten for utilsiktet start av sagen. Låseknappen befinner seg på håndtaket, over På/Avbryteren. Låseknappen må trykkes inn før du trykker inn Av/På-bryteren. Låsen tilbakestilles hver gang du slipper På/Avbryteren.

NB: Du kan trykke inn låseknappen både fra høyre og venstre side.

JUSTERING AV SKJÆREDYBDEN

Se fig. 6.

Ha alltid korrekt innstilling av skjæredybde. Korrekt innstilling av dybden på skjærebladet skal ikke overstige 6,35 mm under materialet som skjæres. Større



Norsk

skjæredybde vil øke faren for tilbakeslag og føre til at skjæresporet kan bli grovere. For mer presis skjæredybde, se skalaen på den bakre braketten.

- Løsne justeringsknappen for dybdejustering.
- Bestem ønsket dybde.
- Se skalaen for skjæredybde på bakre brakett.
- Hold sokkelen flatt mot arbeidsstykket og hev eller senk sagen inntil indikatormerket på braketten er på linje med hakket i skjærebladdekslet.
- Stram til justeringsknappen for dybdejustering.

BRUKEN AV SAGEN

Se fig. 7 - 8.

Det er viktig å forstå korrekt metode for bruk av sagen. Se tegningene i denne seksjonen og lær korrekt og feil måte å håndtere sagen.

⚠ ADVARSEL

Når du løfter sagen fra arbeidsstykket vil skjærebladet være eksponert på undersiden av sagen.

For å gjøre det best mulige kuttet:

- Hold sagen fast med begge hender.
- Unngå å plassere hånden på arbeidsstykket mens det skjæres.
- Støtt arbeidsstykket slik at skjæret alltid er på din side.
- Støtt arbeidsstykket nær skjæresporet.
- Fest arbeidsstykket med tvinger eller på annen måte slik at det ikke kan komme i bevegelse mens det skjæres.
- Plasser alltid sagen på den delen av arbeidsstykket som er støttet, aldri på den delen som skal skjæres av.
- Plasser arbeidsstykket med den "gode" siden ned.
- Trekk en hjelpelinje langs det ønskede skjæresporet før du begynner å skjære.

SLIK FORETAS ET KUTT

Tegn alltid en linje med en tusj penn eller fettstift på flisen der det skal skjæres. Hvis flisen er blank og det er vanskelig å markere på den, fest maskeringstape på flisen og strek opp på tapen.

Et vanlig problem når det skjæres er å følge den opptegnede skjærelinjen. Dersom du har beveget deg vekk fra linjen kan du ikke tvinge skjærebladet tilbake ved å presse sagen eller flisen. I stedet kan du gå tilbake og skjære av tynne biter av flisen inntil du er tilbake i sporet.

For å unngå dette problemet kan du, når det er mulig, bruke en rettkantet guide for rette kutt eller gjæringskutt. Hvis det er ønskelig å foreta våt skjæring, bør dette gjøres utendørs.

BRUKE KANTSKINNEN

Se fig. 9.

Bruk kantskinne når du skal lage lange eller brede snitt med sagen.

1. Fjern batteripakken fra verktøyet.
2. Før kantskinne gjennom sporene i sagbenken.
3. Juster kantskinne til ønsket bredde.
4. Stram vingeskruen godt til.

Når du bruker en kantskinne, plasserer du siden på skinnen slik at den ligger godt mot siden av arbeidsstykket. Dette sikrer et godt snitt uten at bladet kommer i klem. Den førende kanten av arbeidsstykket må være rett for at snittet skal kunne bli rett. Vær forsiktig så bladet ikke setter seg fast i snittet.

VEDLIKEHOLD

⚠ ADVARSEL

Bruk kun originale RYOBI reservedeler ved service og vedlikehold. Bruk av andre deler kan skape fare eller føre til skade på produktet.

Unngå bruk av løsemidler når du rengjør plastdelene. De fleste plasttyper er sårbare for forskjellige typer løsemidler i handelen og kan skades dersom de brukes. Bruk rene kluter til å fjerne skitt, støv, olje og fett osv.

⚠ ADVARSEL

Du må aldri la bremsevæske, drivstoff, petroleumbaserte produkter, rustopløsende olje osv. komme i kontakt med plastikkdelene. Slike kjemiske produkter inneholder stoffer som kan skade, svekke eller ødelegge platen, noe som kan medføre alvorlige kroppsskader.

Ikke miksbruk elektronisk verktøy. Misbruk kan skade både verktøyet og arbeidsstykket.

⚠ ADVARSEL

Ikke gjør forsøk på å endre dette verktøyet eller lage tilbehør som ikke er anbefalt brukt sammen med verktøyet. Enhver slik endring eller modifikasjon regnes som misbruk og kan føre til farlige situasjoner som kan ha alvorlige personskader til følge.

Norsk

MILJØVERN



Resirkuler råmaterialer istedenfor å kaste dem i søppelen. Verktøyet, tilbehørene og emballasjen bør sorteres for miljøvennlig resirkulering.

SYMBOLER



Sikkerhetsadvarsel



CE samsvarserklæring



EurAsian Konformitetstegn



Ukrainsk merke for konformitet



Bruk øyebeskyttelse



Vennligst les instruksjonene nøye før du starter maskinen.



Bruk øyne-, øre-og åndedrettsbeskyttelse.



Stein



Marmor



Keramikk



Porselen



Avfall fra elektriske produkter skal ikke kastes sammen med husholdningsavfall. Vennligst resirkulere vedeksisterende avfallsbehandlingssted. Undersøk hos dine lokale myndigheter eller forhandler for råd om reirkulering.

Русский

При разработке этого плиткореза для сухой и влажной резки 18 В особое внимание уделялось безопасности, производительности и надежности.

НАЗНАЧЕНИЕ

Вы можете использовать данное изделие для следующих назначений:

- Поперечное резание со смачиванием, продольное резание и резание с скопом кафеля, напольной плитки и материалов из натурального камня.
- Для резания без смачивания перечисленных выше материалов требуется специальный режущий диск (не предусмотрен).

В данном устройстве можно использовать литий-ионные аккумуляторные батареи RYOBI ONE+ напряжением 18 В и никель-кадмиевые аккумуляторные батареи RYOBI ONE+ напряжением 18 В.

Подробную информацию по их зарядке см. в руководствах пользователей аккумуляторных батарей RYOBI ONE+ и зарядных устройств.

▲ ОСТОРОЖНО

Прочтите все указания и инструкции по технике безопасности. Несоблюдение предостережений и инструкции может привести к поражению электрическим током, возгоранию и/или серьезным травмам.

Сохраните все предупреждения и инструкции для дальнейшего использования.

ПРЕДОСТЕРЕЖЕНИЕ ОТНОСИТЕЛЬНО БЕЗОПАСНОГО ПОЛЬЗОВАНИЯ ПЛИТКОРЕЗА

- Защитное приспособление, входящее в комплект поставки электроинструмента, должно быть надежно прикреплено к инструменту, а его положение отрегулировано так, чтобы диск был максимально закрыт для обеспечения максимальной безопасности. Не находите сами и не позволяйте другим находиться около плоскости вращения круга. Защитный экран предназначен для защиты оператора от разлета осколков и случайного контакта с кругом.
- Используйте только алмазный диск для вашего электроинструмента. Просто потому, что аксессуар может быть подключен к вашей власти инструмент, он не обеспечивает безопасную эксплуатацию.
- Номинальная скорость аксессуара должен быть по меньшей мере равную максимальной

скорости отмечается электроинструмента. Аксессуары работает быстрее, чем их номинальная скорость может привести к поломке и развалится.

- Круги должны использоваться только для рекомендуемого применения. Например, не допускается шлифование боковыми поверхностями отрезного круга. Абразивные отрезные круги предназначаются для работы периферией круга, боковые силы, возникающие при такой работе, могут привести к обламыванию краев.
- Не допускается использование кругов с поврежденным гребнем, всегда используйте круги, подходящие по диаметру. Соответствующие рубашки дисков поддерживают диски, препятствуя их разрушению.
- Наружный диаметр и толщина ваших аксессуаров должна быть в пределах возможностей рейтинг вашего электроинструмента. Неправильно размера принадлежности не может быть адекватно охраняется или контролироваться.
- Размер внутреннего отверстия дисков и фланцев должен точно соответствовать размеру шпинделя электроинструмента. Диски и фланцы с отверстиями, размеры которых не в точности соответствуют деталям электроинструмента, будут несбалансированы, что вызывает сильную вибрацию и может привести к потере управления.
- Не используйте поврежденные диски. Перед каждым использованием следует осмотреть диски на предмет сколов и трещин. Если электроинструмент или диск упал, убедитесь в отсутствии повреждений и при необходимости установите другой диск. После проверки и установки диска встаньте в стороне от плоскости вращения диска и запустите электроинструмент на максимальной скорости без нагрузки в течение одной минуты. Поврежденные диски обычно разламываются на части во время этого испытания.
- Используйте средства индивидуальной защиты. В зависимости от приложения, используйте маску, защитные очки или защитные очки. В случае необходимости надевайте маску от пыли, защитными наушниками, перчатки и фартук семинар, способных остановить малых абразивные или заготовки фрагментов. Для защиты глаз должны быть в состоянии остановить полеты мусора в различных операций. Респиратор или противогаз должен быть способен фильтрации частиц, созданных на операции. Длительное воздействие высокой интенсивности шума может привести к

Русский

потере слуха.

- **Держите прохожих на безопасном расстоянии от рабочей области.** Лица, которые прибывают области работы должны носить средства индивидуальной защиты. Фрагменты заготовки или сломанный диск могут вылететь и причинить травму за пределами непосредственной рабочей зоны.
- **Держите электрические инструменты за изолированные поверхности только при выполнении операций, когда режущий инструмент может контактировать со скрытой проводкой или с собственным проводом.** В результате контакта полотна с проводом, находящимся под напряжением, металлические части инструмента также могут оказаться под напряжением, что приведет к поражению работающего электрическим током.
- **Никогда не лежал электрический инструмент, пока аксессуар пришла к полной остановке.** Вращающийся диск может зацепить поверхность и вырвать электроинструмент из ваших рук.
- **Не запускайте электроинструмента при проведении его на вашей стороне.** Случайный контакт с прядильных аксессуар может загвоздка одежду, потянув за принадлежность в ваше тело.
- **Регулярно очищайте воздушные силы инструмента отверстия.** Вентилятор двигателя будет опираться пыли внутри корпуса и чрезмерное накопление сухого металла может привести к опасности поражения электрическим током.
- **Не работайте с электроинструментом вблизи легковоспламеняющихся материалов.** Искры могут воспламенить эти материалы.

МЕРЫ ПРЕДОСТОРОЖНОСТИ, СВЯЗАННЫЕ С ОТСКОКОМ ИНСТРУМЕНТА

Обратный удар является внезапной реакцией на зацепление или застревание вращающегося диска. Зацепление или застревание вызывает быстрое застопоривание вращающегося диска, что, в свою очередь, бросает неконтролируемый электроинструмент в направлении, противоположном вращению диска в точке заклинивания.

Например, заклинивание отрезного круга в заготовке и зажим кромок круга в зоне защемления, может привести к резкому отскоку инструмента. Колесо может либо переходить к наблюдателю или от оператора, в зависимости от направления движения колеса в точке защемления. Абразивные круги могут сломать и в этих условиях.

Отдача является результатом злоупотребления властью инструмента и / или неправильный оперативных процедур или условий, и ее можно избежать путем принятия надлежащих мер предосторожности, которые приводятся ниже.

- **Поддержание крепко электроинструмент и положение тела и рук, чтобы вас не поддаваться отдачи сил.** Всегда используйте дополнительную ручку, если это предусмотрено для максимального контроля над отдачей или крутящего момента реакции во время запуска. Оператор может контролировать крутящий момент реакции или отдачи сил, если соответствующие меры предосторожности приняты.
- **Никогда не кладите руки вблизи вращающегося устройства.** Аксессуары могут откат за руку.
- **Не располагайте ваше тело на одной линии с вращающимся диском.** Отдача будет двигать этот инструмент в направлении, противоположном движению колеса в точке зацепления.
- **Использование специальных осторожны при работе с углами, острых краев т.д.**
- **Избегайте подпрыгивая и непредусмотренные аксессуары.** Уголки, острых кромок или подпрыгивая имеют тенденцию к топляк вращающиеся принадлежности и привести к потере контроля и отдачи
- **Не прикрепляйте пыльную цепь, лезвие для резьбы по дереву, сегментированный алмазный диск с периферийным зазором более 10 мм или мелкозубое пыльное полотно.** Такие лопасти создают частые отдачи и потери контроля.
- **Не "давите" слишком сильно на диск. Не делайте разрезы чрезмерной глубины.** Перенапряжение режущего диска увеличивает нагрузку и подвергает его скручиванию или защемлению диска в разрезе, что может привести к отскоку или повреждению диска.
- **При заклинивании отрезного круга или прекращении резания, по какой-либо причине, выключите электроинструмент и дождитесь полной остановки вращения отрезного круга. Никогда не пытайтесь извлечь диск из разреза, пока диск вращается, в противном случае может произойти обратный удар.** Расследовать и принять меры по исправлению положения, чтобы устранить причину колеса обязательным.
- **Не возобновляйте резание, если круг находится в заготовке. Дождитесь, пока диск не наберет полную скорость, и осторожно вводите круг в обрабатываемую деталь.** Если электроинструмент повторно запускается, когда отрезной круг находится в заготовке, то круг может заклинить, податься на оператора или отскочить.
- **Поддерживайте панели и любые крупногабаритные заготовки, чтобы уменьшить опасность заклинивания круга и**

Русский

отскока. Большие заготовки могут прогибаться под собственным весом. Опоры следует размещать под панелью, рядом с линией пропила и ближе к краю панели с обеих сторон круга.

- **Соблюдайте предельную осторожность при выполнении врезок в существующие стены или другие глухие зоны.** Рельефный круг можно использовать для отрезания газовых и водопроводных труб, электрических проводов или предметов, могущих вызвать отскок.

ДОПОЛНИТЕЛЬНЫЕ ПРЕДУПРЕЖДЕНИЯ ПО ТЕХНИКЕ БЕЗОПАСНОСТИ

- Когда устройство не используется, лезвия должны храниться в сухом месте, и обращаться с ними надо с осторожностью.

ТРЕБОВАНИЯ БЕЗОПАСНОСТИ ПРИ ИСПОЛЬЗОВАНИИ ДОПОЛНИТЕЛЬНОЙ АККУМУЛЯТОРНОЙ БАТАРЕИ

ОСТОРОЖНО

Для предотвращения опасности пожара в результате короткого замыкания, травм и повреждения изделия не опускайте инструмент, сменный аккумулятор или зарядное устройство в жидкости и не допускайте попадания жидкостей внутрь устройств или аккумуляторов. Коррозионные и проводящие жидкости, такие как соленый раствор, определенные химикаты, отбеливающие средства или содержащие их продукты, могут привести к короткому замыканию.

ТРАНСПОРТИРОВКА ЛИТIEВЫХ БАТАРЕЙ

Транспортируйте аккумуляторную батарею в соответствии с местными и государственными правилами и положениями.

При транспортировке батарей третьей стороной соблюдайте все специальные требования по упаковке и маркировке. Проверьте, чтобы аккумуляторные батареи не вступали в контакт с другими батареями или проводимыми материалами при транспортировке, для этого защитите оголенные разъемы изоляцией, изолирующими колпачками или лентами. Не переносите батареи с повреждениями или утечками. За дальнейшими консультациями обратитесь в транспортно-экспедиционную компанию.

ОПИСАНИЕ

1. Кнопка разблокировки курка

2. Блокировка шпинделя кнопки
3. Наклонной шкале
4. Ручка фиксации линейки
5. Ручка фиксации боковой направляющей
6. Отрезной диск
7. База
8. Ручка регулировки подачи воды
9. Кнопка открытия емкости с водой
10. Емкость для воды
11. Ручка фиксации глубины резки
12. Место хранения ключа для диска
13. Аккумуляторная батарея (в комплект поставки не входит)
14. Курковый выключатель
15. Внутренняя шайба диска
16. Колеса
17. Внешняя шайба диска
18. Болт крепления диска
19. Неправильный способ установки опор
20. Правильный способ установки опор
21. Руководство пограничного
22. Ручка, изолированная поверхность захвата

СБОРКА

УСТАНОВКА ЕМКОСТИ ДЛЯ ВОДЫ (С ПОДАЧЕЙ ВОДЫ САМОТЕКОМ)

См. рис. 2.

Емкость для воды с подачей воды самотеком имеет встроенный воздушный вентилятор, который выравнивает давление и обеспечивает более свободное движение воды.

- Снимите аккумуляторную батарею.
- Отверните насадку.
- Заполните емкость водой до желаемого уровня. Не прикладывайте чрезмерных усилий.
- Установите насадку на место.
- Поверните емкость для воды насадкой вниз.

ПРИМЕЧАНИЕ: Вода не будет вытекать из емкости, пока не будет нажат конец насадки.

- Установите емкость для воды, как показано на рисунке. Осторожно нажмите на емкость до ее фиксации на месте.
- Чтобы снять емкость для воды, нажмите кнопку освобождения емкости.

ПРИМЕЧАНИЕ: В режиме сухого резания не снимайте емкость для воды, чтобы предотвратить засорение системы подачи воды от пыли и мусора.

ВНИМАНИЕ

Емкость для воды предназначена для использования только с водой. Использование какой-либо другой жидкости может привести к поломке инструмента.

Русский

⚠ ОСТОРОЖНО

В пиле могут использоваться режущие диски диаметром не более 101,6 мм. Также никогда не используйте слишком толстые режущие диски, чтобы внешняя шайба диска могла быть установлена на шпindel. Режущие диски большего диаметра будут задевать за ограждение диска, а диски большей, чем надо, толщины могут помешать креплению диска на шпindel болтом крепления. Любая из данных ситуаций может привести к несчастному случаю с серьезными последствиями.

⚠ ОСТОРОЖНО

Не используйте режущие диски, рассчитанные на скорость вращения меньшую скорости холостого хода инструмента. Игнорирование данного предупреждения может привести к травмированию. Не используйте режущие диски с трещинами, сколами или зазубринами.

⚠ ОСТОРОЖНО

Не используйте зазубренные или расколотые диски. Используйте только диски с алмазной режущей кромкой, пригодные для каменной кладки.

УСТАНОВКА РЕЖУЩЕГО ДИСКА

См. рис. 3.

- Снимите аккумуляторную батарею с инструмента.
- Извлеките ключ для диска (шестигранный, 5 мм) из места его хранения.
- Нажмите кнопку блокировки шпинделя, отверните болт крепления диска и снимите внешнюю шайбу диска.

ПРИМЕЧАНИЕ: Болт крепления диска отворачивайте по часовой стрелке.

⚠ ВНИМАНИЕ

Чтобы не повредить шпindel или блокировку шпинделя, перед блокировкой шпинделя дождитесь полной остановки двигателя.

ПРИМЕЧАНИЕ: Не запускайте пилу с заблокированным шпинделем.

- Вытрите масло с внутренней и внешней шайб в места их контакта с диском.

⚠ ОСТОРОЖНО

Если внутренняя шайба была снята, перед установкой диска установите ее на место. Несоблюдение данного указания может привести к несчастному случаю, так как диск не будет затянут должным образом.

- Установите на место внешнюю шайбу диска.
- Нажмите кнопку блокировки шпинделя и заверните болт крепления диска против часовой стрелки, надежно его затяните.
- Поместите ключ для диска в место его хранения.

ПРИМЕЧАНИЕ: Никогда не используйте слишком толстые режущие диски, чтобы внешняя шайба диска могла быть установлена на фаски шпинделя.

ЭКСПЛУАТАЦИЯ**⚠ ОСТОРОЖНО**

При работе с пилой всегда надевайте пылезащитную маску. Невыполнение данного требования может привести к серьезной травме.

⚠ ОСТОРОЖНО

Всегда надевайте предохранительные или защитные очки с боковыми защитными экранами при работе с данным устройством. При несоблюдении этого правила техники безопасности посторонние предметы могут попасть в глаза и привести к тяжелым травмам.

⚠ ОСТОРОЖНО

е используйте какие-либо приспособления и принадлежности, не рекомендованные изготовителем данного изделия. Использование других деталей и аксессуаров ведет к тяжелым травмам.

СВОЙСТВА ПО ЗАЩИТЕ АККУМУЛЯТОРНЫХ БАТАРЕЙ

Литий-ионные аккумуляторные батареи напряжением 18 В компании RYOBI оснащены функциями защиты литий-ионных аккумуляторных элементов, что увеличивает срок службы батареи. При определенных рабочих условиях эти встроенные функции могут привести к тому, что данная батарея и оснащенный ей инструмент будут при работе вести себя по-другому, чем при оснащении устройства никель-кадмиевыми



Русский

аккумуляторами.

При некоторых видах работ электронная схема батареи может подать сигнал на отключение батареи, и инструмент перестанет работать. Чтобы восстановить работу батареи и инструмента, отпустите курковый выключатель и возобновите нормальную работу.

ПРИМЕЧАНИЕ: Чтобы предотвратить дальнейшую разрядку аккумуляторной батареи, избегайте работы с инструментом в форсированном режиме.

Если при отпускании куркового выключателя работа батареи и инструмента не возобновляются, значит, батарея разрядилась. Разряженная батарея начинает заряжаться при подключении к зарядному устройству для литий-ионных аккумуляторов.

УСТАНОВКА И СНЯТИЕ АККУМУЛЯТОРНОЙ БАТАРЕИ

См. рис. 4.

- Установите аккумуляторную батарею в инструмент. Совместите выступающую контактную колодку аккумуляторной батареи с гнездом на инструменте и вставьте в него батарею.
- Перед началом работы убедитесь, что защелки на каждой стороне аккумуляторной батареи защелкнулись на месте, а аккумуляторная батарея закреплена на инструменте.

▲ ОСТОРОЖНО

Всегда снимайте аккумуляторную батарею из изделия при сборке частей, выполнении регулировки, очистки, и когда оно не используется. Снятие аккумуляторной батареи предотвращает случайный запуск, который может стать причиной травмы.

СНЯТИЕ АККУМУЛЯТОРНОЙ БАТАРЕИ

См. рис. 4.

- Найдите защелки по бокам аккумуляторной батареи и нажмите на них, чтобы извлечь батарею из инструмента.
- Снимите аккумуляторную батарею с инструмента.

РЕЖУЩИЕ ДИСКИ

Самые лучшие режущие диски не будут работать эффективно, если они затупились или сильно изношены. Использование затупившегося диска приведет к повышенной нагрузке на инструмент. Имейте запасные режущие диски, чтобы у вас всегда был под рукой работоспособный инструмент.

ЗАПУСК/ОСТАНОВ ПИЛЫ

См. рис. 5.

Запуск пилы.

- Нажмите кнопку снятия блокировки.

- Нажмите курковый переключатель.

Всегда дожидайтесь, пока диск не наберет полную скорость, а затем вводите пилу в обрабатываемую деталь.

Останов пилы.

- Отпустите курковый переключатель.

Отпустив курковый переключатель, дождитесь полного прекращения вращения диска. Не снимайте пилу с обрабатываемой детали при вращении режущего диска.

КНОПКА РАЗБЛОКИРОВКИ КУРКА

См. рис. 5.

Данная кнопка уменьшает вероятность случайного запуска инструмента. Кнопка снятия блокировки расположена на рукоятке над курковым переключателем. Перед нажатием куркового переключателя следует нажать кнопку снятия блокировки. Блокировка восстанавливается каждый раз при отпускании куркового переключателя.

ПРИМЕЧАНИЕ: Кнопку снятия блокировки можно нажать как с левой, так и с правой стороны.

РЕГУЛИРОВКА ГЛУБИНЫ ОПУСКАНИЯ РЕЖУЩЕГО ДИСКА

См. рис. 6.

Всегда устанавливайте правильную глубину опускания режущего диска. Правильная глубина опускания режущего диска для всех видов резания должна превышать 6,35 мм нижней поверхности обрабатываемого материала. Большая глубина опускания диска повышает вероятность отскока а пропил может оказаться неровным. Для точности резания на тыльной части основания находится шкала.

- Ослабьте винт регулировки глубины.
- Определите требуемую глубину резания.
- Определите глубину резания по шкале (на тыльной части основания).
- Удерживая плоскость основания напротив обрабатываемой детали, поднимите или опустите пилу, пока метка на шкале не совместится с меткой на защитном устройстве режущего диска.
- Надежно затяните винт регулировки глубины.

РАБОТА С ПИЛОЙ

См. рис. 7 - 8.

Важно понять правильный прием работы с пилой. См. рисунки в данном разделе, чтобы изучить верные и неверные приемы работы с пилой.

▲ ОСТОРОЖНО

При извлечении пилы из обрабатываемой детали, диск не защищен в нижней части пилы.





Русский

Как выполнить резание наилучшим образом.

- Крепко удерживайте пилу обеими руками.
- Не помещайте руки на обрабатываемую деталь во время резания.
- Уложите обрабатываемую деталь таким образом, чтобы разрез (пропил) всегда был на вашей стороне.
- Поддерживайте обрабатываемую деталь вблизи разреза.
- Надежно закрепите обрабатываемую деталь, чтобы она не перемещалась в процессе резания.
- Всегда пилите обрабатываемую деталь, лежащую на опоре; не разрезайте деталь "на весу".
- Укладывайте обрабатываемую деталь лицевой стороной вниз.
- Проведите разметочную линию перед разрезанием.

РАЗРЕЗАНИЕ

Всегда наносите разметочную линию на разрезаемой плитке с помощью маркера или воскового карандаша. Если плитка отполирована и на ней трудно выполнить разметку, наклейте на плитку липкую ленту и сделайте отметки на ленте.

Общая проблема при резке плитки заключается в отклонении от разметочной линии. Если вы отклонились от разметочной линии, не следует пытаться силой вернуть режущий диск на линию, вращая плитку. Вместо этого, вернитесь к прежнему положению и заново начните резание плитки, отрезая небольшие куски плитки, пока режущий диск не установится в положение разметки.

Во избежание данной проблемы пользуйтесь прямой боковой направляющей всегда, когда требуется выполнить поперечное резание и резание под углом. Резание со смачиванием следует выполнять с лицевой стороны.

ПОРЯДОК РАБОТЫ С НАПРАВИТЕЛЕМ

См. рис. 9.

Направитель используется при выполнении длинных или широких срезов с помощью плиткореза.

1. Снимите аккумуляторную батарею с инструмента.
2. Установите направитель в разъемы на корпусе плиткореза.
3. Отрегулируйте направитель с учетом требуемой ширины.
4. Надежно затяните барашковый винт.

В процессе работы плотно прижмите направитель к краю обрабатываемой детали. Это позволит выполнить точный срез, не зажимая полотно. Для выполнения ровного среза направитель обрабатываемой детали должен быть ровным. Соблюдайте осторожность во избежание защемления полотна в срезе.

ТЕХНИЧЕСКОЕ ОБСЛУЖИВАНИЕ

▲ ОСТОРОЖНО

При проведении технического обслуживания используйте только рекомендованные компанией Ryobi детали. Использование других запчастей может представлять опасность или повредить изделия.

Избегайте использования растворителей во время чистки пластмассовых частей. Многие пластмассы под воздействием различных бытовых растворителей повреждаются и могут разрушиться. Для снятия грязи, масла, жира, пыли и т.д. пользуйтесь чистой тряпкой.

▲ ОСТОРОЖНО

Никогда не допускайте контакта тормозной жидкости, бензина, продуктов на нефтяной основе, пропиточного масла и т. д. с пластмассовыми частями. Эти химикаты содержат вещества, которые могут испортить, ослабить или разрушить пластмассу. Это ведет к тяжелым травмам.

Не нарушайте правил работы с электроинструментом. Злоупотребление правилами может привести к повреждению, как инструмента, так и обрабатываемого предмета.

▲ ОСТОРОЖНО

Не пытайтесь модифицировать данный инструмент или создавать вспомогательные приспособления, не рекомендуемые для использования с данным инструментом. Любые такие изменения или модификации являются злоупотреблением и могут привести к опасным ситуациям и серьезным физическим травмам.

ЗАЩИТА ОКРУЖАЮЩЕЙ СРЕДЫ



Утилизируйте как сырье, а не выбрасывайте как мусор. Машина, аксессуары и упаковка должны быть отсортированы.



УСЛОВНЫЕ ОБОЗНАЧЕНИЯ



Сигнал опасности



Соответствие требованиям CE

Знак Евразийского Соответствия
Сертификат Соответствия
№ TC RU C-DE.AE11.B.04256



Срок действия Сертификата
Соответствия По 21.09.2020
Некоммерческая организация Учреждение
сертификации и экспертизы «Сертэкс»
109044 РФ, город Москва, 3-й Крутицкий
переулок, дом 11



Украинский знак стандартизации



Применяйте средства защиты органов
зрения



Перед использованием прибора
внимательно ознакомьтесь с данной
инструкцией.



Носите средства защиты глаз, слуха и
органов дыхания.



Камень



Мрамор



Керамика



Керамика



Отработанная электротехническая
продукция должна уничтожаться вместе
с бытовыми отходами. Утилизируйте,
если имеется специальное техническое
оборудование. По вопросам утилизации
проконсультируйтесь с местным органом
власти или предприятием розничной
торговли.



Русский

Транспортировка:

Категорически не допускается падение и любые механические воздействия на упаковку при транспортировке.

При разгрузке/погрузке не допускается использование любого вида техники, работающей по принципу зажима упаковок.

Хранение:

Необходимо хранить в сухом месте.

Необходимо хранить вдали от источников повышенных температур и воздействия солнечных лучей.

При хранении необходимо избегать резкого перепада температур.

Хранение без упаковки не допускается.

Срок службы изделия:

Срок службы изделия составляет 5 лет.

Не рекомендуется к эксплуатации по истечении 5 лет хранения с даты изготовления без предварительной проверки.

Дата изготовления (код даты) отштампован на поверхности корпуса изделия.

Пример:

W17 Y2015, где Y2015 - год изготовления
W17 – неделя изготовления

Определить месяц изготовления можно согласно приведенной ниже таблице, на примере 2015 года.

Обратите внимание! Количество недель в месяце различается от года в год.

Месяц	Январь	Февраль	Март	Апрель	Май	Июнь	Июль	Август	Сентябрь	Октябрь	Ноябрь	Декабрь	Год
Неделя	01	05	09	14	18	22	27	31	36	40	44	49	2015
	02	06	10	15	19	23	28	32	37	41	45	50	
	03	07	11	16	20	24	29	33	38	42	46	51	
	04	08	12	17	21	25	30	34	39	43	47	52	
	05	09	13	18	22	26	31	35	40	44	48	53	
		14			27								





Polski

W przypadku tej piły do cięcia na mokro/sucho 18 V zwrócono szczególną uwagę na zapewnienie bezpieczeństwa, wysokiej wydajności oraz niezawodności.

PRZEZNACZENIE

Dopuszcza się użytkowanie tego produktu w celach wymienionych poniżej:

- Ciecie na mokro wzdłużne, poprzeczne i wglębne glazury, płyt chodnikowych, płyt z kamienia naturalnego.
- Do ciecienia na sucho wymienionych materiałów konieczne jest zastosowanie specjalnej tarczy tnącej (nie dostarczana).

Wiertarka jest przystosowana do współpracy wyłącznie z akumulatorami RYOBI ONE+ 18 V Li-Ion i akumulatorami RYOBI ONE+ 18 V Ni-Cd.

Szczegółowe informacje dotyczące ładowania znajdują się w instrukcji obsługi akumulatora lub ładowarki RYOBI ONE+.

⚠ OSTRZEŻENIE

Zapoznaj się ze wszystkimi zasadami bezpieczeństwa i instrukcjami. Nieprzestrzeganie instrukcji i zasad bezpieczeństwa zawartych w ostrzeżeniach grozi porażeniem prądem elektrycznym, pożarem lub poważnymi obrażeniami.

Zachowaj wszystkie ostrzeżenia i instrukcje do wykorzystania w przyszłości.

OSTRZEŻENIA BEZPIECZEŃSTWA DOTYCZĄCE PIŁY DO PŁYTEK

- Oslona dostarczona z narzędziem musi być dobrze zamocowana do elektronarzędzia i ustawiona w sposób zapewniający maksymalne bezpieczeństwo, tak aby jak najmniejsza część tarczy była niezabezpieczona. Operator ani inne osoby nie mogą znajdować się na linii obrotów tarczy. Oslona pomaga chronić operatora przed fragmentami pękniętej tarczy i przypadkowym kontaktem z tarczą.
- Z elektronarzędziem można używać diamentowych tarczy tnących. Nawet jeżeli da się zamontować jakąś przystawkę na narzędziu, nie oznacza to, że można bezpiecznie używać narzędzia z tą przystawką.
- Prędkość znamionowa przystawki powinna być równa lub większa od prędkości maksymalnej oznaczonej na narzędziu. Przystawki (akcesoria) funkcjonujące przy prędkości większej od ich prędkości znamionowej, mogą się połamać i zostać

odrzucone.

- Tarczy należy używać wyłącznie do zalecanych zastosowań. Przykładowo, nie należy szlifować boczną powierzchnią tarczy tnącej. Tarcze przeznaczone do szlifowania obwodowego; siły boczne oddziałujące na tarcze mogą spowodować ich zniszczenie.
- Należy używać wyłącznie nieuszkodzonych kołnierzy tarczy, które są przystosowane do współpracy z tarczami o odpowiedniej średnicy. Odpowiedni kołnierz tarczy podpira ją, zmniejszając ryzyko pęknięcia tarczy.
- Średnica zewnętrzna i grubość akcesoria powinny odpowiadać charakterystyce podanej dla narzędzia. Jeżeli akcesoria nie są zgodne z podaną charakterystyką, systemy zabezpieczenia i ustawiania narzędzia nie będą należycie funkcjonowały.
- Tarcza musi mieć odpowiednią średnicę i jej kołnierz musi dobrze przylegać do wrzeciona elektronarzędzia. Tarcze i kołnierze z otworami nieprzylegającymi dobrze do wrzeciona elektronarzędzia będą źle wyważone, wpadną w nadmierne wibracje i mogą spowodować utratę kontroli nad narzędziem.
- Nie wolno używać uszkodzonych tarczy. Przed każdym użyciem należy sprawdzić, czy tarcze nie są wyszczerbione lub pęknięte. W przypadku upuszczenia elektronarzędzia lub tarczy należy sprawdzić, czy urządzenie nie zostało uszkodzone lub zamontować sprawną tarczę. Po sprawdzeniu i zamontowaniu tarczy należy usunąć się oraz inne osoby z linii obrotu tarczy i uruchomić elektronarzędzie na pełnych obrotach bez obciążenia na jedną minutę. Uszkodzone tarcze podczas takiego testu z reguły rozpadną się.
- Stosować środki ochrony osobistej. W zależności od tego do czego używacie wasze narzędzie, załóżcie maskę zabezpieczającą, lub okulary zabezpieczające. W razie potrzeby, załóżcie maskę przeciwpyłową, ochronniki słuchu, rękawice i fartuch ochronny, które zabezpieczają przed odrzutem ciał obcych (opiłki, wióry, itd.). Okulary ochronne umożliwiają uniknąć skałeczenia oczu spowodowanego odrzutem odpadów. Maski przeciwpyłowe służą do filtrowania mikroskopijnych cząsteczek wydzielających się podczas wykonywanych prac. Wystawienie na wysoki poziom hałasu, może spowodować utratę słuchu.
- Wszystkie osoby wizytujące powinny nosić wyposażenie ochronne i zostawać w odpowiedniej odległości od strefy roboczej. Każdy, kto wchodzi do strefy roboczej musi nosić sprzęt ochrony osobistej. Fragmenty obrabianego materiału lub uszkodzonej tarczy mogą odskoczyć i spowodować obrażenia ciała osób znajdujących się z dala od





Polski

pracującego urządzenia.

- **Kiedy pracujecie na powierzchni mogącej skrywać przewody elektryczne, lub gdy podczas pracy przewód zasilający może być na trasie cięcia, trzymajcie narzędzie wyłącznie za izolowane i nieśliskie części.** Kontakt z przewodem pod napięciem może spowodować przepływ prądu przez metalowe elementy urządzenia i porażenie operatora.
- **Nie odkładajcie narzędzia zanim przystawka nie będzie zupełnie zatrzymana.** Obracająca się tarcza może pociągnąć obrabianą powierzchnię i użytkownik może stracić kontrolę nad elektronarzędziem.
- **Nie należy używać narzędzia podczas transportu.** Obracająca się przystawka mogłaby zostać pochwycona przez ubrania i doprowadzić do poważnego zranienia.
- **Należy regularnie czyścić szczeliny wentylacyjne narzędzia.** Wentylacja silnika wprowadza kurz do wewnątrz obudowy silnika, co może być przyczyną nadmiernej nagromadzenia cząsteczek stalowych i spowodować porażenie prądem elektrycznym.
- **Nigdy nie używajcie waszego narzędzia w pobliżu produktów łatwopalnych.** Iskry mogłyby spowodować podpalenie narzędzia.

ZJAWISKO ODBICIA I ZWIĄZANE Z NIM OSTRZEŻENIA

Odrzut polega na gwałtownym odskoku na skutek zaklinowania lub zablokowania obracającej się tarczy. Zaklinowanie lub zablokowanie powoduje gwałtowne utknięcie obracającej się tarczy, co w rezultacie powoduje niekontrolowane przesunięcie się elektronarzędzia w kierunku przeciwnym do obrotów tarczy.

Np. przytarta lub zakleszczona tarcza ścierna, której krawędź zagłębiona w szczelinie na skutek ruchu obrotowego próbuje wydostać się z zakleszczenia może odskoczyć od obrabianego przedmiotu, powodując gwałtowny odrzut elektronarzędzia. Ściernica może odskoczyć w kierunku lub z dala od operatora, w zależności od kierunku ruchu koła w punkcie zakleszczenia. W przypadku odbicia, tarcza ścierna może również się polamać.

Można go uniknąć podejmując środki ostrożności.

- **Trzymajcie mocno narzędzie dwoma rękami i ustawcie ciało i ramię tak, by móc skontrolować ewentualne odbicie. Posługujcie się uchwytem pomocniczym, jeżeli jest na wyposażeniu waszego narzędzia; zapewni to optymalną kontrolę w przypadku odbicia czy sprężenia zwrotnego podczas uruchamiania narzędzia.** Należy podjąć odpowiednie środki, by móc panować nad narzędziem w przypadku odbicia czy sprężenia zwrotnego.
- **Nie należy umieszczać ręki w pobliżu obracającego się akcesoria, celem uniknięcia poważnych**

obrażeń ciała w przypadku odrzutu. Akcesoria mogą odrzucić rękę.

- **Operator nie może znajdować się w jednej linii z obracającą się tarczą.** W przypadku odbicia, narzędzie odrzucane jest w kierunku odwrotnym do kierunku obrotów tarczy.
- **Należy zwracać szczególną uwagę przy obrabianiu kątów, ostrych krawędzi, itd.**
- **Unikać wpadnięcia w poślizg lub pochycenia akcesoria.** Przy obrabianiu kątów, ostrych krawędzi, czy wpadnięciu w poślizg narzędzia, zachodzi większe ryzyko zablokowania akcesoria, co może doprowadzić do utraty panowania nad narzędziem i odrzutu.
- **Nie wolno montować łańcucha do cięcia, frezów, segmentowej tarczy diamentowej o przerwie powyżej 10 mm ani zębatej tarczy do piłowania.** Mogłoby to spowodować ryzyko odrzutu i utratę kontroli nad narzędziem.
- **Nie wolno blokować tarczy tnącej i nie dociskać za mocno. Nie próbować ciąć materiału zbyt głęboko.** Nadmierne dociskanie tarczy zwiększa obciążenie i ryzyko skręcenia lub zakleszczenia tarczy w ciętym materiale, co może spowodować szarpnięcie lub pęknięcie tarczy.
- **Jeśli tarcza zablokuje się lub jeśli cięcie zostanie przerwane z innego powodu, należy odłączyć elektronarzędzie od źródła zasilania i przytrzymać elektronarzędzie, aż do chwili całkowitego zatrzymania. Nie wolno usiłować zdejmować obracającej się tarczy, ponieważ może dojść do odrzutu lub odskoczenia urządzenia.** Kiedy tarcza się zaklinuje, szukajcie przyczyny i podejmijcie środki zapobiegawcze, by to się już nie powtórzyło.
- **Nie wznawiać cięcia, gdy urządzenie styka się z ciętym materiałem. Należy poczekać aż tarcza nabierze pełnej prędkości i ostrożnie przyłożyć tarczę do szczeliny cięcia.** Tarcza może zaklinować się, wykonać gwałtowny ruch lub odskoczyć, jeśli elektronarzędzie zostanie uruchomione w chwili kontaktu z obiektem.
- **Podprzeć panele lub inne cięższe obrabiane obiekty, aby ograniczyć ryzyko zakleszczenia tarczy i odrzutu.** Duże obiekty mogą załamać się/ugiąć pod własnym ciężarem. Podpory muszą być umieszczone pod obrabianym materiałem blisko linii cięcia i blisko krawędzi materiału, po obu stronach tarczy.
- **Należy zachować szczególną ostrożność w przypadku wykonywania cięcia kieszeniowego w istniejących ścianach lub innych strukturach nieprzelotowych.** Wystająca tarcza może przecięć przewody instalacji gazowej lub wodnej, przewody elektryczne lub obiekty, które mogą spowodować odrzut.



Polski**DODATKOWE OSTRZEŻENIA BEZPIECZEŃSTWA**

- Gdy tarcze nie są używane, należy przechowywać je w suchym miejscu i obchodzić się z nimi ostrożnie.

AKUMULATOR — DODATKOWE OSTRZEŻENIA DOTYCZĄCE BEZPIECZEŃSTWA**▲ OSTRZEŻENIE**

Aby uniknąć niebezpieczeństwa pożaru, obrażeń lub uszkodzeń produktu na skutek zwarcia, nie wolno zanurzać narzędzia, akumulatora wymiennego ani ładowarki w cieczach i należy zatroszczyć się o to, aby do urządzeń i akumulatorów nie dostały się żadne ciecz. Zwarcie spowodować mogą korodujące lub przewodzące cieczce, takie jak woda morska, określone chemikalia i wybielacze lub produkty zawierające wybielacze.

TRANSPORTOWANIE AKUMULATORÓW LITOWYCH

Akumulatory należy transportować zgodnie z lokalnymi i krajowymi przepisami i regulacjami.

Należy postępować zgodnie z wszystkimi specjalnymi wymaganiami dotyczącymi pakowania i etykietowania akumulatorów podczas transportu przez stronę trzecią. Upewnij się, że żadne akumulatory nie zetkną się z innymi akumulatorami lub materiałami przewodzącymi podczas transportu. W tym celu należy zabezpieczyć odkryte złącza nieprzewodzącymi nakładkami izolacyjnymi lub taśmą izolacyjną. Nie należy transportować pękniętych ani nieszczelnych akumulatorów. Szczegółowe porady można uzyskać w firmie spedycyjnej.

OPIS

1. Przycisk odblokowania spustu przepustnicy
2. Przycisk blokady wrzeciona
3. Podziałka nachylenia
4. Pokrętko blokady kąta cięcia
5. Pokrętko blokady prowadnicy krawędziowej
6. Tarcza tnąca
7. Podstawa
8. Pokrętko regulacji dopływu wody
9. Przycisk zwolnienia pojemnika na wodę
10. Pojemnik na wodę
11. Pokrętko blokady głębokości
12. Miejsce na klucz do tarczy tnącej
13. Akumulator (nie dołączony)
14. Przycisk uruchamiający
15. Wewnętrzna podkładka tarczy tnącej
16. Koło

17. Zewnętrzna podkładka tarczy tnącej
18. Śruba tarczy tnącej
19. Nieprawidłowy sposób podparcia
20. Prawidłowy sposób podparcia
21. Równoległy przewodnik cięcia
22. Uchwyt, izolowana powierzchnia chwytana

MONTAŻ**MONTAŻ POJEMNIKA NA WODĘ Z ZASILANIEM GRAWITACYJNYM**

Zobacz rysunek 2.

Pojemnik na wodę z zasilaniem grawitacyjnym jest wyposażony w odpowietrzenie, ułatwiające wyrównywanie ciśnienia i swobodny przepływ wody.

- Wyjąć akumulator.
 - Wykręcić zespół dyszy.
 - Napełnić pojemnik z wodą dożądanego poziomu. Nie wlewać zbyt dużej ilości wody.
 - Założyć z powrotem zespół dyszy.
 - Trzymać pojemnik z wodą tak, aby dysza była skierowana w dół.
- UWAGA:** Woda nie będzie wydostawać się z pojemnika aż do naciśnięcia końcówki dyszy.
- Umieścić pojemnik w urządzeniu w sposób przedstawiony na rysunku. Delikatnie docisnąć pojemnik, aż do jego zatrzasknięcia na swoim miejscu.
 - Aby wyjąć pojemnik na wodę, należy nacisnąć przycisk zwolnienia pojemnika.

UWAGA: Nawet w przypadku cięcia na sucho pojemnik z wodą powinien być założony, aby uniknąć zatykania dopływu wody przez kurz i inne zanieczyszczenia.

▲ UWAGA

Pojemnik jest przeznaczony wyłącznie do wody. Użycie innego gynu grozi uszkodzeniem urządzenia.

▲ OSTRZEŻENIE

Maksymalna dopuszczalna średnica tarczy tnącej to 101,6 mm. Nie wolno stosować zbyt grubych tarcz tnących, zewnętrzna podkładka tarczy musi mieścić się na spłaszczeniu wrzeciona. Większe tarcze tnące będą kolidować z osłonami tarczy, grubsze tarcze uniemożliwią prawidłowe zabezpieczenie tarczy na wrzecionie za pomocą śruby. Obydwie sytuacje mogą być przyczyną poważnego wypadku.

Polski**⚠ OSTRZEŻENIE**

Nie używać tarcz o niższej prędkości roboczej niż prędkość robocza tego urządzenia. W przeciwnym wypadku może dojść do poważnych obrażeń. Nie używać tarcz stępionych, zdeformowanych ani pękniętych.

⚠ OSTRZEŻENIE

Nie wolno używać tarcz poszczerbionych lub rozwarstwionych. Stosować wyłącznie tarcze diamentowe o pełnym obwodzie, przeznaczone do cięcia materiałów budowlanych.

MONTAŻ TARCZY TNĄCEJ

Zobacz rysunek 3.

- Odłączyć akumulator od piły.
- Wyjąć klucz do tarczy tnącej (klucz sześciokątny 5 mm) z wnęki w urządzeniu.
- Wcisnąć przycisk blokady wrzeciona i wyjąć śrubę mocującą tarczę oraz podkładkę zewnętrzną.

UWAGA: Śrubę mocującą tarczę należy obrócić w prawo w celu jej demontażu.

⚠ UWAGA

Aby zapobiec uszkodzeniu wrzeciona lub blokady wrzeciona, należy odczekać na całkowite zatrzymanie obrotów silnika przed włączeniem blokady wrzeciona.

UWAGA: Nie wolno uruchamiać urządzenia z włączoną blokadą wrzeciona.

- Przetrzeć podkładkę wewnętrzną i zewnętrzną tarczy tnącej szmatką z odrobiną oleju, tam gdzie dotykają one tarczy.

⚠ OSTRZEŻENIE

Jeśli podkładka wewnętrzna była zdejmowana, należy ją założyć zanim zamontowana będzie tarcza tnąca. W przeciwnym wypadku tarcza nie będzie prawidłowo zamocowana, co grozi wypadkiem.

- Założyć podkładkę zewnętrzną tarczy tnącej.
- Wcisnąć przycisk blokady wrzeciona i wykręcić śrubę mocującą tarczę. Dokręcić śrubę tarczy tnącej przekręcając ją w lewo.
- Umieścić klucz tarczy tnącej na swoim miejscu w urządzeniu.

UWAGA: Nie wolno stosować zbyt grubych tarcz tnących, zewnętrzna podkładka tarczy musi mieścić się na

spłaszczeniu wrzeciona.

OBŚLUGA**⚠ OSTRZEŻENIE**

Podczas pracy zakładać maskę przeciwpyłową. W przeciwnym wypadku może dojść do poważnego zranienia.

⚠ OSTRZEŻENIE

Podczas pracy z narzędziami elektrycznymi należy koniecznie zakładać gogle lub okulary ochronne z osłonami bocznymi. W przeciwnym wypadku może dojść do uszkodzenia wzroku przez uderzenie obcym przedmiotem.

⚠ OSTRZEŻENIE

Nie wolno używać przystawek ani akcesoriów nie zalecanych przez producenta tego urządzenia. Stosowanie jakichkolwiek przystawek lub akcesoriów nie zalecanych przez producenta grozi poważnym zranieniem!

FUNKCJE ZABEZPIECZENIA AKUMULATORA

Akumulatory RYOBI 18 V Li-Ion wyposażone są w funkcje zabezpieczające ogniwa Li-Ion i pozwalające wydłużyć ich żywotność. W określonych warunkach roboczych, te wbudowane funkcje mogą powodować, że urządzenie zasilane takim akumulatorem zachowywać się będzie odmiennie niż w przypadku zasilania akumulatorem Ni-Cd.

W przypadku niektórych zastosowań, układ elektroniczny akumulatora może odłączyć zasilanie, powodując zatrzymanie pracy urządzenia. Aby zresetować baterię i ponownie uruchomić urządzenie w normalnym trybie pracy, należy zwolnić przycisk uruchamiający.

UWAGA: Aby zapobiec kolejnemu wyłączeniu akumulatora, należy unikać forsowania urządzenia.

Jeśli zwolnienie przycisku uruchamiającego nie resetuje akumulatora i urządzenia, oznacza to, że akumulator jest rozładowany. Rozładowany akumulator rozpocznij ładowanie po umieszczeniu go w ładowarce Li-Ion.

MONTAŻ AKUMULATORA

Zobacz rysunek 4.

- Umieścić akumulator w urządzeniu. Wyrównać wypust na akumulatorze z rowkiem gniazda na akumulator i wsunąć akumulator do gniazda w urządzeniu.
- Przed rozpoczęciem pracy upewnić się, że zatrzaśki



Polski

po obu stronach akumulatora trafiły na swoje miejsce w gnieździe akumulatora i akumulator jest dobrze zamocowany.

⚠ OSTRZEŻENIE

Przed przystąpieniem do montażu podzespołów, regulacji, czyszczenia lub w przypadku przerwy w użytkowaniu urządzenia należy odłączyć akumulator. Odłączenie akumulatora zapobiegnie przypadkowemu uruchomieniu urządzenia, co groziłoby poważnym zranieniem.

WYJMOWANIE AKUMULATORA

Zobacz rysunek 4.

- Aby wyjąć akumulator z urządzenia, należy nacisnąć zatrzaski po obydwu stronach akumulatora.
- Wyjąć akumulator z urządzenia.

TARCZE TNĄCE

Nawet najlepsza tarcza tnąca nie umożliwi wydajnego cięcia, jeśli jest stępiona lub zużyta. Praca tępa tarczą nadmiernie obciąża urządzenie. Należy mieć przy sobie kilka tarcz zapasowych, aby zapewnić ciągłość pracy przy użyciu ostrej tarczy tnącej.

URUCHAMIANIE/ZATRZYMYWANIE PIŁY

Zobacz rysunek 5.

Uruchamianie piły:

- Nacisnąć przycisk zwolnienia blokady.
- Nacisnąć przycisk uruchamiający.

Odczekać, aż tarcza osiągnie pełną prędkość roboczą, następnie dosunąć piłę do obrabianego przedmiotu.

Zatrzymywanie piły:

- Zwolnić przycisk uruchamiania.

Po zwolnieniu przycisku uruchamiającego, odczekać na całkowite zatrzymanie obrotów tarczy tnącej. Nie wolno wysuwać piły z obrabianego przedmiotu jeśli tarcza tnąca nadal się obraca.

PRZYCIŚK ODBLOKOWANIA SPUSTU PRZEPUSTNICY

Zobacz rysunek 5.

Przycisk zwolnienia blokady pozwala zmniejszyć ryzyko przypadkowego uruchomienia urządzenia. Przycisk zwolnienia blokady znajduje się na uchwycie, powyżej przycisku uruchamiającego. Przycisk zwolnienia blokady należy nacisnąć przed naciśnięciem przycisku uruchamiającego. Blokada zostanie włączona ponownie po zwolnieniu przycisku uruchamiającego.

UWAGA: Przycisk zwolnienia blokady można nacisnąć zarówno z lewej jak i z prawej strony.

REGULACJA GŁĘBOKOŚCI TARCZY TNĄCEJ

Zobacz rysunek 6.

Należy zawsze nastawiać odpowiednią głębokość cięcia. We wszystkich zastosowaniach, głębokość tarczy nie powinna przekraczać 6,35 mm poniżej obrabianego materiału. Zwiększenie głębokości zwiększy ryzyko odrzutu i pogorszy parametry cięcia. Dokładne ustawienie głębokości cięcia ułatwia podziałka na wsporniku tylnym.

- Poluzować pokrętko regulacji głębokości.
- Ustalić żądaną głębokość cięcia.
- Odszukać podziałkę na wsporniku tylnym.
- Przystawiając podstawę płasko do obrabianego elementu ustawić wysokość tarczy tak, aby nacięcie na ostionie tarczy było zgodne z punktem na podziałce.
- Dokręcić dokładnie pokrętko regulacji głębokości.

OBŚLUGA PIŁY

Zobacz rysunek 7 - 8.

Ważne jest, aby zrozumieć sposób obsługi tego urządzenia. Należy zapoznać się z rysunkami zamieszczonymi w tej części podręcznika, ilustrującymi nieprawidłowy i prawidłowy sposób trzymania urządzenia.

⚠ OSTRZEŻENIE

Podczas wyjmowania piły z obrabianego przedmiotu, część tarczy wystająca od spodu piły nie jest osłonięta.

Jak osiągnąć najlepsze efekty cięcia:

- Piłę trzymać mocno obiema rękami.
- Unikać możliwości dotknięcia obrabianego przedmiotu podczas jego przecinania.
- Przecinany element należy odpowiednio podeprzeć, tak, aby rżaz (linia cięcia) znajdowała się od strony operatora.
- Obrabiany element należy podeprzeć w pobliżu linii cięcia.
- Obrabiany przedmiot musi być odpowiednio zamocowany, aby nie poruszał się podczas obróbki.
- Piłę należy umieszczać na tej części obrabianego przedmiotu, która jest podparta, nie na tej która odpadnie po odcięciu.
- Obrabiany przedmiot należy umieścić „dobrą” stroną w dół.
- Przed rozpoczęciem cięcia, narysować linię wzdłuż linii cięcia.

SPOSÓB CIĘCIA

Należy pamiętać o narysowaniu pisakiem lub ołówkiem linii cięcia na przecinanej płytce. W przypadku płytek o dużym połysku lub trudnych do zaznaczenia, na płytce należy nakleić taśmę malarską i na niej narysować linię.





Polski

Częstym problemem podczas cięcia płytek jest zbaczanie z wytyczonej linii cięcia. Po zejściu z wyznaczonej linii nie można wymuszać powrotu przez naciskanie na płytkę. Należy wycofać tarczę, i rozpocząć cięcie ponownie, odcinając mały fragment płytki, aż tarcza powróci na wytyczoną linię.

Aby uniknąć tego problemu, zawsze tam, gdzie to możliwe w przypadku cięcia poprzecznego lub ukośnego, należy stosować prowadnicę. Cięcie na mokro należy wykonywać na zewnątrz pomieszczeń.

KORZYSTANIE Z PROWADNICY KRAWĘDZIOWEJ

Zobacz rysunek 9.

W trakcie wykonywania przecinarką długich lub szerokich cięć wzdłużnych należy korzystać z prowadnicy krawędziowej.

1. Odłączyć baterię od urządzenia.
2. Przeprowadzić prowadnicę krawędziową przez szczeliny w podstawie przecinarki.
3. Wyregulować prowadnicę krawędziową na wymaganą szerokość.
4. Dokładnie dokręcić śrubę motylkową.

W trakcie korzystania z prowadnicy krawędziowej dokładnie dociskać powierzchnię czołową prowadnicy krawędziowej do krawędzi ciętej płytki. Pozwoli to na wykonanie prawidłowego cięcia bez zakleszczenia ostrza. Krawędź prowadząca ciętej płytki musi być prosta, aby cięcie było proste. Dodać starań, aby zapobiec zakleszczeniu ostrza w trakcie cięcia.

KONSERWACJA

▲ OSTRZEŻENIE

Podczas konserwacji i naprawy używać wyłącznie identycznych części zamiennych firmy RYOBI. Użycie jakiegokolwiek innej części mogłoby spowodować zagrożenie lub też uszkodzić wasze narzędzie.

Nie stosować rozpuszczalników do czyszczenia elementów plastikowych. Większość plastików jest wrażliwa na rozmaite rozpuszczalniki dostępne w handlu i może ulec uszkodzeniu przez ich stosowanie. Używajcie czystej szmatki do usunięcia zabrudzeń, pyłu, oleju, smaru, itd.

▲ OSTRZEŻENIE

Nie wolno dopuścić do kontaktu plastikowych części z płynem hamulcowym, benzyną, produktami ropopochodnymi, olejami penetrującymi itp. Te produkty chemiczne zawierają substancje, które mogłyby uszkodzić, osłabić lub zniszczyć plastik, co mogłoby spowodować poważne zranienie.

Nie należy przeciążać urządzeń elektrycznych. Przeciążanie urządzenia grozi jego uszkodzeniem lub uszkodzeniem obrabianego elementu.

▲ OSTRZEŻENIE

Nie próbujcie modyfikować tego narzędzia czy też tworzyć akcesoriów, których zastosowanie z tym narzędziem nie jest zalecane. Dokonanie zmian konstrukcyjnych lub modyfikacji jest postępowaniem niezgodnym z przeznaczeniem i może być przyczyną zagrożenia bezpieczeństwa prowadzącego do poważnych obrażeń.

OCHRONA ŚRODOWISKA



Surowce należy oddawać do powtórnego przetworzenia zamiast wyrzucać je na śmieci. Z myślą o ochronie środowiska, narzędzie, akcesoria i opakowania powinny być sortowane.

SYMBOLE



Uwaga dotycząca bezpieczeństwa



Zgodność CE



Znak zgodności EurAsian



Ukraiński znak zgodności



Stosować środki ochrony wzroku



Przed uruchomieniem urządzenia prosimy uważnie przeczytać instrukcję



Polski



Stosować środki ochrony oczu, uszu i dróg oddechowych.



Kamień



Marmur



Ceramika



Porcelana



Zużyte produkty elektryczne nie powinny być utylizowane z odpadami domowymi. Prosimy poddawać recyklingowi w odpowiednich miejscach. Informacje o właściwych metodach recyklingu można uzyskać u władz lokalnych lub sprzedawcy.

Čeština

Bezpečnost, výkon a spolehlivost byli hlavní prioritou při návrhu vaší řezačky pro mokré/suché řezání obkladů a dlažeb.

ZAMÝŠLENÉ POUŽITÍ

Výrobek lze používat pro níže uvedené účely:

- Mokré přeřezávání, lištovací řezání a pokosové řezání betonových dlaždic, dlažebních kostek a dlaždic z přírodního kamene.
- Pro suché řezání výše uvedených materiálů je nutný speciální řezný kotouč (nepřibalen).

Tento výrobek spolupracuje s RYOBI ONE+ 18 V lithium-iontovými akumulátorovými moduly a RYOBI ONE+ 18 V nikl-kadmiovými akumulátorovými moduly.

Pro úplné pokyny k nabíjení viz návod k obsluze pro váš akumulátorový modul RYOBI ONE+ a modely nabíječek.

VAROVÁNÍ

Přečtěte si všechny pokyny a bezpečnostní varování. Nedodržování upozornění a těchto pokynů může vést k úrazu elektrickým proudem, ke vzniku požáru nebo vážnému zranění.

Uchovejte si všechny pokyny a varování pro budoucí nahlédnutí.

BEZPEČNOSTNÍ VAROVÁNÍ K PILE PRO ŘEZÁNÍ DLAŽDIC

- **Dodaný kryt musí být bezpečně připojen k elektrickému nástroji a umístěn pro maximální bezpečnost, tím je obsluze vystavena minimální plocha kotouče.** Polohujte sebe i přihlízející mimo oblast rotujícího kotouče. Kryt pomáhá obsluhu chránit před rozbitými fragmenty kotouče a kontaktem s kotoučem.
- **Používejte pouze diamantové řezné kotouče na vašem nástroji.** I když lze příslušenství jiných výrobců nasadit na nářadí, neznamená to, že je jeho používání bezpečné.
- **Jmenovitá rychlost příslušenství musí být stejná nebo vyšší než je maximální rychlost uvedená na nářadí.** Příslušenství, které pracuje vyšší rychlostí, než je jeho jmenovitá rychlost, se může rozlomit a vymrštit z nářadí.
- **Kotouče se smí používat pouze pro doporučená použití.** Například nebruste stranou brusného kotouče. Hrubé rozbrušovací kotouče jsou určeny pro okrajová broušení, boční síly použité na tyto kotouče mohou způsobit jejich poničení.
- **Vždy používejte nepoškozené okolky kotouče se správným průměrem pro váš zvolený kotouč.**

Správné okolky kotouče podporují kotouč, čímž snižují možnost zaseknutí kotouče.

- **Vnější průměr a tloušťka příslušenství musí odpovídat technickým údajům pro dané nářadí.** Pokud příslušenství neodpovídá technickým údajům, ochranný systém nebude pracovat správně a nářadí nebude dobře seřízené.
- **Velikost kotouče a příruba se musí vhodná na vřeten nástroje.** Kotouče a příruby, jejichž otvor je nevhodný pro nástroj, může způsobit nerovnováhu, nadměrné vibrace a dokonce ztrátu kontroly.
- **Nepoužívejte poškozené kotouče.** Před použitím prohleďte kotouč na praskliny a odlomení. V případě pádu nářadí nebo kotouče zkontrolujte, zda žádný prvek nářadí nebyl poškozen a v případě nutnosti, použijte nový kotouč. Po prohlídce a instalaci kotouče přesuňte sebe i přihlízející mimo dosah rotujícího kotouče a nechejte elektrický nástroj rozběhnout na maximální otáčky bez zatížení na jednu minutu. Poškozené kotouče se během této testovací doby zlomí.
- **Používejte osobní ochranné pomůcky.** V závislosti na používání nářadí, noste bezpečnostní nebo uzavřené ochranné brýle, nebo ochranné brýle s bočními kryty. V případě potřeby používejte protiprášný respirátor, sluchovou ochranu, ochranné rukavice a ochrannou zástěru s laclem, abyste se chránili před odlétajícími kousky obráběného materiálu (kovový prach a piliny, třísky apod.). Ochranné brýle chrání před vniknutím cizích těles do očí, které může způsobit zranění. Protiprášný respirátor filtruje částice prachu vytvářející se při práci. Dlouhodobá expozice vysokému hluku může způsobit poškození sluchu.
- **Dbejte, aby se přihlízející osoby zdržovaly v dostatečné vzdálenosti a aby byly vybaveny osobními ochrannými prostředky.** Všechny osoby vstupující na pracoviště musí používat osobní ochranné prostředky. Části obrobku nebo rozbitý kotouč mohou odlétat a mohou způsobit zranění bezprostřední oblasti použití.
- **Držte nářadí pouze za izolované části s protiskluzovou úpravou, pokud pracujete s materiálem, ve kterém mohou být elektrické kabely nebo pokud pracujete v poloze, při které by se napájecí kabel mohl dostat do trasy řezu.** Kontakt s „živým“ vodičem způsobí, že kovové části elektricky poháněného nástroje se stanou také „živými“ a způsobí elektrický úraz obsluze.
- **Nikdy nepokládejte nářadí, pokud se příslušenství ještě otáčí.** Rotující kotouč se může sevřít do materiálu a způsobit ztrátu kontroly nad nástrojem.
- **Otáčející se příslušenství by mohlo narazit na plochu, na kterou jste nářadí položili, a mohli byste ztratit kontrolu nad nářadím.** Při přenášení nářadí



Čeština

vypněte. Otáčející se příslušenství by se mohlo zachytit o váš oděv a způsobit vám závažný úraz.

- **Pravidelně čistěte větrací otvory v nářadí.** Při větrání motoru se pod kryt motoru dostává prach, proto je nutné větrací otvory pravidelně čistit, aby nedocházelo k usazování kovových částic, které by mohly způsobit úraz elektrickým proudem.
- **Nepoužívejte nářadí v blízkosti hořlavých předmětů.** Jiskřením by mohlo dojít k jejich vznícení.

ZPĚTNÝ VRH A SOUVISEJÍCÍ VAROVÁNÍ

Zpětný ráz je náhlá reakce na sevření či uvíznutí rotujícího kotouče. sevření či uvíznutí způsobí náhle zastavení rotujícího kotouče, což způsobí neovladatelnost elektrického nástroje ve směru rotace kotouče v bodě styku.

Například pokud uvízne brusný kotouč v obráběném dílu, řezná hrana kotouče se zanofí do obráběného dílu a dojde k prudké reakci kotouče, který nekontrolovaně vyskočí ze své dráhy směrem k uživateli, v závislosti na směru otáčení kotouče před jeho zablokováním. Kotouč může vyskočit buď směrem k nebo od operátora, v závislosti na směru kola hnutí v místě skřípnutí. Při zpětném rázu se brusný kotouč může zlomit.

Zpětný ráz je tudíž způsobem nesprávným používáním nářadí a/nebo nevhodným postupem při řezání, případně nevhodnými podmínkami řezání.

- **Držte nářadí pevně a postavte se tak, abyste mohli kontrolovat případný zpětný ráz nářadí.** Pokud je nářadí vybaveno pomocnou rukojetí, vždy držte nářadí oběma rukama. Tím se usnadní kontrola nad nářadím v případě zpětného rázu nebo reakčního momentu při spuštění nářadí. Při zpětném rázu nebo reakčním momentu je třeba přijmout odpovídající opatření.
- **Nikdy nepřibližujte ruce do blízkosti otáčejícího se příslušenství, abyste si nezpůsobili vážné zranění v případě zpětného rázu.** Příslušenství může odskočit zpět přes vaše ruce.
- **Nestavte své tělo do linie rotujícího kotouče.** V případě zpětného rázu je nářadí vymrštnuto opačným směrem, než je směr otáčení kotouče.
- **Postupujte opatrně při práci v rozích, při opracování ostrých hran apod.**
- **Dávejte pozor, aby se vám nářadí nevysmeklo a aby se příslušenství nezablokovalo.** Při práci v rozích a při opracování ostrých hran se zvyšuje nebezpečí vysmeknutí nářadí a zablokování příslušenství, které mají za následek ztrátu kontroly a zpětný ráz.
- **Nemontujte řetěz pily, hoblovací nůž, segmentovaný diamantový kotouč s obvodovou mezerou vyšší jak 10 mm nebo pilový ozubený kotouč.** Tyto kotouče zvyšují riziko zpětného rázu a ztráty kontroly nad nářadím.
- **„Neblokujte“ řezný kotouč ani nepoužívejte**

nadměrný tlak. Nezkoušejte se provádět nadměrně hluboké řezy. Namáhání kotouče zvyšuje zátěž a náchylnost ke stočení nebo uváznutí kotouče v řezu a možnost zpětného vrhu nebo zlomení kotouče.

- **Když kotouč uvízne, nebo když se řezání přeruší z jakéhokoliv důvodu, vypněte elektrický nástroj a držte jej nehybně v materiálu, až se kotouč zcela zastaví.** Nikdy se nepokoušejte přemísťovat řezný kotouč z místa řezání, když se kotouč pohybuje, jinak nastane zpětný vrh. Pokud kotouč uvízne v řezaném materiálu, pokuste se nalézt příčinu a proveďte nápravu, aby k zablokování kotouče již nemohlo dojít.
- **Neobnovujte řezání přímo v obrobku. Nechte kotouč dosáhnout plné rychlosti a opatrně znovu vstupte do řezaného místa.** Když je kotouč uvízlý, může z obrobku vyskočit nebo být zpětně vržen, když se znovu spustí v obrobku.
- **Podepřete velké panely nebo velké obrobky pro minimalizaci nebezpečí sevření kotouče a zpětného vržení.** Velké obrobky mají sklon se prohýbat vlastní tíhou. Podpory musí být umístěny pod obrobkem po obou stranách blízké linie řezu a blízko okrajů obrobku.
- **Buďte velmi opatrní, když děláte „zářez“ do dané zdi nebo jiných slepých oblastí.** Vycházející kotouč může přezezat potrubí vedoucí plyn či vodu, elektrické vodiče či předměty, které způsobují zpětný vrh.

DOPLŇUJÍCÍ BEZPEČNOSTNÍ VAROVÁNÍ

- Kotouče vždy po použití skladujte na suchém místě a manipulujte s nimi opatrně.

DOPLŇUJÍCÍ BEZPEČNOSTNÍ UPOZORNĚNÍ K BATERII

VAROVÁNÍ

Abyste zabránili nebezpečí požáru způsobeného zkratem, poraněním nebo poškozením výrobku, neponořujte nářadí, výměnnou baterii nebo nabíječku do kapalin a zajistěte, aby do zařízení a akumulátorů nevnikly žádné tekutiny. Korodující nebo vodivé kapaliny, jako je slaná voda, určité chemikálie a bělicí prostředky nebo výrobky, které obsahují bělidlo, mohou způsobit zkrat.

TRANSPORT LITHIOVÝCH BATERÍ

Přenos baterie dle místních a národních opatření a předpisů.

Dodržujte všechny zvláštní požadavky na balení a značení při transportu baterii třetí stranou. Zajistěte, aby



Čeština

žádné baterie nepřišly do kontaktu s jinými bateriemi nebo vodivými materiály při transportu pomocí ochrany nekrytých kontaktů prostřednictvím izolace, nevodivých krytek či lepicích pásek. Nepřepravujte prasklé nebo baterie s unikajícím elektrolytem. Ptejte se u zásilkové společnosti na další radu.

POPIS

1. Pojistka proti nechtěnému spuštění nářadí
2. Tlačítko pro aretaci vřetene
3. Stupnice pro nastavení naklopení
4. Knoflík uzamknutí pokosu
5. Knoflík uzamknutí průměrného pravítka
6. Řezný kotouč
7. Základová deska
8. Seřizovací knoflík průtoku
9. Uvolňovací tlačítko nádrže pro vodu
10. Nádrž pro vodu
11. Knoflík uzamknutí hloubky
12. Úložiště klíče kotouče
13. Akumulátorový modul (nepřibalen)
14. Spínač spouště
15. Vnitřní podložka kotouče
16. Kolo
17. Vnější podložka kotouče
18. Šroub kotouče
19. Nesprávné podpírání
20. Správné podpírání
21. Vodítko paralelního řezu
22. Rukojeť s izolací a protiskluzovým povrchem

MONTÁŽ

PŘÍPRAVA NÁDRŽE PRO VODU SE SPÁDOVÝM NAPÁJENÍM

Viz obrázek 2.

Nádrž pro vodu se spádovým napájením má vestavěný vzduchový ventil, který vyrovnává tlak a umožňuje vodě samovolně téci.

- Vyjměte akumulátorový modul.
- Odšroubujte montáž trysky.
- Doplňte nádrž do požadované úrovně. Nepřeplňujte.
- Našroubujte montáž trysky.
- Držte nádrž tak, že tryska směřuje dolů.

POZNÁMKA: Voda nebude z nádrže vytékat, pokud se špička trysky nestlačí.

- Vložte nádrž pro vodu dle vyobrazení. Zlehka tlače na nádrž, dokud nezaklapne do své polohy.
- Pro sundání nádrže pro vodu stiskněte uvolňovací tlačítko nádrže pro vodu.

POZNÁMKA: Pro suché řezání ponechte nádrž pro vodu nainstalovanu, abyste zabránili prachu a nečistotám ucpat systém napájení vodou.

⚠ POZOR

Nádrž pro vodu je navržena pouze pro vodu. Použití jakékoliv jiné kapaliny může způsobit poškození nástroje.

⚠ VAROVÁNÍ

101,6 mm kotouč je maximální kapacita kotouče pily. Nikdy také nepoužívejte kotouč, který je příliš silný, vnější podložka kotouče by jej pak nezajistila k ploše vřetena. Větší kotouče by přišly do kontaktu s krytem kotouče, zatímco silnější kotouče budou bránit šroubu kotouče v zajištění kotouče na vřeteno. Kterákoliv událost by mohla vést k vážné nehodě.

⚠ VAROVÁNÍ

Nepoužívejte řezné kotouče, které jsou dimenzovány na menší otáčky, než jsou volnoběžné otáčky tohoto nástroje. Nedodržení tohoto varování by mohlo způsobit vážné osobní poranění. Nepoužívejte kotouč s prasklinami, mezerami nebo zuby.

⚠ VAROVÁNÍ

Nepoužívejte zoubkované nebo článkované kotouče. Používejte souvisle lemované diamantové kotouče vhodné pro kamenné materiály.

INSTALACE ŘEZNÉHO KOTOUČE

Viz obrázek 3.

- Vyjměte z pily akumulátorový modul.
- Sundejte klíč kotouče (5 mm šestihranný klíč) z úložiště.
- Stiskněte tlačítko uzamknutí vřetena a sundejte šroub kotouče a vnější podložku kotouče.

POZNÁMKA: Pro sundání otáčejte šroubem kotouče ve směru otáčení hodinových ručiček.

⚠ POZOR

Abyste nepoškodili vřeteno nebo uzamčení vřetena, vždy počkejte, až se motor úplně zastaví před aktivací uzamčení vřetena.

POZNÁMKA: Nespouštějte motor pily, pokud je uzamčení vřetena aktivováno.

- Setřete olej na vnější a vnitřní podložce kotouče, kde kontaktují kotouč.

Čeština

VAROVÁNÍ

Pokud se vnitřní podložka kotouče sundá, vraťte ji před nasunutím kotouče na vřeteno. Při nedodržení tohoto požadavku byste mohli zapříčinit havárii kotoučem, který není dobře utažen.

- Nasadte vnější podložku kotouče.
- Stiskněte tlačítko uzamknutí vřetena, pak namontujte šroub kotouče. Bezpečně utáhněte šroub kotouče šroubováním proti směru otáčení hodinových ručiček.
- Vraťte klíč kotouče do úložiště.

POZNÁMKA: Nikdy nepoužívejte řezný kotouč, který je příliš silný, vnější podložka kotouče by jej pak nezajistila k ploše vřetena.

OBSLUHA

VAROVÁNÍ

Noste vždy respirátor při práci s pilou pro řezán dlaždic. Pochybení tak může způsobit vážné osobní poranění.

VAROVÁNÍ

Vždy noste bezpečnostní brýle nebo bezpečnostní brýle s postranními štítky, když obsluhujete výrobek. Pochybení tak může způsobit vniknutí cizího tělesa do očí a způsobit vážná osobní poranění.

VAROVÁNÍ

Nepoužívejte s tímto zařízením příslušenství neb doplňky, které nejsou doporučeny výrobcem. Používání doplňků a příslušenství nedoporučených výrobcem mohou způsobit vážná osobní poranění.

FUNKCE OCHRANY AKUMULÁTOROVÉHO MODULU

RYOBI 18 V lithium-iontové akumulátorové moduly jsou navrženy s funkcí, která chrání lithium-iontové články a maximalizuje životnost akumulátorového modulu. Za některých provozních podmínek tato vestavěná funkce může působit na akumulátor a nářadí je pak poháněno rozdílně od nikel-kadmiových akumulátorů.

Během některých prací může elektronika akumulátoru signalizovat vypínání a způsobit tak vyřazení akumulátoru. Pro vynulování akumulátoru a nářadí uvolněte spoušť a obnovte normální funkci.

POZNÁMKA: Pro zabránění dalšího vyřazení akumulátoru se vyhněte přetěžování nářadí.

Pokud uvolnění spouště nevyvoluje akumulátor a nářadí, je akumulátorový modul vybit. Je-li akumulátor vybit, začne se nabíjet, když se vloží na nabíječku lithium-

iontových akumulátorů.

INSTALACE AKUMULÁTOROVÉHO MODULU

Viz obrázek 4.

- Vložte do pily akumulátorový modul. Srovnějte vystouplé žebro na akumulátorovém modulu s drážkou v pile, pak nasuňte akumulátorový modul do pily.
- Zajistěte akumulátorový modul zaklapnutím blokovacích pojistek na každé straně akumulátorového modulu do své polohy a ujistěte se, že je akumulátorový modul zajištěn v pile před započetím provozu.

VAROVÁNÍ

Vždy vyndávejte z vašeho nástroje akumulátorový modul, když se montují díly, provádí seřizování, čistí, nebo když se nepoužívá. Vyndáním akumulátorového modulu předejdete náhodnému spuštění a tím možnému vážnému poranění osob.

VYNDÁNÍ AKUMULÁTOROVÉHO MODULU

Viz obrázek 4.

- Nalezněte západky po stranách akumulátorového modulu a zatlačte je pro uvolnění akumulátorového modulu z pily.
- Vyměňte z pily akumulátorový modul.

ŘEZNÝ KOTOUČ

Ani nejlepší řezné kotouče nebudou řezat účinně, pokud budou tupé či opotřebované. Používání tupého kotouče bude velmi pilu zatěžovat. Mějte náhradní kotouče po ruce, takže budete mít vždy dostupné ostré kotouče.

SPUŠTĚNÍ/ZASTAVENÍ PILY

Viz obrázek 5.

Pro spuštění pily:

- Stiskněte tlačítko zamknutí.
- Stiskněte spínač spouště.

Kotouč vždy uveďte do plné rychlosti, pak navedte pilu do obrobku.

Pro zastavení pily:

- Uvolněte spouštěcí spínač.

Po uvolnění spínače spouště nechejte kotouč zcela zastavit. Nevynávejte pilu z obrobku, když se kotouč točí.

POJISTKA PROTI NECHTĚNÉMU SPUŠTĚNÍ NÁŘADÍ

Viz obrázek 5.

Tlačítko zamknutí snižuje možnost náhodného zapnutí. Tlačítko zamknutí je umístěno na rukojeti nad spínačem spouště. Tlačítko zamknutí je třeba před stisknutím spínače spouště zatlačit. Uzamknutí se vždy vynuluje po stisknutí spouště.

POZNÁMKA: Tlačítko zamknutí můžete stisknout zleva nebo zprava.



Čeština

SEŘÍZENÍ HLOUBKY KOTOUČE

Viz obrázek 6.

Vždy udržujte správné nastavení hloubky kotouče. Správně nastavení hloubky kotouče pro všechny řezy by nemělo přesahovat 6,35 mm pod řezaným materiálem. Větší hloubka kotouče zvýší šanci zpětného vrhu a dělá řez zubatým. Pro větší přesnost hloubky řezu je umístěno pravítko na zadní svorce.

- Povolte šroub seřízení hloubky.
- Zjistěte požadovanou hloubku řezu.
- Zjistěte hloubku řezu na pravítku na zadní svorce.
- Držte základní plochu proti obrobku a zvedejte či snižujte pilu, až se značka ukazatele na svorce srovná s výstupkem na krytu kotouče.
- Bezpečně utáhněte šroub seřízení hloubky.

OBSLUHA PILY

Viz obrázek 7 - 8.

Je důležité, abyste správně pochopily způsob obsluhy pily. Podívejte se na obrázky v této části, abyste se dověděli o správném a nesprávném držení pily.

VAROVÁNÍ

Při zvedání pily z obrobku je na spodní straně pily obnažen kotouč.

Pro dosažení nejlepšího možného řezu:

- Nástroj pevně držte oběma rukama.
- Vyhýbejte se umisťování ruky na obrobek během řezání.
- Podepřete obrobek tak, aby byl řez (zářez) vždy veden při boku podpory.
- Podpírejte obrobek blízko řezu.
- Obrobek upněte bezpečně tak, že se obrobek nebude během řezání pohybovat.
- Pilu umísťujte na obrobek, který je podepřen, ne na „odřezek“.
- Obrobek umísťujte „dobrou“ stranou dolů.
- Nakreslete vodící čáru podél požadované čáry řezu před započetením řezání.

PROVÁDĚNÍ ŘEZŮ

Vždy kreslete čáru, která se má řezat na dlaždici pomocí fixy nebo voskovky. Je-li dlaždice lesklá a obtížně se na ni kreslí, umístěte na ni lepicí pásku a označte pásku.

Běžným problémem při řezání dlaždice je odbočení z vyznačené čáry. Jakmile odbočíte z čáry, nemůžete tlačít kotouč zpět na čáru natačením dlaždice. Místo toho se vraťte zpět a začněte znovu řezat dlaždici odřezáním malého kousku dlaždice, až se kotouč vrátí zpět na čáru.

Abyste se vyhnuli tomuto problému, používejte příměrné pravítko kdykoliv je to možné pro přeřezávání a pokosové řezy. Vyžaduje-li se mokré řezání, mělo by se provádět ve venkovním prostoru.

POUŽITÍ BOČNÍHO DORAZU

Viz obrázek 9.

Boční doraz použijte při provádění dlouhých nebo širokých řezů pilou.

1. Bateriový modul vyjměte z nástroje.
2. Zasuňte boční doraz do otvorů v podstavci pily.
3. Seřídte boční doraz na potřebnou šířku.
4. Pevně utáhněte křídlový šroub.

Při použití bočního dorazu přiložte čelo bočního dorazu pevně k okraji obrobku. Takto dosáhnete správného řezu bez přiskřípnutí listu pily. Hrana obrobku musí být rovná, aby byl řez rovný. Dávejte pozor, aby se list pily v řezu nezasekl.

ÚDRŽBA

VAROVÁNÍ

Pokud opravujete, používejte pouze stejné náhradní díly firmy RYOBI. Použití jakýchkoliv jiných dílů může vytvořit nebezpečí nebo způsobit poškození výrobku.

Vyhýnejte se používání rozpouštědel, když čistíte plastové díly. Mnoho plastů je citlivých na poškození různými typy komerčních rozpouštědel a mohou se poškodit při jejich použití. Používejte čisté utěrky pro odstranění nečistot, prachu, oleje, mastnoty, atd.

VAROVÁNÍ

Nikdy nenechte přijít brzdové kapaliny, petrolej, výrobky založené na petroleji, pronikavé oleje, atd. do kontaktu s plastovými součástmi. Tyto výrobky obsahují chemikálie, které mohou poškodit, oslabit nebo zničit plastové části, případně snížit jejich životnost a být příčinou úrazu.

S elektrickým nářadím hrubě nezacházejte. Špatné zacházení může poškodit nejen nářadí, ale také zpracovávaný kus.

VAROVÁNÍ

Nepokoušejte se nepokoušejte upravovat ani nevytvářejte žádné příslušenství, které není doporučeno pro toto nářadí. Jakékoliv úpravy nebo přestavby znamenají nesprávné používání, což může mít za následek nebezpečné podmínky vedoucí k vážným poraněním osob.



OCHRANA ŽIVOTNÍHO PROSTŘEDÍ



V rámci možností neodhazujte vysloužilé nářadí do domovního odpadu a upřednostněte jeho recyklaci. V souladu s předpisy na ochranu životního prostředí odkládejte vysloužilé nářadí, příslušenství i obalový materiál do tříděného odpadu.

SYMBOLY



Bezpečnostní výstraha



Shoda CE



Euroasijská značka shody



Ukrajinská značka shody



Noste ochranu očí



Před spuštěním přístroje si řádně přečtěte pokyny.



Noste ochranné prostředky pro oči a sluch a dýchací cesty.



Kámen



Mramor



Keramika



Porcelán



Odpad elektrických výrobků se nesmí likvidovat v domovním odpadu. Recyklujte prosím na sběrných místech. Ptejte se u místních úřadů nebo prodejce na postup při recyklaci.



Magyar

A 18V vizes / száraz csempevágó tervezésekor a biztonság, a teljesítmény és a megbízhatóság voltak a legfontosabb szempontok.

RENDELTETÉSSZERŰ HASZNÁLAT

A terméket az alábbi listában felsorolt műveletek végzésére használhatja:

- Csempék, burkolókövek és természetes kőből készült burkolólapok nedves keresztvágása, vágása és ferdevágása.
- A fenti anyagok száraz vágásához speciális vágótárcsa szükséges (nem tartozék).

A termék RYOBI ONE+ 18 V-os lítiumion akkumulátorokkal és RYOBI ONE+ 18 V-os nikkeldium akkumulátorokkal működik.

A feltöltésre vonatkozó teljes útmutatót a RYOBI ONE+ akkumulátorok és töltők Használati utasításában olvashatja el.

▲ FIGYELEM

Olvasa el az összes biztonsági figyelmeztetést és utasítást. A figyelmeztetések és előírások be nem tartása elektromos áramütést, tüzet és/vagy súlyos sérülést eredményezhet.

A jövőbeli felhasználásra őrizze meg az összes figyelmeztetést és útmutatót.

CSEMPEVÁGÓ BIZTONSÁGI FIGYELMEZTETÉSEK

- A géphez adott védőburkolatot biztosan kell rögzíteni a szerszámgépen, és úgy kell beállítani, hogy a maximális biztonságot nyújtsa, azaz a tárcsa lehető legkisebb része nézzen a kezelő felé. A kezelő és a bámészködök ne álljanak a tárcsa forgáscikjába. A védőburkolat megvédi a kezelőt a széttört tárcsa darabjaitól és a tárcsával való véletlen érintkezéstől.
- Csak gyémánt vágótárcsát használjon a gépen. Még ha egy tartozékot fel is lehet a szerszámra szerelni / helyezni, ez nem jelenti azt, hogy teljes biztonságban is lehetne ezt a szerszámot ily módon használni.
- A tartozék névleges sebessége (fordulatszáma) nagyobb vagy egyenlő kell hogy legyen, mint a szerszámon jelölt maximális sebesség (fordulatszám). A saját névleges sebességüknél nagyobb sebességen üzemelő tartozékok eltörtéhetnek és kidobódhatnak / kirepülhetnek a szerszámból.
- A tárcsákat csak a javasolt alkalmazásokra szabad használni. Ezért ne csiszoljon például a vágótárcsa

oldalával. A csiszoló vágótárcsák oldalirányú csiszolásra valók, ezért nagy oldalsó erőknek vannak kitéve, melyek akár a tárcsa összetörését is okozhatják.

- Mindig sérülésektől mentes tárcsarögzítő peremeket használjon, melyek átmérője megfelelő a kiválasztott tárcsához. A tárcsarögzítő peremek megtámasztják a tárcsát, így csökkentik a tárcsa eltörésének veszélyét.
- A tartozék külső átmérője és vastagsága meg kell hogy feleljen a szerszám megjelölt műszaki adatainak. Amennyiben a tartozékok nem felelnek meg a megadott adatoknak, akkor a szerszám védelmi- és beállítási rendszerei nem képesek megfelelőképp működni.
- A tárcsák és peremek középfuratának pontosan kell illeszkednie a szerszámgép tengelyére. A szerszámgép tengelyéhez nem illeszkedő központi furattal rendelkező tárcsák és peremek nem lesznek kiegyensúlyozva, ami túlzott vibrációt és az irányítás elvesztését okozhatja.
- Sérült tárcsákat ne használjon. Minden használat előtt vizsgálja meg a tárcsát repedések és csorbulás tekintetében. Ha a gép vagy a tárcsa leesett, vizsgálja meg, hogy a tárcsa nem sérült-e vagy használjon új tárcsát. A tárcsa átvizsgálása és felszerelése után Ön és a közelben tartózkodó egyéb személyek álljanak a tárcsa forgási síkján kívül, és működtesse a gépet egy percig maximális üresjáratú fordulatszámon. Ezalatt az idő alatt a sérült tárcsák általában eltörnek.
- Viseljen személyi védőfelszerelést. Aszerint, hogy mire használja a szerszámot, viseljen védőmaszkot, biztonsági- vagy védőszemüveget. Szükség esetén hordjon porvédő maszkot, hallásvédő eszközt (fülvédőt, fül dugót), kesztyűt, védőkötenyt az idegen testek (súroló darabok, faforgács stb.) becsapódása elleni védelem érdekében. A védőszemüveg lehetővé teszi, hogy a kipattogó törmelék ne sértse meg a szemet. A porvédő maszk lehetővé teszi a munkafolyamat által keltett részecskék kiszűrését. Halláskárosodást okozhat, ha erős zajnak hosszabb időn keresztül ki van téve.
- A munkát szemlélőket tartsa megfelelő távolságban a munkaterülettől és ügyeljen arra, hogy hordjanak megfelelő védőfelszerelést. Bárki beléphet a munkaterületen kell viselniük egyéni védőeszközöket. A munkadarab vagy a törött vágótárcsa darabjai a közvetlen munkaterülettől távolabbra is kirepülhetnek és sérüléseket okozhatnak.
- A gépet kizárólag a szigetelt, csúszásgátló részénél fogja, ha olyan felületen dolgozik, amelyben elektromos vezeték lehet, vagy amikor olyan munkát kell végeznie, melynek során a tápvezeték a gép útjába kerülhet. A feszültség alatt





Magyar

lévő vezetékekkel történő érintkezés során a szerszám fém alkatrészei áram alá kerülhetnek, minek következtében a kezelőt áramütés érheti.

- **Soha ne tegye le addig a szerszámot, amíg a tartozék teljesen le nem áll.** A forgó tárcsa belekaphat a felületbe és kiránthatja a gépet a kezéből.
- **Szállítás közben soha ne működtesse a szerszámot.** A forgó tartozék bekaphatja a ruháját és súlyos sérülést okozhat.
- **Rendszeresen tisztítsa a szerszám szellőzőnyílásait.** A motor légáramlása a motorház belsejébe szívja a port, ami által felhalmozódhatnak ott a fémrészcscék és ez áramütést idézhet elő.
- **Ne használja a szerszámot gyúlékony, tűzveszélyes anyagok közelében.** A szerszám által keltett szikrák meggyújthatják ezeket.

VISSZARÚGÁS ÉS AHHOZ KAPCSOLÓDÓ FIGYELMEZTETÉSEK

A visszarúgás a forgó tárcsa beakadásakor vagy beszorulásakor fellépő váratlan reakció. A beakadás vagy beszorulás a forgó tárcsa hirtelen megállását okozza, ami a gépet a beakadási pont körül a tárcsa forgásával ellentétes irányba rántja.

Például, ha egy vágótárcsa beszorul vagy elgörbül a munkadarabban, akkor a tárcsa éle beleműlyülhet a munkadarab felületébe, ami a tárcsát a munkadarabról hirtelen a szerszámot használó személy irányába ill. – a leblokkolt tárcsa forgásirányának függvényében – távolra is vetheti. A kerék akkor sem ugrik irányába, vagy távol az üzemeltető, attól függően, irány a kerék mozgását pontosan csipkedte. Megugrás esetén a vágótárcsa el is törhet.

A megugrás ily módon a szerszám nem megfelelő használatának és/vagy a helytelen használati módoknak / körülményeknek az eredménye. Néhány óvintézkedés meghozatalával ill. figyelmes betartásával azonban elkerülhető ez a veszélyes jelenség.

- **Tartsa erősen a szerszámot és oly módon pozicionálja a testét és a kezeit, hogy egy esetleges megugrást kontrollálni tudjon. Ha a szerszámon segédfogantyú van, mindig ügyeljen a fogására. Ekkor optimális kontroll alatt tartja a szerszámot egy esetleges megugrás vagy a szerszám beindítása során jelentkező ellenhatás-nyomaték esetén.** Hozza meg a szükséges intézkedéseket ahhoz, hogy uralma alatt maradjon a szerszám megugrás vagy ellenhatás-nyomaték esetén.
- **Soha ne helyezze a kezét a forgó tartozék közelébe, a súlyos testi sérülések veszélyének elkerülése érdekében.** Tartozékok kezein át.
- **Ne helyezze a testét forgó tárcsa síkjába.** Megugrás esetén a szerszám a tárcsa forgásirányával ellentétes irányba repül ki.
- **Különös figyelemmel járjon el, ha sarkokon, éles**

peremeken stb. dolgozik.

- **Kerülje a tartozék megcsúszását és beszorulását.** Amikor sarkokon, éles peremeken dolgozik, vagy megcsúszik a szerszám, akkor a tartozék blokkolásának – ily módon az uralom elvesztésnek és a szerszám megugrásának – nagyobb a veszélye.
- **Ne szereljen fel a gépre fűrészláncot, famegmunkáló korongot, 100 mm-nél nagyobb szegmensméllységgel rendelkező szegmentált gyémánttárcsát és fűrészlapot.** Az ilyen típusú tárcsák növelik a szerszám megugrásának és uralomvesztésének veszélyét.
- **Ne "csípje be" a tárcsát, és ne fejtsen ki túlzott nyomást. Ne próbálkozzon túl mélyen vágni.** A tárcsa feszítése növeli a terhelést és a tárcsa hajlamoságát a csavarodásra vagy görbülésre a vágásjáratban, valamint a visszarúgás és a tárcsa törésének veszélyét.
- **A tárcsa beakadásakor, vagy ha bármilyen okból megszakítja a vágást, kapcsolja ki a szerszámgépet, és tartsa mozdulatlanul mindaddig, amíg a tárcsa teljesen meg nem áll. Ne próbálja eltávolítani a tárcsát a vágásból, ha a tárcsa forog, máskülönben visszarúgás történhet.** Soha ne próbálja a még forgó tárcsát levenni, ez megugrást idézhet elő.
- **Ne kezdje újra a vágást a munkadarabban. Hagyja, hogy a vágótárcsa teljes fordulatszámra gyorsuljon, majd óvatosan engedje be a vágásba.** A tárcsa beakadhat, felemelkedhet vagy visszarúghat, ha a gépet a munkadarabban indítja be.
- **A paneleket és a túlméretes munkadarabokat támassza alá, hogy csökkentse a tárcsa becsípődésének és visszarúgásának kockázatát.** A nagyméretű munkadarabok a saját súlyuk alatt behajolhatnak. A támasztékokat a vágásvonal közelében, valamint a munkadarab széléhez közel is el kell helyezni a tárcsa mindkét oldalán.
- **Különös figyelemmel járjon el, ha "beszuró vágást" végez egy már meglévő falban vagy más előre nem látható területen.** A kiálló tárcsa gáz- vagy vízcsöveket, illetve elektromos vezetékeket vagy más tárgyakat vághat el, ami visszarúgást okozhat.

TOVÁBBI BIZTONSÁGI FIGYELMEZTETÉSEK

- **Használaton kívül a tárcsát száraz, zárt helyen kell tárolni és óvatosan kell kezelni.**



Magyar

ÁTOR KIEGÉSZÍTŐ BIZTONSÁGI FIGYELMEZTETÉSEI

FIGYELEM

A rövidzárlat általi tűz, sérülések vagy termékárosodások veszélye elkerülésére ne merítse a szerszámot, a cserélhető akkut vagy a töltőkészüléket folyadékokba, és gondoskodjon arról, hogy ne hatoljanak folyadékok a készülékekbe és az akkukba. A korrozív hatású vagy vezetőképes folyadékok, mint pl. a sós víz, bizonyos vegyi anyagok, fehérítők vagy fehéritő tartalmú termékek, rövidzárlatot okozhatnak.

LÍTIUM AKKUMULÁTOROK SZÁLLÍTÁSA

Az akkumulátorokat a helyi és nemzeti előírásokkal és szabályokkal összhangban szállítsa.

Az elemek külső fél általi szállításakor kövesse a csomagolásra és a címkézésre vonatkozó speciális előírásokat. Ügyeljen arra, hogy az akkumulátorok ne érhessenek más akkumulátorokhoz vagy vezető anyagokhoz szállítás közben; ehhez a szabadon maradt csatlakozókat védje szigetelő fedéllel vagy szalaggal. Ne szállítson repedt vagy szivárgó akkumulátorokat. További információért vegye fel a kapcsolatot a továbbítást végző céggel.

LEÍRÁS

1. Ravasz kireteszelő gomb
2. Főtengely gátló gomb
3. Szögmérő
4. Ferdevágás rögzítógomb
5. Szélvezető rögzítógomb
6. Vágótárcsa
7. Alaplap
8. Áramlásszabályozó gomb
9. Víztartály kioldógomb
10. Víztartály
11. Mélységrögzítő gomb
12. Tárcsa kulcsának tartója
13. Akkumulátor (nem tartozék)
14. Be - ki kapcsológomb
15. Belső tárcsaalátét
16. Kerék
17. Külső tárcsaalátét
18. Tárcsa csavarja
19. Helytelen megtámasztási mód
20. Helyes megtámasztási mód
21. Párhuzamvezető
22. Kar, szigetelt fogófelület

ÖSSZESZERELÉS

AZ EJTŐTARTÁLYOS ADAGOLÁSÚ VÍZTARTÁLY FELSZERELÉSE

Lásd 2. ábrát.

Az ejtőtartályos adagolású víztartály beépített szellőzőnyílással van felszerelve, ami kiegyenlíti a nyomást és a lehetővé teszi a víz szabadabb folyását.

- Vegye ki az akkumulátort.
- Csavarja ki a fúvókaszereléket.
- Töltse fel a víztartályt a kívánt szintig vízzel. Ne töltse túl.
- Helyezze vissza a fúvókaszereléket.
- Úgy tartsa a víztartályt, hogy a fúvóka lefelé nézzen.
MEGJEGYZÉS: A víz nem fog kifolyni a tartályból mindaddig, amíg a fúvóka hegyét meg nem nyomják.
- Az ábrán látható módon helyezze be a víztartályt. Enyhén nyomja le a víztartályt, amíg a helyére nem kattant.
- A víztartály eltávolításához nyomja be a víztartály kioldógombját.

MEGJEGYZÉS: Száraz vágáskor is hagyja fenn a víztartályt, hogy megakadályozza vízadagoló rendszer eltömődését a por és a szennyeződések miatt.

VIGYÁZAT

A víztartály csak víz tárolására alkalmas. Más folyadék használata a szerszám károsodását okozhatja.

FIGYELEM

A 101,6 mm-es tárcsa a vágó maximális tárcsakapacitását jelenti. Ne használjon olyan tárcsát, amely túl vastag ahhoz, hogy a külső tárcsaalátét beakadjon a tengely lapjába. A nagyobb méretű tárcsák érintkezhetnek a védőburkolatokkal, a vastagabb tárcsák pedig meggátolják a csavar felcsavarását a tengelyre. Bármelyik szituáció komoly balesetet eredményezhet.

FIGYELEM

Ne használjon nem megfelelő fordulatszámú vágótárcsát a szerszámon. Ezen figyelmeztetés figyelmen kívül hagyása személyi sérülést eredményezhet. Ne használjon repedezett, hézagos vagy fogazott tárcsákat.

Magyar

FIGYELEM

Ne használjon fogazott vagy szegmentált tárcsákat. Csak kőből készült anyagokhoz alkalmas folyamatosan peremezett gyémánttárcsát használjon.

A VÁGÓTÁRCSA FELSZERELÉSE

Lásd 3. ábrát.

- Vegye ki az akkumulátort a vágóból.
- Vegye ki a tárcsa kulcsát (5 mm-es imbuszkulcs) a tárolóból.
- Nyomja be a tengelyrögztítő gombot és távolítsa el a tárcsa csavarját és a külső tárcsaalátétet.

MEGJEGYZÉS: A tárcsa csavarját az óramutató járásának irányába forgatva távolíthatja el.

VIGYÁZAT

A tengely és a tengelyretesz károsodásának elkerülése érdekében mindig hagyja teljesen leállni a motort a tengelyrögztítő benyomása előtt.

MEGJEGYZÉS: Ne működtesse a vágót benyomott tengelyrögztítővel.

- Kenjen egy csepp olajat a belső és a külső tárcsaalátetre, arra az oldalra ahol a tárcsával érintkeznek.

FIGYELEM

Ha a belső tárcsaalátétet eltávolították, a vágótárcsa tengelyre való visszahelyezése előtt helyezze vissza azt. Ennek elmulasztása balesetet okozhat, mivel a tárcsa nem lesz megfelelően meghúzva.

- Helyezze vissza a külső tárcsaalátétet.
- Nyomja be a tengelyreteszelő gombot, és tegye vissza a tárcsa csavarját. Az óramutató járásával ellentétes irányba forgatva erősen húzza be a tárcsa csavarját.
- Tegye vissza a tárcsa kulcsát a tárolóhelyére.

MEGJEGYZÉS: Ne használjon olyan vágótárcsát, amelyik túl vastag ahhoz, hogy a külső tárcsaalátét beakadjon a tengely lapjába.

HASZNÁLAT

FIGYELEM

A csempevágó használatakor mindig viselj pormaszkot. Ennek elmulasztása súlyos sérülé eredményezhet.

FIGYELEM

A termék használatakor mindig viseljen védőszemüveget vagy oldalellenzővel rendelkező védősisakot. Ennek az előírásnak a be nem tartása által a felhasználó szemébe idegen test kerülhet és ez súlyos szemsérülést okozhat.

FIGYELEM

Ne használjon semmilyen a gyártó által a termékhez nem ajánlott kiegészítőt vagy tartozékot. A nem előírt alkatrész és tartozék használata súlyos sérülésekkel járó baleseteket idézhet elő.

AKKUMULÁTOR-VÉDELMI FUNKCIÓK

A RYOBI 18 V lítium-ion akkumulátorok olyan funkciókkal vannak ellátva, amik megóvják a lítium-ion cellákat és maximalizálják az akkumulátor élettartamát. Bizonyos használati körülmények fellépése esetén ezek a beépített funkciók az akkumulátor és az általa működtetett gép nikkkel-kadmium akkumulátoroknál megszokottól eltérő viselkedését okozhatják.

Bizonyos alkalmazások során az akkumulátor elektronikaája az akkumulátor kikapcsolását kezdeményezheti, ami a gép megállását okozza. Az akkumulátor és a gép visszaállításához engedje fel a kioldókapcsolót, és folytassa a normál használatot.

MEGJEGYZÉS: Az akkumulátor későbbi leállítását megelőzendő kerülje a szerszám erőltetését.

Ha a kioldókapcsoló felengedése nem állítja vissza az akkumulátort és a gépet, akkor az akkumulátor lemerült. Ha lemerült, az akkumulátor elkezd töltődni, amint a lítiumion töltőre helyezi.

AZ AKKUMULÁTOR BEHELYEZÉSE

Lásd 4. ábrát.

- Helyezze be az akkumulátort a vágóba. Az akkumulátoron található kiemelkedő bordát igazítsa a vágóban található vágathoz, majd csúsztassa be az akkumulátort a vágóba.
- A használat megkezdése előtt ellenőrizze, hogy az akkumulátor két oldalán található rögzítőfülek bepattantak a helyükre és az akkumulátor rögzítve van a vágóban.

FIGYELEM

Alkatrészek felszerelésekor, beállítások végzésekor, tisztítások vagy használaton kívül mindig vegye ki az akkumulátort a szerszámából. Az akkumulátor kivétele megakadályozza a véletlen bekapcsolódást, ami komoly személyi sérülést okozhat.



Magyar

AZ AKKUMULÁTOR KIVÉTELE

Lásd 4. ábrát.

- Keresse meg az akkumulátoron található rögzítőfüleket és nyomja be. Ezzel kioldja az akkumulátort a vágóból.
- Vegye ki az akkumulátort a vágóból.

VÁGÓTÁRCSÁK

A legjobb vágótárcsa sem fog hatékonyan vágni, ha életlen vagy nagyon elkopott. Életlen tárcsa használatakor a vágó terhelése megnövekedik. Tartson cserétárcsát a keze ügyében, hogy bármikor éles tárcsát használhasson.

A VÁGÓ BEINDÍTÁSA/LEÁLLÍTÁSA

Lásd 5. ábrát.

A vágó elindítása:

- Nyomja be kireteszelő gombot.
- Nyomja be a kioldókapcsolót.

Mindig hagyja a vágótárcsát teljes fordulatszámra gyorsulni, csak ezután vezesse be a vágót a munkadarabba.

A vágó leállítás:

- Engedje fel a kioldókapcsolót.

A kioldókapcsoló felengedése után hagyja, hogy a vágótárcsa teljesen megálljon. Ne vegye ki a vágót a munkadarabból, amíg a tárcsa forog.

RAVASZ KIRETESZELŐ GOMB

Lásd 5. ábrát.

A kireteszelő gomb meggátolja a gép véletlen beindítását. A kireteszelő gomb a fogantyún, a kioldókapcsoló felett található. A kireteszelő gombot a kioldókapcsoló meghúzása előtt be kell nyomni. A retesz a kioldó minden kiengedésekor visszaáll.

MEGJEGYZÉS: A kireteszelő gombot bal vagy jobb oldalról is benyomhatja.

A TÁRCSAMÉLYSÉG BEÁLLÍTÁSA

Lásd 6. ábrát.

Mindig a helyes tárcsamélység-beállítást alkalmazza. A helyes tárcsamélység-beállítás egyik vágás esetében sem haladhatja meg a 6,35 mm-t a vágandó anyag alatt. A nagyobb tárcsamélység növeli a visszarúgás veszélyét és a vágás szélének kitérődezését okozza. A vágás nagyobb pontosságáért érdekében egy skála található a hátsó kereten.

- Lazítsa meg a mélységbeállító gombot.
- Határozza meg a kívánt vágási mélységet.
- A hátsó kereten keresse meg a vágási mélység skálát.
- Tartsa az alapzatot a munkadarab felületéhez, és emelje fel vagy engedje le a vágót annyira, hogy a kereten lévő jelzés egybeessen a tárcsa védőburkolaton található bevágással.
- Erősen húzza meg a mélységbeállító gombot.

A VÁGÓ HASZNÁLATA

Lásd 7 - 8. ábrát.

Fontos tisztában lenni a vágó működtetésének helyes módjával. Az ebben a részben található ábrák bemutatják a vágó kezelésének helyes és helytelen módját.

FIGYELEM

A vágó a munkadarabból történő kiemelésékor, a tárcsa a vágó alsó részé szabadon marad.

A lehető legjobb vágás elérése érdekében:

- Mindkét kezével erősen tartsa a vágót.
- Kerülje el, hogy a kezeit a munkadarabra helyezze vágás közben.
- Úgy támassza meg a munkadarabot, hogy a vágás (járat) mindig Ön felé essen.
- A vágás közelében támassza meg a munkadarabot.
- Rögzítse szilárdan a munkadarabot, hogy vágás közben ne mozdulhasson el.
- A vágót mindig a munkadarab megtámasztott részére helyezze, ne a „levágandó” részre.
- A munkadarabot a „jó” oldalával lefelé helyezze el.
- A kívánt vágóvonal mentén rajzoljon egy vezetővonalat a vágás megkezdése előtt.

VÁGÁS

Egy jelölő vagy zsírkéta segítségével mindig rajolja fel a vágási vonalat. Ha a csempe fényes vagy nehezen jelölhető, helyezzen egy szalagot a csempére, és azt jelölje meg.

Csempevágáskor általános probléma, hogy eltérnek a megjelölt vonaltól. Ha eltért a vonaltól, ne a csempe elforgatásával próbálja visszaerőltetni a tárcsát a vonalra. Ehelyett menjen vissza és vágja újra a csempét egy kis darabot levágva, amíg vissza nem tér a kijelölt vonalra.

Ezen probléma elkerülése érdekében használjon szélvezetőt a kereszt- és a gérvágásokhoz, ha lehetséges. A nedves vágást a szabadban végezze.

AZ ÉLVEZETŐ HASZNÁLATA

Lásd 9. ábrát.

A fűrésszel hosszú vagy széles hasítóvágásokat csinálva használja az élvezetőt.

1. Vegye ki az akkumulátort a szerszámból.
 2. Az élvezetőt helyezze be a fűrészfű alaplapjában lévő nyílásokba.
 3. Állítsa be az élvezetőt a szükséges szélességre.
 4. Erősen húzza meg a szárnyas csavart.
- Élvezető használatakor az elejét rakja határozottan a munkadarab széléhez. Így tökéletes vágást tud készíteni a vágólap beszorítása nélkül. A munkadarab vezetőszéle



Magyar

legyen egyenes, hiszen a vágás is csak így lesz egyenes. Óvatosan vágjon, hogy a vágólap ne akadjon be.

KARBANTARTÁS

FIGYELEM

Szervizeléskor csak azonos RYOBI cserealkatrészeket használjon. Bármilyen más alkatrész használata veszélyes és a termék károsodását okozhatja.

A műanyag részek tisztításakor tartózkodjon a tisztítószeresek használatától. A legtöbb műanyag érzékeny a különböző típusú kereskedelmi oldószerekre és azok használata esetén károsodhat. Egy tiszta ruhát használjon a kosz, por, olaj, kenőzsír, stb. eltávolítására.

FIGYELEM

A műanyag részek semmilyen körülmények között nem érintkezhetnek fékolajjal, benzinnel, petróleum alapú termékekkel, beszívódó olajokkal stb. Ezek a vegyszerek olyan vegyületeket tartalmaznak, melyek megromlíthatják, meglágyíthatják vagy lebonthatják a műanyagból készült részeket, ami súlyos testi sérüléseket is okozhat.

Ne rongálja a szerszámgépet. A helytelen használat károsíthatja a szerszámot és a munkadarabot.

FIGYELEM

Ne próbálja átalakítani a szerszámot, sem pedig olyan kiegészítőket alkalmazni, amelyeknek szerszámmal való használata nem javasolt. Az ilyen módosítás vagy megváltoztatás helytelen használatnak minősül és veszélyes körülményeket eredményezhet, amelyek komoly személyi sérüléshez vezethetnek.

KÖRNYEZETVÉDELEM



Segítse elő az alapanyagok újrahasznosítását azzal, hogy nem helyezi el őket a háztartási szemétkorba. Környezetvédelmi megfontolásból az elhasznált gépet és tartozékokat, valamint a csomagolóanyagokat szelektív módon kell gyűjteni.

SZIMBÓLUMOK



Biztonsági figyelmeztetés



CE megfelelés



Eurázsiai megfelelési jelzés



Ukrainai megfelelési nyilatkozat



Viseljen szemvédőt



A gép bekapcsolása előtt figyelmesen olvassa el az útmutatót.



Viseljen szem-, fül- és légzésvédőt



Kő



Márvány



Kerámia



Porcelán



A kiselejtezett elektromos termékek nem szabad a háztartási hulladékkal együtt kidobni. Ezeket újra kell hasznosítani, ha van rá lehetőség. Az újrahasznosítással kapcsolatban érdeklődjön a helyi önkormányzatnál vagy a termék forgalmazójánál.



Română

Au fost acordate priorități maxime siguranței, funcționării și fiabilității la proiectarea ferăstrăului de tăiat plăci ceramice la uscat/umed la 18 volți.

DOMENIU DE APLICAȚII

Puteți utiliza acest produs în scopurile descrise mai jos:

- Tăierea încrucișată umedă, tăierea prin spintecare și tăierea oblică a plăcilor fabricate manual și a materialelor naturale folosite la fabricarea plăcilor de faianță.
- Pentru tăierea uscată a materialelor anterior menționate, este necesară folosirea unui disc de tăiere special (care nu este furnizat).

Acest produs va accepta acumulatori RYOBI ONE+ litiu-ion 18 V și RYOBI ONE+ nichel-cadmium 18 V.

Pentru instrucțiuni privind încărcarea completă, consultați Manualele de utilizare ale modelelor de încărcător și ale acumulatorilor RYOBI ONE+.

▲ AVERTISMENT

Citiți toate avertismentele și instrucțiunile de siguranță. Neurmarea avertizării și instrucțiunilor ar putea cauza electrocutare, incendiu și/sau vătămare gravă.

Salvați toate avertizările și instrucțiunile pentru o consultare ulterioară.

AVERTIZĂRI DE SIGURANȚĂ ALE FERĂSTRĂULUI CIRCULAR DE TĂIAT CERAMICĂ

- **Apărătoarea furnizată cu aparatul trebuie să fie atașată în siguranță la scula electrică și poziționată pentru o siguranță maximă. În așa fel încât discul să fie cât mai puțin expus în fața operatorului. Rămâneți și țineți trecătorii la distanță de planul discului rotativ.** Elementul de apărare ajută la protejarea operatorului de fragmentele de piatră sfărmată și de contactul accidental cu piatra.
- **Folosiți doar discuri diamantate pentru scula dvs electrică.** Chiar dacă un accesoriu se poate monta pe aparat, acesta nu garantează că veți putea utiliza aparatul în deplină siguranță.
- **Viteza nominală a accesoriului trebuie să fie egală sau mai mare decât viteza maximă indicată pe aparat.** Accesoriile care funcționează la o viteză mai mare decât viteza lor nominală se pot rupe și pot fi aruncate.
- **Pietrele trebuie folosite numai pentru aplicațiile recomandate. De exemplu, nu șlefuiți cu partea laterală a pietre abrazive.** Discurile abrazive de tăiere sunt destinate pentru polizarea periferică, forțele laterale aplicate asupra acestor discuri poate

provoca spargerea lor.

- **Folosiți întotdeauna flanșe de disc intacte, care sunt de diametrul corect pentru discul selectat.** Flanșele corespunzătoare sprijină piatra, reducând astfel posibilitatea sfărării pietrei.
- **Diametrul exterior al accesoriului și grosimea acestuia trebuie să corespundă caracteristicilor specificate pentru aparat.** În cazul în care accesoriile nu corespund caracteristicilor date, sistemele de protecție și de reglare ale aparatului nu vor putea funcționa corect.
- **Mărimea axului pentru discuri și a flanșei trebuie să se potrivească corespunzător axului sculei electrice.** Discurile și flanșele cu găurile axului care nu se potrivesc la ansamblului echipamentului vor funcționa fără echilibru, vor vibra excesiv și pot cauza pierderea controlului.
- **Nu folosiți discuri deteriorate. Înainte de fiecare folosire, inspecțiți discurile de ciobituri și crăpături. Dacă este scăpată pe jos scula electrică sau discurile, inspecțiți dacă e deteriorată și instalați un disc nedeteriorat.** După inspectarea și instalarea discului, poziționați-vă pe dvs și persoanele din jur ferit de planul discului rotativ și operați scula electrică la maximum, fără sarcină timp de 1 minut. Discurile deteriorate în mod normal se vor rupe în timpul perioadei de testare.
- **Purtați echipament de protecție personală. În funcție de utilizarea aparatului dumneavoastră, purtați o mască de protecție, ochelari de siguranță sau ochelari de protecție. Dacă este necesar, purtați o mască antipraf, protecții auditive, mănuși și un șorț pentru a vă proteja de proiectarea de corpuri străine (elemente abrazive, așchii de lemn, etc.).** Ochelarii de protecție vă permit să evitați ca proiecțiile de resturi să vă rănească ochii. Măștile antipraf permit filtrarea particulelor generate de operația pe o care o faceți. Expunerea prelungită la un zgomot de intensitate mare poate duce la pierderea auzului.
- **Țineți vizitatorii la o distanță suficientă de zona de lucru și asigurați-vă că aceștia poartă echipament de protecție. Oricine intră în zona de lucru trebuie să poarte echipament personal de protecție.** Fragmente ale piesei de lucru sau a discului rupt ar putea zbura și cauza vătămare dincolo de imediata vecinătate a zonei de lucru.
- **Nu țineți aparatul decât de părțile izolate și antiderapante când lucrați pe o suprafață care poate ascunde fire electrice sau când lucrarea de efectuat poate aduce cablul de alimentare pe traiectoria aparatului.** Accesoriul de tăiere ce intră în contact cu un cablu sub curent ar putea alimenta electric părțile metalice expuse ale uneltei electrice și ar putea expune operatorul la un șoc electric.
- **Nu așezați niciodată aparatul înainte ca accesoriul**





Română

să se fi oprit complet. Discul în rotire ar putea prinde suprafața și poate trage scula electrică în afara controlului dvs.

- **Nu lăsați aparatul în funcțiune când îl transportați.** Accesoriul în rotație ar putea să se agațe în îmbrăcămintea dumneavoastră și v-ar putea răni grav.
- **Curățați în mod regulat orificiile de ventilație ale aparatului.** Ventilația motorului face ca praful să pătrundă în interiorul carcasei motorului, ceea ce poate produce o acumulare excesivă de particule metalice și poate provoca șocuri electrice.
- **Nu utilizați aparatul în apropiere de produse inflamabile.** Scânteile ar risca să le aprindă.

RECURUL ȘI ALTE AVERTIZĂRI ASOCIATE

Recurul este reacția bruscă a unui disc în rotire care este strâns sau agățat. Strângerea sau agățarea discului provoacă oprirea rapidă a discului în rotire ceea ce la rândul său provoacă scula electrică scăpată de sub control să fie forțată în direcția în direcția opusă rotirii discului în punctul de gripare/blocare.

De exemplu, dacă un disc abraziv se agață sau se îndoaie în piesa de prelucrat, există riscul ca tăișul discului să intre în suprafața materialului, ceea ce va face ca discul să iasă brusc din aceasta sau să fie proiectat. Discul poate sări sau nu către din partea operatorului, în funcție de direcția de mișcare roata de la punctul de blocare. În caz de recul, discul abraziv se poate și rupe.

Recurul este deci rezultatul unei utilizări incorecte a aparatului și/sau al procedurilor sau al condițiilor de utilizare incorecte. Recurul poate fi evitat printr-o atenție deosebită acordată respectării unor precauțiuni:

- **Țineți aparatul cu putere și poziționați-vă corpul și brațele astfel încât să puteți controla un eventual recul. Dacă aparatul are un mâner auxiliar, țineți-l întotdeauna pentru a avea un control optim asupra aparatului în caz de recul sau cuplu de reacție când puneți aparatul în funcțiune.** Luați măsurile necesare pentru a putea controla aparatul în caz de recul sau de cuplu de reacție.
- **Nu vă așezați mâna niciodată în apropierea accesoriului în rotație pentru a evita orice risc de răniri corporale grave în caz de recul.** Accesoriul poate recula peste mâna dumneavoastră.
- **Nu vă poziționați corpul în linie cu discul în rotire.** În caz de recul, aparatul este proiectat în direcția opusă sensului de rotație al discului.
- **Fiți foarte atenți când lucrați pe unghiuri, muchii tăioase, etc.**
- **Evitați deraparea sau blocarea accesoriului.** Când lucrați pe unghiuri sau muchii tăioase sau când aparatul derapează, există un risc mai mare de blocare a accesoriului și deci de pierdere a controlului asupra aparatului și de provocare a unui recul.
- **Nu atșați o drujbă, un disc de tăiat lemn, un disc**

diamantat segmentat cu un spațiu periferic mai mare de 10 mm sau un disc de tăiere cu dinți. Astfel de lame măresc riscul de recul și de pierdere a controlului asupra aparatului.

- **Nu "blocați" discul sau să aplicați o forță de apăsare excesivă. Nu încercați să efectuați o adâncitură de tăiere excesivă.** Suprasolicitarea discului crește sarcina și probabilitatea răsucirii sau îndoirii discului în tăietură și posibilitatea de recul sau de spargere a discului.
- **Când discul se gripează sau când tăierea este întreruptă din orice motiv, opriți unealta electrică și țineți unealta electrică nemișcată până când discul se oprește complet. Nu încercați niciodată să îndepărtați discul din locul de tăiere în timp ce discul se învâрте căci ar putea avea loc un recul.** Dacă discul se blochează, căutați cauza și luați măsurile necesare pentru ca acest lucru să nu se mai repete.
- **Nu reporniți operația de tăiere în piesa de prelucrat. Lăsați discul să ajungă la viteza maximă și pătrundeți din nou cu atenție în tăietură.** Discul se poate gripa, poate urca sau poate provoca recul, dacă unealta electrică este repornită în piesa de prelucrat.
- **Sprînjiniți panourile sau orice piesă de prelucrat de dimensiuni mari pentru a minimiza riscul de ciupire și recul al discului.** Piese de prelucrat mari au tendința să se lase sub propria greutate. Suporturile trebuie să fie plasate sub piesa de prelucrat, lângă linia de tăiere și lângă marginea piesei de prelucrat pe ambele părți ale roții.
- **Aveți grijă când efectuați o "tăiere îngropată" în pereți sau în alte zone fără vizibilitate.** Discul proeminent poate tăia conducte de gaz sau de apă, cabluri electrice sau obiecte care pot provoca un recul.

AVERTIZĂRI SUPLIMENTARE DE SIGURANȚĂ

- Atunci când nu sunt folosite, discurile trebuie păstrate într-un loc uscat și manipulate cu atenție.

AVERTISMENTE SUPLIMENTARE PRIVIND SIGURANȚA LA UTILIZAREA BATERIILOR

⚠ AVERTISMENT

Pentru a reduce pericolul unui incendiu și evitarea rănirilor sau deteriorarea produsului în urma unui scurtcircuit nu imersați scula, acumulatorul de schimb sau încărcătorul în lichide și asigurați-vă să nu pătrundă lichide în aparate și acumulatori. Lichidele corosive sau cu conductibilitate, precum apa sărată, anumite substanțe chimice și înălbitori sau produse ce conțin înălbitori, pot provoca un scurtcircuit.





Română

TRANSPORTAREA ACUMULATORILOR PE LITIU

Transportați bateria în conformitate cu prevederile și reglementările locale și naționale.

Urmați toate cerințele speciale de pe ambalaj și etichete atunci când transportați acumulatorii la o parte terță. Asigurați-vă că în timpul transportului nicio baterie nu vine în contact cu alte baterii sau materiale conducătoare de electricitate prin protejarea bornelor expuse cu bandă sau capace izolatoare non conducătoare de electricitate. Nu transportați acumulatorii ce sunt crăpați sau au scurgeri. Verificați cu compania de transport pentru sfaturi ulterioare.

DESCRIERE

1. Butonul de deblocare a butonului de pornire
2. Buton De Blocare A Axului
3. Scală de înclinare
4. Buton rotativ de blocare a tăierii oblice
5. Buton rotativ de blocare a liniei de ghidare
6. Disc de tăiere
7. Talpă
8. Buton rotativ de reglare a fluxului de operare
9. Buton de eliberare a rezervorului de apă
10. Rezervor de apă
11. Buton rotativ de blocare a adâncimii de tăiere
12. Depozitare cheie de disc
13. Acumulator (neinclus)
14. Declanșator comutator
15. Șaiba interioară a discului
16. Roată
17. Șaiba exterioară a discului
18. Șurub inbus
19. Metodă incorectă de fixare
20. Metodă corectă de fixare
21. Ghid de tăiere paralelă
22. Mâner, suprafață de contact izolată

ASAMBLAREA

ATAȘAREA REZERVORULUI DE ALIMENTARE CU APĂ PRIN CURGERE LIBERĂ

A se vedea figura 2.

Rezervorului de alimentare cu apă prin curgere liberă dispune de un canal de aer încastrat care egalizează presiunea și permite apei să circule mai liber.

- Scoateți acumulatorul.
- Deșurubați ansamblul duzei.
- Umpleți rezervorul cu apă până la nivelul dorit. Nu umpleți excesiv.
- Înlocuiți ansamblul duzei.
- Fixați rezervorul cu apă astfel încât duza să fie orientată în jos.

NOTĂ: Apa nu va curge din rezervor, cu excepția cazului în care vârful duzei este apăsat.

- Instalați rezervorul cu apă după cum este prezentat. Apăsați ușor pe rezervor până când se înclichetează în poziție.
- Pentru a îndepărta rezervorul cu apă, apăsați butonul de eliberare al acestuia.

NOTĂ: Pentru tăierea uscată, păstrați rezervorul cu apă instalat pentru a preveni depunerea de praf și reziduuri în sistemul de alimentare cu apă.

⚠ PRECAUȚIE

Rezervorul cu apă a fost proiectat numai pentru alimentarea cu apă. Utilizarea oricărui alt lichid poate conduce la deteriorarea uneltei.

⚠ AVERTISMENT

Capacitatea maximă a discului unei mașini de tăiat este de 101,6 mm. De asemenea, nu utilizați niciodată un disc care este prea gros pentru a putea permite șabei exterioare a discului să se cupleze cu suprafața plană a axului. Discurile mai mari vor veni în contact cu protecțiile discului, în timp ce discurile mai groase vor împiedica șurubul inbus să securizeze discul de ax. Oricare dintre aceste situații poate conduce la accidente grave.

⚠ AVERTISMENT

Nu utilizați discurile de tăiere evaluate ca având o valoare mai mică decât turația la mers în gol a acestor unelte. Nerespectarea acestui avertisment poate conduce la rănirea personală. Nu utilizați discuri cu crăpături, goluri sau zimți.

⚠ AVERTISMENT

Nu utilizați discuri segmentate sau prevăzute cu zimți. Utilizați numai discuri diamantate fără asperități potrivite pentru materialele de zidărie.

INSTALAREA DISCULUI DE TĂIERE

A se vedea figura 3.

- Scoateți acumulatorul din unealtă.
- Îndepărtați cheia de disc (cheie hexagonală de 5 mm) din zona de depozitare.
- Apăsați butonul de blocare a axului și îndepărtați șurubul inbus și șaiba exterioară a discului.

NOTĂ: Răsuciiți șurubul inbus în sens invers acelor de ceasornic pentru a-l scoate.



Română

⚠ PRECAUȚIE

Pentru a preveni deteriorarea sau blocarea axului, permiteți întotdeauna motorului să se oprească înainte de a acționa blocajul axului.

NOTĂ: Nu rulați unealta cu blocajul axului apăsat.

- Ștergeți cu puțin ulei șaiba interioară și pe cea exterioară a discului, în locul în care intră în contact cu discul.

⚠ AVERTISMENT

Dacă șaiba interioară a discului a fost îndepărtată, înlocuiți-o înainte de a fixa discul de tăiere pe ax. Nerespectarea acestui lucru poate conduce la accidente, deoarece discul nu va fi fixat corespunzător.

- Înlocuiți șaiba exterioară a discului.
- Apăsați butonul de blocare a axului, apoi înlocuiți șurubul inbus. Strângeți șurubul inbus în siguranță răsucindu-l în sens invers acelor de ceasornic.
- Plasați cheia de disc înapoi în zona de depozitare.

NOTĂ: Nu utilizați niciodată un disc care este prea gros pentru a putea permite șabei exterioare a discului să se cupleze cu suprafețele plane ale axului.

OPERAREA

⚠ AVERTISMENT

Purtați întotdeauna o mască împotriva prafului atunci când operați astfel de unelte. Nerespectarea acestor indicații poate avea ca rezultat rănirea gravă.

⚠ AVERTISMENT

Purtați întotdeauna ochelari de protecție sau ochelari cu protecții laterale atunci când operați astfel de produse. Nerespectarea acestei reguli poate antrena proiectarea de corpuri străine în ochi și poate provoca răni grave.

⚠ AVERTISMENT

Nu utilizați niciun atașament sau accesoriu care nu este recomandat de producătorul acestui dispozitiv. Utilizarea de piese sau accesorii nerecomandate poate prezenta riscuri de răniri grave.

CARACTERISTICI DE PROTECȚIE A BATERIILOR

Acumulatorii Li-ion RYOBI de 18 V sunt proiectați cu caracteristici care protejează celulele de Li-ion și

maximizează durata de viață a acumulatorului. În unele condiții de operare, aceste opțiuni încorporate pot face ca acumulatorul și unealta pe care acesta o alimentează să se comporte diferit decât pe baza acumulatorilor nichel-cadmium.

În timpul unor aplicații, componentele electronice ale acumulatorului ar putea să semnalizeze acumulatorului să se oprească și să cauzeze astfel oprirea funcționării uneltei. Pentru a reseta acumulatorul și unealta, eliberați declanșatorul și reluați operarea normală.

NOTĂ: Pentru a preveni pe viitor oprirea acumulatorului, evitați forțarea uneltei.

Dacă eliberarea declanșatorului nu resetează acumulatorul și unealta, acumulatorul este descărcat. Dacă este descărcat, acumulatorul va începe să se încarce atunci când este pus pe încărcătorul litiu-ion.

INSTALAREA ACUMULATORULUI

A se vedea figura 4.

- Plasați acumulatorul în unealtă. Aliniați nervura ridicată de pe acumulator cu canelura din interiorul uneltei, apoi glisați acumulatorul în unealtă.
- Asigurați-vă că elementele de blocare de pe fiecare parte a acumulatorului s-au înclichetat în poziție și că acumulatorul este securizat în unealtă înainte de începerea utilizării.

⚠ AVERTISMENT

Atunci când asamblați piesele componente, realizați proceduri de reglare și curățare sau atunci când dispozitivul nu este în funcțiune, îndepărtați întotdeauna acumulatorul din cadrul uneltei dumneavoastră. Îndepărtarea acumulatorului previne pornirea accidentală care poate conduce la rănirea dumneavoastră gravă.

NDEPĂRTAREA ACUMULATORULUI

A se vedea figura 4.

- Identificați elementele de blocare de pe părțile laterale ale acumulatorului și apăsați-le pentru a elibera acumulatorul din unealtă.
- Scoateți acumulatorul din unealtă.

DISCURILE DE TĂIERE

Cele mai bune discuri de tăiere nu vor tăia eficient dacă sunt tocite sau foarte uzate. Utilizarea unui disc tocit va pune o mare presiune pe unealtă. Păstrați la îndemână discuri suplimentare, astfel încât să aveți permanent la dispoziție discuri ascuțite.

PORNIREA/OPRIREA UNELTEI

A se vedea figura 5.

Pentru a porni unealta:

- Apăsați butonul de blocare.



Română

■ Apăsați declanșatorul comutator.

Permiteți întotdeauna discului să atingă viteza maximă, apoi ghidați unealta în piesa de lucru.

Pentru a porni unealta:

■ Eliberați declanșatorul comutator.

După eliberarea declanșatorului comutator, permiteți discului să se oprească. Nu scoateți unealta din piesa de lucru în timp ce discul este în mișcare.

BUTONUL DE DEBLOCARE A BUTONULUI DE PORNIRE

A se vedea figura 5.

Butonul de blocare reduce posibilitatea unei porniri accidentale. Butonul de blocare este situat pe mânerul de deasupra declanșatorului comutator. Butonul de blocare trebuie apăsat înainte de a trage declanșatorul comutator. Blocajul se resetează de fiecare dată când declanșatorul este eliberat.

NOTĂ: Puteți apăsa butonul de blocare fie de pe partea dreaptă, fie de pe partea stângă.

REGLAREA ADÂNCIMII DE TĂIERE A DISCULUI

A se vedea figura 6.

Păstrați întotdeauna setarea adâncimii de tăiere a discului la valoarea corespunzătoare. Setarea corectă a adâncimii de tăiere a discului pentru toate tăieturile nu trebuie să depășească 6,35 mm sub cea a materialului ce urmează a fi tăiat. O adâncime de tăiere mai mare va amplifica posibilitatea producerii acțiunii de recul și va face ca tăietura să fie nefinisată. Pentru o mai mare precizie a adâncimii de tăiere, pe consola din spate se găsește o gradație.

- Eliberați butonul de reglare a adâncimii.
- Determinați adâncimea de tăiere dorită.
- Identificați gradația pentru adâncimea de tăiere de pe consola din spate.
- Împingeți suprafața plană a suportului înspre piesa de lucru și ridicați și coborâți unealta până când semnul indicatorului de pe consolă se aliniază cu orificiul protecției discului.
- Strângeți butonul rotativ pentru reglarea adâncimii în mod securizat.

OPERAREA MAȘINII DE TĂIAT

A se vedea figura 7 - 8.

Este importantă înțelegerea metodei corecte de operare a mașinii de tăiat. Consultați imaginile din această secțiune pentru a afla modalitățile corecte și incorecte de manipulare a acestei unelte.

A AVERTISMENT

Când ridicați unealta din piesa de lucru, discul este expus pe partea inferioară a uneltei.

Pentru a efectua cea mai bună tăietură posibilă:

- Țineți unealta ferm cu ambele mâini.
- Evitați să puneți mâna pe piesa de lucru în timpul efectuării unei tăieturi.
- Susțineți piesa de lucru astfel încât tăietura (fanta) să fie întotdeauna pe partea dumneavoastră.
- Susțineți piesa de lucru în apropierea locului de tăiere.
- Prindeți în siguranță piesa de lucru astfel încât aceasta să nu se deplaseze în timpul tăierii.
- Întotdeauna plasați unealta pe piesa de lucru care este susținută, nu pe suportul de "tăiere".
- Plasați piesa de lucru cu partea "bună" cu fața în jos.
- Trasați o linie de ghidare de-a lungul liniei dorite de tăiere înainte de a începe să tăiați.

EFFECTUAREA TĂIETURILOR

Trasați întotdeauna linia pe care va fi făcută tăietura utilizând un marker sau un creion. Dacă placa este lucioasă și greu de marcat, plasați o bandă de acoperire pe placă și marcați banda.

O problemă des întâlnită atunci când sunt tăiate plăci o constituie abaterea de la linia marcată. Dacă v-ați abătut de la marcaj, nu puteți forța discul înapoi pe linie prin răsucirea plăcii. Însă, reluați și tăiați din nou placa îndepărtând partea mică a plăcii până când discul revine pe linia dorită.

Pentru a evita această problemă, utilizați o riglă de ghidare ori de câte ori este posibil pentru a face tăieturi încrucișate sau îmbinate. Dacă se dorește tăierea umedă, această operați trebuie efectuată în aer liber.

UTILIZAREA GHIDAJULUI PENTRU MUCHIE

A se vedea figura 9.

Utilizați ghidajul pentru muchie atunci când efectuați tăieturi lungi sau fante largi cu fierăstrăul circular.

1. Scoateți pachetul de baterii din sculă.
2. Plasați ghidajul pentru muchie în sloturile din baza fierăstrăului.
3. Ajustați ghidajul la lățimea dorită.
4. Strângeți șurubul flutur de fixare.

Atunci când utilizați ghidajul pentru muchie, poziționați ferm fața ghidajului pe muchia piesei în lucru. Acest lucru ajută la efectuarea unei tăieturi curate, fără a ciupi discul de tăiere. Muchia de ghidare a piesei în lucru trebuie să fie dreaptă pentru ca tăietura dvs. Să fie și ea dreaptă. Utilizați instrumentul cu atenție, pentru a preveni griparea discului de tăiere în tăietură.



Română

ÎNTREȚINEREA

⚠ AVERTISMENT

În timpul lucrărilor de service, utilizați doar piese de schimb identice RYOBI. Utilizarea altor piese poate crea situații periculoase sau poate conduce la deteriorarea produsului.

Evitați utilizarea solvenților atunci când curățați piesele din plastic. Majoritatea materialelor plastice pot fi deteriorate de diferite tipuri de solvenți comerciali și pot fi deteriorate de utilizarea acestora. Utilizați materiale textile curate pentru a îndepărta murdăria, praful, uleiul, grăsimea etc.

⚠ AVERTISMENT

Nu lăsați niciun moment ca lichidele de frână, produsele pe bază de petrol, uleiurile penetrante etc să intre în contact cu părțile din plastic. Aceste produse chimice conțin substanțe care pot distruge, fragiliza sau deteriora plasticul.

Nu utilizați în exces uneltele electrice. Practicile abuzive pot deteriora unealta, precum și piesa de lucru.

⚠ AVERTISMENT

Nu încercați să modificați această unealtă sau să creați accesorii nerecomandate a fi utilizate cu aceasta. Orice astfel de alterare sau modificare reprezintă o utilizare necorespunzătoare și poate rezulta în crearea de condiții periculoase ce pot conduce la rănirea dumneavoastră gravă.

PROTECȚIA MEDIULUI ÎNCONJURĂTOR



Reciclați materiile prime în loc să le aruncați la gunoi, împreună cu deșeurile menajere. Pentru a proteja mediul înconjurător, mașina, accesoriile acestuia și ambalajele trebuie triate.

SIMBOLURI



Alertă de siguranță



Conformitate CE



Marcaj de conformitate EurAsian



Semn de conformitate ucrainean



Purtați echipamente de protecție a vederii



Vă rugăm citiți instrucțiunile cu atenție înainte de pornirea aparatului.



Purtați protecție pentru ochi, auz și respirație.



Piatră



Marmură



Ceramică



Porțelan



Deșeurile produselor electrice nu trebuie să fie înălțurate împreună cu deșeurile casnice. Vă rugăm reciclați acolo unde există facilități. Verificați la autoritatea dvs locală sau la vânzător pentru sfaturi privind reciclarea.



Latviski

Jūsu 18 V flīžu zāģa, kas paredzēts griešanai ar slapju vai sauso metodi, izstrādes pamatā ir darba drošība, izcils sniegums un ierīces uzticamība.

PAREDZĒTĀ LIETOŠANA

Šo produktu var izmantot šādiem nolūkiem:

- Mitrā šķērseņiskā zāģēšana, gareniskā zāģēšana un zāģēšana leņķī – ražotām flīzēm, bruņakmeņiem un dabiskā akmens flīzēm.
- Iepriekšminēto materiālu sausai zāģēšanai nepieciešama speciāla zāģripa (nav kompl.).

Šis produkts darbosies ar RYOBI ONE+ 18 V litija jonu akumulatoriem un RYOBI ONE+ 18 V niķeļa-kadmija akumulatoriem.

Skatiet pilnas lādēšanas instrukcijas sava RYOBI ONE+ akumulatora un lādētāja modeļu lietošanas rokasgrāmatas.

▲ BRĪDINĀJUMS

Izlasiet visus drošības brīdinājumus un visas instrukcijas. Brīdinājumu un instrukciju neievērošana var izraisīt elektrošoku, aizdegšanos un/vai nopietnus ievainojumus.

Visus brīdinājumus un norādījumus saglabājiet turpmākām uzziņām.

FLĪŽU ZĀĢA DROŠĪBAS BRĪDINĀJUMI

- Instrumenta komplektā iekļautajam aizsargam ir jābūt droši piestiprinātam pie elektroinstrumenta un novietotam maksimāli drošā pozīcijā, lai pret operatoru būtu vērsta pēc iespējas mazāka ripas daļa. Nostājjieties tā, lai jūs un klātesošie neatrastos rotējošā diska plaknē. Aizsargs palīdz pasargāt operatoru no salūzuša diska fragmentiem un nejaušas saskares ar disku.
- Elektroinstrumentam izmantojiet tikai dimanta griešanas ripas. Tas, ka piederumu var piestiprināt elektroinstrumentam, nenozīmē, ka tā lietošana ir droša.
- Piederuma nominālajam ātrumam jābūt vismaz vienādam vai maksimālajam, kas norādīts uz elektroinstrumenta. Piederumi, kas kustās ātrāk par nominālo ātrumu, var salūzt un lidot uz visām pusēm.
- Diskus drīkst lietot tikai tam paredzētajiem darbiem. Piemēram, neslīpējiet ar griezēdiska sāniem. Abrazīvie griezēdiski ir paredzēti papildu slīpēšanai; šiem diskiem pielikts spēks no sāniem var tos salauzt.
- Vienmēr izvēlētajam diskam lietojiet nebojātus

pareiza diametra diska atlokus. Pareizi disku atloki atbalsta disku, samazinot diska salūšanas iespēju.

- Piederuma ārējam diametram un biežumam jāatbilst elektroinstrumenta specifikācijām. Nepareiza izmēra griezēj-/slīpinstrumentus nevar atbilstoši nodrošināt un kontrolēt.
- Ripu un atloku loka izmēram ir pareizi jāatbilst elektroinstrumenta asij. Ja ripām un atlokiem ir lokveida caurumi, kas neatbilst elektroinstrumenta montāžas piederumiem, var veidoties disbalanss, pārmērīga vibrācija un kontroles zudums.
- Nelietojiet bojātas ripas. Pirms katras lietošanas pārbaudiet, vai ripām nav robu un plaisu. Ja elektroinstrumentus vai ripa nokrīt, pārbaudiet, vai tas nav bojāts vai uzstādiēt nebojātu ripu. Pēc ripas pārbaudes un uzstādīšanas gan operatoram, gan klātesošajiem ir jāattālinās no rotējošās ripas plaknes; elektroinstrumentus vienu minūti jādarbina ar maksimālo bezslodzes ātrumu. Šādas pārbaudes laikā bojātas ripas parasti salūst.
- Valkājiet individuālos aizsarglīdzekļus. Atkarībā no pielietojuma valkājiet sejas aizsargu vai aizsargbrilles. Ja nepieciešams, valkājiet putekļu masku, dzirdes aizsargus, cimdus un darba priekšautu, kas var apturēt mazus abrazīvā materiāla vai sagataves fragmentus. Acu aizsargiem jāspēj apturēt dažādu darbu radītie lidojošie gruži. Putekļu maskai vai respiratoram jāspēj filtrēt daļiņas, kas rodas attiecīgā darba gaitā. Ilgstoša atrašanās ļoti intensīvā troksnī var izraisīt dzirdes traucējumus.
- Tuvumā esošajām personām jāatrodas drošā attālumā no darba vietas. Visiem, kas tuvojas darba zonai, jāvalkā individuālie aizsarglīdzekļi. Apstrādājamās detaļas vai salūzušas ripas daļas var aizlidot tālāk par tiešo darba zonu un izraisīt traumas.
- Darbos, kuros griešanas piederums var saskarties ar slēptiem vadiem vai savu barošanas vadu, turiet instrumentu tikai aiz izolētajām satveršanas virsmām. Griezējinstrumenta saskare ar strāvu vadošajām vietām var padarīt arī atklātās metāla daļas vadošas un radīs operatoram elektrisko triecienu.
- Nenolieciet elektroinstrumentu, līdz piederums nav pilnībā apstājies. Rotējošā ripa var saķerties ar virsmu un pavilkt elektroinstrumentu, liekot zaudēt kontroli.
- Nedarbiniet elektroinstrumentu, nesot to sev blakus. Nejauša saskare ar rotējošu griezēj-/slīpinstrumentu var ieraut drēbes, pievelkot griezēj-/slīpinstrumentus pie jūsu ķermeņa.
- Regulāri tīriet elektroinstrumenta ventilācijas atveres. Motora ventilators ievilks putekļus korpusā, un pārāk liela metāla pulvera koncentrācija var izraisīt elektrisko bīstamību.
- Nelietojiet elektroinstrumentu uzliesmojošu





Latviski

materiālu tuvumā. Dzirksteles var aizdedzināt šos materiālus.

ATSITIENS UN SAISTĪTIE BRĪDINĀJUMI

Atsitiens ir pēkšņa reakcija uz rotējošās ripas iespiešanu vai aizķeršanos. Iespiešana vai aizķeršanās izraisa strauju rotējošās ripas bloķēšanos, kas savukārt izraisa nekontrolētu elektroinstrumentam piespiedu kustību virzienā, kas ir pretējs ripas rotācijas virzienam saskares punktā.

Piemēram, ja abrazīvais disks ieķeras vai iekļējas materiālā, iesprūduši diska mala var iespieties materiāla virsmā, izraisot diska izlēcšanu vai atsitienu. Disks var pārlekt uz priekšu vai prom no operatora atkarībā no diska rotācijas virziena iespiešanas vietā. Abrazīvie diski šādos apstākļos var arī salūzt.

Atsitiens rodas no elektroinstrumenta nepareizas lietošanas un/vai nepareizas darba procedūras vai apstākļiem; no tā var izvairīties, veicot pareizus drošības pasākumus:

- **Turiet elektroinstrumentu stingri un novietojiet ķermeni un rokas tā, lai tie pretotos atsitienu spēkiem.** Ja tāds ir, vienmēr izmantojiet papildu rokturi, lai palaišanas laikā nodrošinātu maksimālu kontroli pār atsitienu vai griezes reakciju. Operators var kontrolēt griezes reakciju vai atsitienu spēkus, ja ir veikti atbilstošie drošības pasākumi.
- **Nenovietojiet rokas rotējošā griezē j - / slīpinstrumenta tuvumā.** Piederums var atsīties pāri jūsu rokai.
- **Nenovietojiet savu ķermeni vienā līnijā ar rotējošo ripu.** Atsitiens virzīs instrumentu pretēji diska kustības virzienam iespiešanas punktā.
- **Esiet sevišķi uzmanīgs, kad strādājat pie stūriem, asām malām utt.**
- **Izvairieties no griezē- /slīpinstrumenta lēkāšanas un iespiešanas.** Stūriem, asām malām vai lēkāšanai ir tendence iespiest rotējošo piederumu, kas var izraisīt kontroles zaudēšanu vai atsitienu.
- **Nepiestipriniet zāga ķēdi, kokgriešanas asmeni, segmentētu dimanta ripu, kuras perifērā atstarpe pārsniedz 10 mm vai zāga asmeni ar zobiem.** Šie griezējinstrumenti rada biežus atsītenus un kontroles zaudēšanu.
- **"Neiespiediet" ripu un nespiediet pārāk stipri.** Nemēģiniet griezt pārmērīgi dziļi. Pārslogojot disku, palielinās slodze un risks, ka disks var nokļūt vērpē vai tikt saliekts, kas var izraisīt atsitienu vai diska salūšanu.
- **Ja disks ir iekļējis vai jūs kāda iemesla dēļ pārtraucat griešanu, izslēdziet elektroinstrumentu un turiet to nekustīgi, līdz disks pilnīgi apstājas.** Nekad nemēģiniet izņemt ripu no griezuma, kamēr tā kustas, jo citādi var notikt atsitiens. Izpētiēt, kādi

iemesli izraisa diska ķeršanos, un novērsiet tos.

- **Neatsāciet griešanu sagatavē.** Ļaujiet diskam sasniegt pilnu ātrumu un uzmanīgi ievietojiet iegriezumā. Disks var iekļēties, novirzīties vai dot atsitienu, ja elektroinstrumenti tiek iedarbināti sagatavē.
- **Atbalstiet jebkuru lielizmēra sagatavi, lai samazinātu diska iespiešanas un atsitienu risku.** Lielām sagatavēm ir tendence liekties zem pašu svara. Atbalsti ir jānovieto zem sagataves, tuvu griešanas līnijai un tuvu sagataves malai abās diska pusēs.
- **Īpaši uzmanieties, veicot kabatas veida griezumus ēku sienās vai citās apslēptās vietās.** Izvirzījuma disks var griezt gāzes vai ūdens caurules, elektroinstalāciju, kas var radīt pretsitieni.

PAPILDU DROŠĪBAS BRĪDINĀJUMI

- Kad instruments netiek lietots, tas jāuzglabā sausā vietā un ar to ir jārikojas uzmanīgi.

PAPILDU AKUMULATORU BLOKA DROŠĪBAS BRĪDINĀJUMI

▲ BRĪDINĀJUMS

Lai novērstu īssavienojuma izraisītu aizdegšanās, savainojumu vai produkta bojājuma risku, neiegremdējiet instrumentu, maināmo akumulatoru vai uzlādes ierīci šķidrums un rūpējieties par to, lai ierīces un akumulatoros neiekļūtu šķidrums. Koroziju izraisoši vai vadītspējīgi šķidrums, piemēram, sālsūdens, noteiktas ķīmikālijas, balinātāji vai produkti, kas satur balinātājus, var izraisīt īssavienojumu.

LITIJA AKUMULATORU PĀRVADĀŠANA

Pārvadājiet akumulatoru saskaņā ar vietējiem un valsts nosacījumiem un noteikumiem.

Ja akumulatoru pārvadāšanu veic trešā puse, ievērojiet visas īpašās prasības par iepakojšanu un marķēšanu. Transportējot nodrošiniet, lai akumulatori nesaskaras ar citiem akumulatoriem vai vadošiem materiāliem, atsegtos savienotājus aizsargājot ar izolējošiem, nevadošiem vāciņiem vai lenti. Nepārvietojiet akumulatorus, kas ir ieleplisājuši vai ar noplūdi. Konsultējieties ar pārsūtīšanas uzņēmumu.

APRAKSTS

1. Drošinātāja poga
2. Vārpstas bloķēšanas poga
3. Leņķa lineāla skala
4. Leņķa fiksators





Latviski

5. Malas vadotnes fiksators
6. Zāgripa
7. Pamatne
8. Plūsmas regulators
9. Ūdens pudeles atbrīvošanas poga
10. Ūdens pudele
11. Dzīļuma fiksators
12. Ripas uzgriežņa glabātuve
13. Akumulators (nav kompl.)
14. Slēdža mēlīte
15. Iekšējā ripas paplāksne
16. Rītenis
17. Ārējā ripas paplāksne
18. Ripas skrūve
19. Nepareizs atbalstīšanas paņēmiens
20. Pareizs atbalstīšanas paņēmiens
21. Malas vadotne
22. Rokturis, izolēta satveršanas virsma

MONTĀŽA

ŪDENS PUDELES AR GRAVITĀCIJAS PADEVI PIESTIPRINĀŠANA

Skatiet 2. attēlu.

Gravitācijas padeves ūdens pudelei ir iebūvēts ventilis, kas izlīdzina spiedienu un ļauj ūdenim plūst brīvāk.

- Atvienojiet akumulatoru.
- Izskrūvējiet sprauslas mezglu.
- Uzpildiet ūdens pudeli līdz vajadzīgajam līmenim. Neuzpildiet par daudz.
- Nomainiet sprauslas mezglu.
- Turiet ūdens pudeli tā, lai sprausla būtu vērsta uz leju.

PIEZĪME: Ūdens neizkļūs no pudeles, izņemot, ja tiek nospiests sprauslas uzgalis.

- Ievietojiet ūdens pudeli, kā parādīts attēlā. Maigi uzspiediet uz pudeles, līdz tā ar klikšķi nofiksējas savā vietā.
- Lai izņemtu ūdens pudeli, nospiediet ūdens pudeles atbrīvošanas pogu.

PIEZĪME: Veicot sauso zāģēšanu, atstājiet ūdens pudeli uzstādītu, lai putekļi un gruži nenosprosto ūdens padeves sistēmu.

⚠ UZMANĪBU

Ūdens pudele ir paredzēta tikai ūdenim. Jebkura cita šķidruma izmantošana var izraisīt instrumenta bojājumus.

⚠ BRĪDINĀJUMS

101,6 mm ir maksimālais šī zāģa ripas izmērs. Kā arī nekādā gadījumā neizmantojiet zāgripu, kas ir pārāk bieža un neļauj ārējai ripas paplāksnei saķerties ar vārpstu. Lielākas ripas saskarsies ar ripas aizsargu, bet biežākas ripas neļaus ripas skrūvei piestiprināt ripu pie vārpstas. Abas šīs situācijas var izraisīt nopietnas traumas.

⚠ BRĪDINĀJUMS

Neizmantojiet zāgripas, kuru nomināls ir mazāks par šī instrumenta apgriezieniem. Šī brīdinājuma neievērošanas gadījumā var rasties personiska trauma. Neizmantojiet ripas ar plaisām, iedobumiem vai zobiem.

⚠ BRĪDINĀJUMS

Neizmantojiet zobu vai segmentu ripas. Izmantojiet tikai gludu malu dimanta ripas, kas piemēroti būvniecības materiāliem.

ZĀGRIPAS UZSTĀDĪŠANA

Skatiet 3. attēlu.

- Atvienojiet akumulatoru no zāģa.
- Izņemiet no glabātuves ripas stienģatslēgu (5 mm).
- Nospiediet vārpstas bloķēšanas pogu un noskrūvējiet ripas skrūvi un noņemiet ārējo ripas paplāksni.

PIEZĪME: Grieziet ripas skrūvi pulksteņrādītāja virzienā, lai noskrūvētu.

⚠ UZMANĪBU

Lai izvairītos no vārpstas vai tās bloķētāja bojāšanās, ļaujiet, lai motors pilnībā apstātos, pirms ieslēgt vārpstas bloķētāju.

PIEZĪME: Nedarbiniet ripzāģi, kamēr vārpstas bloķētājs ir ieslēgts.

- Iesmērējiet eļļas pili uz ripas iekšējās un ārējās paplāksnes vietās, kur tās saskaras ar ripu.

⚠ BRĪDINĀJUMS

Ja iekšējā ripas paplāksne ir noņemta, uzlieciet to, pirms uzstādīt uz vārpstas ripu. Ja tas netiks izdarīts, pastāv traumatisma bīstamība, jo ripa netiks pareizi piestiprināta.

- Uzlieciet ārējo ripas paplāksni.
- Nospiediet vārpstas bloķēšanas pogu, pēc tam



Latviski

uzskrūvējiet ripas skrūvi. Droši pievelciet ripas skrūvi, griežot pretēji pulksteņrādītāja kustības virzienam.

- Nolieciet ripas stienratslēgu atpakaļ glabātuvē.

PIEZĪME: Nekādā gadījumā neizmantojiet zāgrīpu, kas ir pārāk bieza un nejauj ārējai ripas paplāksnei saķerties ar vārpstu.

EKSPLUATĀCIJA

▲ BRĪDINĀJUMS

Strādājot ar flīžu zāģiem vienmēr valkājiet putekļu masku. Ja tas netiek izdarīts, var rasties nopietnas traumas.

▲ BRĪDINĀJUMS

Strādājot ar produktu, obligāti valkājiet aizsargbrilles ar sānu aizsargiem. Ja tas netiek ievērots, jūsu acīs var lidot objekti, tādējādi radot nopietnas traumas.

▲ BRĪDINĀJUMS

Neizmantojiet piederumus, kas nav paredzēti lietošanai ar šo produktu. Ja tiek lietotas papildierīces vai piederumi, ko nav ieteicis ražotājs, tas var novest pie nopietnām traumām.

AKUMULATORU AIZSARDZĪBAS ĪPAŠĪBAS

RYOBI 18 V litija jonu akumulatoriem ir ietaises, kas aizsargā litija jonu elementus un maksimāli palielina akumulatoru kalpošanas mūžu. Noteiktos darba apstākļos šīs iebūvētās funkcijas var likt akumulatoram un tam pievienotajam instrumentam darboties citādi kā niķeļakadmija akumulatoriem.

Noteiktos apstākļos akumulatora elektroniskā sistēma var dot tam signālu izslēgties, kas apturēs instrumenta darbību. Lai atiestatītu akumulatoru un instrumentu, atlaidiet mēlīti un turpiniet normālu darbību.

PIEZĪME: Lai nepieļautu atkārtotu akumulatora izslēgšanos, nepārslodojiet instrumentu.

Ja, atlaižot slēdzi, netiek atiestatīts akumulators un instruments, akumulators ir izlādējies. Ja tas ir izlādējies, pēc pieslēgšanas litija jonu lādētājam sāksies akumulatora uzlāde.

AKUMULATORA UZSTĀDĪŠANA

Skatiet 4. attēlu.

- Pievienojiet akumulatoru zāģim. Savietojiet akumulatora izcilni ar zāģa gropi, pēc tam pievienojiet akumulatoru zāģim.
- Pārlecinieties, ka fiksācijas mēlītes abās akumulatora

pusēs ir pareizi nofiksētas, un akumulators pirms lietošanas ir droši nostiprināts pie zāģa.

▲ BRĪDINĀJUMS

Kad montējat kādas daļas, veicat regulēšanas darbus, veicat tīrīšanu vai nelietojat izstrādājumu, obligāti jāatvieno no izstrādājuma akumulators. Akumulatora atvienošana novērsīs nejašu iedarbināšanu, kas var izraisīt nopietnas traumas.

AKUMULATORA NOŅĒMŠANA

Skatiet 4. attēlu.

- Atrodiet mēlītes abās akumulatora pusēs un nospiediet tās abas, lai atvienotu akumulatoru no zāģa.
- Atvienojiet akumulatoru no zāģa.

ZĀGRIPAS

Pat labākās zāgripas nezāģēs efektīvi, ja tās būs trulas vai nodilušas. Trulas ripas lietošana radīs ļoti lielu slodzi uz zāģa. Glabājiet rezerves ripas, lai jums vienmēr būtu pieejamas asas ripas.

ZĀĢA IESLĒGŠANA/IZSLĒGŠANA

Skatiet 5. attēlu.

Lai ieslēgtu zāģi:

- Nospiediet drošības pogu.
- Nospiediet slēdža mēlīti.

Vienmēr atļaujiet ripai sasniegt pilnus apgriezienus un tikai tad virziet to sagatavē.

Lai izslēgtu zāģi:

- Atlaidiet slēdža mēlīti.

Pēc tam, kad esat atlaidis slēdža mēlīti, ļaujiet ripai pilnībā apstāties. Neizņemiet zāģi no sagataves, kamēr ripa kustās.

DROŠINĀTĀJA POGA

Skatiet 5. attēlu.

Drošības poga mazina nejaušas ieslēgšanas risku. Tā atrodas uz roktura virs slēdža mēlītes. Drošības poga jānospiež, pirms nospieš slēdža mēlīti. Drošības sistēma atiestatās katru reizi, kad tiek atlaista mēlīte.

PIEZĪME: Jūs varat nospiegt drošības pogu no kreisās vai labās puses.

RIPAS DZĪLUMA REGULĒŠANA

Skatiet 6. attēlu.

Vienmēr noregulējiet pareizu ripas dziļumu. Pareizs ripas dziļuma iestatījums nekādiem zāģēšanas darbiem nedrīkst pārsniegt 6,35 mm zem zāģētā materiāla. Lielāks zāģēšanas dziļums palielina atsitiena risku un padara zāģējumu rupjāku. Lai uzlabotu zāģējuma dziļuma precizitāti, uz aizmugurējā kronšteina atrodas dziļuma



Latviski

lineāls.

- Atlaidiet dziļuma regulēšanas pogu.
- Nosakiet vajadzīgo zāģējuma dziļumu.
- Nosakiet zāģējuma dziļumu uz aizmugurējā kronšteina lineāla.
- Novietojiet pamatni plakaniski uz sagataves un paceliet vai nolaidiet zāģi, līdz atzīme uz kronšteina atrodas pret atzīmi uz ripas aizsarga.
- Pievelciet dziļuma regulēšanas fiksatoru.

ZĀĢA EKSPLUATĀCIJA

Skatiet 7 - 8. attēlu.

Svarīgi izprast, kā pareizi lietot zāģi. Apskatiet šīs sadaļas attēlus, lai izprastu, kā pareizi un nepareizi rīkoties ar zāģi.

▲ BRĪDINĀJUMS

Kad paceļat zāģi no sagataves, ripa zāģa apakšpusē ir atsegta.

Lai zāģējums būtu pēc iespējas kvalitatīvs:

- Turiet zāģi stingri abās rokās.
- Izvairieties no rokas likšanas uz sagataves zāģēšanas laikā.
- Atbalstiet sagatavi tā, lai atgriezums vienmēr atrastos jūsu pusē.
- Atbalstiet sagatavi griezuma vietas tuvumā.
- Droši piestipriniet sagatavi ar spīlēm, lai zāģēšanas laikā tā neizkustētos.
- Vienmēr novietojiet zāģi uz atbalstītās sagataves, nevis uz nozāģētās daļas.
- Novietojiet sagatavi ar „smuko” pusi uz leju.
- Pirms zāģēšanas atzīmējiet vēlamo zāģējuma trajektoriju ar līniju.

GRIEZUMU VEIKŠANA

Vienmēr uz flīzes uzzīmējiet griešanas līniju, izmantojot marķieri vai smērvielas zīmuli. Ja flīze ir spīdīga un grūti marķējama, pielīmējiet pie flīzes līmlenti un veidojiet uz tās marķējumu.

Vispārēja problēma, kad griezamā flīze novirzās no atzīmētās līnijas. Ja esat novirzījies no atzīmes, nav iespējas atgriezt ripu atpakaļ pie atzīmes, sagriežot flīzi. Tā vietā pavelciet zāģi atpakaļ un zāģējiet no jauna, nozāģējot nelielu gabaliņu flīzes, līdz zāģējums atkal atbilst atzīmei.

Lai izvairītos no šīs problēmas, pēc iespējas izmantojiet taisnas malas vadotni, veicot šķērszāģējumus un garenzāģējumus. Ja vēlams veikt mitro zāģēšanu, tā jāveic ārā.

MALAS VADOTNES IZMANTOŠANA

Skatiet 9. attēlu.

Izmantojiet malas vadotni, veicot ar zāģi garus vai platus taisnus griezumus.

1. Izņemiet akumulatoru no instrumenta.
2. Ievietojiet malas vadotnes caur atverēm zāģa pamatnē.
3. Pielāgojiet malas vadotni nepieciešamajā platumā.
4. Kārtīgi pievelciet spārnu skrūvi.

Izmantojot malas vadotni novietojiet malu vadotnes plakni cieši pret griezamās flīzes malu. Tas atvieglo pilnīgu griezumu bez asmens iespiešanas. Apstrādājamā materiāla malai jābūt taisnai, lai izdotos taisns griezumus. Ievērojiet piesardzību, lai izvairītos no asmens iekļīšanās griezuma spraugā.

APKOPE

▲ BRĪDINĀJUMS

Veicot apkopi, izmantojiet tikai oriģinālās RYOBI rezerves daļas. Jebkādi citu detaļu izmantošana var izraisīt bīstamību vai produkta bojājumus.

Tirot plastmasas daļas, izvairieties no šķīdinātāju lietošanas. Vairums plastmasu bojājas no pārdošanā pieejamo šķīdinātāju iedarbības. Izmantojiet tīru drānu, lai notīrītu netīrumus, putekļus, eļļu, ziežvielas utt.

▲ BRĪDINĀJUMS

Nekādā gadījumā plastmasas daļām neļaujiet nonākt saskarē ar bremžu šķidrums, benzīnu, naftas izstrādājumiem, eļļām ar paaugstinātu mitrināšanas spēju utt. Ķīmikālijas var sabojāt, novājināt vai iznīcināt plastmasu, kas var izraisīt nopietnas personīgās traumas.

Apejieties ar elektroinstrumentiem pareizi. Nepareiza apiešanās ar elektroinstrumentiem var bojāt instrumentu, kā arī sagatavi.

▲ BRĪDINĀJUMS

Nemēģiniet modificēt šo instrumentu vai izveidot piederumus, kas nav paredzēti lietošanai ar šo rīku. Jebkādas šādas izmaiņas vai modifikācijas ir lietošanas noteikumu pārkāpums, kas var radīt nopietnu traumu risku.



Latviski

VIDES AIZSARDZĪBA



Tā vietā, lai izejmateriālus izmestu atkritumos, nododiet tos otrreizējai pārstrādei. Mašīna, aksesuāri un iepakojums ir jāsašķiro un jānodod videi draudzīgā atkārtotas pārstrādes vietā.

APZĪMĒJUMI



Drošības brīdinājums



CE atbilstība



EurAsian atbilstības marķējums



Ukrainas apstiprinājuma zīme



Valkājiet acu aizsarglīdzekļus



Pirms iedarbināt mašīnu, lūdzu rūpīgi izlasiet instrukcijas.



Lietojiet acu, dzirdes un elpceļu aizsarglīdzekļus.



Akmens



Marmors



Keramiskā



Porcelāns



Izlietotie elektroprodukti nedrīkst tikt izmesti kopā ar mājāsaimniecības atkritumiem. Lūdzu, nododiet tos attiecīgajās atkārtošanas vietās. Sazinieties ar savu vietējo varas pārstāvi vai izplatītāju, lai noskaidrotu, kur iespējama atkārtota pārstrāde.

Lietuviškai

Projektuojant 18 V plytelių pjovimo drėgnuoju / sausuju būdu pjūklą, aukščiausias prioritetas suteiktas saugai, eksploatacinėms savybėms ir patikimumui.

NAUDOJIMO PASKIRTIS

Šį įrankį galima naudoti šiems tikslams:

- Kryžminiam pjovimui šlapiu būdu, išilginiam pjovimui, rankų darbo plytelių, akmens plytelių, natūralaus akmens plytelių pjovimui įstrižiniu būdu.

- Aukščiau nurodytų medžiagų pjovimui sausu būdu būtina naudoti specialų pjovimo diską (nepriedamas).

Šiam produktui tinka „RYOBI ONE+“ 18 V ličio – jonų ir „RYOBI ONE+“ 18 V nikelio – kadmio baterijų paketai.

Visos įkrovimo instrukcijos pateikiamos „RYOBI ONE+“ baterijos paketo ir įkroviklio modelių vadovuose.

⚠ ĮSPĖJIMAS

Perskaitykite visus saugos įspėjimus ir visą instrukciją. Įspėjimų ir instrukcijų nesilaikymas gali sukelti elektros smūgį, gaisrą ir (ar) sunkius sužeidimus.

Kad tinkamai naudotumėte įrankį, žr. visus perspėjimus ir nurodymus.

PJŪKLO SAUGOS NURODYMAI

- Kad būtų kuo saugiau dirbti, įrankio komplekte esantį apsauginį įrenginį reikia gerai ir tinkamai pritvirtinti prie elektrinio įrankio, kad į dirbantį asmenį būtų atidengta kuo mažiau ratuko. Patys stovėkite ir stebėkite, kad pašaliniai asmenys būtų toliau nuo besisukančio disko plokštumos. Apsauginis gaubtas apsaugo operatorių nuo atskilusių nuo disko dalelių ir atsitiktinio prisilietimo prie disko.
- Į savo įrankį dėkite tik deimantinius nupjovimo ratukus. Vien tik tai, kad priedą galima pritvirtinti prie Jūsų elektrinio įrankio, saugaus darbo neužtikrina.
- Priedo nustatytas greitis turi būti lygus bent didžiausiam greičiui, pažymėtam ant elektrinio įrankio. Priedai, kurie sukasi didesniu nei jų nustatytu greičiu, gali sulūžti, atsiskirti ir skrieti į šonus.
- Diskus galima naudoti tik rekomenduojamiems darbams atlikti. Pavyzdžiui, nešlifaukite nupjovimo disko šonu. Abrazyviniai nupjovimo diskai yra skirti periferiniam šlifavimui, dėl šiuos diskus veikiančių šoninių jėgų, jie gali sulūžti.
- Visada naudokite nepažeistas diskų junges, teisingo skersmens jūsų pasirinktam diskui. Tinkamos diskų jungės atremia diską, dėl to sumažėja disko sulūžimo tikimybė.
- Priedo išorinis skersmuo ir storis turi būti Jūsų

įrankio nustatytos galios ribose. Neteisingo dydžio priedų atitinkamai apsaugoti ar suvaldyti neįmanoma.

- **Ratukų ir jungių lenkta dalis turi tinkamai priglusti prie elektrinio įrankio veleno.** Ratukai ir jungės su lenktomis angomis, kurios neatitinka elektrinio įrankio montavimo dalių, neišlaikys pusiausvyros, per stipriai vibruos ir įrankis gali tapti nevaldomas.
- **Nenaudokite pakenktų ratukų.** Prieš naudodami, būtinai patikrinkite, ar ratukai neapdaužyti ir neįtrūkė. Elektrinį įrankį ar ratuką numetus, patikrinkite, ar ratukas nepakenktas arba įmontuokite nepakenktą. Apžiūrėję ir įmontavę ratuką, dirbantieji šiuo įrankiu bei geta esantieji asmenys turi atsistoti atokiau nuo besisukančio ratuko plokštumos ir vieną minutę paleisti elektrinį įrankį veikti maksimaliu greičiu be apkrovos. Pakenkti ratukai paprastai suskyla per šį patikros laiką.
- **Dėvėkite asmenines apsaugos priemones.** Priklausomai nuo darbo paskirties, naudokite veido kaukę, apsauginius didesnius akinius ar saugos akinius. Jei taikytina, dėvėkite kaukę nuo dulkių, ausų apsaugą, pirštines ir darbinę prijuostę, atlaikančią mažas, šlifavimo metu susidariusias ar nuo ruošinio daleles. Apsauginiai akiniai turi apsaugoti akis, kad į jas nepatektų įvairaus darbo operacijų metu skriejančių dalelių. Kaukė nuo dulkių ar dujų kaukė turi filtruoti darbo metu susidariusias daleles. Dėl neapsaugotų ausų nuo didelio triukšmo ilgesnį laiką, galite klausą prarasti.
- **Įsitikinkite, kad atstumas tarp įrankio ir pašalinių asmenų yra saugus.** Visi asmenys, esantys darbo zonoje, privalo dėvėti asmenines apsaugos priemones. Ruošinio ar suskilusio ratuko fragmentai gali pasklisti ore ir sužeisti žmones arti prie veikiančio įrankio.
- **Elektrinį įrankį laikykite tik izoliavę sukibimo paviršius, kad darbo metu pjovimo įrankio priedas nesusilietų su paslėptais laidais ar paties šlifuko laidu.** Pjovimo metu priedas, prisilietęs prie laido, prijungto prie maitinimo šaltinio, gali aktyvuoti metalines elektrinio įrankio detales ir sukelti operatoriui elektros smūgį.
- **Niekada nedėkite įrankio žemyn, kol jo priedas visiškai nesustojo.** Besisukantis ratukas gali staiga paliesti paviršių ir dėl to elektrinis įrenginys gali tapti nevaldomas.
- **Elektrinį prietaisą nešdami šone, prieš tai jį išjunkite.** Besisukančiam įrankio priedui atsitiktinai prisilietus prie Jūsų, jis gali pagriebti drabužius ir priedas gali būti įtrauktas į Jūsų kūną.
- **Reguliariai valykite elektrinio įrankio oro ventiliacijos aneles.** Variklio ventiliatorius įsiurbia į korpuso vidų dulkes ir per didelės susikaupusių metalo dalelių kiekis gali kelti su elektra susijusius pavojus.

Lietuviškai

- **Nenaudokite elektrinio įrankio šalia degių medžiagų.** Kibirkištys gali šias medžiagas uždegti.

ATATRANKA IR SU JA SUSIJĘ ĮSPĖJIMAI

Suspaustas ar užsikabinęs ratukas gali staiga atšokti veikiamas atatranks jėgos. Suspaustas ar užsikabinęs besisukantis ratukas staigiai liaujasi sukintis ir dėl to nevaldomas elektrinis įrankis sulinkimo taške pasisuka priešinga ratuko sukimosi kryptimi.

Pavyzdžiui, jei abrazyvinį diską sugnybia ar užkabina ruošinys, tas disko kraštas, kuris prisiliečia prie sugnybimo taško, gali įlysti į medžiagos paviršių, ir dėl to diskas išlenda ar iššoksta atgal. Diskas gali iššokti link operatoriaus arba nuo jo, priklausomai nuo sugnybimo taško disko sukimosi krypties. Tokiais atvejais, abrazyviniai diskai gali taip pat sulūžti.

Atatranka yra netinkamo naudojimo elektrinio įrankio ir (ar) klaidingo darbo proceso ar sąlygų rezultatas. Jos galima išvengti laikantis atitinkamų žemiau išdėstytų apsaugos priemonių.

- **Pjūklą tvirtai laikykite rankomis, o ranką ir kūną laikykite taip, kad jie išlaikytų atgalinio smūgio jėgą. Visada naudokite pagalbines rankenas (jei ji pridėdama), kad atgalinį smūgį ar sukimo momentą užvedimo metu galėtumėte geriausiai suvaldyti.** Jei operatorius laikosi tinkamų atsargumo priemonių, jis sūtkio reakcijos ir atgalinio smūgio jėgas gali suvaldyti.
- **Rankų niekada nedėkite šalia besisukančio įrankio priedo.** Priedas gali atšokti atgal į Jūsų ranką.
- **Neatsistokite vienoje eilėje su besisukančiu ratuku.** Atgalinio smūgi metu po užkabinimo įrankis nustumiamas kryptimi, priešinga disko sukimuisi.
- **Apdirbdami kampus, smailius kraštus ir t. t., būkite ypač atsargūs.**
- **Stenkitės priedo neužkabinti ir neatlikti tokių veiksmų, kad priedas šokinėtų.** Kampai, smailūs kraštai ar šokinėjimas dažnai užkabina besisukančią įrankio priedą, ir dėl to įrankis nesuvaldomas ar įvyksta atgalinis smūgis.
- **Netvirtinkite pjūklo grandinės, medžio drožinėjimo geležtės, segmentinio deimantinio ratuko, kurio periferinis tarpas didesnis nei 10 mm taip pat nemontuokite dantytų pjūklo ašmenų.** Tokios geležtės dažnai sukelia atgalinį smūgį ar dėl jų įrankis nesuvaldomas.
- **"Neįstraiginkite" ratuko ir per stipriai nespaukite jo. Nebandykite pjauti per daug giliai.** Naudojant per didelę jėgą apkrova diskui padidėja, taip pat pjaunant diskas greičiau gali sulinkti, užsikirsti ar sulūžti, ar įvykti atatranka.
- **Jei diskas užkliūna ar trukdo normaliam pjovimui dėl tam tikros priežasties, elektrinį įrankį išjunkite ir jį nejudindami laikykite tol, kol diskas visiškai**

nustoja sukintis. Jokiu būdu nebandykite nuimti nuo pjautuvo judančio ratuko: paveiktas atatranks jėgos, jis gali atšokti. Nustatykite disko kirtimosi priežastis ir imkitės tinkamų veiksmų joms pašalinti.

- **Pjovimo metu įrankiui esant ruošinyje, įrankio iš naujo neužveskite. Leiskite diskui išvystyti visą greitį ir jį iš naujo atsargiai įveskite į pjovą.** Jei elektrinį įrankį iš naujo užvesite diskui esant ruošinyje, diskas gali užkliūti, pasislinkti, ar atšokti atgal.
- **Dideles plokštes ar kitus labai didelius ruošinius paremkite, kad išvengtumėte disko suspaudimo ir atatranks.** Dėl savo svorio dideli ruošiniai paprastai įlinksta. Atramas būtina padėti iš abiejų disko pusių po ruošiniu, šalia pjovimo linijos bei ruošinio kraštų.
- **Atlikdami vidinį pjovimą esančiose sienose ar kitose nematomose srityse, būkite ypač atsargūs.** Atsikišęs diskas gali nupjauti dujų ar vandens vamzdžius, elektros laidus ar objektus, kurie gali sukelti atatranką.

PAPILDOMI SAUGOS PERSPĖJIMAI

- Nenaudojant, geležtės reikia laikyti sausoje vietoje ir rūpestingai prižiūrėti.

PAPILDOMI AKUMULIATORIAUS SAUGOS ĮSPĖJIMAI

⚠ ĮSPĖJIMAS

Siekdami išvengti trumpojo jungimo sukeliama gaisro pavojaus, sužalojimų arba produkto pažeidimų, neikiškite įrankio, keičiamo akumulatoriaus arba įkroviklio į skysčius ir pasirūpinkite, kad į prietaisus arba akumulatorius nepatektų jokių skysčių. Koroziją sukeliantys arba laidūs skysčiai, pvz., sūrus vanduo, tam tikri chemikalai ir balikliai arba produktai, kurių sudėtyje yra baliklių, gali sukelti trumpąjį jungimą.

LIČIO BATERIJŲ GABENIMAS

Gabenkite bateriją pagal įmonės ir valstybinius reikalavimus ir taisykles.

Gabendama baterijas, trečioji šalis privalo vadovautis ant pakuotės ar etikečių nurodytais specialiaisiais reikalavimais. Pasirūpinkite, kad gabenant baterijos nesuliektų su kitomis baterijomis ar laidžiomis medžiagomis: ant jungiamųjų elementų uždėkite izoliuojančius, nelaidžius apsauginius dangtelius arba šiuos elementus apvyniokite juosta. Negabenkite įtrūkusių ar pratekančių baterijų. Išsamesnio patarimo kreipkitės į gabenanto įmonę.

Lietuviškai

APRAŠYMAS

1. Blokavimo mygtukas
2. Ašies užrakinimo mygtukas
3. Įstrižio skalė
4. Kampainio užrakinimo rankenėlė
5. Briaunos kreiptuvo užrakinimo rankenėlė
6. Pjovimo diskas
7. Atraminė dalis
8. Srauto reguliavimo rankenėlė
9. Vandens butelio atleidimo mygtukas
10. Vandens butelis
11. Gylio užfiksavimo rankenėlė
12. Disko veržliarakčio laikymo skyrelis
13. Baterijos paketas (nepriedama)
14. Perjungiklis
15. Vidinė disko poveržlė
16. Ratas
17. Išorinė disko poveržlė
18. Disko varžtas
19. Neteisingas atramos metodas
20. Teisingas atramos metodas
21. Krašto kreiptuvas
22. Rankena, izoliuotu paviršiumi

MONTAVIMAS

GRAVITACINIO TIEKIMO VANDENS BUTELIO TVIRTINIMAS

Žr. 2 pav.

Gravitacinio tiekimo vandens butelis yra pritvirtintas oro ventilacijos angoje, kuris išlygina slėgį ir leidžia vandeniui laisviau tekėti.

- Išimkite bateriją.
- Atsukite purkštuką.
- Vandens butelį pripildykite vandeniu iki pageidaujamo lygio. Nepripilkite per daug vandens.
- Įsukite butelio purkštuką.
- Vandens butelį laikykite taip, kad purkštukas būtų nukreiptas žemyn.

PASTABA: vanduo iš butelio neištekės, jei purkštuko galas yra nuspaustas.

- Vandens butelį įkiškite, kaip parodyta. Butelį lengvai spauskite žemyn, kol jis užsifiksuoja vietoje.
- Jei norite butelį išimti, paspauskite butelio atleidimo mygtuką.

PASTABA: atliekant pjovimą sausu būdu, vandens butelį palikite pritvirtintą, kad dulкės ir atliekos neužkištų vandens tiekimo sistemos.

⚠ ATSARGIAI

Vandens butelis yra skirtas tik pilti vandenį. Kitų skysčių naudojimas gali sugadinti įrankį.

⚠ ĮSPĖJIMAS

101,6 mm diskas yra didžiausias tinkamas diskas šioms pjovimo staklėms. Niekada nenaudokite per storo disko, dėl kurio išorinė disko poveržlė negali sukibti su ašies plokštuma. Didesni diskai liečiasi į disko apsauginį gaubtą, o storesnis diskas neleidžia jo varžtui tvirtai priveržti disko ant ašies. Bet kuri iš šių situacijų gali sukelti sunkų sužeidimą.

⚠ ĮSPĖJIMAS

Nenaudokite pjovimo diskų, kurių duomenys yra mažesni nei šio įrankio duomenys veikiant be apkrovos. Nepaisydami šių įspėjimų, galite sunkiai susižeisti. Nenaudokite įtrūkusių diskų ar diskų su plyšiais.

⚠ ĮSPĖJIMAS

Nenaudokite krumpliuotų ar segmentuotų diskų. Naudokite tik vientisus, ratlankinius deimantinius diskus, tinkamus naudoti mūro darbams.

PJOVIMO DISKO MONTAVIMAS

Žr. 3 pav.

- Išimkite iš įrankio baterijos paketą.
- Ištraukite disko veržliarakštį (5 mm šešiakampį raktą) iš jo laikymo skyrelio.
- Nuspauskite ašies užrakinimo mygtuką, ištraukite disko varžtą ir išorinę disko poveržlę.

PASTABA: disko varžtą ištraukti, jį sukite pagal laikrodžio rodyklę.

⚠ ATSARGIAI

Kad nesugadintumėte ašies ir jos užrakto, visada leiskite varkliui visiškai sustoti prieš užrakinami ašies užraktą.

PASTABA: pjūklo nenaudokite, kai ašies užraktas jungtas.

- Ant vidinės ir išorinės disko poveržlių, toje vietoje, kur jos liečiasi į diską, užlašinkite lašelį alyvos.

Lietuviškai

▲ ĮSPĖJIMAS

Jei vidinė disko poveržlė nuimta, prieš dėdami diską atgal ant ašies, poveržlę užmaukite atgal į jos vietą. To nepadarę galite sunkiai susižeisti, nes diskas nebus tvirtai priveržtas.

- Uždėkite išorinę disko poveržlę.
- Nuspauskite ašies užrakinimo mygtuką, tada vėl užsukite disko varžtą. Disko varžtą tvirtai priveržkite jį sukdami prieš laikrodžio rodyklę.
- Disko veržliaraktį įdėkite atgal į jo laikymo skyrelį.

PASTABA: niekada nenaudokite per storo disko, dėl kurio išorinė disko poveržlė negali sukibti su ašies plokštuma.

VEIKIMAS

▲ ĮSPĖJIMAS

Dirbdami su plytelių pjovimo staklėmis, visada dėvėkite kaukę nuo dulkių. Priešingu atveju, galite sunkiai susižeisti.

▲ ĮSPĖJIMAS

Darbo metu visada dėvėkite apsauginius akinius arba akinius su šonine apsauga. Neužsidėjus, į jūsų akis gali patekti nuolaužų, kurios gali rimtai sužaloti.

▲ ĮSPĖJIMAS

Nenaudokite jokių priedų ar papildomų detalių, kurių nerekomenduoja šio produkto gamintojas. Naudojant nerekomenduojamus papildomus įtaisus ar priedus, galima rimtai sužaloti.

BATERIJOS APSAUGOS SAVYBĖS

„RYOBI“ 18 V ličio-jonų baterijos pasižymi tokiais savybėmis, kurios apsaugo ličio-jonų elementus ir prailgina baterijos tinkamumo naudoti laiką. Tam tikromis naudojimo sąlygomis šios baterijų savybės gali skirtis ir prietaisas, kuriame įmontuota tokia baterija, gali veikti kitaip, nei nikelio–kadmio baterija.

Kai kurių darbų metu baterijos elektroninis valdymas gali išjungti bateriją, todėl prietaisas taip pat nustos veikti. Bateriją atstatyti į pradinę padėtį ir prietaisą vėl įjungti, atleiskite perjungiklį ir nustatykite normalų darbo režimą.

PASTABA: kad baterija dar kartą neišsijungtų, dirbdami su prietaisu, nenaudokite jėgos.

Jei atleidus perjungiklį, baterija ir prietaisas negrįžta į pradinę padėtį, baterija yra išsikrovusi. Jei baterija yra išsikrovusi, ją įkrausite, padėję ant ličio-jonų įkroviklio.

BATERIJOS PAKETO TVIRTINIMAS

Žr. 4 pav.

- Baterijos paketą įdėkite į pjūklą. Baterijos iškiliają dalį nustatykite vienoje linijoje su pjūklo vidaus grioveliu, po to bateriją įstumkite į pjūklą.
- Prieš pradėdami darbą, patikrinkite, ar fiksatoriai abiejose baterijos pusėse gerai užspausti ir ar baterija gerai įdėta į įrankį.

▲ ĮSPĖJIMAS

Visada ištraukite bateriją iš prietaiso, kai surenkate dalis, reguliuojate, valote prietaisą arba jo nenaudojate. Ištraukus bateriją, įrankis negalės atsitiktinai įsijungti, nes tai galėtų jus sunkiai sužaloti.

BATERIJOS PAKETO IŠĖMIMAS

Žr. 4 pav.

- Nuspauskite abu fiksatorius, esančius abiejose baterijos paketo pusėse, kad bateriją iš įrankio galėtumėte išimti.
- Išimkite iš įrankio baterijos paketą.

PJOVIMO DISKAI

Net ir geriausi pjovimo diskai tinkamai nepjau, jei jie yra buki ar smarkiai nusidėvėję. Naudojant atbukusį diską, pjūklui nukreipiama per didelė apkrova. Visada šalia turėkite atsarginių aštrių pjovimo diskų.

PJŪKLO ĮJUNGIMAS IR IŠJUNGIMAS

Žr. 5 pav.

Pjūklą įjungti:

- Nuspauskite atrakinimo mygtuką.
- Nuspauskite perjungiklį.

Diskui visada leiskite išvystyti visą greitį, po to pjūklą įkiškite į ruošinį.

Pjūklo išjungimas:

- atleiskite perjungiklį.

Atleidę perjungiklį, palaukite, kol diskas visiškai nustos sukis. Kol diskas sukasi, pjūkle iš ruošinio neištraukite.

BLOKAVIMO MYGTUKAS

Žr. 5 pav.

Užrakinimo mygtukas yra skirtas sumažinti atsitiktinio įsijungimo tikimybę. Atrakinimo mygtukas yra ant rankenėlės virš perjungiklio. Atrakinimo mygtuką būtina nuspausti prieš įjungiant perjungiklį. Užraktas nustatomas iš naujo perjungiklį kiekvieną kartą atleidus.

PASTABA: atrakinimo mygtuką galite nuspausti iš kairės arba dešinės pusės.

DISKO PJOVIMO GYLIO NUSTATYMAS

Žr. 6 pav.

Lietuviškai

Teisingas disko pjovimo gylis turi būti visada nustatytas. Teisingas disko pjovimo gylis bet kokiam pjovimui niekada neturi viršyti 6,35 mm žemiau pjaunamo ruošinio. Didėnis disko pjovimo gylio padidina atatrakos tikimybę, o taip pat pjovimas yra nelygus. Siekiant pjovimo gylį tiksliau nustatyti, galiniame laikiklyje yra pritvirtinta matavimo skalė.

- Atlaisvinkite pjovimo gylio nustatymo rankenėlę.
- Nustatykite reikiamą pjovimo gylį.
- Galiniame laikiklyje suraskite matavimo skalę.
- Padą laikykite ant ruošinio horizontaliai ir pjūklą nuleiskite ar pakelkite, kol laikiklio žymeklis sulyginamas su grioveliu ant disko apsauginio gaubto.
- Pjovimo gylio nustatymo rankenėlę tvirtai priveržkite.

DARBAS SU PJOVIMO STAKLĖMIS

Žr. 7 - 8 pav.

Svarbu suprasti teisingą pjovimo staklių naudojimo būdą. Teisingus ir neteisingus darbo su pjovimo staklėmis būdus rasite šių vartotojo instrukcijų paveikslėliuose.

ĮSPĖJIMAS

Pjūklą keliant nuo pjaunamo ruošinio, pjovimo diskas yra atviras ir neapsaugotas pjūklo apačioje.

Kaip atlikti patį geriausią pjovimą:

- Pjūklą tvirtai laikykite abiem rankomis.
- Pjovimo metu niekada nedėkite rankų ant ruošinio.
- Ruošinį paremkite taip, kad pjovimo vieta (prapjova) būtų jūsų pusėje.
- Ruošinį prie pjovimo vietos visada paremkite.
- Ruošinį tvirtai suspauskite gnybtais taip, kad pjovimo metu jis nejudėtų.
- Pjūklą visada dėkite tik ant paremto ruošinio, o ne ant nupjautos dalies.
- Ruošinį padėkite jo gerąja puse žemyn.
- Prieš pradėdami pjauti, visada nubrėžkite liniją pagal reikiamą pjauti liniją.

PJOVIMŲ ATLIKIMAS

Žymekliu ar riebaliniu pieštuku nubrėžkite ant plytelės liniją, pagal kurią atliksite pjovimą. Jei plytelė blizgi ir ją sunku pažymėti, ant jos užklijuokite maskavimo juostą ir liniją nubrėžkite ant jos.

Dažna problema pjaunant plyteles yra nukrypimas nuo pažymėtos linijos. Nuo žymos nukrypus, disko jėga negalima grąžinti į pjovimo liniją pasukant plytelę. Vietoj to, stumkite pjūklą atbuline eiga ir plytelę pjaukite iš naujo, pašalinami tą mažą plytelės dalelę tol, kol diskas grįžta į pjovimo liniją.

Siekiant šios problemos išvengti, atlikdami kryžminį ar

nuožambų pjovimą, jei tik įmanoma, naudokite tiesų briaunos kreiptuvą. Jei norite atlikti pjovimą šlapiu būdu, tai darykite lauke.

BRIAUNOS KREIPTUVO NAUDOJIMAS

Žr. 9 pav.

Briaunos kreiptuvą naudokite pjovimo įrenginiu pjaudami ilgus arba plačius išilginius pjovimus.

1. Išimkite iš įrankio baterijos paketą.
2. Įstatykite briaunos kreiptuvą į angas pjovimo įrenginio pagrinde.
3. Nustatykite briaunos kreiptuvą į reikalingą plotį.
4. Patikimai priveržkite sparno varžtą.

Naudodami briaunos kreiptuvą, prispauskite briaunos kreiptuvo priekį tvirtai prie ruošinio briaunos. Tokiu būdu pjūvis pavyksta tikras, nesulenkiant geležtės. Ruošinio kreipiamoji briauna turi būti tiesi, kad pjūvis pavyktų tiesus. Būkite atsargūs, kad geležtė nesulinkytų pjūvyje.

PRIEŽIŪRA

ĮSPĖJIMAS

Sugedusias detales keiskite tik originaliomis „RYOBI“ atsarginėmis detalėmis. Kitų detalių naudojimas gali sukelti pavojų ar sugadinti įrankį.

Valydami plastikines detales, nenaudokite tirpiklių. Komerciniai tirpikliai lengvai pažeidžia daugelį plastikinių detalių ir juos naudojant galima pažeisti plastikines detales. Valydami purvą, dulkes, tepalus, alyvas ir t.t., naudokite švarias šluostes.

ĮSPĖJIMAS

Stabdžių skysčiai, gazolinas ir benzino produktai, skvarbios alyvos ir pan. jokiū būdu negali patekti ant plastiko dalių. Juose yra chemikalų, kurie gali sugadinti, pažeisti arba susilpninti plastiką.

Elektrinius įrankius naudokite tik pagal jų paskirtį. Juos naudojant netinkamai, įrankius bei darbo medžiagas galite pažeisti.

ĮSPĖJIMAS

Nerekomenduojama keisti šio įrankio ar jam pritaikyti papildomų detalių, kurios su šiuo įrankiu naudoti nerekomenduojamos. Bandytas jas keisti ar modifikuoti laikoma netinkamu naudojimu, galinčiu sukelti pavojingą situaciją ir jus sunkiai sužeisti.

Lietuviškai

APLINKOS APSAUGA



Žaliavines medžiagas perdirbkite pakartotinai, o ne išmeskite kaip atliekas. Mechanizmas, priedai ir pakuotės turi būti laikomi pakartotinai perdirbti aplinkai nekenksmingu būdu.

ŽENKLAI



Saugos perspėjimas



CE atitiktis



„EurAsian“ atitikties ženklas



Ukrainos atitikties ženklas



Dėvėkite akių apsaugos priemones



Atidžiai perskaitykite instrukcijas prieš pradėdami naudoti mechanizmą.



Dėvėkite akių, ausų ir kvėpavimo takų apsaugos priemones.



Akmuo



Marmuras



Keramika



Porcelianas



Elektrinių produktų atliekos neturi būti metamos kartu su namų ūkio atliekomis. Prašome perdirbkite jas ten, kur yra tokios perdirbimo bazės. Dėl perdirbimo patarimo kreipkitės į savo vietinę savivaldybę ar pardavėją.



Eesti

18-voldise akutoitega märg-/kuivlõikuse plaadisae konstrueerimisel on peaeesmärgiks olnud toote ohutus, tootlikkus ja töökindlus.

OTSTARBEKOHANE KASUTAMINE

Seda seadet võib kasutada järgmiseks otstarbeks.

- Kunstkivi-plaatide, kõnniteeplaatide ning looduslike plaatide piki, risti ja kaldu märgsaagimiseks.
- Ütal nimetatud materjalide kuivsaagimiseks on vaja spetsiaalset lõikeketast (ei ole kompleksis).

Sellel seadmel võib kasutada RYOBI ONE+ 18-voldiseid liitium-ioonakusid ja RYOBI ONE+ 18-voldiseid nikkel-kaadmiumakusid.

Lisateavet laadimise kohta saate RYOBI ONE+ akupaketi ja laadija kasutusjuhendist.

⚠ HOIATUS

Lugege kõik ohuhoiatused ja juhised läbi. Hoiatuse ja juhiste eiramise puhul on oht saada elektrilööki või raskeid kehavigastusi ning/või põhjustada tulekahju.

Hoidke kõik hoiatused ja juhised edaspidiseks juhendumiseks alles.

PLAADISAE OHUHOIATUSED

- Komplektis olev kaitsekate peab olema tööriistale ohutult kinnitatud ja paigutatud maksimaalse ohutuse saavutamiseks nii, et võimalikult väike osa kettast on kasutaja suunas nähtav. Hoidke ennast ja kõrvalseisjaid eemal lõikeketta pöörlemistasapinnast. Kaitsekate kaitseb kasutajat purunenud kettatükkide ja juhusliku kontakti eest kettaga.
- Kasutage sael ainult mahalõikamiseks ettenähtud teemantlõikeketast. Asjaolu, et tarvikut on võimalik mehaanilisele tööriistale kinnitada, ei taga selle tarvikuga töötamisel ohutust.
- Tarviku lubatud nimikiirus peab olema vähemalt võrdne mehaanilisele tööriistale märgitud maksimaalse kiirusega. Tarvikud, mis ületavad nendele ettenähtud kiiruse, võivad puruneda ja tükkideks lennata.
- Kettaid tohib kasutada ainult neile ettenähtud otstarveteks. Näiteks ärge lihvide mahalõikeketta küljega. Abrasiiv-mahalõikekettad on ette nähtud läbilõikamiseks; kui neile rakendada külgjõudusid, siis võivad need kildudeks puruneda.
- Kasutage valitud kettale läbimõõdule sobivaid ning vigastamata kettaäärkiuid. Õigesti valitud äärkiud toetavad ketast ja vähendavad sellega ketta

purunemisohtu.

- **Kasutatava tarviku välisläbimõõt ja paksus peab vastama teie tööriista nimiandmetele.** Valedes mõõtetega tarvikuid ei ole võimalik nõuetekohaselt turvata ja kontrolli all hoida.
- **Ketta ja äärkiute kinnitusava peab täpselt vastama seadme spindlile.** Kettad ja äärkiud, mille völliava ei sobi mehaanilise tööriista kinnitusosadega kokku, läheb tasakaalust välja, hakkab tugevasti vibreerima ja võib kontrolli alt väljuda.
- **Ärge kasutage vigastatud lõikekettaid. Kontrollige kettad üle kildumise ja pragunemise suhtes.** Kui tööriist või lõikeketas on maha kukkunud, siis vaadake tööriista vigastused üle või asendage uue lõikekettaga. Pärast lõikeketta ülevaatamist ja paigaldamist hoidke ennast ning kõrvalseisjad pöörleva lõikeketta pöörlemistasapinnast eemal ja käituge tööriista ühe minuti jooksul maksimaalsel pöörlemiskiirusel ilma koormuseta. Vigastatud lõikeketas puruneb selle aja jooksul tavaliselt tükkideks.
- **Kandke isikukaitsevahendeid.** Olenevalt töö iseloomust kandke näovisiiri, kaitsemaski või kaitseprille. Vajaduse korral kandke tolumumaski, kuulmiskaitseid, kaitsekindaid ja kaitsepõlle, mis kaitsevad teid abrasiivkettast või toorikust lähtuvate osakeste eest. Silmakaitsevahendid peavad kaitsma töötlemisjätkide eest, mis erinevate tööoperatsioonide juures välja paisuvad. Tolumumask või respiraator peavad tööoperatsioonidel tekkivaid osakesi piisavalt filtreerima. Pikaajaline viibimine kõrge müratasemega piirkonnas võib põhjustada kuulmishäireid.
- **Hoidke kõrvalised isikud tööpiirkonnast ohutul kaugusel.** Iga tööpiirkonda siseneja peab kandma isikukaitsevahendeid. Tooriku töötlemisjätmed või purunenud lõikeketta tükid võivad välja lennata ja põhjustada kehavigastusi ka väljapool vahetatud tööpiirkonda.
- **Töötamisel kohtades, kus lõikeriist võib kokku puutuda varjatud elektrijuhtmetega, hoidke tööriista kinni ainult isoleeritud käepidemetest.** Kui kinnitusedetail või puur satub kontakti pingele all olevate juhtmetega, jäävad tööriista isoleerimata metallosad pingele alla ja kasutaja võib saada elektrilöögi.
- **Ärge pange tööriista enne maha, kui tarvik on täielikult peatunud.** Pöörlev lõikeketas võib pinnaga haarduda ja selle tagajärjel võib tööriist väljuda teie kontrolli alt.
- **Ärge käituge tööriista siis, kui te seda küljel hoiate.** Juhuslik kontakt pöörleva tarvikuga võib põhjustada riietesse kinnijäämise ja selle tulemusena võib tarvik tungida teie kehasse.
- **Puhastage regulaarselt tööriista**





Eesti

ventilatsioonipilusid. Mootori ventilaator tõmbab tolmu korpusesse ja metalliosakesi sisaldava tolmu kogunemine põhjustab elektrivooluga seotud ohtusid.

- **Ärge kasutage tööriista süttivate materjalide läheduses.**Sädemed võivad need materjalid süüdata. Sädemed võivad need materjalid süüdata.

TAGASILÖÖK JA SELLEGA SEOTUD HOIATUSED

Kinnikiilunud või haardunud löikeketas põhjustab ootamatut tagasilöögi. Kinnikiilumine või haardumine põhjustab pöörleva löikeketta kiire peatumise, mis omakorda tingib kinnijäämispunkti vastassuunaliste kontrollimatute jõudude mõjumise löikeketta pöörlemisele vastassuunas.

Näiteks juhul, kui abrasiivketas on toorikuga haardunud või sellesse kinni jäänud, võib ketta sisenev serv kinnijäämise punktis materjali pinna sisse kaevuda ja põhjustada ketta väljalikumise või tagasilöögi. Ketas võib hüpata operaatori suunas või temast eemale, sõltuvalt ketta liikumissuunast kinnijäämise punktis. Abrasiivkettad võivad selliste tingimuste korral puruneda.

Tagasilöök on tööriista väära kasutamise, ebaõigete tööviiside või tööks mittevastavate töötingimuste tulemus ja seda saab vältida alpool esitatud ettevaatusabinõude rakendamisega.

- **Tagasilöögist tulenevate jõudude vastuvõtmiseks kasutage oma keha ja käsivart ning hoidke tööriistast tugevasti kinni.** Kasutage alati komplektis olevat lisakäepidet, et hoida tagasilööki või puutereaktsioonist tingitud reaktsiooni kontrolli all. Operaatoril on võimalik puutereaktsioone ja tagasilöögist tekkivaid jõudusid hallata, kui selleks vastavaid meetmeid võtta.
- **Ärge hoidke mingil juhul oma kätt pöörleva tarviku läheduses.** Tarvik võib tagasilöögiga tabada teie kätt.
- **Ärge seiske tööriista taga pöörleva ketta tasapinnas.** Tagasilöök paiskab kinnijäämise kohas tööriista vastuspidisesse suunda ketta pöörlemisele.
- **Olge eriti ettevaatlik töötamisel nurkades, teravatel servadel jne.**
- **Vältige tarviku pörkimist ja kinnijäämist.** Nurkades ja teravatel servadel või pörkimisel on kalduvus pöörlevat tarvikut kinni kiiluda ja põhjustada sellega kontrolli kadumist või tagasilööki.
- **Ärge kinnitage seadmele kettsaagi, freesid, hammastatud saeketast ega pilutatud teemantketast, mille pilude vahe on 10 mm.** Selliste ketaste kasutamisel ilmneb tihti tagasilööki ja kontrolli kadumist.
- **Ärge laske löikekettal kinni jääda ega suruge sellele liigselt peale.** Ärge püüdke kasutada liiga suurt löikesügavust. Liigse jõu avaldamine suurendab ketta koormust, väändumist või kinnijäämist löiketees ning suurendab tagasilöögi või ketta purunemise

tõenäosust.

- **Kui ketas jääb kinni või löikamine katkeb mingil muul põhjusel, lülitage tööriist välja ja hoidke seda liikumatuna seni, kui ketas täielikult seiskub.** Ärge püüdke võtta löikeketast löikekohast välja ketta pöörlemise ajal, muidu võib ilmned tagasilöök. Uurige ketta kinnijäämise põhjus välja ja võtke meetmeid selle kõrvaldamiseks.
- **Ärge alustage löikamisoperatsiooni uuesti siis, kui ketas on tooriku sees.** Laske kettal saavutada täiskiirus ja pange ketas uuesti löikekohta. Kui löikamist jätkata ilma, et ketas oleks välja võetud, siis võib see kinni jääda, üles tõusta või anda tagasilöögi.
- **Toetage löigata vaid plaate ja suuremõtmelisi toorikuid, et minimeerida ketta kinnijäämise ning tagasilöögi ohtu.** Suurtel toorikutel on kalduvus oma raskuse all läbi vajuda. Toetage toorikuid altpoolt löikejoone lähedal ja serva lähedal mõlemal pool löikejoont.
- **Olge pesa löikamisel seinas sisse või varjatud kohtadesse ettevaatlik.** Väljuv ketas võib löigata läbi gaasi- või veetoru, elektrijuhtmed või muud objektid ja need võivad põhjustada tagasilööki.

TÄIENDAVAD OHUTUSJUHISED

- Kui seade ei ole kasutusel, hoidke löikekettaid kuivas kohas ja olge nende käsitsemisel ettevaatlik.

AKU LISAOHUTUSJUHISED

⚠ HOIATUS

Lühisest põhjustatud tuleohtu, vigastuste või toote kahjustuste vältimiseks ärge kastke tööriista, vahetusakut ega laadimiseadet vedelikku ning jälgige, et vedelikke ei tungiks seadmetesse ega akusse. Korrodeeruvad või elektrit juhtivad vedelikud, nagu soolvesi, teatud kemikaalid ja pleegitusained või pleegitusained sisaldavad tooted, võivad põhjustada lühisid.

LIITIUMAKUDE TEISALDAMINE

Akude transportimisel juhenduge kasutuskoahas kehtivatest ja riiklikest määrustest ja eeskirjadest.

Akude transportimisel allettevõtjate poolt järgige kõiki spetsiaalseid pakkimise ja tähistamise nõudeid. Veenduge, et akud ei satu kokkupuutesse teiste akude ega voolu juhtivate materjalidega, transportimise ajal kaitske klemme voolu mittejuhtivate isoleerkatete või teibiga. Ärge transportige pragunenud või lekkivaid akusid. Küsige lisateavet transportettevõtelt.





Eesti

KIRJELDUS

1. Vabastusnupp
2. Spindli lukustusnupp
3. Püstkaldeskaala
4. Kalde lukustusnupp
5. Piiraja lukustusnupp
6. Lõikeketas
7. Alusplaat
8. Pealevoolu reguleernupp
9. Veenõu vabastusnupp
10. Veenõu
11. Lõikesügavuse lukustusnupp
12. Kettavõtme hoiukoht
13. Akupakett (ei kuulu komplekti)
14. Lülitusnupp
15. Ketta siseäärik
16. Ratas
17. Ketta välisäärik
18. Ketta polt
19. Vale toetusviis
20. Õige toetusviis
21. Servajuhik
22. Isoleeritud haardepinnaga käepide

KOKKUPANEK

ISEVOOLUGA VEENÕU KINNITAMINE

Vaata joonist 2.

Isevooluga veenõu asub ventilaatoril, mis võrdsustab rõhu ja sellega võimaldab veel vabamalt voolata.

- Võtke aku maha.
 - Keerake düüsisõlm lahti.
 - Täitke veenõu ettenähtud tasemeni. Ärge üle täitke.
 - Pange düüsisõlm oma kohale tagasi.
 - Hoidke veenõud nii, et düüs on suunatud alla.
- MÄRKUS:** Vesi ei tule veenõust enne välja kui düüs on alla surutud.
- Pange veenõu tagasi nagu joonisel näidatud. Suruge veenõud alla kuni see klõpsab oma kohale.
 - Veenõu vabastamiseks vajutage veenõu vabastusnupule.

MÄRKUS: Kuivisaagimise ajaks jätke veenõu oma kohale, et vältida tolmu ja prahi sisenemist vee etteandesüsteemi.

⚠ ETTEVAATUST

Veenõu on ette nähtud vaid vee jaoks. Ükskõik missuguse muu vedeliku kasutamine võib põhjustada tööriista vigastumise.

⚠ HOIATUS

Saele paigaldatava lõikeketta maksimaalne läbimõõt on 101,6 mm. Ärge kasutage mingil juhul lõikeketast, mille paksus ei võimalda lõikeketast kettaäärikutega võllile kinni suruda. Suuremad lõikekettad satuvad kokkupuutesse kettakaitsetega ja paksemad lõikekettad ei võimalda ketta kinnituspoldil ketast võllile ohutult kinnitada. Mõlemal juhul võib tagajärjeks olla raske vigastus.

⚠ HOIATUS

Ärge kasutage lõikekettaid, mille nimikiirus on väiksem kui selle tööriista koormuseta kiirus. Selle hoiatuse eiramine võib põhjustada raske kehavigastuse. Ärge kasutage pragunenud, astmetega või hammastunud lõikekettaid.

⚠ HOIATUS

Ärge kasutage hammastunud või ebaühtlaselt kulunud lõikekettaid. Kasutage vaid keraamilistele materjalidele ettenähtud südamikuga lõikekettaid.

LÕIKEKETTA PAIGALDAMINE

Vaata joonist 3.

- Võtke akupakett sae pesast välja.
- Võtke lõikeketta võti (kuuskantvõti 5 mm) hoidikust välja.
- Vajutage spindli lukusti nupule ja keerake lõikeketta polt välja ja välisäärik maha.

MÄRKUS: Keerake reguleermutrit pingutamiseks päripäeva.

⚠ ETTEVAATUST

Spindli või spindlilukusti vigastumise vältimiseks laske enne lukusti vabastamist mootoril täielikult peatuda.

MÄRKUS: Ärge käivitage saagi siis kui lukusti on rakendatud.

- Pühkige välis- ja siseäärikud lõikekettaga kokkupuutekohtades puhtaks.

⚠ HOIATUS

Kui seesmine kettaäärik oli maha võetud, siis pange see enne lõikeketta kohalepanekut võllile tagasi. Muidu põhjustab see õnnetuse, sest lõikeketas ei ole nõuetekohaselt kinnitatud.



Eesti

- Pange väline kettaäärük oma kohale tagasi.
- Vajutage võlli lukustusnupp alla ja keerake ketta kinnituspolit oma kohale tagasi. Keerake lõikeketta kinnituspolit vastupäeva kinni.
- Pange lõikeketta võti hoidikusse tagasi.

MÄRKUS: Ärge mingil juhul kasutage lõikeketast, mis on nii paks, et väline kettaäärük ei suru seda võllile kinni.

KASUTAMINE

⚠ HOIATUS

Plaatide saagimisel kandke alati tolmu maski. Muidu võite saada raske kehavigastuse.

⚠ HOIATUS

Kandke alati sellist kaitsemaski või kaitseprille, mis kaitsevad töötamisel silmi ka külgedelt. Selle eiramine võib tähendada, et võõrkehavad võivad sattuda teile silma, mis võib põhjustada tõsise vigastuse.

⚠ HOIATUS

Ärge kasutage mingeid lisaseadmeid või tarvikuid, mis ei ole tööriista tootja poolt soovitatud. Soovitamata lisaseadmete ja tarvikute kasutamine võib põhjustada tõsise kehavigastuse.

AKU KAITSEFUNKTSIOONID

RYOBI 18 V liitumioonakudel on funktsioonid, mis kaitsevad liitumioonaku elemente ja pikendavad aku tööiga. Mõnedes töötingimustes mõjustab kaitsefunktsioon aku ja sellega ühendatud tööriista käitumist teisiti, kui see on nikkel-kaadmiumaku puhul.

Mõne rakenduse puhul võib aku elektroonikasüsteem anda signaali aku väljalülitamiseks ja sellega põhjustada tööriista pöörlemise katkemise. Aku ja tööriista lähtestamiseks vabastage käivitusnupp ja alustage tavapäraselt töötamist uuesti.

MÄRKUS: Aku väljalülitamise vältimiseks vältige tööriista ülekoormamist.

Kui lüliti akut ja tööriista ei lähtesta, siis on akupakett tühjenenud. Tühjenenud akupaketti hakatakse laadima, kui see on ühendatud liitumioonaku laadimiseks ettenähtud laadimisseadmesse.

AKUPAKETI PAIGALDAMINE

Vaata joonist 4.

- Ühendage aku saele. Seadke aku ribi kohakuti soonega ja lükake aku sae akupessa sisse.

- Sisselükkamise järel veenduge, et mõlema poole lukustid lukustuvad akul olevatesse pesadesse.

⚠ HOIATUS

Võtke akupakett alati siis välja, kui te kääriosi paigaldate, kääre reguleerite, puhastate või ei kasuta. Aku eemaldamine väldib tööriista tahtmatu käivitumise, mis võib põhjustada raske kehavigastuse.

AKUPAKETI VÄLJAVÕTMINE

Vaata joonist 4.

- Vajutage aku mõlemal poolel olevatele lukustitele, et vabastada aku sae küljest.
- Võtke aku sae pesast välja.

LÕIKEKETTAD

Ka parimad lõikekettad ei lõika efektiivselt kui need on nürid või kulunud. Nüri lõikeketas koormab sae liigselt üle. Hoidke varukettaid alati käepärast, et neid saaks alati vajadusel kasutada.

SAE KÄIVITAMINE/SEISKAMINE

Vaata joonist 5.

Sae käivitamiseks tehke järgmist.

- Vajutage vabastusnupule.
- Vajutage lülitlusnupule.

Laske kettal saavutada täiskiirus ja pange ketas seejärel plaadi lõikekohta.

Sae peatamiseks tehke järgmist:

- vabastage lülitlusnupp,

pärast lülitlusnupu vabastamist laske lõikekettal täielikult seisma jääda. Ärge võtke saagi plaadist välja kui lõikeketas pöörleb.

VABASTUSNUPP

Vaata joonist 5.

Vabastusnupp vähendab juhusliku käivitumise võimalust. Vabastusnupp asetseb lülitlusnupu kohal. Enne lülitlusnupu vajutamist tuleb vajutada vabastusnupule. Pärast lülitlusnupu vabastamist lukustub see uuesti.

MÄRKUS: Lülitlusnuppu saab vabastada vabastusnupule vajutamiselega vasakult või paremalt poolelt.

LÕIKESÜGAVUSE REGULEERIMINE

Vaata joonist 6.

Kasutage alati õiget lõikesügavust. Lõikeketas ei tohi ühegi lõike korral olla lõigatavat materjalist allpool rohkem kui 6,35 mm. Suurema ketta sügavuse korral suureneb võimalus tagasilöögiks ja see võib põhjustada lõikepinna kvaliteedi halvenemist. Lõikesügavuse täpseks seadmiseks on sae taga seadeskaala.

- Lõdvendage sügavuse reguleernupp.



Eesti

- Määrake soovitat lõikesügavus.
- Seadke lõikesügavus sobivaks tagaosas asuva skaala järgi.
- Hoidke alusplaati vastu lõigatavat plaati ja tõstke või langetage saagi kuni viit ühtib märgiga rattakaitisel.
- Keerake lõikesügavuse reguleernupp tugevasti kinni.

SAE KASUTAMINE

Vaata joonist 7 - 8.

Tähtis on aru saada saega töötamise õigetest tööviisidest. Sae kasutamisel juhinduge käesolevas osas olevatest joonistest, et aru saada sae kasutamise õigetest ja valedest töövõtetest.

⚠ HOIATUS

Kui saag plaadilt üles tõsta, siis on lõikeketas selle allosas ligipääsetav.

Parima lõike saavutamiseks toimige järgmiselt.

- Hoidke saagi tugevasti mõlema käega.
- Ärge pange lõikamise ajal kätt lõigatavale plaadile.
- Paigutage lõigatav plaat nii, et saetee on alati teie poolel.
- Toetage lõigatavat plaati lõike lähedalt.
- Kinnitage lõigatavat plaati kindlalt, nii et see ei hakka lõikamise ajal liikuma.
- Pange saag lõigatavale plaadi sellele poolele, mis on toetatud, mitte aga ärälõigatavale osale.
- Pange lõigatav plaat nii, et viimistletud pool jääb allapoole.
- Enne lõikamise alustamist tõmmake saetee märgistamiseks joon.

LÕIGETE TEGEMINE

Tõmmake plaadile marker- või rasvapliiatsiga lõikejoon. Kui plaat on läikiva pinnaga ja seetõttu on seda raske märgistada, katke see teibiga ja tõmmake märkejoon teibile.

Plaadi lõikamisel on põhiliseks probleemiks kõrvalekalduv märkejoonest. Kui olete markeeritud joonelt kõrvale kaldunud, siis ärge suruge lõikeketast jõuga joonele tagasi plaadi keeramisega. Selle asemel tõmbuge tagasi ja lõigake ära väike osa plaadist kuni lõikeketas on joonel tagasi.

Selle probleemi vältimiseks kasutage võimaluse korral alati sirge serva juhikut, tehes ristlõikeid ja täisnurkseid lõikeid. Kui soovite teha märglõikamist, siis tehke seda väljas.

SERVAJUHIKU KASUTAMINE

Vaata joonist 9.

Kasutage servajuhikut pikkade või laiade sirglõigete

tegemiseks.

1. Võtke aku trellilt maha.
2. Pange servajuhik lõikuri aluses olevatesse soontesse.
3. Reguleerige servajuhik vastavalt soovitud laiusele parajaks.
4. Keerake liblikkruvi tugevasti kinni.

Servajuhikut kasutades pange servajuhiku tugipind tihedalt vastu töödeldava detaili serva. Nii saab teha täpse lõike ilma ketast muljumata. Töödeldava detaili juhtserv peab olema sirge, et ka lõige tuleks sirge. Olge ettevaatlik, et ketas lõikesse kinni ei jääks.

HOOLDUS

⚠ HOIATUS

Kasutage teenindamisel ainult täpselt sobivaid RYOBI varuosi. Muude osade kasutamine võib tekitada ohuolukorra ja põhjustada seadme vigastumise.

Vältige plastosade puhastamisel lahustite kasutamist. Enamik plaste on tundlikud erinevate kaubandusvõrgust saadaolevate lahustite suhtes ja võivad nende mõjul oma omadusi kaotada. Mustusest, tolmust, õlist, määrdest jne puhastamiseks kasutage puhast riidelappi.

⚠ HOIATUS

Ärge laske plastosadel mitte mingil juhul sattuda kokkupuutesse auto pidurivedeliku, bensiini, bensiinipõhiste toodete, immutusõlidega või muude samalaadsete vedelikega. Kemikaalid võivad kahjustada, nõrgendada või hävitada plastiku, mis võib omakorda põhjustada vigastusi kasutajale.

Ärge kasutage elektrilisi tööriistu nõuetevastaselt. Väärkasutamine võib rikkuda nii tööriista kui tooriku.

⚠ HOIATUS

Ärge püüdke ümber ehitada ega luua lisaseadmeid, mida pole soovitatud selle tööriistaga koos kasutada. Igasugune konstruktsiooni muutmine või ümberehitamine on väärkasutamine ja põhjustab ohtliku olukorra, mis võib tekitada raske kehavigastuse.



Eesti

KESKKONNAKAITSE



Taaskasutage materjale nende jäätmekäitluse andmise asemel. Masin, selle lisaseadmed ja pakend tuleb jäätmekäitluseks keskkonnasõbralikult sorteerida.

SÜMBOLID



Ohuhoiatus



CE-vastavus



Euraasia vastavusmärk



Ukraina vastavusmärgis



Kandke silmade kaitsevahendeid



Enne seadme kasutamist lugege palun kasutusjuhend hoollega läbi.



Kandke silmakaitseid, kõrvaklappe ja hingamisteede kaitsevahendeid.



Kivi



Marmor



Keraamika



Portselan



Mittekasutatavaid elektritooteid ei tohi visata olmejäätmete hulka. Vaid tuleb viia vastavasse kogumispunkti. Vajadusel küsige sellekohast nõu oma edasimüüjalt või vastavalt kohaliku omavalitsuse institutsioonilt.



Hrvatski

U razvoju ove mokro/suhe pile za pločice od 18 V dati su maksimalni prioriteti sigurnosti, performansama i pouzdanosti.

NAMJENA

Ovaj proizvod možete koristiti za svrhe koje su navedene u nastavku:

- Mokro rezanje u koso, rezanje s letvom i nagibno rezanje ručno izrađenih pločica i pločica od materijala prirodnog kamena.
- Za suho rezanja navedenih materijala, potrebna je posebna rezna ploča (nije isporučena).

Uz ovaj uređaj možete primijeniti RYOBI ONE+ litij-ionsku bateriju od 18 V i RYOBI ONE+ nikal-kadmijumsku bateriju od 18 V.

Za cjelovite upute punjenja pogledajte upute za uporabu za baterije RYOBI ONE+ i modele punjača.

⚠ UPOZORENJE

Pročitajte sva sigurnosna upozorenja i sve upute. Nepridržavanje upozorenja i uputa navedenih u nastavku može dovesti do električnog udara, požara i/ili ozbiljnih tjelesnih ozljeda.

Spremite sva upozorenja i upute za buduće korištenje.

SIGURNOSNA UPOZORENJA ZA PILU ZA PLOČICE

- **Štitnik ispušten s alatom mora biti čvrsto postavljen i pozicioniran na električni alat radi maksimalne sigurnosti, tako da je minimalna količina rezne ploče izložena prema rukovatelju. Namjestite se i udaljite promatrača od planiranog smjera okretanja rezne ploče.** Štitnik pomaže zaštititi rukovatelja od dijelica slomljenog kotača i slučajnog kontakta s kotačem.
- **Koristite samo dijamentne rezne ploče za električni alat.** Samo zato što pribor može biti priključen na vaš električni alat, to ne osigurava siguran rad.
- **Okretaja od pribora mora biti najmanje jednaka maksimalnu brzinu označen na električni alat.** Dodaci koji rade na višim brzinama od njihove nominalne brzine mogu se slomiti ili izletjeti s alata.
- **Kotači se moraju koristiti samo za preporučene primjene. Na primjer, nemojte brusiti s bočnom stranom reznog kotača.** Abrazivne rezne ploče namijenjene su za površinsko brušenje, primjena bočnih sila na ove kotače može dovesti do njihovog pucanja.
- **Za vašu odabranu reznu ploču uvijek koristite neoštećene prirubnice za reznu ploču koje su**

točne veličine i oblika. Pravilna prirubnica kotača podupire kotač te stoga smanjuje mogućnost lomljenja kotača.

- **Vanjskog promjera i debljine vašeg pribora mora biti unutar ocjenjivanja sposobnosti vašeg uređaja.** Pogrešno veličine pribor se ne može adekvatno čuvano ili kontrolirati.
- **Veličina rezne ploče i prirubnica mora odgovarati osovini električnog alata.** Rezne ploče i prirubnice s karo otvorima koje ne odgovaraju pričvrstnim elementima električnog alata se okreću izvan balansa, previše vibriraju i mogu dovesti do gubitka kontrole.
- **Nemojte koristiti oštećene rezne ploče. Prije svakog korištenja provjerite rezne ploče na puknuća i otkrhuća. Ako je električni alat ili rezna ploča pala na tlo, provjerite za oštećenja ili instalirajte neoštećenu reznu ploču. Nakon provjere i ugradnje rezne ploče, postavite sebe i promatrače dalje od smjera okretanja rezne ploče i pokrećite alat na maksimalnoj brzini za oko jednu minutu.** Oštećene rezne ploče obično se raspadnu tijekom ove provjere.
- **Nosite osobnu zaštitnu opremu. Ovisno o primjeni, koristiti lice štit, zaštitne naočale i zaštitne naočale. Ako je potrebno, stavite i masku protiv prašine, zaštitu od buke, rukavice i zaštitnu ploču kako biste se zaštitili od izlijetanja dijelova komada kojeg obrađujete (brusni dijelovi, komadići drveta itd.).** Zaštita očiju mora biti sposoban zaustavljanja letećih krhotina generirani od strane različitih operacija. Maska protiv prašine filtrirat će prašinu koja se stvara tijekom rada. Duže izlaganje jakoj buci može dovesti do gubitka sluha.
- **Držite nazočnima sigurnoj udaljenosti od područja rada. Svatko tko bi stupio u radno područje, mora nositi osobnu zaštitnu opremu.** Komadići izratka ili polomljene rezne ploče mogu odletjeti i uzrokovati povrede.
- **Držite uređaj po izoliranim ručkama površina samo pri obavljanju operacije u kojoj rezanje skrivene ožičenja ili vlastiti kabel.** Dodirivanje „žive“ žice priborom za rezanje može izložiti metalne dijelove alata električnoj energiji i može dovesti do strujnog udara na operatera.
- **Nikad ne odlažite alat prije nego što se pokretni dijelovi sasvim ne zaustave.** Rezna ploča može zagrabiti površinu i povući električni alat izvan kontrole.
- **Ne uključujte alat dok ga prevozite.** Rotirajući dodatak može se zaplesti u vašu odjeću i ozbiljno vas ozlijediti.
- **Redovno čistite ventilacijske otvore alata.** Kroz ventilacijske otvore u unutrašnjost kućišta motora može dospjeti prašina što može uzrokovati pretjerano nakupljanje metalnih komadića i uzrokovati strujni





Hrvatski

udar.

- **Ne koristite uređaj u blizini zapaljivih tvari.** U slučaju odskakivanja, alat se odbacuje u smjeru suprotnom od smjera rotacije ploče.

UPOZORENJA NA POVRTANI UDAR I DRUGE VEZANE OPASNOSTI

Povratni udar je iznenadna reakcija na prignječenu ili zasječenu reznu ploču. Prignječenje ili zasjecanje uzrokuje brzo stajanje rezne ploče što u povratu uzrokuje nekontrolirano izbacivanje električnog alata u suprotnom smjeru od rotiranja rezne ploče u točki zahvaćanja.

Na primjer, ako je brusna ploča kvrgava ili prignječena od strane izratka, rub kotača koji ulazi u točnu prignječenju se može zakopati u površinu materijala uzrokujući da se kotač popne iz prignječenja ili iskoči. Kotača ili može skočiti prema ili od operatora, ovisno o smjeru kotača pokreta na mjestu štibanje. U slučaju odskakivanja može doći i do lomljenja brusne ploče.

Odskakivanje je dakle rezultat loše uporabe alata i/ili nepravilnih postupaka ili uvjeta upotrebe. Može ga se izbjeći ako se poštuju neke mjere opreza:

- **Održavati čvrst zahvat na električni alat i položaj vašeg tijela i ruke kako bi Vam omogućiti da se odupre silama povratnog udara.** Ako alat ima pomoćnu ručku, svakako je držite kako biste imali optimalni nadzor nad alatom u slučaju odskakivanja ili da možete odgovarajuće reagirati u trenutku uključivanja uređaja. Poduzmite potrebne mjere kako biste alat mogli kontrolirati u slučaju odskakivanja ili jakog okretnog momenta.
- **Nikada ne stavljajte ruku u blizini rotirajuće pribor.** Alata mogu bakiš preko vaše ruke.
- **Nemojte postavljati tijelo u liniju s reznom pločom.** Bakiš će pokrenuti alat u smjeru suprotnom kotača pokreta na mjestu snagging.
- **Koristite posebna njega kod rada kutova, oštih rubova i sl.**
- **Nemojte alat zaglavljivati ili ispuštati iz ruku.** Uglovi, oštih rubova i odskakanje imaju tendenciju da uloviti rotirajuće pribor i dovesti do gubitka kontrole ili povratnog udara
- **Nemojte priključivati lanac pile, oštricu za rezbarenje drveta, segmentnu dijamantsku ploču s perifernim razmakom većim od 10 mm ili pilu s nazubljenom oštricom.** Takve oštrice povećavaju rizik od odskakivanja i gubitka nadzora na alatom.
- **Nemojte „zaglavljivati“ reznu ploču ili primjenjivati prekomjerni pritisak.** Nemojte pokušavati učiniti predbuk rez. Prekomjerno naprezanje ploče povećava opterećenje i mogućnost uvrtnja ili savijanja ploče prilikom reza i mogućnost povratnog udara ili pucanje ploče.
- **Kad se rezna ploča savije ili kod prekida reza iz bilo kojeg razloga, isključite električni alat i držite**

alat bez kretanja kako bi se rezna ploča potpuno zaustavila. Nikada ne pokušavajte ukloniti reznu ploču iz reza dok je ploča u pokretu, u suprotnom može doći do povratnog udara. Istražiti i poduzeti korektivne akcije kako bi se uklonili uzrok kotača obvezujuće.

- **Nemojte ponovno pokretati radnju rezanja u izratku.** Neka rezna ploča dostigne punu brzinu i **pažljivo ponovno nastavite rezati.** Ploča se može saviti, iskliznuti ili odskočiti unatrag ako se električni alat ponovno pokreće u izratku.
- **Poduprite ploče ili bilo koji izradak velikih dimenzija kako biste smanjili prignječenje i povratni udar rezne ploče.** Veliki izratci se uvijaju pod svojom vlastitom težinom. Potporniji se moraju postaviti ispod izratka na obim stranama, blizu crte rezanja i pored ruba izratka.
- **Budite izrazito oprezni kada radite „prividni rez“ u postojećim zidovima ili područjima u kojima ne vidite rez.** Ploča koja izviruje može odrezati cijevi od plina ili vode, električne žice ili predmete koji mogu uzrokovati povratni udar.

DODATNA SIGURNOSNA UPOZORENJA

- Kada se ne koristi, oštrica mora biti pohranjena na suhom mjestu i pažljivo rukujte s njom.

DODATNA SIGURNOSNA UPOZORENJA ZA BATERIJU

⚠ UPOZORENJE

Zbog izbjegavanja opasnosti od požara jednim kratkim spojem, opasnosti od ozljeda ili oštećenja proizvoda, alat, izmjenjivi akumulator ili napravu za punjenje ne uronjavati u tekućine i pobrinite se za to, da u uređaje ili akumulator ne prodiru nikakve tekućine. Korozirajuće ili vodljive tekućine kao slana voda, određene kemikalije i sredstva za bijeljenje ili proozvodi koji sadrže sredstva bijeljenja, mogu prouzročiti kratak spoj.

TRANSPORTIRANJE LITIJUMSKIH BATERIJA

Transportirajte bateriju u skladu s lokalnim i nacionalnim pravilima i zakonima.

Slijedite sve specijalne zahtjeve na pakiranju i naljepnicama prilikom transporta baterije od treće strane. Osigurajte da baterija ne može doći u kontakt s drugim baterijama ili provodnim materijalima tijekom transporta tako da zaštitite izložene priključke s izolacijom, kapticama koje ne provode energiju ili trakom. Nemojte transportirati baterije koje su polomljene ili cure. Provjerite kod kompanije koja transportira za daljnju pomoć.



Hrvatski

OPIS

1. Blokada otopca
2. Gumb za zaključavanje osovine
3. Ljestvica nagiba
4. Gumb za blokiranje nagiba
5. Gumb za blokiranje vodilice ruba
6. Rezna ploča
7. Baza
8. Gumb za podešavanje protoka
9. Gumb za oslobađanje boce s vodom
10. Boca s vodom
11. Gumb za blokiranje dubine
12. Prostor za čuvanje ključa rezne ploče
13. Baterija (nije uključena)
14. Sklopka za pokretanje
15. Unutarnja podloška rezne ploče
16. Kotač
17. Vanjska podloška rezne ploče
18. Vijak rezne ploče
19. Nepravilan način podlaganja
20. Pravilan način podlaganja
21. Edge Vodič
22. Drška, izolirana površina za hvatanje

SASTAVLJANJE

PRIKLJUČIVANJE BOCE VODE SA SLOBODNIM PADOM

Pogledajte sliku 2.

Boca vode sa slobodnim padom ugrađena je u ventilacijski otvor koji izjednačava tlak i omogućuje slobodniji potok vode.

- Uklonite bateriju.
- Odvrnite sklop mlaznice.
- Napunite bocu s vodom do željene razine. Nemojte prepuniti.
- Ponovno postavite sklop mlaznice.
- Držite bocu s vodom tako da je mlaznica okrenuta prema dolje.

NAPOMENA: Voda neće izlaziti iz boce osim ako nije otpušten vrh mlaznice.

- Umetnite bocu s vodom kao što je prikazano. Lagano pritisnite na bocu sve dok ne uskoči na mjesto.
- Za uklanjanje boce s vodom, otpustite gumb za oslobađanje boce s vodom.

NAPOMENA: Za suho rezanje ostavite montiranu bocu s vodom kako biste spriječili prašina i ostaci začepi sustav dovoda vode.

▲ OPREZ

Boca s vodom namijenjena je samo za vodu. Korištenje bilo kakve druge tekućine može oštetiti alat.

▲ UPOZORENJE

Rezna ploča od 101,6 mm je maksimalni kapacitet rezne ploče pile. Isto tako, nikada nemojte koristiti reznu ploču koja je predebela kako bi se omogućilo da se vanjska podloška rezne ploče aretira sa zaravnjanjem na osovini. Velike brusne ploče dolaze u kontakt sa štitnicima brusne ploče, dok će deblja rezna ploča spriječiti vijak rezne ploče da pričvrsti ploču na osovinu. Svaka od ovih situacija dovodi do ozbiljnih nesreća.

▲ UPOZORENJE

Nemojte koristiti rezne ploče označene za manje brzine bez opterećenja ovog alata. Nepoštivanje ovog upozorenja može dovesti do osobnih ozljeda. Nemojte koristiti rezne ploče s puknućima, razmacima ili zubima.

▲ UPOZORENJE

Nemojte koristiti nazubljene ili segmentirane rezne ploče. Koristite samo dijamentne rezne ploče punog obruba prikladne za zidarske materijale.

INSTALACIJA REZNE PLOČE

Pogledajte sliku 3.

- Uklonite bateriju iz pile.
- Uklonite ključ za reznu ploču (5 mm imbus ključ) iz prostora za pohranu.
- Otpustite gumb za blokiranje osovine i uklonite ploču i vanjsku podlošku rezne ploče.

NAPOMENA: Za uklanjanje zakrenite vijak ploče u smjeru kretanja kazaljki na satu.

▲ OPREZ

Za sprečavanje oštećenja osovine ili blokade osovine, uvijek dopustite motoru da se potpuno zaustavi prije uključivanja blokade osovine.

NAPOMENA: Nemojte pokretati pilu dok je uključena blokada osovine.

- Obrisite iskapano ulje na unutrašnjoj i vanjskoj podlošci rezne ploče gdje dodiruju ploču.

▲ UPOZORENJE

Ako je unutarnja podloška rezne ploče uklonjena, ponovno je postavite prije postavljanja rezne ploče na osovinu. Nepridržavanje ove upute može dovesti do nesreće budući da ploča nije pravilno pritegnuta.

Hrvatski

- Ponovno postavite vanjsku podlošku rezne ploče.
- Otpustite gumb za blokiranje osovine te potom ponovno postavite vijak ploce. Pritegnite cvrsto vijak rezne ploce zakrecuci ga u smjeru suprotnom od kretanja kazaljki na satu.
- Vratite ključ za reznu ploču u prostor za pohranu.

NAPOMENA: Nikada nemojte koristiti reznu ploču koja je predebela kako bi se omogućilo da se vanjska podloška rezne ploce aretira sa zaravnanjem na osovini.

RAD

⚠ UPOZORENJE

Prilikom rada s pilama za pločice uvijek nosite mask za prašinu. Nepoštovanje ove upute može dovesti do ozbiljnih osobnih ozljeda.

⚠ UPOZORENJE

Prilikom rada s uređajem uvijek nosite zaštitn naočale ili zaštitne naočale s bočnim štitnicima. Nepoštovanje ovog upozorenja može dovesti do prskanja stranih tijela u vaše oči i prouzročiti teške ozljede oka.

⚠ UPOZORENJE

Nemojte koristiti nikakve priključke ili dodatni pribor koji nije preporučen od strane proizvođača uređaja. Uporaba dijelova i dodatne opreme koje nije preporučio proizvođač može dovesti do teških ozljeda.

ZNAČAJKE ZAŠTITE BATERIJE

RYOBI litij-ionske baterije od 18 V su dizajnirane s funkcijom zaštite litij-ionskih ćelija i maksimiziranja vijeka trajanja baterije. Pod nekim radnim uvjetima, ugradnja ove baterije stoga može uzrokovati da se baterija i alat drugačije napajaju za rad od nikal-kadmijumskih baterija.

Tijekom nekih primjena, elektronika baterije može signalizirati bateriji da se isključi i time prouzročiti da se alat prestane pokretati. Za ponovno postavljanje baterije i alata otpustite sklopku za pokretanje i nastavite normalno raditi.

NAPOMENA: Za sprečavanje budućeg isključivanja baterije, izbjegavajte siliti alat.

Ako otpuštanje sklopke za pokretanje nije ponovno postavilo bateriju i alat, baterija je prazna. Ako je prazna, baterija će se početi puniti kad se postavi na punjač za litij-ionsku bateriju.

INSTALACIJA BATERIJE

Pogledajte sliku 4.

- Postavite bateriju u pilu. Poravnajte povišeni rub na

bateriji s utorom u pili, te potom umetnite bateriju u pilu.

- Prije početka rada provjerite jesu li jezičci na obim stranama baterije nasjeli u mjesto i da li je baterija učvršćena na pili.

⚠ UPOZORENJE

Uvijek uklonite bateriju iz alata kad sklapate dijelove, vršite podešavanja, čistite ili kad se alat ne koristi. Uklanjanje baterije sprječava slučajno pokretanje koje može dovesti do ozbiljne osobne ozljede.

UKLANJANJE BATERIJE

Pogledajte sliku 4.

- Pronađite jezičke na stranama baterije i otpustite ih kako biste otpustili bateriju iz pile.
- Uklonite bateriju iz pile.

REZNE PLOČE

Najbolje rezne ploče neće učinkovito rezati ako su tupe ili jako istrošene. Korištenje tupih reznih ploča teško opterećuje pilu. Držite dodatne ploče pri ruci tako da su oštre ploče uvijek na raspolaganju.

POKRETANJE/ZAUSTAVLJANJE PILE

Pogledajte sliku 5.

Za pokretanje pile:

- Otpustite gumb za blokiranje.
- Pritisnite sklopku za pokretanje.

Uvijek dopustite ploči da dostigne najveću brzinu i potom uvedite pilu u izradak.

Za zaustavljanje pile:

- Otpustite sklopku za pokretanje.

Nakon što ste otpustili sklopku za pokretanja dopustite ploči da se potpuno zaustavi. Nemojte uklanjati pilu iz izratka dok se ploča pokreće.

BLOKADA OTPONCA

Pogledajte sliku 5.

Gumb za blokiranje smanjuje mogućnost nehotičnog pokretanja. Gumb za blokiranje nalazi se na ručki iznad sklopke za pokretanje. Prije povlačenja sklopke za pokretanje mora se otpustiti gumb za blokiranje. Blokada se postavlja svaki puta kad je sklopka otpuštena.

NAPOMENA: Možete otpustiti gumb za blokadu ili s lijeve ili s desne strane.

PODEŠAVANJE DUBINE REZNE PLOČE

Pogledajte sliku 6.

Uvijek održavajte točno postavljenu dubinu ploče. Točna postavka dubine ploče za sve rezove ne smije premašivati 6,35 mm ispod materijala koji se reže. Veća dubina ploče povećava šansu za povratnim udarom i dovodi do grubog reza. Za veću točnost dubine reza, tablica se nalazi na



Hrvatski

stražnjem nosaču.

- Olabavite gumb za podešavanje dubine.
- Odredite željenu dubinu reza.
- Pronađite dubinu na reznoj tablici na stražnjem nosaču.
- Držite ravnu površinu postolja naspram izratka i podignite ili smanjite pilu sve dok se pokazivačka oznaka na nosaču na poravna s zarezom na štitniku rezne ploče.
- Čvrsto pritegnite gumb za podešavanje dubine.

RAD S PILOM

Pogledajte sliku 7 - 8.

Vrlo je važno da shvatite točan način za rad s pilom. Pogledajte slike u ovom poglavlju kako biste saznali pravilne i nepravilne načine za rukovanje s pilom.

UPOZORENJE

Kada dižete pilu s izratka, ploča je izložena na donjoj strani pile.

Za najbolje moguće rezove:

- Čvrsto držite pilu s obje ruke.
- Izbjegavajte tijekom rezanja postavljati ruku na izradak.
- Poduprite izradak tako da je rez (zasjek) uvijek na vašoj strani.
- Poduprite izradak pored reza.
- Stegnite čvrsto izradak tako da se ne miče tijekom rezanja.
- Uvijek postavite pilu na izradak koji je oslonjen, ne na dio „koji se reže“.
- Postavite izradak s "dobrom" stranom prema dolje.
- Prije početka nacrtajte liniju uzduž željene linije rezanja.

REZANJE

Pomoću markera ili obične olovke uvijek na pločici nacrtajte liniju koja će se rezati. Ako je pločica sjajna i teško se označava, postavite markirajuću traku na pločicu i označite traku.

Najčešći problem prilikom rezanja pločice je držanje označene linije. Kad jednom skrenete s linije, ne možete siliti reznu ploču natrag na liniju na način da uvijate pilu. Umjesto toga, vratite se i ponovno režite pločicu odrezujući malu količinu pločice sve dok se pila ne vrati na liniju.

Za izbjegavanje ovog problema, za vršenje rezanja u koso i miter rezanja koristite ravnu vodilicu za rub gdje got je moguće. Ako režemo po želji, to treba vršiti na otvorenom.

KORIŠTENJE VODILICE ZA RUBOVE

Pogledajte sliku 9.

Vodilicu za rubove koristite kada pilom morate raditi duge

ili široke rezove.

1. Izvadite bateriju iz alata.
2. Postavite vodilicu za rubove kroz utore u postolju pile.
3. Podesite vodilicu za rubove na potrebnu širinu.
4. Čvrsto zategnite krilati vijak.

Kada upotrebljavate vodilicu za rubove, položite ju licem čvrsto polegnutom na rub radnog komada. Tako ćete moći izvoditi rezove bez zaglavljivanja noža pile. Kako bi vaš rez bio ravan, rub radnog komada prema kojemu se vodilicom vodi nož pile mora biti ravan. Radite pažljivo kako nož pile ne bi zapeo u rezu.

ODRŽAVANJE

UPOZORENJE

Prilikom servisiranja koristite samo identične RYOBI zamjenske dijelove. Korištenje nekih drugih dijelova može dovesti do opasnosti ili uzrokovati oštećenje alat.

Prilikom čišćenja plastičnih dijelova izbjegavajte koristiti kemijska sredstva. Većina plastika je podložna oštećenju od različitih vrsta komercijalnih kemijskih sredstava za čišćenje i mogu se oštetiti prilikom njihovog korištenja. Za uklanjanje prljavštine, prašine, ulja, masnoće itd., koristite čistu krpu.

UPOZORENJE

Nikada ne dopustite kontakt plastičnih dijelova s tekućinom za kočnice, benzinom, proizvodima na bazi petroleja, sredstvima za odmašćivanje, idr. Kemijske mogu oštetiti, oslabiti ili uništiti plastiku što može dovesti do ozbiljnih osobnih ozljeda.

Nemojte zlorabiti alat. Postupci zlorabljenja mogu oštetiti alat kao i izradak.

UPOZORENJE

Nemojte pokušavati modificirati ovaj alat ili izraditi dodatni pribor koji nije preporučeno za korištenje uz ovaj alat. Svaki takav dodatak ili modifikacija je pogrešna uporaba i može rezultirati opasnim stanjem dovodeći do mogućih ozbiljnih osobnih ozljeda.



Hrvatski

ZAŠTITA OKOLIŠA



Sirovine reciklirajte, umjesto da ih odlažete kao otpad. Kako biste zaštitili okoliš, alat, dodatke i ambalažu treba odvojeno baciti u otpad.

SIMBOLI



Sigurnosno upozorenje



CE usklađenost



EurAsian znak konformnosti



Ukrajinska oznaka za sukladnost



Nosite zaštitu za vid



Molimo da pažljivo pročitate upute prije pokretanja stroja.



Nosite odgovarajuću zaštitu za vid, sluh i disanje.



Kamen



Mramor



Keramika



Porculan



Otpadni električni proizvodi ne treba da se odlažu s otpadom iz domaćinstva. Molimo da reciklirate gdje je to moguće. Potražite savjet od lokalnih vlasti ili prodavca kako reciklirati.



Slovensko

Pri snovanju vaše 18-voltna žage za ploščice za mokro / suho rezanje smo dali prednost varnosti, učinkovitosti in zanesljivosti.

NAMEN UPORABE

Ta izdelek lahko uporabljate za spodaj navedene namene:

- Mokro navzkrižno žaganje, vzdolžno žaganje in poševno žaganje keramičnih ploščic, tlakovcev in ploščic iz naravnega kamna.
- Za suho rezanje zgornjih materialov potrebujete poseben žagin list (ni priložen).

V izdelek lahko vstavite 18 V litij-ionsko baterijo RYOBI ONE+ in 18 V nikelj-kadmijsko baterijo RYOBI ONE+.

Za popolna navodila o polnjenju glejte Priročnik za upravljalca za svoje baterije in polnilnik baterij RYOBI ONE+.

⚠ OPOZORILO

Preberite vsa varnostna opozorila in navodila. Neupoštevanje opozoril in navodil lahko privede do električnega udara, požara in/ali resnih poškodb.

Vsa opozorila in vsa navodila shranite za bodočo referenco.

VARNOSTNA OPOZORILA ZA ŽAGO ZA KERAMIKO

- Varovalo, ki je priloženo orodju, mora biti trdno pritrjeno na orodje in nameščeno v takem položaju, da zagotavlja najboljšo zaščito tako, da je upravljalcu izpostavljen čim manjši del koluta. Vi in opazovalci se postavite proč od ravni vrtečega se koluta. Varovalo ščiti upravljalca pred delci, ki se odlomijo od koluta, in pred nenamernim stikom s kolutom.
- Z električnim orodjem uporabljajte le diamantne rezalne kolute. Samo dejstvo, da je dodatek mogoče priključiti na vaše električno orodje, ne zagotavlja varnega delovanja.
- Označena hitrost dodatka mora biti najmanj enaka maksimalni hitrosti, označeni na električnem orodju. Dodatki, ki delujejo hitreje, kot je njihova označena hitrost, se lahko polomijo in razletijo.
- Kolute smete uporabljati le za priporočeno uporabo. Zato, na primer, ne brusite s stranjo rezilnega koluta. Abrazivni rezalni koluti so namenjeni obrobnemu brušenju; stranske sile, ki delujejo na kolute lahko povzročijo, da se koluti zdobijo.
- Vedno uporabljajte nepoškodovane prirobnice kolotov pravičnega premera za izbrani kolot.

Ustrezne prirobnice kolotov podpirajo kolot in tako zmanjšujejo možnost, da se kolot zlomi.

- Zunanji premer in debelina vašega dodatka morata biti znotraj oznake zmogljivosti vašega električnega orodja. Dodatek nepravilne velikosti ne boste mogli ustrezno nadzorovati.
- Velikost osnikov koles in prirobnic se mora dobro prilegati vretenu električnega orodja. Če se pritrtilne izvrtine kolotov in prirobnic ne ujemajo z namestitvenimi elementi električnega orodja, koluti in prirobnice padejo iz ravnotežja, prekomerno vibrirajo in lahko povzročijo izgubo nadzora.
- Ne uporabljajte poškodovanih koles. Pred vsako uporabo preglejte, ali so koloti morebiti razpokani ali odkrušeni. Če vam električno orodje pade na tla, ga preglejte za primere poškodb oziroma namestite nepoškodovano kolo. Ko kolot pregledate in namestite, vi in opazovalci stopite proč od ravne vrtečega se koluta in orodje eno minuto pustiti delovati pri polni hitrosti brez obremenitve. Poškodovani koluti običajno v tem času preizkusa razpadejo.
- Nosite osebno varovalno opremo. Glede na uporabo orodja nosite obrazno masko in varnostna očala. Po potrebi nosite proti-prašno masko, zaščito za sluh, rokavice in delovni predpasnik, ki lahko zadrži drobne ostanke brušenja ali drobne delce obdelovanca. Očesna zaščita mora biti zadostna, da ustavi leteče drobce, ki nastajajo pri različnih operacijah. Proti-prašna maska ali dihalni aparat morata biti sposobna filtriranja delcev, ki nastajajo pri vašem delu. Daljša izpostavljenost zelo intenzivnemu hrupu lahko povzroči okvaro sluha.
- Pazite, da bodo morebitni gledalci dovolj oddaljeni od delovnega območja. Vsaka oseba, ki vstopi v delovno območje, mora nositi sredstva za osebno zaščito. Delci obdelovanca ali počenega koluta lahko odletijo stran in povzročijo poškodbe tudi zunaj neposrednega delovnega območja.
- Ko izvajate operacijo, pri kateri lahko dodatek za rezanje pride v stik s skritim ožičenjem ali s svojim lastnim kablom, držite električno orodje le na izoliranih površinah, predvidenih za držanje. Če se pripomočki za rezanje dotaknejo žice, ki je pod električno napetostjo, lahko izpostavljeni kovinski deli električnega orodja povzročijo električni udar.
- Nikoli ne odlagajte električnega orodja, dokler se dodatek ni popolnoma ustavil. Vrteči se kolot lahko zagradi površino in električno orodje vrže iz ravnotežja.
- Ne vključujte električnega orodja, kadar ga nosite ob telesu. Vrteče se orodje lahko nehote pride v stik z vašim oblačilom in potegne dodatek proti vam.
- Redno čistite zračne odprtine na električnem orodju. Ventilator motorja bo potegnil prah v ohišje,





Slovensko

preveliko nabiranje kovinskega prahu pa lahko povzroči električno tveganje.

- **Ne uporabljajte električnega orodja v bližini vnetljivih materialov.** Zaradi iskric se ti materiali lahko vžgejo.

OPOZORILA GLEDE POVRATNIH UDARCEV IN PODOBNIH PRIMEROV

Povratni udarec je takojšnja reakcija na stisnjenje ali zatik vrtečega se koluta. Če se kolut med vrtenjem stisne ali zatakne, to povzroči hitro zaustavitev koluta, s tem pa nenadzorovano električno orodje potisne v nasprotni smeri vrtenja koluta.

Na primer, če se brusno kolo zatakne ali zagozdi na obdelovancu, se lahko rob kolesa, ki vstopa v točko zatikanja, zakoplje v površino materiala, kar povzroči, da se kolo nenadoma pomakne ali skoči navzven. Kolo lahko poskoči proti uporabniku ali proč od njega, odvisno od smeri premikanja kolesa v trenutku zagozditve. Brusna kolesa lahko v takih pogojih tudi počijo.

Izogremo se mu lahko tako, da upoštevamo ustrezne previdnostne ukrepe, ki so navedeni v nadaljevanju.

- **Trdno držite električno orodje in postavite svoje telo in roko tako, da boste lahko kjubovali sili povratnega udarca.** Vedno uporabljajte pomožni ročaj, če je na voljo, saj boste imeli na ta način večji nadzor nad povratnim udarcem ali protivrtlilnim momentom v času zagona. Uporabnik lahko nadzira protivrtlilni moment ali silo povratnega udarca, če se je nanje pravilno pripravil.
- **Nikoli ne približujte roke vrtečemu se dodatku.** Dodatek lahko zaradi povratnega udarca sune v vašo roko.
- **Telesa ne imejte v liniji z vrtečim se kolutom.** Povratni udarec bo potisnil orodje v nasprotni smeri od premikanja kolesa v trenutku zagozditve.
- **Posebej bodite previdni pri obdelavi vogalov, ostrih robov itd.**
- **Izogibajte se poskakovanju in zaletavanju dodatka.** Zaradi vogalov, ostrih robov ali poskakovanja se lahko vrteči se dodatek zaleti, zaradi česar izgubite nadzor nad njim ali pride do povratnega udarca.
- **Ne pritrдите verižne žage, rezila za oblikovanje lesa, segmentiranega diamantnega koluta s perifernim razmikom večjim od 10 mm ali nazobčanega rezila.** Taka rezila pogosto povzročijo povratni udarec in izgubo nadzora.
- **Koluta ne "zagozdite" in nanj ne pritiskajte s preveliko silo. Ne poskušajte prekomerno zarezati v globino.** Prekomeren pritisk na kolut poveča obremenjenost in s tem dovzetnost za upogibanje ali zvijanje koluta v rezu ter možnost povratnega udarca ali zloma koluta.
- **Če se kolut upogiba ali če rezanje prekinete zaradi**

kateregakoli vzroka, izklopote orodje in ga držite v mirovanju, dokler se kolut popolnoma ne ustavi. Koluta nikoli ne poskušajte odstraniti iz reza, medtem ko se kolut premika, saj lahko pride do povratnega udarca. Preiščite situacijo in ukrepajte tako, da boste odstranili vzrok za ustavev kolesa.

- **Rezanja obdelovanca ne začnite znova. Kolut naj doseže polno hitrost, nato pa previdno ponovite rez.** Kolut se lahko upogne, nenadzorovano premakne ali udari nazaj, če električno orodje ponovno zaženete v obdelovancu.
- **Plošče ali prevelike obdelovance ustrezno podprite, da zmanjšate tveganje za stiskanje koluta in povratni udarec.** Veliki obdelovanci se lahko zaradi svoje lastne teže upognejo. Podpore morajo biti nameščene pod obdelovanec na obeh straneh, blizu linije rezanja in na robu obdelovanca.
- **Pri potopnem rezanju v obstoječo steno ali druge polne površine bodite posebej pazljivi.** Štrleči del koluta lahko reže plinske ali vodne cevi, električne žice ali predmete, ki lahko povzročijo povratni udarec.

DODATNA VARNOSTNA OPOZORILA

- Kadar rezila ne uporabljate, da shranite na suhem mestu in z njim delajte previdno.

DODATNA VARNOSTNA OPOZORILA ZA BATERIJO

▲ OPOZORILO

V izogib, s kratkim stikom povzročene nevarnosti požara, poškodb ali okvar na proizvodu, orodja, izmenljivega akumulatorja ali polnilne naprave ne potaplajte v tekočine in poskrbite, da ne bo prihajalo do vdora tekočin v naprave in akumulatorje. Korozivne ali prevodne tekočine, kot so slana voda, določene kemikalije in belila ali proizvodi, ki le vsebujejo, lahko povzročijo kratek stik.

PREVAŽANJE LITIJEVIH AKUMULATORJEV

Akumulator prevažajte v skladu z lokalnimi in državnimi uredbami in predpisi.

Upoštevajte vse posebne zahteve glede pakiranja in označevanja, kadar prevoz opravlja tretja oseba. Zagotovite, da akumulatorji med prevozom ne morejo priti v stik z drugimi akumulatorji ali prevodnimi materiali, tako da zaščitite izpostavljene konektorje z neprevodnimi izolacijskim pokrovčki ali trakom. Ne prevažajte poškodovanih akumulatorjev oz. akumulatorjev, ki puščajo. Za nadaljnje informacije se obrnite na posredništvo.



Slovensko

OPIS

1. Gumb za zaklep delovanja
2. Gumb za blokado vretena
3. Stopnja nagiba
4. Gumb za nastavitev nagiba
5. Gumb za nastavitev robnega vodila
6. Rezilni žagin list
7. Podstavek
8. Gumb za nastavitev pretoka
9. Gumb za odprtje posode z vodo
10. Posoda z vodo
11. Gumb za nastavitev globine
12. Prostor za shranjevanje ključa za žagin list
13. Baterija (ni priložena)
14. Sprožilo stikala
15. Notranja podložka žaginega lista
16. Kolo
17. Zunanja podložka žaginega lista
18. Vijak za žagin list
19. Nepravilen način podpore
20. Pravilen način podpore
21. Stransko vodilo
22. Ročaj, izolirano držalo

MONTAŽA

NAMEŠČANJE GRAVITACIJSKO POLNJENE POSODE Z VODO

Glejte sliko 2.

Gravitacijsko polnjena posoda z vodo ima vgrajen zračnik, ki uravnava tlak in omogoča, da voda teče bolj prosto.

- Odstranite baterijo.
 - Odvijte sestav šobe.
 - Napolnite posodo z vodo do zelenega nivoja. Ne natočite preveč vode.
 - Ponovno namestite sestav šobe.
 - Držite posodo z vodo tako, da je šoba usmerjena navzdol.
- OPOMBA:** Voda iz posode ne bo uhajala, razen če pritisnete konec šobe.
- Vstavite posodo z vodo, kot je prikazano. Posodo nežno pritisnite, tako da se zaskoči na mesto.
 - Če želite sneti posodo z vodo, pritisnite gumb za sprostitve posode.

OPOMBA: Za suho rezanje, pustite vodo nameščeno, da se na dovajalnem sistemu za vodo ne naberejo smeti in prah, ki bi sistem zamašili.

⚠ POZOR

Posoda za vodo je narejena le za vodo. Ob uporabi katere koli druge tekočine, lahko poškodujete orodje.

⚠ OPOZORILO

Največja velikost žaginega lista za to žago je 101,6 mm. Nikoli ne uporabljajte lista, ki je predebel, da bi pritrdili zunanjo podložko na vreteno. Večji listi pridejo v stik z varovali rezila, medtem ko širši listi povzročijo, da vijaka ni mogoče dobro pritrditi na vreteno. V takšnih primerih lahko pride do hude nesreče.

⚠ OPOZORILO

Ne uporabljajte žaginskih listov razreda, ki je manjši kot je št. vrtljajev brez obremenitve tega orodja. Če tega opozorila ne upoštevate, lahko pride do telesnih poškodb. Ne uporabljajte počenih ali deformiranih žaginskih listov.

⚠ OPOZORILO

Nikoli ne uporabljajte ozobljenih ali segmentiranih listov. Uporabite le stalno obrobljene diamantne liste, ki so primerni za zidne materiale.

NAMEŠČANJE ŽAGINEGA LISTA

Glejte sliko 3.

- Baterijo vzemite iz žage.
- Iz prostora za ključ vzemite ključ za žagin list (5 mm šestkotni ključ).
- Pritisnite gumb za zaklep vretena in odstranite vijak žaginega lista in zunanjo podložko lista.

OPOMBA: Vijak lista zavrtite v smeri urinega kazalca in ga tako odvijte.

⚠ POZOR

Da bi preprečili, da se vreteno in zaklep vretena poškodujeta, vedno počakajte, da se motor popolnoma zaustavi, preden zaklep vretena aktivirate.

OPOMBA: Žage ne zaganjajte, kadar je aktiviran zaklep vretena.

- Nanesite kapljico olja na notranjo in zunanjo podložko lista, kjer se ga dotikata.

Slovensko

⚠ OPOZORILO

Če je bila notranja podložka lista odstranjena, jo nadomestite, preden žagin list namestite na vreteno. Če tega ne upoštevate, lahko pride do nesreče, saj list ne bo pravilno pritrjen.

- Ponovno namestite zunanjo podložko lista.
- Pritisnite gumb za zaklep vretena in nato ponovno privijte vijak lista. Vijak trdno privijte, tako da ga vrtnice proti smeri urinega kazalca.
- Ključ za list vrnite na njegovo mesto.

OPOMBA: Nikoli ne uporabljajte žaginega lista, ki je predebel, da bi pritrjili zunanjo podložko na vreteno.

DELOVANJE**⚠ OPOZORILO**

Pri delu z žago za ploščice vedno nosite protiprašno masko. Neupoštevanje tega nasveta se lahko odrazi v hudih poškodbah.

⚠ OPOZORILO

Vedno nosite zaščitna očala s stranskimi ščitniki, ko uporabljate izdelke. Če tega ne storite, vam lahko v oko prileti predmet in povzroči resno poškodbo.

⚠ OPOZORILO

Ne uporabljate priključkov ali dodatkov, ki jih proizvajalec tega izdelka ne priporoča. Uporaba sestavnih delov ali pribora, ki niso priporočeni, lahko povzroči hude telesne poškodbe.

ZAŠČITNE LASTNOSTI BATERIJE

18 V litij-ionske baterije RYOBI imajo lastnosti, ki ščitijo litijionske celice in podaljšujejo življenjsko dobo baterije. V nekaterih okoliščinah delovanja te lastnosti lahko povzročijo, da se baterija in orodje, ki ga baterija napaja, obnašata drugače kot z nikelj-kadmijskimi baterijami.

V nekaterih primerih rabe lahko elektronika baterije bateriji da signal, da se ugasne, s tem pa naprava preneha delovati. Če želite ponastaviti baterijo in orodje, sprostite sprožilec in nadaljujte z običajnim delovanjem.

OPOMBA: V izogib nadaljnjim izklopom baterije orodja ne uporabljajte na silo.

Če se s sprostitvijo sprožilca baterija in orodje ne ponastavita, je baterija izpraznjena. Če je izpraznjena, se bo baterija začela polniti, ko jo postavite na litij-ionski polnilnik.

NAMEŠČANJE BATERIJE

Glejte sliko 4.

- Baterijo vstavite v žago. Poravnajte dvignjen jeziček baterije z utorom v žagi in nato potisnite baterijo v žago.
- Zapaha na vsaki strani baterije se morata zaskočiti na svoje mesto. Pred začetkom dela zagotovite, da je baterija dobro nameščena v žagi.

⚠ OPOZORILO

Med sestavljanjem delov, prilagajanjem nastavitve, čiščenjem ali ko orodja ne uporabljate, vedno odstranite baterijo. Če odstranite baterijo, se naprava ne bo mogla zagnati sama od sebe in ne bo povzročila hudih poškodb.

ODSTRANJEVANJE BATERIJE

Glejte sliko 4.

- Poglejte, kje se nahajata zapaha na obeh straneh baterije, in ju pritisnite ter tako odstranite baterijo iz polnilnika.
- Baterijo vzemite iz žage.

ŽAGINI LISTI

Tudi najboljši žagini listi ne bodo rezali učinkovito, če so topi ali izrabljeni. Z uporabo topega žaginega lista boste povzročili precejšnje obremenitev žage. Vedno imejte na razpolago dodatne liste, da bodo ostri listi vedno pri roki.

ZAGON/USTAVITEV ŽAGE

Glejte sliko 5.

Za zagon žage:

- Pritisnite gumb za zaklep.
- Pritisnite sprožilno stikalo.

Vedno počakajte, da list doseže polno hitrost in nato vodite žago v obdelovanec.

Za ustavitev žage:

- Spustite sprožilno stikalo.

Potem ko sprožilno stikalo spustite, počakajte, da se list popolnoma zaustavi. Ne odstranite žage iz obdelovanca, medtem ko se list vrti.

GUMB ZA ZAKLEP DELOVANJA

Glejte sliko 5.

Gumb za zaklep zmanjša možnost nenamernega zagona. Gumb za zaklep se nahaja na ročaju nad stikalom sprožila. Gumb za zaklep morate pritisniti preden pritisnete na stikalo sprožila. Zaklep se povrne v prvotni položaj vsakokrat, ko sprožilec sprostite.

OPOMBA: Gumb za zaklep lahko pritisnete z leve ali z desne strani.



Slovensko

NASTAVITEV GLOBINE LISTA

Glejte sliko 6.

Vedno pazite, da bo nastavev globine pravilna. Nastavev globine lista za kakršno koli rezanje ne sme presegati 6,35 mm pod materialom, ki ga režete. Večja globina lista bo povečala možnost povratnega udara in povzročila, da je rez pregrob. Za večjo natančnost globine reza se na zadnjem okviru nahaja skala.

- Odvijte gumb za nastavev globine.
- Določite zeleno globino reza.
- Poiščite skalo za globino reza na zadnjem okviru.
- Osnovo držite ravno na obdelovancu in dvignite ali spustite žago, tako da se oznaka na okviru poravnava z zarezo na vodilu lista.
- Gumb za nastavev globine dobro privijte nazaj.

UPRAVLJANJE ŽAGE

Glejte sliko 7 - 8.

Pomembno je, da razumete pravilen način za upravljanje žage. Glejte slike v tem poglavju, da bi se naučili pravilnega in nepravilnega načina za rokovanje z žago.

OPOZORILO

Ko žago dvigujete z obdelovanca, je žagin list na spodnji strani žage izpostavljen.

Za najboljši možen rez:

- Trdno držite žago z obema rokama.
- Izogibajte se polaganju roke na obdelovanec, medtem ko ga režete.
- Obdelovanec podprite tako, da je rez (zareza) vedno v smeri proti vam.
- Obdelovanec podprite blizu reza.
- Obdelovanec trdno ukleščite, tako da se med rezom ne more premakniti.
- Žago vedno namestite na obdelovanec, ki je podprt, ne na del, ki bo odrezan.
- Obdelovanec položite z »lepo« stranjo navzdol.
- Preden začnete z rezanjem, narišite vodilno črto, kjer želite, da rez poteka.

REZANJE

S flomastrom ali debelim svinčnikom na ploščico vedno narišite črto, kjer bo potekal rez. Če ima ploščica sijaj in je ni lahko označiti, nanjo namestite lepilni trak in črto narišite na trak.

Običajna težava pri rezanju je, da ploščica uide iz začrtane črte. Če se to zgodi, žaginega lista ne morete več prisiliti nazaj na črto z obračanjem ploščice. Namesto tega povlecite žago nazaj in ploščico ponovno odrežete, tako da odrežete majhen del ploščice, dokler ni list zopet

v pravi liniji.

Da bi se tej težavi izognili, kadar je mogoče uporabite vodilo z ravnimi robovi za navzkržne reze in reze pod kotom 45 stopinj. Mokro rezanje je potrebno izvajati na prostem.

UPORABA KOTNEGA VODILA

Glejte sliko 9.

Kotno vodilo uporabite za dolge ali široke stranske reze z žago.

1. Baterijo vzemite iz orodja.
2. Kotno vodilo vstavite skozi reži v podstavku žage.
3. Kotno vodilo nastavite na zeleno širino.
4. Krlitati vijak trdno privijte.

Pri uporabi kotnega vodila njegovo prednjo stran potisnite ob rob obdelovanca. S tem omogočite popoln rez, ne da bi pri tem stiskali rezilo. Če želite zagotoviti raven rez, mora biti vodilni rob obdelovanca prav tako raven. Pazite, da se rezilo ne zagodži v rez.

VZDRŽEVANJE

OPOZORILO

Pri servisiranju uporabljajte le originalne RYOBI rezervne dele. Uporaba drugih delov lahko pomeni tveganje ali povzroči škodo na izdelku.

Pri čiščenju plastičnih delov se izogibajte topilom. Večina vrst plastike se poškoduje, če uporabljate različne vrste komercialnih topil. Uporabite čiste krpe za odstranjevanje prahu, umazanije, olja, masti itd.

OPOZORILO

Zavorna tekočina, gorivo, izdelki na osnovi nafte, prodirajoče olje ipd. nikoli ne smejo priti v stik s plastičnimi deli. Kemikalije lahko poškodujejo, oslabijo ali uničijo plastiko, kar lahko ima za posledico tudi resne telesne poškodbe.

Ne zlorablajte električnih orodij. Taka dejanja lahko poškodujejo orodje in obdelovanca.

OPOZORILO

Tega orodja ne spreminjajte in ne izdelujte dodatkov, ki niso priporočljivi za uporabo s tem orodjem. Vsako tako spreminjanje je zloraba in lahko privede do tveganj, ta pa do hudih osebnih poškodb.



Slovensko

ZAŠČITA OKOLJA



Namesto, da napravo zavržete, reciklirajte surovine. Napravo, pribor in embalažo je treba sortirati za okolju prijazno recikliranje.

SIMBOLI



Varnostno opozorilo



Skladnost CE



EurAsian oznaka o skladnosti



Ukrajinska oznaka za skladnost



Nosite zaščito za oči



Prosimo, da si pred zagonom naprave pozorno preberete navodila



Nosite zaščito za oči, ušesa in dihala.



Kamen



Marmor



Keramični



Porcelan



Odpadne električne izdelke ne odlagajte skupaj z ostalimi gospodinjstskimi odpadki. Reciklažo opravljajte na predpisanih mestih. Za nasvet se obrnite na lokalne oblasti.

Slovenčina

Na dosiahnutie jednoduchého obsluhu a prevádzky boli pri navrhovaní tejto 18 V vŕtačky do dlaždíc na mokro/sucho najvyššou prioritou bezpečnosť, výkon a spoľahlivosť.

ÚČEL POUŽITIA

Tento produkt môžete použiť na účely uvedené nižšie:

- Mokré priečne rezanie, štiepavé rezanie a rezanie pod sklom ručne vyrobených obkladačiek, dlaždíc a dlaždícových materiálov z prírodného kameňa.
- Pre suché rezanie vyššie uvedených materiálov sa vyžaduje špeciálny rezací kotúč (nedodáva sa).

Do tohto produktu sú vhodné 18V lítium-iónové jednotky akumulátorov RYOBI ONE+ a 18V nikel-kadmiové jednotky akumulátorov RYOBI ONE+.

Ak chcete úplné inštrukcie týkajúce sa nabíjania, pozrite si návod na prevádzku pre úpravu batérií RYOBI ONE+ a modely nabíjačky.

⚠ VAROVANIE

Prečítajte si všetky bezpečnostné výstrahy a pokyny. Ak nerešpektujete a inštrukcie, môže to mať za následok úraz elektrickým prúdom, požiar a/alebo vážne zranenie.

Odložte všetky výstrahy a pokyny pre budúce použitie.

PÍLA NA DLAŽDICE – BEZPEČNOSTNÉ VÝSTRAHY

- Ochranný kryt pribalený k nástroju musí byť bezpečne nasadený na elektrickom nástroji a v polohe zaručujúcej maximálnu bezpečnosť, aby smerom k obsluhujúcemu bola vystavená čo najmenšia časť kotúča. Postavte sa, vy aj okolostojace osoby, mimo roviny rotujúceho kotúča. Kryt chráni obsluhujúceho od odlomených úlomkov kotúča a zabraňuje neúmyselnému kontaktu s kotúčom.
- Používajte len diamantové rozbrusovacie kotúče určené pre váš nástroj. To, že príslušenstvo sa dá nasadiť na váš elektrický nástroj, ešte neznamená, že bude pri tom zaistená bezpečná prevádzka.
- Menovitá rýchlosť príslušenstva môže byť maximálne rovnaká maximálnej rýchlosti vyznačenej na elektrickom náradí. Príslušenstvo pracujúce na vyššej ako svojej menovitej rýchlosti, sa môže rozbiť a rozpadnúť.
- Kotúče možno používať len pre odporúčané aplikácie. Napríklad, nebrúste s bočnou stranou rozbrusovacieho kotúča. Abrázívne rozbrusovacie kotúče sú určené pre periférne brúsenie, inak by bočné sily aplikované na tieto kotúče mohli zapríčiniť

ich rozlomenie.

- Vždy používajte nepoškodené príruby kotúčov správneho priemeru pre váš zvolený kotúč. Správne príruby kotúčov podopierajú kotúč, a tým znižujú pravdepodobnosť zlomenia kotúča.
- Vonkajší priemer a hrúbka vášho príslušenstva musí byť v rozmedzí menovitej kapacity elektrického náradia. Príslušenstvo nepravnej veľkosti nie je možné primerane viesť a ovládať.
- Veľkosť upínacích otvorov a prírub musí správne sadnúť na vreteno elektrického nástroja. Kotúče a príruby s upínacími otvormi, ktoré nezodpovedajú montážnemu náradiu elektrického nástroja, sa dostanú mimo rovnováhu, spôsobia nadmerné vibrácie a môžu spôsobiť stratu kontroly.
- Nepoužívajte poškodené kotúče. Pred každým použitím skontrolujte kotúče, či neobsahujú úlomky a praskliny. Ak elektrický nástroj alebo kotúč spadnú, skontrolujte prípadné poškodenie alebo namontuje nepoškodený kotúč. Po skontrolovaní a namontovaní kotúča sa postavte vy aj okolostojaci mimo roviny rotujúceho kotúča a na jednu minútu spustite elektrický nástroj na maximálnu rýchlosť bez záťaže. Poškodené kotúče sa zvyčajne počas tohto testu rozpadnú.
- Používajte osobné ochranné prostriedky. V závislosti od použitia používajte chránič na tvár, ochranné alebo bezpečnostné okuliare. Podľa potreby používajte protiprachovú masku, chrániče sluchu, rukavice a pracovnú zásteru schopnú zachytiť malé úlomky brusiva alebo obrobku. Chránič zraku musí byť schopný zastaviť odletujúce úlomky vytvárané pri rôznych úkonoch. Protiprachová maska alebo respirátor musia byť schopné filtrovať častičky vytvárané pri vašej činnosti. Dlhodobé vystavovanie hluku môže spôsobiť stratu sluchu.
- Okolostojacich udržiavajte v bezpečnej vzdialenosti od pracoviska. Každá osoba, ktorý vstúpi do oblasti pracoviska, musí mať osobné ochranné pomôcky. Úlomky obrobku alebo poškodené kotúče môžu odletieť a spôsobiť poranenie aj mimo bezprostredného miesta práce.
- Pri vykonávaní operácie, kedy môže rezacie náradie prísť do kontaktu so skrytým vedením alebo vlastným káblom, držte náradie za izolované úchopné miesta. Pri kontakte rezacieho príslušenstva so „živým“ vodičom by mohli byť obnažené kovové diely pod prúdom a spôsobiť obsluhujúcemu úder elektrickým prúdom.
- Nikdy elektrický nástroj neodkladajte, kým sa príslušenstvo úplne nezastavilo. Otáčajúci sa kotúč môže zachytiť a stiahnuť elektrický nástroj mimo vašu kontrolu.
- Nikdy nespúšťajte elektrické náradie, keď ho

Slovenčina

nosíte na boku. Pri náhodnom kontakte s otáčajúcim sa príslušenstvom by vám mohlo zachytiť odev a stiahnuť príslušenstvo smerom na vaše telo.

- **Pravidelne čistite vzduchové prieduchy elektrického náradia.** Ventilátor motora vťahuje prach dovnútra a nadmerné nahromadenie práškoveho kovu môže spôsobiť ohrozenie elektrickým prúdom.
- **Nepracujte s elektrickým náradím v blízkosti zápalných materiálov.** Iskry mohli spôsobiť vznietenie týchto materiálov.

SPÄTNÝ NÁRAZ A SÚVISIACE VÝSTRAHY

Spätný náraz je náhla reakcia na zovretie alebo pritlačenie kotúča. Zoškrtenie alebo pritlačenie spôsobí náhle spomalenie otáčajúceho sa kotúča, čo zase spôsobí nekontrolované uskočenie elektrického nástroja v opačnom smere ako otáčanie kotúča v momente zovretia. Napríklad, ak obrobok priškrtní alebo pritlačí rozbrusovací kotúč, okraj kotúča vstupujúceho do bodu priškrtenia môže spôsobiť jeho vrytie do povrchu materiálu, čo spôsobí vyťahnutie alebo vykopnutie kotúča. Kotúč môže byť vyskočiť dopredu alebo dozadu od obsluhujúcej osoby, v závislosti od smeru pohybu kotúča v momente priškrtenia. Za týchto podmienok môžu tiež prasknúť abrazívne kotúče.

Spätný náraz je výsledok nesprávneho používania nástroja a/alebo nesprávnych prevádzkových postupov a možno mu predchádzať vykonávaním príslušných predbežných opatrení uvedených nižšie.

- **Udržiavajte pevný úchop elektrického náradia a vaše telo a rameno v polohe, ktorá vám umožní odolávať sile spätného nárazu.** Vždy používajte aj pomocnú rukoväť, ak je namontovaná, aby ste dosiahli maximálnu kontrolu nad spätným nárazom alebo momentovou reakciou pri spustení. Sily spätného nárazu alebo momentových reakcií môže obsluhujúca osoba ovládnuť, ak vykoná príslušné protiopatrenia.
- **Nikdy nedávajte ruku do blízkosti otáčajúceho sa príslušenstva.** Príslušenstvo môže vykonať spätný náraz do vašej ruky.
- **Nepríbližujte sa telom do línie otáčajúceho sa kotúča.** Spätný náraz odhodí náradie opačným smerom od smeru pohybu kotúča v momente priškrtenia.
- **Pri opravovaní rohov, ostrých hrán a pod. buďte zvlášť opatrní.**
- **Zabráňte odskakovaniu a zadržávaniu príslušenstva.** Rohy, ostré hrany alebo odskakovanie majú tendenciu zadržnúť príslušenstvo a spôsobiť stratu kontroly alebo spätný náraz.
- **Nenasadzujte reťazovú pílu, rezbárske ostrie, segmentovaný diamantový kotúč s obvodovou medzerou väčšou ako 10 mm alebo ozubené pílové ostrie.** Takéto ostria často spôsobujú spätný

náraz a stratu kontroly

- **Dbajte na to, aby nedošlo k „zaseknutiu“ kotúča ani naň nevyvíjajte nadmerný tlak. Nevykonávajte rezy nadmernej hĺbky.** Pretažovanie kotúča zvyšuje zaťaženie a náchylnosť ku skrúteniu alebo zovretiu kotúča v reze a pravdepodobnosť spätného nárazu alebo prasknutia kotúča.
- **Keď sa kotúč zoviera alebo sa rezanie z akéhokoľvek dôvodu preruší, vypnite elektrický nástroj a podržte ho nehybne, kým sa kotúč úplne nezastaví. Nikdy sa nepokúšajte vybrať kotúč z rezu, kým sa tento pohybuje, inak môže dôjsť k spätnému nárazu.** Zistite a vykonajte nápravné kroky a eliminujte príčinu zovierania kotúča.
- **Nespúšťajte znova rezanie v obrobku. Počkajte, kým kotúč dosiahne maximálnu rýchlosť a potom znova vojdite do rezu.** Pri opätovnom spustení elektrického nástroja v obrobku sa kotúč môže zovrieť, vysunúť alebo spätné naraziť.
- **Panely či iné nadmerné obrobky podoprite, aby sa minimalizovalo riziko zovretia kotúča a spätného nárazu.** Veľké obrobky sa zvyknú prehýbať pod vlastnou váhou. Podpery sa musia umiestniť pod obrobok v blízkosti línie rezania a v blízkosti okraja obrobku na oboch stranách kotúča.
- **Pri vykonávaní „vreckového rezu“ do existujúcich stien či iných neprehľadných povrchov.** Prečnievajúci kotúč môže prerezať plynové alebo vodovodné potrubie, elektrické vedenie alebo objekty, ktoré môžu zapríčiniť spätný náraz.

AKUMULÁTOR – BEZPEČNOSTNÉ VÝSTRAHY

- Keď sa ostria nepoužívajú, je potrebné ich odložiť na suché miesto a manipulovať s nimi opatrne.

DOPLNKOVÉ BEZPEČNOSTNÉ VÝSTRAHY PRE BATÉRIU

⚠ VAROVANIE

Aby ste zabránili nebezpečenstvu požiaru spôsobeného skratom, poraneniam alebo poškodeniam výrobku, neponárajte náradie, výmennú batériu alebo nabíjačku do kvapalín a postarajte sa o to, aby do zariadení a akumulátorov nevnikli žiadne tekutiny. Korodujúce alebo vodivé kvapaliny, ako je slaná voda, určité chemikálie a bieliace prostriedky alebo výrobky, ktoré obsahujú bieliadlo, môžu spôsobiť skrat.

PREPRAVA LÍTIOVÝCH AKUMULÁTOROV

Akumulátor prepravujte v súlade s miestnymi smernicami a nariadeniami.

Slovenčina

Keď akumulátory prepravuje tretia strana, dodržiavajte všetky požiadavky na balení a označení. Zabezpečte, aby počas prepravy akumulátory neprišli do kontaktu s inými akumulátormi ani vodivými materiálmi – chráňte obnažené konektory pomocou izolácie, nevodivými viečkami alebo páskou. Neprepravujte akumulátory, ktoré sú prasknuté alebo vytekajú. Ďalšie pokyny zistíte u nasledujúcej spoločnosti.

POPIS

1. Poistné tlačidlo
2. Tlačidlo blokovania vretena
3. Stupnica skosenia
4. Tlačidlo uzamknutia úkosu
5. Tlačidlo uzamknutia vodidla okraja
6. Rezací kotúč
7. Základňa
8. Tlačidlo nastavenia prietoku
9. Tlačidlo uvoľnenia vodnej fľaše
10. Vodná fľaša
11. Tlačidlo uzamknutia hĺbky
12. Uzavretie kľúča kotúča
13. Súprava batérií (nedodáva sa)
14. Spínač
15. Vnútoraná podložka kotúča
16. Koleso
17. Vonkajšia podložka kotúča
18. Skrutka kotúča
19. Nesprávny spôsob podopierania
20. Správny spôsob podopierania
21. Vodič okolo okraja
22. Rúčka, izolovaný povrch na držanie

MONTÁŽ

PRIPEVŇOVANIE VODNEJ FĽAŠE SO SPÁDOVÝM NAPÁJANÍM

Pozrite si obrázok 2.

Fľaša so spádovým napájaním má zabudovaný ventil, ktorý vyrovnáva tlak a umožňuje vode pretekať voľnejšie.

- Vyberte súpravu batérií.
- Odskrutkujte súpravu trysiek.
- Naplňte fľašu vodou do požadovanej hladiny. Nepreplňte ju.
- Založte znova súpravu trysiek.
- Fľašu s vodou držte tak, aby boli trysky smerom dole.

POZNÁMKA: Voda z fľaše nebude unikať, kým špička trysky nie je stlačená.

- Fľašu s vodou založte podľa obrázku. Fľašu jemne zatlačte, kým nezapadne na svoje miesto.
- Ak chcete fľašu s vodou vybrať, stlačte tlačidlo na uvoľnenie fľaše.

POZNÁMKA: Pri suchom rezaní nechajte fľašu s vodou nainštalovanú, aby sa predišlo prášeniu a usadzovaniu nánosov a upchaniu rozvodného systému vody.

⚠ UPOZORNENIE

Fľaša je určená len na použitie s vodou. Použitie akejkoľvek inej kvapaliny môže spôsobiť poškodenie nástroja.

⚠ VAROVANIE

Kotúč 101,6 mm je maximálnou kapacitou pítky. Tiež nikdy nepoužívajte kotúč, ktorý je príliš hrubý, aby vonkajšia podložka kotúča zapadla na vreteno. Väčšie kotúče prídu do kontaktu s chráničom kotúča, kým hrubšie kotúče zabránia skrutke kotúča, aby zaistila kotúč na vretene. Ktorákoľvek z týchto situácií môže mať za následok vážnu nehodu.

⚠ VAROVANIE

Nepoužívajte rezacie kotúče s hodnotou menšou, ako je rýchlosť tohto nástroja bez záťaže. Pri nerešpektovaní tejto výstrahy by mohlo dôjsť k poraneniu osôb. Nepoužívajte kotúč s prasklinami, medzerami alebo zubami.

⚠ VAROVANIE

Nepoužívajte ozubené alebo segmentované kotúče. Použite len kotúče so spojitým diamantovým okrajom, vhodné na murárske materiály.

INŠTALÁCIA REZACIEHO KOTÚČA

Pozrite si obrázok 3.

- Vyberte súpravu batérií z pítky.
- Vyberte kľúč na kotúč (5 mm šesťhranný kľúč) z úložného priestoru.
- Stlačte tlačidlo uzamknutia vretena a vyberte skrutku kotúča a vonkajšiu podložku kotúča.

POZNÁMKA: Otáčaním skrutky kotúča v smere hodinových ručičiek ju povolíte.

⚠ VAROVANIE

Aby ste predišli poškodeniu vretena alebo uzamknutiu vretena, nechajte motor vždy, aby sa úplne zastavil pred zaistením poistky vretena.

POZNÁMKA: Pítku neprevádzkujte so zaistenou poistkou vretena.

- Na vnútornú podložku kotúča a vonkajšiu podložku kotúča, kde môžu prísť do kontaktu s kotúčom kvapnite trochu oleja.

Slovenčina

VAROVANIE

Ak bola vnútorná podložka kotúča odstránená, pred založením rezacieho kotúča na vreteno ju opäť založte. Ak tak neurobite, môže to spôsobiť nehodu, pretože kotúč nebude správne dotiahnutý.

- Založte vonkajšiu podložku kotúča.
- Stlačte tlačidlo na uzamknutie vretena, potom založte skrutku kotúča. Dobro zatiahnite skrutku kotúča jej otáčaním oproti smeru hodinových ručičiek.
- Kľúč na kotúč vráťte do úložného priestoru.

POZNÁMKA: Tiež nikdy nepoužívajte kotúč, ktorý je príliš hrubý, aby vonkajšia podložka kotúča zapadla na vreteno.

PREVÁDZKA

VAROVANIE

Vždy používajte proti prachovú masku, keď prevádzkujete píly na dlaždice. Ak takto neurobite, môže to mať za následok vážne zranenie osôb.

VAROVANIE

Pri práci s výrobkami vždy noste bezpečnostné okuliare s bočnými chráničmi. V opačnom prípade to môže spôsobiť, že úlomky vám vletia do očí, čo môže zapríčiniť vážne zranenie.

VAROVANIE

Nepoužívajte žiadne nadstavce alebo príslušenstvo, ktoré nie je odporúčané výrobcom tohto produktu. Pri použití príslušenstva, ktoré neodporúča výrobca, môže dôjsť k vážnemu osobnému zraneniu.

FUNKCIE NA OCHRANU BATÉRIÍ

Lítiovo-iónové batérie RYOBI 18 V sú navrhnuté tak, aby sa chránili lítium-iónové články a maximalizovala životnosť batérií. Za určitých prevádzkových podmienok môžu tieto zabudované funkcie spôsobiť, že akumulátor a nástroj, ktorý napája, budú fungovať inak ako nikel-kadmiové akumulátory.

Pri niektorých aplikáciách môže elektronika akumulátora signalizovať akumulátoru, aby sa vypol, čo spôsobí zastavenie nástroja. Ak chcete akumulátor a nástroj vynulovať, uvoľníte spínač a obnovíte normálnu činnosť.

POZNÁMKA: Aby ste predišli ďalšiemu vypnutiu batérie, vyhýbajte sa presilovaniu nástroja.

Ak sa pri uvoľnení spínača akumulátor a nástroj nevynulujú, jednotka akumulátora je vybitá. Ak je jednotka

akumulátora vybitá, po vložení do lítium-iónovej nabíjačky sa začne nabíjať.

INŠTALÁCIA SÚPRAVY BATÉRIÍ

Pozrite si obrázok 4.

- Založte súpravu batérií do píly. Vyrovnajte vyvýšený výstupok na súprave batérií s drážkou vnútri píly, portom zasunite súpravu batérií do píly.
- Ubezpečte sa, či západky na každej strane súpravy batérie zapadnú na svoje miesto a či je súprava batérie zaistená v nástroji pred začatím prevádzky.

VAROVANIE

Vždy odstráňte súpravu batérie z nástroja, keď montujete diely, robíte nastavenia, čistíte nástroj alebo keď ho nepoužívate. Odstránením jednotky akumulátora zabránite náhodnému spusteniu, ktoré by mohlo spôsobiť závažné osobné zranenie.

VYBERANIE SÚPRAVY BATÉRIÍ

Pozrite si obrázok 4.

- Nájdite západky na boku súpravy batérie a stlačte ich, čím sa uvoľní súprava batérií z píly.
- Vyberte súpravu batérií z píly.

REZACIE KOTÚČE

Ani najlepšie rezacie kotúče nebudú rezať účinne, ak sú tupé alebo veľmi opotrebované. Používanie tupého kotúča znamená veľkú záťaž na pílu. Vždy majte náhradné kotúče poruke, aby ste vždy mali ostré kotúče.

SPŮŠŤANIE/ZASTAVOVANIE PÍLY

Pozrite si obrázok 5.

Spustenie píly:

- Stlačte tlačidlo poistky.
- Stlačte spúšťací spínač.

Vždy nechajte kotúč dosiahnuť plnú rýchlosť, potom zaveďte pílu do obrobku.

Zastavenie píly:

- Uvoľníte spúšťací spínač.

Po uvoľnení spúšťacieho spínača nechajte kotúč úplne zastaviť. Nevyberajte pílu z obrobku, kým sa kotúč hýbe.

POISTNÉ TLAČIDLO

Pozrite si obrázok 5.

Tlačidlo poistky znižuje možnosť náhodného spustenia. Tlačidlo poistky sa nachádza na držadle nad spínačom spúšťača. Tlačidlo poistky sa musí stlačiť predtým, ako zatiahnete spínač spúšťača. Poistka sa resetuje zakaždým, keď sa uvoľní spúšťač.

POZNÁMKA: Tlačidlo poistky môžete stlačiť buď zľava alebo sprava.

NASTAVENIE HLĚBKY KOTÚČA

Pozrite si obrázok 6.

Slovenčina

Vždy zachovajte správne nastavenie hĺbky kotúča. Správne nastavenie hĺbky kotúča pre všetky rezy by nemalo prekročiť 6,35 mm pod rezaným materiálom. Väčšia hĺbka kotúča zvýši možnosť spätného rázu a môže spôsobiť, že rez bude hrubý. Pre zvýšenie presnosti nastavenia hĺbky rezu je na zadnej podpere mierka.

- Uvoľnite tlačidlo nastavenia hĺbky.
- Určite požadovanú hĺbku rezu.
- Nájdite mierku hĺbky rezu na zadnej podpere.
- Držte plochu základne oproti obrobku a zvýšte alebo znížte pílkou, kým indikačná značka na podpere nebude v jednej rovine s vrubom na chrániči kotúča.
- Tlačidlo nastavenia hĺbky pevne dotiahnite.

PREVÁDZKOVANIE PÍLKY

Pozrite si obrázok 7 - 8.

Je dôležité pochopiť správny spôsob prevádzkovania pítky. Pozrite si obrázky v tejto sekcii, aby ste sa naučili aké sú správne a nesprávne spôsoby narábania s pílkou.

VAROVANIE

Keď dvíhate pílkou z obrobku, kotúč na spodnej strane pítky je nechránený.

Ako spraviť čo najlepší rez:

- Pílkou držte pevne obidvomi rukami.
- Pri rezaní nedávajte ruku na obrobok.
- Podoprite obrobok, aby bol rez (zárez) vždy na vašej strane.
- Podoprite obrobok v blízkosti rezu.
- Obrobok bezpečne upnite, aby sa počas rezania nehýbal.
- Pílkou dajte vždy na obrobok, ktorý je podopretý, nerezte kusy.
- Obrobok položte "lícom" dole.
- Nakreslite si požadovanú líniu rezu predtým, ako ho budete robiť.

REZANIE

Na rezanú dlaždicu vždy pomocou značkovača alebo masťnej ceruzky nakreslite čiaru, ktorá sa má rezať. Ak je dlaždica leštená a ťažko sa vyznačuje, nalepte na ňu maskovaciu lepiacu pásku a vyznačujte na páske.

Bežným problémom pri pílení dlaždíc je odbiehanie od vyznačenej línie. Keď sa odchýlite od naznačenej línie, nemôžete posunúť kotúč nasilu späť na líniu jeho stočenie. Namiesto toho sa vráťte späť a režete znova, odrežte malý kus dlaždice, kým kotúč nie je späť vo svojej dráhe.

Aby ste sa vyhli problému, používajte rovné vodidlo vždy, keď je to možné, keď robíte priečne rezy a rezy pod náklonom. Ak sa vyžaduje mokré rezanie, malo by sa vykonávať zvonku.

POUŽITIE VODIDLA HRÁN

Pozrite si obrázok 9.

Pri vytváraní dlhých alebo širokých pozdĺžnych rezov s pílou používajte vodidlo hrán.

1. Vyberte súpravu batérie z nástroja.
2. Vložte vodidlo hrán cez drážky v základni píly.
3. Nastavte vodidlo hrán na potrebnú šírku.
4. Krídlovú skrutku pevne utiahnite.

Pri používaní vodidla hrán, umiestnite prednú stranu vodidla hrán tesne k okraju obrobku. Zabezpečí to presný rez bez zaseknutia ostria. Vodiaca hrana obrobku musí rovnať, aby ste mohli urobiť rovný rez. Dávajte pozor, aby ste predišli zaseknutiu ostria v reze.

ÚDRŽBA

VAROVANIE

Pri servise používajte len originálne náhradné diely RYOBI. Použitie iných dielov môže predstavovať riziko alebo spôsobiť poškodenie produktu.

Vyhýbajte sa použitiu rozpúšťadiel pri čistení plastových častí. Väčšina plastov je náchylných na poškodenie rôznymi druhmi komerčných rozpúšťadiel a ich používaním sa môžu poškodiť. Na odstránenie nečistoty, prachu, oleja, mazadla atď. použite čistú handričku.

VAROVANIE

Dbajte na to, aby do kontaktu s plastovými dielmi nikdy neprišli do kontaktu brzdové kvapaliny, benzín, ropné produkty, prenikavé oleje a pod. Chemikálie môžu poškodiť, oslabiť, alebo zničiť plastové časti a tak spôsobiť vážne zranenie.

Nepreťažujte elektrické nástroje. Násilné postupy môžu poškodiť nástroj, ako aj obrobok.

VAROVANIE

Nepokúšajte sa modifikovať produkt, alebo vytvoriť príslušenstvo, ktoré nie je odporúčané pre použitie s týmto produktom. Akékoľvek takéto úpravy sú zneužitím a môžu mať za následok nebezpečný stav, ktorý môže viesť k možnému vážnemu zraneniu osôb.

Slovenčina

OCHRANA ŽIVOTNÉHO PROSTREDIA



Surové materiály recyklujte, nelikvidujte ich ako odpad. Stroj, príslušenstvo a obaly by sa mali triedene recyklovať spôsobom šetrným k životnému prostrediu.

SYMBOLY



Buďte ostražití



Zhoda CE



Euroázijská značka zhody



Ukrajinské označenie zhody



Noste ochranu zraku



Pred zapnutím zariadenia si prosím prečítajte inštrukcie



Používajte chrániče zraku, sluchu a dýchacieho aparátu.



Kameň



Mramor



Keramika



Porcelán



Opatrebované elektrické zariadenia by ste nemali odhadzovať do domového odpadu. Prosíme o recykláciu ak je možné. Kontaktujte miestne úrady, alebo predajcu pre viac informácií ohľadom ekologického spracovania.



България

Безопасността, работните характеристики и надеждността имат най-висок приоритет при проектирането на Вашата машина за сухо/мокро рязане на плочки със захранване от 18 волта.

ПРЕДНАЗНАЧЕНИЕ

Можете да използвате този продукт за следните цели:

- Мокро напречно рязане, надлъжно рязане и рязане за скосяване на синтетични плочки, неглазирани керамични плочки за под и плочки от естествен камък.
- За сухо рязане на горните материали се изисква специален режещ диск (не е доставен).

Това изделие ще приема литиево-йонните акумулаторни блокове RYOBI ONE+ 18 V и никел-кадмиевите акумулаторни блокове RYOBI ONE+ 18 V. За пълните указания за зареждане, се обърнете към ръководствата на оператора за Вашия акумулаторен блок RYOBI ONE+ и моделите зарядни устройства.

⚠ ПРЕДУПРЕЖДЕНИЕ

Прочетете всички предупреждения относно безопасността и всички инструкции. Неспазването на предупрежденията и инструкциите може да доведе до токов удар, пожар и/или сериозни наранявания.

Съхранявайте всички предупреждения и инструкции за бъдещи справки.

ПРЕДУПРЕЖДЕНИЯ ЗА БЕЗОПАСНОСТ ПРИ РАБОТА С МАШИНАТА ЗА РЯЗАНЕ НА ПЛОЧКИ

- Предпазителят трябва да бъде поставен и здраво закрепен за електрическия инструмент за максимална безопасност, така че възможно най-малка част от диска да бъде изложена към оператора. Вие и наблюдателите застанете на безопасно разстояние от равнината на въртящия се диск. Предпазителят помага да се защити оператора от фрагменти на счупен диск и случаен контакт с диска.
- Използвайте диамантени режещи дискове за Вашия електроинструмент. Това, че аксесоарът може да бъде прикачен към електрическия инструмент, не гарантира безопасна работа.
- Номиналната скорост на аксесоара трябва да е поне равна на максималната скорост, означена върху електрическия инструмент. Аксесоари, работещи по-бързо от номиналната си скорост,

могат да се счупят и да се разхвърчат части от тях.

- **Дисковете трябва да се използват само за препоръчителните приложения. Например: Не заточвайте със страничната част на режещ диск.** Абразивните режещи дискове са предназначени за периферно заточване, страничните сили, приложени към тези дискове, могат да доведат до разтрошаването им.
- **Винаги използвайте здрави фланци за дискове, които са с правилния диаметър за избория от вас диск.** Подходящият фланец поддържа диска, като по този начин намалява вероятността за неговото счупване.
- **Външният диаметър и дебелината на аксесоара трябва да попадат в номиналните стойности за капацитета на електрическия инструмент.** Аксесоари с неподходящ размер не могат да бъдат правилно предпазвани и контролирани.
- **Размерът на отворите за вал на дисковете и фланците трябва правилно да съответстват на шпиндела на електроинструмента.** Дисковете и фланците с отвори за вал, които не съответстват на елементите за закрепване на електроинструмента, ще работят неуравновесени, ще избират прекалено и може да причинят загуба на управление.
- **Не използвайте повредени дискове.** Преди всяко използване, проверявайте дисковете за отчупвания и пукнатини. Ако електроинструментът или дискът са изпуснати, проверете за повреда или монтирайте неповреден диск. След проверка и монтиране на диска, разположете себе си и наблюдателите на безопасно разстояние от равнината на въртящия се диск и работете с електроинструмента в продължение на една минута при максимална скорост без натоварване. Обикновено повредените дискове ще се разпадат по време на този изпитателен период.
- **Използвайте лична защитна екипировка.** В зависимост от приложението използвайте маска за лице или предпазни очила. Ако е необходимо носете маска против прах, антифони, ръкавици и работна престилка, която да е в състояние да спре малки абразивни фрагменти или елементи от работния материал. Предпазните очила трябва да са в състояние да спрат хвърчащи детайли, образувани при различните операции. Противопраховата маска или респираторът трябва да са в състояние да филтрират частиците, образувани при съответната операция. Продължителното излагане на действието на шум с висока интензивност може да доведе до загуба на слуха.





България

- **Страничните лица трябва да са на безопасно разстояние от работната зона. Всеки, който навлиза в работната зона, трябва да носи лични предпазни средства.** Фрагменти от обработвания детайл или на счупен диск могат да отлетят и да причинят наранявания извън непосредствената област на работа.
- **Дръжте електрическия инструмент само за изолираните повърхности за хващане, когато извършвате операция, при която режещият аксесоар може да влезе в контакт със скрити проводници или със собствения си кабел.** Режещ аксесоар, който влезе в контакт с проводник, по който тече ток, може да доведе до протичането на ток по неизолираните метални части на електрическия инструмент и да причини токов удар на оператора.
- **Никога не полагайте електрическия инструмент, докато аксесоарът не спре да се движи напълно.** Въртящият се диск може да захване повърхността и да издърпа неуправляемо инструмента.
- **Не стартирайте електрическия инструмент, докато го носите странично от себе си.** Случайното влизане в контакт с въртящия се аксесоар може да доведе до захващане на обектото ви, при което аксесоарът да се доближи до тялото ви.
- **Редовно почиствате вентилационните отвори на електрическия инструмент.** Вентилаторът на мотора ще придърпва праха в корпуса, а прекомерното натрупване на метални прахообразни частици може да причини рискове от електрическа неизправност.
- **Не използвайте електрическия инструмент в близост до запалими материали.** Искрите могат да ги запалят.

ОТКАТ И СВЪРЗАНИ С ТОВА ПРЕДУПРЕЖДЕНИЯ

Обратният удар е внезапната реакция на защитан или закачен въртящ се диск. Защипване или закачане може да причини бързо спиране под товар на въртящия се диск, което на свой ред да причини неуправляемият електроинструмент да бъде тласнат в обратна посока на въртенето на диска в точката на заклиняване.

Ако например абразивен диск бъде стегнат или захванат в работния детайл, ръбът на диска, който влиза в точката на захващане, може да задълбае в повърхността на материала, което да доведе до излизан или откат на диска. Дискът може да отскочи в посока към или встрани от оператора в зависимост от посоката на движение на диска в точката на захващане. Абразивните дискове могат и да се счупят при тези условия.

Откатът е следствие на неправилно използване на електрическия инструмент. Той може да бъде

предотвратен с предприемане на подходящи предпазни мерки, които са описани по-долу:

- **Поддържайте здрав захват на електрическия инструмент и разположете тялото и ръката си така, че да можете да устоите на силите на отката.** Винаги използвайте спомагателната ръкохватка, ако има такава, за максимален контрол върху отката или реакцията на въртящия момент по време на стартиране. Операторът може да контролира реакциите на въртящия момент или силите на отката, ако са взети подходящи предпазни мерки.
- **Никога не поставяйте ръката си в близост до въртящ се аксесоар.** Аксесоарът може да отскочи над ръката ви.
- **Не заставяйте на една линия с въртящия се диск.** Откатът ще завърти инструмента в посока, противоположна на движението на диска в точката на захващане.
- **Бъдете особено внимателни, когато работите близо до ъгли, остри ръбове и т.н. Избягвайте отскачането и захващането на аксесоара.** При ъгли, остри ръбове или отскачане има риск въртящият се аксесоар да се закачи и това да доведе до загуба на контрол или до откат.
- **Не поставяйте режеща верига, острие за резба на дърво, сегментирани диамантени дискове с по-големи от 10 mm периферни прорези или циркулярни дискове.** Такива остриета причиняват често откат и загуба на контрол.
- **Внимавайте режещият диск да не „заседне“ и не прилагайте прекомерен натиск.** Не се опитвайте да правите разрез с прекалена дълбочина. Претоварването на диска увеличава натоварването и податливостта му на усукване или захващане в разреза, както и вероятността от откат или счупване на диска.
- **Когато дискът е заклеен или даден разрез е прекъснат поради някаква причина, изключете електрическия инструмент и го задръжте неподвижен, докато дискът спре напълно.** Никога не опитвайте да извадите режещия диск от разреза, докато се движи, тъй като може да се получи откат. Направете проверка и предприемете коригиращи действия, за да отстраните причината за заклещаване на диска.
- **Не започвайте отново операцията по рязане на детайла.** Нека дискът да достигне пълна скорост и внимателно го вкарвайте отново в разреза. Дискът може да отскочи, да се придвижи нагоре или да се получи откат, ако електрическият инструмент е стартиран повторно в работния детайл.
- **Поддържайте панелите или всеки голям**



България

работен детайл, с цел намаляване до минимум на риска от захващане или стягане на диска. Големите работни детайли могат да се огънат от собствената си тежест. Трябва да се поставят подпори под работния детайл, близо до линията на рязане и до ръба на детайла, от двете страни на диска.

- **Бъдете особено внимателни, когато правите „дъобен разрез“ в съществуващите стени или други слепи зони.** Издаденият диск може да реже газови или водни тръби, електрически кабели или предмети, които могат да доведат до откат.

ДОПЪЛНИТЕЛНИ ПРЕДУПРЕЖДЕНИЯ ЗА БЕЗОПАСНОСТ

- Когато не се използват, дисковете трябва да се съхраняват на сухо място и да се манипулират грижливо.

ДОПЪЛНИТЕЛНИ ПРЕДУПРЕЖДЕНИЯ ЗА БЕЗОПАСНОСТ ЗА БАТЕРИЯТА

▲ ПРЕДУПРЕЖДЕНИЕ

За да избегнете опасността от пожар, предизвикана от късо съединение, както и нараняванията и повредите на продукта, не потапяйте инструмента, сменяемата акумулаторна батерия или зарядното устройство в течности и се погрижете в уредите и акумулаторните батерии да не попадат течности. Течностите, предизвикващи корозия или провеждащи електричество, като солена вода, определени химикали, избелващи вещества или продукти, съдържащи избелващи вещества, могат да предизвикат късо съединение.

ТРАНСПОРТИРАНЕ НА ЛИТИЕВИ БАТЕРИИ

Транспортирайте батериите в съответствие с местните и национални постановления и разпоредби. Спазвайте всички специални изисквания за пакетирание и етикетирание, когато транспортирате батерии чрез трето лице. Уверете се, че батериите не влизат в контакт с други батерии или проводими материали по време на транспортиране, като предпазите откритите конектори с изолация, непроводими капачета или лента. Не транспортирайте батерии, които са спукани или текат. Свържете се със следната компания за допълнителен съвет.

ОПИСАНИЕ

1. Фиксиращ бутон
2. Заклучване на шпиндела

3. Машаб на скосяване
4. Копче за фиксиране на скосяването
5. Копче за фиксиране водача на ръба
6. Режещ диск
7. Основа
8. Копче за настройка на дебита
9. Бутон за освобождаване на бутилката за вода
10. Бутилка за вода
11. Копче за фиксиране на дълбочината
12. Съхранение на ключа за диска
13. Батерия (Не е включено)
14. Спусък
15. Вътрешна шайба на диска
16. Колело
17. Външна шайба на диска
18. Винт на диска
19. Неправилен начин за подпиране
20. Правилен начин за подпиране
21. Водач за ръбове
22. Ръкохватка, изолирана повърхност за захващане

СГЛОБЯВАНЕ

ЗАКРЕПВАНЕ НА БУТИЛКА ЗА ВОДА ЗА ЗАХРАН-ВАНЕ ПО ГРАВИТАЧЕН ПЪТ

Виж Фигура 2.

Бутилката за вода за хранване по гравитачен път има вграден отдушник, който изравнява налягането и позволява на водата да изтича по-свободно.

- Отстранете батерията.
- Развинтете възела на дюзата.
- Напълнете бутилката за вода до желаното ниво. Не препълвайте.
- Заменете възела на дюзата.
- Дръжте бутилката за вода така, че дюзата да е обърната надолу.

ЗАБЕЛЕЖКА: Водата няма да изтича от бутилката, освен ако върхът на дюзата не е натиснат.

- Поставете бутилката за вода както е показано. Леко натиснете надолу бутилката, докато щракне на място.
- За да свалите бутилката за вода, натиснете бутона за освобождаване на бутилката за вода.

ЗАБЕЛЕЖКА: За сухо рязане, оставете монтирана бутилката за вода, за да предотвратите запушване на водозахранващата система с прах и отломки.

▲ ВНИМАНИЕ

Бутилката за вода е проектирана само за вода. Използването на всякакъв друг флуид може да причини повреда на инструмента.

България

▲ ПРЕДУПРЕЖДЕНИЕ

Диск 101,6 mm е максималният размер на диск за циркуляра. Също така никога не използвайте диск, който е прекалено дебел, за да позволи на външната шайба на диска да зацепи с плоската си част на шпиндела. По-големи колела ще влязат в контакт с предпазителя на диска, а по-дебели дискове ще попречат на винта да закрепи диска на шпиндела. Всяка от тези ситуации може да доведе до сериозен инцидент.

▲ ПРЕДУПРЕЖДЕНИЕ

Не използвайте режещи дискове с номинална скорост по-малка от скоростта под натоварване на този инструмент. Несъобразяването с това предупреждение може да доведе до сериозни физически наранявания. Не използвайте диск с пукнатини, пролуки или зъби.

▲ ПРЕДУПРЕЖДЕНИЕ

Не използвайте назъбени или сегментирани дискове. Използвайте само диамантени дискове с непрекъснат венец, подходящи за материали на зидария.

МОНТИРАНЕ НА РЕЖЕЩИЯ ДИСК

Виж Фигура 3.

- Свалете акумулаторния блок от циркуляра.
- Извадете ключа за диска (5 mm челен шестостенен ключ) от мястото на съхранение.
- Натиснете бутона за фиксиране на шпиндела и свалете винта и външната шайба на диска.

ЗАБЕЛЕЖКА: Завъртете винта на на диска по посока на часовниковата стрелка, за да го свалите.

▲ ВНИМАНИЕ

За да предотвратите повреда на шпиндела или на заключването на шпиндела, винаги оставайте мотора да спре напълно, преди да задействате заключването.

ЗАБЕЛЕЖКА: Не стартирайте циркуляра със зацепен фиксатор на шпиндела.

- Избършете капка от масло върху външната и вътрешната шайби на диска, където контактуват с диска.

▲ ПРЕДУПРЕЖДЕНИЕ

Ако вътрешната шайба е била свалена, поставете я отново преди поставянето на режещия диск на шпиндела. Неспазването на това може да причини инцидент, тъй като дискът няма да се затегне правилно.

- Поставете отново вътрешната шайба на диска.
- Натиснете бутона за фиксиране на шпиндела, след което поставете отново винта на диска. Затегнете здраво винта на диска чрез завъртането му по посока, обратна на часовниковата стрелка.
- Върнете гаечния ключ на диска в мястото за съхранение.

ЗАБЕЛЕЖКА: Никога не използвайте режещ диск, който е твърде дебел, за да позволи на външната шайба да зацепи с плоскостите на шпиндела.

РАБОТА

▲ ПРЕДУПРЕЖДЕНИЕ

Винаги носете противопрахова маска, когато работите с циркуляра за рязане на плочки. Несъобразяването с това предупреждение може да доведе до сериозно физическо нараняване.

▲ ПРЕДУПРЕЖДЕНИЕ

Винаги носете предпазни очила или защитни очила със странични щитове, когато работите с продуктите. Ако не го направите, някакви частици могат да ви влязат в очите, което води до възможни сериозни наранявания.

▲ ПРЕДУПРЕЖДЕНИЕ

Не използвайте никакви приставки и принадлежности, които не са препоръчани от производителя на този продукт. Използването на неапреторчани приставки и принадлежности може да доведе до сериозни физически наранявания.

ЗАЩИТНИ СВОЙСТВА НА БАТЕРИЯТА

RYOBI 18 V литиево-йонните батерии са създадени с функции, които защитават литиево-йонните клетки и увеличават живота на батерията. При някои условия за работа, тези вградени функции могат да доведат до това акумулаторът и инструментът, който захранват, да работи по различен начин при никел-кадмиеви акумулатори.

България

По време на някои приложения, електрониката на акумулатора може да сигнализира, че акумулаторът прекратява работа и да причинят спиране на работата на инструмента. За да възстановите в начално състояние акумулатора и инструмента, освободете спусъка и възобновете нормалната работа.

ЗАБЕЛЕЖКА: За да предотвратите допълнителни прекратявания на работата на акумулатора, избягвайте форсиране на инструмента.

Ако освобождаването на спусъка не възстановява акумулатора и инструмента в начално състояние, акумулаторният блок е изтощен. Ако е изтощен, акумулаторният блок ще започне зареждане, когато се постави на зарядно устройство за литиево-йонни акумулатори.

МОНТИРАНЕ НА АКУМУЛАТОРНИЯ БЛОК

Виж Фигура 4.

- Поставете акумулаторния блок в циркуляра. Подравнете издигнатото ребро на акумулаторния блок с жлеба вътре в циркуляра, след което плъзнете акумулаторния блок вътре в циркуляра.
- Уверете се, че ключалките от всяка страна на акумулаторния блок щракват на място и акумулаторният блок е закрепен в циркуляра преди началото на работата.

▲ ПРЕДУПРЕЖДЕНИЕ

Винаги сваляйте акумулаторния блок от инструмента си, когато сглобявате частите, правите настройки, почиствате, или когато не е в употреба. Отстраняването акумулаторната батерия ще предотврати случайно пускане, което може да причини сериозни наранявания.

СВАЛЯНЕ НА АКУМУЛАТОРНИЯ БЛОК

Виж Фигура 4.

- Намерете ключалките на страната на акумулаторния блок и ги натиснете, за да освободите акумулаторния блок от циркуляра.
- Свалете акумулаторния блок от циркуляра.

РЕЖЕЩ ДИСК

И най-добрите режещи дискове няма да режат ефективно, ако са затпени или силно износени. Използването на затпени дискове ще натовари тежко циркуляра. Имайте допълнителни дискове под ръка, за да може винаги да имате на разположение остри дискове.

СТАРТИРАНЕ/СПИРАНЕ НА ЦИРКУЛЯРА

Виж Фигура 5.

За да стартирате изделието:

- Натиснете бутона за блокиране.
- Натиснете спусъка на превключвателя.

Винаги оставайте диска да достигне пълна скорост, след което насочете циркуляра в детайла.

За да спрете изделието:

- Освободете спусъка на превключвателя.

След като освободите спусъка на превключвателя, позволете на диска да спре напълно. Не сваляйте циркуляра от детайла, докато дискът се движи.

ФИКСИРАЩ БУТОН

Виж Фигура 5.

Бутонът за блокиране намалява възможността за инцидентно стартиране. Бутонът за блокиране е разположен върху ръкохватката над спусъка на превключвателя. Бутонът за блокиране трябва да бъде натиснат, преди да дръпнете спусъка на превключвателя. Ключалката се връща в начално състояние всеки момент, когато се освободи спусъка.

Забележка: Можете да натиснете бутона за блокиране или от лявата, или от дясната страна.

НАСТРОЙКА НА ДЪЛБОЧИНАТА НА ДИСКА

Виж Фигура 6.

Винаги поддържайте правилна настройка на дълбочината на диска. Правилната настройка на дълбочината на диска за всички срезове не трябва да надвишава 6,35 mm под материала, който се реже. По-голяма дълбочина на диска ще увеличи вероятността от обратен удар и ще причини срезът да бъде грапов. За по-голяма точност на дълбочината на рязане, на задната конзола е разположена скала.

- Разхлабете копчето за регулиране на дълбочината.
- Определете желаната дълбочина на рязане.
- Намерете скалата за дълбочината на рязане на задната конзола.
- Задръжте плоската основа срещу детайла и повдигнете или свалете циркуляра, докато белегът на индикатора на конзолата се изравни с прореза на предпазителя на диска.
- Затегнете здраво копчето за регулиране на дълбочината.

РАБОТА С ПРОДУКТА

Виж Фигура 7 - 8.

Важно е да се разбере правилният начин за работа с циркуляра. Прегледайте фигурите в този раздел, за да научите правилния и неправилния начин за манипулиране на циркуляра.

България

▲ ПРЕДУПРЕЖДЕНИЕ

При повдигане на циркуляра от детайла, дискът е изложен на долната страна на циркуляра.

За да се направи възможно най-добрият срез:

- Дръжте здраво триона с две ръце.
- Избягвайте да разполагате ръката си върху детайла, докато правите срез.
- Поддържайте детайла така, че срезът (разрезът) да е винаги от Вашата страна.
- Поддържайте детайла близо до среза.
- Прикрепете здраво детайла, така че той да не се движи по време на рязане.
- Винаги поставяйте циркуляра върху детайла, който е подпрян, а не на „срязваната“ част.
- Поставете детайла с „добрата“ страна надолу.
- Начертайте направляваща линия покрай желаната линия на среза преди началото на среза.

ПРАВЕНЕ НА СРЕЗОВЕ

Винаги чертайте линията, която да бъде срязана върху плочката, с помощта на маркер или восъчен молив. Ако плочката е лъскава и твърда за маркиране, поставете самозалепваща лента за маскиране и маркирайте лентата.

Често срещан проблем при рязане на плочка е отклоняване от маркираната линия. Щом се отклоните от маркировката, не трябва да насилвате диска обратно към линията чрез усукване на плочката. Вместо това, върнете обратно нагоре и режете повторно плочката, като отрязвате малко количество от плочката, докато дискът се върне обратно на линията.

За да избегнете този проблем, използвайте водач с правоъгълен ръб, когато е възможно, за да правите напречни и коси срезове. Ако е желателно мокро рязане, то трябва да се извършва на открито.

ИЗПОЛЗВАНЕ НА ВОДАЧА ЗА РЪБОВЕ

Виж Фигура 9.

Използвайте водача за ръбове, когато режете надлъжно или напречно с машината.

1. Свалете батерията от инструмента.
2. Поставете водача за ръбове в слотовете в основата на машината за рязане.
3. Регулирайте водача за ръбове според необходимата ширина.
4. Затегнете здраво винта с крилчатата гайка.

Когато използвате водач за ръбове, допрете лицевата му страна стабилно стабилно към ръба на работния детайл. Това позволява правилен разрез без

притискане на острието. Водещият ръб на детайла трябва да е прав, за да може разрезът Ви да е прав. Бъдете внимателни, за да не позволите острието да се блокира в разреза.

ПОДДРЪЖКА

▲ ПРЕДУПРЕЖДЕНИЕ

При ремонт използвайте само идентични резервни части на RYOBI. Използването на други части може да ви постави в опасност или да повреди продукта.

Избягвайте използването на разтворители при почистването на пластмасовите части. Повечето пластмаси са чувствителни към различни видове разтворители и може да се повредят при използването на такива. Използвайте чисти парцали, за да премахнете кал, прах, масло, грес и т.н.

▲ ПРЕДУПРЕЖДЕНИЕ

В никакъв случай не позволявайте пластмасовите части да влизат в контакт със спирачни течности, нефтени продукти, проникващи масла и т.н. Химикалите могат да повредят, отслабят или унищожат пластмасата, което може да доведе до сериозни физически наранявания.

Не злоупотребявайте с електрическите инструменти. Злоупотребите могат да повредят инструмента, както и работния детайл.

▲ ПРЕДУПРЕЖДЕНИЕ

Не опитвайте да промените този инструмент или да създавате аксесоари, които не са препоръчителни за употреба с него. Всяка подобна поправка или промяна е некоректна употреба и може да създаде опасни условия и да нанесат сериозни физически наранявания.

ОПАЗВАНЕ НА ОКОЛНАТА СРЕДА



Рециклиране на суровини, вместо за обезвреждане като отпадък. Машината, допълнителните приспособления и опаковките трябва да бъдат подложени на подходяща преработка за оползотворяване на съдържащите се в тях вторични суровини.

България

СИМВОЛИ



Предупреждение относно безопасността



CE съответствие



Eurasian знак за съответствие



Украински знак за съответствие



Носете защитни средства за очи



Прочетете инструкциите внимателно, преди да стартирате машината.



Носете очила, антифони и маска за дихателна защита.



Камък



Мрамор



Керамика



Порцелан



Електрическите уреди не трябва да се изхвърлят заедно с битовите отпадъци. Рециклирайте, където има възможност. Обърнете се за съвет по рециклирането към местните власти или разпространителите.



українська мова

В дизайні пили для вологого/сухого кахлю (18 Вольт) вищий пріоритет наданий безпеці, продуктивності і надійності.

ПРИЗНАЧЕННЯ

Ви можете використовувати цей інструмент для цілей, перерахованих нижче:

- Вологе поперечне, подовжного різання і різання під кутом кахлю, тротуарної плитки, та плитки із природного каменю.
- Для сухого різання вищезгаданих матеріалів потрібен спеціальний відрізний диск (не входить до комплекту постачання).

У виробі можуть застосовуватись літій-іонні акумуляторні батареї на 18 Вольт ONE+ марки RYOBI або нікель-кадмієві акумуляторні батареї марки RYOBI.

Повні інструкції щодо заряджання дів. у керівництві користувача для акумуляторної батареї і зарядних пристроїв ONE+ марки RYOBI.

⚠ ПОПЕРЕДЖЕННЯ

Читайте всі правила безпеки та інструкції. Недотримання попереджень та інструкцій може призвести до ураження електричним струмом, пожежі та / або серйозної травми.

Збережіть всі інструкції і вказівки для майбутнього використання.

ПРАВИЛА БЕЗПЕКИ ПРИ РОБОТІ З ПИЛОЮ ДЛЯ ТВЕРДИХ МАТЕРІАЛІВ

- Захист, що надається з інструментом має бути надійно приєднаний до силового інструмента і бути розміщений так, щоб забезпечувати максимальну безпеку, щоб з боку користувача викидалася мінімальна кількість уламків диску. Ви самі і спостерігачі повинні стояти в стороні від площини диску, що обертається. Захист допомагає захистити користувача від відламаних фрагментів диску і випадкового контакту з диском.
- Використовуйте для силового інструмента тільки алмазні відрізи диски. Просто тому, що приладдя може бути підключене до електроінструменту, це не гарантує безпечну експлуатацію.
- Номінальна швидкість диску повинна бути як мінімум рівною максимальній швидкості, зазначеній на силовому інструменті. Диски, які обертаються швидше за їх номінальну швидкість можуть розколотися і їх частини можуть розлетітися.

- Треба використовувати тільки ті диски, які підходять для операції. Наприклад: не виконуйте шліфування боковою стороною відрізного диску. Абразивні відрізаючі диски призначені для периферійного шліфування, бічні сили, прикладені до цих дисків можуть призвести до їх зруйнування.
- Завжди використовуйте для обраного диску непошкоджені фланці диску правильного діаметру. Правильні фланці диску підтримують диск, що знижує можливість розламування диску.
- Зовнішній діаметр і товщина приладдя повинна бути в межах розрахунку продуктивності вашого електроінструменту. Приладдя неправильного розміру, не може бути адекватно контролюване.
- Розмір оправки диску і фланців повинен точно підходити під шпindelь силового інструменту. Диски та фланці з отворами оправок, які не відповідають посадочним місцям силового інструмента, не будуть збалансовані, будуть занадто вібрувати і можуть призвести до втрати контролю над інструментом.
- Не використовуйте пошкоджені диски. Перед кожним використанням перевіряйте диски на наявність тріщин. Якщо електроінструмент або приладдя впало, перевірте на наявність пошкоджень або встановіть неушкоджене приладдя. Після перевірки і установки приладдя, позиціонуйте себе і перехожих подалі від площини обертання приладдя і запустіть електроінструмент на максимальній швидкості без навантаження на одну хвилину. Пошкоджене приладдя, як правило, розпадається протягом цього часу випробування.
- Використовуйте персональне захисне обладнання. Залежно від застосування, використовуйте захисну маску, запобіжні або захисні окуляри." Коли необхідно, надягайте маску від пилу, захист для слуху, рукавички і робочий фартух, здатні зупинити невеликі абразивні частинки або фрагменти заготовки. Захист очей повинен бути здатним зупинити летюче сміття, утворене при різних операціях. Маска від пилу або респіратор повиненні бути здатними фільтрувати частинки, що утворюються від вашої роботи. Тривалий вплив високої шуму може призвести до втрати слуху.
- Тримайте людей на безпечній відстані від робочої зони. Будь-хто, входячи в робочу зону повинен носити приватне захисне обладнання. Фрагменти заготовки або розбитого приладдя можуть полетіти і заподіяти травму за межами безпосередній близькості від роботи.
- Тримайте електроінструмент за ізольовані поверхні при виконанні дій, при яких ріжучий інструмент може торкнутися прихованої проводки або власного шнура. Ріжучі





українська мова

приладдя при контакті з проводом під напругою можуть зробити незахищені металеві частини електроінструменту під напругою і можуть вдарити оператора електричним струмом.

- Ніколи не кладіть електроінструмент, поки приладдя повністю не зупинилось. Обертове приладдя може захопити поверхню і витягнути електроінструмент з вашого контролю.
- Не запускайте електроінструмент коли переносите його на робоче місце. Випадковий контакт з обертовим приладдям може зловити ваш одяг, потягнувши приладдя до вашого тіла.
- Регулярно очищайте вентиляційні прорізи електроінструменту. Вентилятор двигуна буде втягувати пил усередину корпусу і надмірне накопичення металевих порошоків може викликати ураження електричним струмом.
- Не використовуйте електроінструмент поблизу легкозаймистих матеріалів. Іскри можуть запалити ці матеріали.

ВІДДАЧА І СУМІЖНІ ПОПЕРЕДЖЕННЯ

Віддача - це несподівана реакція на защемлення або стопоріння диску, що обертається. Стиснення або зачеплення викликає швидку втрату швидкості обертаемого аксесуару, який в свою чергу викликає переміщення неконтрольованого електроінструменту в напрямку, протилежному обертанню аксесуара.

Наприклад, якщо абразивне коло зачепилося або затиснуто у заготовці, край колеса, що входить в точку зачиплення може вкпатися в поверхню матеріалу в результаті чого колесо буде западати або викидатися." Колесо може рухатися до або від оператора, в залежності від напрямку руху колеса в точці защемлення. За цих умов абразивні диски можуть також розколотися.

Віддача є наслідком неправильного застосування електро інструменту та/або неправильних процедур або умов експлуатації і може бути уникнута застосуванням належних запобіжних заходів, як зазначено нижче.

- Міцно тримайте електроінструмент і розташуйте тіло і руки, щоб дозволити вам протистояти віддачі. Для максимального контролю віддачі або реакції на обертання під час запуску завжди використовуйте додаткову ручку, якщо вона є в наявності. Оператор здатний контролювати відскок, але для цього необхідно вжити відповідних заходів.
- Ніколи не тримайте руки біля диску, що обертається. Може виникнути віддача у руку.
- Не стійте на одній лінії з диском, що обертається. Віддача спонукає інструмент рухатись у напрямку, протилежному напрямку руху диску від точки стопоріння.
- Будьте особливо обережними під час роботи у кутах, біля гострих кромок і т.д. Уникайте відскоків та зачеплень диску. Куточки, гострі

краї або стрибання мають тенденцію зловлювати обертове приладдя і приводити до втрати контролю або віддачі.

- Не встановлюйте пильний ланцюг, диск для різьби по дереву, сегментований алмазний диск з периферійним прорізами більшими 10 мм або зубчатий пиляльний диск. Такі леза створюють часті відкати і втрату контролю.
- Не "затискайте" відрізний диск або не застосовуйте надмірний тиск. Не намагайтеся зробити зріз надмірної глибини. Перевантаження диска збільшує навантаження і сприйнятливість до скручування або зачеплення диска в розрізі, віддачі або поломки диска.
- Коли колесо затискається, зачепляється, або коли зрізання переривається з будь-якої причини, вимкніть електроінструмент і тримайте нерухомо електроінструмент, поки колесо повністю не зупиниться. Ніколи не намагайтеся видалити відрізаючий диск з розрізу, коли диск крититься, це може спричинити віддачу. Щоб усунути причину заклинювання диску, знайдіть її та усуньте.
- Не розпочинайте ріжучу операцію у заготовці. Нехай диски досягнуть повної швидкості і повторно введіть їх у розріз. Диск може зв'язуватися, підскакувати або спричинити віддачу, якщо електроінструмент буде перезапущений у заготовці.
- Підтримуйте панелі або будь-які негабаритні деталі, щоб мінімізувати ризик защемлення диска і віддачі. Великі заготовки можуть прогинатися під власною вагою. Опори повинні бути поміщені під заготовку поблизу лінії розрізу і поруч з кінцями заготовки на обох сторонах диска.
- Будьте особливо обережні при виконанні "кишенькових розрізів" в існуючих стінах або інших відмостках. Виступаючий диск може скоротити газові або водопровідні труби, електропроводку або предмети, які можуть викликати віддачу.

ДОДАТКОВІ ЗАХОДИ БЕЗПЕКИ.

- Коли диски не використовуються, вони повинні зберігатися у сухому місці, і з ними потрібно поводитись обережно.



українська мова

ДОДАТКОВІ ПОПЕРЕДЖЕННЯ З ТЕХНІКИ БЕЗПЕКИ ЩОДО ВИКОРИСТАННЯ АКУМУЛЯТОРІВ**▲ ПОПЕРЕДЖЕННЯ**

Для запобігання небезпеці пожежі в результаті короткого замикання, травмам і пошкодженню виробів не занурюйте інструмент, змінний акумулятор або зарядний пристрій у рідину і не допускайте потрапляння рідини всередину пристроїв або акумуляторів. Корозійні і струмопровідні рідини, такі як солоний розчин, певні хімікати, вибілювальні засоби або продукти, що їх містять, можуть призвести до короткого замикання.

ТРАНСПОРТУВАННЯ ЛІТІЄВИХ БАТАРЕЙ

Транспортуйте батарею відповідно до місцевих та національних положень та правил.

Дотримуйтеся усіх спеціальних вимог щодо пакування та маркування при транспортуванні батареї третьою стороною. Переконайтеся, що батареї не можуть вступати в контакт з іншими батареями або провідними матеріалами при транспортуванні, захищаючи відкриті роз'єми ізоляційними непроводящими кришками або стрічкою. Не перевозити батареї, які мають тріщини або протечки. Консультуйтеся з експедиторською компанією для подальших консультацій.

ОПИС

1. Кнопка блокування
2. Зажим шпінделя
3. Кутомір
4. Ручка фіксації кута
5. Ручка фіксування напрямної краю
6. Відрізний диск
7. Основа
8. Ручка регулювання потоку
9. Кнопка розблокування пляшки
10. Пляшка для води
11. Ручка блокування глибини різання
12. Місце зберігання ключа для диску
13. Сумісний акумулятор (не входить в комплект)
14. Гачок перемикача
15. Внутрішня шайба диску
16. Диск
17. Зовнішня шайба диску
18. Гвинт диску
19. Неправильний спосіб опори
20. Правильний спосіб опори
21. Напрямна краю деталі
22. Ручка, ізольована поверхня для утримання

ЗБИРАННЯ**КРИПЛЕННЯ ПЛЯШКИ ДЛЯ ПОДАВАННЯ ВОДИ САМОПЛИВОМ**

Дивіться малюнок 2.

Пляшка для подавання води самопливом має вбудований вентиляційний отвір, який зрівнює тиск і дозволяє воді текти більш вільно.

- Видаліть акумулятор.
- Відгвинтіть вузол зливного отвору.
- Налийте воду у пляшку до потрібного рівня. Не переповняйте.
- Установіть вузол зливного отвору на місце.
- Тримайте пляшку для води так, щоб її випускний отвір був направлений вниз.

ПРИМІТКА: Доки кінчик отвору натиснутий, вода із пляшки не поступає.

- Вставте пляшку з водою, як показано на малюнку. Обережно натисніть на пляшку, щоб вона зафіксувалася на місці.
- Щоб зніти пляшку для води, натисніть кнопку для фіксації пляшки.

ПРИМІТКА: Під час сухого різання залиште пляшку для води встановленою, щоб запобігти попаданню пилу та обрізків у систему подачі води.

▲ УВАГА

Пляшка призначена тільки для води. Використання іншої рідини може призвести до пошкодження інструмента.

▲ ПОПЕРЕДЖЕННЯ

Діаметр 101,6 мм - це максимальний діаметр диску для пили. Також, ніколи не використовуйте дуже товстий диск, щоб дозволити шайбі диску з'єднатися з фаскою шпінделя. Завеликі диски контактують з захистом диску, а більш товсті не дають гвинту диску зафіксувати його на шпінделі. Будь-яка із таких ситуацій може привести до серйозного нещасного випадку.

▲ ПОПЕРЕДЖЕННЯ

Не використовуйте відрізні диски з характеристиками нижчими, ніж швидкість інструмента без навантаження. Недотримання цього попередження може призвести до серйозних травм. Не використовуйте диски з тріщинами, щілинами або щербинами.



українська мова

⚠ ПОПЕРЕДЖЕННЯ

Не використовуйте зубчаті або сегментовані диски. Використовуйте тільки алмазні диски з безперервним обідком, призначені для цегельної кладки.

ВСТАНОВЛЕННЯ ВІДРІЗНОГО ДИСКУ

Дивіться малюнок 3.

- Вийміть акумуляторну батарею з пристрою.
- Візьміть ключ для диску (5 мм шестигранний ключ) із місця зберігання.
- Натисніть кнопку блокування шпинделя і видаліть гвинт диску і зовнішню шайбу диску.

ПРИМІТКА: Щоб зняти диск, крутіть гвинт диску за годинниковою стрілкою.

⚠ УВАГА

Щоб запобігти пошкодженню шпинделя або замку шпинделя, завжди дозволяйте двигуну повністю зупинитися, перш ніж включити блокування шпинделя.

ПРИМІТКА: Не запускайте виріб з активованим фіксатором шпинделя.

- Під час встановлення диску на несіть краплю мастила на внутрішню і зовнішню шайбу диску.

⚠ ПОПЕРЕДЖЕННЯ

Якщо внутрішня гайка диску видалена, поставте її на місце перед тим, як встановлювати диск на шпиндель. Невиконання цього може призвести до нещасного випадку, так як диск затягнутий неналежним чином.

- Установіть на місце зовнішню шайбу диску.
- Натисніть кнопку блокування шпинделя, потім вставте на місце гвинт диску. Надійно затягніть гвинт диску за годинниковою стрілкою.
- Покладіть ключ для диску у місце зберігання.

ПРИМІТКА: Ніколи не використовуйте дуже товстий відрізний диск, щоб дозволити зовнішній шайбі диску з'єднатися з фаскою шпинделя.

ЕКСПЛУАТАЦІЯ

⚠ ПОПЕРЕДЖЕННЯ

Під час роботи з виробом завжди надягайте пілозахисну маску. Невиконання цієї вимоги може призвести до серйозних травм.

⚠ ПОПЕРЕДЖЕННЯ

Під час роботи з приладом завжди надягайте захисні окуляри або захисні окуляри з боковими щитками. Недотримання цієї вимоги може привести до попадання об'єктів в очі, що може спричинити можливі серйозні травми.

⚠ ПОПЕРЕДЖЕННЯ

Не використовуйте насадки або приладдя не рекомендовані виробником даного продукту. Використання не рекомендованих насадок або приладдя, може призвести до серйозних травм.

ФУНКЦІЯ ЗАХИСТУ АКУМУЛЯТОРНИХ БАТАРЕЙ

18 В літій-іонні акумулятори марки RYOBI спроектовані з функціями, які захищають літій-іонні елементи і максимально збільшують строк служби акумулятора. За деяких умов ці вбудовані функції можуть призвести до того, що акумулятор працює не так, як має працювати нікель-кадмієвий акумулятор, і інструмент теж працює неправильно.

Під час деяких робіт електроніка акумулятора може подати сигнал на вимкнення акумулятора і викликати припинення роботи інструмента. Щоб скинути налаштування акумулятора та інструмента, відпустіть пусковий гачок та відновіть звичайну роботу.

ПРИМІТКА: Щоб уникнути наступного вимкнення акумулятора, уникайте сильного навантаження на інструмент.

Якщо при відпусканні пускового гачка акумулятор та інструмент не повертаються у вихідне положення, акумуляторна батарея розряджена. Якщо акумуляторна батарея розряджена, вона починає заряджатися відразу після встановлення на зарядний пристрій.

ВСТАНОВЛЕННЯ АКУМУЛЯТОРНОЇ БАТАРЕЇ

Дивіться малюнок 4.

- Вставте у виріб акумуляторну батарею. Вирівняйте виступаюче ребро акумуляторної батареї і канавку у пілі, потім здвиньте акумуляторну батарею у пилу.
- Перед початком роботи переконайтеся, що запори по обох сторонах акумуляторної батареї зашпелнуті на місці, а сама батарея зафіксована у виробі.

⚠ ПОПЕРЕДЖЕННЯ

Перед встановленням деталей, виконанням регулювань, чищення, або коли виріб не використовується, завжди знімайте з нього акумуляторну батарею. Видалення акумуляторної батареї запобігає ненавмисному запуску, який може призвести до серйозної травми.





українська мова

ВИДАЛЕННЯ АКУМУЛЯТОРНОЇ БАТАРЕЇ

Дивіться малюнок 4.

- Знайдіть запори по боках акумуляторної батареї і натисніть їх, щоб зняти акумуляторну батарею з виробу.
- Вийміть акумуляторну батарею з пристрою.

ВІДРІЗНИЙ ДИСК

Навіть найкращі відрізни диски не будуть різати ефективно, якщо вони тупі або сильно зношені. Використання тупого диску збільшує навантаження на пилу. Тримайте напоготові додаткові диски, щоб у вас завжди були в наявності гострі диски.

ЗАПУСК/ЗУПИНКА ВИРОБУ

Дивіться малюнок 5.

Щоб запустити виріб:

- Натисніть кнопку розблокування.
- Натисніть пускову кнопку.

Завжди давайте диску досягнути повної швидкості, а потім спрямовуйте пилу на заготовку.

Щоб зупинити виріб:

- Відпустіть пусковий гачок.

Після відпускання пускової кнопки дайте диску повністю зупинитися. Не знімайте пилу з заготовки, доки диск не зупиниться.

КНОПКА БЛОКУВАННЯ

Дивіться малюнок 5.

Кнопка розблокування знижує можливість ненавмисного запуску. Кнопка розблокування розміщена на ручці над пусковою кнопкою. Перед тим, як натиснути пускову кнопку, потрібно натиснути кнопку розблокування. Фіксатор спрацьовує після кожного натискання пускової кнопки.

Примітка: Кнопку розблокування можна натиснути зліва або справа.

РЕГУЛЮВАННЯ ГЛИБИНИ РІЗАННЯ ДИСКУ

Дивіться малюнок 6.

Завжди підтримуйте правильне налаштування глибини різання диску. Правильне налаштування глибини різання диску для всіх розрізів не повинно перевищувати 6,35 мм нижче матеріалу, який розрізається. Більша глибина різання підвищує можливість віддачі і призводить до того, що розріз буде нерівний. Для більшої точності глибини різання на задньому кронштейні є шкала.

- Відпустіть ручку регулювання глибини.
- Визначте потрібну глибину різання.
- Встановіть глибину різання на шкалі на задньому кронштейні.
- Утримуйте основу на заготовці та піднімайте або опускайте пилу, доки індикаторна мітка на кронштейні не вирівняється по мітці на захисті диску.

- Надійно затягніть ручку регулювання глибини.

РОБОТА З ВИРОБОМ

Дивіться малюнки 7 - 8.

Важливо зрозуміти правильний спосіб експлуатації виробу. Зверніться до малюнків у цьому розділі, щоб вивчити правильні і неправильні способи поводження з виробом.

⚠ ПОПЕРЕДЖЕННЯ

Під час піднімання пили з заготовки, диск з нижньої частини пили не захищений.

Щоб зробити найкращий розріз:

- Тримайте прилад міцно обома руками.
- Під час різання не тримайте руку на заготовці.
- Підтримуйте заготовку так, щоб розріз завжди був з вашої сторони.
- Підтримуйте заготовку біля розрізу.
- Надійно затисніть заготовку, щоб вона не змістилася під час різання.
- Завжди встановлюйте виріб на заготовку, яка має підтримку, а не на "відрізну" частину.
- Розмістіть заготовку лицьовою стороною вниз.
- Перед початком різання намалюйте напрямну лінію уздовж потрібної лінії різання.

ВИКОНАННЯ РОЗРІЗІВ

Завжди кресліть лінію для розрізу на плитці маркером або восковим олівцем. Якщо плитка блищить і важко поставити мітку, помістіть клейку стрічку на плитку і поставте мітку на стрічку.

Загальною проблемою при різанні плитки є відхилення від зазначеної лінії. Якщо ви відхилились від помітки, не слід повертати лезо на лінію, повертаючи плитку. Замість зворотного ходу і перекручування плитки слід відрізати невелику кількість плитки, поки лезо не повернеться у потрібному напрямку.

Щоб уникнути проблем, коли це можливо, використовуйте для виконання поперечного або косоного розрізу напрямну з прямою кромкою. Якщо потрібно виконати вологе різання, його треба виконувати на відкритому повітрі.

ВИКОРИСТАННЯ НАПРЯМНОЇ КРАЮ ДЕТАЛІ

Дивіться малюнок 9.

Використовуйте напрямну краю деталі, коли робите довгі або широкі розрізи за допомогою пилки.

1. Вийміть акумуляторну батарею з пристрою.
2. Розмістіть напрямну краю деталі у отворах в основі пилки.
3. Відрегулюйте потрібну ширину напрямної краю деталі.
4. Надійно затягніть гвинт-баранець.

При використанні напрямної краю деталі, розмістіть



українська мова

передню частину напрямної впритул до краю заготівки. Так розріз проводитиметься належним чином та не чіплятиме лезо. Напрямна кромка заготівки має бути прямою, щоб прорізи були прямими. Будьте обережні, щоб попередити застрягання леза у прорізі.

ОБСЛУГОВУВАННЯ

⚠ ПОПЕРЕДЖЕННЯ

При обслуговуванні використовуйте тільки ідентичні запасні частини. Використання будь-яких інших деталей може створити небезпеку або спричинити пошкодження продукту.

Не використовуйте розчинники для очищення пластмасових деталей. Багато пластиків сприйнятливі до ушкоджень від різних типів технічних розчинників та можуть бути пошкоджені при їх використанні. Використовуйте чисті ганчірки для видалення бруду, пилу, масла, мастила і т.д.

⚠ ПОПЕРЕДЖЕННЯ

Ніколи не дозволяйте гальмівній рідині, бензину, продуктам на основі нафти, і проникаючим маслам вступати в контакт з пластиковими деталями. Хімічні речовини можуть пошкодити, послабити або знищити пластик, який може привести до серйозної травми.

Не зловживайте електроінструментом. Жорсткі дії можуть призвести до пошкодження інструменту, а також заготівки.

⚠ ПОПЕРЕДЖЕННЯ

Не намагайтеся змінити цей інструмент або зробити приладдя, не рекомендовані для використання з цим інструментом. Будь-яка така зміна або модифікація - це неправильне використання і може призвести до небезпечної ситуації, що призводить до можливих серйозних травм.

ЗАХИСТ НАВКОЛИШНЬОГО СЕРЕДОВИЩА.



Переробляйте сировину замість утилізації в якості відходів. Машини, обладнання та упаковка повинні бути відсортовані для дружньої для навколишнього середовища утилізації.

СИМВОЛИ



Попередження безпеки



CE відповідність



Євразійський знак відповідності



Український знак відповідності



Носіть захист для очей



Будь ласка, уважно прочитайте інструкцію перед запуском продукту.



Носіть засоби захисту очей, слуху та органів дихання.



Камінь



Мармур



Кераміка



Порцеляна



Відходи електротехнічної продукції не слід викидати разом із побутовими відходами. Будь ласка, переробляйте там, де наявне устаткування. Перевірте з вашим місцевим органом влади або продавцем для консультацій з приводу переробки.

Türkçe

18 voltluk sulu / kuru fayans testerenizin tasarımında güvenlik, performans ve güvenilirliğe en yüksek öncelik verilmiştir.

KULLANIM AMACI

Bu ürünü aşağıda listelenen amaçlar için kullanabilirsiniz:

- Fayans, yol taşı ve doğal karo taşı ıslak enine kesimi, kademeli kesimi ve açılı kesimi.
- Yukarıdaki malzemelerin kuru kesimi için özel bir kesici disk gereklidir (ürünle birlikte verilmez).

Bu ürün RYOBI ONE+ 18 V lityum-iyon batarya kutuları ve RYOBI ONE+ 18V nikel-kadmiyum batarya kutularıyla çalışır.

Ayrıntılı şarj talimatları için RYOBI ONE+ batarya kutusu ve şarj cihazı modellerinin Kullanıcı Kulavuzlarına bakın.

⚠ UYARI

Tüm güvenlik uyarılarını ve talimatlarını okuyun. Uyarıların ve talimatların yerine getirilmemesi elektrik çarpması, yangın ve/veya ciddi yaralanmalara yol açabilir.

Tüm uyarıları ve talimatları daha sonra başvurmak üzere saklayın.

KARO KESME MAKİNESİ GÜVENLİK UYARILARI

- Bu aletle birlikte verilen koruyucu, elektrikli alete sağlam bir şekilde takılarak ve maksimum güvenlik sağlayacak şekilde konumlandırılarak kullanıcının çarktan fırlayan parçalara olabildiğince az maruz kalması sağlanmalıdır. Kendinizi ve çevrenizdekileri döner çark seviyesinden uzak tutun. Koruma, operatörü kırılan dişli parçalarından ve dişliyle kazayla temas etmekten korumaya yardımcı olur.
- Elektrikli aletinizde sadece elmadan kesme çarkları kullanın. Bir aksesuar bir alet üzerine takılabilebile, bu, cihazı güvenlik içerisinde kullanabileceğiniz anlamına gelmemektedir.
- Aksesuarın nominal hızının, alet üzerinde belirtilen azami hıza eşit veya üzerinde olması gerekmektedir. Nominal hızlarından daha yüksek bir hızda çalışan aksesuarlar kırılabilir veya fırlayabilir.
- Dişliler sadece tavsiye edilen uygulamalar için kullanılmalıdır. Örneğin, kesme dişlilerinin yanlarıyla taşlama yapmayın. Taşlama taşlı kesici çarklar sadece çevresel taşlama işlemi için üretilmiştir, çarklara yanlardan uygulanacak basınç çarkın dağılmasına sebep olabilir.
- Her zaman hasar görmemiş ve seçtiğiniz çark için doğru çapta olan çark flanşları kullanın. Uygun dişli

flanşları dişliyi destekleyerek dişli kırılması olasılığını azaltırlar.

- Aksesuarın dış çapı ve kalınlığının, cihaz için belirtilen özelliklere tekabül etmesi gerekmektedir. Eğer aksesuarlar verilen özelliklere uymuyor ise, aletin koruma ve ayarlama sistemleri doğru olarak çalışmazlar.
- Çarkların ve flanşların dingil büyüklüğü elektrikli aletin miline tam olarak uymalıdır. Elektrikli aletin montaj donanımına uygun olmayan dingil delikli çarklar ve flanşlar dengesizleşerek aşırı titreşime ve kontrol kaybına yol açacaktır.
- Hasarlı çarkları kullanmayın. Her kullanımdan önce çarklarda çentik veya çatlak olup olmadığını kontrol edin. Elektrikli alet veya çark düştüyse hasar oluşup oluşmadığını kontrol edin veya sağlam bir çark takın. Çarkı inceledikten ve taktıktan sonra kendinizi ve çevredekileri döner çarktan uzakta tutun ve elektrikli aleti bir dakika boyunca maksimum yüksüz hızda çalıştırın. Hasar gören çarklar bu işlem sırasında parçalanırlar.
- Kişisel koruyucu donanımlar kullanın. Aletinizi kullandığınız şekilde göre, bir koruma maskesi, güvenlik gözlükleri veya koruma gözlükleri takın. Gerekirse, toz önleyici bir maske, sese karşı koruyucular, eldivenler ve her türlü yabancı madde (aşındırıcı unsurlar, ağaç talaşı, vs.) sıçramasına karşı kendinizi korumak için bir koruma tablası kullanın. Koruma gözlükleri, sıçrayan parçaların gözlerinizi yaralamamasını sağlar. Toz önleyici maskeler, yaptığınız işlemin ürettiği partiküllerin filtrenmesini sağlar. Uzun süre çok yoğun bir gürültüye maruz kalınması, duyum kaybına sebep olabilir.
- Ziyaretçileri çalışma alanına uzak bir mesafede tutun ve bir koruma ekipmanı takmalarına dikkat edin. Herkes Çalışma alanınıza giren kişisel koruyucu donanımlar giymek gerekir. İşlenen maddenin veya kırık bir çarkın parçaları fırlayabilir ve aletin etrafında yaralanmalara neden olabilir.
- Elektrik kablolarını gizleyen bir yüzey üzerinde çalıştığınızda veya yapılan çalışmanın elektrik kablosunu aletin yürüncesine getirmeye elverişli olduğunda cihazı sadece yalıtımlı ve kaymaz kısımlarından tutun. Kesici aksesuarın elektrik geçen kabloyla temas etmesi, elektrikli aletin metal parçalarının elektrikle yıklanmasına ve kullanıcının elektrikle çarpılmasına neden olabilir.
- Aksesuar tamamen durmadan aleti asla bırakmayın. Döner çark yüzeye tutunarak elektrikli aletin kontrolünü yitirmenize neden olabilir.
- Taşırken aletinizi çalıştırmayın. Döner aksesuar kıyafetleriniz kapabilir ve sizi ciddi bir şekilde yaralayabilir.



Türkçe

- **Aletin havalandırma boşluklarını düzenli olarak temizleyin.** Motorun havalandırılması, motor karteri içerisine toz girmesine sebep olur ve bu da metalik partiküllerin aşırı şekilde toplanmasına elektrik çarpmalarına sebep olabilir.
- **Aletinizi yanıcı unsurların yanında kullanmayın.** Kivılcımlar bunların tutuşmasına sebep olabilir.

GERİ TEPME VE İLGİLİ UYARILAR

Geri tepme, sıkıştırılmış veya takılmış bir dönen çarkın ani bir hareketidir. Sıkıştırma veya takılma dönen çarkın hızlı bir biçimde teklemesine ve kontrolsüz kalan elektrikli aletin çarkın dönüş yönünün tersine doğru hareket etmeye zorlanmasına neden olur.

Örneğin, aşındırıcı bir disk iş parçasına takılır veya iş parçasına sıkışırsa, sıkışan diskin kenarı iş parçasına girebilir ve bu durum diskin çıkmasına veya aniden fırlamasına yol açabilir. Tekerlek ya doğru ya da uzağa operatörünüzden, tekerlek hareketi yönüne pinching noktasında bağlı atlama olabilir. Sıçrama olması durumunda, aşındırıcı disk ayrıca kırılabilir de.

Dolayısıyla sıçrama, aletin yanlış olarak kullanılmasının ve/veya hatalı kullanım yöntemi ve koşullarının sonucunda oluşur. Birkaç tedbire uyarak bu önenebilir:

- **Aleti sıkıca tutun ve vücudunuzu ve kolunuzu, olası bir sıçramayı kontrol edebilecek şekilde yerleştirin.** Eğer aletin yardımcı bir kolu varsa, sıçrama veya aletin çalıştırıldığı anda reaksiyon momenti olması durumunda aleti daha iyi kontrol edebilmek için her zaman bu yardımcı kolu tutun. Sıçrama veya reaksiyon momenti olması durumunda aletinizi kontrol edebilmek için gerekli tedbirleri alın.
- **Sıçrama anında meydana gelebilecek her türlü bedensel yaralanmayı önlemek için - Elinizi asla dönen aksesuarın yakınına koymayın** Elinizi yere Aksesuar olabilir komisyon.
- **Gövdenizin duruşu dönen çarkla aynı doğrultuda olmasın.** Sıçrama olması durumunda, alet, diskin dönme yönünün aksi istikametine fırlatılır.
- **Özellikle köşelerde, keskin kenarlarda, vs çalışırken dikkatli olun.**
- **Aksesuarı kaydırmamaya veya sıkıştırmamaya özen gösterin.** Aksesuarı kaydırmamaya veya sıkıştırmamaya özen gösterin. Köşelerde veya keskin kenarlarda çalışırken veya aleti kaydırırken, aksesuarın bloke olma riski ve dolayısıyla aletin kontrolünü kaybetme ve bir sıçramaya sebep olma riski daha fazladır.
- **Bir testere zinciri, odun oyma bıçağı, çevresel boşluğu 10 mm'den fazla olan parçalı bir elmas veya dişi bir testere bıçağı takmayın.** Bu tür bıçaklar sıçrama ve aletin kontrolünü kaybetme riskini artırmaktadır.
- **Çarkı "sıkıştırmayın" veya çarka aşırı baskı uygulamayın.** Fazla derin kesmeye çalışmayın.

Çarka aşırı baskı uygulamak, kesme sırasında çarkın yükü ile bükülme ya da sıkışmaya karşı hassasiyetini ve geri tepme ya da çarkın kırılma olasılığını artırır.

- **Çark sıkıştığında ya da herhangi bir nedenle kesik yerlerden birine müdahale durumunda aleti kapatın ve çark tamamen durana kadar aleti tutun. Çarklı hareket halindeyken asla kesik yerden çıkarmaya çalışmayın, yoksa geri tepmeye neden olabilir.** Eğer disk sıkışırsa, sebebini araştırın ve bunun yeniden olmaması için gerekli tedbirleri alın.
- **İş parçası üzerinde keme işlemini yeniden başlatmayın. Çarkın tam hizaya ulaşmasını bekleyin ve ardından kesik yere dikkatli bir şekilde tekrar girin.** Elektrikli alet iş parçası üzerinde yeniden başlatıldığında çark sıkışabilir, yanaşabilir ya da geri tepebilir.
- **Çark sıkışması ya da geri tepme riskini en aza indirmek için panelleri ya da büyük boylardaki iş parçalarını destekleyin.** Büyük iş parçaları kendi ağırlıkları altında eğilip bükülebilmektedirler. Destekler iş parçasının altına çarkın her iki tarafına kesme hattının yanı sıra iş parçasının kenarına yerleştirilmelidir.
- **Duvar ya da dış duvarda "keserek delme" işlemi gerçekleştirecekseniz çok dikkatli olun.** Çıkıntılı çark gaz ya da su borularını, elektrik kablolarını ya da nesnelere kesebilir ve bu geri tepmelere neden olabilir.

İLAVE GÜVENLİK UYARILARI

- Kullanılmadığında bıçaklar kuru bir yerde saklanmalı ve dikkatli taşınmalıdır.

PİL İÇİN EK GÜVENLİK UYARILARI

▲ UYARI

Bir kısa devreden kaynaklanan yangın, yaralanma veya ürün hasarları tehlikesini önlemek için aleti, güç paketini veya şarj cihazını asla sıvıların içine daldırmayınız ve cihazların ve pillerin içine sıvı girmesine önleyiniz. Tuzlu su, belirli kimyasallar, aşartıcı madde veya aşartıcı madde içeren ürünler gibi korozif veya iletken sıvılar kısa devreye neden olabilir.

LİTYUM PİLLERİN NAKLİYESİ

Pili yerel ve ulusal hükümlere ve yönetmeliklere göre nakledin.

Piller üçüncü bir şahıs tarafından nakledilirken ambalaj ve etiket üzerindeki tüm özel gereksinimlere uyun. Açıkta ki konektörleri iletken olmayan yalıtım başlıkları veya bant ile koruyarak pillerin nakliye sırasında diğer pillerle veya iletken materyallerle temas etmediğinden emin olun. Çatlak veya sızıntı yapan pilleri nakletmeyin. Daha fazla



Türkçe

bilgi için nakliye şirketine danışın.

AÇIKLAMA

1. Çalıştırma düğmesinin kilit açma düğmesi
2. Mil kilitleme düğmesi
3. Eğim cetveli
4. Açı kilitleme düğmesi
5. Kınar kılavuz kilitleme düğmesi
6. Kesme diski
7. Taban
8. Akış ayarlama düğmesi
9. Su şişesini serbest bırakma düğmesi
10. Su şişesi
11. Derinlik kilitleme düğmesi
12. Kesme diski anahtarı saklama yeri
13. Batarya kutusu (dahil değildir)
14. Tetik anahtarı
15. İç kesme diski pulu
16. Tekerlek
17. Dış kesme diski pulu
18. Kesme diski vidası
19. Hatalı destek yöntemi
20. Doğru destek yöntemi
21. Paralel kesim kılavuzu (opsiyon)
22. Tutamak, yalıtılmış kavrama yüzeyi

MONTAJ

DOĞAL AKIŞLI BESLEME SU ŞİŞESİNİN TAKILMASI

Şekle bakınız 2.

Doğal akışlı besleme su şişesi basıncı dengeleyen ve suyun daha serbest akmasına olanak veren yerleşik bir hava deliğine sahiptir.

- Bataryayı çıkarın.
- Ağızlık grubunu sökün.
- Su şişesini istediğiniz seviyede doldurun. Aşırı seviyede doldurmayın.
- Ağızlık grubunu yerine takın.
- Ağızlığı aşağıya bakacak şekilde su şişesini tutun.
NOT: Ağızlığın ucuna basılmadıkça su şişeden akmayacaktır.
- Su şişesini gösterildiği gibi takın. Yerine oturana kadar hafifçe şişeyi aşağıya doğru bastırın.
- Su şişesini çıkarmak için su şişesini bırakma düğmesine basın.

NOT: Kuru kesim için tozun ve kalıntıların su sağlama sisteminin tıkanmasını önlemek için su şişesini takılı bırakın.

⚠ DİKKAT

Su şişesi sadece su için tasarlanmıştır. Diğer sıvıların kullanılması aletin hasar görmesine neden olabilir.

⚠ UYARI

101,6 mm kesici disk testerenin en fazla disk kapasitesidir. Aynı zamanda, dış kesme diski pulunun mil üzerindeki düz kısımla birbirine oturmasını sağlamak için asla çok kalın kesici disk kullanmayın. Kalın kesici diskler disk vidasının diski mil üzerinde sıkmasını önlerken büyük kesici diskler disk muhafazasına temas eder. Bu her iki durum da ciddi kazalara neden olabilir.

⚠ UYARI

Bu aletin yüksüz hızından daha az olarak sınıflandırılmış kesici diskleri kullanmayın. Bu uyarıyı önemsemek kişisel yaralanmalara neden olabilir. Çatlak, yarık veya dişli kesici diskleri kullanmayın.

⚠ UYARI

Dişli veya parçalanmış kesici diskleri kullanmayın. Sadece duvar malzemeleriyle uyumlu kesintisiz çerçevesiz elmas kesici diskler kullanın.

KESİCİ DİSKİN TAKILMASI

Şekle bakınız 3.

- Batarya kutusunu testereden çıkarın.
- Saklama bölgesinden kesici disk anahtarını (5 mm alyen) çıkarın.
- Mil kilidi düğmesine basın ve disk vidasıyla dış kesici disk pulunu çıkarın.

NOT: Disk vidasını çıkarmak için saat yönünde döndürün.

⚠ DİKKAT

Milin veya mil kilidinin hasar görmesini önlemek için her zaman mil kilidini kilitlemeden önce testere motorunun tamamen durmasına izin verin.

NOT: Mil kilidi kilitliken testereyi çalıştırmayın.

- Kesici diskle temas ettikleri yerlerde iç kesici disk pulu ve dış kesici disk pulu üzerine damlayan yağları silin.

⚠ UYARI

İç kesici disk pulu çıkarılmışsa kesici diski yerleştirmeden önce yerine takın. Bunu yapmamak kesici disk tam olarak sıkılmadığı için bir kazaya neden olabilir.

- Dış kesici disk pulunu yerine takın.
- Mil kilidi düğmesine basın ardından kesici disk vidasını yerine takın. Saat yönünün tersinde döndürerek kesici disk vidasını iyice sıkın.



Türkçe

- Kesici disk anahtarını saklama bölgesine koyun.

NOT: Dış kesme diski pulunun mil üzerindeki düz kısımlarla birbirine oturmasını sağlamak için asla çok kalın kesici disk kullanmayın.

ÇALIŞTIRMA

⚠ UYARI

Fayans testeresini kullanırken her zaman toz maskesi takın. Buna uyulmaması ciddi yaralanmalara neden olabilir.

⚠ UYARI

Ürünü kullanırken yanları kapalı koruyucu gözlükler takın. Bu uyarının dikkate alınmaması gözlerinizin içine yabancı cisimlerin kaçmasına ve ciddi göz yaralanmalarına yol açabilir.

⚠ UYARI

Bu ürünün üreticisi tarafından tavsiye edilmeyen herhangi bir parça ya da aksesuar kullanmayın. Tavsiye edilmeyen parça ya da aksesuarların kullanılması ciddi kişisel yaralanmalara neden olabilir.

BATARYA KORUMA ÖZELLİKLERİ

RYOBI 18 V lityum iyon bataryaları lityum iyon hücrelerini koruyan ve batarya ömrünü artıran özelliklerle tasarlanmıştır. Bazı çalışma koşullarında, bu yerleşik özellikler bataryanın ve aletin nikel-kadmiyum bataryalardan farklı olarak hareket etmesinde neden olabilir.

Bazı uygulamalar esnasında batarya elektroniği bataryaya kapanma sinyali gönderebilir ve bu durum aletin çalışmasını durdurur. Bataryayı ve aleti sıfırlamak için tetik anahtarı bırakın ve işleme kaldığınız yerden devam edin.

NOT: Bataryanın daha fazla kapanmasını önlemek için aleti zorlamaktan kaçının.

Tetik anahtarı bırakmak bataryayı ve aleti sıfırlamıyorsa batarya kutusu bitmiştir. Batarya boşalmışsa, lityum-iyon şarj cihazına takıldığında şarj olmaya başlayacaktır.

BATARYA KUTUSUNUN TAKILMASI

Şekle bakınız 4.

- Batarya kutusunu testereye takın. Batarya kutusu üzerindeki kabarık dişleri testere içindeki oluklarla hizalayın ardından batarya kutusunu testerenin içine kaydırın.
- İşleme başlamadan önce batarya kutusunun her iki tarafında bulunan mandalların yerine oturduğundan ve batarya kutusunun testereye sağlam şekilde takılı olduğundan emin olun.

⚠ UYARI

Parçalarını ayırırken, ayarlama yaparken, temizlik esnasında ya da alet kullanılmazken batarya kutusunu daima aletten çıkarın. Batarya kutusunu çıkarmak, ciddi kişisel yaralanmalara neden olabilecek aletin yanlışlıkla çalışma riskini ortadan kaldırır.

BATARYA KUTUSUNUN ÇIKARILMASI

Şekle bakınız 4.

- Batarya kutusunu testereden çıkarmak için kutunun kenarında bulunan mandalların yerlerini belirleyin ve bunlara basın.
- Batarya kutusunu testereden çıkarın.

KESİCİ DİSKLER

Kör veya kötü şekilde aşınmışlarsa kesici disklerin en iyisi etkili şekilde kesmeyecektir. Kör bir kesici diskin kullanılması testere üzerinde ağır bir yük oluşturacaktır. Yedek kesici disk bulundurun böylece keskin kesici tekerlekler her zaman mevcut olacaktır.

TESTERİNİN ÇALIŞTIRILMASI/DURDURULMASI

Şekle bakınız 5.

Testereyi çalıştırmak için:

- Kilitleme düğmesine basın.
- Tetik anahtara basın.

Daima testerenin tam hıza ulaşmasını bekleyin ardından testereyi iş parçasına yönlendirin.

Testereyi durdurmak için:

- Tetik anahtarı bırakın.

Tetik anahtarı bıraktıktan sonra kesici diskin tamamen durmasını bekleyin. Kesici disk dönyükken testereyi iş parçasından çıkarmayın.

ÇALIŞTIRMA DÜĞMESİNİN KİLİT AÇMA DÜĞMESİ

Şekle bakınız 5.

Kilitleme düğmesi yanlışlıkla çalıştırma olasılığını düşürür. Kilitleme düğmesi tetik anahtarın üstündeki tutamakta bulunur. Kilitleme düğmesine tetik anahtarı çekmeden önce basın. Kilit tetiğin her birakılımasında sıfırlanır.

NOT: Kilitleme düğmesine hem sol hem de sağ taraftan basabilirsiniz.

KESİCİ DİSK DERİNLİĞİNİN AYARLANMASI

Şekle bakınız 6.

Her zaman doğru kesici disk derinliğini koruyun. Tüm kesimler için doğru kesici disk derinliği ayarı kesilecek malzemenin altını 6,35 mm'yi aşmamalıdır. Daha fazla kesici disk derinliği geri tepme şansını artıracak ve kesimin pürüzlü olmasına neden olacaktır. Kesim hassasiyetinin daha fazla derinliği için arka braket üzerinde bir ölçek bulunur.

- Derinlik ayar düğmesini gevşetin.
- Gerekli kesim derinliğini belirleyin.





Türkçe

- Kesim derinlik ölçüğünü yerini belirleyin.
- Taban lamasını iş parçasına dayalı tutun ve braket üzerindeki gösterge işareti kesici disk muhafazası üzerindeki çentikle aynı hizada olana kadar testereyi kaldırın veya indirin.
- Derinlik ayar düğmesini iyice sıkın.

TESTERENİN KULLANILMASI

Şekle bakınız 7 - 8.

Testerenin kullanılma yönteminin anlaşılması önemlidir. Testerenin doğru ve yanlış kullanım yollarını öğrenmek için bu bölümde bulunan şekillere bakın.

⚠ UYARI

Testereyi iş parçasından kaldırırken kesici disk testerenin alt tarafında görünür olmalı.

En iyi olası kesimi yapmak için:

- Testereyi her iki elinizle sıkıca tutun.
- Kesim yaparken elinizi iş parçasının üzerine koymaktan kaçının.
- Kesik (kesim oluğu) daima sizin tarafınızda olacak şekilde iş parçasını destekleyin.
- İş parçasını kesiciye yakın destekleyin.
- Kesim işlemi esnasında oynamayacak şekilde iş parçasını iyice sıkıştırın.
- Testereyi "kopan" parça üzerine değil desteklenen iş parçası üzerine yerleştirin.
- İş parçasını "sağlam" tarafı aşağıda olacak şekilde yerleştirin.
- Kesim işlemine başlamadan önce istenen kesim hattı boyunca bir kılavuz çizgi çizin.

KESİM YAPMAK

Bir işaret veya yağlı boya kalemi kullanarak kesilecek olan fayans üzerine daima bir çizgi çizin. Fayans parlak ve işaret konulması zorsa fayans üzerine bir maskeleyen bantı yapıştırın ve bu bantı işaretleyin.

Fayans kesme esnasındaki genel sorun işaretlenen çizgiden uzaklaşmaktır. İşaretten saptığınızda fayansı döndürerek kesici diski çizgiye dönmesi için zorlayamazsınız. Bunun yerine geri gidin ve kesici disk çizgiye dönene kadar fayansın küçük bir miktarını yeniden kesin.

Bu problemi önlemek üzere enine kesim ve gönye kesimlerde mümkün olduğunda düz kenarlı bir kılavuz kullanın. Islak kesim gerekiyorsa kesme işlemi dışarıda gerçekleştirilmelidir.

KENAR KILAVUZUN KULLANIMI

Şekle bakınız 9.

Testere ile uzun ya da geniş boylama kesim işlemi yaparken kenar kılavuzunu kullanın.

1. Batarya kutusunu aletten çıkarın.

2. Kenar kılavuzunu testere tabanındaki yuvaların içine yerleştirin.
3. Kenar kılavuzunu istenen genişliğe ayarlayın.
4. Kelebek vidayı iyice sıkın.

Kenar kılavuzu kullanırken, kenar kılavuzunun yüzünü çalışma parçasının kenarına sıkıca yerleştirin. Böylece bıçağı sıkıştırmadan düz bir kesim işlemi yapabilirsiniz. Kesimin düz olması için çalışma parçasının kılavuz kenarının da düz olması gerekir. Bıçağın kesilen parçaya sıkışmaması için dikkat edin.

BAKIM

⚠ UYARI

Alet için sadece RYOBI yedek parçalarını kullanın. Diğer parçaları kullanmak tehlike yaratabilir ya da hasara neden olabilir.

Plastik parçaları temizlerken solventleri kullanmaktan kaçının. Çoğu plastik, piyasada bulunan çözültü çeşitlerine karşı hassastır ve bu çözültülerin kullanılmasından dolayı hasar görebilirler. Kiri, tozu, yağı ve gres yağını temizlemek için temiz bir bez kullanın.

⚠ UYARI

Asla fren hidroliğinin, benzinin, petrol esaslı ürünlerin, yüzeye işleyen yağların vb. plastik parçalarla temas etmesine izin vermeyin. Bu kimyasal ürünler plastik parçaları zara verebilir; kırabilir ya da bozabilir.

Elektrikli aletleri kötü kullanmayın. Aleti kötü kullanmak iş parçasına olduğu kadar aletin kendisine de zarar verecektir.

⚠ UYARI

Değişiklik yapmayın ya da bu aletle kullanılması tavsiye edilmeyen aksesuarları kullanmayın. Bu tipteki değişiklikler hatalı kullanıma girer ve olası ciddi kişisel yaralanmalara neden olacak tehlikeli durumlara yol açabilir.

ÇEVRENİN KORUNMASI



Ham maddeleri çöp olarak atmak yerine geri dönüştürün. Çevreyi korumak için, alet, aksesuarlar ve ambalajlar tasnif edilmelidir.



Türkçe

SEMBOLLER



Güvenlik ikazı



CE uygunluğu



EurAsian Uyumluluk işareti



Ukrayna uygunluk işareti



Koruyucu gözlük kullanın



Makineyi çalıştırmadan talimatları dikkatlice okuyun.



Göz, kulak ve solunum koruması giyin.



Taş



Mermer



Seramik



Porselen



Atık elektrikli ürünler evsel atıklarla birlikte atılmamalıdır. Tesis bulunuyorsa lütfen geri dönüşüme verin. Geri dönüşümle ilgili tavsiye için Yerel Makamlarla veya bayi ile irtibat kurun.



Ελληνικά

Μέγιστη προτεραιότητα έχει δοθεί στην ασφάλεια, την απόδοση και την αξιοπιστία, κατά τον σχεδιασμό του κόπτη πλακιδίων υγρής / στεγνής λειτουργίας 18 V.

ΠΡΟΟΡΙΖΟΜΕΝΗ ΧΡΗΣΗ

Μπορείτε να χρησιμοποιήσετε το προϊόν για τους σκοπούς που αναφέρονται παρακάτω:

- Σταυρωτές υγρές κοπές, κοπή απόσχισης και λοξότμηση πλακακιών, πλακόστρωτων επιφανειών και υλικών από φυσική πέτρα.
- Για στεγνή κοπή των παραπάνω υλικών, απαιτείται ειδικός τροχός κοπής (δεν παρέχεται).

Το προϊόν δέχεται μπαταρίες λιθίου - ιόντων RYOBI ONE+ 18 V και νίκελ-καδμίου RYOBI ONE+ 18 V.

Για οδηγίες φόρτισης, συμβουλευτείτε το Εγχειρίδιο Χρήσης για τη μπαταρία RYOBI ONE+ και τα μοντέλα φορτιστών που διαθέτετε.

▲ ΠΡΟΕΙΔΟΠΟΙΗΣΗ

Διαβάστε όλες τις συστάσεις ασφαλείας και τις οδηγίες. Αν δεν τηρηθούν οι προειδοποιήσεις και οδηγίες, υπάρχει κίνδυνος ηλεκτροπληξίας, φωπιάς και / ή σοβαρού τραυματισμού.

Φυλάσσετε όλες τις προειδοποιήσεις και οδηγίες για μελλοντική χρήση.

ΠΡΟΕΙΔΟΠΟΙΗΣΕΙΣ ΑΣΦΑΛΕΙΑΣ ΚΟΠΤΗ ΠΛΑΚΑΚΙΩΝ

- Το προστατευτικό που συνοδεύει το εργαλείο πρέπει να είναι καλά τοποθετημένο στο εργαλείο για μέγιστη ασφάλεια, ώστε το μικρότερο δυνατό μέρος του τροχού να εκτίθεται προς τον χειριστή. Τοποθετήστε τον εαυτό σας και τους παριστάμενους μακριά από το επίπεδο του περιστρεφόμενου τροχού. Το προστατευτικό βοηθά στην προστασία του χειριστή από κομμάτια σπασμένων τροχών και τυχαία επαφή με τον τροχό.
- Χρησιμοποιείτε μόνο τροχούς κοπής διαμαντιού με το εργαλείο σας. Ακόμα κι αν ένα αξεσουάρ μπορεί να τοποθετηθεί σε εργαλείο, αυτό δεν διασφαλίζει ότι μπορείτε να χρησιμοποιείτε το εργαλείο εκείνο με απόλυτη ασφάλεια.
- Η ονομαστική ταχύτητα του αξεσουάρ πρέπει να είναι ίση ή μεγαλύτερη από την μέγιστη ταχύτητα που αναγράφεται στο εργαλείο. Τα αξεσουάρ που λειτουργούν με ταχύτητα μεγαλύτερη από την ονομαστική ταχύτητα μπορεί να σπασούν και να εκτιναχθούν.
- Οι τροχοί πρέπει να χρησιμοποιούνται μόνο για

τις προτεινόμενες εφαρμογές. Για παράδειγμα, μην εκτελείτε εργασίες ακονίσματος / λείανσης με την πλευρά του τροχού αποκοπής. Οι λειαντικοί τροχοί αποκοπής διατίθενται για περιφερειακό ακόνισμα - εάν ασκηθεί πλευρική πίεση σε αυτούς τους τροχούς ενδέχεται να θρυμματιστούν.

- Χρησιμοποιείτε πάντα φλάντζες τροχών σε άριστη κατάσταση και με σωστή διάμετρο για τον επιλεγμένο τροχό. Οι σωστές φλάντζες τροχών στηρίζουν τον τροχό και μειώνουν την πιθανότητα σπασίματός του.
- Η εξωτερική διάμετρος και το πάχος του αξεσουάρ πρέπει να αντιστοιχούν στα τεχνικά χαρακτηριστικά του εργαλείου. Όταν τα αξεσουάρ δεν αντιστοιχούν στα δεδομένα χαρακτηριστικά, δεν μπορούν να λειτουργήσουν σωστά τα συστήματα προστασίας και ρύθμισης του εργαλείου.
- Το μέγεθος πλαισίου των τροχών και φλαντζών πρέπει να είναι κατάλληλο για την άτρακτο του εργαλείου. Τροχοί και φλάντζες με σπές πλαισίου που δεν ταιριάζουν με το υλικό στερέωσης του εργαλείου, δεν θα παρέχουν ισορροπία, θα δονούνται υπερβολικά και μπορεί να προκαλέσουν απώλεια ελέγχου.
- Μην χρησιμοποιείτε φθαρμένους τροχούς. Πριν από κάθε χρήση, ελέγχετε τους τροχούς για ρωγμές και γρατσουνιές. Αν το εργαλείο ή ο τροχός πέσουν, ελέγξτε για ζημιές ή τοποθετήστε καινούριο τροχό. Αφού ελέγξετε και τοποθετήσετε τον τροχό, σταθείτε εσείς και οι παριστάμενοι μακριά από το επίπεδο του περιστρεφόμενου τροχού και λειτουργήστε το εργαλείο σε μέγιστη ταχύτητα χωρίς φορτίο για ένα λεπτό. Οι φθαρμένοι τροχοί συνήθως διαλύονται στη διάρκεια αυτής της δοκιμής.
- Να φοράτε μέσα ατομικής προστασίας. Ανάλογα με την χρήση του εργαλείου σας, φοράτε προστατευτική μάσκα, γυαλιά ασφαλείας ή προστατευτικά γυαλιά. Αν χρειαστεί, φορέστε μάσκα κατά της σκόνης, ωτασπίδες, γάντια και προστατευτική ποδιά για να προφυλαχτείτε από οιαδήποτε εκτίναξη ξένων σωμάτων (λειαντικά στοιχεία, ροκανίδια κλπ). Τα προστατευτικά γυαλιά αποτρέπουν την εκτίναξη θραυσμάτων και τον τραυματισμό των ματιών. Οι μάσκες κατά της σκόνης φιλτράρουν τα σωματίδια που δημιουργούνται από την εργασία που κάνετε. Η παρατεταμένη έκθεση στο δυνατό θόρυβο μπορεί να προκαλέσει απώλεια της ακοής.
- Κρατάτε τους επισκέπτες σε αρκετή απόσταση από την ζώνη εργασίας και φροντίστε να φορούν προστατευτικό εξοπλισμό. Κάθε άτομο που εισέρχεται στο χώρο εργασίας πρέπει να φορούν εξοπλισμό ατομικής προστασίας. Θραύσματα του τεμαχίου εργασίας ή σπασμένοι τροχοί μπορεί να





Ελληνικά

εκτιναχθούν, προκαλώντας τραυματισμούς και σε απόσταση από την άμεση περιοχή λειτουργίας.

- **Κρατάτε το εργαλείο μόνο από τα μονωμένα και αντλιοθητικά τμήματα όταν εργάζεστε σε επιφάνεια η οποία μπορεί να κρύβει ηλεκτρικά καλώδια ή όταν η εργασία που θα πραγματοποιήσετε κινδυνεύει να φέρει το καλώδιο παροχής ρεύματος στην διαδρομή του εργαλείου.** Η επαφή του εξαρτήματος κοπής με «ζωντανό» καλώδιο (ηλεκτροφόρο) μπορεί να μεταφέρει τον ηλεκτρισμό στα εκτεθειμένα μεταλλικά εξαρτήματα του εργαλείου, προκαλώντας ηλεκτροπληξία στον χειριστή.
- **Μην εναποθέτετε ποτέ το εργαλείο σας πριν σταματήσει τελειώς το αξεσουάρ.** Ο περιστρεφόμενος τροχός μπορεί να πιάσει την επιφάνεια και να τραβήξει το εργαλείο εκτός ελέγχου σας.
- **Μην βάζετε ποτέ το εργαλείο σας σε λειτουργία όταν το μεταφέρετε.** Το περιστρεφόμενο αξεσουάρ μπορεί να πιστεί στα ρούχα σας και να σας τραυματίσει σοβαρά.
- **Καθαρίζετε τακτικά τις σχισμές αερισμού του εργαλείου.** Ο αερισμός του μοτέρ αφήνει να διεισδύουν σκόνες στο εσωτερικό του περιβλήματος μοτέρ, με αποτέλεσμα να δημιουργείται υπερβολική συσσώρευση μεταλλικών σωματιδίων με κίνδυνο την ηλεκτροπληξία.
- **Μην χρησιμοποιείτε το εργαλείο σας κοντά σε εύφλετα υλικά.** Οι σπίθες κινδυνεύουν να προκαλέσουν ανάφλεξη.

ΕΠΙΣΤΡΟΦΗ ΚΑΙ ΣΧΕΤΙΚΕΣ ΕΙΔΟΠΟΙΗΣΕΙΣ

Η επιστροφή είναι μια ξαφνική αντίδραση σε έναν πιασμένο ή κολλημένο περιστρεφόμενο τροχό. Το πιάσιμο ή κόλλημα προκαλεί ξαφνική πτώση του περιστρεφόμενου τροχού, γεγονός που με τη σειρά του προκαλεί την ώθηση του ανεξέλεγκτου εργαλείου προς την αντίθετη κατεύθυνση από την κατεύθυνση περιστροφής του τροχού, στο σημείο του πιασίματος.

Για παράδειγμα, αν ένας λειαντικός τροχός μαγκώσει ή στρεβλώσει μέσα στο κατεργαζόμενο τεμάχιο, η κόψη του τροχού κινδυνεύει να καρφώσει στην επιφάνεια του κατεργαζόμενου τεμαχίου, με αποτέλεσμα ο τροχός να βγει απότομα από το κατεργαζόμενο τεμάχιο ή να κάνει επιστροφή. Σε περίπτωση αναπηδήματος, ο λειαντικός τροχός μπορεί ακόμα και να σπάσει. Το αναπήδημα είναι συνενώς το αποτέλεσμα λανθασμένης χρήσης του εργαλείου ή και λανθασμένων διαδικασιών ή συνθηκών κοπής.

Το αναπήδημα είναι συνενώς το αποτέλεσμα λανθασμένης χρήσης του εργαλείου ή και λανθασμένων διαδικασιών ή συνθηκών κοπής. Μπορεί ωστόσο να αποφευχθεί τηρώντας ορισμένες προφυλάξεις:

- **Κρατάτε σταθερά το εργαλείο και φέρετε το σώμα**

σας και το μπράτσο σας σε κατάλληλη θέση ώστε να μπορείτε να ελέγχετε τυχόν αναπήδημα. Αν το εργαλείο διαθέτει βοηθητική λαβή, φροντίστε να την κρατάτε πάντα για να έχετε άριστο έλεγχο του εργαλείου σε περίπτωση αναπηδήματος ή ζεύγους αντίδρασης κατά την έναρξη λειτουργίας του εργαλείου. Παίρνετε τα απαραίτητα μέτρα για να μπορείτε να ελέγχετε το εργαλείο σας σε περίπτωση αναπηδήματος ή ζεύγους αντίδρασης.

- **Μην βάζετε ποτέ το χέρι σας κοντά στο περιστρεφόμενο αξεσουάρ για να αποτρέψετε τον κίνδυνο σοβαρού σωματικού τραυματισμού σε περίπτωση αναπηδήματος.** Εξάρτημα μπορεί να κλωστήσει επάνω από το χέρι σας.
- **Μην στέκεστε σε ευθεία γραμμή με τον περιστρεφόμενο τροχό.** Σε περίπτωση αναπηδήματος, το εργαλείο εκκινάσεται προς την αντίθετη κατεύθυνση από την φορά περιστροφής του τροχού.
- **Προσέχετε ιδιαίτερα όταν εργάζεστε σε γωνίες, κοφτερές άκρες κλπ.**
- **Φροντίζετε να μην σας πλαγιολισθήσει ή να σας μαγκώσει το αξεσουάρ.** Όταν εργάζεστε σε γωνίες ή κοφτερές άκρες ή όταν σας πλαγιολισθήσει το εργαλείο, ο κίνδυνος είναι πιο μεγάλος να μπλοκάρει το αξεσουάρ και να χάσετε τον έλεγχο του εργαλείου προκαλώντας αναπήδημα.
- **Μην τοποθετείτε αλυσοπρίονα, λεπίδες σκαλισματος ξύλου, τροχό διαμαντιού σε τμήματα με περιφερειακό κενό μεγαλύτερο από 10 mm ή οδοντωτές λεπίδες κόπτη.** Αυτού του είδους οι λάμες αυξάνουν τον κίνδυνο αναπηδήματος και απώλειας ελέγχου του εργαλείου.
- **Μην “φρακάρετε” τον τροχό και μην ασκείτε υπερβολική πίεση.** Μην προσπαθείτε να κάνετε υπερβολικά βαθιές κοπές. Αν πιέσετε υπερβολικά τον τροχό, αυξάνεται το φορτίο και η πιθανότητα συστροφής ή πιασίματος του τροχού στην κοπή, μαζί με την πιθανότητα επιστροφής ή σπασίματος του τροχού.
- **Αν ο τροχός πιστεί ή όταν διακόπτετε μία κοπή για οποιοδήποτε λόγο, απενεργοποιείτε το εργαλείο και κρατάτε το ακίνητο μέχρι ο τροχός να σταματήσει τελείως.** Μην προσπαθείτε ποτέ να αφαιρέσετε τον τροχό από την κοπή, όταν ο τροχός κινείται, διαφορετικά μπορεί να προκληθεί επιστροφή. Αν ο δίσκος μαγκώσει, αναζητήστε την αιτία και λάβετε τα απαραίτητα μέτρα ούτως ώστε να μην επαναληφθεί.
- **Μην ξεκινάτε απ’ την αρχή την εργασία κοπής στο τεμάχιο όπου εργάζεστε.** Αφήστε τον τροχό να φτάσει στην πλήρη ταχύτητά του και κάντε προσεκτικά ξανά την κοπή. Ο τροχός μπορεί να πιστεί, να μετακινήσει ή να κάνει επιστροφή, αν γίνει νέα εκκίνηση του εργαλείου πάνω στο τεμάχιο.



Ελληνικά

- **Στηρίξτε πλαίσια ή ευμεγέθη τεμάχια για να ελαχιστοποιήσετε τον κίνδυνο πιασίματος του τροχού και επιστροφής.** Τα μεγάλα πλαίσια τείνουν να κρεμάνε από το βάρος τους. Τα υποστηρίγματα πρέπει να τοποθετηθούν κάτω από το τεμάχιο, κοντά στη γραμμή της κοπής και κοντά στην άκρη του τεμαχίου και στις δύο πλευρές του τροχού.
- **Προσέχετε ιδιαίτερα όταν κάνετε μία "κοπή θαλάκωσης" σε υπάρχοντα τοιχώματα ή άλλες περιοχές χωρίς ορατότητα.** Η προεξέχων τροχός μπορεί να κόψει αγωγούς αερίου ή νερού, ηλεκτρικά σύρματα ή αντικείμενα που μπορούν να προκαλέσουν επιστροφή.

ΕΠΙΠΡΟΣΘΕΤΕΣ ΠΡΟΕΙΔΟΠΟΙΗΣΕΙΣ ΑΣΦΑΛΕΙΑΣ

- Όταν δεν χρησιμοποιούνται, οι λεπίδες πρέπει να φυλάσσονται σε στεγνό χώρο και να χειρίζονται προσεκτικά.

ΕΠΙΠΡΟΣΘΕΤΕΣ ΠΡΟΕΙΔΟΠΟΙΗΣΕΙΣ ΑΣΦΑΛΕΙΑΣ ΜΠΑΤΑΡΙΑΣ

▲ ΠΡΟΕΙΔΟΠΟΙΗΣΗ

Για να αποτρέπεται τον κίνδυνο πυρκαγιάς λόγω βραχυκυκλώματος, τραυματισμούς ή ζημιές του προϊόντος, να μη βυθίζετε το εργαλείο, τον ανταλλακτικό συσσωρευτή ή τη συσκευή φόρτισης σε υγρά και να φροντίζετε, ώστε να μη διεισδύουν υγρά στις συσκευές και τους συσσωρευτές Διαβρωτικές ή αγώγιμες υγρές ουσίες, όπως αλατόνερο, ορισμένες χημικές ουσίες και λευκαντικά ή προϊόντα που περιέχουν λευκαντικά, μπορεί να προκαλέσουν βραχυκύκλωμα.

ΜΕΤΑΦΟΡΑ ΜΠΑΤΑΡΙΩΝ ΛΙΘΙΟΥ

Μεταφέρετε τη μπαταρία σε συμφωνία με τις τοπικές εθνικές διατάξεις και τους κανονισμούς.

Τηρείτε όλες τις ειδικές απαιτήσεις στη συσκευασία και στην ετικέτα κατά τη μεταφορά των μπαταριών από τρίτους. Εξασφαλίστε ότι δεν θα έρχονται σε επαφή οι μπαταρίες με άλλες μπαταρίες ή με αγώγιμα υλικά κατά τη διάρκεια της μεταφοράς, προστατεύοντας τους εκτεθειμένους συνδέσμους με μόνωση, μη αγώγιμα πώματα ή ταινία. Μη μεταφέρετε μπαταρίες που έχουν χτυπήματα ή διαρροή. Ενημερωθείτε από τη πρακτορείο μεταφορών για περαιτέρω ειδοποιήσεις.

ΠΕΡΙΓΡΑΦΗ

1. Κουμπί απασφάλισης της σκανδάλης
2. Διακόπτης ασφάλισης του άξονα
3. Κλίμακα κλίσης

4. Κουμπί κλειδώματος λοξόμησης
5. Κουμπί κλειδώματος οδηγού άκρων
6. Τροχός κοπής
7. Πέλμα
8. Κουμπί ρύθμισης ροής
9. Κουμπί απελευθέρωσης φιάλης νερού
10. Φιάλη νερού
11. Κουμπί κλειδώματος βάθους
12. Αποθήκευση κλειδιού τροχού
13. Μπαταρία (δεν περιλαμβάνεται)
14. Διακόπτης
15. Ροδέλα εσωτερικού τροχού
16. Τροχός
17. Ροδέλα εξωτερικού τροχού
18. Βίδα τροχού
19. Εσφαλμένη μέθοδος υποστήριξης
20. Σωστή μέθοδος υποστήριξης
21. Οδηγός παράλληλης κοπής (προαιρετικά)
22. Λαβή, μονωμένη επιφάνεια λαβής

ΣΥΝΑΡΜΟΛΟΓΗΣΗ

ΤΟΠΟΘΕΤΗΣΗ ΦΙΑΛΗΣ ΝΕΡΟΥ ΒΑΡΥΤΗΤΑΣ

Βλ. Σχήμα 2.

Η φιάλη νερού βαρύτητας έχει ενσωματωμένο εξαρτητήρα που ισορροπεί την πίεση και επιτρέπει στο νερό να ρέει πιο ελεύθερα.

- Αφαιρέστε την μπαταρία.
- Ξεβιδώστε τη διάταξη του ακροφύσιου.
- Γεμίστε τη φιάλη νερού μέχρι το επιθυμητό επίπεδο. Μην την παραγεμίσετε.
- Τοποθετήστε τη διάταξη ακροφύσιου.
- Κρατήστε τη φιάλη νερού έτσι ώστε το ακροφύσιο να κοιτάζει προς τα κάτω.
NOTE: Το νερό δεν φεύγει από τη φιάλη, εκτός αν πιεστεί η άκρη του ακροφύσιου.
- Τοποθετήστε τη φιάλη νερού όπως φαίνεται. Πίστετε απαλά προς τα κάτω τη φιάλη μέχρι να κλειδώσει στη θέση της.
- Για να αφαιρέσετε τη φιάλη νερού, πιέστε το κουμπί απελευθέρωσής της.

NOTE: Για στεγνές κοπές, αφήστε τη φιάλη νερού στη θέση της ώστε να μην μπουκώσουν η σκόνη και τα υπολείμματα το σύστημα παροχής νερού.

▲ ΠΡΟΣΟΧΗ

Η φιάλη νερού είναι σχεδιασμένη μόνο για νερό. Η χρήση οποιουδήποτε άλλου υγρού μπορεί να προκαλέσει ζημιές στο εργαλείο.

Ελληνικά

▲ ΠΡΟΕΙΔΟΠΟΙΗΣΗ

Τροχοί 101,6 mm είναι οι μέγιστοι που μπορούν να χρησιμοποιηθούν στον κόπτη. Επίσης, μην χρησιμοποιείτε ποτέ τροχούς που είναι υπερβολικά μεγάλοι ώστε να εμποδίζουν την εμπλοκή της ροδέλας τροχού με το επίπεδο της ατράκτου. Μεγαλύτεροι τροχοί θα έρθουν σε επαφή με τα προστατευτικά τροχών, ενώ τροχοί με μεγαλύτερο πάχος εμποδίζουν τη βίδα τροχού από το να κλειδώσει τον τροχό στην ατράκτο. Και οι δύο αυτές περιπτώσεις μπορούν να προκαλέσουν σοβαρό ατύχημα.

▲ ΠΡΟΕΙΔΟΠΟΙΗΣΗ

Μην χρησιμοποιείτε τροχούς κοπής με βαθμονόμηση μικρότερη από την ταχύτητα του εργαλείου χωρίς φορτίο. Διαφορετικά μπορεί να προκληθεί τραυματισμός. Μην χρησιμοποιείτε τροχούς με ρωγμές, κενά ή δόντια.

▲ ΠΡΟΕΙΔΟΠΟΙΗΣΗ

Μην χρησιμοποιείτε οδοντωτούς ή κατατμημένους τροχούς. Χρησιμοποιείτε μόνο συνεχόμενους, κυκλικούς τροχούς διαμαντιού, κατάλληλους για υλικά τοιχοποιίας.

ΤΟΠΟΘΕΤΗΣΗ ΤΡΟΧΟΥ ΚΟΠΗΣ

Βλ. Σχήμα 3.

- Αφαιρέστε την μπαταρία από τον κόπτη.
- Αφαιρέστε το κλειδί τροχού (5 mm εξαγωνικό κλειδί) από τη θέση φύλαξης.
- Πιέστε το κουμπί κλειδώματος ατράκτου και αφαιρέστε τη βίδα τροχού και την εξωτερική ροδέλα τροχού.

NOTE: Γυρίστε τη βίδα τροχού δεξιόστροφα για να την αφαιρέσετε.

▲ ΠΡΟΣΟΧΗ

Για να μην προκληθούν ζημιές στην ατράκτο ή το κλειδωμά της, περιμένετε πάντα να σταματήσει τελείως ο κινητήρας πριν βάλετε το κλειδωμά.

NOTE: Μην λειτουργείτε τον κόπτη με την ατράκτο κλειδωμένη.

- Ρίξτε μια σταγόνα λάδι στην εσωτερική ροδέλα τροχού και την εξωτερική ροδέλα τροχού, στο σημείο που έρχονται σε επαφή με τον τροχό.

▲ ΠΡΟΕΙΔΟΠΟΙΗΣΗ

Αν η εσωτερική ροδέλα τροχού έχει αφαιρεθεί, τοποθετήστε την πριν τοποθετήσετε τον τροχό κοπής στην ατράκτο. Διαφορετικά μπορεί να προκληθεί ατύχημα αφού ο τροχός δεν θα σφίγγει σωστά.

- Τοποθετήστε την εξωτερική ροδέλα τροχού.
- Πιέστε το κουμπί κλειδώματος ατράκτου και τοποθετήστε τη βίδα τροχού. Σφίξτε τη βίδα τροχού καλά, στρίβοντάς την αριστερόστροφα.
- Επιστρέψτε το κλειδί τροχού στη θέση φύλαξης.

NOTE: Μην χρησιμοποιείτε ποτέ τροχούς που είναι υπερβολικά μεγάλοι ώστε να εμποδίζουν την εμπλοκή της ροδέλας τροχού με το επίπεδο της ατράκτου.

ΛΕΙΤΟΥΡΓΙΑ

▲ ΠΡΟΕΙΔΟΠΟΙΗΣΗ

Φοράτε πάντα μάσκα κατά της σκόνης όταν χρησιμοποιείτε κόπτες πλακακιών. Διαφορετικά μπορεί να προκληθεί σοβαρός τραυματισμός.

▲ ΠΡΟΕΙΔΟΠΟΙΗΣΗ

Φοράτε πάντα προστατευτικά γυαλιά ή γυαλιά ασφαλείας με πλαϊνές ασπίδες κατά τον χειρισμό προϊόντων. Η μη τήρηση της σύστασης αυτής μπορεί να προκαλέσει την προβολή ξένων σωμάτων στα μάτια σας επιφέροντας σοβαρές οφθαλμικές βλάβες.

▲ ΠΡΟΕΙΔΟΠΟΙΗΣΗ

Μην χρησιμοποιείτε εξαρτήματα ή μέρη που δεν προτείνονται από τον κατασκευαστή του προϊόντος. Η χρήση μη συνιστώμενων ανταλλακτικών ή εξαρτημάτων μπορεί να επιφέρει κίνδυνο σοβαρού τραυματισμού.

ΧΑΡΑΚΤΗΡΙΣΤΙΚΑ ΠΡΟΣΤΑΣΙΑΣ ΜΠΑΤΑΡΙΑΣ

Οι μπαταρίες λιθίου-ιόντων της RYOBI 18 V είναι σχεδιασμένες με χαρακτηριστικά που προστατεύουν τα στοιχεία λιθίου-ιόντων και μεγιστοποιούν τη διάρκεια ζωής της μπαταρίας. Σε ορισμένες συνθήκες λειτουργίας, αυτά τα ενσωματωμένα χαρακτηριστικά μπορεί να προκαλέσουν διαφορετική συμπεριφορά στην μπαταρία και το εργαλείο απ' ό,τι συμβαίνει με τις μπαταρίες νικελ-καδμίου.

Κατά τη διάρκεια ορισμένων εφαρμογών, τα ηλεκτρονικά της μπαταρίας μπορεί να απενεργοποιήσουν την μπαταρία με συνέπεια να σταματήσει η λειτουργία του εργαλείου. Για να κάνετε επανεκκίνηση σε μπαταρία και



Ελληνικά

εργαλείο, αφήστε τον διακόπτη και συνεχίστε κανονικά τη λειτουργία.

NOTE: Για να αποφεύγετε τον τερματισμό της μπαταρίας, μην πιέζετε το εργαλείο.

Αν αφήνοντας τον διακόπτη δεν γίνεται επανεκκίνηση σε μπαταρία και εργαλείο, η μπαταρία έχει αδειάσει. Εάν αδειάσει η μπαταρία, θα ξεκινήσει να φορτίζει όταν την τοποθετήσετε στον φορτιστή λιθίου-ιόντων.

ΤΟΠΟΘΕΤΗΣΗ ΜΠΑΤΑΡΙΑΣ

Βλ. Σχήμα 4.

- Τοποθετήστε την μπαταρία στον κόπτη. Ευθυγραμμίστε το ανασηκωμένο πλευρό της μπαταρίας με το αυλάκι μέσα στον κόπτη και γλιστρήστε την μπαταρία μέσα στον κόπτη.
- Βεβαιωθείτε ότι τα άγκιστρα σε κάθε πλευρά της μπαταρίας κουμπώνουν στη θέση τους και ότι η μπαταρία είναι καλά τοποθετημένη στο εργαλείο πριν αρχίσετε τη χρήση.

⚠ ΠΡΟΕΙΔΟΠΟΙΗΣΗ

Αφαιρείτε πάντα την μπαταρία από το εργαλείο σας όταν τον συναρμολογείτε, κάνετε προσαρμογές, το καθαρίζετε ή δεν το χρησιμοποιείτε. Αφαιρώντας την μπαταρία αποφεύγετε την τυχαία έναρξη που μπορεί να προκαλέσει σοβαρό τραυματισμό.

ΑΦΑΙΡΕΣΗ ΜΠΑΤΑΡΙΑΣ

Βλ. Σχήμα 4.

- Βρείτε τα άγκιστρα στο πλάι της μπαταρίας και πιέστε τα για να αφαιρέσετε την μπαταρία από τον κόπτη.
- Αφαιρέστε την μπαταρία από τον κόπτη.

ΤΡΟΧΟΙ ΚΟΠΗΣ

Ακόμη και οι καλύτεροι τροχοί κοπής δεν κόβουν καλά αν έχουν αμβλυνθεί ή φθαρεί. Η χρήση τροχού που έχει αμβλυνθεί ασκεί μεγάλη πίεση στον κόπτη. Έχετε ανταλλακτικούς τροχούς, ώστε να χρησιμοποιείτε πάντα τους καλά ακονισμένους.

ΕΝΑΡΞΗ / ΔΙΑΚΟΠΗ ΚΟΠΤΗ

Βλ. Σχήμα 5.

Για να ξεκινήσετε τον κόπτη:

- Πιέστε το κουμπί κλειδώματος.
- Πιέστε τον διακόπτη.

Αφήνετε πάντα τον τροχό να φτάσει στην πλήρη ταχύτητα και στη συνέχεια οδηγήστε τον στο τεμάχιο στο οποίο εργάζεστε.

Για να σταματήσετε τον κόπτη:

- Αφήστε τον διακόπτη.

Αφού αφήσετε τον διακόπτη, περιμένετε μέχρι ο τροχός

να σταματήσει τελείως. Μην αφαιρείτε τον κόπτη από το τεμάχιο στο οποίο εργάζεστε όσο ο τροχός κινείται ακόμη.

ΚΟΥΜΠΙ ΑΠΑΣΦΑΛΙΣΗΣ ΤΗΣ ΣΚΑΝΔΑΛΗΣ

Βλ. Σχήμα 5.

Το κουμπί κλειδώματος μειώνει την πιθανότητα τυχαίας έναρξης. Βρίσκεται στη λαβή, πάνω από τον διακόπτη. Θα πρέπει να το πιέσετε πριν τραβήξετε τον διακόπτη. Το κλειδίωμα κάνει επανεκκίνηση κάθε φορά που αφήνετε τον διακόπτη.

NOTE: Μπορείτε να πιέσετε το κουμπί κλειδώματος από την αριστερή ή τη δεξιά πλευρά.

ΠΡΟΣΑΡΜΟΓΗ ΒΑΘΟΥΣ ΤΡΟΧΟΥ

Βλ. Σχήμα 6.

Διατηρείτε πάντα τη σωστή ρύθμιση βάθους τροχού. Η σωστή ρύθμιση βάθους τροχού για όλες τις κοπές δεν πρέπει να ξεπερνάει τα 6,35 mm κάτω από το υλικό που κόβεται. Μεγαλύτερο βάθος τροχού αυξάνει τις πιθανότητες επιστροφής και προκαλεί τραχιά κοπή. Για περισσότερη ακρίβεια στην επιλογή του βάθους, βρίσκεται μια κλίμακα στον πίσω βραχίονα.

- Ξεσφίξτε το κουμπί προσαρμογής βάθους.
- Επιλέξτε το επιθυμητό βάθος κοπής.
- Βρείτε την κλίμακα βάθους κοπής στον πίσω βραχίονα.
- Κρατήστε τη βάση επίπεδη κόντρα στο τεμάχιο στο οποίο εργάζεστε και ανασηκώστε ή χαμηλώστε τον κόπτη μέχρι η ένδειξη στον βραχίονα να ευθυγραμμιστεί με την εσοχή στο προστατευτικό τροχού.
- Σφίξτε καλά το κουμπί προσαρμογής βάθους.

ΧΡΗΣΗ ΚΟΠΤΗ

Βλ. Σχήμα 7 - 8.

Είναι σημαντικό να κατανοήσετε καλά τη σωστή μέθοδο χρήσης του κόπτη. Συμβουλευτείτε τα σχήματα σε αυτήν την ενότητα για να μάθετε τους σωστούς και λάθος τρόπους για τον χειρισμό του.

⚠ ΠΡΟΕΙΔΟΠΟΙΗΣΗ

Όταν ανασηκώνετε τον κόπτη από το τεμάχιο στο οποίο εργάζεστε, ο τροχός εκτίθεται στην κάτω πλευρά του κόπτη.

Για να κάνετε την καλύτερη δυνατή κοπή:

- Κρατήστε τον κόπτη καλά με τα δυο σας χέρια.
- Αποφύγετε να τοποθετήσετε το χέρι σας στο τεμάχιο στο οποίο εργάζεστε όσο πραγματοποιείτε την κοπή.
- Υποστηρίξτε το τεμάχιο στο οποίο εργάζεστε, ώστε η κοπή (εγκοπή) να βρίσκεται πάντα προς το μέρος σας.
- Υποστηρίξτε το τεμάχιο στο οποίο εργάζεστε κοντά στην κοπή.





Ελληνικά

- Σφίξτε το τεμάχιο καλά ώστε να μην μετακινηθεί κατά τη διάρκεια της κοπής.
- Τοποθετείτε πάντα το πριόνι στο τεμάχιο που υποστηρίζεται και όχι στο κομμάτι «αποκοπής».
- Τοποθετήστε το τεμάχιο με την «καλή» πλευρά προς τα κάτω.
- Σχεδιάστε μια γραμμή κατά μήκος της κατεύθυνσης που θέλετε να κόψετε πριν ξεκινήσετε την κοπή.

ΚΟΠΕΣ

Σχεδιάζετε πάντα τη γραμμή που θα κόψετε πάνω στο πλακίδιο με έναν μαρκαδόρο ή μολύβι γράσου. Αν το πλακάκι είναι πολύ γυαλιστερό και μαρκάρεται δύσκολα, τοποθετήστε ταινία πάνω του και μαρκάρετε την ταινία.

Ένα συνηθισμένο πρόβλημα στην κοπή πλακιδίων είναι όταν ξεφεύγουμε από τη μαρκαρισμένη γραμμή. Αν ξεφύγετε από τη γραμμή, δεν μπορείτε να πιέσετε τον τροχό να επιστρέψει σε αυτήν γυρίζοντας το πλακάκι. Αντίθετα, κάντε πίσω και ξανακόψτε το πλακάκι αφαιρώντας μια μικρή ποσότητά του, μέχρι ο τροχός να επιστρέψει στη σωστή θέση.

Για να αποφύγετε αυτό το πρόβλημα, χρησιμοποιείτε έναν οδηγό με ευθείες άκρες όπου μπορείτε για να κάνετε σταυρωτές και λοξές κοπές. Αν επιθυμείτε να κάνετε υγρή κοπή, εκτελέστε την σε εξωτερικό χώρο.

ΧΡΗΣΗ ΤΟΥ ΟΔΗΓΟΥ ΑΚΡΩΝ

Βλ. Σχήμα 9.

Χρησιμοποιείτε τον οδηγό άκρων όταν κόβετε κατά μήκος ή κατά πλάτος με τον κόφτη.

1. Αφαιρέστε την μπαταρία από το εργαλείο.
2. Τοποθετήστε τον οδηγό άκρων μέσα από τις θυρίδες της βάσης του κόφτη.
3. Ρυθμίστε τον οδηγό άκρων στο επιθυμητό πλάτος.
4. Σφίξτε καλά την πεταλούδα.

Κατά τη χρήση του οδηγού άκρων, εφαρμόστε καλά την όψη του οδηγού στο άκρο του τεμαχίου εργασίας. Έτσι επιτυγχάνεται καλή τομή χωρίς συμπίεση της λεπίδας. Το άκρο-οδηγός του τεμαχίου εργασίας πρέπει να είναι ίσιο για να επιτύχετε ίσια τομή. Εργαστείτε προσεκτικά ώστε να μην σκαλώσει η λεπίδα μέσα στην τομή.

ΣΥΝΤΗΡΗΣΗ

⚠ ΠΡΟΕΙΔΟΠΟΙΗΣΗ

Κατά το σέρβις, χρησιμοποιείτε μόνο πανομοιότυπα ανταλλακτικά RYOBI. Η χρήση οποιουδήποτε άλλου ανταλλακτικού μπορεί να παρουσιάσει κίνδυνο ή να προκαλέσει ζημιά στο εργαλείο σας.

είναι επιρρεπής σε φθορές από τους διάφορους τύπους διαλυτών που είναι διαθέσιμοι στο εμπόριο και μπορεί να καταστραφούν από τη χρήση τους. Χρησιμοποιήστε ένα καθαρό πανί για να αφαιρέσετε βρωμιά, σκόνη, λάδια, γράσο κ.λπ.

⚠ ΠΡΟΕΙΔΟΠΟΙΗΣΗ

Σε καμία περίπτωση μην επιτρέπετε τα υγρά φρένων, η βενζίνη, προϊόντα με βάση το πετρέλαιο, έλαια που διεισδύουν κλπ. να έρχονται σε επαφή με πλαστικά τμήματα. Αυτά τα χημικά προϊόντα περιέχουν ουσίες οι οποίες μπορούν να προξενήσουν ζημιά, να μειώσουν ή να καταστρέψουν το πλαστικό.

Προσέχετε στον χειρισμό μηχανοκίνητων εργαλείων. Η κατάχρηση μπορεί να προκαλέσει ζημιές στο εργαλείο και στο κομμάτι στο οποίο εργάζεστε.

⚠ ΠΡΟΕΙΔΟΠΟΙΗΣΗ

Μην προσπαθήσετε να τροποποιήσετε το εργαλείο σας ή να προσθέσετε εξαρτήματα η χρήση των οποίων δε συνιστάται. Κάθε τέτοια τροποποίηση ή αλλαγή αποτελεί κατάχρηση και μπορεί να οδηγήσει σε επικίνδυνες συνθήκες και σε πιθανό σοβαρό τραυματισμό.

ΠΡΟΣΤΑΣΙΑ ΤΟΥ ΠΕΡΙΒΑΛΛΟΝΤΟΣ



Ανακυκλώνετε τις πρώτες ύλες αντί να τις πετάτε ως απορρίμματα. Για την προστασία του περιβάλλοντος, πρέπει να γίνεται ι διαλογή του εργαλείου, των εξαρτημάτων και των συσκευασιών του.

ΣΥΜΒΟΛΑ



Προειδοποίηση ασφαλείας



Συμμόρφωση CE



EurAsian σήμα πιστότητας



Ουκρανικό σήμα συμμόρφωσης

Αποφύγετε τη χρήση διαλυτών κατά τον καθαρισμό πλαστικών εξαρτημάτων. Τα περισσότερα πλαστικά



Ελληνικά



Φοράτε προστατευτικά ματιών



Παρακαλούμε διαβάστε τις οδηγίες προσεκτικά πριν ξεκινήσετε το μηχάνημα.



Φοράτε προστατευτικά για τα μάτια, τα αυτιά και αναπνοή.



Πέτρα



Μάρμαρο



Κεραμικά



Πορσελάνη



Τα ηλεκτρικά προϊόντα προς απόρριψη δεν θα πρέπει να απορρίπτονται μαζί με τα οικιακά απόβλητα. Παρακαλούμε ανακυκλώστε όπου υπάρχουν οι αντίστοιχες εγκαταστάσεις. Μιλήστε με τις τοπικές αρχές ή τον πωλητή για να σας ενημερώσουν σχετικά με τα προγράμματα ανακύκλωσης.



English	Français	Deutsch	Español	Italiano	Nederlands	Português
Product specifications	Caractéristiques de l'appareil	Produkt-Spezifikationen	Especificaciones del producto	Specifiche prodotto	Productspecificaties	Especificações do produto
18 Volt Wet / Dry Tile Saw	Scie Coupe-Carrelage À Eau / À Sec 18 Volt	18 Volt Nass / Trocken Fliesenschneider	Sierra Húmeda / Seca De 18 Volt Para Azulejos	Taglierina Per Piastrelle Da 18V Per Taglio Umido / A Secco	18 Volt Natte / Droge Tegetzaagmachine	Serra Para Ladrilho A Húmido / Seco De 18 Volts
Model	Numéro de modèle	Modell	Marca	Marca	Merk	Marca
Voltage	Tension	Elektrische Spannung	Tensión	Voltaggio	Spanning	Voltagem
Wheel Diameter	Diamètre du disque	Scheibendurchmesser	Diámetro del disco	Diámetro ruota	Wieldiameter	Diâmetro da Roda
Wheel Arbor	Axe de broche	Scheibenthalterung	Mandril de sujeción del disco	Alberto ruota	Wielasgat	Eixo da Roda
Cutting Depth at 0°	Profondeur de coupe à 0°	Schnitttiefe bei 0°	Profundidad de corte a 0°	Profondità di taglio a 0°	Zaagdiepte bij 0°	Profundidade do Corte a 0°
Cutting Depth at 45°	Profondeur de coupe à 45°	Schnitttiefe bei 45°	Profundidad de corte a 45°	Profondità di taglio a 45°	Zaagdiepte bij 45°	Profundidade do Corte a 45°
No Load Speed	Vitesse à vide	Leerlaufgeschwindigkeit	Velocidad en vacío	Velocità senza carico	Onbelast toerental	Sem carga de velocidade
Wheel Type (Continuous Rim Diamond Wheel)	Type de disque (A jante lisse Au diamant)	Scheiben Typ (Endlosrand Diamantscheibe)	Tipo de disco (Borde continuo de diamante)	Tipo ruota (Cerchiatura continua Ruota con affilatura al diamante)	Wieltype (Naadloos Stervormig)	Tipo de Roda (Arco Contínuo Roda de Diamante)
Thickness of blade	Épaisseur de la lame	Sägeblatt Dicke	Grosor hoja	Spessore lama	Zaagbladdikte	Espessura lâmina
Weight (not incl. battery pack)	Poids (sans pack batterie)	Gewicht (ohne Akkupack)	Peso (sin batería)	Peso (senza gruppo batterie)	Wiel Gewicht (excl. accu)	Peso (não inclui bateria)



Čeština	Magyar	Română	Latviski	Lietuviškai	Eesti
Technické údaje produktu	Termék műszaki adatai	Specificațiile produsului	Produkta specifikācijas	Gaminio techninės savybės	Toote tehnilised andmed
18 Voltová Pila Pro Suché / Mokré Řezání Dlaždic	18 Voltos Száraz / Nedves Csempevágó	Mașină De Taiat Cu Disc Diamantat Umed / Uscat De 18 Volt	18 V Mitrū / Sausu Flīžu Zāģis	18 Voltų Plytelių Pjovimo Staklės Pjovimui Sausu / Šlapiu Būdu	Plaadi Märg / Kuivisaag 18 Volti
Značka	Márka	Număr serie	Modeļa numurs	Prekės ženklas	Mark
Elektrické napětí	Feszültség	Tensiune	Spriegums	Ītampa	Pinge
Průměr kotouče	Vágótárcsa átmérője	Diametrul discului	Ripas diametrs	Disko skersmuo	Ketta läbimõõt
Vřeteno kotouče	Tárcsa furata	Axul discului	Ripas vārpsta	Disko ašis	Ketta siseläbimõõt
Hloubka řezu při 0°	Vágási mélység 0°-nál	Adâncimea de tăiere la 0°	Zāģēšanas dziļums 0° leņķī	Pjovimo gylis 0° kampu	Lõikesügavus kaldel 0°
Hloubka řezu při 45°	Vágási mélység 45°-nál	Adâncimea de tăiere la 45°	Zāģēšanas dziļums 45° leņķī	Pjovimo gylis 45° kampu	Lõikesügavus kaldel 45°
Rychlost naprázdno	Üresjárati fordulatszám	Turația la mers în gol	Apgrīezieni bez slodzes	Greitis be apkrovos	Kiirus ilma koormuseta
Typ kotouče Souvislý lem (Diamantový kotouč)	Tárcsa típusa (Folyamatosan peremezett Gyémánttárcsa)	Tip disc (Fără asperităţi Disc diamantat)	Ripas tips (Gludas virsmas dimanta ripa)	Disko tips (Vientasis rattankis Deimantinis diskas)	Ketta tüüp (katkestusteta alusplaat Teemantketas)
Pilový kotouč Tloušťka	Vastagság Fűrészlemez	Grosime Lamă	Ripa biezums	Geležtė storis	Saeketas pakus
Hmotnost (bez akumulátorového modulu)	Tömeg (akkumulátor nélkül)	Greutate (fără acumulator)	Svars (bez akumulatora)	Svoris (be baterijos paketo)	Mass (ilma akupaketita)





Dansk	Svenska	Suomi	Norsk	Русский	Polski	
Produktspecifikationer	Produktspecifikationer	Tuotteen tekniset tiedot	Produktspesifikasjoner	Характеристики изделия	Parametry techniczne	
18 Volt Våd / Torr Flisesav	18 Volt Våt- / Torrkakelkap	18 Voltin Märkä / Kuiva Tiilisaha	18 Volt Våt / Torr Flissag	Пила Для Резания Плитки (Сухого И Со Смачиванием), 18 В	18V Akumulatorowa Pila Do Ciecía Plytek (Na Sucho I Mokro)	
Brand	Modellnummer	Mallinmero	Merke	Марка	Numer modelu	LTS180
Spænding	Spänning	Jännite	Spenning	Напряжение	Napięcie	18 V $\overline{\text{---}}$
Hjuldiameter	Diameter hos skärklinga	Terän halkaisija	Skjærebliaddiameter	Диаметр диска	Srednica tarczy	105 mm
Hjulaksel	Spindel skärklinga	Terän akseli	Akselhull	Вал диска	Srednica trzpienia tarczy tnacej	15,9 mm
Skæredybde ved 0°	Kapdjup vid 0°	Leikkuusyvyys kulmassa 0°	Skjæredybde ved 0°	Глубина резания при 0°	Glebokosc ciecia pod katem 0°	22,2 mm
Skæredybde ved 45°	Kapdjup vid 45°	Leikkuusyvyys kulmassa 45°	Skjæredybde ved 45°	Глубина резания при 45°	Glebokosc ciecia pod katem 45°	15,9 mm
Tomgangshastighed	Hastighet utan belastning	Kuormaton nopeus	Hastighet uten belastning	Скорость вращения без нагрузки	Predkosc bez obciazenia	5,000 min ⁻¹
Hjultype (Kontinuerlig kant Diamanthjul)	Typ av skärklinga (Helbelagd yta Diamantskärklinga)	Terätyyppi Jatkuvareunainen (Timantitiera)	Skjærebladtype Sammenhengende kant (Diamantskjæreblad)	Тип диска С алмазой (режущей кромкой)	Typ tarczy tnacej obwod cięgly (Tarcza diamentowa)	
Klingetykkelse	Sågklingtjocklek	Teräpaksuus	Blad tykkelse	Толщина Лезви	Grubość Tarcza	1,2 mm
Vægt (ekskl. batteri)	Vikt (utan batteripack)	Paino (ilman akku)	Vekt (uten batteripakke)	Вес (без аккумуляторной батареи)	Ciezar (bez akumulatora)	2,6 kg



Hrvatski	Slovensko	Slovenčina	България	українська мова	Türkçe	Ελληνικά	
Specifikacije proizvoda	Specifikacije izdelka	Špecifikácie produktu	Технически характеристики	Технічні характеристики продукту	Ürün Özellikleri	Προδιαγραφές Προϊόντος	
Mokro/Suha Pila Za Pločice Od 18 Volti	18-Voltni Mokra / Suha Žaga Za Ploščice	18 V Pilka Na Diaždice Pre Mokré / Suché Rezanie	18 V циркуляр за сухо/мочно рязане на плочки	Верстат сухого / вологого різку плитки 18В	18 Volt Islak / Kuru Fayans Testeresi	Κοπτής Υγρών / Ξηρών Πλακακιών 18 Volt	
Marka	Znamka	Značka	Модел	Модель	Marka	Μάρκα	LTS180
Napon	Napetost	Napätie	Напряжение	Напряжение	Voltaj	Τάση	18 V $\overline{\text{---}}$
Promjer rezne ploce	Premer lista	Priemer kotúča	Диаметър на колелото	Диаметр диску	Disk Çapı	Διάμετρος τροχού	105 mm
Vratilo rezne ploce	Izvrtnina v listu	Uprinací trň kotúča	Вал на диска	Вісь диску	Disk Mili	Άξονας τροχού	15,9 mm
Dubina rezanja pri 0°	Globina reza pri 0°	Rezacia hĺbka pri 0°	Дълбочина на рязане при 0°	Глибина різання під кутом 0°	0° de Kesme Derinliği	Βάθος κοπής σε 0°	22,2 mm
Dubina rezanja pri 45°	Globina reza pri 45°	Rezacia hĺbka pri 45°	Дълбочина на рязане при 45°	Глибина різання під кутом 45°	45° de Kesme Derinliği	Βάθος κοπής σε 45°	15,9 mm
Brzina bez opterećenja	Št. vrtljajev v prostem teku	Rýchlosť pri nulovej záťaži	Скорост в ненатоварен режим	Швидкість без навантаження	Yüksüz Hiz	Ταχύτητα χωρίς φορτίο	5,000 min ⁻¹
Vrsta rezne ploce (Neprekidan rub Dijamantna rezna ploca)	Vrsta lista (kontinuiran obroč dijamantni list)	Typ kotúča (Kotúč so spojitým diamentovým okrajom)	Тип на диска (диамантен диск с непрекъснат венец)	Тип диску (алмазний диск з суцільним ободом)	Kesici Disk Türü (Kesintisiz Çerçevesiz Elmas Kesici Disk)	Τύπος τροχού (Συνεχόμενος Κυκλικός Τροχός διαμαντιού)	
Debljina Oštrica	Rezilo debelina	Ostrie hrúbka	Дебелина на острието	Товщина диску	Biçak kalınlığı	Λάμα πάχος	1,2 mm
Težina (bez baterije)	Teža (brez baterije)	Hmotnosť (bez súpravy batérie)	Стойност на вибрационните емисии	Значення вібраційної емісії	Ağırlık (batarya kutusu hariç)	Βάρος (χωρίς την μπαταρία)	2,6 kg





English	Français	Deutsch	Español	Italiano	Nederlands	Português
Product specifications	Caractéristiques de l'appareil	Produkt-Spezifikationen	Especificaciones del producto	Specifiche prodotto	Productspecificaties	Especificações do produto
Measured sound values determined according to EN 60745:	Valeurs du son mesuré déterminées selon EN 60745:	Gemäß EN 60745: gemessene Schallwerte	Valores medidos del sonido en función de la norma EN 60745:	Valori del suono misurati determinati secondo lo standard EN 60745:	Gemeten geluidswaarden bepaald in overeenstemming met EN 60745:	Valores medidos do som em função da norma EN 60745:
A-weighted sound pressure level	Niveau de pression sonore pondéré-A	A-bewerteter Schalldruckpegel	Nivel de presión acústica ponderada en A	Livello di pressione sonora pesato A	A-gewogen geluidsdrukniveau	Nível de pressão sonora ponderada A
Uncertainty K	Incertitude K	Unsicherheit K	Incertidumbre K	Incertezza K	Onzekerheid K	Incerteza K
A-weighted sound power level	Niveau de puissance sonore pondéré-A	A-bewerteter Schalleistungspegel	Nivel de potencia acústica ponderada en A	Livello di potenza sonora pesato A	A-gewogen geluidsniveau	Nível de potência sonora ponderada A
Uncertainty K	Incertitude K	Unsicherheit K	Incertidumbre K	Incertezza K	Onzekerheid K	Incerteza K
Wear ear protectors.	Portez une protection acoustique.	Tragen Sie Gehörschutz.	Utilice protección auditiva!	Indossare protezioni acustiche adeguate.	Draag oorbeschermers .	Sempre use a proteção dos ouvidos.
The vibration total values (triaxial vector sum) determined according to EN 60745:	La valeur totale des vibrations (somme vectorielle triaxiale) déterminée selon EN60745:	Die Vibrationsgesamtwerte (dreiaxiale Vektorsumme) ermittelt nach EN60745:	Los valores de vibración total (suma vectorial triaxial), determinado según la norma EN60745:	I valori totali delle vibrazioni (somma vettore triassiale) sono misurati conformemente alla norma EN60745:	De totale trillingswaarden (triaxiale vectorsom) vastgesteld in overeenstemming met EN60745:	Os valores totais de vibração (Soma vectorial triaxial) foram determinados de acordo com a norma EN 60745:
Vibration emission value	Valeur d'émission de vibrations	Vibrationsemissionswert	Valor de emisión de vibraciones	Valore delle emissioni vibrazioni	Trillingsemisiewaarde	Valor de emissão de vibrações
Uncertainty K	Incertitude K	Unsicherheit K	Incertidumbre K	Incertezza K	Onzekerheid K	Incerteza K



Čeština	Magyar	Română	Latviski	Lietuviškai	Eesti
Technické údaje produktu	Termék műszaki adatai	Specificațiile produsului	Produkta specifikācijas	Gaminio techninės savybės	Toote tehnilised andmed
Naměřené hodnoty hluku zjištěné dle EN 60745:	A hang értékek meghatározása az EN 60745: szerint történt:	Valori de sunet măsurate determinate în conformitate cu EN 60745:	Izmērītās skaņas vērtības ir noteiktas saskaņā ar EN 60745:	Išmatuotos garso vertės nustatytos pagal EN 60745:	Mõõteväärtused on kindlaks määratud vastavalt standardile EN 60745:
Hladina akustického tlaku vážená funkci A	A-súlyozott hangnyomásszint	Nivel de presiune acustică ponderată A	A-tilmeņa skaņas spiediena līmenis	A svertinis garso slėgio lygis	A-kaalutud helirõhu tase
Nejistota K	Bizonytalanság K	Incertitudine K	kļūdas vērtība K	Nepastovumas K	mõõtemääramatus K
Hladina akustického výkonu vážená funkci A	A-súlyozott hangteljesítményszint	Nivel de putere acustică ponderată A	A-tilmeņa skaņas jaudas līmenis	A svertinis garso galios lygis	A-kaalutud helivõimsuse tase
Nejistota K	Bizonytalanság K	Incertitudine K	kļūdas vērtība K	Nepastovumas K	mõõtemääramatus K
Používejte chrániče sluchu.	Viseljen hallásvédőt.	Purtați aparatoare de urechi.	Lietojiet dzirdes aizsargus.	Naudokite ausų apsaugos priemonės.	Kasutage kuulmiskaitsevahendeid.
Celkové hodnoty vibrací (Trojsov vektorový součet) určené v souladu s EN60745:	Vibráció teljes értékei (háromtengelyű vektorösszeg), az EN 60745 szerint meghatározva:	Valorile totale ale vibrațiilor (sumă vector triaxială) au fost determinate conform EN60745:	Vibrāciju kopējās vērtības (triaksiālā vektoru summa) tiek noteiktas atbilstoši EN60745:	Bendros vibracijos vertės (triišio vektoriaus suma) nustatomos pagal EN60745:	Vibratsiooni koguväärtused (kolme suuna vektorisumma) on vastavalt standardile EN 60745 määratud järgmiselt:
Úroveň emisí vibrací	Vibráció-kibocsátás értéke	Valoarea emisiilor de vibrații	Vibrāciju emisijas vērtība	Vibrācijas emisijas vērtē	Vibratsiooniemiisiooni väärtus
Nejistota K	Bizonytalanság K	Incertitudine K	kļūdas vērtība K	Nepastovumas K	Mõõtemääramatus K





Dansk	Svenska	Suomi	Norsk	Русский	Polski	
Produktspecifikationer	Produktspecifikationer	Tuotteen tekniset tiedot	Produktspesifikasjoner	Характеристики изделия	Parametry techniczne	
Målte lydverdier bestemt iht. EN 60745:	Uppmåttade ljudvärden enligt EN 60745:	Mitatut arvot määritetty EN 60745: standardin mukaan:	Målte lydverdier bestemt iht. EN 60745:	Измеренные значения параметров звука определенных в соответствии с EN 60745:	Zmierzone wartości akustyczne zgodnie z normą EN 60745:	
A-vægtet lydtryksniveau	A-vågd lydtryksnivå	A-painotettu äänenpainetaso	A-vektet lydtryknivå	Уровень А-взвешенного звукового давления	A-ważony poziom ciśnienia hałasu	$L_{pA} = 95,5 \text{ dB(A)}$
Usikkerhed K	Osäkerhet K	Epätarkkuus K	Usikkerhet K	Разброс K	Niepewność pomiaru K	3 dB
A-vægtet lydeffektniveau	A-vågd ljudeffektnivå	A-painotettu äänenteho	A-vektet lydeffektnivå	Уровень А-взвешенной звуковой мощности	A-ważony poziom natężenia hałasu	$L_{WA} = 106,5 \text{ dB(A)}$
Usikkerhed K	Osäkerhet K	epätarkkuus K	Usikkerhet K	Разброс K	Niepewność pomiaru K	3 dB
Bær høreværn.	Bär hörselskydd.	Käytä korvasuojia.	Bruk hørselsvern.	Используйте наушники!	Stosować środki ochrony słuchu!	
Totale vibrationsværdier (triaksial vektorsum) afgøres ifølge EN60745:	Det totala vibrationsvärdet (triaxial vektorsumma) är framtaget enligt EN60745:	Tärinän kokonaisarvot (kolmiakselinen vektorisumma) määritettyä standardin EN60745 mukaisesti:	De totale vibrasjonsverdiene (treaksret vektorsum) er fastsatt i henhold til EN60745:	суммарное значение вибрации (сумма векторов по трем координатным осям) определено в соответствии со стандартом EN60745:	Wartości sumaryczne drgań (suma wektora trójosiowego) określone zgodnie z normą EN60745:	
Vibrationsemissionsværdi	Vibrationsvärde	Tärinäarvo	Verdier for vibrasjonsutslipp	Значение вибрации	Poziom drgań	$a_h = 2,4 \text{ m/s}^2$
Usikkerhed K	Osäkerhet K	epätarkkuus K	Usikkerhet K	Разброс K	Niepewność pomiaru K	1,5 m/s ²



Hrvatski	Slovensko	Slovenčina	България	українська мова	Türkçe	Ελληνικά	
Specifikacije proizvoda	Specifikacije izdelka	Špecifikácie produktu	Технически характеристики	Технічні характеристики продукту	Ürün Özellikleri	Προδιαγραφές Προϊόντος	
Mjerna vrijednost zvuka određena je prema EN 60745:	Izmerjene zvočne vrednosti določene v skladu s standardom EN 60745:	Nameraný hodnoty určené podľa EN 60745:	Измерените стойности на звука са определени в съответствие с EN 60745:	Вимірні значення шуму визначаються відповідно до EN 60745:	EN 60745: e göre hesaplanmış ses değerleri:	Μετρημένες τιμές ήχου σύμφωνα με το EN 60745:	
Ponderirana razina tlaka zvuka	A-izmerjena raven zvočnega tlaka	Vážená A hladina akustického tlaku	Ниво на шумово налягане с равнище А	А-зважений рівень звукового тиску	A ağırlıklı ses basınç seviyesi	Α-σταθμισμένο επίπεδο πίεσης ήχου	$L_{pA} = 95,5 \text{ dB(A)}$
neodređenost K	nedoloč. K	odchýlka K	Променливост (K)	Невизначеність K	Belirsizlik K	Αβεβαιότητα K	3 dB
Ponderirana razina zvučne snage	A-izmerjena raven zvočne moči	Vážená A hladina akustického výkonu	Ниво на силата на шума с равнище А	А-зважений рівень звукової потужності	A ağırlıklı ses gücü seviyesi	Α-σταθμισμένο επίπεδο έντασης ήχου	$L_{WA} = 106,5 \text{ dB(A)}$
neodređenost K	nedoloč. K	odchýlka K	Променливост (K)	Різнуча здатність	Belirsizlik K	Αβεβαιότητα K	3 dB
Nosite štitnike za uši.	Nosite ščitnike za ušesa.	Používajte chrániče sluchu.	Носете антифони	Носіть захисні навушники.	Kulak koruyucu kullanın.	Φοράτε ωτοασπίδες.	
Ponderirana energetska vrijednost Ukupne vrijednosti vibracija (troosovinski vektorski zbroj) određuju se u skladu s EN60745:	Skupna vrednost vibracij (triaksialna vektorska vsota) določena v skladu z EN60745:	Celkové hodnoty vibrácií (priestorový vektorový súčet) určuje norma EN60745:	Общата стойност на вибрациите (триосна векторна сума) е определена в съответствие с EN 60745:	Загальне значення вібрацій (триаксіальна векторна сума) визначається відповідно до EN 60745:	EN 60745 normuna uygun olarak belirlenmiş titreşim toplam değerleri (üçeksenli vektör toplamı):	Συνολικές αξίες κραδασμών (τριαξονικό διαυσοματικό άθροισμα) σύμφωνα με EN60745:	
Vrijednost emisija vibracije	Vrednost emisij vibracij	Hodnota emisíí vibrácií	Стойност на вибрационните емисии	Значення вібраційної емісії	Titreşim emisyon değeri	Τιμή εκπομπών κραδασμών	$a_h = 2,4 \text{ m/s}^2$
Neodređenost K	Nedoloč. K	Odchýlka K	Променливост (K)	Невизначеність K	Belirsizlik K	Αβεβαιότητα K	1,5 m/s ²





English	Français	Deutsch	Español	Italiano	Nederlands	Português
Battery and charger	Batterie et chargeur	Akku und Ladegerät	Batería y cargador	Batteria e caricatore	Accu en lader	Bateria e carregador
Compatible battery pack (not included)	Pack batterie compatible (non compris)	Kompatible Akkus (nicht im Lieferumfang enthalten)	Packs de Batería compatibles (no incluido)	Gruppo batterie compatibili (non incluso)	Compatibel accupack (niet inbegrepen)	Baterias compatíveis (não incluída)
Lithium-Ion	Lithium-Ion	Lithium-Ionen	Ión-litio	Ioni di litio	Lithium-ion	Ião-Lítio
Compatible charger (not included)	Chargeur compatible (non compris)	Kompatibles Ladegerät (nicht im Lieferumfang enthalten)	Cargador compatible (no incluido)	Caricatore compatibile (non incluso)	Compatibele oplader (niet inbegrepen)	Carregador compatível (não incluída)



Čeština	Magyar	Română	Latviski	Lietuviškai	Eesti
Baterie a nabíječka	Akkumulátor és töltő	Baterie și încărcător	Akumulators un lādētājs	Baterija ir įkroviklis	Aku ja laadija
Kompatibilní akumulátor (nepřibalen)	Kompatibilis akkumulátor (nem tartozék)	Acumulatori compatibili (neinclus)	Saderīgu akumulatoru komplekts (nav kompl.)	Suderinamas baterijos paketas (nepridedama)	Ühilduvad akupaketid (ei ole komplektis)
Lithium iontový akumulátor	Litiumion	Litiu-ion	Litija-jonu	Litis-jonas	Liitiumioon
Kompatibilní nabíječka (nepřibalen)	Kompatibilis töltő (nem tartozék)	Încărcător compatibil (neinclus)	Saderīgs lādētājs (nav kompl.)	Tinkamas įkroviklis (nepridedama)	Kasutatav laadija (ei ole komplektis)





Dansk	Svenska	Suomi	Norsk	Русский	Polski	
Batteri og oplader	Batteri och laddare	Akku ja laturi	Batteri og lader	Батарея и зарядное устройство	Akumulator i ładowarka	
Kompatibelt batteri (medfølger ikke)	Kompatibelt batteripack (inte inkluderat)	Yhteensopiva akku (ei mukana)	Kompatible batteripakker (ikke inkludert)	Совместимая аккумуляторная батарея (не входит в комплект поставки)	Passujące akumulatory (nie dołączona)	
Lithium-ion	Litiumjon	Litiumioni	Litium-Ion	Литий-ионная аккумуляторная батарея	Li-Ion	RB18L13 RB18L15 RB18L20 RB18L25 RB18L40 RB18L50
Kompatibel oplader (medfølger ikke)	Passande laddare (inte inkluderat)	Yhteensopiva laturi (ei mukana)	Kompatibel lader (ikke inkludert)	Совместимое зарядное устройство (не входит в комплект поставки)	Odpowiednia ładowarka (nie dołączona)	BCS618 BCL14181H BCL14183H RC18150 RC18627 RC18115 RC18120 RC18118C



Hrvatski	Slovensko	Slovenčina	България	українська мова	Türkçe	Ελληνικά	
Baterija i punjač	Baterija in polnilnik	Akumulátor a nabijačka	Батерия и зарядно устройство	Акумулятор і зарядний пристрій	Batarya ve şarj aleti	Μπαταρία και φορτιστής	
Kompatibilno pakiranje baterija (nije uključeno)	Združljive baterije (ni priložen)	Kompatibilná jednotka akumulátorov (nie je súčasťou balenia)	Съвместима акумулаторна батерия (не е включена в комплекта)	Сумісний акумулятор (не входить в комплект)	Uyumlu pil takımı (dahil değildir)	Συμβατή μπαταρία (δεν περιλαμβάνεται)	
Litij-ion	Litij-ionska	Litium-iónová	Литиево-ионна	Літій-іонний	Lityum-lyon	Λιθίου-Ιόντων	RB18L13 RB18L15 RB18L20 RB18L25 RB18L40 RB18L50
Kompatibilni punjač (nije uključeno)	Združljiv polnilec (ni priložen)	Kompatibilná nabijačka (nie je súčasťou balenia)	Съвместимо зарядно устройство (не е включено в комплекта)	Сумісний зарядний пристрій (не входить в комплект)	Uyumlu şarj cihazı (dahil değildir)	Συμβατός φορτιστής (δεν περιλαμβάνεται)	BCS618 BCL14181H BCL14183H RC18150 RC18627 RC18115 RC18120 RC18118C



EN WARNING

The vibration emission level given in this information sheet has been measured in accordance with a standardised test given in EN 60745 and may be used to compare one tool with another. It may be used for a preliminary assessment of exposure. The declared vibration emission level represents the main applications of the tool. However if the tool is used for different applications, with different accessories or poorly maintained, the vibration emission may differ. This may significantly increase the exposure level over the total working period.

An estimation of the level of exposure to vibration should also take into account the times when the tool is switched off or when it is running but not actually doing the job. This may significantly reduce the exposure level over the total working period. Identify additional safety measures to protect the operator from the effects of vibration such as: maintain the tool and the accessories, keep the hands warm, organisation of work patterns.

FR AVERTISSEMENT

Le niveau d'émission des vibrations indiqué dans cette feuille d'information a été mesuré en concordance avec un test normalisé fourni par EN60745 et peut être utilisé pour comparer un outil à un autre. Il peut être utilisé pour une évaluation préliminaire de l'exposition. Le niveau déclaré d'émission des vibrations s'applique à l'utilisation principale de l'outil. Toutefois, si l'outil est utilisé pour des applications différentes, avec des accessoires différents, ou mal entretenu, l'émission de vibrations peut être différente. Le niveau d'exposition peut en être augmenté de façon significative tout au long de la période de travail.

Une estimation du niveau d'exposition aux vibrations doit aussi prendre en compte les périodes où l'outil est arrêté ainsi que les périodes où il fonctionne sans vraiment travailler. Le niveau d'exposition pendant la durée totale du travail peut en être réduit de façon significative. Prenez en considération les mesures additionnelles de sécurité à prendre pour protéger l'opérateur des effets des vibrations telles que: maintien de l'outil et de ses accessoires, maintien des mains au chaud, organisation du travail.

DE WARNUNG

Der in diesem Informationsblatt genannte Schwingungspegel wurde entsprechend dem standardisierten Test von EN60745 gemessen und kann benutzt werden um das Werkzeug mit anderen zu vergleichen. Er kann benutzt werden, um eine vorausgehende Einschätzung der Exposition durchzuführen. Der genannte Schwingungspegel repräsentiert den Haupteinsatzbereich des Werkzeugs. Jedoch kann das Werkzeug für verschiedene Einsatzbereiche benutzt werden. Mit unterschiedlichen Zusatzgeräten oder bei schlechter Wartung kann der Schwingungspegel unterschiedlich sein. Dadurch kann die Expositionshöhe über die gesamte Arbeitszeit signifikant erhöht werden. Eine Einschätzung der Exposition zu Schwingungen sollte auch die Zeiten wenn das Werkzeug ausgeschaltet ist, oder wenn es angeschaltet aber nicht in Betrieb ist, in Betracht ziehen. Dadurch kann die Expositionshöhe über die gesamte Arbeitszeit signifikant reduziert werden. Identifizieren Sie zusätzliche Sicherheitsmaßnahmen um die Bedienungsperson vor den Effekten der Schwingungen zu schützen, wie zum Beispiel: Das Werkzeug und Zusatzgeräte warten, Hände warmhalten und Organisation der Arbeitszeiten.

ES ADVERTENCIA

El nivel de emisión de las vibraciones que figura en esta hoja de información se ha medido según una prueba estandarizada que figura en EN60745 y puede ser utilizado para comparar una herramienta con otra. Puede ser utilizado para una evaluación preliminar de la exposición. El nivel de emisión de las vibraciones declarado representa las principales aplicaciones de la herramienta. No obstante, si la herramienta se utiliza para diferentes aplicaciones, con diferentes accesorios o no recibe el mantenimiento adecuado, la emisión de las vibraciones puede ser diferente. Esto puede aumentar significativamente el nivel de exposición durante el periodo de trabajo total.

Una estimación del nivel de exposición a la vibración también debe tener en cuenta el tiempo en el que la herramienta está desconectada o cuando está conectada pero no está realizando ningún trabajo. Esto puede reducir significativamente el nivel de exposición durante el periodo de trabajo total. Identificar las medidas de seguridad adicionales para proteger al operador de los efectos de las vibraciones, tales como: mantenimiento de la herramienta y de los accesorios, y la organización de los patrones de trabajo.

IT AVVERTENZE

Il livello di vibrazioni indicato in questo foglio informativo è stato misurato seguendo un test svolto secondo i requisiti indicati dallo standard EN60745 e potrà essere utilizzato per paragonare un utensile con un altro. Potrà essere utilizzato per una valutazione preliminare dell'esposizione a vibrazioni. Il livello dichiarato di emissioni di vibrazioni viene indicato tenendo conto delle applicazioni principali dell'utensile. Comunque se l'utensile viene utilizzato per applicazioni diverse con accessori diversi o non viene correttamente conservato, il livello delle vibrazioni potrà variare. Ciò potrà significativamente aumentare il livello di esposizione alle vibrazioni durante il periodo di lavoro totale.

Una valutazione del livello di esposizione alle vibrazioni dovrà inoltre prendere in considerazione i tempi in cui l'utensile viene spento o è acceso ma non viene utilizzato. Ciò potrà significativamente ridurre il livello di esposizione in un periodo totale di funzionamento. Ulteriori misure di sicurezza per proteggere l'operatore dagli effetti delle vibrazioni come: conservare correttamente l'utensile e i suoi accessori, tenere le mani calde e organizzare i tempi di lavoro.

NL WAARSCHUWING

Het trillingsemissieniveau dat op dit informatieblad wordt gegeven, is gemeten in overeenstemming met een gestandaardiseerde test, vastgelegd in EN60745 en mag worden gebruikt om machines met elkaar te vergelijken. Het verklaarde trillingsemissieniveau geeft de hoofdtoepassing van het gereedschap weer. Als de machine echter voor andere toepassingen of met andere accessoires wordt gebruikt of slecht wordt onderhouden, kan de trillingsemissie verschillen. Dit kan de blootstelling gedurende de gehele werkduur aanzienlijk verhogen.

Bij een schatting van het niveau van blootstelling aan trillingen moet ook rekening worden gehouden met het aantal keren dat de machine wordt uitgeschakeld of draait, maar niet wordt gebruikt. Dit kan het niveau van blootstelling gedurende de gehele werkduur aanzienlijk verlagen. Stel bijkomende veiligheidsmaatregelen op om de gebruiker tegen de gevolgen van trillingen te beschermen: zoals onderhoud het gereedschap en de accessoires, houd de handen warm, de organisatie van werktijden.

PT AVISO

O nível de emissão de vibrações fornecido nesta folha de informações foi medido em conformidade com o teste uniformizado descrito em EN60745 e pode ser usado para comparar uma ferramenta com outra. Este pode ser usado para uma avaliação preliminar da exposição. O nível de emissão de vibração declarado refere-se à aplicação principal da ferramenta. Contudo, se a ferramenta for usada para aplicações diferentes, com acessórios diferentes ou não for devidamente mantida, a emissão de vibrações pode diferir. Isto pode fazer aumentar significativamente o nível de exposição ao longo do período de trabalho total.

Uma estimativa do nível de exposição às vibrações deve ter, também, em consideração o tempo durante o qual a ferramenta está desligada ou em que está ligada mas não está a realizar qualquer trabalho. Isto pode reduzir significativamente o nível de exposição durante o período total de trabalho. Identifique medidas adicionais de segurança que protejam o operário dos efeitos da vibração como a manutenção da ferramenta e dos acessórios, a manutenção das mãos quentes e a organização de padrões de trabalho.

DA ADVARSEL

Det angivne niveau for vibrationsemission på denne oplysningsside er blevet målt iht. en standardtest ifølge EN60745 og kan bruges til at sammenligne værktøjer indbyrdes. Det kan bruges til en foreløbig eksponeringsvurdering. Det opgivne niveau for vibrationsemission gælder, når værktøjet bruges til sit hovedformål. Men hvis værktøjet bruges til andre formål, med forskelligt eller med dårligt vedligeholdelse ekstraudstyr, kan vibrationsemissionen variere. Dette kan medføre en betragtelig stigning i eksponeringsniveauet set over hele arbejdsperioden.

Et skøn over niveauet for vibrationseksponering bør også tage højde for de perioder, hvor værktøjet er slukket, eller hvor det er tændt uden faktisk at være i brug. Dette kan medføre en betragtelig reduktion i eksponeringsniveauet set over hele arbejdsperioden. Træf ekstra sikkerhedsforanstaltninger til beskyttelse af operatøren mod virkningerne fra vibrationen som fx: vedligeholdelse værktøj og ekstraudstyr, holde hænderne varme, organisere arbejdsmonstre.

SV VARNING

Vibrationsnivåerna som uppges i det här dokumentet har uppmäts i enlighet med ett standardiserat test som beskrivs i EN60745 och som kan användas för att jämföra verktyg. Det kan användas som en preliminär bedömning av den vibration som användaren utsätts för. De deklarerade vibrationsvärdena motsvarar de som uppstår när verktyget används i sitt huvudsyfte. Om verktyget används i andra syften, med andra tillbehör eller om verktyget är dåligt underhållet kan vibrationsnivåerna vara annorlunda. Det kan kraftigt öka vibrationsnivåerna över den totala arbetsperioden.

En uppskattning av vibrationsnivåerna som användaren utsätts för ska också ta hänsyn till de stunder då verktyget är avstängt och när det går på tomgång. Detta kan kraftigt minska vibrationsnivåerna över den totala arbetsperioden. Andra säkerhetsåtgärder som kan skydda användaren från effekterna av vibrationer är: underhållning av verktyget och tillbehören, hålla händerna varma och organisera arbetssättet.

FI VAROITUS

Tämän tiedotteen tärinätsa on mitattu EN60745-standardien mukaisilla testeillä, ja niitä voidaan käyttää verrattaessa laitteita toiseen. Sitä voidaan käyttää arvioitaessa tärinävaikutusta. Ilmoitettu tärinätsa vastaa laitteen pääasiallista käyttötarkoitusta. Jos laitetta kuitenkin käytetään muuhun tarkoitukseen, muilla lisälaitteilla tai huonosti huollettuna, tärinätsa saattaa poiketa ilmoitetusta arvosta. Tämä voi kasvattaa kokonaisaltistumista huomattavasti koko työjakson kuluessa.

Tärinän altistumistasoa arvioitaessa tulee huomioida ajat, jolloin laite on sammutettu tai kun se on käynnissä, mutta sitä ei käytetä varsinaiseen työskentelyyn. Tämä voi vähentää kokonaisaltistumista huomattavasti koko työjakson kuluessa. Käytä muitakin suojauskeinoja turvatakseen käyttäjän tärinävaikutukselta, kuten: huolla laite ja lisälaitteet, pidä kätesi lämpiminä, organisoi työkuukulu.

NO ADVARSEL

Vibrasjonsnivået som oppgis på dette informasjonsarket er målt i henhold til en standardisert test gitt i EN60745 og kan brukes til å sammenligne ett verkøy med et annet. Det kan brukes til en foreløpig vurdering av eksponering. Det erklærte vibrasjonsnivået representerer hovedanvendelsen for verkøyet. Dersom verkøyet brukes for andre anvendelser, med forskjellig tilbehør eller med dårlig vedlikehold, vil vibrasjonsnivået kunne være annerledes. Det kan gi en betydelig økning av eksponeringsnivået over den totale arbeidsperioden. En beregning av nivået for eksponering til vibrasjoner må også ta hensyn til den tiden verkøyet er slått av eller er i gang men ikke i faktisk bruk for å utføre den tiltenkte oppgaven. Dette kan gi en betydelig økning av eksponeringsnivået over den totale arbeidsperioden. Identifiser ytterligere sikkerhetstiltak for å beskytte den som bruker verkøyet fra virkningen av vibrasjoner, tiltak som: Vedlikehold verkøyet og tilbehøret, hold hendene varme, organiser arbeidsmetodene.

RU ОСТОРОЖНО!

Уровень вибрации, приведенный в данном справочном листе, измерен согласно стандартизованным испытаниям, определенным в EN60745 и может использоваться для сравнения различных инструментов. Значение уровня может использоваться для предварительной оценки влияния вибрации. Заявленный уровень вибрации действителен для основного применения инструмента. Однако, если инструмент используется для других целей, с другими приспособлениями, или плохо обслуживается, уровень вибрации может отличаться от указанного. Это может значительно увеличить величину воздействия за общее время работы.

При оценке уровня воздействия вибрации следует также принять во внимание время простоя и холостой ход (когда инструмент выключен и когда включен, но работа не производится). Эти факторы могут значительно уменьшить величину воздействия вибрации за общее время работы. Определите дополнительные меры безопасности, защищающие работающего от влияния вибрации: техническое обслуживание инструмента и принадлежностей, недопущение охлаждения рук, соответствующие приемы и распорядок работы.

PL OSTRZEŻENIE

Deklarowany poziom drgań został zmierzony za pomocą standardowej metody pomiaru określonej normą EN60745 i jego wyniki mogą służyć do porównywania tego urządzenia z innymi. Deklarowana wartość drgań może służyć do wstępnej oceny narażenia operatora na drgania. Deklarowany poziom drgań dotyczy podstawowych zastosowań urządzenia. Jednak w przypadku użycia urządzenia do innych zastosowań, z innymi przystawkami lub w przypadku niewłaściwego stanu technicznego urządzenia poziom drgań może odbiegać od deklarowanego. Może być to przyczyną zwiększenia stopnia narażenia operatora na drgania w całym okresie wykonywania pracy. Podczas oceny narażenia na drgania należy również uwzględnić czas wyłączenia urządzenia oraz czas, w którym urządzenie jest włączone, jednak praca nie jest wykonywana. Czas te mogą znacznie zmniejszyć stopień narażenia operatora na drgania w całym okresie wykonywania pracy. Należy określić dodatkowe środki ochrony operatora przed skutkami drgań, przykładowo: dbać o stan techniczny urządzenia i przystawek, dbać o zachowanie ciepłoty dłoni, odpowiednio zorganizować harmonogram wykonywania prac.

CS VAROVÁNÍ

Hodnota vibračních emisí uvedená v tomto informačním listu byla naměřena standardizovaným testem podle EN60745 a ji použít k porovnání s hodnotami jiných nástrojů. Může se používat k předběžnému odhadu vystavování vibracím. Uznaná hodnota vibračních emisí reprezentuje hlavní použití nástroje. Nicméně pokud se nástroj používá pro jiné použití, s různými doplňky nebo se nedostatečně neudržuje, mohou se vibrační emise lišit. Toto může výrazně zvýšit úroveň vystavení nad celkové pracovní období.

Odhad úrovně vystavení vibracím by měl vzít taktéž v potaz časy, kdy je chvění vypnuté, nebo když přístroj běží, ale nevykonává práci. Toto může výrazně snížit úroveň vystavení nad celkové pracovní období. Určete doplňující bezpečnostní opatření pro ochranu obsluhy před různými vibracemi, například: Udržujte nástroj a doplňky, udržujte ruce v teple, organizujte pracovní schéma.

HU FIGYELMEZTETÉS

A vibráció-kibocsátás adatlapon megadott értéke az EN60745 által meghatározott szabványosított mérési eljárás szerint lett megmértve, amely lehetővé teszi a különböző szerszámok összehasonlítását. Használható a kitettség előzetes felmérésére is. A nyilatkozatban szereplő kibocsátási érték a szerszám főbb alkalmazási területeire vonatkozik. Ugyanakkor, ha a szerszámot más alkalmazásokra, más kiegészítővel használják vagy rosszul tartják karban, a vibráció-kibocsátás értéke ettől eltérő is lehet. Ez jelentősen növelheti a kitettség szintjét a gép teljes használati időtartama során.

A vibrációnak való kitettség szintjének becslésekor figyelembe kell venni azokat az időintervallumokat is, amikor a szerszám ki van kapcsolva, vagy működik, de nem végeznek munkát vele. Ez jelentősen csökkentheti a kitettség szintjét a gép teljes használati időtartama során. Tegyén további ösztönzésekdedéseket a kezelő vibrációval szembeni megvédése érdekében: tartsa karban a szerszámot és a tartozékokat, tartsa melegen a kezét, tervezze meg a munkafolyamatot.

RO AVERTISMENT

Nivelul emisiilor de vibrații prezentat în cadrul acestei fișe cu informații a fost măsurat în conformitate cu un test standardizat furnizat în EN60745 și poate fi folosit la a compara o unealtă cu o alta. Poate fi folosit la a evalua preliminară a expunerii. Nivelul declarat al emisiilor de vibrații reprezintă aplicațiile principale ale unelei. Cu toate acestea, în cazul în care unealta este utilizată pentru aplicații diferite, cu accesorii diferite sau întreținute necorespunzător, emisiile de vibrații pot diferi. Acestea pot crește semnificativ nivelul de expunere pe întreaga perioadă de lucru.

O estimare a nivelului de expunere la vibrații trebuie, de asemenea, să țină cont de dațile în care unealta este oprită sau de dațile în care aceasta funcționează fără a efectua propriu-zis sarcina de lucru. Acestea pot reduce semnificativ nivelul de expunere pe întreaga perioadă de lucru. Identificați măsurile de siguranță suplimentare pentru a proteja operatorul de efectele vibrațiilor, precum: întreținerea unelei și a accesoriilor, păstrarea mâinilor calde, organizarea de modele de lucru.



LV BRĪDINĀJUMS

Šajā datu lapā dotā vibrāciju emisijas vērtība ir mērīta saskaņā ar standartizēto testu, kas dots EN60745 un kuru var izmantot, lai salīdzinātu vienu instrumentu ar citu. To var izmantot aptuvenam ekspozīcijas novērtējumam. Deklarētais vibrāciju emisijas līmenis atbilst galvenajiem instrumenta pielietojumiem. Tomēr, ja instrumentu lieto citiem pielietojumiem, ar citiem piederumiem vai tas tiek slikti apkopts, vibrāciju emisijas vērtība var atšķirties. Tas var ievērojami palielināt ekspozīcijas līmeni visā darba periodā. Vibrāciju ekspozīcijas līmeņa novērtējumam jāņem vērā laiks, kad instrumenti ir izslēgti vai ir ieslēgti, bet nevis nekādu darbu. Tas var ievērojami samazināt ekspozīcijas līmeni visā darba periodā. Identificējiet papildu drošības pasākumus, lai aizsargātu operatoru no vibrācijas iedarbības, piemēram, veiciet instrumenta un piederumu apkopi, turiet rokas siltas un pieļaujiet darba grafiku.

LT ĮSPĖJIMAS

Šiame lape nurodytas vibracijos emisijos lygis buvo išmatuotas pagal standartinį testą, aprašytą EN60745, ir gali būti naudojamas vieno įrankio su kitu palyginimui. Jis gali būti naudojamas preliminariam pavojaus įvertinimui. Deklaruotais vibracijos emisijos lygis priskiriamas pagrindinėms įrankio taikymo sritims. Tačiau, jei įrankis naudojamas kitiems tikslams, su kitokiais priedais ar įrankis prastai prižiūrimas, vibracijos emisija gali skirtis. Per visą darbo laikotarpį tai gali žymiai padidinti vibracijos keliamą pavojų. Nustatant vibracijos keliamą pavojų taip pat būtina atsižvelgti į tai, kiek kartų įrankis yra išjungtas ar kai jis veikia, bet juo iš tikrųjų nedirbama. Per visą darbo laikotarpį tai gali žymiai sumažinti vibracijos keliamą pavojų. Naudokite papildomas apsaugos priemones dirbančiam asmeniui apsaugoti nuo vibracijos poveikio, pvz.: prižiūrėti įrankį ir jo priedus, rankas laikyti šiltai, organizuoti darbo sesijas.

ET HOIATUS

Sellel infolehel esitatud vibratsioonisemas väärtus on mõõdetud standardis EN60745 kirjeldatud katsemeetodiga ja seda võib kasutada tööriistade omavaheliseks võrdlemiseks. Seda võib kasutada vibratsioonisemjõu eelhindamiseks. Deklareeritud vibratsioonisemas väärtus kehtib tööriista tavakasutamisel. Kui aga kasutate tööriista muudeks kasutusotstarveteks, eriotstarbeliste tarvikutega või kui tööriist on puudulikult hooldatud, siis võib vibratsiooniväärtus erineda. Sellistel juhtudel võib tööperioodi summaarne vibratsiooniväärtus suureneda märgatavalt.

Vibratsiooniväärtuse taset tuleb arvesse võtta ka sel ajal, kui tööriist on välja lülitatud või kui tööriist pöörleb, kuid ei tee tööoperatsiooni. Sellistel juhtudel võib tööperioodi ajal summaarne vibratsioonitas väheneda märgatavalt. Määrake kindlaks täiendavad ohutusmeetmed, et kaitsa operaatrit vibratsioonimõjude eest – tööriistade ja tarvikute hooldamine, käte soojas hoidmine ja töövahetuste organiseerimine.

HR UPOZORENJE

Razina vrijednosti vibracija data u ovoj tablici s informacijama mjerenja je sukladno normiranom testu pruzenom u EN60745 i može se koristiti za usporedbu jednog alata s drugim. Može se koristiti u početnom usklađivanju izloženosti. Objavljena razina vrijednosti vibracija predstavlja glavnu primjenu alata. Međutim, ako se alat koristi za druge primjene, s različitim dodatnim priborom ili je slabo održavan, vrijednost vibracija može se razlikovati. Ovo može značajno povećati razinu izloženosti tijekom ukupnog radnog razdoblja. U procjeni razine izloženosti na vibraciju također treba uzeti u obzir vrijeme kada je alat isključen ili kada je pokrenut no ne i stvarno vrijeme rada. Ovo može značajno smanjiti razinu izloženosti tijekom ukupnog radnog razdoblja. Odredite dodatne sigurnosne mjere za zaštitu operatera od učinka vibracije poput: održavanje alata i pribora, održavanje toplih ruku, organizacija obraza za rad.

SL OPOZORILO

Nivo emisij vibracij, naveden v tem informacijskem listu, je bil izmerjen v skladu s standardiziranim testom, ki je podan v EN60745, podatek pa se lahko uporablja za primerjavo enega orodja z drugim. Uporablja se ga lahko za predhodno oceno izpostavljenosti. Naveden nivo emisij vibracij predstavlja glavne uporabe orodja. Vendar, če se orodje uporablja v druge namene in z različnimi nastavki oz. če je orodje slabo vzdrževano, se lahko emisije vibracij razlikujejo. To lahko občutno poveča nivo izpostavljenosti v skupnem delovnem času.

Ocena nivoja izpostavljenosti vibracijam bi morala prav tako upoštevati, koliko krat je orodje bilo izključeno ali je v delovanju in pravzaprav ne opravlja svojega dela. To lahko občutno zmanjša nivo izpostavljenosti v skupnem delovnem času. Upoštevajte dodatne varnostne ukrepe, da bi upravljalca zaščitili pred vplivom vibracij, kot je: vzdržuje orodje in nastavke, pazite, da so roke tople, organizirajte delovne vzorce.

SK VAROVANIE

Úroveň emisie vibrácií, uvedená v tomto informačnom hárku bola nameraná v súlade so šandardizovaným testom, daným normou EN60745 a môže sa použiť na porovnanie jedného nástroja s druhým. Môže sa použiť na predbežné určenie miery vystavenia sa vibráciám. Uvedená úroveň emisie vibrácií predstavuje hlavné aplikácie nástroja. Avšak keď sa nástroj používa na iné aplikácie, s rôznym príslušenstvom alebo má zlú údržbu, úroveň vibrácií sa môže líšiť. Týmto sa môže výrazne zvýšiť úroveň vystavenia sa vibráciám počas celkového času práce.

Odhad úrovne vystavenia sa vibráciám by sa mal brať tiež do úvahy, vždy, keď sa nástroj vypne, alebo potom, keď beží ale v skutočnosti sa nevykonáva práca. Týmto sa môže výrazne znížiť úroveň vystavenia sa vibráciám počas celkového času práce. Nasledovné doplnujúce bezpečnostné opatrenia pomáhajú chrániť operátora od účinkov vibrácií: údržba nástroja a príslušenstva, udržiavanie teplých držiadiel, organizácia práce.

BG ВНИМАНИЕ

Посоченото в тези инструкции ниво на вибрациите е измерено в съответствие със стандартизиран в EN 60745 измервателен метод и може да се използва за сравнение на електрическите инструменти помежду им. Подходящ е и за временна оценка на вибрационното натоварване. Посоченото ниво на вибрациите представя основните приложения на електрическия инструмент. Ако обаче електрическият инструмент се използва с друго предназначение, с различни сменяеми инструменти или при недостатъчна техническа поддръжка, нивото на вибрациите може да е различно. Това чувствително може да увеличи вибрационното натоварване по време на целия работен цикъл.

За точната оценка на вибрационното натоварване трябва да се вземат предвид и периодите от време, в които уредът е изключен или работи, но в действителност не се използва. Това чувствително може да намали вибрационното натоварване по време на целия работен цикъл. Определете допълнителни мерки по техника на безопасност в защита на обслужващия работник от въздействието на вибрациите като например: техническа поддръжка на електрическия инструмент и сменяемите инструменти, поддръжка на ръцете топли, организация на работния цикъл.

UK ПОПЕРЕДЖЕННЯ

Рівень вібрації, зазначений у цьому інформаційному листку, був розрахований відповідно зі стандартизованими випробуваннями, наведеними в EN 60745 і може використовуватися для порівняння одного інструмента з іншим. Він може бути використаний для попередньої оцінки впливу. Зазначений рівень вібрації представляє основні застосування інструменту. Тим не менш, якщо інструмент використовується для різних додатків, з різними аксесуарями і недоглянутий, рівень вібрації може відрізнятись. Це може значно підвищити рівень впливу протягом усього робочого періоду. При оцінюванні рівня впливу вібрації необхідно також враховувати час, коли інструмент вимкнений або коли він працює, але насправді не виконує ніякої роботи. Це може значно зменшити рівень впливу протягом усього робочого періоду. Для захисту оператора від впливу вібрації, визначте додаткові заходи безпеки, такі як: ретельнийгляд за інструментом і приладами, тримання рук в теплі, і організація схеми роботи.



TR UYARI

Bu bilgi sayfasında verilen titreşim emisyon seviyesi, EN60745 standardında belirtilen standartlaştırılmış bir teste uygun olarak ölçülmüş ve bir aleti diğeriyle karşılaştırmak için kullanılabilir. Ön maruz kalma tespiti için kullanılabilir. Beyan edilen titreşim emisyon seviyesi aletin asıl uygulamalarını temsil etmektedir. Ancak alet, farklı aksesuarlarla veya yetersiz bakımlı olarak farklı uygulamalar için kullanılırsa titreşim emisyonu değişebilir. Bu durum toplam çalışma süresi boyunca maruz kalma seviyesini önemli ölçüde artırır. Titreşime maruz kalma seviyesinin değerlendirilmesi aynı zamanda alet kapalı ve ardından çalışır ancak gerçek anlamda iş yapmadığı zamanlar da göz önünde bulundurulmalıdır. Bu durum toplam çalışma süresi boyunca maruz kalma seviyesini önemli ölçüde azaltır. Operatörü titreşimin etkilerinden korumak için ilave güvenlik önlemleri belirleyin, örneğin: aletin ve aksesuarlarının bakımını yapmak, operatörün ellerini sıcak tutmak, çalışma modellerini organize etmek.

EL ΠΡΟΕΙΔΟΠΟΙΗΣΗ

Τα επίπεδα εκπομπών κραδασμών που παρέχονται στο παρόν ενημερωτικό φυλλάδιο, έχουν μετρηθεί βάσει τυποποιημένης δοκιμής που προβλέπεται στο EN60745 και μπορούν να συγκριθούν για τη σύγκριση του εργαλείου με άλλα. Μπορούν επίσης να χρησιμοποιηθούν για προκαταρκτική αξιολόγηση της έκθεσης. Τα δηλωμένα επίπεδα εκπομπών κραδασμών αφορούν τις βασικές εφαρμογές του εργαλείου. Ωστόσο, αν το εργαλείο χρησιμοποιείται για διαφορετικές εφαρμογές, με διαφορετικά εξαρτήματα ή με κακή συντήρηση, η εκπομπή κραδασμών μπορεί να διαφέρει. Αυτό μπορεί να αυξήσει σημαντικά το επίπεδο έκθεσης στη συνολική περίοδο εργασίας.

Η εκτίμηση των επιπέδων έκθεσης σε κραδασμούς θα πρέπει επίσης να λαμβάνει υπόψη τις χρονικές περιόδους κατά τις οποίες το εργαλείο είναι απενεργοποιημένο ή λειτουργεί χωρίς να χρησιμοποιείται σε συγκεκριμένη εργασία. Αυτό μπορεί να μειώσει σημαντικά το επίπεδο έκθεσης στη συνολική περίοδο εργασίας. Εφαρμόστε επιπρόσθετα μέτρα ασφαλείας για την προστασία του χειριστή από τις επιπτώσεις των κραδασμών, όπως τα εξής: συντηρείτε το εργαλείο και τα εξαρτήματα, διατηρείτε τα χέρια ζεστά, οργανώστε μετρίως εργασία.

EN RYOBI® WARRANTY APPLICATION CONDITIONS

In addition to any statutory rights resulting from the purchase, this product is covered by a warranty as stated below.

1. The warranty period is 24 months for consumers and commences on the date the product was purchased. This date has to be documented by an invoice or other proof of purchase. The product is designed and dedicated to consumer and private use only. So there is no warranty provided in case of professional or commercial use. This warranty applies only on new products.
2. There is a possibility to extend for a part of the range of power tools (AC/DC) the warranty period over the period described above using the registration on the www.ryobitools.eu website. The eligibility of products for extended warranty is clearly displayed in stores and / or on packaging and is contained within the product documentation. The end user is required to register his/her newly-acquired products online within 30 days from the date of purchase. The end user may register for the extended warranty in his/her country of residence if listed on the online registration form where this option is valid. Furthermore, end users must give their consent to the storage of their personal data that is required to be entered online. They must also accept the terms and conditions. The registration confirmation receipt, which is sent out by e-mail, and the original invoice showing the date of purchase will serve as proof of the extended warranty.
3. The warranty covers all defects of the product during the warranty period due to faults in workmanship or material at the purchase date. The warranty is limited to repair and/or replacement and does not include any other obligations including but not limited to incidental or consequential damages. The warranty is not valid if the product has been misused, used contrary to the instruction manual, or has been incorrectly connected to a power supply. This warranty does not apply to:
 - any damage to the product that is the result of improper or lack of maintenance
 - any product that has been altered or modified
 - any product where original identification (trade mark, serial number) markings have been defaced, altered or removed
 - any damage caused by non-observance of the instruction manual
 - any product not displaying the CE approval mark on the rating plate
 - any product that has been attempted to be repaired by a non-authorized warranty service centre or without prior authorisation by Techtronic Industries
 - any product connected to improper power supply (amps, voltage, frequency)
 - any damage caused by external influences (water, chemical, physical, shocks) or foreign substances
 - normal wear and tear spare parts
 - inappropriate use, overloading of the tool
 - use of non-approved accessories or parts
 - Power tool accessories provided with the tool or purchased separately, including but not limited to screw driver bits, drill bits, abrasive discs, sand paper and blades, lateral guide, etc.
 - Components (parts and accessories) subject to natural wear and tear, including but not limited to service & maintenance kits, carbon brushes, bearings, chuck, SDS drill bit attachment or reception, power cord, auxiliary handle, transport carry case, sanding plate, dust bag, dust exhaust tube, felt washers, impact wrench pins & springs, etc.
4. For servicing, the product must be sent or presented to a RYOBI authorised service station listed for each country in the following list of service station addresses. In some countries your local RYOBI dealer undertakes to send the product to the RYOBI service organisation. When sending a product to a RYOBI service station, the product should be safely packed without any dangerous contents such as petrol, marked with sender's address and accompanied by a short description of the fault.
5. A repair / replacement under this warranty is free of charge. It does not constitute an extension or a new start of the warranty period. Exchanged parts or products become our property. In some countries delivery charges or postage will have to be paid by the sender. Your statutory rights arising from the purchase of the product remain unaffected.
6. This warranty is valid in the European Community, Switzerland, Iceland, Norway, Liechtenstein, Turkey and Russia. Outside these areas, please contact your authorised RYOBI dealer to determine if another warranty applies.

AUTHORISED SERVICE CENTRE

To find an authorised service centre near you, visit <http://en.ryobitools.eu/header/service-and-support/service-agents>

FR RYOBI® CONDITIONS D'APPLICATION DE LA GARANTIE

En plus des droits statutaires liés à l'achat, ce produit est couvert par une garantie telle que décrite ci-dessous.

1. La durée de la garantie accordée au consommateur est de 24 mois à partir de la date d'achat. Cette date doit être authentifiée par une facture ou toute autre preuve d'achat. Le produit a été conçu en vue d'une utilisation strictement privée. Aucune garantie ne s'applique donc en cas d'utilisation professionnelle ou commerciale.
2. Il existe pour une partie de la gamme d'outils électroportatifs (AC/DC), une possibilité d'étendre la période de garantie au-delà de la période précédemment décrite en utilisant le formulaire d'enregistrement présent sur le site Internet www.ryobitools.eu. L'éligibilité d'un outil est clairement affichée dans les points de vente et/ou sur l'emballage et la documentation. L'utilisateur final doit enregistrer son/ses outil(s) nouvellement acheté(s) en ligne dans les 30 jours qui suivent la date d'achat. L'utilisateur a la possibilité de s'enregistrer pour l'extension de garantie dans son pays de résidence si celui-ci est listé dans le formulaire d'enregistrement en ligne où cette option est valide. L'utilisateur final doit donner son consentement pour l'enregistrement des données requises pour accéder au site et doit accepter les termes et conditions. La confirmation d'enregistrement, envoyée par courrier électronique, ainsi que la facture originale mentionnant la date d'achat serviront de preuve de l'extension de garantie.
3. La garantie couvre pendant la période de garantie les défauts des produits liés à la fabrication et aux matériaux à la date d'achat. La garantie est limitée à la réparation et/ou au remplacement et n'inclut aucune autre obligation, tel que, mais sans s'y limiter, les dommages accessoires ou indirects. La garantie est non valable en cas de mauvaise utilisation du produit, d'utilisation contraire aux instructions du mode d'emploi, ou en cas de branchement incorrect. Cette garantie ne s'applique pas pour :
 - tout dommage au produit résultant d'un mauvais entretien
 - tout produit ayant été altéré ou modifié
 - tout produit dont les marquages originaux d'identification (marque, numéro de série) ont été dégradés, altérés ou retirés
 - tout dommage causé par le non-respect des instructions du mode d'emploi
 - tout produit non CE
 - tout produit ayant subi une tentative de réparation par du personnel non qualifié ou sans autorisation préalable de Techtronic Industries
 - tout produit raccordé à une alimentation secteur non conforme (ampérage, voltage, fréquence)
 - tout dommage causé par des influences extérieures (chimiques, physiques, chocs) ou par des substances étrangères
 - l'usure normale des pièces consommables
 - une utilisation inappropriée, une surcharge de l'outil
 - l'utilisation de pièces ou accessoires non agréés
 - accessoires de l'outil électrique fournis avec l'outil ou achetés séparément. Cela comprend notamment les embouts de vissage, les forets de perçuse, les disques abrasifs, le papier de verre et les lames, le guide latéral
 - Les composants (pièces et accessoires) sujets à l'usure naturelle, ceci incluant notamment les mandrins, les charbons, adaptateurs SDS, les cordons d'alimentation, les poignées auxiliaires, les mallettes de transport, les plateaux de ponçage, les sacs collecteurs de poussière, les tubes d'extraction de poussière, les carrés de clé à choc, etc.
4. Si le produit doit être réparé, envoyez-le à un service après-vente agréé RYOBI dont vous trouverez ci-dessous la liste par chaque pays. Dans certains pays, votre revendeur RYOBI se chargera d'envoyer le produit à un centre de réparation RYOBI. Lorsque vous envoyez un produit à un service après-vente RYOBI, celui-ci doit être correctement emballé, sans contenir aucun produit dangereux tel que de l'essence, et vous devez indiquer votre adresse ainsi qu'une courte description du problème.
5. Une réparation / un remplacement sous garantie est gratuit(e). Ceci ne constituera pas une extension de garantie ni un nouveau départ de la période de garantie. Les pièces ou les outils remplacés deviennent notre propriété. Dans certains pays, les frais de port devant être assumés par l'expéditeur. Vos droits statutaires restent inchangés.
6. Cette garantie est valable au sein de l'Europe, de la Suisse, de l'Islande, de la Norvège, du Liechtenstein, de la Turquie, de la Russie. En dehors de ces zones, veuillez contacter votre distributeur agréé RYOBI pour déterminer si une autre garantie s'applique.

SERVICE APRÈS-VENTE AGRÉÉ

Pour trouver le service après-vente agréé le plus proche, rendez-vous sur <http://fr.ryobitools.eu/header/service-and-support/service-agents>.

DE RYOBI® GARANTIEBEDINGUNGEN

Zusätzlich zu den gesetzlichen Rechten aus dem Kauf gilt für dieses Produkt die nachstehend aufgeführte Garantie.

- Der Garantiezeitraum beträgt für Verbraucher 24 Monate und beginnt mit dem Datum des Kaufs. Dieses Datum muss durch eine Rechnung oder einen anderen Kaufbeleg dokumentiert werden. Dieses Produkt wurde ausschließlich zur privaten Nutzung durch Verbraucher entwickelt. Für den Fall einer professionellen bzw. kommerziellen Nutzung besteht daher keine Garantie.
- Es besteht die Möglichkeit, für einen Teil des Sortiments der Elektrogeräte (AC/DC) den Garantiezeitraum über den oben genannten Zeitraum hinaus zu verlängern, indem der Verbraucher die Registrierung auf der Website www.ryobitools.eu durchführt. Die Berechtigung der Werkzeuge für die Garantieverlängerung ist deutlich im Geschäft und/oder auf der Verpackung beschrieben und in der Produktdokumentation erwähnt. Der Verbraucher muss das neu erworbenes Gerät online innerhalb von 30 Tagen ab dem Kaufdatum registrieren. Der Verbraucher kann das Gerät zwecks Garantieverlängerung in seinem Wohnsitzland/Heimatland registrieren, wenn dieses Land auf dem Online-Registrierungsformular aufgeführt und die Option gültig ist. Darüber hinaus muss der Verbraucher seine Zustimmung zur Speicherung der Daten geben, die online eingegeben werden müssen, und er muss die allgemeinen Geschäftsbedingungen akzeptieren. Die Bestätigung der Registrierung, die per E-Mail versandt wird, und die Originalrechnung mit dem Kaufdatum gelten als Beleg für die Garantieverlängerung.
- Die Garantie deckt alle Defekte des Geräts während des Garantiezeitraums ab, die auf zum Zeitpunkt des Kaufs bestehende Verarbeitungs- oder Materialfehler zurückzuführen sind. Die Garantie beschränkt sich auf Reparatur und/oder Ersatz und beinhaltet keine anderen Verpflichtungen, insbesondere keinen Schadenersatz für Folge- oder Nebenschäden. Die Garantie gilt nicht, wenn das Gerät fehlerhaft eingesetzt wurde, gegensätzlich zur Bedienungsanleitung eingesetzt wurde oder falsch angeschlossen wurde. Die Garantie gilt nicht für Folgendes:
 - Schäden am Gerät, die auf unkorrekte Wartung zurückzuführen sind
 - Geräte, an denen Veränderungen vorgenommen wurden
 - Produkte, bei denen die ursprüngliche Identifizierung (Handelsmarke, Seriennummer) unleserlich gemacht, verändert oder entfernt wurde
 - Schäden durch Nichtbeachtung der Bedienungsanleitung
 - nicht-CE-zertifizierte Geräte
 - Geräte, an denen durch nicht-qualifizierte Personen oder ohne vorherige Genehmigung von Techntron Industries Reparaturversuche vorgenommen wurden
 - Geräte, die an unkorrekte Energiequellen (Ampere, Volt, Frequenz) angeschlossen wurden
 - Schäden durch äußere Einflüsse (chemisch, physisch, Stoffe) oder Fremdstoffe
 - normaler Verschleiß von Ersatzteilen
 - unangemessene Nutzung, Überlastung des Geräts
 - Nutzung nicht genehmigter Zubehörteile oder Ersatzteile
 - mit dem Gerät gelieferte oder separat erworbene Zubehörteile. Dieser Ausschluss beinhaltet, ist aber nicht beschränkt auf Schraubendreher-Bits, Bohrsensätze, Schleifscheiben, Sandpapier und Klingen, Seitenführungen
 - Komponenten (Ersatzteile und Zubehörteile), die natürlichen und normalen Verschleißerscheinungen unterworfen sind, einschließlich aber nicht beschränkt auf: Service- und Wartungssätze, Kohlebürsten, Lager, Spannfutter, SDS-Bohreraufnahme /Bit-Adapter, Netzkabel, Zusatzhandgriff, Transportkoffer, Schleifteller, Staubbeutel, Staubabsaugrohr, Filzunterlegscheiben, Bolzen und Federn von Schlagschraubern usw.
- Zum Service muss das Gerät zu einer von RYOBI autorisierten Servicestation gebracht oder dorthin gesendet werden. Die Servicestationen für die einzelnen Länder sind in der folgenden Liste aufgeführt. In einigen Ländern sendet Ihr RYOBI-Händler vor Ort das Gerät an das RYOBI-Serviceunternehmen. Beim Einsenden an die RYOBI-Servicestation sollte das Gerät sicher verpackt sein, ohne gefährliche Inhalte wie Benzin, und es sollte mit der Adresse des Absenders und einer kurzen Beschreibung des Fehlers versehen sein.
- Eine Reparatur bzw. ein Ersatz gemäß dieser Garantie ist kostenlos. Hieraus ergibt sich weder eine Garantieverlängerung noch der Beginn eines neuen Garantiezeitraums. Die ausgetauschten Ersatzteile oder Werkzeuge gehen in unser Eigentum über. In einigen Ländern müssen die Zustellgebühren oder die Versandkosten vom Absender gezahlt werden. Ihre gesetzlichen Rechte aus dem Kauf des Geräts bleiben hiervon unberührt.
- Diese Garantie gilt in der Europäischen Union, der Schweiz, Island, Norwegen, Lichtenstein, der Türkei und Russland. Bitte wenden Sie sich außerhalb dieser Gebiete an Ihren autorisierten RYOBI-Händler, um festzustellen, ob eine andere Garantie gilt.

AUTORISIERTER KUNDENDIENST

Besuchen Sie <http://de.ryobitools.eu/header/service-and-support/service-agents>, um einen autorisierten Kundendienst in Ihrer Nähe zu finden.

ES CONDICIONES DE APLICACIÓN DE LA GARANTÍA DE RYOBI®

Además de cualquier derecho legal derivado de la compra, este producto está cubierto por una garantía que se indica a continuación.

- El periodo de garantía es de 24 meses para consumidores y comienza en la fecha en que se comprara el producto. Dicha fecha debe documentarse con una factura u otro comprobante de compra. El producto está diseñado y concebido únicamente para el uso privado del consumidor. Por lo tanto, no se ofrece garantía en caso de uso profesional o comercial.
- Existe la posibilidad de ampliar el periodo de garantía respecto a una parte de la gama de herramientas eléctricas (CA/CC) durante el periodo descrito más arriba y mediante el registro en el sitio web www.ryobitools.eu. La elegibilidad de las herramientas para que se amplíe el periodo de garantía se muestra claramente en las tiendas o en el embalaje y está incluida en la documentación del producto. El usuario final tiene que registrar en línea sus herramientas recientemente adquiridas en un plazo de 30 días a partir de la fecha de compra. El usuario final podrá registrarse para obtener la garantía ampliada en su país de residencia si este aparece en la lista del formulario de registro en línea cuando esta opción sea válida. Además, los usuarios finales deberán dar su consentimiento al almacenamiento de los datos necesarios para el acceso en línea y tienen que aceptar los términos y condiciones. El recibo de confirmación de registro, que se envía por correo electrónico, y la factura original que muestra la fecha de compra servirán como comprobante para la garantía ampliada.
- La garantía cubre todos los defectos del producto durante el periodo de garantía debido a fallos de mano de obra o material en la fecha de compra. La garantía se limita a la reparación o sustitución y no incluye ninguna otra obligación como, por ejemplo, daños accidentales o consecuentes. La garantía no es válida si se ha usado mal el producto, se ha usado contraviniendo el manual de instrucciones o se ha conectado de forma incorrecta. Esta garantía no es aplicable a:
 - ningún daño en el producto que sea consecuencia de un mantenimiento inadecuado
 - ningún producto que haya sido alterado o modificado
 - ningún producto en el que los marcados de identificación originales (marca comercial, número de serie) se hayan borrado, modificado o eliminado
 - ningún daño provocado por no seguir el manual de instrucciones
 - ningún producto que no sea CE
 - ningún producto que haya sufrido un intento de reparación por parte de un profesional no cualificado o sin la autorización previa de Techntron Industries.
 - ningún producto conectado a un suministro eléctrico inadecuado (amperios, voltaje, frecuencia)
 - ningún daño causado por influencias externas (químicas, físicas, impactos) o sustancias extrañas
 - desgaste normal de piezas de repuesto
 - uso inadecuado, sobrecarga de la herramienta
 - uso de accesorios o piezas no aprobados
 - Accesorios de herramientas eléctricas proporcionados con la herramienta o comprados por separado. Tales exclusiones incluyen, entre otros, brocas de destornilladores, brocas de taladro, discos abrasivos, papel de lija y cuchillas, y guías laterales
 - Componentes (piezas y accesorios) sujetos a un desgaste natural, que incluyen, entre otros, equipos de servicio y mantenimiento, escobillas de carbono, cojinetes, pinzas, accesorio o recepción de broca de taladro SDS, cable eléctrico, manillar auxiliar, bolsa de transporte, hoja lijadora, bolsa de polvo, tubo de escape de polvo, disco de filtro, pasadores y resortes de llave de impacto, etc.
- Para su mantenimiento, el producto debe enviarse o presentarse a una estación de servicio de RYOBI autorizada que figure en la siguiente lista de direcciones de estaciones de servicio por países. En algunos países, su distribuidor RYOBI local se responsabiliza de enviar el producto a la compañía de servicio de RYOBI. Cuando se envíe un producto a una estación de servicio de RYOBI, este debe estar empaquetado de forma segura sin contenidos peligrosos como gasolina, marcado con la dirección del remitente y acompañado de una breve descripción del fallo.
- Una reparación / sustitución con esta garantía es gratuita. No constituye una ampliación ni un nuevo comienzo del periodo de garantía. Las piezas o herramientas intercambiadas pasan a ser de nuestra propiedad. En algunos países, los gastos de envío o correo tendrá que pagarlos el remitente. Sus derechos legales derivados de esta compra de la herramienta no se verán afectados.
- Esta garantía es válida en la Unión Europea, Suiza, Islandia, Noruega, Lichtenstein, Turquía y Rusia. Fuera de estas zonas, póngase en contacto con su distribuidor de RYOBI autorizado para determinar si es aplicable otra garantía.

SERVICIO TÉCNICO AUTORIZADO

Para encontrar el servicio técnico autorizado más cercano, visite <http://es.ryobitools.eu/header/service-and-support/service-agents>

IT CONDIZIONI DI VALIDITÀ DELLA GARANZIA RYOBI®

In aggiunta ai diritti di legge risultanti dall'acquisto, il prodotto è coperto dalla garanzia sotto descritta.

1. Il periodo di garanzia è di 24 mesi per i consumatori, a decorrere dalla data di acquisto del prodotto. La data deve essere documentata da una fattura o altra prova d'acquisto. Il prodotto è progettato e destinato solo all'utilizzo privato dei consumatori. Pertanto non viene fornita alcuna garanzia in caso di uso professionale o commerciale.
2. Per una serie di utensili elettrici (CA/CC) è possibile prolungare il periodo di garanzia oltre quello descritto, registrandosi sul sito web www.ryobitools.eu. Gli utensili per i quali è possibile prolungare il periodo di garanzia sono chiaramente indicati nei negozi e/o sulle confezioni e nella documentazione dei prodotti. L'utente deve registrare online l'utensile acquistato entro 30 giorni dalla data di acquisto. L'utente può registrarsi per la garanzia prolungata nel proprio paese di residenza, se questo è elencato nel modulo di registrazione online dove questa opzione sia valida. Inoltre gli utenti devono fornire il proprio consenso alla conservazione dei dati da immettere online e devono accettare le condizioni generali. La conferma di registrazione, inviata tramite e-mail, e la fattura originale indicante la data di acquisto, costituiranno la prova della garanzia prolungata.
3. La garanzia copre tutti i difetti del prodotto durante il periodo di garanzia, risultati da manodopera o materiali alla data di acquisto. La garanzia è limitata alla riparazione e/o sostituzione e non include alcun altro obbligo quali, a mero titolo esemplificativo, i danni incidentali o consequenziali. La garanzia non è valida se il prodotto è stato usato scorrettamente, in modo contrario al manuale di istruzioni o se è stato collegato in modo errato. La garanzia non è valida per:
 - qualsiasi danno al prodotto dovuto a manutenzione errata;
 - qualsiasi prodotto che sia stato alterato o modificato;
 - qualsiasi prodotto le cui marcature di identificazione originali (marchi di fabbrica, numero di serie) siano state cancellate, alterate o rimosse;
 - qualsiasi danno causato dalla non osservanza delle istruzioni del manuale;
 - qualsiasi prodotto privo di omologazione CE;
 - qualsiasi prodotto che sia stato sottoposto a un tentativo di riparazione da parte di un professionista non qualificato oppure senza la previa autorizzazione di Technronic Industries;
 - qualsiasi prodotto collegato a un'alimentazione errata (per ampere, tensione, frequenza);
 - qualsiasi danno causato da influenze esterne (chimiche, fisiche, urti) o sostanze estranee;
 - la normale usura delle parti di ricambio;
 - uso inappropriato, sovraccarico dell'utensile;
 - uso di accessori o parti non omologate;
 - accessori per utensili elettrici forniti con l'utensile o acquistati separatamente. Questa esclusione comprende, a mero titolo esemplificativo, punte per cacciaviti, punte per trapani, dischi abrasivi, carta vetrata, lame e guide laterali;
 - componenti (parti e accessori) soggetti alla normale usura compresi, a mero titolo esemplificativo, kit di servizio e manutenzione, spazzole al carbonio, cuscinetti, mandrini, attacchi per punte a vite autoporforante, cavi di alimentazione, maniglie ausiliarie, custodie di trasporto, piastre di levigatura, sacchetti per la polvere, tubi di scarico della polvere, rondelle di feltro, perni e molle per avvitatori ecc.
4. Per la manutenzione il prodotto dev'essere spedito o portato presso uno dei centri assistenza autorizzati RYOBI elencati per ogni paese nel seguente elenco di indirizzi dei centri. In alcuni paesi il rivenditore locale RYOBI si incarica di inviare il prodotto all'organizzazione di assistenza RYOBI. Quando si invia un prodotto a un centro assistenza RYOBI, imballarlo in modo sicuro senza contenuti pericolosi come la benzina, apporre l'indirizzo del mittente e accompagnarlo da una breve descrizione del guasto.
5. La riparazione/sostituzione ai sensi della presente garanzia è gratuita. Non costituisce un prolungamento o un nuovo inizio del periodo di garanzia. Le parti o gli utensili scambiati diventano di nostra proprietà. In alcuni paesi i costi di consegna o di spedizione postale devono essere pagati dal mittente. I diritti di legge derivanti dall'acquisto dell'utensile rimangono inalterati.
6. La presente garanzia è valida in Unione Europea, Svizzera, Islanda, Norvegia, Liechtenstein, Turchia e Russia. Al di fuori di tali aree contattare il rivenditore autorizzato RYOBI per sapere se è valida un'altra garanzia.

CENTRO SERVIZI AUTORIZZATO

Per individuare il più vicino centro servizi autorizzato, visitare il sito <http://it.ryobitools.eu/header/service-and-support/service-agents>.

NL RYOBI® GARANTIEVOORWAARDEN

Naast de wettelijke rechten die voortvloeien uit de aankoop, wordt dit product gedekt door een garantie, zoals hieronder staat vermeld.

1. De garantietermijn voor consumenten bedraagt 24 maanden en gaat in op de datum waarop het product is gekocht. Deze datum moet worden gedocumenteerd met een factuur of een ander aankoopbewijs. Het product is uitsluitend ontworpen en bedoeld voor persoonlijk gebruik door consumenten. Er wordt dus geen garantie gegeven voor professioneel of commercieel gebruik.
2. Voor een deel van ons aanbod van elektrische gereedschappen (AC/DC) is het mogelijk om de garantietermijn te verlengen over de boven beschreven termijn, met behulp van de website www.ryobitools.eu. De gereedschappen die in aanmerking komen voor de verlenging van de garantietermijn wordt duidelijk weergegeven in winkels en/of verpakkingen en staat beschreven in de productdocumentatie. De eindgebruiker moet zijn/haar nieuw gekochte gereedschappen binnen 30 dagen na aankoop online registreren. De eindgebruiker kan zich registreren voor de verlengde garantietermijn als zijn woonland staat vermeld op het online registratieformulier waar deze optie geldig is. Bovendien moeten eindgebruikers toestemming geven voor de opslag van de gegevens die online ingevuld moeten worden en moeten ze de algemene voorwaarden accepteren. Het ontvangstbewijs van de registratie, dat per e-mail wordt verzonden en de oorspronkelijke factuur met de aankoopdatum vormt het bewijs van de verlengde garantietermijn.
3. De garantie dekt tijdens de garantietermijn alle gebreken van het product vanwege defecten in vakmanschap of materiaal op de aankoopdatum. De garantie is beperkt tot reparatie en/of vervanging en bevat geen andere verplichtingen, waaronder maar niet beperkt tot incidentele of gevolgschade. De garantie is niet geldig als het product is misbruikt, in strijd met de gebruiksaanwijzing wordt gebruikt of onjuist is aangesloten. Deze garantie geldt niet voor:
 - alle schade aan het product die het gevolg is van onjuist onderhoud
 - elk product dat is veranderd of aangepast
 - elk product waar de oorspronkelijke identificatie (handelsmerk, serienummer) is beschadigd, gewijzigd of verwijderd
 - alle schade die is veroorzaakt door het niet opvolgen van de gebruiksaanwijzing
 - elk niet-CE-product
 - elk product waar een poging tot reparatie is gedaan door een niet-erkende professional of zonder voorafgaande toestemming door Technronic Industries.
 - elk product dat is verbonden met een verkeerde voeding (ampere, spanning, frequentie)
 - alle schade die is veroorzaakt door externe invloeden (chemisch, fysisch, schokken) of vreemde stoffen
 - normale slijtage van reserveonderdelen
 - ongepast gebruik, overbelasting van het gereedschap
 - gebruik van niet-goedgekeurde accessoires of onderdelen
 - gereedschapsaccessoires die bij het gereedschap worden geleverd of afzonderlijk zijn aangeschaft. Zulke uitzonderingen bevatten, maar niet beperkt tot schroevendraaierbits, boorbits, slijpschijven, schuurpapier en zagen, laterale geleiding
 - Componenten (onderdelen en accessoires) die onderhevig zijn aan natuurlijke slijtage, waaronder maar niet beperkt tot service- en onderhoudsets, koolstofborstels, lagers, boorkoppen, SDS boorbitbevestigingen of ontvangers, stroom snoeren, hulpgrepen, transporttassen, schuurplateaus, stofzakken, stofafvoerbuisen, vilttringen, pennen en veren van slagmoersleutels, etc.
4. Voor onderhoud moet het product worden verzonden of gebracht naar een erkend servicestation van RYOBI die voor elk land staat vermeld in de volgende lijst met adressen voor servicestations. In sommige landen zal uw lokale RYOBI-dealer het product verzenden naar de RYOBI-serviceorganisatie. Wanneer u het product naar een servicestation van RYOBI verzendt, moet het product veilig worden verpakt zonder enige gevaarlijke inhoud, zoals benzine, met het adres van de afzender en vergezeld van een korte beschrijving van het defect.
5. Een reparatie/vervanging die onder deze garantie valt is gratis. Het vormt geen verlenging of een nieuwe start van de garantietermijn. Verwisselde onderdelen of gereedschappen worden ons eigendom. In sommige landen moeten de verzendkosten door de afzender worden betaald. Uw wettelijke rechten die voortvloeien uit de aankoop van het gereedschap blijven onaangetast.
6. Deze garantie is geldig in de Europese Gemeenschap, Zwitserland, IJsland, Noorwegen, Liechtenstein, Turkije en Rusland. Buiten deze gebieden moet u contact opnemen met uw erkende RYOBI-dealer om vast te stellen of er een andere garantie van toepassing is.

GEAUTORISEERD ONDERHOUDSCENTRUM

Om een geautoriseerd onderhoudscentrum in uw buurt te vinden, surf u naar <http://nl.ryobitools.eu/header/service-and-support/service-agents>.

PT CONDIÇÕES DE APLICAÇÃO DA GARANTIA RYOBI®

Para além de quaisquer direitos previstos por lei resultantes da compra, este produto está coberto por uma garantia conforme descrição abaixo.

1. O período da garantia é de 24 meses para consumidores particulares e inicia-se na data de compra do produto. Esta data tem de ser documentada por uma factura ou por outra prova de compra. O produto foi concebido para e destina-se apenas a consumidores particulares e uso privado. Assim, não é dada garantia em caso de utilização por profissionais ou uso comercial.
2. Para uma parte da gama de ferramentas eléctricas (AC/DC) existe a possibilidade de prolongamento do período da garantia para além do período descrito acima, mediante registo no Web site www.ryobitools.eu. A elegibilidade das ferramentas para prolongamento do período da garantia é claramente visível nas lojas e/ou nas embalagens e está contida na documentação do produto. O utilizador final tem de fazer o registo online das suas ferramentas recém-adquiridas no prazo de 30 dias após a data de compra. O utilizador final pode fazer o registo para prolongamento da garantia no seu país de residência, desde que esteja listado no formulário de registo online e para os casos em que esta opção seja válida. Para além disso, os utilizadores finais têm de autorizar o armazenamento dos dados cujo preenchimento lhes for solicitado online e têm de aceitar os termos e as condições. O recibo de confirmação do registo é enviado por e-mail e, em conjunto com a factura original ostentando a data de compra, servirá de prova do prolongamento da garantia.
3. A garantia cobre todos os defeitos do produto durante o período da garantia devidos a defeitos de fabrico ou de material à data da compra. A garantia está limitada à reparação e/ou substituição e não inclui quaisquer outras obrigações, incluindo mas não se limitando a, perdas complementares ou indirectas. A garantia não é válida se o produto tiver sido utilizado incorrectamente, utilizado de forma contrária ao Manual de Instruções ou se as respectivas ligações tiverem sido feitas incorrectamente. Esta garantia não se aplica ao seguinte:
 - quaisquer danos ao produto que sejam resultado de manutenção incorrecta
 - qualquer produto que tenha sido alterado ou modificado
 - qualquer produto cujas marcações de identificação de origem (marca comercial, número de série) tiverem sido apagadas, alteradas ou retiradas
 - quaisquer danos causados pelo incumprimento do Manual de Instruções
 - qualquer produto que não seja da Comunidade Europeia
 - qualquer produto ao qual tenha sido feita, ou tentada fazer, uma reparação por outra pessoa que não um profissional habilitado ou sem autorização prévia da Techtronic Industries.
 - qualquer produto ligado a uma fonte de alimentação eléctrica incorrecta (Amperes, Voltagem e Frequência)
 - qualquer dano causado por influências externas (químicas, físicas, impactos) ou substâncias estranhas
 - desgaste e degradação normal de sobresselentes
 - utilização incorrecta, sobrecarga da ferramenta
 - utilização de acessórios ou peças não aprovados
 - acessórios para ferramentas eléctricas fornecidos com a ferramenta ou comprados em separado. Estas exclusões incluem mas não se limitam a, pontas de aparafusadora, brocas, discos abrasivos, papel de lixa e lâminas, guia lateral
 - Componentes (peças e acessórios) sujeitos a desgaste e degradação natural, incluindo mas não se limitando a, Kits de Assistência e Manutenção, escovas de carbono, rolamentos, bucha, acessórios ou recepções de brocas SDS, cabos eléctricos, peças auxiliares, estojos de transporte, placas de lixagem, sacos de poeiras, tubos de saída de poeiras, anilhas de feltro, pinos e molas da aparafusadora de impacto, etc.
4. Para assistência, o produto tem de ser enviado para, ou apresentado em, um posto de assistência autorizado RYOBI, conforme listado para cada país na lista de moradas de postos de assistência seguinte. Nalguns países, o seu concessionário RYOBI local encarrega-se de enviar o produto para a organização de assistência RYOBI. Quando enviar um produto para um posto de assistência RYOBI, o produto deve ser embalado de forma segura, sem conter nenhuns conteúdos perigosos (por exemplo, gasolina), marcado com o endereço do remetente e acompanhado por uma breve descrição da avaria.
5. Uma reparação/substituição ao abrigo desta garantia é gratuita. Não constitui um prolongamento a, nem um novo início de, o período da garantia. As peças ou ferramentas substituídas tornam-se propriedade nossa. Nalguns países, o remetente terá de pagar os custos de entrega ou a remessa postal. Os seus direitos previstos por lei resultantes da compra da ferramenta mantêm-se inalterados
6. Esta garantia é válida na Comunidade Europeia, Suíça, Islândia, Noruega, Liechtenstein, Turquia e Rússia. Fora destas áreas, entre em contacto com o seu concessionário autorizado RYOBI para determinar se existe outra garantia aplicável.

CENTRO DE ASSISTÊNCIA AUTORIZADO

Para encontrar um centro de assistência autorizado próximo de si, visite <http://pt.ryobitools.eu/header/service-and-support/service-agents>.

DA RYOBI® BETINGELSER FOR GARANTI

Udover lovbestemte rettigheder, som resulterer af købet, er dette produkt dækket af en garanti, som anført herunder.

1. Garantiperioden er 24 måneder for forbrugere og begynder på den dato, som produktet blev købt. Denne dato skal dokumenteres af en faktura eller andet bevis for køb. Produktet er udelukkende designet og dedikeret til forbrugere og privat brug. Så der ydes ingen garanti i tilfælde af professionel eller kommerciel brug.
2. Der er en mulighed for at forlænge garantiperioden for en del af udvalget af elværktøj (AC/DC), hen over den ovenfor beskrevne periode vha. registrering på hjemmesiden www.ryobitools.eu. Berettigelse af værktøjet til forlængelse af garantiperioden er tydeligt vist i butikker og/eller på emballage/og indeholdt i produktokumentationen. Slutbruger skal registrere hans/hendes nyligt indkøbte værktøj online indenfor 30 dage efter købsdatoen. Slutbruger kan registrere sig for den forlængede garanti i sit land, hvis han/hun er opført på den online registreringsformular, hvor denne mulighed er gyldig. Derudover skal slutbrugere give deres samtykke til at opbevare data, som er påkrævet at indtaste online, og de er nødt til at acceptere vilkår og betingelser. Registreringsbekræftelseskvitteringen, som sendes ud på e-mail, og den originale faktura, som viser købsdatoen, vil fungere som bevis for den forlængede garanti.
3. Garantien dækker alle defekter, som et produkt måtte have i løbet af garantiperioden, og som skyldes produktionsfejl eller materialfejl på købsdatoen. Garantien er begrænset til reparation og/eller udsiftning og inkluderer ikke andre forpligtelser, inklusiv men ikke begrænset til tilfældige skader eller følgeskader. Garantien er ugyldig, hvis produktet er blevet misbrugt, brugt uden at overholde vejledningen, eller det er blevet forkert tilsluttet. Denne garanti gælder ikke:
 - Beskadigelse af produktet, som er et resultat af uegnet vedligeholdelse
 - Et produkt der er blevet ændret eller modificeret
 - Et produkt hvor de originale identifikationsmærkninger (varemærke, serienummer) er blevet ødelagt, ændret eller fjernet
 - Enhver beskadigelse forårsaget af manglende overholdelse af vejledningen
 - Ethvert ikke CE-produkt
 - Ethvert produkt som er blevet forsøgt repareret af en ukvalificeret professionel eller uden tidligere autorisation af Techtronic Industries.
 - Ethvert produkt som er tilsluttet uegnet strømforsyning (ampere, spænding, frekvens)
 - Enhver skade forårsaget af ekstern påvirkning (kemisk, fysisk, chok) eller fremmedelementer
 - Normal slid på reservedele
 - Uegnet brug, overbelasting af værktøjet
 - Brug af ikke-godkendt tilbehør eller dele
 - Elværktøjstilbehør som leveres med værktøjet eller købes separat. Sådanne undertagelser inkluderer men er ikke begrænset til skruetrækkerbiter, bor, bits, silbeskiver, sandpapir og klinger, sideslyr
 - Komponenter (dele og tilbehør) som er udsat for naturligt slid og løsdelse, inklusiv men ikke begrænset til Service- og vedligeholdelses sæt, kulbørster, lejer, bøsninger, påsætning eller modtagelse af SDS-bor, El ledning, hjælpehåndtag, transporttaske, sandplade, støvpose, støvdugstødningslange, filtskiver, nåle og fedre slagngøle etc.
4. For eftersyn skal produktet sendes til eller præsenteres for en RYOBI- autoriseret service værksted, som er oplyst for hvert land i den følgende liste over service værksted adresser. I nogle lande påtager din lokale RYOBI-forhandler sig ansvaret for at sende produktet til RYOBI-serviceorganisationen. Når et produkt sendes til en RYOBI-service værksted, skal det pakkes sikkert ind uden noget farligt indhold som benzin, mærkes og af sædernes adresse og med en kort beskrivelse af fejlen.
5. En reparation/erstatning under denne garanti er gratis. Den udgør ikke en forlængelse eller en ny start på garantiperioden. Udvækslede dele eller værktøjer bliver vores ejendom. I nogle lande skal leveringsgiffter eller porto betales af afsenderen. Dine lovbestemte rettigheder i forbindelse med købet forbliver uanfægtede
6. Denne garanti gælder i EU, Schweiz, Island, Norge, Liechtenstein, Tyrkiet og Rusland. Udenfor disse områder bedes du kontakte din autoriserede RYOBI-forhandler for at afgøre, om en anden garanti gælder.

AUTORISEREDE SERVICEVÆRKSTEDER

Find nærmeste autoriserede serviceværksted på <http://dk.ryobitools.eu/header/service-and-support/service-agents>.

SV RYOBI® ANVÄNDNINGSVILLKOR FÖR GARANTI

Förutom eventuella lagstadgade rättigheter som uppstår genom köpet, täcks den här produkten av en garanti som anges nedan.

- Garantiperioden är 24 månader för konsumenter och börjar gälla från det datum då produkten köptes. Detta datum måste dokumenteras på en faktura eller annat köpbevis. Produkten är utformad och avsedd för konsumenter och privat bruk. Därmed tillhandahålls ingen garanti vid yrkesmässigt eller kommersiellt bruk.
- Det finns möjlighet att förlänga garantiperioden för en del av utbudet för elverktyg (AC/DC) under den period som anges ovan genom att använda registreringen på webbplatsen www.ryobitools.eu. De verktyg som är berättigade till en förlängning av garantiperioden visas tydligt i butiker och/eller på förpackningen/och anges i produktdokumentationen. Slut användaren behöver registrera hans/hennes nyförvärvade verktyg online inom 30 dagar från köpdatumet. Slut användaren kan registrera sig för den förlängda garantin i det land där han/hon bor om landet finns angivet i registreringsformuläret online och där detta alternativ är giltigt. Dessutom måste slut användaren ge sitt medgivande till lagring av data vilket krävs vid registrering online samt acceptera villkoren. Bekräftelsekvittot för registreringen som skickas ut via e-post och originalfakturan som visar köpdatumet kommer att gälla som bevis för den förlängda garantin.
- Garantin täcker alla produktdefekter under garantiperioden som beror på brister i utförande eller material vid köpdatumet. Garantin är begränsad gällande reparation och/eller utbyte och inkluderar inte några skyldigheter inklusive men inte begränsat till oförutsedda skador eller foljdskador. Garantin är inte giltig om produkten har missbrukats, använts i stånd med bruksanvisningen eller inte anslutits på rätt sätt. Denna garanti täcker inte:
 - eventuella skador på produkten som uppstått till följd av felaktigt underhåll
 - produkter som har ändrats eller modifierats
 - produkter där ursprungliga identifieringsmärkningarna (varumärke, serienummer) har målats över, ändrats eller tagits bort
 - eventuella skador som uppstått till följd av att bruksanvisningen inte efterföljts
 - alla icke CE-produkter
 - eventuella produkter som har försökts repareras av en icke-kvalificerad yrkesman eller utan föregående medgivande från Techtronik Industries.
 - eventuella produkter som anslutits till felaktig strömförsörjning (ampere, volt, frekvens)
 - eventuella skador som uppstått till följd av yttre påverkan (kemisk, fysisk, stötar) eller främmande ämnen
 - normalt slitage av reservdelar
 - olämplig användning, överbelastning av verktyget
 - användningen av icke-godkända tillbehör eller delar
 - tillbehör till elverktyg som medföljde verktyget eller köpts separat. Sådana undantag inkluderar men är inte begränsat till skruvsjelsbits, borrbit, slipskivor, sandpapper, blad och sidoskena
 - Komponenter (delar och tillbehör) är föremål för naturligt slitage, inklusive men inte begränsat till service- och underhållsatsar, kolborstar, kullager, chuck, tillbehör eller tillhörande SDS-borrbitt, strömsladd, hjälphandtag, transportåska, slipplatta, dammpåse, dammtubslåsör, filterbrick, stift och fjädrar till mutterdragare osv.
- Vid service måste produkten skickas eller uppvisas för en RYOBI- auktoriserad servicestation som står angiven för varje land i följande adresslista över servicestationer. I vissa länder tar din lokala RYOBI- återförsäljare på sig ansvaret att skicka produkten till RYOBI- serviceorganisationen. När en produkt skickas till en RYOBI-servicestation, ska produkten paketeras säkert utan något färligt innehåll såsom bensin, markeras med avsändarens adress samt en kort beskrivning av felet.
- En reparation/ett utbyte under denna garanti är kostnadsfri. Det utgör inte en förlängning eller förnyelse av garantiperioden. Utbyta delar eller verktyg blir vår egendom. I vissa länder måste leveranskostnader eller porto betalas av avsändaren. Dina lagstadgade rättigheter som härrör från köpet av verktyget förblir opåverkade
- Denna garanti är giltig i Europeiska gemenskapen: Schweiz, Island, Norge, Liechtenstein, Turkiet och Ryssland. Utanför dessa länder, kontakta din auktoriserade RYOBI-återförsäljare för att avgöra om en annan garanti gäller.

AUKTORISERAT SERVICECENTER

Du hittar närmaste auktoriserade servicecenter genom att gå till <http://se.ryobitools.eu/header/service-and-support/service-agents>.

FI RYOBI®-TAKUUN SOVELTAMISEHDOT

Tällä tuotteella on oston luomien lakisääteisten oikeuksien ohella alla mainittu mukainen takuu.

- Takuun kesto on kuluttajille 24 kuukautta ja takuuaika alkaa tuotteen ostohetkestä. Tämän päivämäärän tulee lukea laskussa tai muussa ostotositteessa. Tuote on suunniteltu ja tarkoitettu vain kuluttajien ja yksityiseen käyttöön. Takuu ei siis kata ammatti- eikä kaupallista käyttöä.
- Joidenkin sähkötyökalujen (AC/DC) takuun kesto on mahdollista laajentaa yllä mainittua kestoa pidemmäksi verkkoystävösten www.ryobitools.eu rekisteröinnin kautta. Työkalujen kepoisuus takuujakson laajennukseen näkyy selkeästi myymälöissä ja/tai pakkauksissa ja/tai tämä tieto sisältyy tuotedokumentaationa. Loppukäyttäjän täytyy rekisteröidä vasta hankittu työkalu internetissä 30 päivän kuluessa ostopäivämäärästä. Loppukäyttäjä voi rekisteröidä laajennettua takuun kotimaassaan, jos se on luetteluna online-rekisteröintilomakkeessa, jossa mainitaan, missä tämä vaihtoehto on voimassa. Loppukäyttäjien täytyy lisäksi hyväksyä tietojen tallennus, jotka heidän täytyy antaa online-tilassa sekä ehdot. Rekisteröinnin vahvistuskuitit, jotka lähetetään sähköpostitse, ja alkuperäinen ostopäivämäärän ilmaiseva lasku toimivat laajennettua takuun toistena.
- Takuu kattaa kaikki tuotteen teknologian tulevat viat, joiden aiheuttajina ovat tuotteessa ostopäivänä olleet valmistus- tai materiaaliviat. Takuu on rajoitettu korjaukseen ja/tai vaihtoon eikä se sisällä mitään muita velvoitteita mukaan lukien satunnais- ja seuranaisvahinkoja, mutta rajoittumatta niihin. Takuu ei päde, jos tuotetta on käytetty väärin, käyttöohjeeseen vastaisesti tai jos se on liitetty virheellisesti. Tämä takuu ei kata:
 - virheellisesti huollostua joutuvia vaurioita
 - muunnettua tai muutettua tuotetta
 - tuotetta, jonka alkuperäiset tunnistemerkinnät (tavaramerkki, sarjanumero) on turmeltu, muutettu tai poistettu
 - tämän käyttöoppaan laiminlyönnistä joutuvia vaurioita
 - ei-CE-tuotetta
 - tuotetta, jota on yrittänyt korjata epäpätevä ammattilainen tai joka on korjattu ilman Techtronik Industriesin ennakkolupa.
 - tuotetta, joka on liitetty virheelliseen teholahteeseen (ampeirit, jännite, taajuus)
 - ulkoisten vaikutusten (kemiallinen, fyysinen, iskut) tai vieraiden aineiden aiheuttamaa vauriota
 - normaaleja kuluvia varaosia
 - virheellisiä käyttöä, työkalun ylikuormitusta
 - ei-hyväksytyjen tarvikkeiden tai osien käyttöä
 - sähkötyökalun tarvikkeita, jotka on toimitettu työkalun mukana tai ostettu erikseen. Poissuljettuja osia ovat ruuvauksiterät, poranterät, hiomalaikat, hiokkappaperi ja terät, sivuohjain, näihin kuitteinaan rajoittumatta
 - Luonnollisesti kuluvia komponentteja (osia tai tarvikkeita), joihin sisältyvät huolto- ja kunnossapitoseit, hiiliharjat, laakerit, terästäkät, SDS-porian kiinnitin tai istukka, virtajohto, apukahva, kuljetuskotelo, hiomalaikka, pölypussi, pölynpoistoputki, huopatuftit, iskuruuvantimen pulitit ja jouset yms. näihin kuitteinaan rajoittumatta.
- Tuote on lähetettävä huollettavaksi valituttuun RYOBI-huoltoon tai näyteltävä siellä. Niiden osoitteet kussakin maassa löytyvät seuraavasta luettelosta. Joissakin maissa paikallinen RYOBI-jällemyyjä huolehtii tuotteen lähetyksestä RYOBI-huolto-organisaatioon. Kun tuote lähetetään RYOBI-huoltoon, se täytyy pakata hyvin ilman vaarallisia aineita, kuten polttoainetta, ja pakkaukseen täytyy merkitä lähettäjän nimi sekä vian lyhyt kuvaus.
- Takuun kattama korjaus/vaihto on maksuton. Se ei tarkoita takuuajan laajennusta tai alkamista alusta. Vaihdetut osat tai työkalut siirtyvät valmistajan omistukseen. Joissakin maissa lähettäjän täytyy maksaa lähetyskustannukset tai postikulut. Työkalun oston luomat lakisääteiset oikeudet pysyvät koskenattomina
- Tämä takuu on voimassa Euroopan yhteisössä, Sveitsissä, Islannissa, Norjassa, Liechtensteinissä, Turkissa ja Venäjällä. Osa näiden alueiden ulkopuolella yhteyttä oman valituttuun RYOBI-jällemyyjään ja selvitä, onko jollain muuta takuuta.

VALTUUTETTU HUOLTO

Voit etsiä lähimmän valituttuun huoltoon sivulta <http://fi.ryobitools.eu/header/service-and-support/service-agents>.

NO RYOBI® GARANTIBETINGELSER

I tillegg til eventuelle lovbestemte rettigheter som følger av kjøpet, er dette produktet dekket av en garanti som angitt nedenfor.

- Garantiperioden er 24 måneder for konsumenter og gjelder fra den datoen som produktet ble kjøpt. Denne datoen skal dokumenteres med en faktura eller annet kjøpsbevis. Produktet er designet og beregnet kun til konsument- og privat bruk. Så det gis ingen garanti ved profesjonell eller kommersiell bruk.
- For en del av utvalget av elektriske verktøy (AC/DC) er det muligst til å utvide garantiperioden i den perioden som er beskrevet ovenfor ved bruk av registreringer på nettsidene www.ryobitools.eu. Kvalifisering av verktøyene for en utvidelse av garantiperioden er tydelig vist i butikker og/eller på pakningen / og finnes innen produktdokumentasjonen. Slutbrukeren må registrere sine nylig anskaffede verktøy online innen 30 dager etter kjøpsdato. Slutbrukeren kan registrere seg for den utvidede garantien i sitt land hvis det er opplyst på online registreringsskjemaet der dette alternativet er gyldig. Videre må slutbrukere gi sitt samtykke til oppbevaring av dataene som kreves for å gå online, og de må godta vilkår og betingelser. Registreringsbekreftelsen, som sendes ut e-post, og den originale fakturaen som viser kjøpsdato, vil tjene som bevis for den utvidede garantien.
- Garantien dekker alle defekter i produktet under garantiperioden på grunn av defekter i utførelse eller materiale på kjøpsdato. Garantien er begrenset til å reparere og/eller erstatte og inkluderer ikke noen andre forpliktelser, inkludert, men ikke begrenset til, tilfældige eller følgesmessige skader. Garantien er ikke gyldig hvis produktet har blitt misbrukt, brukt på annen måte enn det som beskrives i bruksanvisningen eller er koblet til på feil måte. Denne garantien gjelder ikke for:
 - enhver skade på produktet som er resultat av utlirekkelig vedlikehold
 - ethvert produkt som har blitt endret eller modifisert
 - ethvert produkt der de originale identifiseringsmerkene (varemerke, serienummer) har blitt uleselig, er endret eller fjernet
 - enhver skade som forårsakes av ikke-overholdelse av instruksjonshåndboken
 - ethvert ikke-CE-produkt
 - ethvert produkt som har blitt forsøkt reparert eller av en ikke-kvalifisert fagperson eller uten tidligere autorisasjon fra Techronic Industries.
 - ethvert produkt tilkoblet feil strømforsyning (ampere, spenning, frekvens)
 - enhver skade som er forårsaket av eksterne påvirkninger (kjemiske, fysiske, støt) eller fremmede stoffer
 - normal slitasje og sliteservedeler
 - feil bruk, overbelastning av verktøyet
 - bruk av ikke-godkjent tilbehør eller deler
 - Elektrisk verktøytilbehør levert med verktøyet eller kjøpt separat. Slike ekskluderinger, inkludert, men ikke begrenset til skrutrekkerbits, drillbits, sliperdisker, sandpapper og blader, laterale foring
 - Komponenter (deler og tilbehør) som er utsatt for naturlig slitasje, inkludert, men ikke begrenset til service- og vedlikeholdssett, karbonbørster, lagre, chucks, SDS-borrbifeste eller -mottak, stråmledning, hjelpehåndtak, transportbæreevne, sandingsplate, støvpose, støvstøpslprør, filtpakninger, støtnøkkelplinner og fjær, osv.
- For service må produktet sendes eller fremlegges for en RYOBI-autorisert servicestasjon opplyst for hvert land i den følgende listen over servicestasjonsadresser. I noen land sender den lokale RYOBI-forhandleren produktet til RYOBI serviceorganisasjonen. Ved å sende et produkt til en RYOBI servicestasjon skal produktet være sikkert pakket uten noe farlig innhold, slik som bensin, merket med senderens adresse og fulgt av en kort beskrivelse av feilen.
- En reparasjon/erstatning under denne garantien er gratis. Den utgjør ingen forlengelse eller en ny start av garantiperioden. Utsvelede deler eller verktøy blir vår eiendom. I noen land vil leveringskostnader eller fraktering måtte betales av senderen. Dine lovbestemte rettigheter som oppstår fra kjøp av verktøyet forblir ubørøret.
- Denne garantien er gyldig i EU, Sveits, Island, Norge, Liechtenstein, Tyrkia og Russland. Utenfor disse områdene ta kontakt med din autoriserte RYOBI-forhandler om en annen garanti gjelder.

AUTORISERT SERVICECENTER

For å finne et autorisert servicecenter i nærheten, gå til <http://no.ryobitools.eu/header/service-and-support/service-agents>.

RU УСЛОВИЯ ПРИМЕНЕНИЯ ГАРАНТИИ НА ПРОДУКЦИЮ RYOBI®

Помимо законных прав, возникающих при покупке, данное изделие покрывается гарантией в соответствии с приведенными ниже пунктами.

- Гарантийный период для покупателя составляет 24 месяца с даты покупки изделия. Дата покупки должна быть подтверждена полностью заполненным гарантийным талоном и чеком о покупке. Данное изделие предназначено только для частного использования покупателем. Поэтому гарантия не распространяется на использование в профессиональных или коммерческих целях.
- Предусмотрена возможность продления для части изделий линейки электроинструментов (AC/DC) гарантийного периода с помощью регистрации на сайте www.ryobitools.eu. Право инструмента на продление гарантийного периода четко указано в магазинах и / или на упаковке / и содержится в сопутствующей инструменту документации. Конечный пользователь должен зарегистрировать свой приобретенный инструмент в течение 30 дней с даты покупки. Конечный пользователь может зарегистрировать свой инструмент на продление гарантии в стране своего проживания, если она указана в форме онлайн-регистрации. Кроме того, конечный пользователь должен дать свое согласие на хранение данных, которые необходимо ввести в онлайн-форму и принять правила и условия. Подтверждение регистрации, которое вы получите по электронной почте, заполненный гарантийный талон и оригинальный чек, в котором указана дата покупки будут служить доказательством продленной гарантии.
- Гарантия покрывает в течение гарантийного периода все дефекты качества или материала изделия на дату покупки. Гарантия ограничена ремонтом и / или заменой и не включает никакие другие обязательства, включая, но не ограничиваясь случайными или косвенными убытками. Гарантия становится недействительной, если изделие использовалось не по назначению, вопреки инструкциям, данным в Руководстве пользователя или было неправильно подключено. Настоящая гарантия не распространяется на:
 - любые повреждения изделия в результате неправильного технического обслуживания или недостаточного ухода за инструментом
 - любые изделия, подвергшиеся изменениям и модификации
 - любые изделия, оригинальные идентификационные отметки которого (торговая марка, серийный номер) были повреждены, изменены или удалены
 - любые повреждения, вызванные несоблюдением инструкций Руководства пользователя
 - любые изделия, не сертифицированные маркировкой "CE" для продажи в Европейском союзе
 - любые изделия, подвергшиеся попыткам ремонта неавторизованным работником или без предварительного утверждения компанией Techronic Industries.
 - любые изделия, подключенные к неправильному источнику питания (сила тока, напряжение, частота)
 - любые повреждения, вызванные внешними воздействиями (химические, физические, удары) или посторонними веществами – естественный износ запасных деталей
 - несоответствующее использование, перегрузка инструмента
 - использование неутвержденных аксессуаров и неоригинальных запасных деталей
 - аксессуары электроинструментов, поставляемые с инструментом или приобретаемые отдельно. К этому списку относятся, но не исчерпывают его: сверла шуруповертов, дрели, абразивные диски, наждачную бумагу, лезвия и боковые направляющие
 - компоненты (детали и аксессуары), подверженные естественному износу и разрыву, включая, но не ограничиваясь наборы для технического обслуживания, угольные щетки, подшипники, патроны, переходники SDS, кабели питания, дополнительные ручки, футляры для транспортировки, шлифовальные подшвы, пылесборники, трубки для отвода пыли, войлочные шайбы, штыри и пружины ударных ключей и др.
- Для проведения технического обслуживания изделие следует направлять в авторизованные сервисные центры RYOBI, указанные для каждой страны в приведенном ниже списке адресов станций сервисного обслуживания. В некоторых странах местные дилеры RYOBI отправляют изделия в сервисные организации RYOBI. При отправке изделия в сервисный центр RYOBI, изделие должно быть безопасно упаковано и не содержать никаких опасных веществ, таких как бензин, должен быть подписан адрес отправителя и сопровождаться кратким описанием неисправности.
- Ремонт / замена проводится в рамках настоящей гарантии бесплатно. Он не продлевает гарантию и не начинает новый гарантийный период. Замененные детали и инструменты становятся нашей собственностью. В некоторых странах отправитель должен оплачивать стоимость отправки. Ваши законные права, возникшие при покупке инструмента, остаются неизменными
- Данная гарантия действительна в Европейском Сообществе, Швейцарии, Исландии, Норвегии, Лихтенштейне, Турции и России. Вне указанных территорий обращайтесь к своему авторизованному дилеру RYOBI, чтобы узнать, применяются ли условия каких-либо других гарантий.

УПОЛНОМОЧЕННЫЙ СЕРВИСНЫЙ ЦЕНТР

Чтобы найти ближайший уполномоченный сервисный центр, обратитесь к веб-сайту <http://ru.ryobitools.eu/header/service-and-support/service-agents>.

PL WARUNKI GWARANCJI RYOBI®

Opis praw ustawowych wynikających z zakupu produkt jest objęty gwarancją, której warunki podano poniżej.

- Okres gwarancyjny wynosi 24 miesiące dla konsumentów i rozpoczyna się w dniu zakupu produktu. Datę zakupu należy udokumentować fakturą lub innym dowodem zakupu. Produkt został zaprojektowany i jest przeznaczony do użytku konsumencijskiego i prywatnego. W związku z tym gwarancja nie obejmuje zastosowań profesjonalnych i komercyjnych.
- Istnieje możliwość wydłużenia okresu gwarancyjnego dla części asortymentu narzędzi ręcznych z napędem mechanicznym (AC/DC) poprzez zarejestrowanie produktu na stronie internetowej www.ryobitools.eu. Kwalifikowalność narzędzi do wydłużenia okresu gwarancyjnego jest wyraźnie określona w sklepach i/lub na opakowaniu oraz w dokumentacji produktu. Użytkownik końcowy musi zarejestrować nowo kupione narzędzia online w ciągu 30 dni od daty zakupu. Użytkownik końcowy może zarejestrować się w celu przedłużenia gwarancji w swoim kraju zamieszkania, jeżeli jest on wymieniony w formularzu rejestracji online, gdzie opcja ta obowiązuje. Ponadto użytkownicy końcowi muszą wyrazić zgodę na przechowywanie danych, wprowadzanych na stronie internetowej i zaakceptować regulamin. Dowodem wydłużenia gwarancji jest wysłane pocztą elektroniczną potwierdzenie rejestracji i oryginał faktury potwierdzającej datę zakupu.
- Gwarancja obejmuje wszystkie wady produktu ujawnione w okresie gwarancyjnym wynikające usterek wykonania lub materiału obecnego w dniu zakupu. Gwarancja jest ograniczona do naprawy i/lub wymiany i nie obejmuje żadnych innych zobowiązań, w tym między innymi odpowiedzialności za szkody przypadkowe lub wtórne. Gwarancja nie obowiązuje, jeżeli produkt był nieprawidłowo używany, używany niezgodnie z instrukcją lub nie był prawidłowo podłączony. Gwarancja nie obejmuje:
 - uszkodzenia produktu wynikającego z nieprawidłowej konserwacji,
 - produktu, który został zmieniony lub zmodyfikowany,
 - produktu, którego oryginalne oznaczenie (znak towarowy, numer seryjny) zostało zniszczone, zmienione lub usunięte,
 - jakichkolwiek uszkodzeń wynikających z nieprzestrzegania instrukcji,
 - jakiegokolwiek produktu bez certyfikatu CE,
 - jakiegokolwiek produktu, który próbowano naprawić z pomocą niewykwalifikowanej osoby lub bez uzyskania wcześniejszej zgody firmy Technonic Industries.
 - jakiegokolwiek produktu podłączonego nie prawidłowo do źródła zasilania (nieprawidłowe nateżenie prądu, napięcie, częstotliwość),
 - jakichkolwiek uszkodzeń spowodowanych wpływem czynników zewnętrznych (chemicznych, fizycznych, dźwiękowych) lub substancji obcych,
 - normalnego zużycia części zamiennych,
 - nieprawidłowego użycia, przecięcia narzędzia
 - stosowania niezatwierdzonych akcesoriów lub części.
 - akcesoriów narzędzi ręcznych z napędem mechanicznym dostarczonych z narzędziami lub kupionych oddzielnie. Takie wyłączenia obejmują, między innymi, wymienne ostrza wkrętaka, wiertła, tarcze cierne, papier ścierny i ostrza, prowadnicę boczną.
 - elementów (części i akcesoriów) podlegających naturalnemu zużyciu obejmujących, między innymi, zestawy do konserwacji i serwisu, szczotki węglowe, łożyska, uchwyty, przystawkę wiertła SDS, gniazdo, przewód zasilania, uchwyty pomocnicze, skrzynie transportowa, płytę szlifierską, worek pyłowy, rurę odprowadzania pyłu, podkładki filcowe, kolki i sprężyny klucza udarowego itp.
- W celu serwisowania produkt należy wystać lub okazać w autoryzowanym punkcie serwisowym RYOBI znajdującym się na przedstawionym poniżej wykazie punktów serwisowych w poszczególnych krajach. W niektórych krajach lokalny dystrybutor produktów RYOBI podejmuje się wysyłki produktu do centrum serwisowego RYOBI. W przypadku wysyłki do punktu serwisowego RYOBI produkt — pozbawiony jakichkolwiek niebezpiecznych substancji, na przykład benzyny — należy bezpiecznie zapakować i dołączyć adres nadawcy oraz krótki opis usterek.
- Naprawa/wymiana w ramach niniejszej gwarancji jest bezpłatna. Nie stanowi jednak o przedłużeniu lub rozpoczęciu od nowa biegu okresu gwarancyjnego. Wymienione części lub narzędzia stają się naszą własnością. W przypadku niektórych krajów nadawca będzie musiał uregulować koszty dostawy lub opłaty pocztowe. Prawa ustawowe wynikające z zakupu narzędzia pozostają niezmienione.
- Niniejsza gwarancja obowiązuje w Unii Europejskiej, Szwajcarii, Islandii, Norwegii, Liechtensteinie, Turcji i Rosji. Poza tymi obszarami należy skontaktować się z autoryzowanym dostawcą produktów RYOBI i ustalić, czy obowiązuje inna gwarancja.

AUTORYZOWANY PUNKT SERWISOWY

Najbliższy autoryzowany punkt serwisowy można wyszukać w witrynie internetowej <http://pl.ryobitools.eu/header/service-and-support/service-agents>.

CS ZÁRUČNÍ PODMÍNKY RYOBI®

Kromě zákonných práv vyplývajících z koupě výrobku se na tento výrobek vztahuje také níže uvedené záruka.

- Záruční doba pro spotřebitele je 24 měsíců a začíná datem nákupu výrobku. Datum musí být zaznamenáno na faktuře nebo jiném dokladu o koupi. Tento výrobek je navržen a určen pouze pro soukromé účely spotřebitelů. Záruka se tedy nevztahuje na profesionální nebo komerční využití výrobku.
- U některých elektrických nástrojů (AC/DC) je možné záruční dobu prodloužit. K tomu je nutná registrace na stránkách www.ryobitools.eu. Možnost prodloužené záruční doby výrobků je jasně uvedena v prodejních, popř. na obalech nebo v dokumentech o výrobku. Koncový uživatel musí svůj nový nástroj zaregistrovat online do 30 dnů od data nákupu. Koncový uživatel se může k prodloužené záruční době zaregistrovat v zemi trvalého pobytu, pokud je tato uvedena na internetovém registračním formuláři u výrobku, kde je tato možnost dostupná. Koncoví uživatelé musí dále souhlasit s uložením osobních údajů, která musí zadat na internetu, a přijmout obchodní podmínky. E-mail s potvrzením registrace a původní faktura s datem koupě poslouží jako důkaz o prodloužené záruce.
- Záruka se vztahuje na veškeré vady na výrobku v rámci záruční doby způsobené výrobními vadami nebo vadami materiálu v době koupě. Záruka je omezena na opravu, popřípadě výměnu a nezahrnuje žádné další povinnosti, včetně mimo jiné vedlejších či následných odškodnění. Záruka neplatí při použití výrobku k nevhodným účelům, v rozporu s uživatelskou příručkou nebo při nesprávném zapojení. Záruka se nevztahuje na:
 - veškeré škody na výrobku způsobené nesprávnou údržbou
 - veškeré produkty, které byly pozměněny nebo upraveny
 - veškeré produkty, které se pokusí identifikaci prvky (obchodní značka, sériové číslo) poničeny, pozměněny nebo odstraněny
 - veškeré škody způsobené nedodržováním pokynů uživatelské příručky
 - veškeré produkty bez CE certifikace
 - veškeré produkty, které se pokusí opravit nekvalifikovaný odborník nebo opravy bez předchozího svolení společnosti Technonic Industries.
 - veškeré produkty zapojené do nesprávného elektrického zdroje (proud, napětí, frekvence)
 - veškeré škody způsobené externími vlivy (chemickými, fyzickými, nárazy) nebo cizími látkami
 - běžné opotřebování dílů
 - nevhodné použití, přetěžování nástroje
 - použití neschválených příslušenství nebo dílů
 - příslušenství k elektrickým nástrojům poskytnutých s nástrojem nebo zakoupených samostatně. Tyto výjimky se vztahují mimo jiné na šroubovácí bity, vrtáky, brusné disky, brusný papír a cepele, postranní vodič lišty
 - komponenty (díly a příslušenství) podléhající přirozenému opotřebování, včetně mimo jiné servisních sad, karbonových kartáčů, ložisek, sklididla, SDS nástavce na vrtací bity, napájecího kabelu, pomocné rukojeti, přepravního pouzdra, brusné desky, prachového vaku, výfukové prachové trubice, pístových podložek, západek a pružin rázového utahováku atd.
- K provedení servisu musí být výrobek zaslán nebo předán do autorizovaného servisního centra společnosti RYOBI, jejichž adresy jsou uvedeny podle země v seznamu servisních center. V některých zemích za vás výrobek pošle servisní organizaci RYOBI sám prodejce výrobku této značky. Při zaslání výrobku do servisního centra RYOBI je potřeba výrobek bezpečně zabalit bez nebezpečného obsahu jako benzín, opatřit adresu odesílatele a připojit krátký popis závady.
- Oprava, popř. výměna v rámci této záruky je zdarma. Neznamená to prodloužení nebo začátek nové záruční lhůty. Vyměněné díly nebo nástroje přejdou do našeho vlastnictví. V některých zemích platí poštovné odesílatelem. Vaše zákonná práva vyplývající z koupě tohoto nástroje zůstávají neotřezána.
- Tato záruka platí v Evropském Společenství, Švýcarsku, Norsku, Lichtenštejnsku, Turecku, Rusku a na Islandu. Mimo tato území kontaktujte autorizovaného prodejce značky RYOBI, který zjistí, zda se na výrobek vztahuje jiná záruka.

POVĚŘENÉ SERVISNÍ STŘEDISKO

Pro nalezení nejbližšího pověřeného servisního střediska navštivte <http://cz.ryobitools.eu/header/service-and-support/service-agents>.

(HU) A RYOBI® GARANCIA ALKALMAZÁSÁNAK FELTÉTELEI

A vásárlásból adódó törvényben rögzített jogok mellett a termékre az alábbi garancia vonatkozik.

1. A fogyasztói garancia tartama 24 hónap, mely a termék vásárlásának napjával kezdődik. Ezt a dátumot számlával vagy a vásárlást igazoló egyéb dokumentummal kell bizonyítani. A termék rendeltetése csak fogyasztói és magáncélú használat. Ezért professzionális vagy kereskedelmi használat esetén a garancia nem érvényes.
2. A szerszámgépek (egyenáramú/váltóáramú) egy részénél a garancia időtartama a www.ryobitools.eu webapon regisztrálva meghosszabbítható. Az áruházakban, a csomagolásban, illetve a termék dokumentációjában egyértelműen jelezve van, hogy az adott termék garanciája meghosszabbítható-e. A végfelhasználónak a vásárlás dátumától számított 30 napon belül regisztrálnia kell az újonnan vásárolt szerszámot. A végfelhasználó akkor regisztrálhat a kiterjesztett garanciára, ha az ország, ahol lakik, fel van sorolva az online regisztrációs űrlapon azon országok között, ahol választható ez az opció. Ezenkívül a végfelhasználónak bele kell egyeznie az online regisztrálás során szükséges adatok tárolásába, és el kell fogadnia a felhasználási feltételeket. A kiterjesztett garanciát a regisztráció beérkezésétől e-mailben küldött visszaigazolás és a vásárlás dátumát tartalmazó eredeti számla igazolja.
3. A garancia a termék vásárlásakor fennálló, a gyártás során keletkezett hibákra és anyaghibákra érvényes a garanciális időtartamon belül. A garancia csak a javításra/cserére korlátozódik, és nem terjed ki semmilyen egyéb kötelezettségre, nem kizárólagosan ideértve a véletlen vagy szándékos rongálást. A garancia nem érvényes, ha a termék nem megfelelően, a használati utasításban foglaltakkal ellentétben, illetve nem megfelelően csatlakoztatva használták. A garancia nem vonatkozik:
 - a terméket a nem megfelelő karbantartás következtében ért károsodásra
 - megváltoztatott vagy átalakított termékre
 - olyan termékre, melyen az eredeti azonosítókat (védjegy, sorozatszám) megrongálták, megváltoztatták vagy eltávolították
 - a használati utasítás be nem tartásából eredő kárra
 - CE jelöléssel nem rendelkező termékekre
 - olyan termékre, melyet nem képzett, illetve a Techtronic Industries által nem feljogosított szerelő javított
 - nem megfelelő (áramerősség, feszültség, frekvenciájú) áramforrásra csatlakoztatott termékre
 - külső (vegyi, fizikai, útés) hatásokból vagy idegen anyagokból eredő károkról
 - a cserélhető alkatrészek természetes kopására és elhasználódására
 - a szerszám helytelen használatára, túlterhelésére
 - nem jóváhagyott tartozékok és alkatrészek használatára
 - A szerszámmal adott vagy külön megvásárolt tartozékokra. Ilyenek például (de nem kizárólag) a csavarhúzófejek, fúrószárak, csiszolókorongok, csiszolópapír, kések, oldalirányú terelők.
 - A természetes kopásnak, elhasználódásnak kitett alkatrészek és kiegészítők, például (de nem kizárólag) szerviz- és karbantartókészletek, szénkefék, csapagyk, tokmány, SDS fúrószár csatlakozója, tápkábel, segédgöngyöl, szállítók, csiszolólap, porzsák, porlevetelő cső, ficálátétek, ütőműves csavarbehajító gép csapszege és rugója stb.
4. A terméket javításra el kell vinni egy meghatalmazott RYOBI szervizbe; ezeket az egyes országokhoz a következők listában találja. Egyes országokban a helyi RYOBI kereskedő vállalja a termék elszállítását a RYOBI szervizbe. A terméket veszélyes tartalom, például benzín nélkül csomagolva, a feladó címét feltüntetve, a hiba rövid leírásával együtt küldje el a RYOBI szervizbe.
5. A jelen garancia hatálya alatt végzett javítás, illetve csere ingyenes. Nem jelenti a garanciális időtartam újraindulását. A kicserélt alkatrészek és szerszámok a mi tulajdonunkba kerülnek. Egyes országokban a szállítási vagy postázási költséget a feladó viseli. A vevőnek a szerszám megvásárlásából adódó törvényes jogai nem változnak.
6. Jelen garancia az Európai Közösségben, Svájcban, Izlandon, Norvégiában, Liechtensteinben, Törökországban és Oroszországban érvényes. E területeken kívül kérdezze meg a RYOBI forgalmazót, hogy milyen garancia van érvényben.

HIVATALOS SZERVIZKÖZPONT

A legközelebbi hivatalos szervizközpont megtalálásához látogasson el a <http://hu.ryobitools.eu/header/service-and-support/service-agents>.

(RO) CONDIȚII DE APLICARE A GARANȚIEI PENTRU PRODUSELE RYOBI®

În plus față de condițiile statutare rezultate din achiziționarea acestui produs, acesta este acoperit de garanția stipulată mai jos.

1. Perioada de garanție este de 24 de luni pentru consumatori și începe de la data achiziționării produsului. Data de începere a garanției trebuie demonstrată cu o factură sau altă dovadă a cumpărării produsului. Produsul este destinat și conceput doar pentru utilizare în scopuri personale. Din acest motiv, nu se oferă garanție pentru utilizarea sa în scop profesional sau comercial.
2. Există posibilitatea de extindere a perioadei de garanție pentru gama de unelte electrice (de CA/CC) peste perioada stipulată mai sus prin înscrierea produsului pe [website-ul www.ryobitools.eu](http://www.ryobitools.eu). Eligibilitatea pentru perioada de extindere a garanției este afișată în mod clar în magazinele de vânzare și/sau pe ambalaj sau este inclusă în documentația livrată împreună cu produsul. Utilizatorul final este obligat să-și înregistreze produsul online în termen de maxim 30 de zile de la achiziția acestuia. Utilizatorul final poate înregistra produsul pentru garanția extinsă oferită în țara sa de rezidență dacă aceasta este listată în formularul de înregistrare online și dacă această opțiune este validă. În plus, utilizatorul final trebuie să-și dea acordul pentru stocarea datelor personale solicitate la înregistrare online și trebuie să accepte termenii și condițiile. Mesajul de confirmare a înregistrării, trimis prin e-mail și factura originală cu data achiziției vor dovedi perioada de garanție extinsă.
3. Garanția acoperă toate defecțiunile produsului survenite în perioada de garanție datorate defectelor de execuție sau materialelor folosite, începând cu data achiziției acestuia. Garanția este limitată la reparare și/sau înlocuire și nu include alte obligații, inclusiv, dar fără a se limita la daune accidentale sau rezultate pe cale de consecință. Garanția își pierde valabilitatea dacă produsul este utilizat necorespunzător, utilizat neconform cu instrucțiunile de utilizare din manualul cu instrucțiuni sau conectat incorect. Garanția nu se aplică în cazuri:
 - oricărei defecțiuni survenite în urma întreținerii necorespunzătoare a produsului
 - oricărui produs alterat sau modificat
 - oricărui produs la care inscripțiile cu datele de identificare (marca comercială, numărul de serie) au fost sterse, modificate sau îndepărtate
 - oricărei defecțiuni datorate neconformării cu instrucțiunile din manualul de utilizare
 - oricărui produs necertificat CE
 - oricărui produs asupra căruia au fost efectuate tentative de reparare de către personal necalificat sau fără autorizație prealabilă din partea Techtronic Industries.
 - oricărui produs conectat la o sursă de alimentare necorespunzătoare (curent, tensiune, frecvență)
 - oricăror defecțiuni datorate unor influențe externe (chimice, fizice, șocuri) sau substanțe străine
 - uzurii și fisurării normale a pieselor de rezervă
 - utilizării neadevurate, suprasolicitanți uneltei
 - utilizării de piese și accesorii neaprobate
 - accesoriilor pentru unelțile furnizate odată cu aceasta sau achiziționate separat. Acestea excluderi se aplică, dar fără a se limita la următoarele: burghie, bițe de șurubelniță, discuri abrazive, hârtie abrazivă și lame de tăiere, ghidaje laterale
 - Componentele (piese și accesorii) supuse uzurii normale, care includ, fără a se limita la, kituri de întreținere și service, perle de carbune, rumelni, mandrină, adaptor pentru burghie SDS, cordoan de alimentare, mâner auxiliare, cutie de transport, placă pentru șlefuit, sac pentru praf, tub pentru evacuarea prafului, discuri de pâslă, adaptatoare și resorturi pentru cheile de strângere prin vibrare, etc.
4. Pentru efectuarea reparațiilor, produsul trebuie trimis sau adus la un centru de reparații autorizat RYOBI din lista următoare de centre de reparații prezentate pentru fiecare țară. În anumite țări, reprezentatul local RYOBI va trimite produsul spre reparare la sediul central de reparații RYOBI. Atunci când trimiteți produsul spre reparare la un centru de reparații RYOBI, acesta trebuie ambalat în siguranță, fără conținut periculos (cum ar fi benzina), marcat cu adresa expeditorului și însoțit de o scurtă descriere a defectului.
5. Repararea/inlocuirea în perioada de garanție este gratuită. Aceasta nu este însoțită de o prelungire sau o reințiere a perioadei de garanție. Piese sau unelte schimbate devin proprietatea dvs. În anumite țări, taxele de expediție sau poștale vor fi suportate de expeditor. Drepturile dvs. statutare rezultate din achiziția produsului rămân neschimbate.
6. Această garanție este valabilă în Comunitatea Europeană, Elveția, Islanda, Norvegia, Liechtenstein, Turcia și Rusia. În afara acestor zone, vă rugăm să contactați reprezentantul dvs. local RYOBI pentru a determina dacă se aplică alt tip de garanție.

CENTRU DE SERVICE AUTORIZAT

Pentru a găsi un centru de service autorizat lângă dvs., vizitați <http://en.ryobitools.eu/header/service-and-support/service-agents>.

LV RYOBI® GARANTIJAS PIEMĒROŠANAS NOSACĪJUMI

Papildin jebkādām likumiskajām tiesībām, kuras rodas, veicot pirkumu, izstrādājums tiek nodrošināts ar tālāk tekstā noteikto garantiju.

1. Garantijas periods patērētājiem ir 24 mēneši, tā atskaitē tiek sākti no datuma, kurā veikta izstrādājuma iegāde. Šim datumam jābūt dokumentētām rēķinā vai citā pirkumu apliecināšā dokumentā. Izstrādājums ir radīts un paredzēts tikai patērētāja privātai lietošanai. Saistībā ar iepriekšminēto, garantija netiek nodrošināta profesionālās vai komerciālās lietošanas gadījumā.
2. Pastāv iespēja pagarināt daļas no elektroinstrumentu klāsta (Mainstrāvas/akumulatoru) garantiju ilgāk par iepriekš minēto periodu, izmantojot reģistrāciju interneta vietnē www.ryobitools.eu. Instrumenti, kas pakļauti garantijas perioda pagarināšanai, tiek skaidri apzīmēti veikalos un/vai uz iepakojuma un izstrādājumu komplektējošajā dokumentācijā. Gala lietotājam nepieciešams reģistrēt tā iegādāto jauno instrumentu 30 dienu laikā no pirkuma datuma. Gala lietotājs var reģistrēties pagarinātajai garantijai savā mītnes valstī, ja tā minēta tiesīsaistes reģistrācijas veidlapā, kurā šī iespēja ir aktīva. Bez tam, gala lietotājam ir jāsniedz piekrišana tiesīsaistes ievadīšanai nepieciešamo datu glabāšanai un jāpiekrīt noteikumiem un nosacījumiem. Reģistrācijas apstiprinājums, kas tiek nosūtīts, izmantojot e-pastu, un rēķina oriģināls, kurā norādīts iegādes datums, kalpo kā pagarinātās garantijas apstiprinājums.
3. Garantija attiecas uz visiem izstrādājuma defektiem garantijas periodā, kas saistīti ar ražošanas vai materiālū defektiem no pirkuma datuma. Šī garantija tiek ierobežota ar remontu un/vai nomaiņu un neietver jebkādas citas saistības, tajā skaitā, bet ne tikai, cēloņsakarīgas vai saistītas bojājumus. Garantija nav spēkā, ja izstrādājums ir nepareizi lietots, izmantots pretēji norādētiem lietošanas rokasgrāmatā vai bijis nepareizi pieslēgts. Šī garantija netiek attiecināta uz:
 - jebkādiem izstrādājuma bojājumiem, kas radušies nepareizas uzturēšanas rezultātā
 - jebkuru izstrādājumu, kas ticis pārveidots vai mainīts
 - jebkuru izstrādājumu, kura oriģinālās identifikācijas (preču zīme, sērijas numurs) marķējums ir ticis nodarīts, mainīts vai noņemts
 - jebkādiem bojājumiem, kuri radušies neievērojot norādes lietošanas rokasgrāmatā
 - jebkādam izstrādājumam bez CE sertifikācijas
 - jebkura izstrādājuma, kura remonts/maiņas veikta nekvalificētās personālas vai bez Techntron Industries iepriekšējas autorizācijas.
 - jebkura izstrādājuma, kurš bijis pieslēgts neatbilstoši parametru (strāvas, sprieguma, frekvences) sprauguma avotam
 - jebkuriem bojājumiem, kuri radušies ārējas iedarbības (ķīmiskas, fiziskas, triecieni) vai vielu ietekmē
 - detaļu normāla lietošanas nodiluma rezultātā
 - nepareizas lietošanas vai instrumentu pārslodzes rezultātā
 - neapstrīnātu detaļu vai apkopjuma lietošanas rezultātā
 - elektroinstrumentu aksesuāriem, kas atrodas instrumenta komplektācijā vai ir iegādāti atsevišķi. Šis izņēmums attiecināms uz, bet neaprobežojoties ar, skrūvgrīvu uzgaļiem, urbjiem, abrazīvajiem diskjiem, smilšpapīru un asmeņiem, sānu vadotņiem
 - komponentiem (daļām un aksesuāriem), kas pakļauti normālam nodilumam, ieskaitot, bet neaprobežojoties ar Servisa un apkopju komplekti, oglekļa sukuks, gultņi, patrona, SDS urbju uztvērējiem vai uzlika, elektrības vads, papildus rukturis, transportēšanas un pārnēsāšanas kaste, slīpmašīnas plakšne, putekļu mais, putekļu izvadsības caurule, papildkārņi, triecienatslēgu tapas un atsperes, u.t.t.
4. Servisa nodrošināšanai, izstrādājums ir jānodod pilnvarotā RYOBI servisa centrā, kas norādīts katrā valstij tālāk minētajā servisa centra adresē sarakstā. Dažās valstīs jūsu vietējais RYOBI izplatītājs uzņemas izstrādājuma nosūtīšanu uz RYOBI servisa organizāciju. Nosūtīt izstrādājumu uz RYOBI servisa centru, izstrādājuma jābūt droši iepakotam, tas nedrīkst saturēt bīstamas vielas kā degvielu, sūtiņumam jābūt marķētam ar sūtiņāja adresi un īsu kļūmes aprakstu.
5. Remonts/nomaīpa šīs garantijas ietvaros ir bezmaksas. Tas nerada garantijas perioda pagarināšanu vai jaunu garantiju. Nomainītās daļas vai instrumentu kļūst par mūsu īpašumu. Dažās valstīs piegādes, kas nodibinās, iegādājoties instrumentu, palielk nomainīgas
6. Šī garantija ir spēkā Eiropas Kopienā, Šveicē, Islandē, Norvēģijā, Līhtenšteinā, Turcijā un Krievijā. Ārpus šīm teritorijām, lūdzu, sazinieties ar jūsu pilnvaroto RYOBI izplatītāju, lai noteiktu, vai ir piemērojama cita garantija.

AUTORIZĒTS APKALPOŠANAS CENTRS

Lai atrastu tuvāko autorizēto apkalpošanas centru, apmeklējiet <http://en.ryobitools.eu/header/service-and-support/service-agents>.

LT „RYOBI®” GARANTIJOS TAIKYMO SĄLYGOS

Papildint bet kokias įstatymuose numatytas perkant atsirandančias teises, šiam įrenginiui taikoma toliau nurodyta garantija.

1. Vartotojas suteikiama 24 mėnesių trukmės garantija nuo įrenginio įsigijimo datos. Ši data turi būti nurodyta sąskaitoje faktūroje ar kitame pirkimą įrodančiame dokumente. Šis įrenginys skirtas tik vartotojų rinkai ir asmeniniam naudojimui. Todėl garantija netaikoma, jei įrenginys naudojamas profesinėms ar komercinėms reikmėms.
2. Įsigijus tam tikrus elektrinius įrenginius (AC/DC), suteikiama galimybė pratęsti garantiją, kad ji galiojūt ilgiau, nei nurodyta pirmiau, naudojantis registracija interneto svetainėje www.ryobitools.eu. Ar galima pratęsti įrenginio garantiją laikotarpi, aiškiai nurodoma parduotuvsė ir (arba) ant įrenginio pakutės, ir (arba) įrenginio dokumentuose. Galutinis naudotojas turi užregistruoti savo naujai įsigytą įrenginį per 30 dienų nuo įsigijimo datos. Galutinis naudotojas gali registruotis išplėstinei garantijai savo gyvenamojoje šalyje, jei ji nurodyta internetinėje registracijos formoje, kurioje siūloma tokia galimybė. Be to, galutiniai naudotojai turi sutikti su duomenų, kuriuos reikia įvesti internetui, saugojimu ir svetainės naudojimo sąlygomis. Kaip išplėstinės garantijos įrodymas naudojamas registracijos patvirtinimo kvitas, atsiunčiamas el. paštu, ir originali sąskaita faktūra, kurioje nurodyta įsigijimo data.
3. Ši garantija apima visus garantinio laikotarpio aptiktus įrenginio trūkumus, atsiradusius dėl gamybos arba medžiaginių defektų nuo įsigijimo datos. Ši garantija ribojama remontu ir (arba) paketeimu, ji neapima jokių kitų įsipareigojimų, įskaitant (bet tuo neapsiribojant) šalutinius arba antrinius nuostolius. Garantija anuliuojama, jei įrenginys buvo naudojamas netinkamai, naudojamas ne pagal naudojimo instrukciją arba netinkamai prijungtas. Ši garantija netaikoma:
 - jokiai įrenginiui padarytai žalai, kurią lėmė netinkama techninė priežiūra;
 - jokiai įrenginiui, kuris buvo keičiamas ar modifikuojamas;
 - jokiai įrenginiui, kurio originalūs identifikavimo ženklai (prekės ženklas, serijos numeris) buvo sugadinti, pakeisti arba pašalinęti;
 - jokiai žalai, kurią lėmė naudojimo instrukcijos nesilaikymas;
 - jokiems CE ženklu nepažymėtiems įrenginiams;
 - jokiai įrenginiui, kurį bandė remonuoti nekvalifikuoti asmenys arba kuris buvo remonuojamas be „Techntron Industries” leidimo;
 - jokiai įrenginiui, kuris buvo prijungtas prie netinkamo maitinimo tinklo (netinkamos srovės, įtampos, dažnio);
 - jokiai žalai, kurią lėmė išorinis poveikis (cheminis, fizinis, smūgiai) arba pašalinės medžiagos;
 - dėvimosioms dalims;
 - netinkamam naudojimui, įrenginio perkrovai;
 - nepatvirtintų priedų arba dalių naudojimui.
 - su įrenginiu pateiktiems arba atskirai įsigytiems elektrinio įrenginio priedams. Šios išimties apima (tuo neapsiribojant) atsuktųjų antgalius, gražtų antgalius, šlifavimo diskus, švitinį popjerių ir geležtes, šoninį kreiptuvas,
 - komponentams (dalims ir priedams), kurie natūraliai dėviasi, įskaitant (bet tuo neapsiribojant) įprastines ir technines priežiūros rinkinius, anglinius šepetėlius, guolius, laikiklį, SDS gražtų antgalių priedą arba lizdą, maitinimo kabelį, pagalbinę rankena, nešiojimo dėklą, šlifavimo diską, maišelį dulkmės, dulkių ištraukimo vamzdelį, fetro poveržles, smūginio veržliarakčio kaišius ir spyruokles ir pan.
4. Prieikis atlikti priežiūros darbus, įrenginį reikia siūsti arba atvežti RYOBI įgaliotajam priežiūros centrui, nurodytam kiekvienos šalies priežiūros centrų adresų sąrašė. Kai kuriose šalyse vietinis RYOBI atstovas siunčia įrenginį RYOBI priežiūros organizacijai. Siunčiant įrenginį RYOBI priežiūros centrui, reikia saugiai jį supakuoti pašalinant visas pavojingas medžiagas, pvz., benzina, nurodyti ant pakutės siuntėjo adresą ir pridėti trumpą gedimo aprašymą.
5. Pagal šią garantiją remontas / keitimas atliekama nemokamai. Tokie veiksmai nealokami garantijos pratęsimu arba naujo garantinio laikotarpio pradžia. Dalsys arba įrenginiai, kuriuos pakeitėme, tampa mūsų nuosavybe. Kai kuriose šalyse pristatymo ir pašto išlaidas turi padengti siuntėjas. Įstatymuose numatytos jūsų teisės, atsirandančios perkant įrenginį, lieka nepakeistos
6. Ši garantija galioja Europos bendrijoje, Šveicarijoje, Islandijoje, Norvegijoje, Lichtenšteine, Turkiijoje ir Rusijoje. Jei gyvenate ne šiose šalyse, kreipkitės į įgaliotąjį RYOBI atstovą ir sužinokite, ar jums taikoma kita garantija.

ĮGALIOTAS TECHININIS PRIEŽIŪROS CENTRAS

Jei norite surasti įgaliotą techninės priežiūros centrą netoli Jūsų, apsilankykite interneto svetainėje <http://en.ryobitools.eu/header/service-and-support/service-agents>.

ET RYOBI® GARANTIIINGIMUSED

Lisaks toote ostust tulenevatele seadusjärgsetele õigustele, kehtib tootele ka alltoodud garantiiaeg.

1. Tarbijatele on garantiiaeg 24 kuud ja algab sellel kuupäeval, mil toode osteti. Selle kuupäeva tõestuseks on vaja arvet või mõnda teist tõendit ostu sooritamise kohta. Toode on mõeldud eratarbijatele ainult isiklikuks kasutamiseks. Seega ei kehti garantii ostu kasutamisel kutsetegevuses või kaubanduslikel eesmärkidel.
2. Teatud osale elektrilistele (vahelduvvoolu/alisvoolu) tööriistadele on võimalik pikendada eespool toodud garantiiaega, kasutades toote registreerimist veebilehel www.ryobitools.eu. Teave tööriista võimaliku pikendatud garantiiaja kohta on selgelt esile toodud poodides ja/või pakendis / ning see sisaldab toote dokumentatsiooni. Lõpptarbijaja peab registreerima oma uued tööriistad interneti teel 30 päeva jooksul pärast ostopäeva. Lõppkasutajaja võib registreerida pikendatud garantiiaja saamise oma elukohariigis, kui veebis olevas registreerimisvormis on see valik lubatav. Lisaks peavad kasutajad andma oma nõusoleku veebis nõutud lisetatavate andmete säilitamiseks ning nad peavad nõustuma tingimustega. E-posti teel saadetak registreerimise kinnitus ja arve originaal, kus on näha ostu sooritamise kuupäev, on pikendatud garantiiaja tõestuseks.
3. Garantii katab kõik defektid toote garantiiaja jooksul, kui ostu kuupäeval ilmnevad talitlus- või materjalivead. Garantii piirub toote remondi ja/või väljavahetamisega ning ei sisalda muid kohustusi, muu hulgas ettenägematuid või kaudseid kahjusid. Garantii ei kehti, kui toodet ei ole kasutatud sihtotstarbelselt või kooskõlas kasutusjuhendiga või see on valesti ühendatud. Garantii ei kehti järgmistel põhjustel:
 - toode on kahjustatud vale hoolduse tõttu
 - toodet on muudetud
 - toote algaparased identifitseerimismärgised (kaubamärk, seerianumber) on rikutud, muudetud või eemaldatud
 - kahju on tekkinud kasutusjuhendi mittejärgimisest
 - tootel puudub CE-märgis
 - toodet on püüdnud remontida vastavat kvalifikatsiooni mitte omav isik või ilma firma Technronic Industries eelneva loata.
 - toode on ühendatud valesse toiteallikasse (voolutugevus, pinge, sagedus)
 - välismõjude (keemilised, füüsilised, elektrilöögid) või võrkehade tekitatud kahju
 - tavapärase kulumine ja katkised varuosad
 - ebaõige kasutamine, tööriista ülekoormamine
 - heakskiitmata tarvikute või osade kasutamine
 - koos tööriistaga saadud või eraldi ostetud elektriliste tööriistade tarvikud. Need erandid puudutavad muu hulgas kruvikeeraja otsakuid, puuriterasid, liivketaid, liivpaberit ja -taldu, külgjuhiüksid
 - komponendid (osad ja tarvikud), mida iseloomustab kulumine ja vananemine, muu hulgas remondi- ja hoolduskomplektid, süsinikharijad, laagrid, padrunid, SDS-puuriterade tarvikud, töltejähv, lisakäepide, transpordikott, liivplaad, tolmuokt, tolmua väljalasketoru, vildist seibid, löökmitrivõtme võllid ja vedrud jne.
4. Hoolduseks peab toote saatma või viima RYOBI volitatud teenindusse, mille aadressi leiab järgnevast teeninduspunkti nimekirjast vastava riigi alt. Mõnedes riikides võtab kohalik RYOBI edasimüüja enda kanda kohustuse saata toode RYOBI teenindusorganisatsiooni. Toote saatmisel RYOBI teenindusse peab toode olema ohutult pakitud ja ei tohi sisaldada ohtlikke aineid (nt bensiini), kirjas peab olema saatja aadress ja lisatud vea lühikirjeldus.
5. Garantii alusel tehtavad remonditööd / asendamine on tasuta. See ei pikenda garantii kehtivusaega ega tähtsita uue garantiiaja algust. Väljavahetatud osad või tööriistad kuuluvad meile. Mõnedes riikides maksab kätetoimetamis- ja postikulud saatja. Teile jäävad kehtima tööriista ostust tulenevad seadusjärgsed õigused
6. See garantii kehtib Euroopa Ühenduse territooriumil, Šveitsis, Islandil, Norras, Liechtensteinis, Türgis ja Venemaal. Väljaspool neid piirkondi võtke ühendust volitatud RYOBI edasimüüjaga, et teha kindlaks kas kehtib mõni teine garantii.

VOLITATUD HOOLDUSKESKUS

Oma volitatud hooldekeskuse leiate veebisaidil <http://en.ryobitools.eu/header/service-and-support/service-agents>.

HR UVJETI PRIMJENE JAMSTVA TVRTKE RYOBI®

Osim svim zakonskim pravima koja proizlaze iz kupnje, ovaj je proizvod pokriven jamstvom kako je navedeno u nastavku.

1. Jamstveno razdoblje za potrošače traje 24 mjeseca i počinje s datumom na koji je proizvod kupljen. Taj datum mora se dokumentirati računom ili drugim dokazom o kupnji. Proizvod je konstruiran i namijenjen samo za privatnu upotrebu korisnika. Stoga se jamstvo ne daje u slučaju profesionalne ili komercijalne uporabe.
2. Postoji mogućnost da se za dio asortimana električnih alata pokretanih izmjeničnom strujom (AC/DC) proizvodi gore navedeno jamstvo razdoblje putem registriranja na mrežnom mjestu www.ryobitools.eu. Uvjeti koje je potrebno zadovoljiti kako bi se produžilo jamstveno razdoblje jasno su istaknuti u prodavaonicama i / ili na pakiranju / i nalaze se unutar dokumentacije proizvođača. Krajnji korisnik mora registrirati svoje novo kupljene alate na mreži u roku od 30 dana od datuma kupnje. Krajnji korisnik može se registrirati za produženo jamstvo u svojoj zemlji boravišta ako se nalazi na popisu u mrežnom obrascu za registraciju gdje je ta opcija važeća. Nadalje, krajnji korisnici moraju dati svoj pristanak na pohranu podataka koji su potrebni za mrežni ulazak i moraju prihvatiti odredbe i uvjete. Potvrda o prijemu registracije, koja se šalje putem e-pošte, kao i originalni račun s vidljivim datumom kupnje poslužit će kao dokaz produženog jamstva.
3. Jamstvo pokriva sve nedostatke proizvoda tijekom jamstvenog razdoblja koji su nastali zbog neispravnosti prilikom izrade ili materijala s datumom kupnje. Jamstvo je ograničeno na popravak i/ili zamjenu i ne obuhvaća nikakve druge obveze, uključujući, ali ne ograničavajući se na sljedeće ili posljednje štete. Jamstvo ne vrijedi ako je proizvod bio zlorabljivan, korišten u suprotnosti s priručnikom s uputama ili ako je pogrešno spojen. Ovo jamstvo ne primjenjuje se na:
 - svaku štetu koja je na proizvodu nastala kao rezultat nepravilnog održavanja
 - svaki proizvod koji je promijenjen ili izmijenjen
 - svaki proizvod na kojem su izvorne identifikacijske oznake (žig, serijski broj) bile oštećene, izmijenjene ili uklonjene
 - svaku štetu prouzročenu nepridržavanjem priručnika s uputama
 - svaki proizvod koji nema oznaku CE
 - svaki proizvod koji je pokušao popraviti nekvalificirani profesionalac ili onaj koji je popravljen bez prethodnog odobrenja tvrtke Technronic Industries.
 - svaki proizvod koji je spojen na neprikladan izvor električnog napajanja (neodgovarajuća amperaza, napon, frekvencija)
 - svaku štetu prouzročenu unutarnjim utjecajima (kemijskim, fizikalnim, udarima) ili stranim tvarima
 - normalno habanje i trošenje rezervnih dijelova
 - neodgovarajuću uporabu, preopterećenje alata
 - upotrebu neodobrene opreme ili dijelova
 - dodatnu opremu električnog alata isporučenu s alatom ili kupljenu odvojeno. Takvi izuzetci uključuju ali nisu ograničeni na vrhove odvijaca, svrdla bušilice, abrazivne diske, brusni papir i noževe, bočnu vodilicu
 - Komponente (dijelovi i pribor) podložne prirodnom trošenju i habanju, što uključuje, ali nije ograničeno na komplecte za servisiranje i održavanje, ugljične četkice, ležajeve, steznu glavu, nastavak ili priključak za svrdla za SDS bušilicu, priključni kabel, pomoćnu ručku, transportne torbe, brusnu ploču, vreću za prašinu, ispušni cijev za prašinu, podloške od filca, udarni klijuč, zatici i opruge, itd.
4. Za potrebe servisiranja, proizvod se mora poslati ili odnijeti u ovlaštenu servisnu postaju tvrtke RYOBI navedenu na sljedećem popisu s adresama servisnih postaja u svakoj zemlji. U nekim zemljama, vaš lokalni RYOBI zastupnik obvezuje se da će poslati proizvod u servisnu organizaciju tvrtke RYOBI. Kada se proizvod šalje u neku servisnu postaju tvrtke RYOBI, proizvod se mora sigurno pakirati bez jednog od opasnih sadržaja kao što je benzin, na njemu mora pisati adresa pošiljatelja i mora biti popraćen kratkim opisom kvara.
5. Popravak / zamjena pod ovim jamstvom su besplatni. Oni ne predstavljaju produženje ili novi početak jamstvenog razdoblja. Zamijenjeni dijelovi ili alati postaju naše vlasništvo. U nekim državama troškove isporuke ili poštarinu mora platiti pošiljatelj. Vaša zakonska prava koja proizlaze iz kupnje alata ostaju nepromijenjena
6. Ovo jamstvo vrijedi u Europskoj uniji, Švicarskoj, Islandu, Norveškoj, Lihtenštajnu, Turskoj i Rusiji. Izvan tih područja vas molimo da se obratite svojem ovlaštenom zastupniku tvrtke RYOBI kako biste utvrdili primjenjive ili se drugo jamstvo.

OVLAŠTENI SERVISNI CENTAR

Za pronalaženje ovlaštenog servisnog centra pronađite nas posjetite <http://en.ryobitools.eu/header/service-and-support/service-agents>.

SL POGOJI ZA VELJAVNOST GARANCIJE RYOBI®

Poleg morebitnih zakonsko določenih pravic, ki izvirajo iz nakupa, za ta izdelek velja spodaj navedena garancija.

- Garancijsko obdobje je za potrošnike 24 mesecev in začne teči z dnem nakupa izdelka. Ta datum mora biti dokumentiran z računom ali drugim dokazilom o nakupu. Izdelek je zasnovan in namenjen izključno za potrošniško zasebno uporabo. V primeru strokovne oziroma komercialne uporabe izdelka garancija ne velja.
- Obstaja možnost podaljšanja garancije na del naše ponudbe električnih orodij (AC/DC) prek obdobja garancije, opisanega zgoraj, s pomočjo registracije na spletnem mestu www.ryobitools.eu website. Ustreznost orodij za podaljšanje garancijskega obdobja je jasno prikazana v trgovinah in/ali na embalaži oziroma je navedena v dokumentaciji izdelka. Končni uporabnik mora registrirati svoje novo orodje na spletu v 30 dneh po datumu nakupa. Končni uporabnik lahko registrira podaljšano garancijo v svoji državi bivanja, če je na obrazcu spletne registracije navedeno, da ta možnost velja za njegovo državo. Poleg tega morajo končni uporabniki podati svoje soglasje za shranjevanje podatkov, ki so potrebni za spletni dostop in morajo sprejeti pogoje in določila uporabe spletnega mesta. Potrdilo o registraciji, ki ga pošljemo prek e-pošte, in originalni račun, ki prikazuje datum nakupa, služita kot dokazilo o podaljšani garanciji.
- Garancija krije vse okvare izdelka, do katerih pride v garancijskem obdobju zaradi napak v izdelavi ali materialu, ki so bile prisotne ob datumu nakupa. Garancija je omejena na popravilo in/ali zamenjavo in ne vključuje nobenih drugih obveznosti, med drugim vključuje z naključno ali posledično škodo. Garancija ne velja, če je bil izdelek napačno uporabljen, uporabljen v nasprotju z navodili iz priložnice za uporabo ali če ni bil pravilno povezan. Ta garancija ne velja za:
 - škodo na izdelku, ki je posledica neustreznega vzdrževanja
 - spremenjen ali prilagojen izdelek
 - izdelek, katerega originalna identifikacijska oznaka (blagovna znamka, serijska številka) je bil poškodovan/a, spremenjena ali odstranjena
 - škodo, ki je posledica neupoštevanja navodil iz priložnice za uporabo
 - izdelek, ki nima oznake CE
 - izdelek, ki ga je poskušal popraviti nekvalificiran strokovnjak ali ki je bil popravljen brez predhodne odobritve s strani družbe Techtron Industries.
 - izdelek, ki je bil povezan na neustrezno napajanje (amperška moč, napetost, frekvenca)
 - škodo, ki jo povzročijo zunanji vplivi (kemični, fizični, mehanski) ali tuje snovi
 - rezervne dele, ki so podvrženi običajni uporabi
 - neprimerno uporabo, preobremenitev orodja
 - uporabo neodobrenih dodatkov ali delov
 - Dodatno električno orodje, priloženo orodju ali kupljeno ločeno. Take izjeme so med drugim nastavki za izvijače, svedri, abrazivni diski, brusni papir in rezila, stranska vodila.
 - Komponente (sestavni in rezervni deli), ki so podvrženi običajni obrabi, med drugim vključno s kompleti za servisiranje in vzdrževanje, oglikovimi krtačkami, ležaji, vpenjali, svedrni priključki SDS ali sprejemnimi odprtini zanje, napajalnimi kablji, pomožnimi ročajmi, prenosnimi kovčki, brusnimi ploščami, vrečkami za prah, cevmi za izpuh prahu, tesnilni iz filca, iglami in vzmetni udarnega ključa itd.
- Za servisiranje morate izdelek poslati ali prinesiti v pooblaščen servisni center družbe RYOBI, ki je naveden za vsako državo na naslednjem seznamu naslovov servisnih centrov. V nekaterih državah se vaš lokalni posrednik družbe RYOBI obveže, da bo poslal izdelek na servis družbe RYOBI. Ko pošiljate izdelek v servisni center družbe RYOBI, mora biti izdelek varno zapakiran in ne sme vsebovati nobenih nevarnih snovi, kot je npr. bencin, opremljen pa mora biti z nastavom pošiljatelja in vsebovati kratak opis napake.
- Popravilo/zamenjava v skladu s to garancijo sta brezplačni storitvi. To pa ne predstavlja podaljšanja ali ponovnega začetka garancijskega obdobja. Zamenjani deli ali orodja postanejo naša last. V nekaterih državah stroške dostave ali poštnino plača pošiljatelj. Vaše zakonsko določene pravice, ki izvirajo iz nakupa orodja, ostajajo nespremenjene.
- Ta garancija velja v Evropski skupnosti, Švici, Islandiji, na Norveškem, v Lichtenštajnu, v Turčiji in Rusiji. Izven teh območij se obrnite na svojega pooblaščenega posrednika izdelkov RYOBI, dealer ki vam bo povedal, ali velja kakšna druga garancija.

POOBLAŠČEN SERVISNI CENTER

Pooblaščen servisni center blizu vas poiščite na <http://en.ryobitools.eu/header/service-and-support/service-agents>.

SK ZÁRUČNÉ PODMIENKY RYOBI®

Na tento výrobok sa okrem všetkých zákonných práv, vyplývajúcich z nákupu, vzťahuje záruka v nasledovnom znení.

- Záručná doba pre spotrebiteľa je 24 mesiacov a začína plynúť odo dňa, kedy bol výrobok zakúpený. Tento dátum musí byť doložený faktúrou alebo iným dokladom o zakúpení. Výrobok je navrhnutý a určený pre spotrebiteľa a len na súkromné používanie. Preto sa záruka sa neposkytuje v prípade použitia na profesionálne a komerčné účely.
- V prípade elektrického náradia (na striedavý/jednosmerný prúd AC/DC), existuje možnosť predĺženia záručnej doby oproti záručnej dobe, uvedenej vyššie, s využitím on-line registrácie na webovej stránke www.ryobitools.eu. Označenie na náradí o nároku na predĺženie záručnej doby je zreteľne uvedené v obchodoch a/alebo na obale a je uvedené v dokumentácii k výrobku. Koncový používateľ musí zaregistrovať svoje novozískané náradie on-line do 30 dní odo dňa nákupu. Koncový používateľ sa môže zaregistrovať na predĺženie záruky v krajine svojho bydliska, ak je v on-line registračnom formulári uvedená táto možnosť. Ďalej musia koncoví používatelia ešte dať svoj súhlas k uchovávaní údajov, ktoré je potrebné zadať on-line a musia súhlasiť s podmienkami. Potvrdenie o prijatí registrácie, ktorý je zasielané e-mailom a original faktúru, v ktorej je uvedený dátum nákupu, slúžia ako dôkaz o predĺženej záruke.
- Záruka sa vzťahuje na všetky poruchy výrobku v záručnej dobe, spôsobené chybami materiálu alebo spracovania k dátumu nákupu. Táto záruka je obmedzená na opravu alebo výmenu a nezahŕňa ďalšie povinnosti, vrátane, okrem iných, náhodné alebo následné škody. Táto záruka je neplatná, ak bol výrobok nesprávne používaný, bol používaný v rozpore s návodom na použitie alebo bol nesprávne zapojený. Táto záruka sa nevzťahuje na:
 - akékoľvek poškodenie výrobku, ktoré bolo spôsobené nesprávnou obsluhou
 - akýkoľvek výrobok, ktorý bol zmenený alebo upravený
 - akýkoľvek výrobok, na ktorom bolo poškodené, upravené alebo odstránené identifikačné označenie (ochranná známka, výrobné číslo)
 - akékoľvek škody, spôsobené nedodržaním návodu na obsluhu
 - akýkoľvek výrobok, ktorý neobsahuje označenie CE
 - akýkoľvek výrobok, ktorý sa pokúšal opraviť nekvalifikovaný odborník alebo bol opravovaný bez predchádzajúceho súhlasu zo strany spoločnosti Techtron Industries.
 - akýkoľvek výrobok, pripojený k nesprávnejmu napájaciemu zdroju (ampéry, napätie, frekvencia)
 - akékoľvek poškodenia, spôsobené vonkajšími vplyvmi (chemickými, fyzikálnymi, nárazmi) alebo cudzorodými látkami
 - bežné opotrebovanie náhradných dielov
 - nevhodné používanie, pretavovanie nástroja
 - používanie neschváleného príslušenstva a dielov
 - príslušenstvo k elektrickému náradiu, dodávané spolu s náradím alebo zakúpené oddelene. Takéto nástroje sa vzťahujú, okrem iného, na nástroj skrutkovačov, vrtáky, brusné kotúče, brusný papier a čepele, bočné vodiace lišty
 - Súčiastky (diely a príslušenstvo), ktoré podliehajú prirodzenému opotrebeniu, okrem iného súpravy na servis a údržbu, uhličky, ložiská, skľučovadlá, SDS vrtáky a príslušenstvo, príloh alebo príjmiarne, napájací kábel, pomocná rukoväť, prepravná skriňa, brusná doska, pracovné vrecko, výfuková trubica, pistené podložky, kolíky a pružiny na rázový utahovač atď.
- Na opravu musí byť výrobok odoslaný alebo doručený do autorizovaného servisného strediska RYOBI, uvedeného pre každú krajinu v nasledovnom zozname adries servisných stredísk. V niektorých krajinách miestny zástupca RYOBI preberá na seba záväzok zaslať tovar do servisnej organizácie RYOBI. Pri odosielaní výrobku do servisného strediska RYOBI je potrebné výrobok bezpečne zabaliť bez akékoľvek nebezpečného obsahu, ako je bencín, s vyznačením adresy odosielaťa, s krátkym popisom poruchy.
- Oprava/výmena je vrátane tejto záruky bezplatná. Neznamená to predĺženie záruky alebo spustenie novej záručnej doby. Vymenené diely alebo nástroje sa stávajú našim vlastníctvom. V niektorých krajinách náklady na odoslanie alebo poštovné musí zaplatiť odosielať. Vaše zákonné práva, vyplývajúce z nákupu náradia, zostávajú nedotknuté.
- Táto záruka platí v Európskej únii, Švajčiarsku, Islande, Nórsku, Lichtenštajnsku, Turesku a Rusku. Ak sa nachádzate mimo týchto oblastí, obráťte sa na autorizovaného predajcu RYOBI na určenie, či sa dá uplatniť iná záruka.

AUTORIZOVANÉ SERVISNÉ CENTRUM

Ak chcete nájsť najbližšie autorizované servisné centrum, navštívte stránku <http://en.ryobitools.eu/header/service-and-support/service-agents>.

BG УСЛОВИЯ ЗА ВАЛИДНОСТ НА ГАРАНЦИЯТА НА RYOBI®

В допълнение към законоустановените права, произтичащи от покупката, този продукт е обхванат от гаранция, както е изложено по-долу.

- Гаранционният срок е 24 месеца за клиенти и започва да тече от деня на закупуване на продукта. Тази дата трябва да се докаже с фактура или друго доказателство за покупка. Продуктът е изработен и предназначен само за потребителска и лична употреба. Следователно не се дава гаранция в случай на използване от професионалисти или с търговска цел.
- Съществува възможност за удължаване на гаранционния срок за част от диапазона на гаранцията на електрически инструменти (AC/DC) след изчитане на описания тук чрез регистрация на уеб сайта www.ryobitools.eu. В магазините и/или на опаковката или вътре в документацията на продукта е показано ясно дали инструментът отговаря на условията за таква удължаване на гаранционния срок. Крайният потребител трябва да регистрира своите новопридобити инструменти онлайн в рамките на 30 дни от датата на покупка. Крайният потребител може да се регистрира за удължена гаранция в държавата си на пребиваване, ако е посочена във формуляра за онлайн регистрация като място, където тази опция е валидна. Освен това крайните потребители трябва да дадат съгласие си за съхранение на данните, които са задължителни за полъване онлайн, и трябва да приемат общите условия. Полученото потвърждение за регистрация, изпратено по електронна поща, и оригиналната фактура, показваща датата на покупка, ще служат като доказателство за удължената гаранция.
- Гаранцията покрива всички дефекти на продукта по време на гаранционния срок, които се дължат на проблеми в изработката или материалите към момента на покупката. Гаранцията е ограничена до ремонт и/или замяна и не включва други задължения, включително, но не само, случайни или косвени щети. Гаранцията е невалидна, ако продуктът е използван неправилно или в противоречие с ръководството с инструкции, както и ако е свързан неправилно. Тази гаранция не важи за:
 - щети по продукта в резултат на неправилна профилактика
 - продукти, които са били изменени или модифицирани
 - продукт, при който оригиналните маркировки за идентификация (търговска марка, серийн номер) са изтрили, променени или премахнати
 - повреда, причинена от неспазване на ръководството с инструкции
 - продукт без CE маркировка
 - продукт, за който е направен опит за ремонт от невалифициран специалист или без предварително разрешение от Techtronic Industries.
 - продукт, свързан към неподходящо електрохранване (ампераж, волтаж, честота)
 - щети, причинени от външни влияния (химични, физични, удари) или чужди вещества
 - нормално износване на резервни част
 - неподходяща употреба, претоварване на инструмента
 - използване на неподходящи аксесоари или части
 - Аксесоарите за електрическия инструмент са предоставени с инструмента или се купуват отделно. Тези изключения включват, но не само, найкрайници за отвертка, свердела, абразивни дискове, шкурка и остриета, страничен водач
 - Компоненти (части и аксесоари), подложени на естествено износване, включително, но не само, комплекти за обслужване и поддръжка, карбонови четки, лагери, патронки, приставка със средноло SDS или приемно устройство, ذخравна кабел, сломателна ръкохватка, кутия за транспортиране, шлифовъчна пластина, торба за прах, торба за отвеждане на прах, филцови шабiji, цифрове и пружини за винтоверти и др.
- За обслужване продуктът трябва да се изпрати или занесе на авторизирани сервиз на RYOBI, посочен за всяка държава в следния списък с адреси на сервизи. В някои държави местният търговец на RYOBI поема отговорността да изпрати продукта до сервизен център на RYOBI. При изпращане на продукт до сервиз на RYOBI той трябва да е опакован безопасно без опасност съдържание, напр. бензин, да е маркиран с адреса на подателя и придружен от кратко описание на повредата.
- Ремонтът/замяната по силата на тази гаранция са безплатни. Те не водят до удължаване или подновяване на гаранционния срок. Сменените части или инструменти стават наша собственост. В някои държави таксите за доставка или изпращане трябва да се платят от подателя. Законоустановените ви права, произтичащи от закупуването на инструмента, остават незапазени
- Тази гаранция е валидна в Европейската общност, Швейцария, Исландия, Норвегия, Лихтенщайн, Турция и Русия. Извън тези области се свържете с упълномощения търговец на RYOBI, за да се установи дали е приложима друга гаранция.

УПЪЛНОМОЩЕН СЕРВИЗЕН ЦЕНТЪР

За да намерите упълномощен сервизен център близо до вас, посетете <http://en.ryobitools.eu/header/service-and-support/service-agents>.

UK ГАРАНТИЙНИ УМОВИ ДЛЯ RYOBI®

Окрім загалом установлених законом прав, що стосуються покупки, цей пристрій покривається гарантією, що зазначено нижче.

- Гарантійний період для споживачів складає 24 місяці і починається з моменту придбання цього пристрою. Ця дата повинна бути задокументована у гарантійному талоні або чеку. Цей пристрій був розроблений і призначений тільки для комерційного та приватного використання. У разі професійного або комерційного використання цього пристрою, він втрачає гарантію.
- Існує можливість подовжити гарантійний період для частини лінійки електроінструментів (перемінного/постійного струму), понад період описаний вище за допомогою реєстрації на сайті www.ryobitools.eu. Пристрої, які мають право на подовження гарантійного періоду, мають чіткі позначки щодо цього в магазинах і / або на упаковці / та документації до пристрою. Кінцеві користувач повинен зареєструвати його/її новопридбаний пристрій онлайн протягом 30 днів з дати покупки. Кінцеві користувач повинні зареєструватися для подовження гарантійного періоду в своїй країні постійного перебування, якщо вона є доступною у відповідній опції онлайн форми реєстрації. Крім того, кінцеві користувачі повинні дати свою згоду на зберігання даних, які необхідні для введення онлайн, а також вони повинні прийняти правила та умови. Отримання підтвердження реєстрації, яке відправляється на адресу електронної пошти, та оригінал гарантійного талона із зазначеною датою покупки буде слугувати доказом подовженої гарантії.
- Гарантія поширюється на всі дефекти пристрою протягом гарантійного терміну щодо недотримання стандартів виробництва або матеріалів на дату придбання. Гарантія обмежується ремонтом та/або заміною, та не включає в себе будь-яких інших зобов'язань, в тому числі, але не обмежена у разі випадкових та подальших пошкоджень. Гарантія не діє, якщо пристрій використовувався неналежним чином, всупереч інструкції з експлуатації або був неправильно підключений до мережі. Дана гарантія не поширюється на:
 - пристрої, що були пошкоджені у результаті неправильного технічного обслуговування;
 - пристрої, що були видозмінені або модифіковані;
 - пристрої, оригінальне ідентифікаційне (товарний знак, серійний номер) маркування яких було пошкоджене, змінено або видалено;
 - будь-які пошкодження, заподіяні недотриманням інструкції з експлуатації;
 - пристрої, що не мають маркування CE;
 - пристрої, що були відремонтовані невалідованим фахівцем за відсутності попереднього дозволу від Techtronic Industries;
 - пристрої, підключені до невідповідного джерела живлення (сила току, напруження, частота);
 - будь-які пошкодження спричинені зовнішнім впливом (хімічним, фізичним, стрибком напруги) або сторонніми речовинами;
 - нормальну амортизацію запасних частин;
 - невідповідне використання, перевантаження пристрою;
 - використання не підтверджених запасних частин або аксесуарів;
 - прилада до електроінструменту, що постачається разом з пристроєм або купуються окремо. Такі винятки втрачують але не є обмеженнями для наконечників викрток, свердел, абразивних дисків, наждачного паперу та лез, бичних напрямних
 - компоненти (частини та прилади) з урахуванням нормального зношування, втрачуючи, але без обмеження на комплекти профілактики та технічного обслуговування, вузькі штиці, підшипники, патрони, кріплення або прийом SDS свердел, кабелі живлення, додаткові рукоятки, чохла для транспортування, шлифовальні пластини, мішки для збору пилу, трубки вилпопу, фетрові кільця, штири і пружини гайковерти і т.д.
- Для обслуговування, пристрій має бути відправлений або поданий до одного з авторизованих сервісних центрів RYOBI, які перелічені для кожної країни у наступному переліку адрес сервісних центрів. У деяких країнах місцевий дилер RYOBI зобов'язується виправити пристрій до сервісного центру RYOBI. При відправленні пристрою до сервісного центру RYOBI, пристрій має бути надійно упакований без будь-якого небезпечного вмісту, наприклад бензину, з позначеною адресою відправника та супроводжуватися коротким описом несправності.
- Ремонт і заміна відповідно до цієї гарантії здійснюється безкоштовно. Це не є основою для подовження або початку нового гарантійного періоду. Замінені частини або прилади переходять до власності компанії. У деяких країнах вартість доставки або поштової витрати повинні бути сплачені відправником. Загально встановлені права покупця на пристрій залишаються незмінними
- Ця гарантія діє в Європейському Союзі, Швейцарії, Ісландії, Норвегії, Лихтенштейні, Туреччині та Росії. За межами цих зон, будь ласка, зверніться до офіційного дилера RYOBI, щоб визначити, чи застосовується інша гарантія.

АВТОРИЗОВАНІ СЕРВІСНІ ЦЕНТРИ

Для отримання оновленого переліку авторизованих сервісних центрів, відвідайте <http://en.ryobitools.eu/header/service-and-support/service-agents>.

TR RYOBI® GARANTİ UYGULAMA KOŞULLARI

Alımdan kaynaklanan yasal haklara ek olarak, ürün aşağıda belirtilen garanti kapsamındadır.

1. Tüketiciler için 24 ay olan garanti süresi, ürünün satın alındığı tarihte başlar. Bu tarihin bir fatura ya da alım kanıtıyla belgelenmesi gerekir. Ürün sadece tüketim ve özel kullanım için geliştirilmiş ve adanmıştır. Bu nedenle, profesyonel ya da ticari kullanım halinde garanti kapsamı sağlanmaz.
2. Elektrikli el aletlerinin bir bölümü (AC/DC) için www.ryobitools.eu sayfasındaki kayıt işlemini kullanarak garantinin belirtilen süresinin ötesine uzatma imkanı mevcuttur. Aletlerin garanti süresinin uzatılmasına uygun olup olmadığı mağazalarda ve / veya ambalajda açıkça belirtilmiş olup, ürün dokümantasyonunda gösterilir. Son kullanıcıların yeni aldığı aletleri satın alma tarihini izleyen 30 gün içinde kaydetmesi gerekir. Son kullanıcı ikamet ettiği ülkede, bu seçeneğin geçerli olduğu çevrimiçi kayıt formunda belirtilmişse, uzatılmış garanti süresi için kayıt yapılabilir. Dahası, son kullanıcıların çevrimiçi giriş için gerekli verilerin kaydedilmesine izin vermesi ve hüküm ve koşulları kabul etmelidir. E-posta ile gönderilen kayıt formu mabzu ve alım tarihini gösteren orijinal fatura uzatılmış garantinin kanıtı olarak değerlendirilir.
3. Garanti, ürünün alım tarihindeki işçilik ve malzeme kusurları nedeniyle garanti süresi içinde oluşacak bütün arızaları kapsar. Bu garanti onarım ve değiştirilmeyle sınırlı olup, tesadüf ya da dolaylı hasarlar da dahil, ancak bunlarla kısıtlı olmayan başka hiçbir taahhüdü kapsamaz. Garanti, ürünün kötü, kullanici kılavuzuna aykırı kullanılması ya da yanlış bağlanmış olması halinde geçerli değildir. Bu garanti aşağıdaki gibi kapsamaz:
 - üründe, yanlış bakımdan kaynaklanan herhangi bir hasar
 - değiştirilmiş ya da modifiye edilmiş herhangi bir ürün
 - orijinal tanıtım işaretleri (ticari markası, seri numarası) silinmiş, değiştirilmiş ya da kaldırılmış herhangi bir ürün
 - kullanma kılavuzuna uymamaktan kaynaklanmış herhangi bir hasar
 - herhangi bir AT dışı ürün
 - kalifiye olmayan personel tarafından ya da önceden Techtronic Industries onayı alınmadan onarımlar herhangi bir ürün.
 - uygunsuz güç kaynağına (anlam, voltaj, frekans) bağlanmış herhangi bir ürün
 - harici etkenlerden (kimyasal, fiziksel, darbe) veya yabancı cisimlerden kaynaklanan her türlü hasar
 - normal aşınır ve yıpranır aksam
 - uygunsuz kullanım, aletin aşırı yüklenmesi
 - onaysız aksesuar veya parça kullanımı
 - Aletle birlikte sağlanmış ya da ayrıca alınmış elektrikli alet aksesuarları. Tornavida uçları, matkap uçları, aşındırıcı diskler, zımpara kağıdı ve bıçakları, yanal kılavuz gibi aksamı içeren, ancak bunlarla sınırlı olmayan eklentiler
 - Servis ve Bakım kitiyle, kömür fırçaları, yataklar, kovanlar, SDS matkap ucu bağlantısı ya da yuvaları, güç kabloları, yedek tutamak, nakliye ve taşıma kutusu, kumlamla plakası, toz torbası, toz egzoz borusu, keçe rondelleri, Darbeli Tornavida Pim ve yayları vb. gibi parçaları kapsayan, ancak bunlarla sınırlı olmayan, aşınma ve yıpranmaya tabi bileşenler (aksam ve aksesuarlar).
4. Ürünün servis için her ülkede aşağıdaki servis istasyonları adres listesinde yer alan yetkili bir RYOBI servis istasyonuna gönderilmesi ya götürülmesi gereklidir. Bazı ülkelerde, yerel RYOBI distribütörünüz ürünü RYOBI servise teşkilatına göndermeyi üstlenir. Bir ürün bir RYOBI servis istasyonuna gönderilirse, ürünün güvenli bir biçimde ambalajlanması, benzin gibi tehlikeli maddeler içermemesi, gönderenin adresini taşıması ve arızanın kısa bir açıklamasını içermesi gerekir.
5. Bu garanti kapsamında yapılacak onarım / değiştirilmiş ücretsizdir. Garanti süresinin uzatılması ya da yeniden başlatılması anlamına gelmez. Değiştirilmiş parçalar veya aletler bize ait olur. Bazı ülkelerde teslim ürettiği veya posta giderlerinin gönderici tarafından ödemesi gerekir. Alımdan kaynaklanan yasal haklarınız etkilenmez
6. Bu garanti Avrupa Topluluğu, İsviçre, İzlanda, Norveç, Liechtenstein, Türkiye ve Rusya'da geçerlidir. Bu alanların dışında, başka bir garantinin geçerli olup olmadığını belirlemek için lütfen yetkili RYOBI distribütörünüzle iletişime geçin.

YETKİLİ SERVİS MERKEZİ

En yakın yetkili servis merkezini öğrenmek için <http://en.ryobitools.eu/header/service-and-support/> adresinde veya <http://en.ryobitools.eu/header/service-and-support/> adresinde bulunabilirsiniz.

EL ÖRÖPİ ΕΦΑΡΜΟΓΗΣ ΤΩΝ ΠΡΟΫΠΟΘΕΣΕΩΝ ΕΓΓΥΗΣΗΣ ΤΗΣ RYOBI®

Εκτός από τα νόμιμα δικαιώματα, τα οποία προκύπτουν από την αγορά, το προϊόν καλύπτεται από εγγύηση, λεπτομέρειες της οποίας ακολουθούν στη συνέχεια.

1. Η διάρκεια της εγγύησης για τους καταναλωτές είναι 24 μήνες και αρχίζει από την ημερομηνία αγοράς. Η ημερομηνία θα πρέπει να αναγράφεται στην απόδειξη ή σε άλλο αποδεικτικό έγγραφο. Το προϊόν έχει σχεδιαστεί και προορίζεται αποκλειστικά για οικιακή χρήση από καταναλωτές. Συνεπώς, δεν παρέχεται εγγύηση σε περίπτωση επαγγελματικής ή εμπορικής χρήσης.
2. Υπάρχει η δυνατότητα επέκτασης της εγγύησης για ορισμένα ηλεκτρικά εργαλεία (AC/DC), πέραν του παραπάνω αναφερόμενου χρονικού διαστήματος, μέσω εγγραφής στο δικτυακό τόπο www.ryobitools.eu. Η επέκταση των εργαλείων με δυνατότητα επέκτασης της περιόδου εγγύησης αναγράφεται ρητά στα καταστήματα καλή επάνω στη συσκευασία, ενώ περιέχεται στην τεκμηρίωση του προϊόντος. Το τελικό χρήστη θα πρέπει να καταχωρήσει τα προσωπικά αποκτήθέντα εργαλεία online, εντός 30 ημερών από την ημερομηνία αγοράς. Ο τελικός χρήστης μπορεί να εγγραφεί για την επέκταση εγγύησης στη χώρα κατοικίας, εφόσον αυτή περιλαμβάνεται στο online έντυπο εγγραφής, εάν υπάρχει η δυνατότητα επέκτασης. Επιπλέον, οι τελικοί χρήστες θα πρέπει να παρέχουν τη συγκατάθεσή τους για την αποθήκευση των στοιχείων τους, τα οποία σφραγίζονται να καταχωρηθούν online, όπως και να αποθηκευθούν του όρους και τις προϋποθέσεις. Η απόδειξη επιβεβαίωσης της εγγραφής, η οποία αποστέλλεται μέσω email, και η πρωτότυπη απόδειξη αγοράς, η οποία αναγράφει την ημερομηνία αγοράς, αποτελούν αποδεικτικά της παρατεταμένης εγγύησης.
3. Η εγγύηση καλύπτει όλα τα ελαττώματα του προϊόντος, κατά τη διάρκεια της περιόδου εγγύησης, λόγω κατασκευαστικών ελαττωμάτων ή σφαλμάτων υλικού κατά την ημερομηνία αγοράς. Η εγγύηση περιλαμβάνει στην επισκευή και/ή την αντικατάσταση και δεν περιλαμβάνει καμία άλλη υπέρβαση, συμπεριλαμβανομένων, ενδεικτικά, συμπληρωματικών ή παρεπόμενων ζημιών. Η εγγύηση δεν ισχύει εφόσον, έχει σημειωθεί κακομεταχείριση του προϊόντος, δεν έχουν τηρηθεί οι οδηγίες του εγχειριδίου οδηγιών ή το προϊόν έχει συνδεθεί λανθασμένα. Η εγγύηση δεν ισχύει για:
 - οποιοδήποτε ζημία στο προϊόν, η οποία είναι αποτέλεσμα κακής συντήρησης
 - οποιοδήποτε προϊόν, το οποίο έχει αλλοιωθεί ή τροποποιηθεί
 - οποιοδήποτε προϊόν, στο οποίο έχει αλλοιωθεί, τροποποιηθεί ή αφαιρεθεί το γνήσιο αναγνωριστικό (σήμα κατατεθέν, σειριακός αριθμός)
 - οποιοδήποτε ζημία προκλήθηκε λόγω μη τήρησης του εγχειριδίου οδηγιών
 - οποιοδήποτε προϊόν χωρίς σήμανση CE
 - οποιοδήποτε προϊόν, στο οποίο έχει γίνει προσπάθεια επισκευής από μη καταρτισμένο επαγγελματία ή χωρίς την προηγούμενη έγκριση της Techtronic Industries.
 - οποιοδήποτε προϊόν, το οποίο έχει συνδεθεί σε ακατάλληλη παροχή ρεύματος (μητρε, ισχύ, συχνότητα)
 - οποιοδήποτε ζημία έχει προκλήσει από εξωτερικές επιδράσεις (χημικές, φυσικές, κλιματισμικές) ή ξένες ουσίες
 - φυσιολογική φθορά και ρήξη ανταλλακτικών
 - ακατάλληλη χρήση, υπερφόρτωση του εργαλείου
 - χρήση μη ενδεδειγμένων εξαρτημάτων ή ανταλλακτικών
 - Εξαρτήματα ηλεκτρικών εργαλείων που παρασχεθήκαν με το εργαλείο ή αγοράστηκαν ξεχωριστά. Τέτοιες εξαρτήσεις περιλαμβάνουν, ενδεικτικά, μύτες καταβίδου, τριπάνια, δίσκους λείανσης, γυαλοχάρτι και λεπίδες, πλευρικό οδηγό
 - Εξαρτήματα (ανταλλακτικά και αξεσουάρ) που υπόκεινται σε φυσική φθορά και θραύση, συμπεριλαμβανομένων, ενδεικτικά, σετ επισκευής & συντήρησης, ψηκτρών άνθρακα, εφεδρών, τσοκ, εξαρτημάτων ή υποδοχών τριπανιών SDS, καλωδίων ισχύος, βοηθητικής λαβής, βαλίστας μεταφοράς, βάσης τριβείου, σκαλοτάς συλλογής σκόνης, σωλήνα εξαγωγής σκόνης, ροβελιών τσάσας, μυτιών και ελατρίων κρωστήου κλειδίου κοχλίων, κτλ.
4. Το προϊόν θα πρέπει να αποσταλεί ή να παραδοθεί για επισκευή ή συντήρηση σε εξουσιοδοτημένο σημείο σέρβις της RYOBI που περιλαμβάνεται στον ακόλουθο κατάλογο διευθύνσεων για κάθε χώρα. Σε ορισμένες χώρες, το τοπικό σημείο πώλησης της RYOBI αναλαμβάνει την αποστολή του προϊόντος στο κεντρικό σέρβις της RYOBI. Κατά την αποστολή ενός προϊόντος σε σημείο σέρβις της RYOBI, αυτό θα πρέπει να είναι ασφαλισμένο συσκευασμένο, χωρίς επικίνδυνο περιεχόμενο, όπως, πετρέλαιο, να φέρει τη διεύθυνση του αποστολέα και να συνοδεύεται από σύντομη περιγραφή της βλάβης.
5. Η επιδιόρθωση / αντικατάσταση υπό την παρούσα εγγύηση παρέχεται δωρεάν. Δε συνιστά παράταση της περιόδου εγγύησης ή εκκίνηση νέας περιόδου εγγύησης. Τα μέρη που αντικαθίστανται περιέχονται στην κυριότητα μας. Σε ορισμένες χώρες, τα ενδεχόμενα έξοδα παράδοσης ή μεταφοράς βελών τον αποστολέα. Τα νόμιμα δικαιώματά σας, τα οποία απορρέουν από την αγορά του εργαλείου, δεν θίγονται.
6. Η παρούσα εγγύηση ισχύει στην Ευρωπαϊκή Κοινότητα, την Ελβετία, την Ιαλαβία, τη Νορβηγία, το Λιχτενστάιν, την Τουρκία και την Ρωσία. Εκτός των παραπάνω περιοχών, σας παρακαλούμε να επικοινωνήσετε με εξουσιοδοτημένο κατάστημα πώλησης της RYOBI, προκειμένου να διαπιστωθεί ένα ισχύει κάποια άλλη εγγύηση.

ΕΞΟΥΣΙΟΔΟΤΗΜΕΝΟ ΚΕΝΤΡΟ ΣΕΡΒΙΣ

Για να εντοπίσετε ένα εξουσιοδοτημένο κέντρο σέρβις στην περιοχή σας, επισκεφτείτε τη σελίδα <http://en.ryobitools.eu/header/service-and-support/> service-agents.



EN DECLARATION OF CONFORMITY

Techtronic Industries GmbH
Max-Eyth-Straße 10, 71364 Winnenden, Germany

Herewith we declare that the product

18 Volt Wet / Dry Tile Saw
Brand: RYOBI
Model number: LTS180
Serial number range: 44404803000001 - 44404803999999

is in conformity with the following European Directives and harmonised standards

2006/42/EC, 2014/30/EU, 2011/65/EU
EN 55014-1:2006+A1:2009+A2:2011, EN 55014-2:2015
EN 60745-1:2009+A11:2010, EN 60745-2-22:2011+A11:2013

RoHS documentation is compiled according to EN 50581:2012

Andrew John Eyre (BEng, CEng, MIET)
Vice President, Regulatory & Safety
Winnenden, Sep. 29, 2017



Authorised to compile the technical file:

Alexander Krug, Managing Director
Techtronic Industries GmbH
Max-Eyth-Straße 10, 71364 Winnenden, Germany

FR DÉCLARATION DE CONFORMITÉ

Techtronic Industries GmbH
Max-Eyth-Straße 10, 71364 Winnenden, Germany

Déclarons par la présente que le produit

Scie Coupe-Carrelage À Eau / À Sec 18 Volt
Marque: RYOBI
Numéro de modèle: LTS180
Étendue des numéros de série: 44404803000001 - 44404803999999

est conforme aux Directives Européennes et Normes Harmonisées suivantes

2006/42/EC, 2014/30/EU, 2011/65/EU
EN 55014-1:2006+A1:2009+A2:2011, EN 55014-2:2015
EN 60745-1:2009+A11:2010, EN 60745-2-22:2011+A11:2013

La documentation RoHS a été dressée d'après EN 50581:2012

Andrew John Eyre (BEng, CEng, MIET)
Vice President, Regulatory & Safety
Winnenden, Sep. 29, 2017



Autorisé à rédiger le dossier technique:

Alexander Krug, Managing Director
Techtronic Industries GmbH
Max-Eyth-Straße 10, 71364 Winnenden, Germany

DE KONFORMITÄTSERKLÄRUNG

Techtronic Industries GmbH
Max-Eyth-Straße 10, 71364 Winnenden, Germany

Hiermit erklären wir, dass die Produkte

18 Volt Nass / Trocken Fliesenschneider
Marke: RYOBI
Modellnummer: LTS180
Seriennummernbereich: 44404803000001 - 44404803999999

den folgenden europäischen Richtlinien und harmonisierten Normen entspricht

2006/42/EC, 2014/30/EU, 2011/65/EU
EN 55014-1:2006+A1:2009+A2:2011, EN 55014-2:2015
EN 60745-1:2009+A11:2010, EN 60745-2-22:2011+A11:2013

RoHS Dokumentation ist gemäß EN 50581:2012 zusammengestellt

Andrew John Eyre (BEng, CEng, MIET)
Vice President, Regulatory & Safety
Winnenden, Sep. 29, 2017



Autorisiert die technische Datei zu erstellen:

Alexander Krug, Managing Director
Techtronic Industries GmbH
Max-Eyth-Straße 10, 71364 Winnenden, Germany

ES DECLARACIÓN DE CONFORMIDAD

Techtronic Industries GmbH
Max-Eyth-Straße 10, 71364 Winnenden, Germany

Por la presente declaramos que los productos

Sierra Húmeda / Seca De 18 Volt Para Azulejos
Marca: RYOBI
Número de modelo: LTS180
Intervalo del número de serie: 44404803000001 - 44404803999999

se encuentra en conformidad con las siguientes Directivas Europeas y normas armonizadas

2006/42/EC, 2014/30/EU, 2011/65/EU
EN 55014-1:2006+A1:2009+A2:2011, EN 55014-2:2015
EN 60745-1:2009+A11:2010, EN 60745-2-22:2011+A11:2013

Documentación sobre restricción de sustancias peligrosas (RoHS) recopilada según la norma EN 50581:2012

Andrew John Eyre (BEng, CEng, MIET)
Vice President, Regulatory & Safety
Winnenden, Sep. 29, 2017



Autorizado para elaborar la ficha técnica:

Alexander Krug, Managing Director
Techtronic Industries GmbH
Max-Eyth-Straße 10, 71364 Winnenden, Germany

IT DICHIARAZIONE DI CONFORMITÀ

Techtronic Industries GmbH
Max-Eyth-Straße 10, 71364 Winnenden, Germany

Si dichiara con la presente che il prodotto

Taglierina Per Piastrelle Da 18V Per Taglio Umido / A Secco
Marca: RYOBI
Numero modello: LTS180
Gamma numero seriale: 44404803000001 - 44404803999999

è conforme alle seguenti Direttive Europee e ai seguenti standard armonizzati

2006/42/EC, 2014/30/EU, 2011/65/EU
EN 55014-1:2006+A1:2009+A2:2011, EN 55014-2:2015
EN 60745-1:2009+A11:2010, EN 60745-2-22:2011+A11:2013

La documentazione RoHS è stata compilata come indicato dalle norme EN 50581:2012

Andrew John Eyre (BEng, CEng, MIET)
Vice President, Regulatory & Safety
Winnenden, Sep. 29, 2017



Autorizzato per compilare il file tecnico:

Alexander Krug, Managing Director
Techtronic Industries GmbH
Max-Eyth-Straße 10, 71364 Winnenden, Germany

NL CONFORMITEITSVERKLARING

Techtronic Industries GmbH
Max-Eyth-Straße 10, 71364 Winnenden, Germany

Hierbij verklaren wij dat het product

18 Volt Natte / Droge Tegeltaagmachine
Merk: RYOBI
Modelnummer: LTS180
Serienummerbereik: 44404803000001 - 44404803999999

is in overeenstemming met de volgende Europese Richtlijnen en geharmoniseerde normen

2006/42/EC, 2014/30/EU, 2011/65/EU
EN 55014-1:2006+A1:2009+A2:2011, EN 55014-2:2015
EN 60745-1:2009+A11:2010, EN 60745-2-22:2011+A11:2013

RoHS-documentatie is samengesteld in overeenstemming met EN 50581:2012

Andrew John Eyre (BEng, CEng, MIET)
Vice President, Regulatory & Safety
Winnenden, Sep. 29, 2017



Afgevaardigde voor het samenstellen van de technische fiche:

Alexander Krug, Managing Director
Techtronic Industries GmbH
Max-Eyth-Straße 10, 71364 Winnenden, Germany





(PT) DECLARAÇÃO DE CONFORMIDADE

Technronic Industries GmbH
Max-Eyth-Straße 10, 71364 Winnenden, Germany

Pelo presente declaramos que os produtos
Serra Para Ladrilho A Húmido / Seco De 18 Volts
Marca: RYOBI
Número do modelo: LTS180
Intervalo do número de série: 44404803000001 - 44404803999999

se encontra em conformidade com as seguintes Directivas Europeias e normas harmonizadas
2006/42/EC, 2014/30/EU, 2011/65/EU
EN 55014-1:2006+A1:2009+A2:2011, EN 55014-2:2015
EN 60745-1:2009+A11:2010, EN 60745-2-22:2011+A11:2013
Documentação sobre restrição de substâncias perigosas (RoHS) compilada segundo a norma EN 50581:2012

Andrew John Eyre
Andrew John Eyre (BEng, CEng, MIET)
Vice President, Regulatory & Safety
Winnenden, Sep. 29, 2017

Autorizado para compilar o ficheiro técnico:
Alexander Krug, Managing Director
Technronic Industries GmbH
Max-Eyth-Straße 10, 71364 Winnenden, Germany

(DA) OVERENSSTEMMELSEERKLÆRING

Technronic Industries GmbH
Max-Eyth-Straße 10, 71364 Winnenden, Germany

Vi erklærer hermed, at produktet
18 Volt Våd / Tørr Flisesag
Brand: RYOBI
Modelnummer: LTS180
Serienummerområde: 44404803000001 - 44404803999999

er i overensstemmelse med følgende EU-direktiver og harmoniserede standarder
2006/42/EC, 2014/30/EU, 2011/65/EU
EN 55014-1:2006+A1:2009+A2:2011, EN 55014-2:2015
EN 60745-1:2009+A11:2010, EN 60745-2-22:2011+A11:2013
RoHS-dokumentationen er udarbejdet i henhold til EN 50581:2012

Andrew John Eyre
Andrew John Eyre (BEng, CEng, MIET)
Vice President, Regulatory & Safety
Winnenden, Sep. 29, 2017

Bemyndiget til at udarbejde det tekniske kartotek:
Alexander Krug, Managing Director
Technronic Industries GmbH
Max-Eyth-Straße 10, 71364 Winnenden, Germany

(SV) KONFORMITETSDEKLARATION

Technronic Industries GmbH
Max-Eyth-Straße 10, 71364 Winnenden, Germany

Härmed deklarerar vi att produkterna
18 Volt Våt / Torr kalkkap
Märke: RYOBI
Modellnummer: LTS180
Serienummerintervall: 44404803000001 - 44404803999999

är i enlighet med följande EU-direktiv och harmoniserade standarder
2006/42/EC, 2014/30/EU, 2011/65/EU
EN 55014-1:2006+A1:2009+A2:2011, EN 55014-2:2015
EN 60745-1:2009+A11:2010, EN 60745-2-22:2011+A11:2013
RoHS-dokumentation sammanställd enligt EN 50581:2012

Andrew John Eyre
Andrew John Eyre (BEng, CEng, MIET)
Vice President, Regulatory & Safety
Winnenden, Sep. 29, 2017

Godkänd att sammanställa den tekniska filen:
Alexander Krug, Managing Director
Technronic Industries GmbH
Max-Eyth-Straße 10, 71364 Winnenden, Germany

(FI) SÄÄNNÖSTEN NOUDATTAMINEN

Technronic Industries GmbH
Max-Eyth-Straße 10, 71364 Winnenden, Germany

Ilmoitamme täten, että tuotteet
18 Voltin Märkä / Kuiva Tiilisaha
Tuotemerkki: RYOBI
 Mallinumero: LTS180
Sarjanumeroluue: 44404803000001 - 44404803999999

noudattaa seuraavia EU-direktiivejä ja harmonoituja standardeja
2006/42/EC, 2014/30/EU, 2011/65/EU
EN 55014-1:2006+A1:2009+A2:2011, EN 55014-2:2015
EN 60745-1:2009+A11:2010, EN 60745-2-22:2011+A11:2013
RoHS-dokumentaatio on koottu standardin EN 50581:2012 mukaisesti

Andrew John Eyre
Andrew John Eyre (BEng, CEng, MIET)
Vice President, Regulatory & Safety
Winnenden, Sep. 29, 2017

Valtuutettu kokoamaan tekninen tiedosto:
Alexander Krug, Managing Director
Technronic Industries GmbH
Max-Eyth-Straße 10, 71364 Winnenden, Germany

(NO) SAMSVARSERKLÆRING

Technronic Industries GmbH
Max-Eyth-Straße 10, 71364 Winnenden, Germany

Herved erklærer vi at produktet
18 Volt Våt / Tørr Flissag
Merke: RYOBI
Modelnummer: LTS180
Serienummerserie: 44404803000001 - 44404803999999

er i samsvar med følgende europeiske direktiver og harmoniserte standarder
2006/42/EC, 2014/30/EU, 2011/65/EU
EN 55014-1:2006+A1:2009+A2:2011, EN 55014-2:2015
EN 60745-1:2009+A11:2010, EN 60745-2-22:2011+A11:2013
RoHS dokumentasjonen er skrevet i samsvar med EN 50581:2012

Andrew John Eyre
Andrew John Eyre (BEng, CEng, MIET)
Vice President, Regulatory & Safety
Winnenden, Sep. 29, 2017

Autorisert til å sette sammen den tekniske filen:
Alexander Krug, Managing Director
Technronic Industries GmbH
Max-Eyth-Straße 10, 71364 Winnenden, Germany

(RU) ЗАЯВЛЕНИЕ О СООТВЕТСТВИИ ТРЕБОВАНИЯМ

Technronic Industries GmbH
Max-Eyth-Straße 10, 71364 Winnenden, Germany

Настоящим мы заявляем, что данный продукт
Пила Для Резания Плитки (Сухого И Со Смачиванием), 18 В
Марка: RYOBI
Номер модели: LTS180
Диапазон заводских номеров: 44404803000001 - 44404803999999

соответствует требованиям следующих Директив ЕС и согласованных стандартов
2006/42/EC, 2014/30/EU, 2011/65/EU
EN 55014-1:2006+A1:2009+A2:2011, EN 55014-2:2015
EN 60745-1:2009+A11:2010, EN 60745-2-22:2011+A11:2013
Документация RoHS соответствует стандарту EN 50581:2012

Andrew John Eyre
Andrew John Eyre (BEng, CEng, MIET)
Vice President, Regulatory & Safety
Winnenden, Sep. 29, 2017

Лицо, ответственное за подготовку технической документации:
Alexander Krug, Managing Director
Technronic Industries GmbH
Max-Eyth-Straße 10, 71364 Winnenden, Germany





PL DEKLARACJA ZGODNOŚCI

Techtronic Industries GmbH
Max-Eyth-Straße 10, 71364 Winnenden, Germany

Niniejszym deklarujemy, że produkty

18W Akumulatorowa Pila Do Cięcia Plytek (Na Sucho I Mokro)
Marka: RYOBI
Numer modelu: LTS180
Zakres numerów seryjnych: 44404803000001 - 44404803999999

jest zgodny z następującymi dyrektywami europejskimi i zharmonizowanymi normami

2006/42/EC, 2014/30/EU, 2011/65/EU
EN 55014-1:2006+A1:2009+A2:2011, EN 55014-2:2015
EN 60745-1:2009+A11:2010, EN 60745-2-22:2011+A11:2013

Dokumentacja RoHS została opracowana zgodnie z normą EN 50581:2012

Andrew John Eyre (BEng, CEng, MIET)
Vice President, Regulatory & Safety
Winnenden, Sep. 29, 2017

Osoba upoważniona do sporządzenia dokumentu technicznego:

Alexander Krug, Managing Director
Techtronic Industries GmbH
Max-Eyth-Straße 10, 71364 Winnenden, Germany

CS PROHLÁŠENÍ O SHODĚ

Techtronic Industries GmbH
Max-Eyth-Straße 10, 71364 Winnenden, Germany

Tímto prohlašujeme, že výrobky

18 Voltová Pila Pro Suché / Mokré Řezání Dlaždic
Značka: RYOBI
Číslo modelu: LTS180
Rozsah sériových čísel: 44404803000001 - 44404803999999

že tento výrobek je v souladu s evropskými a harmonizovanými standardy

2006/42/EC, 2014/30/EU, 2011/65/EU
EN 55014-1:2006+A1:2009+A2:2011, EN 55014-2:2015
EN 60745-1:2009+A11:2010, EN 60745-2-22:2011+A11:2013.

RoHS dokumentace sestavena dle EN 50581:2012

Andrew John Eyre (BEng, CEng, MIET)
Vice President, Regulatory & Safety
Winnenden, Sep. 29, 2017

Pověření ke kompilaci technického souboru:

Alexander Krug, Managing Director
Techtronic Industries GmbH
Max-Eyth-Straße 10, 71364 Winnenden, Germany

HU MEGFELELŐSÉGI NYILATKOZAT

Techtronic Industries GmbH
Max-Eyth-Straße 10, 71364 Winnenden, Germany

Ezúton kijelentjük, hogy a termék

18 Voltos Száraz / Nedves Csempevágó
Márka: RYOBI
Típuszám: LTS180
Sorozatszám tartomány: 44404803000001 - 44404803999999

megfelel az alábbi Európai irányelvek és harmonizált szabványok vonatkozó rendelkezéseinek

2006/42/EC, 2014/30/EU, 2011/65/EU
EN 55014-1:2006+A1:2009+A2:2011, EN 55014-2:2015
EN 60745-1:2009+A11:2010, EN 60745-2-22:2011+A11:2013

A RoHS dokumentáció összeállítására az EN 50581:2012 szerint történt

Andrew John Eyre (BEng, CEng, MIET)
Vice President, Regulatory & Safety
Winnenden, Sep. 29, 2017

A műszaki dokumentáció összeállítására felhatalmazott:

Alexander Krug, Managing Director
Techtronic Industries GmbH
Max-Eyth-Straße 10, 71364 Winnenden, Germany

RO DECLARAȚIE DE CONFORMITATE

Techtronic Industries GmbH
Max-Eyth-Straße 10, 71364 Winnenden, Germany

Prin prezenta, declarăm că produsele

Mașină De Tăiat Cu Disc Diamantat Umed / Uscat De 18 Volți
Marcă: RYOBI
Număr serie: LTS180
Gamă număr serie: 44404803000001 - 44404803999999

este în conformitate cu următoarele Directive Europene și standarde armonizate

2006/42/EC, 2014/30/EU, 2011/65/EU
EN 55014-1:2006+A1:2009+A2:2011, EN 55014-2:2015
EN 60745-1:2009+A11:2010, EN 60745-2-22:2011+A11:2013

Documentația RoHS este întocmită în conformitate cu EN 50581:2012

Andrew John Eyre (BEng, CEng, MIET)
Vice President, Regulatory & Safety
Winnenden, Sep. 29, 2017

Autorizat să completeze fișa tehnică:

Alexander Krug, Managing Director
Techtronic Industries GmbH
Max-Eyth-Straße 10, 71364 Winnenden, Germany

LV ATBILSTĪBAS DEKLARĀCIJA

Techtronic Industries GmbH
Max-Eyth-Straße 10, 71364 Winnenden, Germany

Ar Šo Paziņojam, Ka Produkti

18 V Mitru / Sausu Filzu Zāģis
Zīmols: RYOBI
Modeļa numurs: LTS180
Sērijas numura intervāls: 44404803000001 - 44404803999999

atbilst šādām Eiropas direktīvām un saskaņotajiem standartiem

2006/42/EC, 2014/30/EU, 2011/65/EU
EN 55014-1:2006+A1:2009+A2:2011, EN 55014-2:2015
EN 60745-1:2009+A11:2010, EN 60745-2-22:2011+A11:2013

RoHS dokumentācija ir izstrādāta saskaņā ar EN 50581:2012

Andrew John Eyre (BEng, CEng, MIET)
Vice President, Regulatory & Safety
Winnenden, Sep. 29, 2017

Plinvarots sastādīt tehnisko failu:

Alexander Krug, Managing Director
Techtronic Industries GmbH
Max-Eyth-Straße 10, 71364 Winnenden, Germany

LT ATITIKTIES PAREIŠKIMAS

Techtronic Industries GmbH
Max-Eyth-Straße 10, 71364 Winnenden, Germany

Mes Pareiškiame, Kad Šie Produktai

18 Voltų Plytelių Pjovimo Staklės Pjovimui Sausu / Šlapiu Būdu
Prekės ženklas: RYOBI
Modelio numeris: LTS180
Serijinio numerio diapazonas: 44404803000001 - 44404803999999

pagamintas laikantis toliau nurodytųjų Europos Direktyvų ir darniųjų standartų

2006/42/EC, 2014/30/EU, 2011/65/EU
EN 55014-1:2006+A1:2009+A2:2011, EN 55014-2:2015
EN 60745-1:2009+A11:2010, EN 60745-2-22:2011+A11:2013

Tam tikrų pavojingų medžiagų naudojimo elektros ir elektroninėje įrangoje aprašo bei joje pateiktai sudaryti pagal standartą EN 50581:2012

Andrew John Eyre (BEng, CEng, MIET)
Vice President, Regulatory & Safety
Winnenden, Sep. 29, 2017

Įgaliotas sudaryti techninį failą:

Alexander Krug, Managing Director
Techtronic Industries GmbH
Max-Eyth-Straße 10, 71364 Winnenden, Germany





ET VASTAVUSDEKLARATSIOON

Techtronic Industries GmbH
Max-Eyth-Straße 10, 71364 Winnenden, Germany

Kinnitame, et see toode

Plaadi Märg / Kuivsaag 18 Volti
Mark: RYOBI
Mudeli number: LTS180
Seerianumbri vahemik: 44404803000001 - 44404803999999

vastab järgmistele Euroopa direktiividele ja harmoniseeritud standarditele

2006/42/EC, 2014/30/EU, 2011/65/EU
EN 55014-1:2006+A1:2009+A2:2011, EN 55014-2:2015
EN 60745-1:2009+A11:2010, EN 60745-2-22:2011+A11:2013

RoHS dokumendid on koostatud vastavuses standardi EN 50581:2012 nõuetele.

Andrew John Eyre (BEng, CEng, MIET)
Vice President, Regulatory & Safety
Winnenden, Sep. 29, 2017

Tehnilise faili koostamiseks volitatud isik:

Alexander Krug, Managing Director
Techtronic Industries GmbH
Max-Eyth-Straße 10, 71364 Winnenden, Germany

SK PREHLÁSENIE O ZHODE

Techtronic Industries GmbH
Max-Eyth-Straße 10, 71364 Winnenden, Germany

Týmto vyhlasujeme, že výrobok

18 V Pilka Na Dlačice Pre Mokré / Suché Rezanie
Značka: RYOBI
Číslo modelu: LTS180
Rozsah sériových čísel: 44404803000001 - 44404803999999

je v súlade s nasledujúcimi Európskymi smernicami a harmonizovanými normami

2006/42/EC, 2014/30/EU, 2011/65/EU
EN 55014-1:2006+A1:2009+A2:2011, EN 55014-2:2015
EN 60745-1:2009+A11:2010, EN 60745-2-22:2011+A11:2013

Dokumentácia RoHS je zostavená podľa EN 50581:2012

Andrew John Eyre (BEng, CEng, MIET)
Vice President, Regulatory & Safety
Winnenden, Sep. 29, 2017

Oprávnená osoba na zostavenie technického súboru:

Alexander Krug, Managing Director
Techtronic Industries GmbH
Max-Eyth-Straße 10, 71364 Winnenden, Germany

HR IZJAVA O USKLAĐENOSTI

Techtronic Industries GmbH
Max-Eyth-Straße 10, 71364 Winnenden, Germany

Ovime izjavljujemo da su proizvodi

Mokro/Suha Pila Za Pločice Od 18 Volti
Marka: RYOBI
Broj modela: LTS180
Raspon serijskog broja: 44404803000001 - 44404803999999

usklađena sa sljedećim Europskim Direktivama i usklađenim normama

2006/42/EC, 2014/30/EU, 2011/65/EU
EN 55014-1:2006+A1:2009+A2:2011, EN 55014-2:2015
EN 60745-1:2009+A11:2010, EN 60745-2-22:2011+A11:2013

RoHS dokumentacija sukladna je EN 50581:2012

Andrew John Eyre (BEng, CEng, MIET)
Vice President, Regulatory & Safety
Winnenden, Sep. 29, 2017

Ovlašten da sastavi tehničku datoteku:

Alexander Krug, Managing Director
Techtronic Industries GmbH
Max-Eyth-Straße 10, 71364 Winnenden, Germany

BG ДЕКЛАРАЦИЯ НА ЗА СЪОТВЕТСТВИЕ

Techtronic Industries GmbH
Max-Eyth-Straße 10, 71364 Winnenden, Germany

С настоящето декларираме, че продуктите

18 V циркуляр за сухо/мокро рязане на плочки
Марка: RYOBI
Номер на модела: LTS180
Обхват на серийния номер: 44404803000001 - 44404803999999

отговаря на следните директиви на ЕС и хармонизирани стандарти

2006/42/EC, 2014/30/EU, 2011/65/EU
EN 55014-1:2006+A1:2009+A2:2011, EN 55014-2:2015
EN 60745-1:2009+A11:2010, EN 60745-2-22:2011+A11:2013

Документацията за RoHS е съставена в съответствие с EN 50581:2012.

Andrew John Eyre (BEng, CEng, MIET)
Вицепрезидент, Правни Услуги И Безопасност
Winnenden, Sep. 29, 2017

Упълномощено лице за съставяне на техническия файл:

Alexander Krug, Изпълнителен Директор
Techtronic Industries GmbH
Max-Eyth-Straße 10, 71364 Winnenden, Germany

SL IZJAVA O SKLADNOSTI

Techtronic Industries GmbH
Max-Eyth-Straße 10, 71364 Winnenden, Germany

Izjavljamo, da je izdelek

18-Voltni Mokra / Suha Žaga Za Ploščice
Znamka: RYOBI
Številka modela: LTS180
Razpon serijskih števil: 44404803000001 - 44404803999999

v skladu s sledečimi evropskimi direktivami in harmoniziranimi standardi

2006/42/EC, 2014/30/EU, 2011/65/EU
EN 55014-1:2006+A1:2009+A2:2011, EN 55014-2:2015
EN 60745-1:2009+A11:2010, EN 60745-2-22:2011+A11:2013

Dokumentacija RoHS je sestavljena skladno s standardom EN 50581:2012

Andrew John Eyre (BEng, CEng, MIET)
Vice President, Regulatory & Safety
Winnenden, Sep. 29, 2017

Pooblaščenca oseba za sestavo tehnične dokumentacije:

Alexander Krug, Managing Director
Techtronic Industries GmbH
Max-Eyth-Straße 10, 71364 Winnenden, Germany

UK ДЕКЛАРАЦИЯ ПРО ВІДПОВІДНІСТЬ

Techtronic Industries GmbH
Max-Eyth-Straße 10, 71364 Winnenden, Germany

При цьому ми заявляємо, що продукт

Верстат сухого / вологого різку плитки 18В
Марка: RYOBI
Номер моделі: LTS180
Діапазон серійного номеру: 44404803000001 - 44404803999999

у відповідності з наступними європейськими директивами та гармонізованими стандартами

2006/42/EC, 2014/30/EU, 2011/65/EU
EN 55014-1:2006+A1:2009+A2:2011, EN 55014-2:2015
EN 60745-1:2009+A11:2010, EN 60745-2-22:2011+A11:2013

Документація RoHS складена відповідно до EN 50581:2012

Andrew John Eyre (BEng, CEng, MIET)
Вице-президент, регулювання і безпека
Winnenden, Sep. 29, 2017

Дозвіл на складання технічного файла:

Alexander Krug, Керуючий директор
Techtronic Industries GmbH
Max-Eyth-Straße 10, 71364 Winnenden, Germany



TR UYGUNLUK BEYANI

Techtronic Industries GmbH
Max-Eyth-Straße 10, 71364 Winnenden, Germany

Böylelikle beyan ederiz ki; ürün
18 Volt Islak / Kuru Fayans Testeresi
Marka: RYOBI
Model numarası: LTS180
Seri numarası aralığı: 44404803000001 - 44404803999999

aşağıdaki Avrupa Direktifleri ve uyumlaştırılmış standartlara uygundur
2006/42/EC, 2014/30/EU, 2011/65/EU
EN 55014-1:2006+A1:2009+A2:2011, EN 55014-2:2015
EN 60745-1:2009+A11:2010, EN 60745-2-22:2011+A11:2013
RoHS belgeleri EN 50581:2012 uyarınca derlenmiştir



Andrew John Eyre (BEng, CEng, MIET)
Vice President, Regulatory & Safety
Winnenden, Sep. 29, 2017

CE

Teknik dosya hazırlamaya yetkilidir:
Alexander Krug, Managing Director
Techtronic Industries GmbH
Max-Eyth-Straße 10, 71364 Winnenden, Germany

EL ΔΗΛΩΣΗ ΣΥΜΜΟΡΦΩΣΗΣ

Techtronic Industries GmbH
Max-Eyth-Straße 10, 71364 Winnenden, Germany

Δια του παρόντος δηλώνουμε ότι το προϊόν
ΚΟΠΗΣ ΥΓΡΩΝ / ΣΤΕΓΝΩΝ ΠΛΑΚΑΚΙΩΝ 18 VOLT
Μάρκα: RYOBI
Αριθμός μοντέλου: LTS180
Εύρος σειριακών αριθμών: 44404803000001 - 44404803999999

είναι σύμφωνο με τις παρακάτω Ευρωπαϊκές Οδηγίες και εναρμονισμένα πρότυπα

2006/42/EC, 2014/30/EU, 2011/65/EU
EN 55014-1:2006+A1:2009+A2:2011, EN 55014-2:2015
EN 60745-1:2009+A11:2010, EN 60745-2-22:2011+A11:2013

Τα έγγραφα RoHS συντάσσονται σύμφωνα με το EN 50581:2012



Andrew John Eyre (BEng, CEng, MIET)
Vice President, Regulatory & Safety
Winnenden, Sep. 29, 2017

CE

Εξουσιοδοτημένο άτομο για σύνταξη τεχνικού αρχείου:
Alexander Krug, Managing Director
Techtronic Industries GmbH
Max-Eyth-Straße 10, 71364 Winnenden, Germany

Techtronic Industries GmbH
Max-Eyth-Straße 10,
71364 Winnenden, Germany

961152907-01