

RYOBI®



EN
FR
DE
ES
IT
NL
PT
DA
SV
FI
NO
RU
PL
CS
HU
RO
LV
LT
ET
HR
SL
SK
BG
UK
TR
EL

RDP102L





Important!	It is essential that you read the instructions in this manual before assembling, maintaining and operating the product.
Attention!	Il est essentiel que vous lisiez les instructions contenues dans ce manuel avant d'assembler, d'entretenir et d'utiliser le produit.
Achtung!	Es ist wichtig, dass Sie vor Zusammenbau, Wartung und Benutzung des Produktes die Anweisungen in dieser Anleitung lesen.
¡Atención!	Resulta fundamental que lea este manual de instrucciones antes de realizar el montaje, el mantenimiento y de utilizar este producto
Attenzione!	E' importante leggere le istruzioni contenute nel presente manuale prima di montare il prodotto, svolgere le operazioni di manutenzione sullo stesso e metterlo in funzione.
Let op!	Het is van essentieel belang dat u de instructies in deze gebruiksaanwijzing leest voor u het product monteert, onderhoudt en gebruikt.
Atenção!	É fundamental que leia as instruções deste manual antes da montagem, manutenção e operação do aparelho.
OBS!	Det er vigtigt, at man læser instrukserne i denne brugsanvisning, inden man samler, vedligeholder og betjener produktet.
Observera!	Det är viktigt att du läser instruktionerna i manualen före montering, användning och underhåll av produkten.
Huomio!	On tärkeää, että luet tämän käsikirjan ohjeet ennen tuotteen kokoamista, huoltoa ja käyttöä.
Advarell!	Det er viktig at du leser instruksjonene i denne manualen før sammensetning, vedlikehold og bruk av produktet
Внимание!	Необходимо прочитать инструкции в данном руководстве перед сборкой, обслуживанием и эксплуатацией этого изделия.
Uwaga!	KoniecznIE nalezy przeczytać instrukcje zawarte w tym podręczniku przed montażem, obsługą oraz konserwacją produktu.
Důležité upozornění!	Neinstalujte, neprovádějte údržbu ani nepoužívejte tento výrobek dříve, než si přečtete pokyny uvedené v tomto návodu.
Figyelem!	Fontos, hogy a termék összeszerelése, karbantartása és használata előtt elolvassa a kézikönyvben található utasításokat.
Atenție!	Este esențial să citiți instrucțiunile din acest manual înainte de asamblare, efectuarea întreinerii și operarea produsului.
Uzmanību!	Ir svarīgi izlasīt šīs rokasgrāmatas instrukcijas pirms uzstādīšanas, apkopes un precēs darbināšanas.
Dėmesio!	Prieš surenkant, prižiūrint ir naudojant gaminį, būtina perskaityti šiame vadove pateiktus nurodymus.
Tähtis!	Enne masina kokkupanekut, hooldamist ja kasutama hakkamist tuleb käesolevas juhendis esitatud juhised kindlasti läbi lugeda.
Upozorenje!	Vrlo je važno da ste prije sklapanja, održavanja i rada s ovim proizvodom pročitali upute u ovom priručniku.
Pomembno!	Pomembno je da pred montažo vzdrževanjem in uporabo tega izdelka preberete navodila v tem priločniku.
Upzornenie!	Je dôležité, aby ste si pred montážou, údržbou a obsluhou produktu prečítali pokyny v tomto návode.
Важно!	ИЗКЛЮЧИТЕЛНО ВАЖНО Е ДА ПРОЧЕТЕТЕ ИНСТРУКЦИТЕ В НАСТОЯЩОТО РЪКОВОДСТВО, ПРЕДИ ДА ПРЕМИНЕТЕ КЪМ СГЛОБЯВАНЕ, ПОДДРЪЖКА ИЛИ РАБОТА С ПРОДУКТА.
Важливо!	Дуже важливо, щоб ви прочитали інструкції в цьому керівництві перед складанням, обслуговуванням та експлуатацією цієї машини.
Dikkat!	Ürünün montajını, bakımını yapmadan ve ürünü çalıştırmadan önce bu kılavuzda yer alan talimatları okumanız önemlidir.
Προσοχή!	Είναι πολύ σημαντικό να διαβάσετε τις οδηγίες στο παρόν εγχειρίδιο πριν συναρμολογήσετε, συντηρήσετε ή λειτουργήσετε το προϊόν.

Subject to technical modification | Sous réserve de modifications techniques | Technische Änderungen vorbehalten | Bajo reserva de modificaciones técnicas | Con riserva di eventuali modifiche tecniche | Technische wijzigingen voorbehouden | Com reserva de modificações técnicas | Med forbehold for tekniske ændringer | Med förbehåll för tekniska ändringar | Tekniset muutokset varataan | Med forbehold om tekniske ændringer | могут быть внесены технические изменения | Z zastrzeżeniem modyfikacji technicznych | Změny technických údajů vyhrazeny | A műszaki módosítás jogát fenntartjuk | Sub rezerva modifițiilor tehnice | Paturam tiesības mainīt tehniskos raksturlielumus | Pasilieikant teisę daryti techninius pakeitimus | Tehnilised muudatused võimalikud | Podložno tehničkim promjenama | Tehnične spremembe dopuščene | Právo na technické zmeny je vyhradené | Подлежи на технически модификации | Є об'єктом для технічних змін | Teknik değışiklik hakkı saklıdır | Υπό την επιφύλαξη τεχνικών τροποποιήσεων



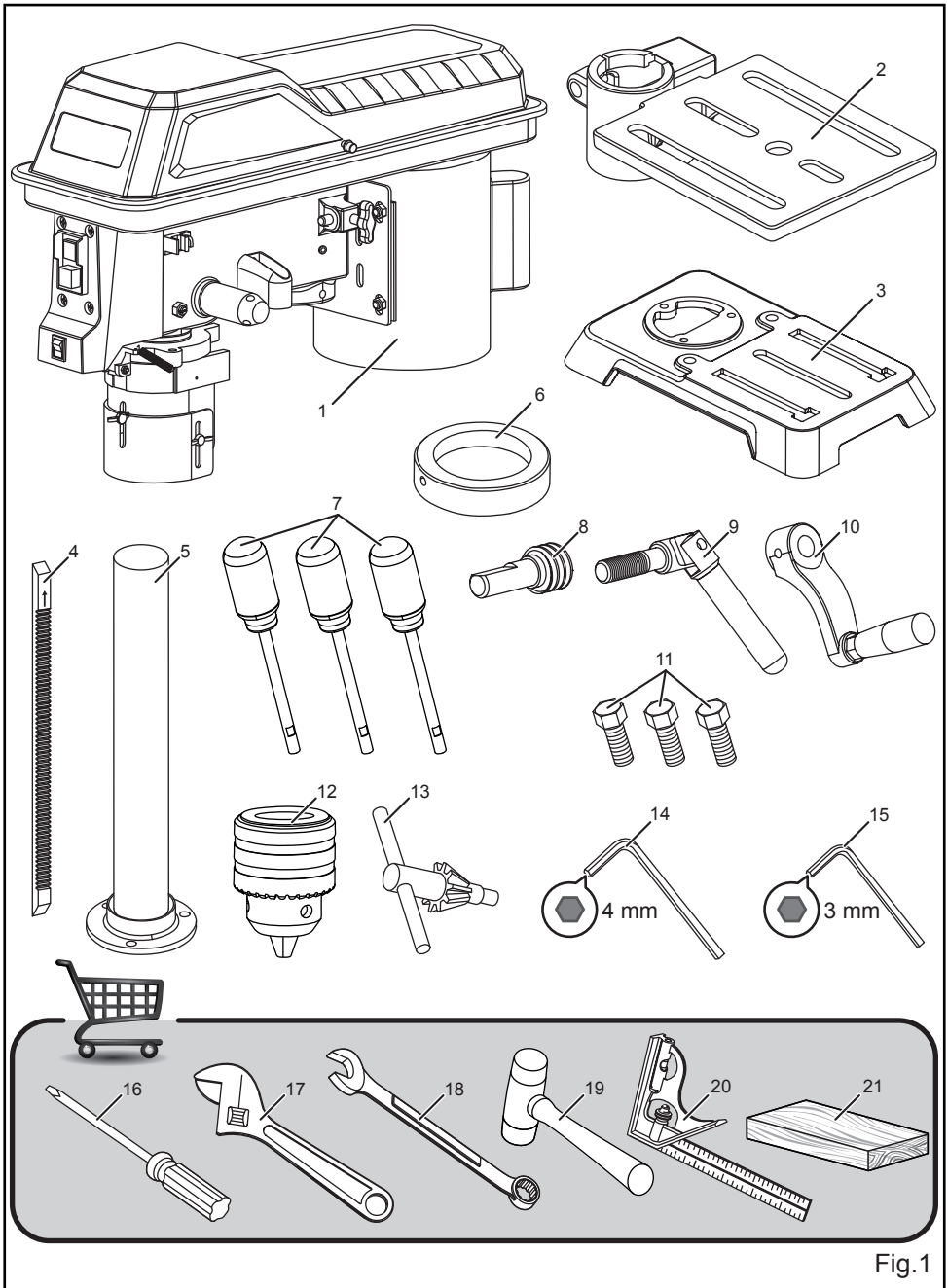


Fig.1

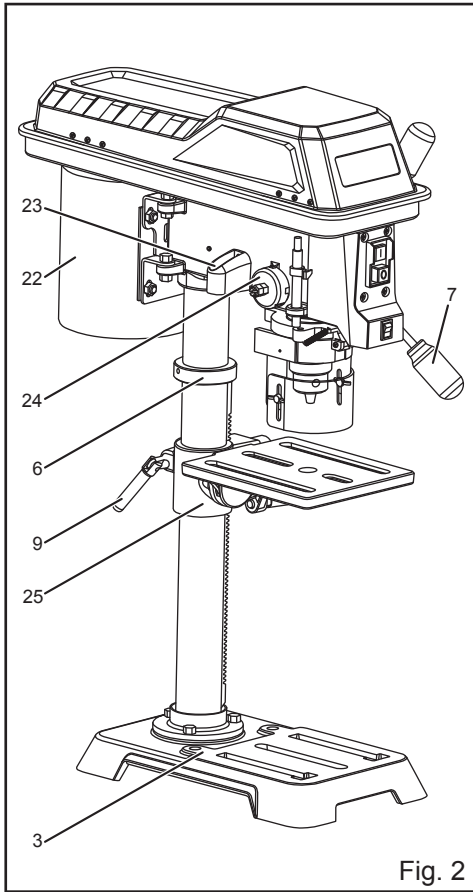


Fig. 2

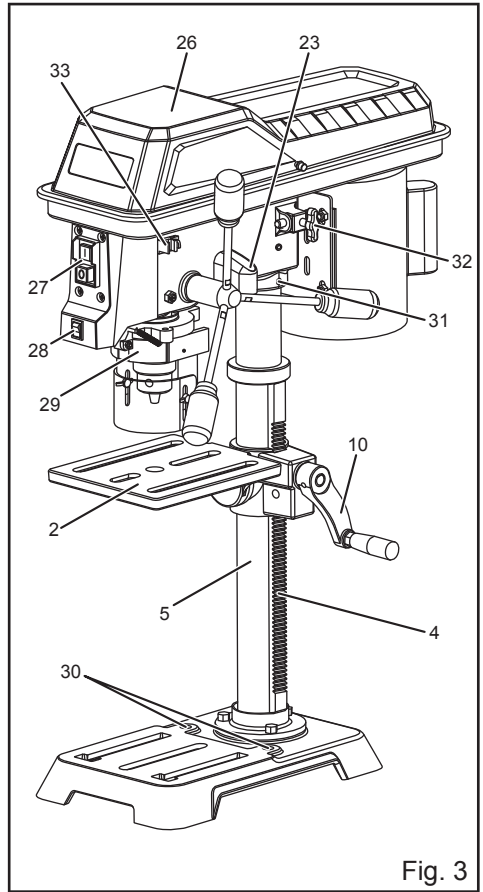


Fig. 3

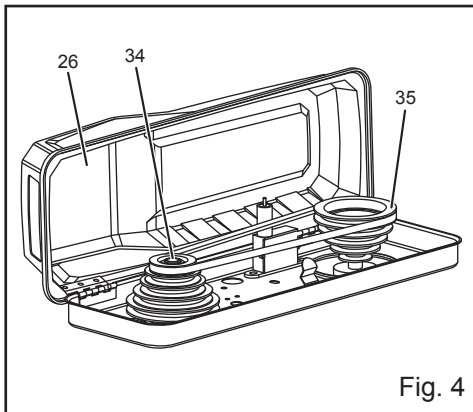


Fig. 4

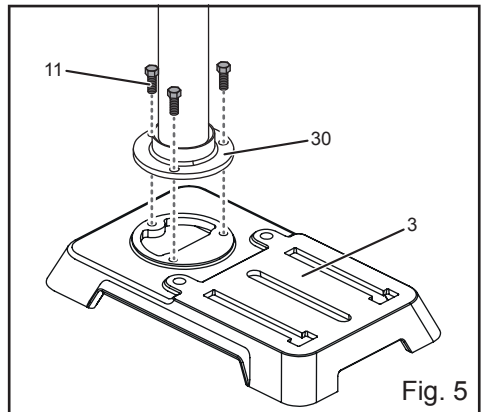
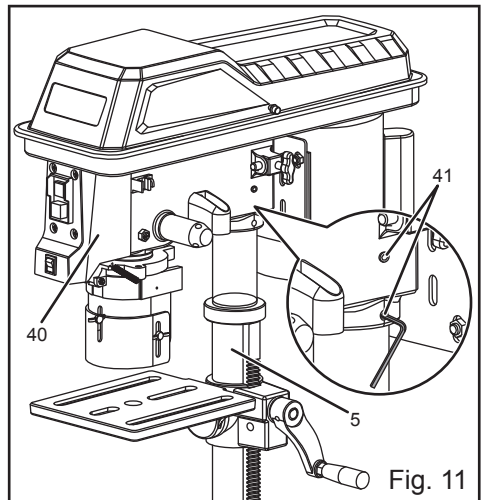
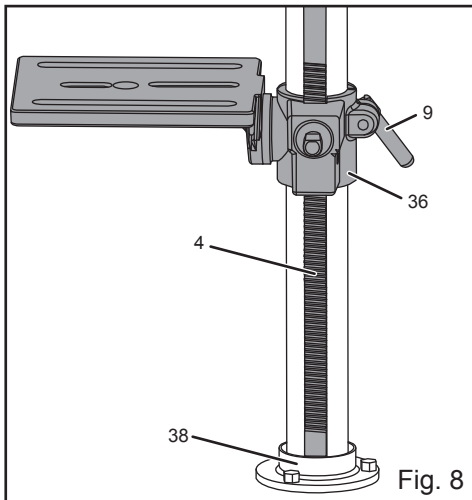
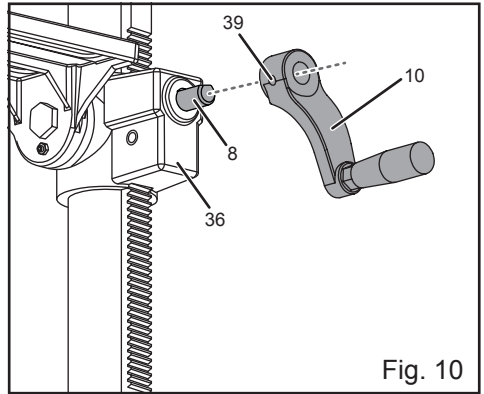
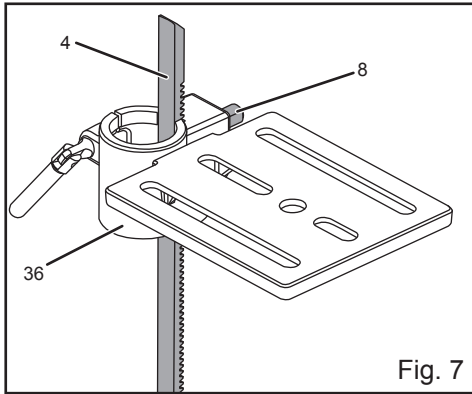
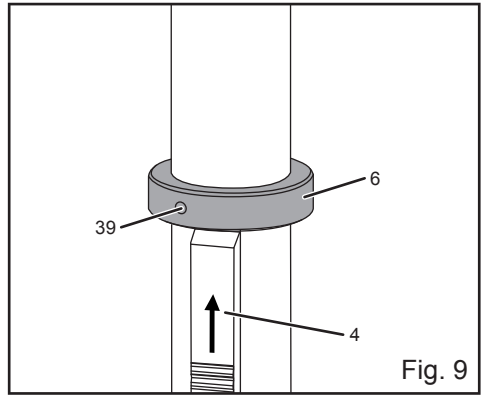
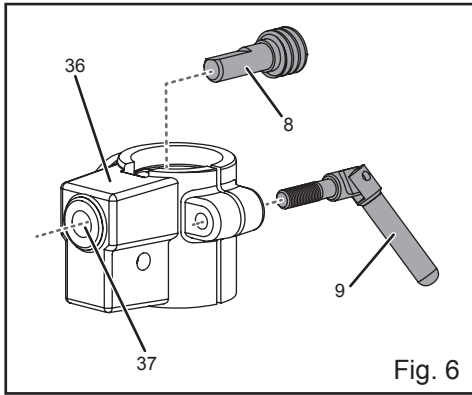


Fig. 5



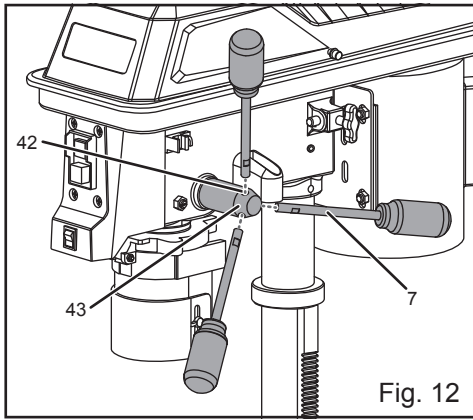


Fig. 12

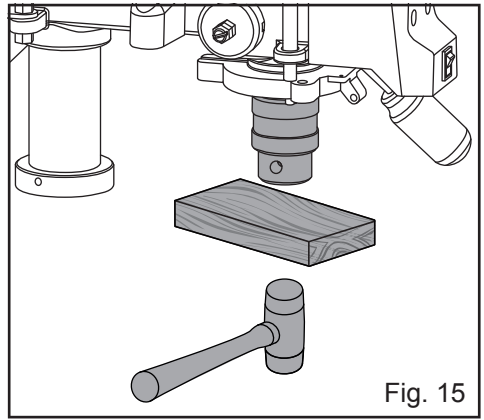


Fig. 15

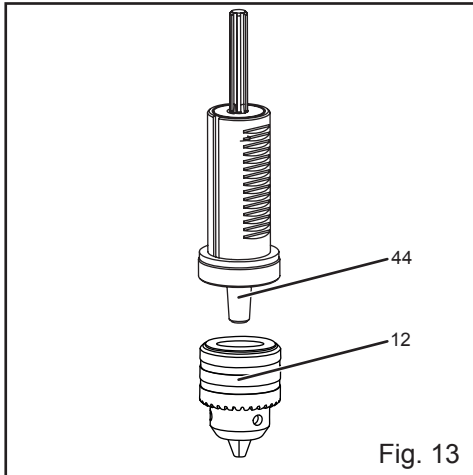


Fig. 13

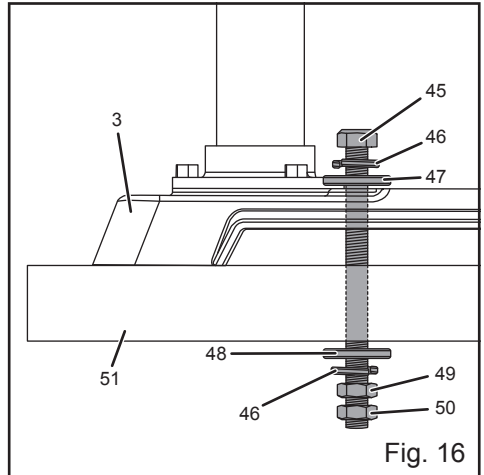


Fig. 16

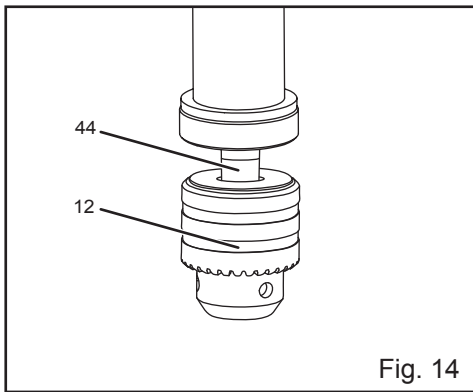


Fig. 14

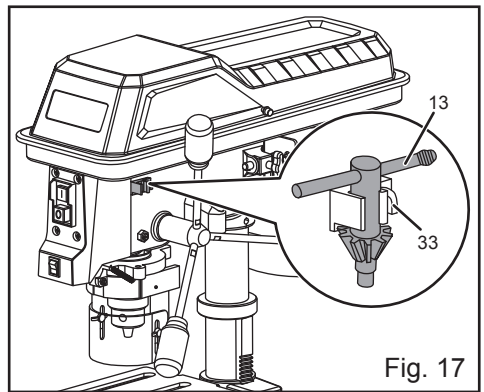
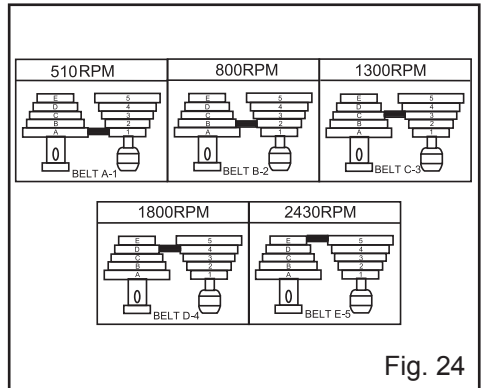
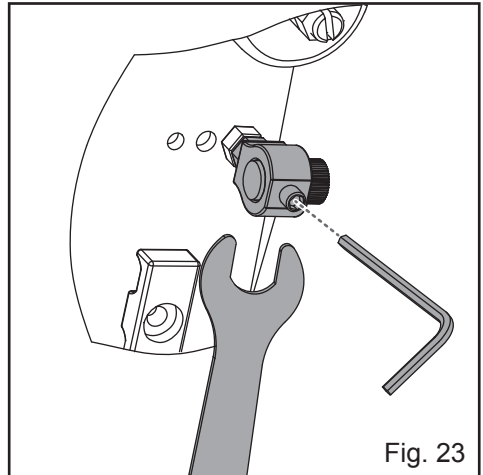
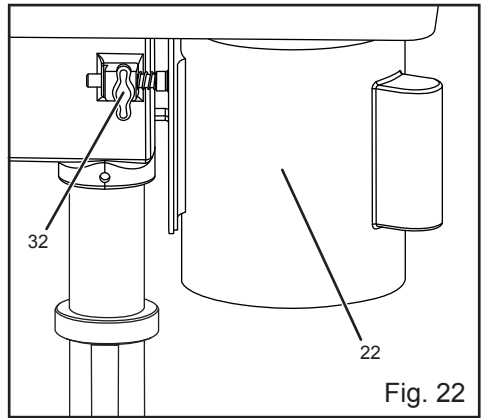
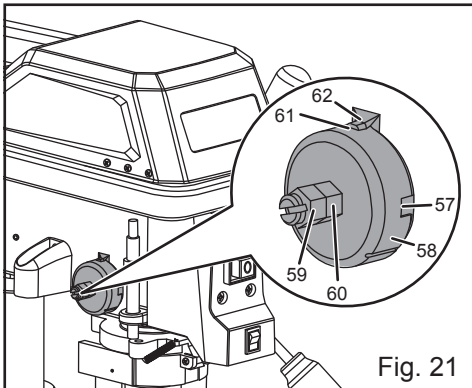
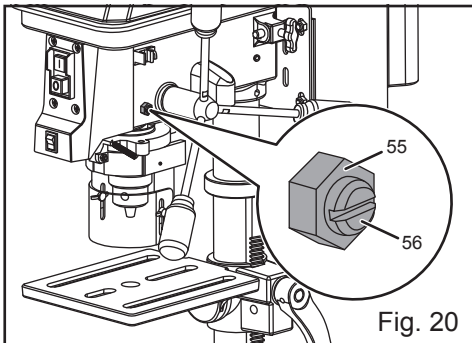
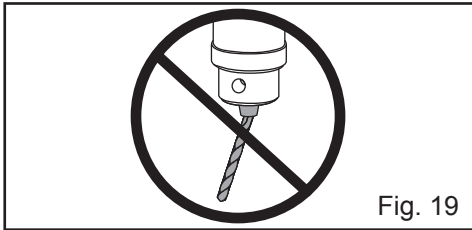
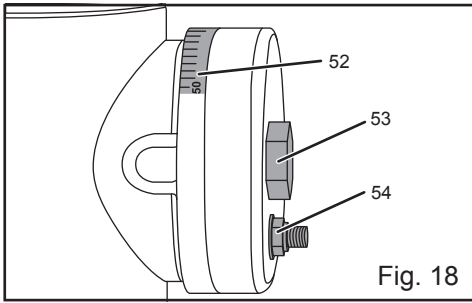
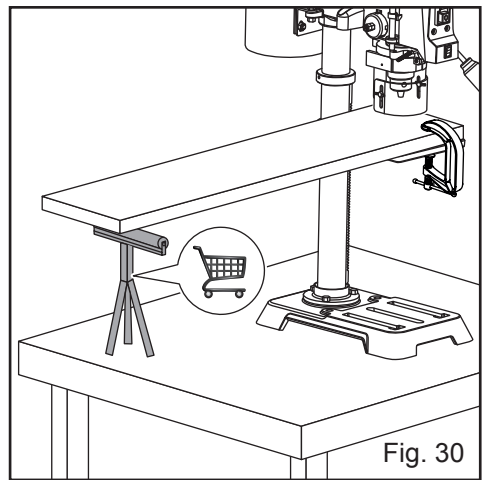
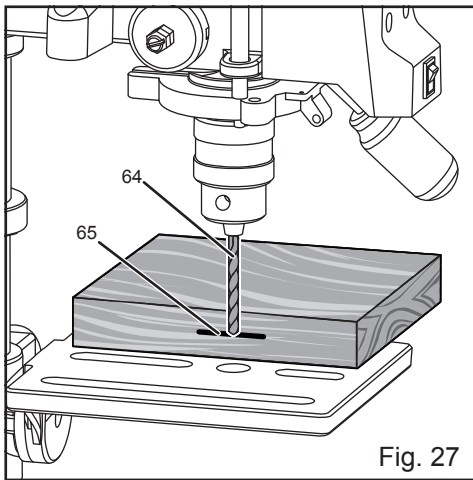
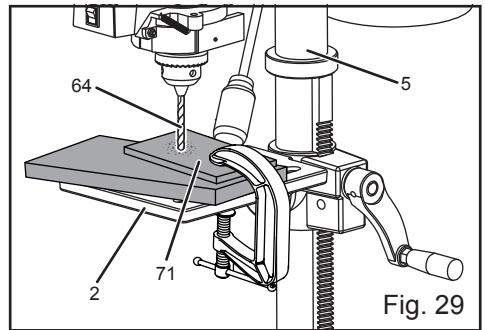
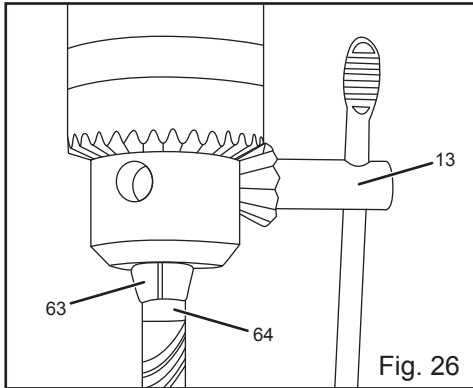
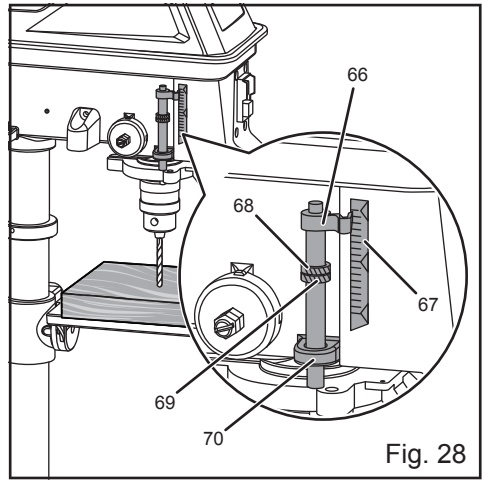
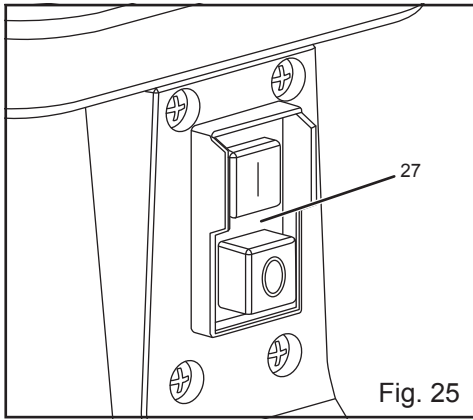
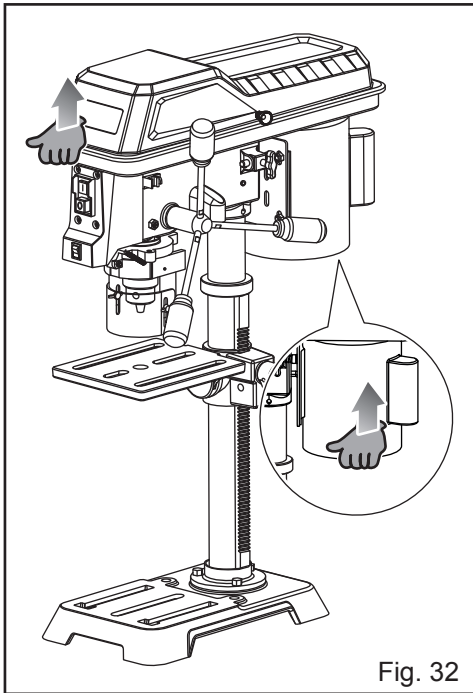
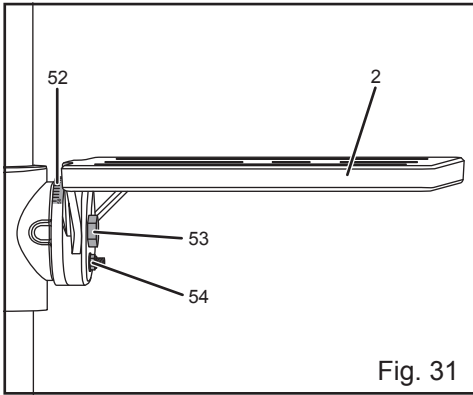


Fig. 17







DESCRIPTION

1. Head assembly
2. Table
3. Base
4. Rack
5. Column assembly
6. Rack ring
7. Feed handles
8. Worm gear
9. Table lock handle
10. Table crank handle
11. Hex bolts
12. Chuck
13. Chuck key
14. 4 mm hex key
15. 3 mm hex key
16. Slotted Screwdriver
17. Adjustable wrench
18. 12 mm wrench
19. Hammer or rubber mallet
20. Combination square
21. Block of wood
22. Motor
23. Laser head
24. Quill return coil / spring
25. Table bracket
26. Pulley cover
27. ON/OFF switch
28. Laser switch
29. Upper safe guard
30. Mounting holes
31. Head locking screw
32. Belt tension lock knob
33. Chuck key holder
34. Spindle pulley
35. Motor pulley
36. Table support
37. Table crank handle hole
38. Column support
39. Set screw
40. Head
41. Head locking set screw
42. Threaded holes
43. Hub assembly
44. Spindle
45. Bolt x 2 (M12, not included)
46. Lock washer x 4 (Dia. 12mm, not included)
47. Rubber washer x 2 (Dia. 12mm, not included)
48. Flat washer x 2 (Dia. 12mm, not included)
49. Jam nut x 2 (M12, not included)
50. Hex nut x 2 (M12, not included)
51. Worksurface
52. Bevel scale
53. Table bevel locking bolt
54. Nut
55. Lock nut
56. Screw
57. Lower front notch
58. Spring cap
59. Outer jam nut
60. Inner nut
61. Notch
62. Boss
63. Chuck jaws
64. Drill bit
65. Depth
66. Depth scale pointer
67. Depth scale
68. Upper nut
69. Lower nut
70. Depth stop lug
71. Workpiece

Safety, performance, and dependability have been given top priority in the design of your drill press.

INTENDED USE

The drill press is intended for drilling holes in wood, plastics, aluminium and steel.

The drill press is to be used only by adult operators who have read the instruction manual and understand the risks and hazards.

The drill press is designed to be fixed at the base to a solid bench top. If the base is not securely fixed, the whole machine has a tendency to tip over, slide, or walk on the supporting surface during operations, which increases the possibility of serious personal injury.

The drill press is to be used in dry conditions, with excellent ambient lighting and adequate ventilation.

The drill press is intended for consumer use and should only be used as described above and is not intended for any other purpose.

GENERAL POWER TOOL SAFETY WARNINGS

⚠ WARNING

Read all safety warnings, instructions, illustrations and specifications provided with this power tool. Failure to follow all instructions listed below may result in electric shock, fire and/or serious injury.

Save all warnings and instructions for future reference. The term "power tool" in the warnings refers to your mains-operated (corded) power tool or battery-operated (cordless) power tool.

WORK AREA SAFETY

- **Keep work area clean and well lit.** Cluttered or dark areas invite accidents.
- **Do not operate power tools in explosive atmospheres, such as in the presence of flammable liquids, gases or dust.** Power tools create sparks which may ignite the dust or fumes.
- **Keep children and bystanders away while operating a power tool.** Distractions can cause you to lose control.

ELECTRICAL SAFETY

- **Power tool plugs must match the outlet. Never modify the plug in any way. Do not use any adapter plugs with earthed (grounded) power tools.** Unmodified plugs and matching outlets will reduce risk of electric shock.
- **Avoid body contact with earthed or grounded surfaces, such as pipes, radiators, ranges and refrigerators.** There is an increased risk of electric shock if your body is earthed or grounded.
- **Do not expose power tools to rain or wet**

conditions. Water entering a power tool will increase the risk of electric shock.

- **Do not abuse the cord. Never use the cord for carrying, pulling or unplugging the power tool. Keep cord away from heat, oil, sharp edges or moving parts.** Damaged or entangled cords increase the risk of electric shock.
- **When operating a power tool outdoors, use an extension cord suitable for outdoor use.** Use of a cord suitable for outdoor use reduces the risk of electric shock.
- **If operating a power tool in a damp location is unavoidable, use a residual current device (RCD) protected supply.** Use of an RCD reduces the risk of electric shock.

PERSONAL SAFETY

- **Stay alert, watch what you are doing and use common sense when operating a power tool. Do not use a power tool while you are tired or under the influence of drugs, alcohol or medication.** A moment of inattention while operating power tools may result in serious personal injury.
- **Use personal protective equipment. Always wear eye protection.** Protective equipment such as a dust mask, non-skid safety shoes, hard hat, or hearing protection used for appropriate conditions will reduce personal injuries.
- **Prevent unintentional starting. Ensure the switch is in the off-position before connecting to power source and/or battery pack, picking up or carrying the tool.** Carrying power tools with your finger on the switch or energising power tools that have the switch on invites accidents.
- **Remove any adjusting key or wrench before turning the power tool on.** A wrench or a key left attached to a rotating part of the power tool may result in personal injury.
- **Do not overreach. Keep proper footing and balance at all times.** This enables better control of the power tool in unexpected situations.
- **Dress properly. Do not wear loose clothing or jewellery. Keep your hair and clothing away from moving parts.** Loose clothes, jewellery or long hair can be caught in moving parts.
- **If devices are provided for the connection of dust extraction and collection facilities, ensure these are connected and properly used.** Use of dust collection can reduce dust-related hazards.
- **Do not let familiarity gained from frequent use of tools allow you to become complacent and ignore tool safety principles.** A careless action can cause severe injury within a fraction of a second.

POWER TOOL USE AND CARE

- **Do not force the power tool. Use the correct power tool for your application.** The correct power tool will do the job better and safer at the rate for which it was designed.



- **Do not use the power tool if the switch does not turn it on and off.** Any power tool that cannot be controlled with the switch is dangerous and must be repaired.
- **Disconnect the plug from the power source and/ or remove the battery pack, if detachable, from the power tool before making any adjustments, changing accessories, or storing power tools.** Such preventive safety measures reduce the risk of starting the power tool accidentally.
- **Store idle power tools out of the reach of children and do not allow persons unfamiliar with the power tool or these instructions to operate the power tool.** Power tools are dangerous in the hands of untrained users.
- **Maintain power tools and accessories.** Check for misalignment or binding of moving parts, breakage of parts and any other condition that may affect the power tool's operation. If damaged, have the power tool repaired before use. Many accidents are caused by poorly maintained power tools.
- **Keep cutting tools sharp and clean.** Properly maintained cutting tools with sharp cutting edges are less likely to bind and are easier to control.
- **Use the power tool, accessories and tool bits etc. in accordance with these instructions, taking into account the working conditions and the work to be performed.** Use of the power tool for operations different from those intended could result in a hazardous situation.
- **Keep handles and grasping surfaces dry, clean and free from oil and grease.** Slippery handles and grasping surfaces do not allow for safe handling and control of the tool in unexpected situations.

SERVICE

- **Have your power tool serviced by a qualified repair person using only identical replacement parts.** This will ensure that the safety of the power tool is maintained.

DRILL PRESS SAFETY WARNINGS

- **The drill must be secured.** A drill that is not properly secured may move or tip over and may result in personal injury.
- **The workpiece must be clamped or secured to the workpiece support. Do not drill pieces that are too small to be clamped securely.** Holding the workpiece by hand during operation may result in personal injury.
- **Do not wear gloves.** Gloves may be entangled by the rotating parts or chips leading to personal injury.
- **Keep your hands out of the drilling area while the tool is running.** Contact with rotating parts or chips may result in personal injury.
- **Make sure the accessory is rotating before feeding into the workpiece.** Otherwise the accessory may become jammed in the workpiece

causing unexpected movement of the workpiece and personal injury.

- **When the accessory is jammed, stop applying downward pressure and switch off the tool.** Investigate and take corrective actions to eliminate the cause of the jam. Jamming can cause unexpected movement of the workpiece and personal injury.
- **Avoid generating long chips by regularly interrupting downward pressure.** Sharp metal chips may cause entanglement and personal injuries.
- **Never remove chips from the drilling area while the tool is running. To remove chips, move the accessory away from the workpiece, switch off the tool and wait for the accessory to stop moving. Use tools such as a brush or hook to remove chips.** Contact with rotating parts or chips may result in personal injury.
- **Accessories with speed ratings must be rated at least equal to the maximum speed marked on the power tool.** Accessories running faster than their rated speed can break and fly apart.
- **Keep bits clean and sharp.** Sharp bits minimize stalling. Dirty and dull bits may cause misalignment of the material and possible operator injury.
- **Keep hands away from work area.** Keep hands away from the bit. Restrain any loose clothing, jewellery, long hair, etc., that may become entangled in the bit.
- **Always clamp workpiece or brace against column to prevent rotation.** Never use your hand to hold the object while drilling.
- **Use recommended speed for drill accessory and workpiece material.**
- **Be sure drill bit or cutting tool is securely locked in the chuck.**
- **Be sure chuck key is removed** from the chuck before connecting to power source or turning power on.
- **Adjust the table or depth stop to avoid drilling into the table.** Shut off the power, remove the drill bit, and clean the table before leaving machine.
- **Avoid direct eye exposure** when using the laser guide.
- **Always ensure the laser beam is aimed at a surface without reflective properties.** Shiny reflective materials are not suitable for laser use.
- **Never place your fingers in a position where they could contact the drill or other cutting tool** if the workpiece should unexpectedly shift.
- **Never perform any operation** by moving the head or table with respect to one another. Do not turn the motor switch on or start any operation before checking that the head and table support lock handle is clamped tight to column and head and table support collars are correctly positioned.
- **Before engaging the power switch, make sure**



the belt guard is down and the chuck is installed properly.

- **Lock the motor switch off when leaving the drill press.** Do not perform layout, assembly, or set-up work on the table while the cutting tool is rotating, switched on, or connected to a power source.
- **If the power supply cord is damaged,** it must be replaced only by the manufacturer or by an authorised service centre to avoid risk.
- **Store idle tools.** When not in use, tools should be stored in a dry locked-up place, out of reach of children.
- It is recommended that the tool always be supplied via a residual current device having a rated residual current of 30mA or less.
- **Save these instructions.** Refer to them frequently and use to instruct other users. If you loan someone this tool, loan them these instructions also.

LASER SAFETY RULES

- The laser radiation used in the product is Class 2 with maximum $\leq 1\text{mW}$ and 650nm wavelengths. Failure to comply with the rules could result in serious personal injury.
- Do not stare into beam during operation.
- Do not project the laser beam directly into the eyes of others. Serious eye injury could result.
- Do not place the laser in a position that may cause anyone to stare into the laser beam intentionally or unintentionally.
- Do not use optical tools to view the laser beam.
- Do not operate the laser around children or allow children to operate the laser.
- Do not attempt to repair the laser device by yourself.
- Do not attempt to change any parts of the laser device by yourself.
- Any repairs must only be carried out by the laser manufacturer or authorized service agent.
- Do not replace the laser with a different type.

RESIDUAL RISKS

Even when the product is used as prescribed, it is still impossible to completely eliminate certain residual risk factors. The operator should pay particular and additional attention to these points in order to reduce the risk of serious personal injury.

- Injury to hearing – Wear suitable ear protection and limit exposure.
- Injury to sight – Wear protective eye shields or goggles when using the product.
- Injury caused by vibration – Limit exposure and follow the instructions on risk reduction in this manual.
- Respiratory injury from dust created by operating the product – Wear suitable protection depending on type of dust.

⚠ WARNING

Some dust created by power sanding, sawing, grinding, drilling, and other construction activities contains chemicals known to cause cancer, birth defects or other reproductive harm. Some examples of these chemicals are:

- lead from lead-based paints,
- crystalline silica from bricks and cement and other masonry products, and
- arsenic and chromium from chemically-treated lumber.

Your risk from these exposures varies, depending on how often you do this type of work. To reduce your exposure to these chemicals, work in a well ventilated area, and work with approved safety equipment, such as those dust masks that are specially designed to filter out microscopic particles.

ELECTRICAL

Use only 3-wire extension cords that have 3-prong grounding plugs and 3-pole receptacles that accept the tool's plug. When using a power tool at a considerable distance from the power source, use an extension cord heavy enough to carry the current that the tool will draw. An undersized extension cord will cause a drop in line voltage, resulting in a loss of power and causing the motor to overheat.

Before using an extension cord, inspect it for loose or exposed wires and cut or worn insulation.

⚠ WARNING

Keep the extension cord clear of the working area. Position the cord so that it will not get caught on lumber, tools or other obstructions while you are working with a power tool. Failure to do so can result in serious personal injury.

⚠ WARNING

Check extension cords before each use. If damaged replace immediately. Never use the product with a damaged cord since touching the damaged area could cause electrical shock resulting in serious injury.

ELECTRICAL CONNECTION

The product is powered by a precision built electric motor. It should be connected to a power supply that is 230-240 V, 50 Hz, AC only (normal household current). Do not operate the product on direct current (DC). A substantial voltage drop will cause a loss of power and the motor will overheat. If the product does not operate when plugged into an outlet, double check the power supply.

SPEED AND WIRING

The speed of the product is not constant and decreases under a load or with lower voltage. For voltage, the wiring in a shop is as important as the motor's horsepower rating. A line intended only for lights cannot properly carry a power tool motor. Wire that is heavy enough for a short distance will be too light for a greater distance. A line that can support one power tool may not be able to support two or three tools.

GROUNDING INSTRUCTIONS

In the event of a malfunction or breakdown, grounding provides a path of least resistance for electric current to reduce the risk of electric shock. The product is equipped with an electric cord having an equipment-grounding conductor and a grounding plug. The plug must be plugged into a matching outlet that is properly installed and grounded in accordance with all local codes and ordinances.

Do not modify the plug provided. If it will not fit the outlet, have the proper outlet installed by a qualified electrician. Improper connection of the equipment-grounding conductor can result in a risk of electric shock. The conductor with insulation having an outer surface that is green with or without yellow stripes is the equipment-grounding conductor. If repair or replacement of the electric cord or plug is necessary, do not connect the equipment-grounding conductor to a live terminal.

Repair or replace a damaged or worn cord immediately.

RECOMMENDED ACCESSORIES

WARNING

Use only accessories recommend for this drill press. Follow instructions that accompany accessories. Use of improper accessories may cause hazards.

- Drill bits
- Hold-down clamps
- Drill press vices

WARNING

Use only accessories designed for this drill press to avoid injury from thrown broken parts or workpieces.

Do not use any accessory unless you have completely read the instruction or operator's manual for that accessory.

CARTON CONTENTS

UNPACKING AND CHECKING CONTENTS

WARNING

If any part is missing or damaged, do not plug the drill press in until the missing or damaged part is replaced, and assembly is complete.

Carefully unpack the drill press and all its parts, and compare against the list below.

To protect the drill press from moisture, a protective coating has been applied to the machined surfaces. Remove this coating with a soft cloth moistened with kerosene or WD-40.

WARNING

To avoid fire or toxic reaction, never use gasoline, naphtha, acetone, lacquer thinner or similar highly volatile solvents to clean the drill press.

Apply a coat of paste wax to the table, column and machined surfaces of base to prevent rust. Wipe all parts thoroughly with a clean dry cloth.

Item	Description	Quantity
1	Head assembly	1
2	Table	1
3	Base	1
4	Rack	1
5	Column assembly	1
6	Rack ring	1
7	Feed handles	3
8	Worm gear	1
9	Table lock handle	1
10	Table crank handle	1
11	Hex bolts	3
12	Chuck	1
13	Chuck key	1
14	4 mm hex key	1
15	3 mm hex key	1

ASSEMBLY AND ADJUSTMENTS

⚠ WARNING

For your own safety, never connect plug to power source outlet until all assembly steps are complete and you have read and understood the safety and operating instructions.

⚠ WARNING

The drill press is a heavy power tool and should be lifted with the help of two people or more to safely assemble it.

ASSEMBLING COLUMN TO BASE

See Figure 5.

1. Place the base on a flat, stable surface.
2. Align screw holes in the column assembly with screw holes in the base.
3. Place a hex bolt in each hole.
4. Tighten each hex bolt using an adjustable wrench.

INSTALLING TABLE TO COLUMN ASSEMBLY

See Figures 6-10.

1. Insert the table bracket lock handle into the threaded hole at the rear of the table bracket.
NOTE: Install the handle from left to right, so it enters the non-threaded side of the table bracket first.
2. Feed the worm gear through the table crank hole in the table bracket. Make sure the worm gear meshes with the inside gear.
NOTE: Do not remove the lubrication from the worm gear.
3. Feed the rack through the slot in the table bracket so that the teeth are facing out and the longer smooth end faces up. The worm gear should engage the rack.
4. Using both hands, slide the entire table and rack onto the column until the bottom of the rack is positioned in the base collar and against the column.
5. Tighten the table bracket lock handle to lock the table assembly to the column.
NOTE: Do not overtighten.
6. Slide the rack ring, bevel-side down, over the column until the beveled side engages the beveled end of the rack.
7. Tighten the set screw in the collar using the hex key. To avoid column or collar damage, do not overtighten the set screw.
NOTE: You should be able to move the table from side to side.
8. Install table crank handle over the end of worm gear so that the flat side of the shaft aligns with the set screw.
9. Tighten the set screw using the hex key.

INSTALLING THE HEAD

See Figure 11.

⚠ WARNING

The Drill Press head is heavy and should be lifted with the help of two people to safely assemble the drill press head on the column.

1. Position the head onto the column with the chuck positioned over the table.
NOTE: The product is heavy. Get help when needed.
2. Slide the head down as far as it will go. Align the table assembly with the base and then tighten the two head set screws with the hex key.

INSTALLING FEED HANDLES

See Figure 12.

1. Attach the three feed handles by screwing them into the threaded holes in the hub assembly.

INSTALLING THE CHUCK

See Figures 13-15.

⚠ WARNING

Before any assembly of the chuck to the drill press head, clean all mating surfaces with a non-petroleum based product. Any oil or grease used in the packing of these parts must be removed otherwise the chuck may come loose during operation.

1. Clean out the tapered hole in the chuck with a clean cloth and a non-alcohol based cleaner. Wipe clean all oil residue and any dirt or grime thoroughly.
2. Clean tapered surfaces on the spindle in the same manner as above.
NOTE: Make sure there are no foreign particles sticking to the surfaces. The slightest piece of dirt or oil residing on any of these surfaces will prevent the chuck from seating properly. This will cause the drill chuck and bit to wobble.
3. Position chuck on spindle. Chuck should be fully opened to avoid damaging jaws.
4. Unlock the table support lock and swing the table away from the bottom of the chuck.
5. Insert the chuck onto the spindle, pushing upwards all the way.
6. Using a piece of scrap wood to protect the chuck, firmly tap the chuck into place using a mallet or hammer.

⚠ CAUTION

Risk of property damage. To avoid damage to the chuck, never drive the chuck on the spindle with a metal hammer.

REMOVING THE CHUCK

1. Turn the feed handles to lower the chuck to the lowest position.
2. Place a ball joint separator (not shown) above the chuck and tap it lightly with a hammer or rubber mallet to cause the chuck to drop from the spindle.
NOTE: Never hit the chuck directly with the hammer or rubber mallet.

NOTE: To avoid possible damage to the chuck, raise the jaws all the way first and be prepared to catch the chuck as it falls.

MOUNTING DRILL PRESS TO WORK SURFACE

See Figure 16.

If the drill press is to be used in a permanent location, secure it to a workbench or other stable surface.

If the drill press is to be used as a portable tool, fasten it permanently to a mounting board that can easily be clamped to a workbench or other stable surface. The mounting board should be of sufficient size to avoid tipping while drill press is in use. Any good grade plywood or chipboard with a 19 mm (3/4") thickness is recommended.

1. Mark holes on surface where drill press is to be mounted using holes in drill press base as a template for hole pattern.
2. Drill holes through mounting surface.
3. Place drill press on mounting surface, aligning holes in the base with holes drilled in the mounting surface.
4. Insert bolts (not included) and tighten securely with lock washers and hex nuts (not included).

If lag bolts are used, make sure they are long enough to go through holes in drill press base and material the drill press is being mounted to. If machine bolts are used, make sure bolts are long enough to go through holes in drill press, the material being mounted to, and the lock washers and hex nuts.

NOTE: All bolts should be inserted from the top. Install the lock washers and hex nuts from the underside of the workbench.

Once the drill press is securely mounted on a sturdy surface:

1. Check for vibration when the motor is switched ON.
2. Adjust and retighten the mounting hardware as necessary.
3. Check the table assembly to assure smooth movement up and down the column.
4. Check to assure that the spindle shaft moves smoothly.

CHUCK KEY STORAGE

See Figure 17.

Storage holder for the chuck key is located on the right side of the drill press.

BEVEL DRILLING

See Figure 18.

NOTE: A bevel scale has been included to measure approximate bevel angles. If precision is necessary,

a square or other measuring tool should be used to position the table. To use the bevel scale:

1. Tighten the nut on the locking pin using a 10 mm or adjustable wrench clockwise to release the pin from its table support. This pin will be needed when placing the table back to its 0 degree setting from the table support. Do not throw away.
2. Loosen the large hex head table bevel locking bolt using a 17 mm or adjustable wrench.
3. Tilt the table, aligning the desired angle measurement to the zero line opposite the scale.
4. Tighten the table bevel locking bolt.
5. To return the table to its original position, loosen the cable bevel locking bolt. Return the table to the 0° position.
6. Return nut on locking pin to the outside end of threads. Gently tap locking pin, using a rubber mallet, until it is seated in the mating hole of the table bracket. Hand tighten nut.

NOTE: The table has been removed from the illustration for clarity.

⚠ WARNING

To prevent personal injury, always disconnect the plug from the power source when making any adjustments.

SPINDLE / QUILL

See Figure 20.

Rotate the feed handles counterclockwise to lower spindle to its lowest position. Hold the chuck and move it front to back. If there is excessive play, proceed with the following adjustments:

1. Loosen the lock nut located on the right side of the drill press, using a 10 mm wrench.
2. Turn the screw clockwise to eliminate the play, using a slotted screwdriver, but without obstructing the upward movement of the spindle. (A little play in the spindle is normal.)
3. Tighten the lock nut.

QUILL RETURN SPRING

See Figure 21.

The quill return spring may need adjustment if the quill return speed is too rapid or too slow. This spring is located on the left side of the drill head.

1. Lower the table for additional clearance.
2. Place a screwdriver in the lower front notch of the spring cap. Hold it in place while loosening and removing only the outer jam nut, using a 10 mm wrench.
3. With the screwdriver still engaged in the notch, loosen the inner nut just until the notch disengages from the boss on the drill press head.
NOTE: Do not remove this inner nut, because the spring will forcibly unwind.
4. Carefully turn the spring cap counterclockwise with the screwdriver, engaging the next notch.

5. Lower the quill to the lowest position by rotating the feed handle in a counterclockwise direction while holding the spring cap in position.
6. If the quill moves up and down as you desire, tighten the inner nut snug against the spring cap and spring cap with the wrench. If too loose, repeat steps 3 through 5 to tighten. If too tight, reverse steps 4 and 5.
7. Secure the outer nut against the inner nut with the wrench.

NOTE: Do not overtighten and restrict quill movement.

BELT TENSION

See Figure 22.

1. Open the pulley cover.
2. To unlock the belt tension, turn the belt tension lock knob on the right side of the drill press head counterclockwise.
3. Pull the motor toward the front of the drill press to loosen the belt tension.
4. Position the belt on the correct pulley steps for the desired speed.
5. Push the motor away from the drill press head until the belt is properly tensioned.

NOTE: Belt tension is correct if the belt deflects approximately 13 mm (1/2") when pressed at its centre.

6. Tighten the belt tension lock knob to secure the motor in position. Close pulley cover.

CHECKING/ADJUSTING LASER ALIGNMENT

The product is equipped with Laser Trac®.

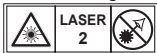
The laser beams will enable you to preview the drill bit path on the workpiece to be drilled before you begin your operation.

⚠ WARNING

Avoid direct eye contact

A laser light is radiated when the laser guide is turned on. Avoid direct eye contact. Always unplug the drill press from the power source before making any adjustments.

- A laser pointer is not a toy and should not come into hands of children. Misuse of this appliance can lead to irreparable eye injuries.
- Any adjustment to increase the laser power is forbidden.
- When using the laser pointer, do not point the laser beam towards people and/or reflecting surfaces. Even a laser beam of lower intensity may cause eye damage. Therefore, do not look directly into the laser beam.
- The laser pointer includes no servicing components. Never open the housing for repair or adjustments.
- Laser warning label:



- Do not remove or deface warning labels. Removing labels increases the risk of exposure to radiation.
- **CAUTION:** Use of controls or adjustments or performance of procedures other than those specified herein may result in hazardous radiation exposure.
- Do not attempt to repair or disassemble the laser level. If unqualified persons attempt to repair this laser product, serious injury may result. Any repair required on this laser product should be performed by authorised service centre personnel.
- **CAUTION:** The use of optical instruments with this product will increase eye hazard.

⚠ WARNING

Do not use tinted glasses to enhance the laser light. Tinted glasses will reduce the overall vision for the application and interfere with the normal operation of the tool.

⚠ WARNING

Laser radiation. Never aim the beam at a work piece with a reflective surface. Bright shiny reflective sheet steel or similar reflective surfaces are not recommended for laser use. Reflective surfaces could direct the beam back toward the operator or bystanders.

ADJUSTING THE LASER LINES

See Figure 23.

Check the laser alignment to ensure the intersection of the laser lines is precisely at the spot where the drill bit meets the workpiece. If it is not, the laser lines should be adjusted using the laser adjustment knobs located on opposite sides of the head assembly.

1. Mark an "X" on a piece of scrap wood.
2. Insert a small drill bit into the chuck and align its tip to the intersection of the lines of the "X".
3. Secure the board to the table.
4. Turn on the laser guide and verify the laser lines align with the "X" on the workpiece.
5. If the laser lines do not align, loosen the set screws on each of the laser housings with a hex key and rotate the laser adjustment knobs until the lines meet in the centre of the "X". Retighten the set screws to secure.

OPERATION

⚠ WARNING

Do not allow familiarity with tools to make you careless. Remember that a careless fraction of a second is sufficient to inflict serious injury.

⚠ WARNING

Always wear safety goggles or safety glasses with side shields when operating power tools. Failure to do so could result in objects being thrown into your eyes resulting in possible serious injury.

⚠ WARNING

Do not use any attachments or accessories not recommended by the manufacturer of the product. The use of attachments or accessories not recommended can result in serious personal injury.

⚠ WARNING

To avoid possible injury, keep guard closed and in place while tool is in operation.

CHANGING SPEEDS AND BELT PLACEMENT

See Figure 24.

The spindle speed is determined by the location of the belt on the pulleys inside the head assembly. The speed chart located on the cover inside the head assembly shows the recommended speed and pulley configuration for each drilling operation.

To change the pulley configuration:

1. Lift pulley cover.
2. Loosen the tension bolt.
3. Remove the belt.
4. Reposition the belt according to the speed chart.
5. Retighten the tension bolt.

NOTE: Refer to the "Recommended Drilling Speed" section for size of drill bit and drilling speed recommendations.

RECOMMENDED DRILLING SPEED

DRILLING SPEED TABLE (RPM)			
Drill bit diameter (Inches)	Material		
	Wood Plastics	Aluminium Zinc Brass	Iron Steel
1/16	2430	2430	2430
1/8			1800
3/16			1300
1/4		1800	800
5/16			
3/8	1300		
1/2	1800	800	510

ON/OFF switch

See Figure 25.

To turn the drill press on:

1. Press the ON button (I).

To turn the drill press off:

1. Press the OFF button (O).

⚠ WARNING

Always make sure the workpiece is not in contact with the bit before operating the switch to start the product. Failure to heed this warning may cause the workpiece to be kicked back toward the operator and result in serious personal injury.

INSTALLING AND REMOVING BITS

See Figure 26.

1. Unplug the drill press.
2. Open or close the chuck jaws to a point where the opening is slightly larger than the bit size you intend to use.
3. Insert drill bit into the chuck the full length of the jaws.

⚠ WARNING

Do not insert drill bit into chuck jaws and tighten as shown in Figure 19. This could cause drill bit to be thrown from the drill press, resulting in possible serious personal injury or damage to the chuck.

4. Tighten chuck jaws securely using chuck key provided. Do not use a wrench to tighten or loosen chuck jaws.
5. Remove chuck key.
6. To remove the drill bit, reverse the steps listed above.

⚠ WARNING

To avoid injury or accident by the chuck key ejecting forcibly from the chuck when the power is turned "ON", use only the self-ejecting chuck key supplied with this drill press. Always recheck and remove the chuck key before turning the power "ON". Place the chuck key into its storage holder when not in use.

DRILLING TO A SPECIFIC DEPTH

Drilling a blind hole (not all the way through workpiece) to a given depth can be done two ways:

Workpiece method

See Figure 27.

1. Mark the depth of the hole on the side of the workpiece.
2. With the switch "OFF", bring the drill bit down until the tip is even with the mark.
3. Hold the feed handle at this position.
4. Spin the lower nut down to contact the depth stop lug on the head.
5. Spin the upper nut down and tighten against the lower nut.
6. The drill bit will now stop after traveling the distance marked on the workpiece.

Depth scale method

See Figure 28.

NOTE: With the chuck in the upper position, the tip of the drill bit must be just slightly above the top of the workpiece.

1. With the switch "OFF", turn the feed handle until the pointer points to the desired depth on the depth scale and hold the feed handle in that position.
2. Spin the lower nut down to contact the depth stop lug.
3. Spin the upper nut against the lower stop nut and tighten.
4. The drill bit will stop after traveling the distance selected on the depth scale.

Drilling a hole

1. Using a centre punch or a sharp nail, make an indentation in the workpiece where you want to drill.
2. Turn on the laser guide and align the laser lines with the indentation.
3. Turn the power switch on and pull down on the feed handles with only enough effort to allow the drill to cut.

Feeding too rapidly might cause the belt or drill to slip, tear the workpiece loose, or break the drill bit.

When drilling metal, it will be necessary to lubricate the tip of the drill bit with metal drilling oil to prevent it from overheating.

FOR YOUR PROTECTION

⚠ WARNING

To avoid being pulled into the power tool, do not wear loose clothing, gloves, neckties, or jewellery. Always tie back long hair.

1. If any part of your drill press is missing, malfunctioning, damaged or broken, stop operation immediately until that part is properly repaired or replaced.
2. Never place your fingers in a position where they could contact the drill bit or other cutting tool. The workpiece may unexpectedly shift, or your hand could slip.
3. To prevent the workpiece from being torn from your hands, thrown, spun by the tool, or shattered, always properly support your workpiece as follows:
 - Always position backup material (used beneath workpiece) so that it contacts the left side of the column.
 - Whenever possible, position the workpiece to contact the left side of the column. If it is too short or the table is tilted, clamp solidly to the table, using the table slots.
 - When using a drill press vice (not included), always fasten it to the table.
 - Never do any work freehand (hand-holding the workpiece rather than supporting it on the table), except when polishing or sanding.

- Securely lock the head and support to the column, the table arm to the support, and the table to the table arm, before operating the drill press.
 - Never move the head or the table while the tool is running.
 - Before starting an operation, jog the motor switch to make sure the drill or other cutting tool does not wobble or cause vibration.
 - If a workpiece overhangs the table so it will fall or tip if not held, clamp it to the table or provide auxiliary support.
 - Use fixtures for unusual operations to adequately hold, guide, and position workpiece.
 - Use the spindle speed recommended for the specific operation and workpiece material. Check the panel on the inside pulley cover or refer to the "Recommended Drilling Speed" section for drilling speed information. For accessories, refer to the instructions provided with each accessory.
4. Never climb on the drill press table, it could break or pull the entire drill press down on you.
 5. Turn the power "OFF" at the outlet when leaving the drill press.
 6. To avoid injury from thrown work or tool contact, do not perform layout, assembly, or setup work on the table while the cutting tool is rotating.

POSITIONING THE TABLE AND WORKPIECE

See Figure 29-30.

1. Lock the table to the column at a position so the tip of the drill bit is just above the top of the workpiece.
2. Always place a back-up material (scrap wood) on the table beneath the workpiece. This will prevent splintering or heavy burring on the underside of the workpiece. To keep the back-up material from spinning, it must be positioned against the left side of the column.
3. Use appropriate means of support for overhanging workpiece.

⚠ WARNING

To prevent the workpiece or backup material from being thrown while drilling, you **MUST** position the workpiece against the left side of the column. If the workpiece or the backup material is not long enough to reach the column, clamp them to the table to brace the workpiece. Failure to secure the workpiece could result in personal injury.

⚠ WARNING

A drill press vice must be clamped or bolted to the table to avoid injury from a spinning workpiece, or damaged vice or bit parts.

HOLDING A DRILLING LOCATION

1. Using a centre punch or sharp nail, make an indentation in the workpiece where you will be drilling.
2. Turn on the laser guide and align the laser lines (x) with the indentation before turning the drill ON.

TILTING THE TABLE

See Figure 31.

NOTE: The table support has a predrilled hole with a locking pin inserted for locking the table into a predrilled 0° bevel angle.

1. Tighten the nut on the locking pin using a 10 mm or adjustable wrench clockwise to release the pin from the table support. This pin will be needed when placing the table back to its 0 degree setting from the table support.
2. Loosen the large hex head table bevel locking bolt using a 17 mm or adjustable wrench.

WARNING

To prevent injury, be sure to hold the table and table arm assembly, so it will not swivel or tilt.

3. Tilt the table, aligning the desired angle measurement to the zero line opposite the scale.
4. Tighten the table bevel locking bolt.
5. To return the table to its original position, loosen the table bevel locking bolt. Return the table to the 0° position.
6. Return nut on locking pin to the outside end of threads. Gently tap locking pin until it is seated in the mating hole of the table bracket. Hand tighten nut.

WARNING

To avoid injury from spinning work or tool breakage, always clamp workpiece and backup material securely to the table before operating the drill press.

FEEDING

1. Pull down the feed handles with only enough effort to allow the drill bit to cut.
2. Feeding too slowly might cause the drill bit to burn. Feeding too rapidly might cause the belt or drill to slip, tear the workpiece loose or break the drill bit.
3. When drilling metal, it is necessary to lubricate the drill bit tip with oil to prevent burning of the workpiece and bit.

MAINTENANCE

WARNING

For your own safety, turn the switch OFF and remove the plug from the power source outlet before maintaining or lubricating your drill press.

Frequently blow out, using an air compressor or dust vacuum, any sawdust or metal chips that accumulate inside the motor, pulley housing, table and work surface. Always wear protective safety goggles.

WARNING

To avoid shock or fire hazard, if the power cord is worn or cut in any way, have it replaced immediately by a qualified electrician or service technician.

LUBRICATION

All of the drill press ball bearings are packed with grease at the factory. They require no further lubrication.

Periodically lubricate the gear and rack, table elevation mechanism of the spindle the rack (teeth) of the quill. Lower the spindle down and oil the spindle sleeve moderately every three months.

TRANSPORTATION AND STORAGE

See Figure 32.

When transporting the product, disconnect the power cord, and make sure all parts are securely fixed. Refer to Fig. 32 for the grasping areas when lifting the product. Store the product in a secure place that is not accessible to children.

Clean the product using a brush and vacuum cleaner before storage.

ENVIRONMENTAL PROTECTION



Recycle raw materials instead of disposing of as waste. The machine, accessories and packaging should be sorted for environmental-friendly recycling.

SYMBOL



Safety alert



European Conformity Mark



British Conformity Mark



Ukraine Conformity Mark

001



EurAsian Conformity Mark



Please read the instructions carefully before starting the product.



Laser radiation.
Do not stare into beam.
Class 2 laser product



Do not expose to rain or use in damp locations.



Wear ear protection



Always wear eye protection



Chuck Capacity



Spindle travel



Drilling alignment



Drill bit diameter (Inches)



Wood



Aluminum
Zinc
Brass



Iron
Steel



Do not dispose of waste electrical and electronic equipment as unsorted municipal waste. Waste electrical and electronic equipment must be collected separately. Waste light sources have to be removed from the equipment. Check with your local authority or retailer for recycling advice and collection point. According to local regulations, retailers may have an obligation to take back waste electrical and electronic equipment free of charge. Your contribution to the reuse and recycling of waste electrical and electronic equipment helps to reduce the demand of raw materials. Waste electrical and electronic equipment contain valuable and recyclable materials, which can adversely impact the environment and the human health if not disposed of in an environmentally compatible manner. Delete personal data from waste equipment, if any.

EN
FR
DE
ES
IT
NL
PT
DA
SV
FI
NO
RU
PL
CS
HU
RO
LV
LT
ET
HR
SL
SK
BG
UK
TR
EL

TROUBLESHOOTING

PROBLEM	CAUSE	SOLUTION
Noisy operation.	<ol style="list-style-type: none"> 1. Incorrect belt tension. 2. Spindle is dry. 3. Spindle pulley is loose. 4. Motor pulley is loose. 	<ol style="list-style-type: none"> 1. Adjust the tension. See section "Belt tension". 2. Lubricate the spindle. See section "Lubrication". 3. Check tightness of the retaining nut on pulley, and tighten if necessary. 4. Tighten the set screw in motor pulley.
Drill bit burns.	<ol style="list-style-type: none"> 1. Incorrect speed. 2. Chips not coming out of hole. 3. Drill bit is dull. 4. Feeding is too slow. 5. Not lubricated. 	<ol style="list-style-type: none"> 1. Change speed. See section "Changing speeds and belt replacement". 2. Retract drill frequently to clear chips. 3. Resharpener the drill bit or replace with new bit. 4. Feed fast enough – allow drill to cut. 5. Lubricate drill. See section "Feeding".
Run out of drill bit point-drilled hole not round.	<ol style="list-style-type: none"> 1. Hard grain in wood or lengths of cutting routes and/or angles not equal. 2. Drill bit is bent. 	<ol style="list-style-type: none"> 1. Resharpener the drill bit correctly. 2. Replace the drill bit.
Wood splinters on underside.	<ol style="list-style-type: none"> 1. No backup material under workpiece. 	<ol style="list-style-type: none"> 1. Use backup material. See section "Operation".
Workpiece torn loose from hand.	<ol style="list-style-type: none"> 1. Workpiece is not supported or clamped properly. 	<ol style="list-style-type: none"> 1. Support the workpiece or clamp it. See section "Operation".
Drill bit binds in workpiece.	<ol style="list-style-type: none"> 1. Workpiece pinching drill bit, or excessive feed pressure. 2. Improper belt tension. 	<ol style="list-style-type: none"> 1. Support the workpiece or clamp it. See section "Operation". 2. Adjust tension. See section "Belt tension".
Excessive drill bit runout or wobble.	<ol style="list-style-type: none"> 1. Drill bit is bent. 2. Bearings are worn. 3. Drill bit not properly installed in chuck. 4. Chuck not properly installed. 	<ol style="list-style-type: none"> 1. Use a straight drill bit. 2. Replace the bearings. 3. Install drill properly. See section "Operation" and "Assembly and adjustments". 4. Install chuck properly. See section "Installing the chuck".
Quill returns too slow or too fast.	<ol style="list-style-type: none"> 1. Coil spring has improper tension. 	<ol style="list-style-type: none"> 1. Adjust spring tension. See section "Quill return spring".
Chuck will not stay attached to spindle. It falls off when trying to install.	<ol style="list-style-type: none"> 1. Dirt, grease, or oil on the tapered inside surface of chuck or on the spindle's tapered surface. 	<ol style="list-style-type: none"> 1. Using a non-alcohol based cleaner, clean the tapered surface of the chuck and spindle to remove all dirt, grease and oil. See section "Installing the chuck".

DESCRIPTION

1. Ensemble de la tête
2. Table
3. Semelle
4. Support
5. Ensemble de colonne
6. Anneau de support
7. Poignées d'avance
8. Transmission à vis
9. Poignée de verrouillage de la table
10. Manivelle de la table
11. Boulons hexagonaux
12. Mandrin
13. Clé du mandrin
14. Clé Allen 4 mm
15. Clé Allen 3 mm
16. Tournevis plat
17. Clé à molette
18. Clé de 12 mm
19. Marteau ou maillet de caoutchouc
20. Équerre combinée
21. Bloc de bois
22. Moteur
23. Tête laser
24. Ressort hélicoïdal de retour de fourreau
25. Fixation de la table
26. Couvercle de poulie
27. Interrupteur marche/arrêt
28. Interrupteur du laser
29. Protection supérieure
30. Trous de montage
31. Vis de verrouillage de la tête
32. Bouton de verrouillage de tension de courroie
33. Support de la clé du mandrin
34. Poulie à broche
35. Poulie à moteur
36. Support de table
37. Orifice de manivelle de la table
38. Support de colonne
39. Vis de fixation
40. Tête
41. Vis de fixation du verrouillage de la tête
42. Trous filetés
43. Moyeu
44. Arbre
45. Boulon x 2 (M12, non fourni)
46. Rondelle de maintien x 4 (dia. 12 mm, non fournie)
47. Rondelle de caoutchouc x 2 (dia. 12 mm, non fournie)
48. Rondelle plate x 2 (dia. 12 mm, non fournie)
49. Écrou de blocage x 2 (M12, non fourni)
50. Écrou hexagonal x 2 (M12, non fourni)
51. Plan de travail
52. Echelle d'inclinaison
53. Boulon de verrouillage du biseau de la table
54. Écrou
55. Écrou de verrouillage
56. Vis
57. Encoche avant inférieure
58. Capuchon du ressort
59. Boulon de blocage extérieur
60. Boulon intérieur
61. Encoche
62. Bossage
63. Mors du mandrin
64. Foret
65. Profondeur
66. Pointeur du niveau de profondeur
67. Échelle de profondeur
68. Écrou supérieur
69. Écrou inférieur
70. Ergot de butée de profondeur
71. Pièce à usiner

●

Votre perceuse à colonne a été conçue en donnant priorité à la sécurité, à la performance et à la fiabilité.

UTILISATION PRÉVUE

La perceuse à colonne est conçue pour percer des trous dans le bois, le plastique, l'aluminium et l'acier.

L'outil est conçu pour être utilisé par des adultes qui ont lu le mode d'emploi et comprennent les risques et dangers.

Le produit est conçu pour être fixé à la base sur un plan de travail solide. Si la base n'est pas fixée correctement, l'ensemble de la machine a tendance à basculer, glisser ou se déplacer sur le plan du support en fonctionnement, ce qui augmente les risques de blessures corporelles graves.

Le produit doit être utilisé au sec, avec un excellent éclairage ambiant et une ventilation adéquate.

Ce produit est destiné à une utilisation par des particuliers et ne doit être utilisé que comme décrit ci-dessus, à l'exclusion de toute autre utilisation.

AVERTISSEMENTS DE SÉCURITÉ GÉNÉRAUX POUR L'OUTIL ÉLECTRIQUE

▲ AVERTISSEMENT

●

Lire tous les avertissements de sécurité, les instructions, les illustrations et les spécifications fournis avec cet outil électrique. Ne pas suivre les instructions énumérées ci-dessous peut provoquer un choc électrique, un incendie et/ou une blessure sérieuse.

Conservation des avertissements et des instructions pour pouvoir s'y reporter ultérieurement.

Le terme «outil électrique» dans les avertissements fait référence à votre outil électrique alimenté par le secteur (avec cordon d'alimentation) ou votre outil électrique fonctionnant sur batterie (sans cordon d'alimentation).

SÉCURITÉ DE LA ZONE DE TRAVAIL

- **Conservation de la zone de travail propre et bien éclairée.** Les zones en désordre ou sombres sont propices aux accidents.
- **Ne pas faire fonctionner les outils électriques en atmosphère explosive, par exemple en présence de liquides inflammables, de gaz ou de poussières.** Les outils électriques produisent des étincelles qui peuvent enflammer les poussières ou les fumées.
- **Maintenir les enfants et les personnes présentes à l'écart pendant l'utilisation de l'outil électrique.** Les distractions peuvent vous faire perdre le contrôle de l'outil.

SÉCURITÉ ÉLECTRIQUE

- **Il faut que les fiches de l'outil électrique soient adaptées au socle. Ne jamais modifier la fiche**

de quelque façon que ce soit. Ne pas utiliser d'adaptateurs avec des outils électriques à branchement de terre. Des fiches non modifiées et des socles adaptés réduisent le risque de choc électrique.

- **Éviter tout contact du corps avec des surfaces reliées à la terre telles que les tuyaux, les radiateurs, les cuisinières et les réfrigérateurs.** Il existe un risque accru de choc électrique si votre corps est relié à la terre.
- **Ne pas exposer les outils électriques à la pluie ou à des conditions humides.** La pénétration d'eau à l'intérieur d'un outil électrique augmente le risque de choc électrique.
- **Ne pas maltraiter le cordon. Ne jamais utiliser le cordon pour porter, tirer ou débrancher l'outil électrique. Maintenir le cordon à l'écart de la chaleur, du lubrifiant, des arêtes vives ou des parties en mouvement.** Des cordons endommagés ou emmêlés augmentent le risque de choc électrique.
- **Lorsqu'on utilise un outil électrique à l'extérieur, utiliser un prolongateur adapté à l'utilisation extérieure.** L'utilisation d'un cordon adapté à l'utilisation extérieure réduit le risque de choc électrique.
- **Si l'usage d'un outil électrique dans un emplacement humide est inévitable, utiliser une alimentation protégée par un dispositif à courant différentiel résiduel (RCD).** L'usage d'un RCD réduit le risque de choc électrique.

SÉCURITÉ DES PERSONNES

- **Rester vigilant, regarder ce que vous êtes en train de faire et faire preuve de bon sens dans votre utilisation de l'outil électrique. Ne pas utiliser un outil électrique lorsque vous êtes fatigué ou sous l'emprise de drogues, de l'alcool ou de médicaments.** Un moment d'inattention en cours d'utilisation d'un outil électrique peut entraîner des blessures graves.
- **Utiliser un équipement de protection individuelle. Toujours porter une protection pour les yeux.** Les équipements de protection individuelle tels que les masques contre les poussières, les chaussures de sécurité antidérapantes, les casques ou les protections auditives utilisés pour les conditions appropriées réduisent les blessures.
- **Éviter tout démarrage intempestif. S'assurer que l'interrupteur est en position arrêt avant de brancher l'outil au secteur et/ou au bloc de batteries, de le ramasser ou de le porter.** Porter les outils électriques en ayant le doigt sur l'interrupteur ou brancher des outils électriques dont l'interrupteur est en position marche est source d'accidents.
- **Retirer toute clé de réglage avant de mettre l'outil électrique en marche.** Une clé laissée fixée sur une partie tournante de l'outil électrique peut donner lieu à des blessures.
- **Ne pas se précipiter. Garder une position et un**

équilibre adaptés à tout moment. Cela permet un meilleur contrôle de l'outil électrique dans des situations inattendues.

- **S'habiller de manière adaptée. Ne pas porter de vêtements amples ou de bijoux. Garder les cheveux et les vêtements à distance des parties en mouvement.** Des vêtements amples, des bijoux ou les cheveux longs peuvent être pris dans des parties en mouvement.
- **Si des dispositifs sont fournis pour le raccordement d'équipements pour l'extraction et la récupération des poussières, s'assurer qu'ils sont connectés et correctement utilisés.** Utiliser des collecteurs de poussière peut réduire les risques dus aux poussières.
- **Rester vigilant et ne pas négliger les principes de sécurité de l'outil sous prétexte que vous avez l'habitude de l'utiliser.** Une fraction de seconde d'inattention peut provoquer une blessure grave.

UTILISATION ET ENTRETIEN DE L'OUTIL ÉLECTRIQUE

- **Ne pas forcer l'outil électrique. Utiliser l'outil électrique adapté à votre application.** L'outil électrique adapté réalise mieux le travail et de manière plus sûre au régime pour lequel il a été construit.
- **Ne pas utiliser l'outil électrique si l'interrupteur ne permet pas de passer de l'état de marche à arrêt et inversement.** Tout outil électrique qui ne peut pas être commandé par l'interrupteur est dangereux et il faut le réparer.
- **Débrancher la fiche de la source d'alimentation et/ou enlever le bloc de batteries, s'il est amovible, avant tout réglage, changement d'accessoires ou avant de ranger l'outil électrique.** De telles mesures de sécurité préventives réduisent le risque de démarrage accidentel de l'outil électrique.
- **Conserver les outils électriques à l'arrêt hors de la portée des enfants et ne pas permettre à des personnes ne connaissant pas l'outil électrique ou les présentes instructions de le faire fonctionner.** Les outils électriques sont dangereux entre les mains d'utilisateurs novices.
- **Observer la maintenance des outils électriques et des accessoires. Vérifier qu'il n'y a pas de mauvais alignement ou de blocage des parties mobiles, des pièces cassées ou toute autre condition pouvant affecter le fonctionnement de l'outil électrique. En cas de dommages, faire réparer l'outil électrique avant de l'utiliser.** De nombreux accidents sont dus à des outils électriques mal entretenus.
- **Garder affûtés et propres les outils permettant de couper.** Des outils destinés à couper correctement entretenus avec des pièces coupantes tranchantes sont moins susceptibles de bloquer et sont plus faciles à contrôler.
- **Utiliser l'outil électrique, les accessoires et les lames etc., conformément à ces instructions, en**

tenant compte des conditions de travail et du travail à réaliser. L'utilisation de l'outil électrique pour des opérations différentes de celles prévues peut donner lieu à des situations dangereuses.

- **Il faut que les poignées et les surfaces de préhension restent sèches, propres et dépourvues d'huiles et de graisses.** Des poignées et des surfaces de préhension glissantes rendent impossibles la manipulation et le contrôle en toute sécurité de l'outil dans les situations inattendues.

ENTRETIEN

- **Faire entretenir l'outil électrique par un réparateur qualifié utilisant uniquement des pièces de rechange identiques.** Cela assure le maintien de la sécurité de l'outil électrique.

AVERTISSEMENTS DE SÉCURITÉ RELATIFS À LA PERCEUSE À COLONNE

- **La perceuse doit être sécurisée.** Une perceuse mal fixée pourrait se déplacer ou basculer, et provoquer ainsi des blessures.
- **La pièce à usiner doit être fixée ou serrée au support prévu à cet effet. Ne forez pas de pièces trop petites pour être fixées correctement.** Le maintien à la main de la pièce à usiner lors du fonctionnement pourrait entraîner des blessures corporelles.
- **Ne portez pas de gants.** Les gants peuvent être happés dans les pièces rotatives ou les copeaux et provoquer des blessures corporelles.
- **Maintenez vos mains en dehors de la zone de perçage lors du fonctionnement de l'outil.** Tout contact avec les pièces en rotation ou des copeaux pourrait entraîner des blessures.
- **Assurez-vous que l'accessoire tourne avant de l'insérer dans la pièce à usiner, faute de quoi, l'accessoire pourrait se trouver bloqué dans la pièce à usiner et provoquer ainsi le mouvement inattendu de la pièce à usiner, ainsi que des blessures.**
- **Lorsque l'accessoire est bloqué, cessez d'appliquer une pression descendante et arrêtez l'outil. Recherchez l'origine du problème et prenez des mesures correctives afin d'éliminer l'origine du blocage.** Le blocage peut entraîner le mouvement inattendu de la pièce à usiner ainsi que des blessures corporelles.
- **Évitez de former des copeaux longs en interrompant régulièrement la pression vers le bas.** Les copeaux métalliques tranchants peuvent provoquer des enchevêtrements et des blessures.
- **Ne retirez jamais de copeaux de la zone de perçage lorsque l'outil tourne. Pour retirer les copeaux, éloigner l'accessoire de la pièce de travail, arrêter l'outil et attendre que l'accessoire arrête de tourner. Utiliser des outils tels qu'une brosse ou un crochet pour retirer les copeaux.** Tout contact avec les pièces en rotation ou des copeaux pourrait entraîner des blessures.

- **Les accessoires avec des vitesses nominales doivent avoir des spécifications correspondant au moins à la vitesse maximale indiquée sur l'outil électrique.** Les accessoires fonctionnant à une vitesse supérieure à leur vitesse nominale peuvent se casser et être éjectés.
- **Gardez les mèches propres et bien affûtées.** Des mèches bien affûtées minimisent les risques de blocage. Des mèches sales et émoussées peuvent provoquer un mauvais alignement des matériaux et des blessures potentielles de l'opérateur.
- **Gardez vos mains à l'écart du plan de travail.** Gardez vos mains à l'écart de la mèche. Attachez tout vêtement flottant, bijoux volumineux et cheveux longs, etc. Ils peuvent s'emmêler sur la mèche.
- **Serrez toujours la pièce à usiner ou le contrefort contre la colonne pour empêcher toute rotation.** N'utilisez jamais vos mains pour tenir l'objet pendant le perçage.
- **Utilisez la vitesse recommandée pour l'accessoire de perçage et le matériau de la pièce à usiner.**
- **Assurez-vous que la mèche ou l'outil de découpe sont bien fixés dans le mandrin.**
- **Assurez-vous que la clé du mandrin est retirée du mandrin avant de brancher sur l'alimentation électrique ou d'allumer l'appareil.**
- **Réglez la table ou la butée de profondeur pour éviter de percer la table.** Éteignez l'alimentation, retirez la mèche et nettoyez la table avant de laisser l'appareil.
- **Évitez toute exposition directe des yeux lorsque vous utilisez le guide laser.**
- **Assurez-vous toujours que le faisceau laser vise une surface sans propriété réfléchissante.** Les matériaux brillants et réfléchissants ne conviennent pas à l'usage du laser.
- **Ne mettez jamais vos doigts à un endroit où ils peuvent entrer en contact avec la perceuse ou un outil de découpe, au cas où la pièce à usiner se détournait de manière inattendue.**
- **N'effectuez jamais d'opération entraînant le déplacement de la tête ou de la table, l'une par rapport à l'autre.** Ne démarrez jamais le moteur et ne commencez jamais une opération avant de vérifier que la poignée de verrouillage du support de la table et de la tête est bien serrée sur la colonne et que les colliers de support de la table et de la tête sont dans la bonne position.
- **Avant d'enclencher l'interrupteur de marche, assurez-vous que la protection de la courroie est enlevée et que le mandrin est correctement installé.**
- **Verrouillez le moteur en position d'arrêt avant de laisser le produit.** N'effectuez pas d'installation, de montage ou de réglage sur la table tant que l'outil de découpe tourne, est en marche ou branché sur l'alimentation électrique.
- **Si le câble d'alimentation est endommagé, il ne**

doit être remplacé que par le fabricant ou par un service après-vente agréé, pour éviter tout danger.

- **Rangez les outils inutilisés.** Les outils non utilisés doivent être rangés dans un endroit sec, verrouillé et hors de portée des enfants.
- Il est conseillé de toujours alimenter l'outil via un dispositif à courant résiduel spécifié avec un courant résiduel nominal de 30 mA maximum.
- **Conservez ces instructions.** Reportez-vous-y fréquemment et utilisez-le pour renseigner les autres utilisateurs. Si vous prêtez cet outil à quelqu'un, prêtez-lui également ce manuel.

SÉCURITÉ RELATIVE AU LASER

- Les radiations laser utilisées dans ce produit sont de Catégorie 2, avec des longueurs d'onde de 650 nm et une puissance maximale de 1 mW. Ne regardez pas directement le rayon laser. Le non-respect des règles pourrait entraîner de graves blessures.
- Ne regardez pas le rayon au cours de l'opération.
- Ne projetez pas le rayon laser directement vers les yeux d'autrui. De graves blessures oculaires pourraient en résulter.
- Ne placez pas le laser de telle façon que quiconque puisse diriger son regard vers le rayon laser, que ce soit intentionnellement ou pas.
- N'utilisez pas d'outils optiques pour voir le rayon laser.
- N'utilisez pas le laser en présence d'enfants et ne laissez pas les enfants l'utiliser.
- Ne tentez pas de réparer le laser par vous-même.
- Ne tentez de changer aucune pièce du laser par vous-même.
- Les réparations ne doivent être effectuées que par le fabricant du laser ou par un réparateur agréé.
- Ne remplacez pas le laser par un modèle d'un autre type.

RISQUES RÉSIDUELS

Même lorsque le produit est utilisé selon les prescriptions, il reste impossible d'éliminer totalement certains facteurs de risque résiduels. L'opérateur doit toujours prêter particulièrement attention à ces points afin de réduire les risques de blessures graves.

- **Atteinte à l'audition** – Portez une protection auditive adaptée et limitez le temps d'exposition.
- **Blessure oculaire** – Portez des lunettes ou un masque de protection lorsque vous utilisez le produit.
- **Blessures dues aux vibrations** - Limitez l'exposition et suivez les instructions sur la réduction des risques dans ce manuel.
- **Atteinte au système respiratoire** due aux poussières générées par l'utilisation du produit – Portez une protection adaptée au type de poussière.

⚠ AVERTISSEMENT

Certaines poussières générées par les opérations de ponçage, sciage, meulage, perçage et autres activités du bâtiment contiennent des produits chimiques susceptibles d'être cancérigènes et de provoquer des anomalies congénitales ou des problèmes de fertilité.

Voici quelques exemples de ces produits chimiques:

- le plomb, dans les peintures à base de plomb,
- la silice cristallisée que l'on trouve dans certains ciments, briques et autres produits de maçonnerie,
- l'arsenic et le chrome que l'on trouve dans certains bois traités chimiquement.

Les risques liés à ces produits varient en fonction de la fréquence de ce type de travaux. Afin de réduire les risques d'exposition à de tels produits chimiques, travaillez dans un environnement bien aéré, avec du matériel de sécurité agréé, tel que les masques anti-poussière spécifiquement conçus pour filtrer les particules microscopiques.

ÉLECTRICITÉ

N'utilisez que des rallonges à 3 conducteurs ayant des prises à 3 broches que vous brancherez dans une prise secteur à 3 broches correspondant à la prise de l'appareil. Lorsque vous utilisez un outil électrique à une grande distance de la source d'alimentation, utilisez une rallonge d'une section suffisante pour transporter le courant dont aura besoin l'appareil. Une rallonge sous-dimensionnée provoquera une chute de tension, entraînant une perte de puissance et une surchauffe du moteur.

Avant d'utiliser une rallonge, examinez-la pour déceler des fils exposés ou desserrés, et une isolation usée ou coupée.

⚠ AVERTISSEMENT

Gardez la rallonge éloignée de la zone de travail. Placez le câble de façon qu'il n'accroche pas de planches, d'outils, ou autres obstacles pendant que vous utilisez un outil électrique. Le non-respect de cette consigne peut entraîner des blessures graves.

⚠ AVERTISSEMENT

Vérifiez les rallonges avant chaque utilisation. En cas de dommage, remplacez-les immédiatement. N'utilisez jamais un outil ou un câble d'alimentation endommagé, car si vous veniez à entrer en contact avec la partie abîmée, vous pourriez subir une décharge électrique entraînant de graves blessures.

220~240V, CA uniquement (alimentation secteur classique), 50 Hz. N'alimentez pas cet appareil en courant continu (CC). Une chute de tension substantielle provoquera une perte de puissance et une surchauffe du moteur. Si l'appareil ne fonctionne pas une fois branché sur le secteur, vérifiez à nouveau l'alimentation électrique.

VITESSE ET CÂBLAGE

Cette vitesse n'est pas constante et diminue en charge ou en cas de baisse de tension. L'influence du câblage dans l'atelier a autant d'importance que la puissance du moteur. Une ligne électrique prévue uniquement pour l'éclairage ne peut pas alimenter correctement un outil électrique. Un fil d'une section suffisante pour une courte longueur peut se révéler insuffisant pour une plus grande longueur. Une ligne électrique capable d'alimenter un outil électrique peut s'avérer incapable d'en alimenter deux ou trois.

INSTRUCTIONS DE MISE À LA TERRE

En cas de dysfonctionnement ou de panne, la mise à la terre procure un chemin d'écoulement du courant de moindre résistance qui réduit le risque de décharge électrique. Cet appareil est équipé d'un câble électrique avec fil de terre et d'une fiche avec broche de terre. La fiche doit être branchée dans une prise secteur correctement installée et reliée à la terre en accord avec les lois et codes locaux.

Ne modifiez pas la fiche fournie. Si elle ne correspond pas à votre prise secteur, faites installer une prise secteur adéquate par un électricien qualifié. Un mauvais branchement du conducteur de mise à la terre de l'équipement peut provoquer une décharge électrique. Le conducteur avec un isolant dont l'extérieur est vert avec ou sans rayures jaunes est le conducteur de mise à la terre de l'équipement. S'il faut réparer ou remplacer le cordon électrique ou la prise, ne branchez pas le conducteur de mise à la terre de l'équipement à une fiche sous tension.

Réparez ou remplacez immédiatement tout câble endommagé ou usé.

ACCESSOIRES RECOMMANDÉS**⚠ AVERTISSEMENT**

Utilisez uniquement des accessoires recommandés pour ce produit.

Suivez les instructions qui accompagnent ces accessoires. L'usage d'accessoires inappropriés peut être dangereux.

- Foret
- Fixations de serrage
- Étaux de perceuse à colonne

RACCORDEMENT ÉLECTRIQUE

Cet appareil est équipé d'un moteur électrique de précision. Il doit être connecté à une alimentation

⚠ AVERTISSEMENT

Utilisez uniquement des accessoires conçus pour ce produit pour éviter les blessures provoquées par des bris de pièces de l'appareil ou à usiner.

N'utilisez pas d'accessoires avant d'avoir lu l'intégralité des instructions ou du manuel d'utilisation de cet accessoire.

CONTENU DE LA BOÎTE

DÉBALLAGE ET VÉRIFICATION DU CONTENU

⚠ AVERTISSEMENT

Si une quelconque pièce manque ou est endommagée, ne branchez pas le produit avant de remplacer la pièce manquante ou endommagée et son montage complet.

Déballez soigneusement le produit et toutes ses pièces, et comparez-les avec la liste ci-dessous.

Afin de protéger le produit de l'humidité, une couche de protection a été appliquée sur les surfaces usinées. Retirez cette couche à l'aide d'un chiffon doux imbibé de kérosène ou de WD-40.

⚠ AVERTISSEMENT

Pour éviter les risques d'incendie et de réaction toxique, n'utilisez jamais d'essence, de naphte, d'acétone, de diluant pour vernis ou de solvant très volatile similaire pour nettoyer le produit.

Appliquez une couche de cire en pâte sur la table, la colonne et les surfaces usinées de la base pour éviter la rouille. Essuyez complètement toutes les pièces avec un chiffon doux et sec.

Élément	Description	Qté
1	Ensemble de la tête	1
2	Table	1
3	Semelle	1
4	Support	1
5	Ensemble de colonne	1
6	Anneau de support	1
7	Poignées d'avance	3
8	Transmission à vis	1
9	Poignée de verrouillage de la table	1
10	Manivelle de la table	1
11	Boulons hexagonaux	3

12	Mandrin	1
13	Clé du mandrin	1
14	Clé Allen 4 mm	1
15	Clé Allen 3 mm	1

MONTAGE ET RÉGLAGES

⚠ AVERTISSEMENT

Pour votre propre sécurité, ne branchez jamais la prise sur le secteur (ou la source d'alimentation) avant d'avoir effectué toutes les étapes de montage et d'avoir lu et compris les instructions de sécurité et de fonctionnement.

⚠ AVERTISSEMENT

Le produit est un outil électrique lourd et doit être soulevé par deux personnes au moins pour être monté en toute sécurité.

MONTAGE DE LA COLONNE SUR LA BASE

Voir figure 5.

1. Placez la base sur une surface stable et plate.
2. Alignez les trous de vis de l'ensemble de la colonne avec les trous de vis sur la base.
3. Mettez un boulon hexagonal dans chaque trou.
4. Serrez chaque boulon hexagonal avec une clé à molette.

INSTALLATION DE LA TABLE SUR L'ENSEMBLE DE LA COLONNE

Voir figures 6 - 10.

1. Insérez la poignée de verrouillage de fixation de la table dans le trou fileté à l'arrière de la fixation de la table.
REMARQUE: Installez la poignée de gauche à droite, afin qu'elle entre en premier du côté non fileté de la fixation de la table.
2. Installez la transmission à vis dans le trou pour la manivelle dans la fixation de la table. Assurez-vous que la transmission à vis s'enclenche bien sur l'engrenage intérieur.
REMARQUE: N'enlevez pas le lubrifiant de la transmission à vis.
3. Poussez le support dans la fente de la fixation de table avec les crans tournés vers l'extérieur et l'extrémité la plus longue et lisse tournée vers le haut. La transmission à vis doit être en contact avec le support.
4. À l'aide de vos deux mains, faites glisser toute la table et le support sur la colonne jusqu'à ce que le bas du support soit placé sur le collier de la base et contre la colonne.
5. Serrez la poignée de verrouillage de la fixation de la table pour bloquer l'ensemble de la table sur la colonne.

REMARQUE: Ne serrez pas trop.

- Faites glisser l'anneau du support, le côté biseauté en bas, sur la colonne jusqu'à ce que le côté biseauté s'engage sur l'extrémité biseautée du support.
- Serrez la vis de fixation sur le collier à l'aide de la clé Allen. Pour éviter d'endommager la colonne ou le collier, ne serrez pas trop la vis de fixation.

REMARQUE: Vous devez pouvoir déplacer la table d'un bord à l'autre.

- Installez la poignée de la manivelle de la table à l'extrémité de la transmission à vis afin que le bord plat de l'axe soit aligné avec la vis de fixation.
- Serrez la vis de fixation à l'aide de la clé Allen.

INSTALLATION DE LA TÊTE

Voir figure 11.

⚠ AVERTISSEMENT

La tête de la perceuse à colonne est lourde et doit être soulevée par deux personnes pour être montée en toute sécurité sur la colonne.

- Positionnez la tête sur la colonne avec le mandrin positionné par-dessus la table.
REMARQUE: Le produit est lourd. Faites-vous aider au besoin.
- Faites descendre la tête en la glissant aussi loin que possible. Alignez l'ensemble de la table avec la base, puis serrez les deux vis de l'ensemble de la tête avec la clé Allen.

INSTALLATION DES POIGNÉES D'AVANCE

Voir figure 12.

- Fixez les trois poignées d'avance en les vissant dans les trous filetés du moyeu.

INSTALLATION DU MANDRIN

Voir figures 13 - 15.

⚠ AVERTISSEMENT

Avant de monter le mandrin à la tête de la perceuse à colonne, nettoyez toutes les surfaces de couplage avec un produit sans essence. Toute huile ou graisse utilisée dans l'emballage de ces pièces doit être retirée, sinon le mandrin peut se dégager en fonctionnement.

- Nettoyez le trou fileté du mandrin à l'aide d'un chiffon propre et d'un nettoyeur sans alcool. Retirez toute trace de résidus huileux, de poussières ou de crasse.
- Nettoyez les surfaces coniques de l'axe de la même manière que précédemment.
REMARQUE: Assurez-vous qu'aucune particule étrangère n'est collée aux surfaces. La moindre particule de poussière ou trace d'huile présente sur ces surfaces empêchera une assise correcte du mandrin. Cela entraînera l'oscillation de la mèche et

du mandrin de la perceuse.

- Placez le mandrin sur l'axe. Le mandrin doit être complètement ouvert pour éviter d'endommager les mâchoires.
- Desserrez le verrou du support de la table et faites basculer la table en l'écartant du bas du mandrin.
- Insérez le mandrin sur l'axe en poussant complètement vers le haut.
- En utilisant une pièce de bois pour protéger le mandrin, mettez le mandrin bien en place avec un maillet ou un marteau.

⚠ ATTENTION

Risque de dommage. Pour éviter d'endommager le mandrin, ne poussez jamais le mandrin sur l'axe à l'aide d'un marteau en métal.

RETRAIT DU MANDRIN

- Faites tourner les poignées d'avance pour abaisser le mandrin à la position minimale.
- Mettez un séparateur à tête sphérique (non présenté) au-dessus du mandrin et tapez légèrement avec un marteau ou un maillet en caoutchouc pour faire tomber le mandrin de l'axe.
REMARQUE: Ne frappez jamais le mandrin directement avec le marteau ou le maillet en caoutchouc.

REMARQUE: Pour éviter tout risque de dommages sur le mandrin, soulevez tout d'abord les mâchoires au maximum et préparez-vous à rattraper le mandrin quand il tombe.

MONTAGE DE LA PERCEUSE À COLONNE SUR LE PLAN DE TRAVAIL

Voir figure 16.

S'il est prévu d'utiliser le produit à un endroit de façon permanente, fixez-le à un établi ou sur une surface stable.

Si le produit doit être utilisé comme outil portatif, fixez-le de façon permanente sur une planche qui pourra être aisément fixée à un établi ou tout autre support. La planche de montage doit avoir des dimensions suffisantes pour éviter le basculement du produit en fonctionnement. Nous recommandons une planche de contreplaqué ou d'aggloméré de bonne qualité ayant une épaisseur de 19 mm.

- Marquez l'emplacement des trous sur la surface où la perceuse à colonne doit être montée en utilisant la base de la perceuse à colonne comme modèle pour placer les trous.
- Percez les trous à travers le support de montage.
- Placez la perceuse à colonne sur le support de montage, en alignant les trous de la base avec les trous percés sur le support de montage.
- Insérez les boulons (non fournis) et serrez fermement avec des rondelles et des écrous hexagonaux (non fournis).

Si vous utilisez des boulons tire-fond, assurez-vous qu'ils sont assez longs pour traverser la base de

la perceuse à colonne et le matériau sur lequel la perceuse à colonne est fixée. Si vous utilisez des boulons mécaniques, assurez-vous qu'ils sont assez longs pour traverser la base de la perceuse à colonne et le matériau sur lequel la perceuse à colonne est fixée, les rondelles et les écrous hexagonaux.

REMARQUE: Tous les boulons doivent être insérés par le haut. Installez les rondelles et les écrous hexagonaux sous l'établi.

Une fois le produit bien fixé sur une surface solide :

1. Vérifiez le niveau de vibration quand le moteur est allumé.
2. Ajustez et resserrez les fixations, au besoin.
3. Vérifiez l'ensemble de la table pour assurer un déplacement fluide le long de la colonne, vers le haut et le bas.
4. Vérifiez que l'arbre de l'axe a un mouvement fluide.

RANGEMENT DE LA CLÉ DU MANDRIN

Voir figure 17.

Le support de rangement pour la clé du mandrin est situé sur le côté droit du produit.

PERÇAGE EN BISEAU

Voir figure 18.

REMARQUE: Un rapporteur de biseau est fourni pour mesurer approximativement les angles biseautés. Si plus de précision est nécessaire, une équerre ou un autre outil de mesure doivent être utilisés pour positionner la table. Pour utiliser le rapporteur de biseau :

1. Serrez l'écrou sur la goupille de verrouillage à l'aide d'une clé de 10 ou à molette que vous tournerez dans le sens horaire pour dégager la goupille du support de la table. Cette goupille sera nécessaire quand vous remettrez la table à plat (0 degré) par rapport au support de la table. Ne la jetez pas.
2. Desserrez le gros boulon à tête hexagonale qui verrouille l'angle de la table avec une clé de 17 ou à molette.
3. Penchez la table, en alignant la mesure de l'angle désiré sur la ligne du zéro en face du niveau.
4. Serrez le boulon de verrouillage du l'angle de la table
5. Pour faire revenir la table à sa position de départ, desserrez le boulon de verrouillage du biseau de la table. Faites revenir la table en position 0°.
6. Remettez l'écrou sur la goupille de verrouillage sur l'extrémité extérieure des filetages. Tapez doucement sur la goupille de verrouillage, à l'aide d'un maillet de caoutchouc, jusqu'à ce qu'elle repose dans le trou de couplage sur la fixation de la table. Serrez l'écrou à la main.

REMARQUE: La table a été retirée de l'illustration pour plus de clarté.

⚠ AVERTISSEMENT

Pour éviter toute blessure, débranchez toujours la prise de l'alimentation électrique pour faire des réglages.

BROCHE/FOURREAU

Voir figure 20.

Faites tourner les poignées d'avance dans le sens antihoraire pour faire descendre la broche à sa position la plus basse. Tenez le mandrin et déplacez de l'avant vers l'arrière. S'il y a trop de jeu, procédez aux réglages suivants :

1. Desserrez l'écrou de blocage situé sur le côté droit du produit en utilisant une clé de 10.
2. Faites tourner la vis dans le sens horaire pour éliminer le jeu, en utilisant un tournevis plat, mais sans entraver le déplacement de la broche vers le haut. (Il est normal d'avoir un peu de jeu sur la broche.)
3. Resserrez l'écrou de verrouillage.

RESSORT DE RETOUR DE FOURREAU

Voir figure 21.

Il peut être nécessaire d'ajuster le ressort de retour de fourreau si la vitesse de retour du fourreau est trop rapide ou trop lente. Ce ressort est situé du côté gauche de la tête de perçage.

1. Abaissez la table pour plus de dégagement.
2. Placez un tournevis dans l'encoche inférieure avant du capuchon du ressort. Maintenez-le en place tout en desserrant et en retirant uniquement l'écrou de blocage extérieur, à l'aide d'une clé de 10.
3. En gardant le tournevis engagé dans l'encoche, desserrez l'écrou intérieur jusqu'à ce que l'encoche se dégage du bossage sur la tête de la perceuse.

REMARQUE: Ne retirez pas cet écrou intérieur, sinon le ressort se détendra vigoureusement.

4. Faites doucement tourner le capuchon du ressort dans le sens antihoraire avec un tournevis, en passant à la prochaine encoche.
5. Abaissez le fourreau à sa position la plus basse en faisant tourner la poignée d'avance dans le sens antihoraire tout en maintenant le capuchon du ressort en position.
6. Si le fourreau se déplace vers le haut et le bas comme vous le désirez, resserrez l'écrou intérieur contre le capuchon du ressort et le capuchon du ressort avec la clé. S'il est trop desserré, répétez les étapes 3 à 5 pour ressermer. S'il est trop serré, inversez les étapes 4 et 5.
7. Serrez l'écrou extérieur contre l'écrou intérieur avec la clé.

REMARQUE: Ne serrez pas trop et n'entravez pas le mouvement du fourreau.

TENSION DE LA COURROIE

Voir figure 22.

1. Ouvrez le couvercle de la poulie.
2. Pour débloquer la tension de la courroie, faites tourner le bouton de verrouillage de la tension de courroie du côté droit de la tête de perçage dans le sens antihoraire.
3. Tirez le moteur vers l'avant du produit pour détendre la tension de la courroie.
4. Positionnez la courroie sur les crans de la poulie

- correspondant à la vitesse voulue.
5. Poussez le moteur en l'éloignant de la tête de perçage jusqu'à ce que la courroie soit correctement mise en tension.
REMARQUE: La tension de courroie est correcte si la courroie s'écarte d'environ 13 mm (1/2") quand on appuie au centre.
6. Resserrez le bouton de verrouillage de la tension de courroie pour bien fixer le moteur en place. Refermez le couvercle de la poulie.

VÉRIFICATION ET RÉGLAGE DE L'ALIGNEMENT DU LASER

Le produit est doté d'un laser Trac®.

Le faisceau laser vous permettra de visualiser le déplacement de la mèche sur la pièce à usiner avant de procéder à l'opération.

⚠ AVERTISSEMENT

Évitez tout contact oculaire direct

Une lumière laser est émise quand le guide laser est allumé. Évitez tout contact oculaire direct Débranchez toujours le produit de l'alimentation électrique avant d'effectuer un réglage.

- Un pointeur laser n'est pas un jouet et ne doit pas être mis entre les mains des enfants. Une mauvaise utilisation de cet appareil peut provoquer des blessures oculaires irréversibles.
- Tout ajustement pour augmenter la puissance du laser est interdit.
- Quand vous utilisez le pointeur laser, ne pointez pas le faisceau de laser en direction de personnes ou de surfaces réfléchissantes. Même un faisceau laser de faible intensité peut endommager la vision. Ne regardez pas directement le rayon laser.
- Le pointeur laser ne contient aucun élément d'entretien. N'ouvrez jamais le logement pour des réparations ou des réglages.
- Étiquette d'avertissement du laser :



- Ne retirez pas et n'effacez pas les étiquettes d'avertissement. Le retrait des étiquettes augmente le risque d'exposition aux radiations.
- ATTENTION: L'utilisation des commandes ou les réglages ou les procédures autres que ceux décrits ici peut entraîner une exposition à un rayonnement dangereux.
- N'essayez pas de réparer ou de démonter le niveau du laser. Si des personnes non qualifiées tentent de réparer ce produit laser, des blessures graves peuvent se produire. Toutes les réparations requises sur ce laser doivent être effectuées par le personnel d'un service après-vente agréé.
- ATTENTION: L'utilisation d'instruments optiques avec ce produit augmentera les risques oculaires.

⚠ AVERTISSEMENT

N'utilisez pas de verre teinté pour renforcer la lumière du laser. Un verre teinté réduira la vision globale pour l'application et perturbera le fonctionnement normal de l'outil.

⚠ AVERTISSEMENT

Radiation laser. Ne dirigez jamais le faisceau sur une pièce à usiner comportant une surface réfléchissante. Des feuilles d'acier réfléchissantes brillantes ou des surfaces réfléchissantes similaires ne sont pas recommandées avec le laser. Elles peuvent renvoyer le faisceau laser vers l'utilisateur ou d'autres personnes.

AJUSTEMENT DES RAIES DU LASER

Voir figure 23.

Vérifiez l'alignement du laser pour assurer une intersection précise des raies du laser à l'endroit où la mèche rencontre la pièce à usiner. Si tel n'est pas le cas, les raies du laser doivent être ajustées avec les boutons d'ajustement du laser situés de part et d'autre de la tête.

- Faites un « X » sur un morceau de bois.
- Insérez une *petite mèche dans le mandrin et alignez sa pointe sur l'intersection des lignes du « X »*.
- Fixez la planche sur la table.
- Allumez le guide laser et vérifiez l'alignement des raies du laser sur le « X » marqué sur la pièce à usiner.
- Si les raies du laser ne sont pas alignées, desserrez les vis de fixation sur chacun de boîtiers du laser avec une clé Allen et faites tourner les boutons d'ajustement du laser jusqu'à ce que les raies se croisent au centre du « X ». Resserrez les vis de fixation pour sécuriser l'ensemble.

UTILISATION

⚠ AVERTISSEMENT

Ne laissez pas l'habitude de l'utilisation des outils amoindrir votre vigilance. Rappelez-vous qu'une fraction de seconde d'inattention suffit à provoquer de graves blessures.

⚠ AVERTISSEMENT

Portez toujours des lunettes de sécurité ou des lunettes de protection équipées de volets latéraux lorsque vous utilisez des outils. Dans le cas contraire, des objets pourraient être projetés vers vos yeux et provoquer de graves blessures.

⚠ AVERTISSEMENT

N'utilisez pas de pièces ou accessoires autres que ceux recommandés par le fabricant pour cet outil. L'utilisation d'accessoires non recommandés peut entraîner de graves blessures.

⚠ AVERTISSEMENT

Pour éviter les blessures éventuelles, maintenez la protection fermée et en place quand l'outil fonctionne.

CHANGEMENT DE VITESSE ET REMPLACEMENT DE LA COURROIE

Voir figure 24.

La vitesse de la broche est déterminée par la place de la courroie sur les poulies dans la tête. Le tableau des vitesses situé sur le couvercle à l'intérieur de la tête montre la vitesse et la configuration de poulie recommandées pour chaque opération de perçage.

Pour changer la configuration de la poulie :

1. Soulevez le couvercle de la poulie
2. Desserrez le boulon de tension.
3. Retirez la courroie.
4. Remettez la courroie selon le tableau des vitesses.
5. Resserrez le boulon de tension.

REMARQUE: Reportez-vous au paragraphe « Vitesse de perçage recommandée » pour consulter les recommandations pour la taille des mèches de perceuse et la vitesse de perçage.

VITESSE DE PERÇAGE RECOMMANDÉE

TABLE DE VITESSE DE PERÇAGE (TR/MIN)

Diamètre de mèche (Pouces)	Matériau		
	Bois Plastique	Aluminium Zinc Laiton	Fer Acier
1/16	2 430	2 430	2 430
1/8			1 800
3/16		1 800	1 300
1/4			800
5/16	1 300	800	
3/8			
1/2	1 800	800	510

INTERRUPTEUR MARCHE/ARRÊT

Voir figure 25.

Pour mettre l'outil en marche:

1. Appuyez sur le bouton de mise en marche (I).

Pour arrêter l'outil:

1. Appuyez sur le bouton d'arrêt (O).

⚠ AVERTISSEMENT

Assurez-vous toujours que la pièce à usiner n'est pas en contact avec la mèche avant d'actionner l'interrupteur pour démarrer le produit. Le non-respect de cet avertissement peut entraîner une projection de l'élément coupé en direction de l'opérateur et provoquer de graves blessures.

INSTALLATION ET RETRAIT DES MÈCHES

Voir figure 26.

1. Débranchez le produit.
2. Serrez ou desserrez les mors du mandrin afin que leur ouverture soit légèrement plus grande que la taille du foret que vous comptez utiliser.
3. Insérez la mèche dans le mandrin, sur la longueur totale des mâchoires.

⚠ AVERTISSEMENT

N'insérez pas la mèche de perceuse dans les mâchoires du mandrin et ne serrez pas comme le montre la figure 19. Cela peut provoquer l'éjection de la mèche du produit, ce qui peut entraîner des blessures graves ou endommager le mandrin.

4. Resserrez les mâchoires du mandrin à l'aide de la clé de mandrin fournie. N'utilisez pas de clé à molette pour serrer ou desserrer le mandrin.
5. Retirez la clé du mandrin.
6. Pour retirer la mèche de la perceuse, effectuez les étapes précédentes dans l'ordre inverse.

⚠ AVERTISSEMENT

Pour éviter toute blessure et tout accident en cas d'éjection vigoureuse de la clé du mandrin quand l'alimentation est en marche, utilisez uniquement la clé de mandrin à éjection automatique, fournie avec cette perceuse à colonne. Vérifiez toujours et retirez toujours la clé du mandrin avant de mettre l'appareil en marche. Mettez la clé du mandrin dans son support de rangement quand vous ne l'utilisez pas.

PERÇAGE À UNE PROFONDEUR SPÉCIFIQUE

Le perçage d'un trou borgne (ne traversant pas la pièce à usiner) à une profondeur donnée peut s'effectuer de deux façons :

Méthode de la pièce à usiner

Voir figure 27.

1. Marquez la profondeur du trou sur le côté de la pièce à usiner.
2. Avec l'interrupteur à l'arrêt, abaissez la mèche jusqu'à ce que la pointe soit au niveau de la marque.
3. Maintenez la poignée d'avance dans cette position.
4. Faites descendre l'écrou inférieur en le tournant pour mettre en contact l'ergot de butée de profondeur sur

- la tête.
- Faites descendre l'écrou supérieur en le tournant et serrez-le sur l'écrou inférieur.
 - La mèche s'arrêtera dorénavant après avoir parcouru la distance indiquée sur la pièce à usiner.

Méthode du niveau de profondeur

Voir figure 28.

REMARQUE: Avec le mandrin en position supérieure, la pointe de la mèche doit se trouver juste au-dessus du sommet de la pièce à usiner.

- Avec l'interrupteur en position d'arrêt, faites tourner la poignée d'avance jusqu'à ce que le pointeur soit aligné sur la profondeur voulue sur le niveau de profondeur et maintenez la poignée d'avance dans cette position.
- Faites descendre l'écrou inférieur en le tournant pour mettre en contact l'ergot de butée de profondeur.
- Faites monter l'écrou supérieur en le tournant contre l'écrou inférieur et serrez.
- La mèche s'arrêtera après avoir parcouru la distance sélectionnée sur le niveau de profondeur.

Perçage d'un trou

- À l'aide d'un pointeau ou d'un clou pointu, faites une encoche sur la pièce à usiner à l'endroit où vous voulez percer.
- Allumez le guide laser et alignez les raies du laser sur l'encoche.
- Allumez le courant et abaissez la poignée d'avance avec juste l'effort nécessaire pour permettre à la perceuse de couper.

Une avance trop rapide de la poignée peut provoquer le décrochement de la courroie ou de la perceuse, l'arrachement de la pièce ou la rupture de la mèche.

Quand vous percez du métal, il est nécessaire de lubrifier la pointe de la mèche avec un lubrifiant de perçage métallique pour l'empêcher de surchauffer.

POUR VOTRE PROTECTION

⚠ AVERTISSEMENT

Afin d'éviter d'être entraîné(e) dans l'outil électrique, ne portez pas de vêtements trop amples, de gants, de cravates ou de bijoux. Attachez toujours les longs cheveux en arrière.

- Si une partie de votre appareil manque, ne fonctionne pas, est endommagée ou cassée, arrêtez immédiatement votre travail jusqu'à ce que cette partie soit correctement réparée ou remplacée.
- Ne mettez jamais vos doigts à un endroit où ils peuvent entrer en contact avec la perceuse ou un outil de découpe. La pièce à usiner peut dévier de manière inattendue, ou alors votre main peut glisser.
- Pour éviter que la pièce à usiner ne soit arrachée de vos mains, projetée, entraînée par l'outil ou fracassée, soutenez toujours correctement votre pièce comme suit :

- Placez toujours un matériau de soutien (utilisé sous la pièce à usiner) pour qu'il soit en contact avec le côté gauche de la colonne.
 - À chaque fois de cela est possible, placez la pièce à usiner au contact du côté gauche de la colonne. Si elle est trop courte ou si la table est inclinée, attachez solidement à la table, à l'aide des fentes de la table.
 - Quand vous utilisez un étau de perceuse à colonne (non fourni), attachez-le toujours à la table.
 - N'effectuez jamais une opération à la main (en tenant la pièce à usiner à la main au lieu de la soutenir avec la table), sauf quand vous polissez ou poncez.
 - Fixez solidement la tête et le support à la colonne, le bras de table au support et la table au bras de table avant de faire fonctionner la perceuse à colonne.
 - Ne déplacez jamais la tête ou la table quand l'outil fonctionne.
 - Avant de démarrer une opération, faites jouer l'interrupteur du moteur pour vous assurer que la perceuse ou l'outil de découpe ne vibre pas et ne provoque pas de vibration.
 - Si une pièce à usiner dépasse de la table au point de tomber ou de basculer si elle n'est pas tenue, fixez-la sur la table ou soutenez-la avec des supports en plus.
 - Utilisez des dispositifs pour les opérations inhabituelles afin de tenir, guider et positionner la pièce à usiner de manière adéquate.
 - Utilisez la vitesse de broche recommandée pour le fonctionnement spécifique et le matériau de la pièce à usiner. Vérifiez le panneau sur le couvercle intérieur de la poulie ou reportez-vous au paragraphe « Vitesse de perçage recommandée » pour consulter les informations relatives à la vitesse de perçage. Pour les accessoires, reportez-vous aux instructions fournies avec chaque accessoire.
- Ne grimpez jamais sur la table de la perceuse à colonne, elle peut se briser ou faire tomber toute la perceuse à colonne sur vous.
 - Éteignez l'électricité au niveau de la prise quand vous laissez le produit.
 - Pour éviter toute blessure provoquée par une pièce éjectée ou le contact d'un outil, n'effectuez aucun travail de disposition, de montage ou d'installation sur la table quand l'outil de découpe tourne.

POSITIONNEMENT DE LA TABLE ET DE LA PIÈCE À USINER

Voir figure 29-30.

- Bloquez la table sur la colonne dans une position où la pointe de la mèche se situe juste au-dessus du sommet de la pièce à usiner.
- Placez toujours un matériau de support (morceau de bois) sur la table sous la pièce à usiner. Cela évitera l'éclatement ou l'ébarbage excessif sur le dessous

de la pièce à usiner. Pour éviter que le matériau de support ne tourne, il doit être situé contre le côté gauche de la colonne.

3. Utiliser des méthodes adaptées pour soutenir les pièces travaillées qui dépassent.

⚠ AVERTISSEMENT

Pour éviter l'éjection de la pièce à usiner ou du matériau de support lors du perçage, vous DEVEZ placer la pièce à usiner contre le côté gauche de la colonne. Si la pièce à usiner ou le matériau de support ne sont pas assez longs pour atteindre la colonne, fixez-les à la table pour renforcer la pièce à usiner. Tout manquement à sécuriser la pièce à usiner peut provoquer des blessures.

⚠ AVERTISSEMENT

Un étau de perceuse à colonne doit être fixé ou vissé à la table pour éviter les blessures causées par une pièce à usiner en rotation ou par l'endommagement de l'étau ou des mèches.

MAINTIEN D'UN EMPLACEMENT DE PERÇAGE

1. À l'aide d'un pointeau ou d'un clou pointu, faites une encoche sur la pièce à usiner à l'endroit où vous allez percer.
2. Allumez le guide laser et alignez les raies du laser (x) sur l'encoche avant d'allumer la perceuse.

INCLINER LA TABLE

Voir figure 31.

REMARQUE: Le support de la table dispose d'un trou pré-percé avec une goupille de verrouillage insérée pour bloquer la table à un angle de biseau de 0°.

1. Serrez l'écrou sur la goupille de verrouillage à l'aide d'une clé de 10 ou à molette que vous tournerez dans le sens horaire pour dégager la goupille du support de la table. Cette goupille sera nécessaire quand vous remettrez la table à plat (0 degré) par rapport au support de la table.
2. Desserrez le gros boulon à tête hexagonale qui verrouille l'angle de la table avec une clé de 17 ou à molette.

⚠ AVERTISSEMENT

Pour éviter toute blessure, assurez-vous de maintenir en place la table et le bras de la table pour les empêcher de pivoter ou de s'incliner.

3. Penchez la table, en alignant la mesure de l'angle désiré sur la ligne du zéro en face du niveau.
4. Serrez le boulon de verrouillage du l'angle de la table
5. Pour faire revenir la table à sa position de départ, desserrez le boulon de verrouillage du biseau de la table. Faites revenir la table en position 0°.
6. Remettez l'écrou sur la goupille de verrouillage

sur l'extrémité extérieure des filetages. Tapez doucement sur la goupille de verrouillage jusqu'à ce qu'elle repose dans le trou de couplage sur la fixation de la table. Serrez l'écrou à la main.

⚠ AVERTISSEMENT

Pour éviter les blessures provoquées par une pièce en rotation ou le bris d'un outil, fixez toujours fermement la pièce à usiner et le matériau de support sur la table avant de faire fonctionner la perceuse à colonne.

AVANCE

1. Abaissez la poignée d'avance avec seulement l'effort nécessaire pour permettre à la perceuse de couper.
2. Une avance trop lente peut provoquer la brûlure de la mèche. Une avance trop rapide de la poignée peut provoquer le décrochement de la courroie ou de la perceuse, l'arrachement de la pièce ou la rupture de la mèche.
3. Quand vous percez du métal, il est nécessaire de lubrifier la mèche de perçage avec de l'huile pour éviter de brûler la pièce à usiner et la mèche.

ENTRETIEN

⚠ AVERTISSEMENT

Pour votre propre sécurité, éteignez l'appareil et retirez la prise de l'alimentation électrique avant d'entretenir ou de lubrifier votre perceuse à colonne.

À l'aide d'un compresseur à air ou d'un aspirateur à poussière, dégagez fréquemment toute sciure et tout copeau de métal s'accumulant dans le moteur, le boîtier de poulie, sur la table ou le plan de travail. Portez toujours des lunettes de sécurité lorsque vous utilisez l'outil.

⚠ AVERTISSEMENT

Pour éviter les risques de décharge électrique et d'incendie, si le cordon électrique est usé ou coupé de quelque manière que ce soit, faites-le remplacer immédiatement par un électricien ou un technicien d'entretien qualifié.

LUBRIFICATION

Tous les roulements de la perceuse à colonne sont chargés de graisse lors de leur fabrication en usine. Ils ne nécessitent aucune lubrification.

Lubrifiez régulièrement les engrenages et le support, le mécanisme d'élévation de la table, la broche, le support (les crans) du fourreau. Abaissez la broche et huilez légèrement le manchon de la broche tous les trois mois.

TRANSPORT ET STOCKAGE

Voir figure 32.

Lors du transport du produit, débrancher le cordon d'alimentation et s'assurer que toutes les pièces sont solidement fixées. Se reporter à la figure 32 pour connaître les zones pour saisir et soulever le produit.

Rangez le produit dans un endroit sûr, hors de portée des enfants.

Nettoyez le produit à l'aide d'un pinceau ou d'un aspirateur avant de le ranger.



Bois

Aluminum
Zinc
LaitonFer
Acier**SYMBOLE**

Alerte de sécurité



Marque de conformité européenne



Marque de conformité britannique



Marque de conformité ukrainienne



Marque de conformité d'Eurasie



Veuillez lire attentivement les instructions avant de mettre l'appareil en marche.

Radiation laser.



Ne regardez pas directement le rayon laser.

Laser de classe 2

N'exposez pas l'appareil à la pluie et ne l'utilisez pas dans un endroit humide.



Portez une protection auditive



Portez toujours une protection oculaire.



Capacité du mandrin



Course de broche



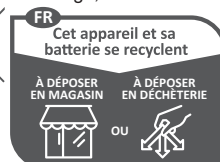
Alignement de perçage



Diamètre de mèche (pouces)



Ne pas jeter les déchets d'équipements électriques et électroniques parmi les déchets municipaux non triés. Les déchets d'équipements électriques et électroniques doivent être collectés séparément. Les sources lumineuses usagées doivent être retirées de l'équipement. Pour obtenir des conseils en matière de recyclage et de points de collecte, se renseigner auprès des autorités locales ou du détaillant. Selon les réglementations locales, les détaillants peuvent avoir l'obligation de récupérer gratuitement les déchets d'équipements électriques et électroniques. Votre contribution à la réutilisation et au recyclage des déchets d'équipements électriques et électroniques permet de réduire la demande en matières premières. Les déchets d'équipements électriques et électroniques contiennent des matériaux précieux et recyclables, qui peuvent avoir un impact négatif sur l'environnement et la santé humaine s'ils ne sont pas éliminés de manière respectueuse de l'environnement. Supprimer les données personnelles de l'équipement usagé, le cas échéant.



Points de collecte sur www.quefairedemesdechets.fr

Problème	Cause possible	Solution
Fonctionnement bruyant.	<ol style="list-style-type: none"> 1. Tension de courroie incorrecte. 2. La broche est sèche. 3. La poulie de la broche est desserrée. 4. La poulie du moteur est desserrée. 	<ol style="list-style-type: none"> 1. Ajustez la tension. Reportez-vous au paragraphe « Tension de courroie ». 2. Lubrifiez la broche. Reportez-vous au paragraphe « Lubrification ». 3. Vérifiez le serrage de l'écrou de retenue sur la poulie et resserrez au besoin. 4. Serrez la vis de fixation dans la poulie du moteur.
La mèche brûle.	<ol style="list-style-type: none"> 1. Vitesse incorrecte. 2. Les copeaux ne sortent pas du trou. 3. La mèche est émoussée. 4. L'avance est trop lente. 5. Pas de lubrification. 	<ol style="list-style-type: none"> 1. Changez de vitesse. Reportez-vous au paragraphe « Changement de vitesse et remplacement de la courroie ». 2. Retirez fréquemment la mèche pour enlever les copeaux. 3. Aiguissez la mèche ou remplacez-la par une nouvelle. 4. Avance suffisamment rapide, laissez la mèche percer. 5. Lubrifiez la mèche. Reportez-vous au paragraphe « Avance ».
Pointe de mèche trop courte - Trou percé non arrondi.	<ol style="list-style-type: none"> 1. Aspérités dans le bois ou longueurs des parcours ou des angles de coupe inégales. 2. La mèche est tordue. 	<ol style="list-style-type: none"> 1. Aiguissez à nouveau la mèche correctement. 2. Remplacez la mèche.
Éclats de bois sous la pièce.	<ol style="list-style-type: none"> 1. Aucun matériau de support sous la pièce à usiner. 	<ol style="list-style-type: none"> 1. Utilisez un matériau de support. Reportez-vous au paragraphe « Fonctionnement ».
Pièce à usiner arrachée de la main.	<ol style="list-style-type: none"> 1. La pièce à usiner n'est pas soutenue ou fixée correctement. 	<ol style="list-style-type: none"> 1. Soutenez la pièce à usiner ou fixez-la. Reportez-vous au paragraphe « Fonctionnement ».
La mèche est bloquée dans la pièce à usiner.	<ol style="list-style-type: none"> 1. Mèche pinçant la pièce à usiner ou pression d'avance excessive. 2. Tension de courroie inadaptée. 	<ol style="list-style-type: none"> 1. Soutenez la pièce à usiner ou fixez-la. Reportez-vous au paragraphe « Fonctionnement ». 2. Ajustez la tension. Reportez-vous au paragraphe « Tension de courroie ».
Débordement ou tremblement excessif de la mèche.	<ol style="list-style-type: none"> 1. La mèche est tordue. 2. Les roulements sont usés. 3. La mèche n'est pas correctement installée dans le mandrin. 4. Le mandrin n'est pas correctement installé. 	<ol style="list-style-type: none"> 1. Utilisez une mèche droite. 2. Remplacez les paliers. 3. Installez correctement la perceuse. Reportez-vous aux paragraphes « Fonctionnement » et « Montage et réglages ». 4. Installez correctement le mandrin. Reportez-vous au paragraphe « Installation du mandrin ».
Le fourreau revient trop vite ou trop lentement.	<ol style="list-style-type: none"> 1. Le ressort hélicoïdal n'a pas une tension correcte. 	<ol style="list-style-type: none"> 1. Ajustez la tension du ressort. Reportez-vous au paragraphe « Ressort de retour de fourreau ».
Le mandrin ne reste pas fixé sur l'axe. Il tombe quand on essaie de l'installer.	<ol style="list-style-type: none"> 1. Il y a de la poussière, de la graisse ou de l'huile sur la surface conique interne du mandrin ou sur la surface conique de l'axe. 	<ol style="list-style-type: none"> 1. À l'aide d'un nettoyant à base sans alcool, nettoyez la surface conique du mandrin et l'axe pour enlever toute trace de poussière, graisse et huile. Reportez-vous au paragraphe « Installation du mandrin ».

BESCHREIBUNG

1. Kopfkonstruktion
2. Tisch
3. Basisplatte
4. Zahnstange
5. Säulenmontage
6. Zahnstangenring
7. Führungshebel
8. Schneckengetriebe
9. Tischfeststellhebel
10. Tischkurbel
11. Sechskantschrauben
12. Bohrfutter
13. Bohrfutterschlüssel
14. 4 mm Sechskantschlüssel
15. 3 mm Sechskantschlüssel
16. Schlitzschraubendreher
17. Rollgabelschlüssel
18. 12 mm Schraubenschlüssel
19. Hammer oder Gummiklopfer
20. Kombinationswinkel
21. Holzblock
22. Motor
23. Laserkopf
24. Rückstellfeder
25. Tischklammer
26. Riemenscheibenabdeckung
27. Ein-/Ausschalter
28. Laserschalter
29. Obere Schutzvorrichtung
30. Befestigungsloch
31. Kopfsicherungsschraube
32. Riemenspannungssperrknopf
33. Bohrfutterschlüsselhalter
34. Spindelriemen
35. Motorriemen
36. Tischstütze
37. Tischkurbelöffnung
38. Säulenstütze
39. Stellschraube
40. Kopfteil
41. Kopfsicherungsstellschraube
42. Gewindebohrungen
43. Hubmontage
44. Spindel
45. Bolzen x 2 (M12, nicht enthalten)
46. Sicherungsscheibe x 4 (Dia. 12mm, nicht enthalten)
47. Gummischeibe x 2 (Dia. 12mm, nicht enthalten)
48. Unterlegscheibe x 2 (Dia. 12mm, nicht enthalten)
49. Kontermutter x 2 (M12, nicht enthalten)
50. Sechskantmutter x 2 (M12, nicht enthalten)
51. Arbeitsfläche
52. Neigungsskala
53. Tischneigungssperrbolzen
54. Mutter
55. Kontermutter
56. Schrauben
57. Untere vordere Kerbe
58. Federkappe
59. Äußere Kontermutter
60. Innenmutter
61. Aussparung
62. Lagernabe
63. Spannbacken
64. Bohrer
65. Tiefe
66. Tiefenskalazeiger
67. Schnitttiefenskala
68. Obere Mutter
69. Untere Mutter
70. Tiefenanschlag
71. Werkstück

Sicherheit, Leistung und Zuverlässigkeit hatten oberste Priorität bei der Entwicklung Ihrer Standbohrmaschine.

BESTIMMUNGSGEMÄSSE VERWENDUNG

Die Standbohrmaschine dient zum Bohren von Löchern in Holz, Kunststoff, Aluminium und Stahl.

Das Produkt darf nur von Erwachsenen verwendet werden, die die Bedienungsanleitung gelesen und die Risiken und Gefahren verstanden haben.

Das Produkt ist so konzipiert, dass es an der Bodenplatte einer massiven Werkbank befestigt werden kann. Wenn der Sockel nicht sicher befestigt ist, besteht die Möglichkeit, dass das Werkzeug während des Betriebes kippt, hin und her gleitet oder sich auf der Stützfläche bewegt, was zu ernsthaften Verletzungen führen kann.

Das Produkt muss bei trockenen Bedingungen eingesetzt werden, mit sehr guter Umgebungsbeleuchtung und einer ausreichenden Belüftung.

Das Produkt ist für den Hausgebrauch und sollte nur wie oben beschrieben, und für keine anderen Zwecke, benutzt werden.

ALLGEMEINE SICHERHEITSHINWEISE FÜR ELEKTROWERKZEUGE

⚠️ WARNUNG

Lesen Sie alle Sicherheitshinweise und Anweisungen. Versäumnisse bei der Einhaltung der Sicherheitshinweise und Anweisungen können elektrischen Schlag, Brand und/oder schwere Verletzungen verursachen.

Bewahren Sie alle Sicherheitshinweise und Anweisungen für die Zukunft auf. Der in den Sicherheitshinweisen verwendete Begriff „Elektrowerkzeug“ bezieht sich auf netzbetriebene Elektrowerkzeuge (mit Netzleitung) oder auf akkubetriebene Elektrowerkzeuge (ohne Netzleitung).

ARBEITSPLATZSICHERHEIT

- Halten Sie Ihren Arbeitsbereich sauber und gut beleuchtet. Unordnung oder unbeleuchtete Arbeitsbereiche können zu Unfällen führen.
- Arbeiten Sie mit dem Elektrowerkzeug nicht in explosionsgefährdeter Umgebung, in der sich brennbare Flüssigkeiten, Gase oder Stäube befinden. Elektrowerkzeuge erzeugen Funken, die den Staub oder die Dämpfe entzünden können.
- Halten Sie Kinder und andere Personen während der Benutzung des Elektrowerkzeugs fern. Bei Ablenkung können Sie die Kontrolle über das Gerät verlieren.

ELEKTRISCHE SICHERHEIT

- Der Anschlussstecker des Elektrowerkzeugs muss in die Steckdose passen. Der Stecker darf in keiner Weise verändert werden. Verwenden Sie keine Adapterstecker gemeinsam

mit schutzgeerdeten Elektrowerkzeugen. Unveränderte Stecker und passende Steckdosen verringern das Risiko eines elektrischen Schlages.

- Vermeiden Sie Körperkontakt mit geerdeten Oberflächen wie von Rohren, Heizungen, Herden und Kühlschränken. Es besteht ein erhöhtes Risiko durch elektrischen Schlag, wenn Ihr Körper geerdet ist.
- Halten Sie Elektrowerkzeuge von Regen oder Nässe fern. Das Eindringen von Wasser in ein Elektrowerkzeug erhöht das Risiko eines elektrischen Schlages.
- Zweckentfremden Sie die Anschlussleitung nicht, um das Elektrowerkzeug zu tragen, aufzuhängen oder um den Stecker aus der Steckdose zu ziehen. Halten Sie die Anschlussleitung fern von Hitze, Öl, scharfen Kanten oder sich bewegenden Geräteteilen. Beschädigte oder verwickelte Anschlussleitungen erhöhen das Risiko eines elektrischen Schlages.
- Wenn Sie mit einem Elektrowerkzeug im Freien arbeiten, verwenden Sie nur Verlängerungsleitungen, die auch für den Außenbereich geeignet sind. Die Anwendung einer für den Außenbereich geeigneten Verlängerungsleitung verringert das Risiko eines elektrischen Schlages.
- Wenn der Betrieb des Elektrowerkzeugs in feuchter Umgebung nicht vermeidbar ist, verwenden Sie einen Fehlerstromschutzschalter. Der Einsatz eines Fehlerstromschutzschalters vermindert das Risiko eines elektrischen Schlages.

SICHERHEIT VON PERSONEN

- Seien Sie aufmerksam, achten Sie darauf, was Sie tun, und gehen Sie mit Vernunft an die Arbeit mit einem Elektrowerkzeug. Benutzen Sie kein Elektrowerkzeug, wenn Sie müde sind oder unter dem Einfluss von Drogen, Alkohol oder Medikamenten stehen. Ein Moment der Unachtsamkeit beim Gebrauch des Elektrowerkzeugs kann zu ernsthaften Verletzungen führen.
- Tragen Sie persönliche Schutzausrüstung und immer eine Schutzbrille. Das Tragen persönlicher Schutzausrüstung, wie Staubmaske, rutschfeste Sicherheitsschuhe, Schutzhelm oder Gehörschutz, je nach Art und Einsatz des Elektrowerkzeugs, verringert das Risiko von Verletzungen.
- Vermeiden Sie eine unbeabsichtigte Inbetriebnahme. Vergewissern Sie sich, dass das Elektrowerkzeug ausgeschaltet ist, bevor Sie es an die Stromversorgung und/oder den Akku anschließen, es aufnehmen oder tragen. Wenn Sie beim Tragen des Elektrowerkzeugs den Finger am Schalter haben oder das Gerät eingeschaltet an die Stromversorgung anschließen, kann dies zu Unfällen führen.
- Entfernen Sie Einstellwerkzeuge oder Schraubenschlüssel, bevor Sie das

Elektrowerkzeug einschalten. Ein Werkzeug oder Schlüssel, der sich in einem drehenden Geräteteil befindet, kann zu Verletzungen führen.

- **Vermeiden Sie eine abnormale Körperhaltung. Sorgen Sie für einen sicheren Stand und halten Sie jederzeit das Gleichgewicht.** Dadurch können Sie das Elektrowerkzeug in unerwarteten Situationen besser kontrollieren.
- **Tragen Sie geeignete Kleidung. Tragen Sie keine weite Kleidung oder Schmuck. Halten Sie Haare und Kleidung fern von sich bewegenden Teilen.** Lockere Kleidung, Schmuck oder lange Haare können von sich bewegenden Teilen erfasst werden.
- **Wenn Staubabsaug- und -auffangeinrichtungen montiert werden können, sind diese anzuschließen und richtig zu verwenden.** Verwendung einer Staubabsaugung kann Gefährdungen durch Staub verringern.
- **Wiegen Sie sich nicht in falscher Sicherheit und setzen Sie sich nicht über die Sicherheitsregeln für Elektrowerkzeuge hinweg, auch wenn sie nach vielfachem Gebrauch mit dem Elektrowerkzeug vertraut sind.** Achtloses Handeln kann binnen Sekundenbruchteilen zu schweren Verletzungen führen.

VERWENDUNG UND BEHANDLUNG DES ELEKTROWERKZEUGS

- **Überlasten Sie das Gerät nicht. Verwenden Sie für Ihre Arbeit das dafür bestimmte Elektrowerkzeug.** Mit dem passenden Elektrowerkzeug arbeiten Sie besser und sicherer im angegebenen Leistungsbereich.
- **Benutzen Sie kein Elektrowerkzeug, dessen Schalter defekt ist.** Ein Elektrowerkzeug, das sich nicht mehr ein- oder ausschalten lässt, ist gefährlich und muss repariert werden.
- **Ziehen Sie den Stecker aus der Steckdose und/oder entfernen Sie einen abnehmbaren Akku, bevor Sie Geräteeinstellungen vornehmen, Zubehörteile wechseln oder das Gerät weglegen.** Diese Vorsichtsmaßnahme verhindert den unbeabsichtigten Start des Elektrowerkzeugs.
- **Bewahren Sie unbenutzte Elektrowerkzeuge außerhalb der Reichweite von Kindern auf. Lassen Sie Personen das Gerät nicht benutzen, die mit diesem nicht vertraut sind oder diese Anweisungen nicht gelesen haben.** Elektrowerkzeuge sind gefährlich, wenn Sie von unerfahrenen Personen benutzt werden.
- **Pflegen Sie Elektrowerkzeuge und Zubehör mit Sorgfalt. Kontrollieren Sie, ob bewegliche Teile einwandfrei funktionieren und nicht klemmen, ob Teile gebrochen oder so beschädigt sind, dass die Funktion des Elektrowerkzeugs beeinträchtigt ist. Lassen Sie beschädigte Teile vor dem Einsatz des Gerätes reparieren.** Viele Unfälle haben ihre Ursache in schlecht gewarteten Elektrowerkzeugen.
- **Halten Sie Schneidwerkzeuge scharf und sauber.**

Sorgfältig gepflegte Schneidwerkzeuge mit scharfen Schneidkanten verklemmen sich weniger und sind leichter zu führen.

- **Verwenden Sie Elektrowerkzeug, Zubehör, Einsatzwerkzeuge usw. entsprechend diesen Anweisungen.** Berücksichtigen Sie dabei die Arbeitsbedingungen und die auszuführende Tätigkeit. Der Gebrauch von Elektrowerkzeugen für andere als die vorgesehenen Anwendungen kann zu gefährlichen Situationen führen.
- **Halten Sie Griffe und Griffflächen trocken, sauber und frei von Öl und Fett.** Rutschige Griffe und Griffflächen erlauben keine sichere Bedienung und Kontrolle des Elektrowerkzeugs in unvorhergesehenen Situationen.

SERVICE

- **Lassen Sie Ihr Elektrowerkzeug nur von qualifiziertem Fachpersonal und nur mit Original-Ersatzteilen reparieren.** Damit wird sichergestellt, dass die Sicherheit des Gerätes erhalten bleibt.

SICHERHEITSWARNUNGEN FÜR DIE STANDBOHRMASCHINE

- **Die Bohrmaschine muss gesichert werden.** Eine nicht richtig befestigte Bohrmaschine kann sich bewegen oder kippen und dies kann zu Verletzungen führen.
- **Das Werkstück muss an der Werkstückauflage eingespannt oder befestigt werden. Bohren Sie nicht in Werkstücke, die zu klein sind zum sicheren Einspannen.** Festhalten des Werkstücks von Hand kann zu Verletzungen führen.
- **Tragen Sie keine Handschuhe.** Handschuhe können von sich drehenden Teilen oder Bohrspänen erfasst werden und so zu Verletzungen führen.
- **Halten Sie Ihre Hände vom Bohrbereich fern, während das Elektrowerkzeug läuft.** Der Kontakt mit sich drehenden Teilen oder Bohrspänen kann zu Verletzungen führen.
- **Das Bohrwerkzeug muss sich drehen, bevor Sie es an das Werkstück führen.** Sonst kann sich das Bohrwerkzeug im Werkstück verhaken und so eine unerwartete Bewegung des Werkstücks und Verletzungen verursachen.
- **Sollte das Bohrwerkzeug blockieren, drücken Sie nicht weiter nach unten und schalten Sie das Elektrowerkzeug aus. Untersuchen und beseitigen Sie die Ursache für das Blockieren.** Blockieren kann zu einer unerwarteten Bewegung des Werkstücks und zu Verletzungen führen.
- **Vermeiden Sie lange Bohrspäne, indem Sie den Druck nach unten regelmäßig unterbrechen.** Scharfe Metallspäne können sich verfangen und zu Verletzungen führen.
- **Entfernen Sie niemals Bohrspäne aus dem Bohrbereich, während das Elektrowerkzeug läuft. Zum Entfernen von Spänen bewegen Sie das Bohrwerkzeug vom Werkstück weg, schalten Sie das Elektrowerkzeug aus und**

Übersetzung der originalanleitung



warten Sie den Stillstand des Bohrwerkzeugs ab. Verwenden Sie Hilfsmittel wie eine Bürste oder einen Haken, um die Späne zu entfernen. Der Kontakt mit sich drehenden Teilen oder Bohrspänen kann zu Verletzungen führen.

- Die zulässige Drehzahl von Einsatzwerkzeugen mit Bemessungsdrehzahl muss mindestens so hoch sein wie die auf dem Elektrowerkzeug angegebene Höchstdrehzahl. Zubehör, das sich schneller als zulässig dreht, kann zerbrechen und umherfliegen.
- Die Bits sauber und geschärft halten. Geschärfte Bits minimieren Blockierungen. Verschmutzte und stumpfe Bits können eine Fehlausrichtung des Materials und mögliche Verletzungen des Bedieners verursachen.
- Hände vom Arbeitsbereich fernhalten. Hände vom Bit fernhalten. Befestigen Sie lose Kleidung, Schmuck, lange Haare, etc. Diese Gegenstände könnten sich im Bit verwickeln.
- Benutzen Sie Spannvorrichtungen), um das Werkstück festzuspannen. Bearbeiten Sie keine Werkstücke, die zu klein zum Festspannen sind. Wenn Sie das Werkstück mit der Hand festhalten, können Sie es nicht ausreichend gegen Verdrehen sichern und sich verletzen.
- Stellen Sie vor Arbeitsbeginn die richtige Drehzahl ein. Die Drehzahl muss dem Bohrdurchmesser und dem zu bohrenden Material angemessen sein. Bei einer falsch eingestellten Drehzahl kann sich das Einsatzwerkzeug im Werkstück verhaken.
- Stellen Sie sicher, dass der Bohrer oder das Schneidwerkzeug sicher im Spannfutter befestigt ist.
- Achten Sie darauf, dass der Spannfutterschlüssel aus dem Spannfutter entfernt wurde, bevor Sie die Stromversorgung oder das Gerät einschalten.
- Stellen Sie den Tisch oder Tiefenanschlag ein, um ein Bohren in den Tisch zu vermeiden. Schalten Sie die Stromversorgung aus, entfernen Sie das Bit und reinigen Sie den Tisch vor dem Verlassen des Geräts.
- Vermeiden Sie es, den Laserstrahl in Augen zu richten.
- Achten Sie stets darauf, dass der Laserstrahl auf eine Oberfläche ohne reflektierende Eigenschaften gerichtet ist. Glänzende reflektierende Materialien sind nicht für den Lasergebrauch geeignet.
- Bringen Sie Ihre Finger niemals in eine Position, in der sie den Bohrer oder Schneidwerkzeug berühren könnten, sollte sich das Werkstück unerwartet verschieben.
- Führen Sie keine Operation durch, in der sich Kopf und Tisch aufeinander zu bewegen. Schalten Sie den Motorschalter nicht ein oder führen eine Tätigkeit durch, bevor Sie überprüft haben, ob der Kopf und Tischhalter-Feststellhebel an der Säule festgeklemmt ist und der Kopf und die Tischstütze

richtig positioniert sind.

- Stellen Sie vor dem Einschalten des Netzschalters sicher, dass der Riemenschutz unten und das Spannfutter richtig installiert ist.
- Verriegeln Sie den Motorschalter beim Verlassen der Vorrichtung. Führen Sie keine Layout-, Montage- oder Einrichtarbeiten am Tisch aus, während das Schneidwerkzeug rotiert, eingeschaltet oder an eine Stromquelle angeschlossen ist.
- Falls das Stromkabel beschädigt sein sollte, darf es, um jegliche Risiken zu vermeiden, ausschließlich durch den Hersteller oder ein autorisiertes Kundendienstzentrum ausgetauscht werden.
- Bewahren Sie das unbenutzte Elektrowerkzeug sicher auf. Der Lagerplatz muss trocken und abschließbar sein. Dies verhindert, dass das Elektrowerkzeug durch die Lagerung beschädigt oder von unerfahrenen Personen bedient wird.
- Es wird empfohlen, das Gerät immer über eine Fehlerstromeinrichtung mit einem Nenn-Fehlerstrom von maximal 30 mA zu betreiben.
- Bewahren Sie diese Anleitung auf. Lesen Sie sie regelmäßig nach und verwenden Sie sie zur Einweisung anderer Anwender. Sollten Sie dieses Werkzeug jemandem leihen, geben Sie dieser Person auch diese Anleitung.

SICHERHEITSHINWEISE LASER

- Die in dem Produkt verwendete Laserstrahlung entspricht Klasse 2, mit einem Maximum von 1 mW und einer Wellenlänge von 650 nm. Nicht in den Strahl blicken. Nichteinhaltung dieser Sicherheitshinweise können zu ernst Verletzungen führen.
- Blicken Sie beim Betrieb nicht direkt in den Strahl.
- Richten Sie den Laserstrahl nicht direkt in die Augen von anderen Personen. Dies kann zu schweren Augenverletzungen führen.
- Bringen Sie den Laser nicht in eine Position, die dazu führen könnte, dass eine Person absichtlich, oder unbeabsichtigt in den Laserstrahl schaut.
- Benutzen Sie keine optischen Geräte um den Laserstrahl zu betrachten.
- Benutzen Sie den Laser nicht in der Nähe von Kindern und erlauben Sie Kindern nicht, den Laser zu benutzen.
- Versuchen Sie nicht den Laser selber zu reparieren.
- Versuchen Sie nicht, irgendein Teil des Lasergerätes selber zu wechseln.
- Alle Reparaturen dürfen nur von dem Hersteller des Lasers oder einem autorisierten Kundendienst durchgeführt werden.
- Ersetzen Sie den Laser nicht mit einem anderen Typ.



RESTRISIKEN

Sogar wenn das Produkt wie vorgeschrieben benutzt wird, ist es unmöglich ein gewisses Restrisiko vollständig auszuschließen. Der Benutzer sollte besonders und zusätzlich auf diese Punkte achten, um die Gefahr schwerer Verletzungen zu verringern.

- Lärm kann zu Gehörschäden führen. – Tragen Sie einen Gehörschutz und schränken Sie die Belastung ein.
- Verletzung der Augen – Tragen Sie einen Augenschutz oder eine Schutzbrille, wenn Sie das Produkt benutzen.
- Durch Vibrationen verursachte Verletzungen. – Schränken Sie die Belastung ein und befolgen die Anweisungen zur Risikoverringering in dieser Bedienungsanleitung
- Verletzung der Atemwege durch Staub, der bei der Benutzung des Produktes entsteht. – Tragen Sie eine geeignete Schutzausrüstung, je nach Art des Staubs.

⚠️ WARNUNG

Bestimmte Staubarten, die durch Schleifen, Sägen, Abschleifen, Bohren und andere Tätigkeiten im Hausbau entstehen können, enthalten chemische Produkte, die möglicherweise krebserregend sind und zu angeborenen Anomalien oder Fruchtbarkeitsproblemen führen können. Die folgende Liste enthält einige Beispiele für diese chemischen Produkte:

- Blei, in Farben auf Bleibasis,
- kristallisiertes Siliziumdioxid, das in einigen Zementarten, Ziegeln und anderen Mauerprodukten enthalten ist,
- Arsen und Chrom in bestimmten chemisch behandelten Holzarten.

Die mit diesen Produkten verbundenen Risiken variieren je nach Häufigkeit dieser Art von Arbeiten. Um die Risiken einer Belastung durch diese Produkte zu reduzieren, sollten Sie in einer gut belüfteten Umgebung arbeiten und zugelassene Schutzausrüstungen verwenden, wie z. B. spezifische Staubschutzmasken, um die mikroskopischen Partikel zu filtern.

SICHERHEIT

Benutzen Sie nur Verlängerungskabel mit 3 Litzen und Stecker und Steckdosen mit 3 Kontakten. Wenn Sie das Elektrowerkzeug in einer größeren Entfernung von der Stromquelle benutzen, verwenden Sie ein Verlängerungskabel das für die Stromstärke des Produkts ausgelegt ist. Ein zu schwaches Verlängerungskabel verursacht einen Absinken der Netzspannung, und somit einen Leistungsverlust und Überhitzung des Motors.

Bevor Sie ein Verlängerungskabel benutzen,

untersuchen Sie dieses auf lose oder frei liegende Drähte und auf Schnitte und Abnutzungsstellen an der Isolierung.

⚠️ WARNUNG

Halten Sie das Verlängerungskabel aus dem Arbeitsbereich heraus. Legen Sie das Kabel so, dass es sich bei der Arbeit mit dem Werkzeug nicht in Bäumen und Sträuchern, Werkzeugen oder anderen Hindernissen verfangen kann. Die Missachtung dieser Vorschrift kann zu schweren Körperverletzungen führen.

⚠️ WARNUNG

Überprüfen Sie Verlängerungskabel vor jedem Gebrauch. Ersetzen Sie ihn unverzüglich falls er beschädigt sein sollte. Verwenden Sie niemals ein Werkzeug mit beschädigtem Kabel, da ein Berühren des beschädigten Bereichs zu Stromschlag und schweren Verletzungen führen kann!

ELEKTRISCHE VERBINDUNG

Dieses Produkt wird durch einen präzise konstruierten Elektromotor betrieben. Es sollte an eine Stromversorgung mit 220~240 V Wechselstrom (normaler Haushaltsstrom) mit 50 Hz angeschlossen werden. Betreiben Sie dieses Produkt nicht mit Gleichstrom (DC). Ein größerer Spannungsabfall verursacht Leistungsverlust und der Motor überhitzt sich. Falls das Produkt nicht läuft nachdem es an eine Steckdose angeschlossen wurde, überprüfen Sie die Stromversorgung.

GESCHWINDIGKEIT UND LEITUNGSFÜHRUNG

Diese Geschwindigkeit ist nicht konstant und vermindert sich unter Belastung oder einer geringeren Stromspannung. Für die Stromspannung ist die Verdrahtung in einer Werkstatt ebenso wichtig, wie die angegebene Motorleistung. Ein Stromnetz, das nur für Beleuchtung ausgelegt ist, kann den Motor eines Elektrowerkzeugs nicht ausreichend versorgen. Ein Kabel, das für eine kurze Distanz ausreicht, ist möglicherweise für eine größere Distanz nicht geeignet. Ein Anschluss, der dazu geeignet ist, ein Elektrowerkzeug zu unterstützen, ist möglicherweise nicht dazu geeignet, zwei oder drei Werkzeuge zu unterstützen.

ANWEISUNGEN ZUR ERDUNG

Im Falle einer Funktionsstörung oder eines Defekts sorgt die Erdung für einen Weg des geringsten Widerstandes für die elektrische Spannung und verringert so das Risiko eines Stromschlags. Dieses Produkt verfügt über ein Stromkabel mit einem Schutzleiter und einem Schutzstecker. Der Stecker muss in eine entsprechende Steckdose, die ordnungsgemäß installiert und gemäß sämtlicher regionaler Vorschriften und Verordnungen geerdet ist, gesteckt werden.

Nehmen Sie am mitgelieferten Stecker keine Veränderungen vor! Falls der Stecker nicht zu der Steckdose passt, lassen Sie durch einen qualifizierten Elektriker eine ordnungsgemäße Steckdose installieren. Ein unsachgemäßer Anschluss des Geräteschutzleiters kann zu einem Stromschlag führen. Der Leiter mit Isolierung, der über eine grüne Außenfläche mit oder ohne gelbe Streifen verfügt, ist der Geräteschutzleiter. Wenn eine Reparatur oder ein Austausch des Netzkabels oder des Netzsteckers erforderlich ist, schließen Sie den Geräteschutzleiter nicht an einen stromführenden Anschluss an.

Reparieren oder ersetzen Sie beschädigte oder verschlissene Kabel unverzüglich.

EMPFOHLENES ZUBEHÖR

⚠️ WARNUNG

Verwenden Sie für dieses Produkt nur empfohlenes Zubehör.

Befolgen Sie die dem Zubehör beiliegenden Anweisungen. Die Verwendung unsachgemäßer Zubehöerteile kann Gefahren verursachen.

- Bohrer
- Halteklammern
- Bohrer-Schraubstöcke

⚠️ WARNUNG

Verwenden Sie nur Zubehör, das für dieses Produkt entwickelt wurde, um Verletzungen durch umherfliegende abgebrochene Teile vom Werkstücke zu vermeiden.

Verwenden Sie kein Zubehör, es sei denn, Sie haben die Gebrauchsanweisung oder Bedienungsanleitung für dieses Zubehör vollständig gelesen.

PACKUNGSGEHALT

AUSPACKEN UND ÜBERPRÜFEN DES INHALTS

⚠️ WARNUNG

Wenn irgendein Teil fehlt oder beschädigt ist, schließen Sie das Produkt nicht an, bis das fehlende oder beschädigte Teil ersetzt wurde, und die Montage abgeschlossen ist.

Packen Sie das Produkt und alle Teile sorgfältig aus und vergleichen Sie es mit der folgenden Liste.

Um das Produkt vor Feuchtigkeit zu schützen, wurde eine Schutzschicht auf die Arbeitsflächen aufgetragen. Entfernen Sie diese Beschichtung mit einem weichen Tuch, das mit Kerosin oder WD-40 befeuchtet ist.

⚠️ WARNUNG

Zur Vermeidung von Feuer oder toxischen Reaktionen niemals Benzin, Naphtha, Aceton, Lackverdünner oder ähnliche schwerflüchtige Lösungsmittel verwenden, um das Produkt zu reinigen.

Tragen Sie eine Schicht Pastenwachs auf den Tisch, die Säule und Arbeitsflächen auf, um Rost zu verhindern. Wischen Sie alle Teile mit einem sauberen, trockenen Tuch ab.

Artikel	Beschreibung	Mge.
1	Kopfkonstruktion	1
2	Tisch	1
3	Basisplatte	1
4	Zahnstange	1
5	Säulenmontage	1
6	Zahnstangenring	1
7	Führungshebel	3
8	Schneckengetriebe	1
9	Tischfeststellhebel	1
10	Tischkurbel	1
11	Sechskantschrauben	3
12	Bohrfutter	1
13	Bohrfutterschlüssel	1
14	4 mm Sechskantschlüssel	1
15	3 mm Sechskantschlüssel	1

MONTAGE UND EINSTELLUNGEN

⚠️ WARNUNG

Zu Ihrer eigenen Sicherheit dürfen Sie niemals den Stecker einstecken, bis alle Montageschritte abgeschlossen sind und Sie die Sicherheits- und Bedienungsanleitung gelesen und verstanden haben.

⚠️ WARNUNG

Das Produkt ist ein schweres Werkzeug und sollte mit Hilfe von zwei Personen oder mehr angehoben werden, um es sicher zu montieren.

MONTAGE DER SÄULE AUF DEM SOCKEL

Siehe Abbildung 5.

1. Setzen Sie den Sockel auf eine ebene, stabile Unterlage.
2. Passen Sie die Schraubenlöcher in der Säulenbaugruppe den Schraubenlöchern des

- Sockels an.
- Platzieren Sie eine Sechskantschraube in jedes Loch.
 - Ziehen Sie jede Sechskantschraube mit einem einstellbaren Schraubenschlüssel fest.

TISCH AN DIE SÄULENKONSTRUKTION MONTIEREN

Siehe Abbildungen 6 - 10.

- Stecken Sie den Tischfeststellhebel in die Gewindebohrung an der Rückseite der Tischklammer.
HINWEIS: Installieren Sie den Hebel von links nach rechts, so dass er zuerst in die Seite ohne Gewinde der Tischklammer eintritt.
- Führen Sie das Schneckengetriebe durch die Tischkurbel in der Tischklammer. Achten Sie darauf, dass das Schneckengetriebe mit dem Innenzahnrad ineinandergreift.
HINWEIS: Entfernen Sie nicht die Schmierung vom Schneckengetriebe.
- Führen Sie die Zahnstange durch den Schlitz in der Tischklammer, so dass die Zähne nach außen weisen und die längere glatte Endfläche nach oben zeigt. Das Schneckengetriebe sollte an der Zahnstange anliegen.
- Schieben Sie mit beiden Händen den gesamten Tisch und die Zahnstange auf die Säule, bis der Boden der Zahnstange in der Manschette des Sockels und an der Säule positioniert ist.
- Ziehen Sie den Tischfeststellhebel fest, um die Tischbaugruppe an der Säule zu verriegeln.
HINWEIS: Nicht zu fest anziehen.
- Schieben Sie den Zahnstangenring schräg nach unten über die Säule, bis die abgeschrägte Seite mit dem abgeschrägten Ende des Gestells einrastet.
- Ziehen Sie die Stellschraube in der Manschette mit dem Sechskantschlüssel fest. Zur Vermeidung von Säulen- oder Manschettenschäden, ziehen Sie die Stellschraube nicht zu fest an.
HINWEIS: Sie sollten in der Lage sein, den Tisch von einer Seite zu anderen Seite zu bewegen.
- Installieren Sie die Tischkurbel über das Ende des Schneckengetriebes, so dass die flache Seite der Welle mit der Stellschraube zusammenpasst.
- Ziehen Sie die Stellschraube mit dem Sechskantschlüssel fest.

KOPFTEIL INSTALLIEREN

Siehe Abbildung 11.

⚠️ WARNUNG

Der Kopfteil der Standbohrmaschine ist schwer und sollte mit Hilfe von zwei Personen angehoben werden, um den Bohrkopf auf der Säule sicher zu montieren.

- Positionieren Sie den Kopf auf die Säule, wobei das Spannfutter über dem Tisch positioniert ist.
HINWEIS: Das Produkt ist schwer. Holen Sie sich

bei Bedarf Hilfe.

- Schieben Sie den Kopf bis zum Anschlag nach unten. Richten Sie die Tischbaugruppe am Sockel aus und ziehen Sie die beiden Kopfschrauben mit dem Sechskantschlüssel fest.

FÜHRUNGSEBEL INSTALLIEREN

Siehe Abbildung 12.

- Befestigen Sie die drei Führungshebel, indem Sie sie in die Gewindebohrungen in der Nabenbaugruppe eindrehen.

SPANNFUTTER INSTALLIEREN

Siehe Abbildungen 13 - 15.

⚠️ WARNUNG

Vor jeder Montage des Spannfutters an den Bohrkopf müssen alle Kontaktflächen mit einem nicht petroleumbasierten Produkt gereinigt werden. Jegliches Öl oder Fett, das bei der Verpackung dieser Teile verwendet wird, muss entfernt werden, sonst kann sich das Spannfutter während des Betriebs lösen.

- Reinigen Sie die konische Öffnung im Spannfutter mit einem sauberen Tuch und einem nichtalkoholischem Reinigungsmittel. Reinigen Sie alle Ölrückstände und eventuelle Verschmutzungen gründlich.
- Reinigen Sie Kegelflächen auf der Spindel in der gleichen Weise wie oben.
HINWEIS: Stellen Sie sicher, dass keine Fremdpartikel an den Oberflächen haften. Das geringste Schmutz- oder Ölfleck auf einer dieser Oberflächen verhindert, dass das Spannfutter richtig sitzt. Dies führt dazu, dass das Bohrfutter und das Bit zu wackeln beginnt.
- Setzen Sie das Spannfutter auf die Spindel. Das Spannfutter sollte vollständig geöffnet sein, um eine Beschädigung der Backen zu vermeiden.
- Entriegeln Sie die Tischstütze und schwenken Sie den Tisch von der Unterseite des Futters weg.
- Setzen Sie das Spannfutter auf die Spindel und drücken Sie sie dabei ganz nach oben.
- Mit einem Stück Holz, können Sie das Spannfutter schützen. Klopfen Sie das Futter mit einem Klopfer oder Hammer in die richtige Position.

⚠️ ACHTUNG

Gefahr von Sachschäden. Um eine Beschädigung des Spannfutters zu vermeiden, darf das Spannfutter nicht mit einem Metallhammer auf der Spindel angetrieben werden.

DAS SPANNFUTTER ENTFERNEN

- Drehen Sie die Führungshebel, um das Spannfutter in die unterste Position zu bringen.
- Platzieren Sie einen Kugelgelenk-Separator (nicht abgebildet) über das Spannfutter und

klopfen Sie ihn leicht mit einem Hammer oder Gummiklopfer, damit das Futter von der Spindel fällt.
HINWEIS: Niemals mit dem Hammer oder Gummiklopfer direkt auf das Spannfutter schlagen.

HINWEIS: Um eine Beschädigung des Spannfutters zu vermeiden, müssen Sie zuerst die Backen den ganzen Weg anheben und darauf vorbereitet sein, das Spannfutter beim Fallen zu fangen.

BOHRMASCHINE AN ARBEITSFLÄCHE MONTIEREN

Siehe Abbildung 16.

Wenn das Produkt dauerhaft verwendet werden soll, befestigen Sie es sicher an einer Werkbank oder an einer anderen stabilen Fläche.

Falls das Produkt als tragbares Werkzeug benutzt werden soll, verbinden Sie das Produkt in dauerhafter Form mit einem Montagebrett, das einfach an der Werkbank oder auf einer anderen belastbaren Fläche befestigt werden kann. Das Montagebrett sollte ausreichend groß sein, um ein Kippen des Produkts während der Benutzung zu vermeiden. Empfohlen wird ein Brett von guter Qualität, aus Sperrholz oder Spanholz, mit einer Dicke von 19 mm (3/4").

1. Markieren Sie die Öffnungen auf der Oberfläche auf die die Bohrmaschine montiert werden soll. Sie dienen als Schablone für die Löcher im Sockel der Bohrmaschine.
2. Löcher in die Montagefläche bohren.
3. Setzen Sie die Bohrmaschine auf die Montagefläche, wobei die Bohrlöcher im Sockel an die Bohrlöcher in der Montagefläche angepasst werden.
4. Führen Sie die Schrauben (nicht im Lieferumfang enthalten) ein und sichern Sie diese mit Sicherungsscheiben und Sechskantmuttern (nicht im Lieferumfang enthalten).

Bei der Verwendung von Schlüsselschrauben, müssen Sie sicherstellen, dass diese lang genug sind, um durch die Bohrlöcher im Sockel und durch das Material, auf dem die Bohrmaschine montiert wird, durchzugehen. Bei der Verwendung von Maschinenschrauben müssen Sie sicherstellen, dass diese lang genug sind, um durch die Bohrlöcher im Sockel, durch das Material, auf dem die Bohrmaschine montiert wird, und durch die Unterlegscheiben und Sechskantmuttern zu gehen.

HINWEIS: Alle Schrauben müssen von oben eingeführt werden. Bringen Sie die Sicherungsscheiben und Sechskantmuttern von der Unterseite der Werkbank an.

Sobald das Produkt sicher auf einer stabilen Oberfläche montiert ist:

1. Bei eingeschaltetem Motor auf Vibration prüfen.
2. Passen Sie die Befestigungsmaterialien nach Bedarf an und ziehen Sie sie fest.
3. Überprüfen Sie die Tischmontage, um eine sanfte Bewegung entlang der Säule zu gewährleisten.
4. Stellen Sie sicher, dass sich die Spindelwelle gleichmäßig weich bewegt.

BOHRFUTTERSCHLÜSSEL LAGERN

Siehe Abbildung 17.

Der Aufbewahrungshalterung für den Bohrfutterschlüssel befindet sich auf der rechten Seite des Produkts.

SCHRÄGBOHRUNGEN

Siehe Abbildung 18.

HINWEIS: Eine Abschrägungsskala ist enthalten, um annähernde Abschrägungswinkel zu messen. Wenn Präzision notwendig ist, sollte ein Vierkant oder ein anderes Messwerkzeug verwendet werden, um den Tisch zu positionieren. Zur Verwendung der Abschrägungsskala:

1. Ziehen Sie die Mutter am Verriegelungsstift mit einem 10-mm- oder einem einstellbaren Schraubenschlüssel im Uhrzeigersinn fest, um den Stift von seiner Tischstütze zu lösen. Dieser Stift wird benötigt, wenn der Tisch von der Tischstütze auf die 0°-Einstellung zurückgesetzt wird. Nicht wegwerfen.
2. Lösen Sie die Sechskantschraube mit einem 17-mm- oder verstellbaren Schraubenschlüssel.
3. Kippen Sie den Tisch und richten Sie das gewünschte Winkelmaß auf die Nulllinie gegenüber der Skala aus.
4. Ziehen Sie die Neigungssperrbolzen des Tisches fest.
5. Um den Tisch wieder in seine ursprüngliche Position zurückzubringen, lösen Sie den Neigungssperrbolzen des Tisches. Bringen Sie den Tisch in die 0°-Position zurück.
6. Schrauben Sie die Rückstellmutter am Verriegelungsstift am äußeren Gewindeende an. Klopfen Sie vorsichtig mit einem Gummihammer auf den Sicherungsstift, bis er in der Gegenbohrung der Tischklammer sitzt. Ziehen Sie die Mutter fest.

HINWEIS: Die Tisch wurde der Übersichtlichkeit halber von der Abbildung entfernt.

⚠️ WARNUNG

Um Verletzungen zu vermeiden, ziehen Sie immer den Netzstecker aus der Steckdose.

SPINDEL

Siehe Abbildung 20.

Drehen Sie die Führungshebel gegen den Uhrzeigersinn, um die Spindel auf die unterste Position zu senken. Halten Sie das Bohrspannfutter und bewegen Sie es von vorne nach hinten. Wenn ein übermäßiges Spiel vorliegt, gehen Sie wie folgt vor:

1. Lösen Sie die Sicherungsmutter auf der rechten Seite des Produkts mit einem 10-mm-Schlüssel.
2. Drehen Sie die Schraube im Uhrzeigersinn, um das Spiel mit einem Schlitzschraubendreher zu beseitigen, ohne die Aufwärtsbewegung der Spindel zu behindern. (Ein kleines Spiel der Spindel ist normal.)
3. Die Sicherungsmutter festziehen.

RÜCKSTELLFEDER

Siehe Abbildung 21.

Die Rückstellfeder kann eine Verstellung erfordern, falls die Spindelrücklaufgeschwindigkeit zu schnell oder zu langsam ist. Diese Feder befindet sich auf der linken Seite des Bohrkopfes.

1. Senken Sie den Tisch für zusätzlichen Platz.
2. Setzen Sie einen Schraubendreher in die untere vordere Kerbe der Federkappe. Halten Sie ihn fest, während Sie nur die äußere Kontermutter mit einem 10-mm-Schraubenschlüssel lösen und entfernen.
3. Wenn sich der Schraubendreher noch in der Kerbe befindet, lösen Sie die Innenmutter bis die Kerbe aus dem Vorsprung des Bohrkopfes entkuppelt ist.
HINWEIS: Entfernen Sie diese Innenmutter nicht, da sich die Feder zwangsweise abwickelt.
4. Drehen Sie die Federkappe vorsichtig mit dem Schraubendreher gegen den Uhrzeigersinn, wobei die nächste Kerbe einrastet.
5. Senken Sie die Spindel auf die niedrigste Position, indem Sie den Führungshebel gegen den Uhrzeigersinn drehen, während Sie die Federkappe in Position halten.
6. Wenn sich die Spindel nach Belieben nach oben und unten bewegt, ziehen Sie die innere Mutter, die gegen die Federkappe gesunken ist und die Federkappe mit dem Schraubenschlüssel fest. Wenn Sie zu locker sind, wiederholen Sie die Schritte 3 bis 5, um sie festzuziehen. Wenn es zu eng ist, führen Sie die Schritte 4 und 5 in umgekehrter Weise durch.
7. Sichern Sie die Außenmutter mit dem Schraubenschlüssel gegen die Innenmutter.

HINWEIS: Die Federbewegung nicht zu fest anziehen und beschränken.

RIEMENSPIANNUNG

Siehe Abbildung 22.

1. Öffnen Sie die Riemetriebabdeckung.
2. Drehen Sie zum Entriegeln der Riemenspannung den Riemenspannungssperrknopf auf der rechten Seite des Bohrkopfes gegen den Uhrzeigersinn.
3. Ziehen Sie den Motor zur Vorderseite des Produkts, um die Riemenspannung zu lockern.
4. Positionieren Sie den Riemen auf die richtigen Riemenscheibsstufen für die gewünschte Geschwindigkeit.
5. Schieben Sie den Motor vom Bohrkopf, bis der Riemen richtig gespannt ist.
HINWEIS: Die Riemenspannung ist korrekt, wenn der Riemen etwa 13 mm (1/2 Zoll) ableitet, wenn er in seine Mitte gedrückt wird.
6. Ziehen Sie den Riemenspannungssperrknopf fest, um den Motor in Position zu sichern. Schließen Sie die Riemenscheibenabdeckung.

PRÜFEN/JUSTIEREN DER LASERAUSRICHTUNG

Das Produkt ist mit Laser Trac® ausgestattet.

Die Laserstrahlen ermöglichen es Ihnen, den Bitweg des Bohrers auf dem zu bohrenden Werkstück vorher anzusehen, bevor Sie mit der Arbeit beginnen.

⚠️ WARNUNG

Vermeiden Sie direkten Augenkontakt.

Ein Laserlicht wird abgestrahlt, wenn die Laserführung eingeschaltet wird. Vermeiden Sie direkten Augenkontakt. Unterbrechen Sie immer die Stromzufuhr zum Produkt, bevor Sie Veränderungen an den Einstellungen vornehmen.

- Ein Laserpointer ist kein Spielzeug und sollte nicht in die Hände von Kindern gelangen. Ein Missbrauch dieses Geräts kann zu irreparablen Augenverletzungen führen.
- Jede Einstellung zur Erhöhung der Laserleistung ist verboten.
- Wenn Sie den Laserpointer verwenden, richten Sie den Laserstrahl nicht auf Personen und / oder reflektierende Oberflächen. Selbst ein Laserstrahl mit geringerer Intensität kann Augenschäden verursachen. Blicken Sie nicht direkt in den Laserstrahl.
- Der Laserpointer enthält keine Wartungskomponenten. Öffnen Sie niemals das Gehäuse für Reparaturen oder Einstellungen.
- Laser-Warnschild:



- Entfernen oder verunstalten Sie keine Warnschilder. Das Entfernen von Schildern erhöht das Risiko der Strahlung.
- ACHTUNG: Andere Steuerungen oder Einstellungen oder Vorgehensweisen, als die hierin festgelegt, können zum Auftreten gefährlicher Strahlung führen.
- Versuchen Sie nicht, den Laserstand zu reparieren oder zu zerlegen. Wenn unqualifizierte Personen versuchen, dieses Laserprodukt zu reparieren, können schwere Verletzungen auftreten. Alle Reparaturarbeiten an diesem Laserprodukt sollten von autorisierten Kundendienstpersonal durchgeführt werden.
- ACHTUNG: Die Verwendung von optischen Instrumenten mit diesem Produkt erhöht die Augengefährdung.

⚠️ WARNUNG

Verwenden Sie keine getönten Gläser, um das Laserlicht zu verbessern. Getönte Gläser verringern die Gesamtsicht bei der Anwendung und beeinträchtigen den normalen Betrieb des Werkzeugs.

⚠️ WARNUNG

Laserstrahlung. Richten Sie niemals den Strahl auf ein Werkstück mit einer reflektierenden Oberfläche. Helle, glänzende, reflektierende Stahlbleche oder ähnliche reflektierende Oberflächen werden für den Lasereinsatz nicht empfohlen. Die reflektierende Oberfläche könnte den Strahl auf den Benutzer oder andere Personen zurückreflektieren.

EINSTELLEN DER LASERLINIEN

Siehe Abbildung 23.

Prüfen Sie die Laserausrichtung, um sicherzustellen, dass der Schnittpunkt der Laserlinien genau an der Stelle liegt, an der das Bohrerbit das Werkstück trifft. Falls dies nicht der Fall ist, sollten die Laserlinien mit Hilfe der Laser-Einstellknöpfe eingestellt werden, die sich auf den gegenüberliegenden Seiten der Kopfkonstruktion befinden.

1. Markieren Sie ein "X" auf einem Stück Holzabfall.
2. Legen Sie ein kleines Bohrerbit in das Spannfutter ein und richten Sie seine Spitze auf den Schnittpunkt der Linien des "X".
3. Sichern Sie das Brett auf dem Tisch.
4. Schalten Sie die Laserführung ein und kontrollieren Sie die Laserlinien, die am "X" des Werkstücks ausgerichtet sein müssen.
5. Wenn die Laserlinien nicht ausgerichtet sind, lösen Sie die Stellschrauben auf jedem der Lasergehäuse mit einem Sechskantschlüssel und drehen Sie die Lasereinstellknöpfe, bis sich die Linien in der Mitte des "X" treffen. Ziehen Sie die Stellschrauben wieder fest.

BETRIEB

⚠️ WARNUNG

Achten Sie darauf, dass Vertrautheit mit Werkzeugen Sie nicht nachlässig werden lässt! Denken Sie daran, dass eine Unkonzentriertheit für einen Sekundenbruchteil genügen kann, um eine schwere Verletzung zu verursachen.

⚠️ WARNUNG

Tragen Sie bei der Arbeit mit Werkzeugen immer eine Schutzbrille mit Seitenschutz. Die Missachtung dieser Anweisung kann dazu führen, dass Fremdkörper in Ihre Augen fliegen und schwere Augenverletzungen verursachen können.

⚠️ WARNUNG

Verwenden Sie nur vom Hersteller empfohlene Komponenten oder Zubehörteile für dieses Gerät. Die Verwendung von nicht empfohlenen Komponenten oder Zubehörteilen kann zu schweren Verletzungen führen.

⚠️ WARNUNG

Um mögliche Verletzungen zu vermeiden, halten Sie die Schutzvorrichtung während des Betriebs des Gerätes geschlossen und unverändert.

GESCHWINDIGKEIT UND RIEMENANORDNUNG ÄNDERN

Siehe Abbildung 24.

Die Spindelgeschwindigkeit wird durch die Lage des Riemens auf den Riemenscheiben innerhalb der Kopfanordnung bestimmt. Das Geschwindigkeitsdiagramm, das sich auf der Innenseite der Abdeckung innerhalb der Kopfanordnung befindet, zeigt die empfohlene Geschwindigkeit und die Riemenscheibenkonfiguration für jeden Bohrvorgang.

Änderung der Riemenscheibenkonfiguration:

1. Heben Sie Riemenscheibenabdeckung an.
2. Lösen Sie den Zugbolzen.
3. Entfernen Sie den Riemen.
4. Positionieren Sie den Riemen entsprechend dem Geschwindigkeitsdiagramm neu.
5. Ziehen Sie den Zugbolzen wieder fest.

HINWEIS: Siehe Abschnitt "Empfohlene Bohrgeschwindigkeit" für die Bohrerbitgröße und die Bohrgeschwindigkeitsempfehlungen.

EMPFOHLENE BOHRGESCHWINDIGKEIT

Bohrerbit- durchmesser (Zoll)	Material		
	Holz Kunststoffe	Aluminium Zink Messing	Eisen Stahl
1/16	2430	2430	2430
1/8			1800
3/16	1800	1800	1300
1/4			800
5/16	1300	800	800
3/8			1300
1/2	1800	800	510

Ein-/Ausschalter

Siehe Abbildung 25.

Zum Anschalten des Werkzeugs:

1. Drücken Sie die Taste ON (EIN) (I).

Zum Ausschalten des Werkzeugs:

1. Drücken Sie die Taste OFF (AUS) (O).

⚠ WARNUNG

Stellen Sie immer sicher, dass das Werkstück nicht mit dem Bohrerbit in Berührung ist, bevor Sie das Gerät einschalten. Die Nichtbeachtung dieser Warnung kann verursachen, dass das Werkstück zurück auf den Benutzer geschleudert wird, was zu schweren Verletzungen führen kann.

INSTALLIEREN UND ENTFERNEN VON BOHRER-BITS

Siehe Abbildung 26.

1. Ziehen Sie den Netzstecker heraus.
2. Öffnen bzw. schließen Sie die Spannbacken so weit, dass die Öffnung etwas größer ist, als die Größe des Bohrers, den Sie verwenden möchten.
3. Setzen Sie das Bohrerbit in das Spannfutter und in die volle Länge der Backen ein.

⚠ WARNUNG

Setzen Sie das Bohrerbit nicht wie in Abbildung 19 dargestellt in die Spannbacken ein und ziehen Sie es fest. Dies kann dazu führen, dass ein Bohrerbit aus dem Produkt geworfen wird, was zu ernsthaften Verletzungen oder Beschädigungen des Spannfeeders führen kann.

4. Ziehen Sie die Spannbacken mit dem mitgelieferten Bohrfutterschlüssel fest. Versuchen Sie nicht, die Spannbacken mit einem Schraubenschlüssel zu lösen oder festzuziehen!
5. Entfernen Sie den Bohrfutterschlüssel.
6. Um das Bohrerbit zu entfernen, führen Sie die Schritte wie oben beschrieben in umgekehrter Reihenfolge aus.

⚠ WARNUNG

Um Verletzungen oder Unfälle zu vermeiden, wenn der Bohrfutterschlüssel bei eingeschalteter Stromversorgung zwangsweise aus dem Spannfutter ausgeworfen wird, verwenden Sie nur den mit dieser Bohrmaschine gelieferten selbstauswerfenden Bohrfutterschlüssel. Kontrollieren und entfernen Sie immer den Bohrfutterschlüssel, bevor Sie das Gerät einschalten. Setzen Sie den Bohrfutterschlüssel bei Nichtgebrauch in seinen Aufbewahrungshalter.

BOHREN BIS ZU EINER BESTIMMTEN TIEFE

Das Bohren eines Blindlochs (nicht ganz durch das Werkstück) bis zu einer bestimmten Tiefe kann auf zwei Arten erfolgen:

Werkstück-Methode

Siehe Abbildung 27.

1. Markieren der Bohrtiefe auf der Werkstückseite.
2. Mit dem Schalter "OFF" (AUS), bringen Sie das Bohrerbit nach unten, bis die Spitze mit der Markierung auf einer Ebene liegt.
3. Halten Sie den Führungshebel an dieser Position.
4. Drehen Sie die untere Mutter nach unten, bis sie den Tiefenanschlag auf dem Kopf zu berührt.
5. Drehen Sie die obere Mutter nach unten und ziehen Sie sie gegen die untere Mutter fest.
6. Das Bohrerbit hält jetzt an, nachdem sie den auf dem Werkstück markierten Abstand zurückgelegt hat.

Tiefenmessmethode

Siehe Abbildung 28.

HINWEIS: Wenn sich das Spannfutter in der oberen Position befindet, muss sich die Spitze des Bohrers nur etwas oberhalb der Oberseite des Werkstücks befinden.

1. Mit dem Schalter in der "OFF"-Position, drehen Sie den Führungshebel bis der Zeiger auf die gewünschte Tiefe der Tiefenskala zeigt und halten Sie den Führungshebel in dieser Position.
2. Drehen Sie die untere Mutter nach unten, bis sie den Tiefenanschlag berührt.
3. Drehen Sie die obere Mutter gegen die untere Anschlagmutter und ziehen Sie sie fest.
4. Das Bohrerbit hält an, nachdem es den auf der Tiefenskala ausgewählten Abstand zurückgelegt hat.

Bohren eines Loches

1. Bringen Sie mit einem Körner oder einem scharfen Nagel eine Vertiefung in das Werkstück ein, wo Sie bohren möchten.
2. Schalten Sie die Laserführung ein und richten Sie die Laserlinien an der Vertiefung aus.
3. Schalten Sie den Netzschalter ein und ziehen Sie die Führungshebel mit nur genügend Kraft nach unten, damit der Bohrer schneiden kann.

Eine zu schnelle Zuführung kann dazu führen, dass der Riemen oder der Bohrer rutscht, das Werkstück zerreißt oder die Bohrspitze zerbricht.

Beim Bohren von Metall ist es notwendig, das Bit des Bohrers mit Metallbohröl zu schmieren, um eine Überhitzung zu verhindern.

ZU IHREM SCHUTZ**⚠ WARNUNG**

Um nicht in das Elektrowerkzeug gezogen werden, tragen Sie keine lockere Kleidung, Handschuhe, Krawatten oder Schmuck. Binden Sie lange Haare immer zusammen.

1. Wenn irgendein Teil Ihres Produkts fehlt, defekt, beschädigt oder kaputt ist, beenden Sie sofort den Betrieb, bis dieses Teil ordnungsgemäß repariert oder ersetzt wurde.
2. Bringen Sie niemals die Finger in eine Position, in der



Sie den Bohrer oder ein anderes Schneidwerkzeug des Werkstücks berühren könnten. Das Werkstück kann sich unerwartet verschieben oder Ihre Hand könnte rutschen.

3. Um zu verhindern, dass das Werkstück aus Ihren Händen gerissen, geworfen, durch das Werkzeug geschleudert oder zerstört wird, unterstützen Sie Ihr Werkstück immer wie folgt:
 - Setzen Sie immer das Sicherungsmaterial (unter dem Werkstück) so ein, dass es die linke Seite der Säule berührt.
 - Positionieren Sie nach Möglichkeit das Werkstück so, dass es die linke Seite der Säule berührt. Wenn es zu kurz ist oder der Tisch geneigt ist, klemmen Sie es mit Hilfe der Tischschlitze solide am Tisch fest.
 - Wenn Sie einen Schraubstock verwenden (nicht im Lieferumfang enthalten) befestigen Sie ihn immer am Tisch.
 - Arbeiten Sie niemals freihändig, (wenn Sie das Werkstück freihändig halten, anstatt es auf dem Tisch zu befestigen) außer beim Polieren oder Schleifen.
 - Sichern Sie den Kopf und die Halterung sicher an der Säule, den Tischarm an der Halterung und den Tisch am Tischarm, vor dem Anschalten der Bohrmaschine.
 - Bewegen Sie niemals den Kopf oder den Tisch, während das Werkzeug in Betrieb ist.
 - Betätigen Sie vor Beginn den Motorschalter, um sicherzustellen, dass der Bohrer oder andere Schneidwerkzeuge nicht wackeln oder Vibrationen verursachen.
 - Wenn ein Werkstück über dem Tisch überhängt, wird es herunterfallen oder kippen, wenn es nicht gehalten wird. Klemmen Sie es an den Tisch oder stellen Sie zusätzliche Stützvorrichtungen zur Verfügung.
 - Verwenden Sie Vorrichtungen für ungewöhnliche Arbeiten, um das Werkstück ausreichend zu halten, zu führen und zu positionieren.
 - Verwenden Sie die für die jeweilige Arbeit und das Werkstückmaterial die empfohlene Spindelgeschwindigkeit. Überprüfen Sie das Bedienfeld auf der inneren Riemenscheibenabdeckung oder lesen Sie zum Bohren den Abschnitt "Empfohlene Bohrgeschwindigkeit" für Geschwindigkeitsinformationen. Für Zubehörinformationen, lesen Sie die Anleitung des jeweiligen Zubehörs.
4. Steigen Sie niemals auf den Bohrtisch, er könnte brechen oder die gesamte Bohrmaschine könnte herunterfallen.
5. Schalten Sie das Gerät aus, wenn Sie das Produkt verlassen.
6. Zur Vermeidung von Verletzungen durch Werkstück- oder Werkzeugkontakt führen Sie keine Planungs-, Montage- oder Einrichtarbeiten am Tisch aus, während sich das Schneidwerkzeug dreht.

TISCH UND WERKSTÜCK POSITIONIEREN

Siehe Abbildung 29-30.

1. Sichern Sie den Tisch an der Säule an einer Stelle, an der sich die Spitze des Bohrerbits knapp oberhalb der Oberseite des Werkstücks befindet.
2. Legen Sie immer ein Stück Sicherungsmaterial (Abfallholz) auf den Tisch unter das Werkstück. Dadurch werden Splitter oder schwere Grate an der Unterseite des Werkstückes vermieden. Damit sich das Sicherungsmaterial nicht dreht, muss es gegen die linke Seite der Säule positioniert werden.
3. Nutzen Sie für überhängende Teile des Werkstücks eine angemessene Stütze.

⚠️ WARNUNG

Um zu verhindern, dass das Werkstück oder das Sicherungsmaterial beim Bohren weggeschleudert wird, MÜSSEN Sie das Werkstück gegen die linke Seite der Säule positionieren. Wenn das Werkstück oder das Sicherungsmaterial nicht lang genug ist, um die Säule zu erreichen, klemmen Sie es an den Tisch, um das Werkstück zu spannen. Wenn das Werkstück nicht richtig gesichert wird, kann es zu Verletzungen kommen.

⚠️ WARNUNG

Zur Vermeidung von Verletzungen von einem sich drehenden Werkstück oder beschädigten Schraubstock oder Bitteilen, muss der Schraubstock eingespannt oder verschraubt werden.

EINE BOHRSTELLE HALTEN

1. Bringen Sie mit einem Körner oder einem scharfen Nagel eine Vertiefung in das Werkstück ein, wo Sie bohren werden.
2. Schalten Sie die Laserführung ein und richten Sie die Laserlinien (x) an der Vertiefung aus, bevor Sie den Bohrer einschalten.

NEIGEN DES SÄGETISCHS

Siehe Abbildung 31.

HINWEIS: Die Tischstütze verfügt über ein vorgebohrtes Loch mit einem eingesetzten Verriegelungsstift, der zum Verriegeln des Tisches in einem vorgebohrten Schrägungswinkel von 0° vorgesehen ist.

1. Ziehen Sie die Mutter am Verriegelungsstift mit einem 10-mm- oder einem einstellbaren Schraubenschlüssel im Uhrzeigersinn fest, um den Stift von seiner Tischstütze zu lösen. Dieser Stift wird benötigt, wenn der Tisch von der Tischstütze auf die 0°-Einstellung zurückgesetzt wird.
2. Lösen Sie die Sechskantschraube mit einem 17-mm- oder verstellbaren Schraubenschlüssel.



⚠️ WARNUNG

Um Verletzungen zu vermeiden, stellen Sie sicher, dass sich die Tisch- und Tischarm-Konstruktion nicht drehen oder kippen kann.

- Kippen Sie den Tisch und richten Sie das gewünschte Winkelmaß auf die Nulllinie gegenüber der Skala aus.
- Ziehen Sie die Neigungssperrbolzen des Tisches fest.
- Um den Tisch wieder in seine ursprüngliche Position zurückzubringen, lösen Sie den Neigungssperrbolzen des Tisches. Bringen Sie den Tisch in die 0°-Position zurück.
- Schrauben Sie die Rückstellmutter am Verriegelungsstift am äußeren Gewindeende an. Klopfen Sie vorsichtig auf den Verriegelungsstift, bis er in der Gegenbohrung der Tischklammer sitzt. Ziehen Sie die Mutter fest.

⚠️ WARNUNG

Um Verletzungen durch Dreharbeiten oder Werkzeugbrüche zu vermeiden, klemmen Sie das Werkstück und das Sicherungsmaterial vor dem Betätigen der Bohrmaschine immer fest an den Tisch.

ZUFÜHRUNG

- Ziehen Sie die Führungshebel mit genügend Kraft nach unten, damit der Bohrer schneiden kann.
- Zu langsame Zuführung kann dazu führen, dass das Bohrerbit brennt. Eine zu schnelle Zuführung kann dazu führen, dass der Riemen oder der Bohrer rutscht, das Werkstück zerreißt oder das Bohrerbit zerbricht.
- Beim Bohren von Metall ist es notwendig, die Bohrbitzspitze mit Öl zu schmieren, um ein Brennen des Werkstücks und des Bohrerbits zu verhindern.

WARTUNG UND PFLEGE**⚠️ WARNUNG**

Schalten Sie zu Ihrer eigenen Sicherheit das Gerät aus und ziehen Sie den Netzstecker aus der Steckdose, bevor die Bohrmaschine gewartet oder geschmiert wird.

Blasen Sie regelmäßig mit einem Luftkompressor oder Staubabsauger das gesamte Sägemehl oder die Metallsplinter aus, die sich im Inneren des Motors, des Riemengehäuses, des Tisches und der Arbeitsfläche ansammeln. Tragen Sie immer eine Sicherheitsbrille, wenn Sie das Werkzeug benutzen.

⚠️ WARNUNG

Um einen elektrischen Schock oder Brandgefahr zu vermeiden, muss das Netzkabel, falls es verschlissen oder beschädigt ist, sofort durch einen qualifizierten Elektriker oder Servicetechniker ersetzt werden.

ÖLEN

Alle Bohrkugellager sind werksseitig ausreichend geschmiert wurden. Sie müssen nicht gefettet werden.

Schmieren Sie regelmäßig das Zahnrad und die Zahnstange, den Tisch-Hebemechanismus der Spindel, die Zahnstange (Zahn) der Feder. Senken Sie die Spindel ab und ölen Sie die Spindelhülse alle drei Monate angemessen.

Siehe Abbildung 32.

Unterbrechen Sie zum Transportieren des Geräts die Stromzufuhr und achten Sie darauf, dass alle Teile sicher befestigt sind. In Abb. 32 sind die Griffbereiche zum Anheben des Geräts dargestellt.

Lagern Sie das Produkt an einem sicheren Ort, der für Kinder nicht zugänglich ist.

Reinigen Sie das Produkt mit einer Bürste und einem Staubsauger, bevor Sie es einlagern.

SYMBOL

Sicherheitswarnung



Europäisches Konformitätskennzeichen



Britisches Konformitätskennzeichen



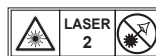
Ukrainisches Konformitätskennzeichen



EurAsian Konformitätszeichen



Bitte lesen Sie die Anweisungen sorgfältig durch, bevor Sie das Produkt einschalten.



Laserstrahlung.

Blicken Sie nicht in den Laserstrahl.

Klasse 2 Laserprodukt



Nicht Regen aussetzen, oder an feuchten Orten verwenden!



Gehörschutz tragen



Tragen Sie immer Augenschutz!



Bohrfutterbereich



Spindelweg



Bohrerausrichtung



Bohrerbitdurchmesser (Zoll)



Holz



Aluminium
Zink
Messing



Eisen
Stahl



Entsorgen Sie Elektro- und Elektronik-Altgeräte nicht als unsortierten Siedlungsabfall. Elektro- und Elektronikaltgeräte müssen getrennt gesammelt werden. Alte Lichtquellen müssen aus den Geräten entfernt werden. Informieren Sie sich bei den örtlichen Behörden oder bei Ihrem Einzelhändler über Recyclingoptionen und die Entsorgungseinrichtung. Je nach den örtlichen Vorschriften können Einzelhändler dazu verpflichtet sein, Elektro- und Elektronik-Altgeräte kostenlos zurückzunehmen. Ihr Beitrag zur Wiederverwendung und zum Recycling von Elektro- und Elektronikaltgeräten trägt dazu bei, den Bedarf an Rohstoffen zu verringern. Elektro- und Elektronik-Altgeräte enthalten wertvolle und wiederverwertbare Materialien, die sich negativ auf die Umwelt und die menschliche Gesundheit auswirken können, wenn sie nicht auf umweltverträgliche Weise entsorgt werden. Löschen Sie ggf. personenbezogene Daten aus Altgeräten.

FEHLERBEHEBUNG

Problem	Möglicher Grund	Lösung
Geräuschintensiver Betrieb.	<ol style="list-style-type: none"> 1. Falsche Riemenspannung. 2. Die Spindel ist trocken. 3. Der Spindelriemen ist lose. 4. Die Motorriemenscheibe ist lose. 	<ol style="list-style-type: none"> 1. Spannung einstellen. Siehe Abschnitt "Riemenspannung". 2. Spindel schmieren. Siehe Abschnitt "Schmierung". 3. Dichtigkeit der Sicherungsmutter auf der Riemenscheibe prüfen und gegebenenfalls anziehen. 4. Die Stellschraube in der Riemenscheibe festziehen.
Bohrerbit brennt.	<ol style="list-style-type: none"> 1. Falsche Geschwindigkeit. 2. Splitter kommen nicht aus der Öffnung. 3. Bohrer ist stumpf. 4. Zuführung ist zu langsam. 5. Nicht geschmiert. 	<ol style="list-style-type: none"> 1. Geschwindigkeit ändern. Siehe Abschnitt "Geschwindigkeit ändern und Riemen wechseln". 2. Bohrer häufig ausziehen, um Splitter zu entfernen. 3. Schärfen Sie den Bohrer von Zeit zu Zeit oder ersetzen Sie ihn durch ein neues Bit. 4. Zuführung schnell genug - lassen Sie den Bohrer schneiden. 5. Bohrer schmieren. Siehe Abschnitt "Zuführung".
Kein Bohrerbit mehr vorhanden, gebohrtes Loch nicht rund.	<ol style="list-style-type: none"> 1. Hartkorn in Holz oder Längen von Schneidwegen und / oder Winkeln sind nicht gleich. 2. Bohrer ist verbogen. 	<ol style="list-style-type: none"> 1. Den Bohrer richtig schärfen. 2. Bohrerbit austauschen.
Holzspäne an der Unterseite.	<ol style="list-style-type: none"> 1. Kein Sicherungsmaterial unter dem Werkstück. 	<ol style="list-style-type: none"> 1. Verwenden Sie Sicherungsmaterial. Siehe Abschnitt "Betrieb".
Werkstück aus der Hand gerissen.	<ol style="list-style-type: none"> 1. Das Werkstück wird nicht abgestützt oder ist nicht richtig festgeklemmt. 	<ol style="list-style-type: none"> 1. Das Werkstück stützen oder festklemmen. Siehe Abschnitt "Betrieb".
Bohrerbit klemmt im Werkstück.	<ol style="list-style-type: none"> 1. Das Werkstück drückt auf das Bohrerbit oder es herrscht übermäßiger Zuführdruck. 2. Falsche Riemenspannung. 	<ol style="list-style-type: none"> 1. Das Werkstück stützen oder festklemmen. Siehe Abschnitt "Betrieb". 2. Spannung einstellen. Siehe Abschnitt "Riemenspannung".
Übermäßiger Bohrerbitauslauf oder Wackeln.	<ol style="list-style-type: none"> 1. Bohrer ist verbogen. 2. Die Lager sind verschlissen. 3. Bohrer nicht richtig im Spannfutter installiert. 4. Spannfutter nicht richtig installiert. 	<ol style="list-style-type: none"> 1. Eine gerade Bohrerspitze verwenden. 2. Ersetzen Sie die Lager. 3. Bohrer richtig installieren. Siehe Abschnitt "Betrieb" und "Montage und Einstellungen". 4. Spannfutter richtig installieren. Siehe Abschnitt "Montage des Spannfeeders".
Feder kehrt zu langsam oder zu schnell zurück.	<ol style="list-style-type: none"> 1. Die Spiralfeder hat eine falsche Spannung. 	<ol style="list-style-type: none"> 1. Federspannung einstellen. Siehe Abschnitt "Rückstellfeder".
Spannfutter wird nicht an der Spindel befestigt bleiben. Sie fällt beim Installationsversuch ab.	<ol style="list-style-type: none"> 1. Schmutz, Fett oder Öl auf der konischen Innenfläche des Spannfeeders oder auf der konischen Oberfläche der Spindel. 	<ol style="list-style-type: none"> 1. Die konische Oberfläche des Spannfeeders und der Spindel mit einem nichtalkoholhaltigem Reinigungsmittel reinigen, um Schmutz, Fett und Öl zu entfernen. Siehe Abschnitt "Montage des Spannfeeders".

DESCRIPCIÓN

1. Conjunto del cabezal
2. Banco
3. Base
4. Cremallera
5. Conjunto de la columna
6. Anillo de la cremallera
7. Asas de suministro
8. Engranaje sinfín
9. Manilla de bloqueo de la mesa
10. Manivela de la mesa
11. Pernos de cabeza hexagonal
12. Mandril de sujeción
13. Llave del portabrocas
14. Llave hexagonal de 4 mm
15. Llave hexagonal de 3 mm
16. Destornillador ranurado
17. Llave ajustable
18. Llave de 12 mm
19. Martillo o maza de goma
20. Escuadra combinada
21. Bloque de madera
22. Motor
23. Cabezal láser
24. Bobina/muelle de retorno del eje hueco
25. Soporte de la mesa
26. Cubierta de la polea
27. Interruptor de encendido/apagado
28. Interruptor de láser
29. Protección de seguridad superior
30. Orificio de montaje
31. Tornillo de bloqueo del cabezal
32. Perilla de bloqueo de la tensión de la correa
33. Soporte de la llave del portabrocas
34. Polea del rotor
35. Polea del motor
36. Soporte de la mesa
37. Orificio de la manivela de la mesa
38. Soporte de la columna
39. Tornillo de ajuste
40. Cabezal
41. Tornillo de ajuste del bloqueo del cabezal
42. Orificios roscados
43. Conjunto del buje
44. Husillo
45. Perno x 2 (M12, no incluido)
46. Arandela de bloqueo x 4 (Dia. 12mm, no incluida)
47. Arandela de goma x 2 (Dia. 12mm, no incluida)
48. Arandela plana x 2 (Dia. 12mm, no incluida)
49. Contratuerca x 2 (M12, no incluida)
50. Tuerca hexagonal x 2 (M12, no incluida)
51. Superficie de trabajo
52. Escala de inclinación
53. Perno de bloqueo de bisel de la mesa
54. Tuerca
55. Contratuerca
56. Tornillo
57. Muesca de la parte inferior delantera
58. Tapa del muelle
59. Contratuerca exterior
60. Tuerca interior
61. Ranura
62. Brida
63. Mordazas del portabrocas
64. Broca
65. Profundidad
66. Puntero de la escala de profundidad
67. Escala de profundidad
68. Tuerca superior
69. Tuerca inferior
70. Tope de profundidad
71. Pieza trabajada

La seguridad, el rendimiento y la fiabilidad han sido las máximas prioridades a la hora de diseñar esta taladradora con soporte.

USO PREVISTO

El uso previsto de la taladradora con soporte es la perforación de orificios en madera, plástico, aluminio y acero.

El producto debe ser utilizado por usuarios adultos que hayan leído el manual de instrucciones y que comprendan los riesgos y peligros asociados al uso de este producto.

Este producto se ha diseñado para poder fijar su base a un banco de trabajo sólido. Si la base no está bien fijada, la máquina podría volcar, deslizarse o desplazarse sobre la superficie de apoyo durante su funcionamiento, lo que aumentaría la posibilidad de sufrir un accidente personal grave.

Este producto se debe utilizar en condiciones secas, con una iluminación ambiental excelente y una ventilación adecuada.

El producto está diseñado para uso doméstico y solo debe utilizarse tal como se describe anteriormente y no para otros fines.

INSTRUCCIONES GENERALES DE SEGURIDAD DE LA HERRAMIENTA

⚠ ADVERTENCIA

Lea atentamente todas las advertencias, instrucciones y especificaciones suministradas con la herramienta, y consulte las ilustraciones. El incumplimiento de las instrucciones que se indican a continuación puede ocasionar diversos accidentes como incendios, descargas eléctricas y/o graves heridas corporales.

Guarde todas estas advertencias e instrucciones para futuras referencias. El término "herramienta eléctrica" incluido en las advertencias hace referencia a su herramienta eléctrica conectada a la red eléctrica (con cable) o a su herramienta eléctrica alimentada con batería (inalámbrica).

SEGURIDAD EN EL ÁREA DE TRABAJO

- **Mantenga el área de trabajo limpia y bien iluminada.** Las zonas oscuras o poco despejadas pueden provocar accidentes.
- **No utilice herramientas eléctricas en atmósferas explosivas, como en presencia de gases, polvos o líquidos inflamables.** Las herramientas eléctricas producen chispas que pueden inflamar el polvo o humos.
- **Mantenga a los niños y personas ajenas alejadas de la zona en la que está utilizando la herramienta eléctrica.** Las distracciones pueden hacerle perder el control de la unidad.

SEGURIDAD ELÉCTRICA

- **Las conexiones de la herramienta eléctrica deben corresponder a los de la toma de corriente. No modifique el enchufe de ninguna manera. No utilice ningún adaptador con herramientas eléctricas conectadas a tierra.** Utilizar enchufes sin modificar y tomas correspondientes reducirán el riesgo de descargas eléctricas.
- **Evite el contacto corporal con superficies conectadas a tierra, como tuberías, radiadores, estufas y refrigeradores.** Existe un mayor riesgo de descargas eléctricas si su cuerpo está conectado a tierra.
- **No exponga las herramientas eléctricas a la lluvia o a la humedad.** Si entra agua en una herramienta eléctrica aumentará el riesgo de descargas eléctricas.
- **Utilice correctamente el cable. No utilice el cable para llevar, tirar o desconectar el cable de la herramienta. Mantenga el cable alejado del calor, aceite, de los bordes afilados y de partes móviles.** Los cables dañados o enredados aumentan el riesgo de descargas eléctricas.
- **A la hora de utilizar herramientas eléctricas al aire libre, utilice un alargador adecuado para uso en exteriores.** El uso de un cable adecuado para uso en exteriores reduce el riesgo de descargas eléctricas.
- **Si es inevitable utilizar una herramienta eléctrica en un lugar húmedo, utilice un dispositivo de corriente residual (RCD) como protección.** El uso de un RCD reduce el riesgo de descargas eléctricas.

SEGURIDAD PERSONAL

- **Manténgase alerta y preste atención a lo que está haciendo; utilice el sentido común cuando utilice una herramienta. No use la herramienta cuando esté cansado o bajo la influencia de drogas, alcohol o medicamentos.** Un momento de distracción mientras utiliza herramientas eléctricas puede resultar en lesiones personales graves.
- **Use el equipo de protección personal. Utilice siempre gafas de protección.** El equipo de protección como la máscara antipolvo, los zapatos de seguridad antideslizantes, el casco o la protección auditiva utilizados para trabajar en las condiciones adecuadas reducirá los daños personales.
- **Evite el arranque accidental de la herramienta. Asegúrese de que el interruptor está en la posición de apagado antes de conectar el producto a una fuente de alimentación a la batería, de cogerlo o de transportarlo.** Transportar las herramientas eléctricas con el dedo en el interruptor o alimentarlas con el interruptor encendido puede provocar accidentes.
- **Extraiga cualquier llave de ajuste antes de encender la herramienta eléctrica.** Una llave que se encuentra conectada a una pieza de rotación puede resultar en lesiones personales.
- **No realice sobreesfuerzos. Mantenga un**

equilibrio adecuado en todo momento. Esto permite un mejor control de la herramienta eléctrica en situaciones inesperadas.

- **Vístase adecuadamente. No utilice ropa holgada ni joyas. No acerque el pelo ni la ropa a las piezas móviles.** La ropa suelta, joyas o el cabello largo pueden quedar atrapados en las piezas móviles.
- **Si se proporcionan dispositivos para conectar la extracción de polvo y las instalaciones de recogida, asegúrese de que están conectados y se utilizan correctamente.** La recogida de polvo puede reducir los riesgos relacionados con él.
- **Aunque se familiarice con el uso de la herramienta, no se relaje e ignore los principios de seguridad.** Descuidarse puede provocar daños graves en una fracción de segundo.

USO Y CUIDADO DE LA HERRAMIENTA ELÉCTRICA

- **No fuerce la herramienta. Use el producto adecuado para su aplicación.** El producto adecuado funcionará mejor y de forma más segura en el ámbito para el que está diseñado.
- **No utilice la herramienta eléctrica si el interruptor de encendido no responde.** Cualquier herramienta que no puede ser controlada con el interruptor de encendido es peligrosa y debe ser reparada.
- **Desconecte el enchufe de la fuente de alimentación y/o quite la batería, si es extraíble, de la herramienta eléctrica antes de realizar ningún ajuste, cambiar los accesorios o guardar las herramientas eléctricas.** Tales medidas de seguridad preventivas reducen el riesgo de encender el producto accidentalmente.
- **Coloque las herramientas eléctricas a ralenti fuera del alcance de los niños y no permita que personas no familiarizadas con la herramienta o con estas instrucciones la utilicen.** Las herramientas eléctricas son peligrosas en manos de personas no capacitadas.
- **Conserve las herramientas eléctricas y los accesorios. Verifique que las piezas móviles estén alineadas y bien sujetas, que no haya piezas rotas y que no haya cualquier otro problema que pueda afectar el funcionamiento de la herramienta. Si está dañada, lleve la herramienta al servicio técnico autorizado antes de usarla.** Muchos accidentes son causados por herramientas que no han recibido un mantenimiento adecuado.
- **Mantenga las herramientas de corte afiladas y limpias.** Si se mantienen correctamente las herramientas de corte con los bordes afilados, es menos probable que se atasquen y se controlan con más facilidad.
- **Use el producto, accesorios y piezas de la herramienta, etc., de acuerdo con estas instrucciones, teniendo en cuenta las condiciones laborales y el trabajo que se ha de llevar a cabo.** Utilizar la herramienta eléctrica

para realizar trabajos diferentes a los que esta herramienta está destinada podría dar como resultado una situación peligrosa.

- **Mantenga las asas y las superficies de agarre secas, limpias y sin aceite ni grasa.** Las asas resbaladizas y las superficies de agarre no permiten manejar y controlar con seguridad la herramienta en situaciones inesperadas.

MANTENIMIENTO

- **Su herramienta eléctrica debería ser reparada por personas cualificadas, que deberían utilizar únicamente piezas de repuesto idénticas.** Esto garantizará la seguridad a la hora de utilizar la herramienta eléctrica.

ADVERTENCIAS DE SEGURIDAD DE LA TALADRADORA CON SOPORTE

- **El taladro debe estar bien fijado.** Un taladro que no esté bien fijado podría moverse o caerse, provocando lesiones personales.
- **La pieza de trabajo debe estar sujeta o fijada al soporte de la pieza de trabajo. No perforo piezas que sean demasiado pequeñas para fijarlas correctamente.** Sujetar la pieza de trabajo con la mano durante el uso del producto puede provocar lesiones personales.
- **No utilice guantes.** Los guantes pueden engancharse con las las piezas giratorias o las virutas, provocando lesiones personales.
- **Mantenga las manos fuera del área de perforación mientras la herramienta esté en funcionamiento.** El contacto con las piezas giratorias o las virutas puede provocar lesiones personales.
- **Asegúrese de que el accesorio esté girando antes de aplicarlo sobre la pieza de trabajo.** De lo contrario, el accesorio podría quedar atascado en la pieza de trabajo, provocando un movimiento inesperado de esta y lesiones personales.
- **Cuando el accesorio esté atascado, deje de aplicar presión y apague la herramienta. Investigue y toma las medidas correctoras necesarias para eliminar la causa del atasco.** Un atasco puede provocar un movimiento inesperado de la pieza de trabajo y lesiones personales.
- **Evite la generación de virutas largas interrumpiendo la presión.** Las virutas metálicas afiladas pueden provocar enganchones y lesiones personales.
- **No retire nunca las virutas de la zona de perforación mientras la herramienta esté en funcionamiento. Para retirar las virutas, aparte el accesorio de la pieza de trabajo, apague la herramienta y espere a que el accesorio deje de moverse. Utilice una herramienta como un cepillo o un gancho para retirar las virutas.** El contacto con las piezas giratorias o las virutas puede provocar lesiones personales.
- **La velocidad nominal de los accesorios debe ser, como mínimo, igual a la velocidad máxima**

indicada en la herramienta eléctrica. Los accesorios que funcionen a una velocidad superior a su velocidad nominal pueden romperse y resultar proyectados de la herramienta.

- **Mantenga las brocas limpias y afiladas.** Unas brocas afiladas minimizan la posibilidad de paradas durante la perforación. Unas brocas sucias y desgastadas pueden provocar una alineación inadecuada del material y lesiones al usuario.
- **Mantenga las manos alejadas del área de trabajo.** Mantenga las manos alejadas de la broca. No utilice ninguna prenda holgada, joyas, ni lleve el pelo suelto (si tiene el pelo largo), ya que estos elementos podrían engancharse en la broca.
- **Fije siempre la pieza de trabajo o asegúrela contra la columna para evitar su giro.** No utilice nunca las manos para sujetar el objeto mientras lo perfora.
- **Utilice la velocidad recomendada para el accesorio de perforación y para el material de la pieza de trabajo.**
- **Asegúrese de que la broca o la herramienta de corte esté bien fijada en el portabrocas.**
- **Asegúrese de retirar la llave del portabrocas del portabrocas antes de conectar la unidad a la alimentación eléctrica o de encenderla.**
- **Ajuste la mesa o el tope de profundidad para evitar la perforación de la mesa.** Desactive la alimentación, retire la broca y limpie la mesa cuando acabe de usar la máquina.
- **Evite la exposición directa del ojo al usar la guía láser.**
- **Asegúrese siempre de que el haz de luz láser apunta hacia una superficie sin propiedades reflectantes.** Los materiales brillantes y reflectantes no son adecuados para el uso del láser.
- **No coloque nunca los dedos en una posición en la que puedan entrar en contacto con la broca o con cualquier otra herramienta de corte si la pieza de trabajo se mueve de forma inesperada.**
- **No realice nunca ningún trabajo cambiando la posición del cabezal o de la mesa entre sí.** No active el motor ni inicie ningún trabajo antes de comprobar que el cabezal y la manilla de bloqueo del soporte de la mesa están bien fijados a la columna y que los anillos de soporte de la mesa están correctamente colocados.
- **Antes de accionar el interruptor de alimentación, asegúrese de que la protección de la cinta y el portabrocas están bien instalados.**
- **Bloquee el interruptor de encendido del motor en la posición de desactivación cuando deje el producto.** No lleve a cabo trabajos de maquetación, montaje o acondicionamiento sobre la mesa mientras la herramienta de corte esté girando, activada o conectada a una fuente de alimentación.
- **Si el cable de alimentación está dañado, debería ser reemplazado únicamente por el fabricante o**

por un centro de servicio autorizado para evitar riesgos.

- **Guarde las herramientas inactivas.** Cuando no esté en uso, la herramienta debe guardarse en un lugar seco, bajo llave, fuera del alcance de los niños.
- Se recomienda que la herramienta siempre reciba alimentación eléctrica a través de un dispositivo de corriente residual que ofrezca una corriente residual nominal de 30 mA o menos.
- **Guarde estas instrucciones.** Consúltelas con frecuencia y utilícelas para instruir a otros usuarios. Si presta esta herramienta, facilite también estas instrucciones.

SEGURIDAD DEL LASER

- La radiación láser utilizada en el producto es de Clase 2, con una potencia máxima de 1 mW y longitudes de onda de 650 nm. No mire directamente al láser. El incumplimiento de estas normas puede resultar en lesiones graves.
- No mire fijamente el láser durante el funcionamiento.
- No proyecte el rayo láser directamente a los ojos de los demás. Podría provocar lesiones graves en los ojos.
- No coloque el láser en una posición que puede causar que alguien mire al rayo láser de manera intencionada o no.
- No utilice herramientas ópticas para ver el rayo láser.
- No trabaje con el láser cerca de los niños ni permita que los niños manejen el láser.
- No intente reparar el dispositivo láser usted mismo.
- No intente cambiar ninguna pieza del dispositivo láser usted mismo.
- Las reparaciones sólo deben ser realizadas por el fabricante del láser o un agente de servicio autorizado.
- No cambie el láser por otro de distinto tipo.

RIESGOS RESIDUALES

Incluso cuando se utiliza el producto según las instrucciones, sigue siendo imposible eliminar por completo ciertos factores de riesgo residuales. El usuario debe prestar especial atención a estos puntos para minimizar el riesgo de lesiones personales graves.

- Lesiones auditivas – Use protección adecuada para los oídos y limite el tiempo de exposición
- Lesiones oculares – Hay que llevar pantallas o gafas de protección para los ojos cuando se utilice el aparato.
- Lesiones por vibración - Limite la exposición y siga las instrucciones sobre la reducción de riesgos en este manual.
- Daños respiratorios debido al polvo generado al utilizar el producto – Utilice la protección adecuada según el tipo de polvo.

⚠ ADVERTENCIA

Algunas veces, el polvo resultante de las operaciones de lijado, aserrado, esmerilado, taladrado y otras actividades de la construcción, contienen productos químicos que pueden ser cancerígenos y provocar anomalías congénitas o problemas de fertilidad. A continuación indicamos algunos ejemplos de estos productos químicos:

- plomo, en las pinturas a base de plomo,
- sílice cristalizado, en algunos cementos, ladrillos y demás productos de albañilería,
- arsénico y cromo, presentes en algunas maderas tratadas químicamente.

Los riesgos derivados de estos productos varían en función de la frecuencia de este tipo de trabajos. Para reducir su exposición a estas sustancias químicas, trabaje en un entorno bien ventilado, con material de seguridad homologado como, por ejemplo, mascarillas antipolvo específicamente diseñadas para filtrar partículas microscópicas.

ELÉCTRICA

Utilice sólo cables de extensión compuestos de 3 cables que tengan conexiones a tierras de 3 puntas y tomas de 3 polos que acepten la conexión con el producto. Cuando utilice la herramienta de pintura a una distancia considerable de la fuente de alimentación, utilice un cable de extensión suficientemente resistente para que transporte la corriente que utilizará el producto. Un cable de extensión inferior provocará una caída de tensión del cable, resultando en una pérdida de potencia y haciendo que el motor se sobrecaliente.

Antes de utilizar un cable alargador, compruebe si presenta cables sueltos o expuestos, o si el aislamiento está cortado o desgastado.

⚠ ADVERTENCIA

Mantenga el cable de extensión fuera del área de trabajo. Sitúe el cable de manera de modo que no pueda enredarse en la madera, herramientas, u otros obstáculos mientras esté trabajando con una herramienta eléctrica. De lo contrario puede ocasionar daños personales graves.

⚠ ADVERTENCIA

Revise los cordones de extensión antes de cada uso. Si está dañado, reemplazar inmediatamente. No utilice nunca la herramienta con un cable dañado ya que tocar el área dañada podría causar una descarga eléctrica con resultado de lesiones graves.

CONEXIÓN ELÉCTRICA

Este producto funciona con un motor eléctrico de precisión. Esta herramienta debe conectarse a una

fuelle de alimentación de 220~240V, de CA solamente (corriente normal del hogar), 50 Hz. No utilice este producto con corriente continua (CC). Una caída sustancial del voltaje causará una pérdida de potencia y el motor se sobrecalentará. Si el producto no funciona al enchufarlo a una toma de corriente, vuelva a comprobar el suministro de corriente.

VELOCIDAD Y CABLEADO

Esta velocidad no es constante y disminuye durante una carga o con menor tensión. En cuanto al voltaje, la instalación eléctrica de una tienda es tan importante como el rango de potencia de un motor. Una línea de alimentación destinada sólo para luces no puede soportar un motor de una herramienta eléctrica. Un cable con un calibre suficiente para una distancia corta será muy débil para una mayor distancia. Una línea de alimentación que puede soportar una herramienta eléctrica puede no ser suficiente para alimentar dos o tres herramientas.

INSTRUCCIONES DE CONEXIÓN A TIERRA

En caso de un mal funcionamiento o avería, la toma de tierra ofrece menos resistencia a la corriente eléctrica para reducir el riesgo de descarga eléctrica. Este producto está equipado con un cable eléctrico que tiene un conductor de tierra y un enchufe de tierra. El enchufe debe estar conectado a la toma correspondiente que está instalada adecuadamente y que se una toma de tierra según todos los códigos y ordenanzas locales.

No modifique el enchufe proporcionado. Si no encaja en la toma, haga que un electricista cualificado instale un enchufe adecuado. Una conexión inadecuada del conductor de conexión a masa del equipo puede suponer un riesgo de descarga eléctrica. El conductor con un aislamiento que tenga una superficie exterior verde, con o sin franjas amarillas, será el conductor de conexión a masa del equipo. Si fuese necesario reparar o sustituir el cable eléctrico o el enchufe, no conecte el conductor de conexión a masa del equipo a un terminal con tensión activa.

Repáre o sustituya inmediatamente un cable dañado o gastado.

ACCESORIOS RECOMENDADOS

⚠ ADVERTENCIA

Utilice únicamente los accesorios recomendados para este producto.

Siga las instrucciones incluidas con los accesorios. El uso de accesorios inadecuados puede provocar situaciones de peligro.

- Broca
- Abrazaderas de fijación
- Tornos de banco para taladradoras con soporte

⚠ ADVERTENCIA

Utilice únicamente los accesorios diseñados para este producto para evitar lesiones provocadas por la expulsión de componentes rotos o piezas de trabajo.

No utilice ningún accesorio a menos que haya leído en su totalidad el manual del usuario de ese accesorio.

CONTENIDO DE LA CAJA DE CARTÓN**DESEMBALAJE Y COMPROBACIÓN DEL CONTENIDO****⚠ ADVERTENCIA**

Si falta cualquier pieza o se observan daños en alguna pieza, no enchufe el producto hasta que la pieza ausente o dañada se haya sustituido y el montaje se haya completado.

Desembale con cuidado el producto y todos sus componentes, y compare el contenido con la lista que se ofrece en este documento.

Para proteger el producto de la humedad, se ha aplicado una capa protectora sobre las superficies mecanizadas. Retire esta capa con un paño humedecido con queroseno o WD-40.

⚠ ADVERTENCIA

Para evitar incendios o reacciones tóxicas, no utilice nunca gasolina, nafta, acetona, disolvente o productos similares de elevada volatilidad para limpiar el producto.

Aplique una capa de cera en pasta sobre la mesa, la columna y las superficies mecanizadas de la base para evitar la formación de óxido. Limpie bien todas las piezas con un paño seco y limpio.

Artículo	Descripción	Cant.
1	Conjunto del cabezal	1
2	Banco	1
3	Base	1
4	Cremallera	1
5	Conjunto de la columna	1
6	Anillo de la cremallera	1
7	Asas de suministro	3
8	Engranaje sinfín	1
9	Manilla de bloqueo de la mesa	1
10	Manivela de la mesa	1

11	Pernos de cabeza hexagonal	3
12	Mandril de sujeción	1
13	Llave del portabrocas	1
14	Llave hexagonal de 4 mm	1
15	Llave hexagonal de 3 mm	1

MONTAJE Y AJUSTES**⚠ ADVERTENCIA**

Por su propia seguridad, nunca enchufe el producto a una toma de corriente eléctrica hasta que se hayan completado todos los pasos de montaje y haya leído y comprendido las instrucciones de seguridad y de uso.

⚠ ADVERTENCIA

El producto es una herramienta eléctrica pesada y se debería elevar con la ayuda de dos o más personas para poder realizar un montaje seguro.

MONTAJE DE LA COLUMNA EN LA BASE

Ver figura 5.

1. Coloque la base sobre una superficie plana y estable.
2. Alinee los orificios para tornillos del conjunto de la columna con los orificios para tornillos de la base.
3. Coloque un perno hexagonal en cada orificio.
4. Apriete cada uno de los pernos hexagonales con una llave inglesa.

INSTALACIÓN DE LA MESA EN EL CONJUNTO DE LA COLUMNA

Ver figuras 6-10.

1. Inserte la manilla de bloqueo del soporte de la mesa en el orificio roscado de la parte posterior del soporte de la mesa.
NOTA: Instale la manilla de izquierda a derecha, para que entre en el lado no roscado del soporte de la mesa en primer lugar.
2. Pase el engranaje sinfín a través del orificio de la manivela de la mesa en el soporte de la mesa. Asegúrese de que el engranaje sinfín se acopla con el engranaje interior.
NOTA: No quite la lubricación del engranaje sinfín.
3. Pase la cremallera a través de la ranura del soporte de la mesa de forma que los dientes miren hacia fuera y que los extremos lisos más largos miren hacia arriba. El engranaje sinfín se debería acoplar a la cremallera.
4. Utilizando las dos manos, deslice toda la mesa y la cremallera en la columna hasta que la parte inferior de la cremallera quede colocada en el anillo de la base y contra la columna.
5. Apriete la manilla de bloqueo del soporte de la mesa



para bloquear el conjunto de la mesa en la columna.

NOTA: No apriete en exceso.

- Deslice el anillo de la cremallera hacia abajo por el lado del bisel, a lo largo de la columna, hasta que el lado biselado se acople en el extremo biselado de la cremallera.
- Apriete el tornillo de ajuste del anillo utilizando la llave hexagonal. Para evitar daños en la columna o en el anillo, no apriete en exceso el tornillo de ajuste. **NOTA:** Debe ser capaz de mover la mesa de lado a lado.
- Instale la manivela de la mesa en el extremo del engranaje sinfín de forma que el lado plano del eje quede alineado con el tornillo de ajuste.
- Apriete el tornillo de ajuste utilizando la llave hexagonal.

INSTALACIÓN DEL CABEZAL

Ver figura 11.

⚠ ADVERTENCIA

El cabezal de la taladradora con soporte es un elemento pesado y se debe elevar con la ayuda de dos personas para montarlo de forma segura sobre la columna.

- Coloque el cabezal sobre la columna con el portabrocas colocado sobre la mesa. **NOTA:** El producto es pesado. Solicite ayuda si la necesita.
- Deslice el cabezal hacia abajo tanto como sea posible. Alinee el conjunto de la mesa con la base y, a continuación, apriete los dos tornillos de ajuste del cabezal con la llave hexagonal.

INSTALACIÓN DE LAS ASAS DE SUMINISTRO

Ver figura 12.

- Acople las tres asas de suministro enroscándolas en los orificios roscados del conjunto del buje.

INSTALACIÓN DEL PORTABROCAS

Ver figuras 13-15.

⚠ ADVERTENCIA

Antes de realizar cualquier montaje del portabrocas en el cabezal de la taladradora con soporte, limpie todas las superficies de contacto con un producto no elaborado con petróleo. Cualquier aceite o grasa utilizados durante el embalaje de estos componentes se debe eliminar, de lo contrario, el portabrocas se podría soltar durante su funcionamiento.

- Limpie el orificio cónico del portabrocas con un paño limpio y con un producto de limpieza sin alcohol. Limpie bien todos los residuos y cualquier resto de suciedad.
- Limpie las superficies cónicas del eje del mismo modo.

NOTA: Asegúrese de que no haya ninguna partícula extraña adherida a las superficies. El resto de suciedad o aceite más pequeño sobre cualquiera de estas superficies podría evitar el correcto asentamiento del portabrocas. Esto provocará el vaivén del portabrocas y de la broca.

- Coloque el portabrocas en el eje. El portabrocas debe estar totalmente abierto para evitar daños en las mordazas.
- Suelte el bloqueo del soporte de la mesa y aléjela de la parte inferior del portabrocas.
- Inserte el portabrocas en el eje, presionándolo hasta el fondo.
- Utilizando una trozo de madera para proteger el portabrocas, golpee con fuerza el portabrocas hasta que quede asentado en su posición utilizando una maza o un martillo.

⚠ PRECAUCIÓN

Riesgo de daños materiales. Para evitar daños en el portabrocas, no introduzca nunca el portabrocas en el eje con un martillo metálico.

RETIRADA DEL PORTABROCAS

- Gire las asas de suministro para bajar el portabrocas hasta la posición más baja posible.
- Coloque un separador de junta esférica (no mostrado) encima del portabrocas y golpéelo ligeramente con martillo o maza de goma para que el portabrocas se suelte del eje. **NOTA:** No golpee nunca el portabrocas directamente con el martillo o la maza de goma.

NOTA: Para evitar posibles daños en el portabrocas, eleve al máximo las mordazas y prepárese para coger el portabrocas cuando caiga.

MONTAJE DE LA TALADRADORA CON SOPORTE EN UNA SUPERFICIE DE TRABAJO

Ver figura 16.

Si el producto se va a utilizar en una ubicación permanente, fíjelo a un banco de trabajo o a cualquier otra superficie estable.

Si el producto se va a utilizar como una herramienta portátil, fíjelo de forma permanente a una placa de montaje que se pueda fijar fácilmente a un banco de trabajo o a otra superficie estable. La placa de montaje debe tener un tamaño que permita evitar la basculación del producto durante su uso. Se recomienda el uso de cualquier madera contrachapada o tablero de conglomerado de buena calidad con un grosor de 19 mm (3/4").

- Marque los orificios en la superficie en la que se montará la taladradora con soporte utilizando los orificios de la base de la taladradora a modo de plantilla.
- Perfore los orificios en la superficie de montaje.
- Coloque la taladradora con soporte sobre la superficie de montaje, alineando los orificios de la base con los orificios perforados en la superficie de



montaje.

4. Inserte los pernos (no incluidos) apriételos bien con las arandelas de bloqueo y las tuercas hexagonales (no incluidas).

Si se utilizan tirafondos, asegúrese de que tengan la longitud suficiente para cubrir los orificios de la base de la taladradora con soporte y del material sobre el que se monta. Si se utilizan pernos mecanizados, asegúrese de que tengan la longitud suficiente para cubrir los orificios de la base de la taladradora con soporte, del material sobre el que se monta y de las arandelas de bloqueo y las tuercas hexagonales.

NOTA: Todos los pernos se deben introducir desde arriba. Coloque las arandelas de bloqueo y las tuercas hexagonales en la parte inferior del banco de trabajo.

Tras fijar el producto de forma segura sobre una superficie resistente:

1. Compruebe si hay vibraciones al activar el motor.
2. Ajuste y vuelva a apretar los pernos de fijación si fuera necesario.
3. Compruebe el conjunto de la mesa para asegurarse de que la columna se desplaza sin problemas hacia arriba y hacia abajo.
4. Asegúrese de que el eje se mueve correctamente.

ALMACENAMIENTO DE LA LLAVE DEL PORTABROCAS

Ver figura 17.

El soporte de almacenamiento de la llave del portabrocas se encuentra en el lado derecho del producto.

PERFORACIÓN EN BISEL

Ver figura 18.

NOTA: Se ha incluido una escala de bisel para medir aproximadamente los ángulos del bisel. En el caso de que se requiera una mayor precisión, se puede utilizar una escuadra o cualquier otra herramienta de medición para el posicionamiento de la mesa. Para utilizar la escala de bisel:

1. Apriete la tuerca del pasador de bloqueo utilizando una llave de 10 mm o una llave inglesa, girándola en el sentido de las agujas del reloj para soltar el pasador del soporte de la mesa. Este pasador se debe colocar de nuevo en la mesa en su posición de 0 grados en relación con el soporte de la mesa. No tire el pasador.
2. Afloje el perno grande de cabeza hexagonal de bloqueo de bisel de la mesa utilizando una llave de 17 mm o una llave inglesa.
3. Incline la mesa, alineando la medición del ángulo deseado con la línea cero situada frente a la escala.
4. Apriete el perno de bloqueo de bisel de la mesa.
5. Para volver a colocar la mesa en su posición original, afloje el perno de bloqueo de bisel de la mesa. Vuelva a colocar la mesa en la posición de 0°.
6. Vuelva a colocar la tuerca del pasador de bloqueo en el extremo exterior de la rosca. Golpee ligeramente el pasador de bloqueo, utilizando una maza de goma, hasta que quede asentado en el orificio

correspondiente del soporte de la mesa. Apriete la tuerca con la mano.

NOTA: Se ha retirado la mesa de la ilustración para una mayor claridad.

⚠ ADVERTENCIA

Para evitar accidentes personales, desconecte siempre el enchufe de la fuente de alimentación cuando realice algún ajuste.

EJE / EJE HUECO

Ver figura 20.

Gire las manillas de alimentación en el sentido contrario al de las agujas del reloj para bajar el eje hasta su posición inferior. Sujete el portabrocas y desplácelo de delante hacia atrás. Si hay un juego excesivo, lleve a cabo los siguientes ajustes:

1. Afloje la contratuerca situada en el lado derecho del producto utilizando una llave de 10 mm.
2. Gire el tornillo en el sentido de las agujas del reloj para eliminar el juego, utilizando un destornillador ranurado, pero sin obstruir el movimiento ascendente del eje. (Un poco de juego en el eje es algo normal.)
3. Apriete la contratuerca.

MUELLE DE RETORNO DEL EJE HUECO

Ver figura 21.

El muelle de retorno del eje hueco puede requerir ajuste si la velocidad de retorno del eje hueco es demasiado rápida o demasiado lenta. Este muelle está situado en el lado izquierdo del cabezal de perforación.

1. Baje la mesa para obtener más espacio.
2. Coloque un destornillador en la muesca de la parte inferior delantera de la tapa del muelle. Sujétela en su posición mientras afloja y retira únicamente la contratuerca exterior, utilizando una llave de 10 mm.
3. Con el destornillador aún acoplado en la muesca, afloje la tuerca interna solo hasta que la muesca se suelte de la brida del cabezal de la taladradora con soporte.

NOTA: No retire esta tuerca interna, ya que el muelle se soltaría con fuerza.

4. Gire con cuidado la tapa del muelle en el sentido contrario al de las agujas del reloj con el destornillador, engranando la siguiente muesca.
5. Baje el eje hueco a su posición inferior girando la manilla de alimentación en el sentido contrario al de las agujas del reloj mientras mantiene la tapa del muelle en su posición.
6. Si el eje hueco se desplaza hacia arriba y hacia abajo del modo deseado, apriete bien la tuerca interna contra la tapa del muelle y la talla del muelle con la llave. Si está demasiado flojo, repita los pasos del 3 al 5 para apretarlo. Si está demasiado apretado, siga los pasos 4 y 5 en sentido inverso.
7. Fije la tuerca exterior contra la tuerca interna con la llave.

NOTA: No apriete en exceso ni limite el movimiento del

EN

FR

DE

ES

IT

NL

PT

DA

SV

FI

NO

RU

PL

CS

HU

RO

LV

LT

ET

HR

SL

SK

BG

UK

TR

EL

eje hueco.

TENSIÓN DE LA CORREA

Ver figura 22.

1. Abra la cubierta de la polea.
2. Para desbloquear la tensión de la correa, gire la perilla de bloqueo de la tensión de la correa situada en el lado derecho del cabezal de la taladradora con soporte en el sentido contrario al de las agujas del reloj.
3. Tire del motor hacia la parte delantera del producto para reducir la tensión de la correa.
4. Coloque la correa en las posiciones adecuadas de la polea para obtener la velocidad deseada.
5. Aleje el motor del cabezal de la taladradora con soporte hasta que la correa alcance la tensión adecuada.

NOTA: La tensión de la correa será correcta si la correa se desvía aproximadamente 13 mm (1/2") al presionarla en el centro.

6. Apriete la perilla de bloqueo de la tensión de la correa para fijar el motor en su posición. Cierre la cubierta de la polea.

COMPROBACIÓN/AJUSTE DE LA ALINEACIÓN DEL LÁSER

El producto cuenta con el sistema Laser Trac®.

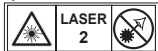
Los haces de luz láser le permite visualizar previamente la trayectoria de la broca en la pieza de trabajo que se pretende perforar antes de iniciar el trabajo.

⚠ ADVERTENCIA

Evite el contacto visual directo

Se emite una luz láser cuando la guía láser se activa. Evite el contacto visual directo. Desconecte siempre el producto de la fuente de alimentación antes de realizar cualquier ajuste.

- Un puntero láser no es un juguete y no puede ser utilizado por los niños. Un uso inadecuado de este sistema puede provocar lesiones oculares irreversibles.
- Está prohibido realizar cualquier ajuste para aumentar la potencia del láser.
- Cuando se utilice el puntero láser, no apunte el haz de luz láser hacia otras personas y/o superficies reflectantes. Incluso un haz de luz láser de baja intensidad puede provocar daños oculares. No mire directamente al láser.
- El puntero láser no incluye ningún componente que pueda ser reparado. No abra nunca la carcasa para realizar reparaciones o ajustes.
- Etiqueta de advertencias del láser:



- No retire ni borre las etiquetas de advertencia. La retirada de las etiquetas aumenta el riesgo de

exposición a la radiación.

- **PRECAUCIÓN:** El uso de controles, ajustes o procedimientos distintos a los especificados aquí puede causar niveles de radiación peligrosos.
- No intente reparar ni desmontar el nivel del láser. Si una persona no cualificada intenta reparar este producto láser, se pueden producir accidentes personales graves. Cualquier reparación necesaria en este producto láser debe ser realizada por el personal de un centro de servicio autorizado.
- **PRECAUCIÓN:** El uso de instrumentos ópticos con este producto aumentará el riesgo de sufrir lesiones oculares.

⚠ ADVERTENCIA

No utilice cristales tintados para mejorar la luz láser. Los cristales tintados reducirán la visión general de la aplicación e interferirán con el funcionamiento normal de la herramienta.

⚠ ADVERTENCIA

Radiación láser. Nunca apunte el haz de luz láser hacia una pieza de trabajo con una superficie reflectante. Las chapas de acero reflectante y brillante u otras superficies reflectantes similares no están recomendadas para el uso del láser. Las superficies reflectantes pueden hacer que el haz se refleje y vuelva al usuario o apunte a otra persona.

AJUSTE DE LAS LÍNEAS DEL LÁSER

Ver figura 23.

Compruebe la alineación del láser para asegurarse de que la intersección de las líneas láser se encuentra de forma precisa en el punto en el que la broca entra en contacto con la pieza de trabajo. Si no es así, las líneas láser se deben ajustar utilizando las perillas de ajuste del láser ubicadas en los lados opuestos del conjunto del cabezal.

1. Marque una "X" en una pieza de madera de desecho.
2. *Inserte una broca en el portabrocas y alinee su punta con la intersección de las líneas de la "X".*
3. Fije el tablero en la mesa.
4. Active la guía láser y compruebe si las líneas láser están alineadas con la "X" en la pieza de trabajo.
5. Si las líneas láser no están alineadas, afloje los tornillos de ajuste en cada una de las carcasas del sistema láser con una llave hexagonal y gire las perillas de ajuste del sistema láser hasta que las líneas se unan en el centro de la "X". Vuelva a apretar los tornillos de ajuste para fijarlos.

FUNCIONAMIENTO

⚠ ADVERTENCIA

No permita que la familiaridad con las herramientas le haga ser descuidado. Recuerde que un descuido de una fracción de segundo es suficiente para provocar daños graves.

⚠ ADVERTENCIA

Utilice siempre gafas protectoras o de seguridad con protecciones laterales al manipular herramientas. Si incumple esta instrucción, pueden proyectarse cuerpos extraños a sus ojos y provocarle graves lesiones oculares.

⚠ ADVERTENCIA

Utilice exclusivamente las piezas y accesorios recomendados por el fabricante. El uso de cualquier pieza o accesorio no recomendado puede ocasionar lesiones personales graves.

⚠ ADVERTENCIA

Para evitar un posible accidente, mantenga cerrada la protección y en su posición mientras la herramienta está en funcionamiento.

MODIFICACIÓN DE LAS VELOCIDADES Y DE LA UBICACIÓN DE LA CORREA

Ver figura 24.

La velocidad del eje viene determinada por la ubicación de la correa en las poleas en el interior del conjunto del cabezal. La tabla de velocidades situada en la cubierta, en el interior del cabezal, muestra la configuración de velocidades y poleas recomendadas para cada operación de perforación.

Para cambiar la configuración de la polea:

1. Levante la cubierta de la polea.
2. Afloje el perno de tensión.
3. Retire la correa.
4. Vuelva a colocar la correa de acuerdo con lo indicado en la tabla de velocidades.
5. Vuelva a apretar el perno de tensión.

NOTA: Consulte el apartado "Velocidad de perforación recomendada" para obtener recomendaciones acerca del tamaño de la broca y la velocidad de perforación.

VELOCIDAD DE PERFORACIÓN RECOMENDADA

TABLA DE VELOCIDADES DE PERFORACIÓN (RPM)

Diámetro de la broca (Pulgadas)	Material		
	Madera Plásticos	Aluminio Cinc Latón	Hierro Acero
1/16	2430	2430	2430
1/8			1800
3/16		1800	1300
1/4			800
5/16	1800	1300	800
3/8			
1/2		1800	800

Interruptor de encendido/apagado

Ver figura 25.

Para encender la herramienta:

1. Pulse el botón ON (encendido) (I).

Para apagar la herramienta:

1. Pulse el botón OFF (apagado) (O).

⚠ ADVERTENCIA

Asegúrese siempre de que la pieza de trabajo no está en contacto con la broca antes de accionar el interruptor para poner en marcha el producto. El incumplimiento de esta advertencia puede causar que la pieza de trabajo sea expulsada hacia el operador y provoque lesiones personales graves.

INSTALACIÓN Y EXTRACCIÓN DE LAS BROCAS

Ver figura 26.

1. Desenchufe el producto.
2. Abrir o cerrar las mordazas hasta un punto en el que la apertura sea ligeramente más grande que el tamaño de la broca que vaya a utilizar.
3. Inserte la broca en el portabrocas hasta alcanzar toda la longitud de las mordazas.

⚠ ADVERTENCIA

No inserte la broca en las mordazas del portabrocas y apriete como se muestra en la Figura 19. Esto puede hacer que la broca salga expulsada del producto, lo que puede provocar un posible accidente personal grave o daños en el portabrocas.

4. Apriete bien las mordazas del portabrocas utilizando la llave del portabrocas suministrada. No use una llave para apretar o aflojar la mordaza.
5. Retire la llave del portabrocas.
6. Para retirar la broca, siga el orden contrario al de los pasos indicados anteriormente.

⚠ ADVERTENCIA

Para evitar lesiones o accidentes provocados por la expulsión de la llave del portabrocas al poner en marcha el producto, utilice solamente la llave del portabrocas con expulsión automática suministrada con la taladradora con soporte. Compruebe siempre y retire la llave del portabrocas antes de poner en marcha el producto. Coloque la llave del portabrocas en su soporte de almacenamiento cuando no se esté utilizando.

PERFORACIÓN HASTA UNA PROFUNDIDAD ESPECÍFICA

La perforación de un orificio ciego (que no traspase toda la pieza de trabajo) hasta una profundidad determinada se puede realizar de dos modos:

Método de la pieza de trabajo

Ver figura 27.

1. Marque la profundidad del orificio en el lateral de la pieza de trabajo.
2. Con el interruptor en la posición de apagado, baje la broca hasta que la punta esté al nivel de la marca.
3. Mantenga el asa de suministro en esta posición.
4. Gire la tuerca inferior hasta que entre en contacto con el tope de profundidad en el cabezal.
5. Gire la tuerca superior para bajarla y apriétela contra la tuerca inferior.
6. La broca se detendrá después de recorrer la distancia marcada en la pieza de trabajo.

Método de escala de profundidad

Ver figura 28.

NOTA: Con el portabrocas en la posición superior, la punta de la broca debe estar ligeramente por encima de la parte superior de la pieza de trabajo.

1. Con el interruptor en la posición de apagado, gire el asa de suministro hasta que el puntero apunte hacia la profundidad deseada en la escala de profundidad y mantenga la manilla en esa posición.
2. Gire la tuerca inferior hacia abajo hasta que entre en contacto con el tope de profundidad.
3. Gire la tuerca superior contra la tuerca de tope inferior y apriétela.
4. La broca se detendrá después de recorrer la distancia seleccionada en la escala de profundidad.

Perforación de un orificio

1. Utilizando un punzón o un clavo con punta, realice una marca en la pieza de trabajo en la que pretenda realizar el orificio.
2. Active la guía láser y alinee las líneas láser con la marca.
3. Active la alimentación y tire hacia abajo las asas de suministro con la fuerza suficiente para permitir la perforación.

Una bajada excesivamente rápida puede provocar que la correa o la taladradora, que se produzca una marca

indeseada en la pieza de trabajo o que se rompa la broca.

Cuando se perfora metal, será necesario lubricar la punta de la broca con aceite para la perforación de metales para evitar que se sobrecaliente.

PARA SU PROTECCIÓN

⚠ ADVERTENCIA

Para evitar enganchones en la herramienta eléctrica, no lleve puesta ropa suelta, guantes, collares o joyas. Si tiene el pelo largo, recójaselo.

1. Si falta cualquier pieza del producto, o si hay una pieza averiada, dañada o rota, detenga su funcionamiento inmediatamente hasta que dicha pieza se haya reparado o sustituido adecuadamente.
2. No coloque nunca los dedos en una posición en la que puedan entrar en contacto con la broca o con cualquier otra herramienta de corte. La pieza de trabajo se podría desplazar de forma brusca, o su mano se podría resbalar.
3. Para evitar que la pieza de trabajo se mueva mientras la sujeta, salga despedida, gire por la acción de la herramienta o se rompa, sujete siempre de forma adecuada la pieza de trabajo del siguiente modo:
 - Coloque siempre un material de apoyo (debajo de la pieza de trabajo) para que esté en contacto con el lado izquierdo de la columna.
 - Siempre que sea posible, coloque la pieza de trabajo de forma que esté en contacto con el lado izquierdo de la columna. Si es demasiado corta o si la mesa está inclinada, fije la pieza adecuadamente a la mesa utilizando las ranuras de la mesa.
 - Cuando utilice un torno de banco (no incluido) para la taladradora con soporte, fíjelo siempre a la mesa.
 - No realice ningún trabajo a mano alzada (sujetando la pieza de trabajo con la mano en lugar de apoyarla en la mesa), excepto en operaciones de pulido o lijado.
 - Fije de forma segura el cabezal y el soporte en la columna, el brazo de la mesa en el soporte, y la mesa al brazo de la mesa, antes de utilizar la taladradora con soporte.
 - No mueva nunca el cabezal ni la mesa mientras la herramienta está en funcionamiento.
 - Antes de iniciar una operación, accione el interruptor del motor para asegurarse de que la taladradora o cualquier otra herramienta de corte no se balancea ni provocan vibraciones.
 - Si una pieza de trabajo cuelga de un lado de la mesa, se caerá o volcará si no se sujeta; fíjela a la mesa o solicite ayuda.
 - Utilice fijaciones para operaciones poco habituales para sujetar, guiar y colocar adecuadamente la pieza de trabajo.

- Utilice la velocidad del eje recomendada para la operación y el material de trabajo específicos. Consulte el panel situado en el interior de la cubierta de la polea o consulte el apartado "Velocidad de perforación recomendada" para obtener información sobre las velocidades de perforación. Para los accesorios, consulte las instrucciones suministradas con cada accesorio.
4. No se suba nunca a la mesa de la taladradora con soporte, ya que esto podría romper la taladradora o hacer que cayera sobre usted.
 5. Desactive la alimentación eléctrica en la toma cuando haya acabado de usar el producto.
 6. Para evitar accidentes provocados por piezas despedidas o contacto con la herramienta, no realice trabajos de trabajos de maquetación, montaje o acondicionamiento sobre la mesa mientras la herramienta de corte está girando.

COLOCACIÓN DE LA MESA Y DE LA PIEZA DE TRABAJO

Ver figura 29-30.

1. Fije la mesa en la columna en una posición en la que la punta de la broca quede justo por encima de la pieza de trabajo.
2. Coloque siempre un material de apoyo (retal de madera) sobre la mesa por debajo de la pieza de trabajo. Esto evitará la formación de astillas o rebabas en la parte inferior de la pieza de trabajo. Para evitar que el material de apoyo gire, se debe colocar contra el lado izquierdo de la columna.
3. Utilice sistemas de soporte adecuados para las piezas de trabajo en suspensión.

⚠ ADVERTENCIA

Para evitar que la pieza de trabajo o el material de apoyo salgan despedidos durante la perforación, DEBE colocar la pieza de trabajo contra el lado izquierdo de la columna. Si la pieza de trabajo o el material de apoyo no son lo suficientemente largos para alcanzar la columna, fíjelos a la mesa para asegurar la pieza de trabajo. Una fijación inadecuada de la pieza de trabajo puede provocar un accidente personal.

⚠ ADVERTENCIA

Un torno de banco se deberá fijar con mordazas o pernos a la mesa para evitar accidentes provocados por el giro de una pieza de trabajo, un torno de banco dañado o partes de brocas.

FIJACIÓN DE UNA UBICACIÓN DE PERFORACIÓN

1. Utilizando un punzón o un clavo con punta, realice una marca en la pieza de trabajo en la que pretenda realizar el orificio.
2. Active la guía láser y alinee las líneas láser (x) con la marca antes de poner en marcha la taladradora.

INCLINACIÓN DE LA MESA

Ver figura 31.

NOTA: El soporte de la mesa tiene un orificio preperforado con un pasador de bloqueo insertado para bloquear la mesa en un ángulo de bisel de 0° preperforado.

1. Apriete la tuerca del pasador de bloqueo utilizando una llave de 10 mm o una llave inglesa, girándola en el sentido de las agujas del reloj para soltar el pasador del soporte de la mesa. Este pasador se debe colocar de nuevo en la mesa en su posición de 0 grados en relación con el soporte de la mesa.
2. Afloje el perno grande de cabeza hexagonal de bloqueo de bisel de la mesa utilizando una llave de 17 mm o una llave inglesa.

⚠ ADVERTENCIA

Para evitar accidentes, asegúrese de fijar correctamente el conjunto de la mesa y el brazo de la mesa, de forma que no se puedan girar ni balancear.

3. Inclina la mesa, alineando la medición del ángulo deseado con la línea cero situada frente a la escala.
4. Apriete el perno de bloqueo de bisel de la mesa.
5. Para volver a colocar la mesa en su posición original, afloje el perno de bloqueo de bisel de la mesa. Vuelva a colocar la mesa en la posición de 0°.
6. Vuelva a colocar la tuerca del pasador de bloqueo en el extremo exterior de la rosca. Golpee ligeramente el pasador de bloqueo hasta que quede asentado en el orificio correspondiente del soporte de la mesa. Apriete la tuerca con la mano.

⚠ ADVERTENCIA

Para evitar accidentes debidos a movimientos de la pieza de trabajo o la rotura de la herramienta, fije siempre la pieza de trabajo y el material de apoyo de forma segura a la mesa antes de accionar la taladradora con soporte.

SUMINISTRO

1. Tire hacia abajo las asas de suministro con la fuerza suficiente para permitir la perforación.
2. Una bajada demasiado lenta puede provocar el quemado de la broca. Una bajada excesivamente rápida puede provocar que la correa o la taladradora, que se produzca una marca indeseada en la pieza de trabajo o que se rompa la broca.
3. Al perforar metal, es necesario lubricar la punta de la broca con aceite para evitar el quemado de la pieza de trabajo y de la broca.

MANTENIMIENTO

⚠ ADVERTENCIA

Por su propia seguridad, coloque el interruptor en la posición de apagado y desconecte el enchufe de la toma eléctrica antes de realizar el mantenimiento o la lubricación de la taladradora con soporte.

Retire con frecuencia, con un compresor de aire o un aspirador de polvo, todo el polvo y las virutas de metal que se acumulen en el interior del motor, la cubierta de la polea, la mesa y la superficie de trabajo. Use siempre gafas de seguridad mientras opera la herramienta.

⚠ ADVERTENCIA

Para evitar posibles descargas eléctricas o incendios, si el cable de alimentación está desgastado o cortado, solicite su sustitución inmediata a un electricista cualificado o a un técnico de servicio.

LUBRICACIÓN

Todos los cojinetes de bola de la taladradora con soporte se engrasan en la fábrica. No requieren más lubricación.

Lubrique periódicamente el engranaje y la cremallera, el mecanismo de elevación de la mesa del eje y la cremallera (dientes) del eje hueco. Baje el eje y lubrique moderadamente el manguito del eje cada tres meses.

TRANSPORTE Y ALMACENAMIENTO

Ver figura 32.

Cuando vaya a transportar el producto, desconecte el cable de alimentación y asegúrese de que todas las piezas estén bien fijadas. Consulte la Fig. 32 para localizar los asideros que se pueden utilizar para elevar el producto.

Guarde el producto en un lugar seguro que no sea accesible a los niños.

Limpie el producto con un cepillo y un aspirador antes de su almacenamiento.

SÍMBOLO



Alerta de seguridad



Marca de conformidad europea



Marca de conformidad británica



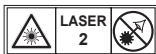
Marca de conformidad de Ucrania



Certificado EAC de conformidad



Por favor, lea atentamente las instrucciones antes de encender el producto.



Radiación láser.
No mire directamente al rayo.
Producto láser de clase 2



No exponer a la lluvia ni utilizar en lugares húmedos.



Utilice dispositivos de protección para los oídos



Utilice siempre gafas de protección.



Capacidad del mandril



Recorrido del eje



Alineamiento de la perforación



Diámetro de la broca (pulgadas)



Madera



Aluminio
Cinc
Latón



Hierro
Acero

No deseche los residuos de aparatos eléctricos y electrónicos como residuos municipales no clasificados. Los residuos de aparatos eléctricos y electrónicos se deben recoger de forma independiente. Los residuos de fuentes de luz se deben retirar de los aparatos. Consulte a sus autoridades locales o a su vendedor para obtener información sobre reciclaje y puntos de recogida. De acuerdo con lo establecido en las normativas locales, los establecimientos minoristas pueden tener la obligación de recuperar los residuos de aparatos eléctricos y electrónicos de forma gratuita. Su contribución a la hora de reutilizar y reciclar los residuos de aparatos eléctricos y electrónicos ayuda a reducir la demanda de materias primas. Los residuos de aparatos eléctricos y electrónicos contienen materiales valiosos que se pueden reciclar, y que podrían afectar de forma negativa al medio ambiente y a la salud humana si no se desechan de un modo medioambientalmente responsable. Si lo hubiera, elimine cualquier dato personal de los residuos de los aparatos.



RESOLUCIÓN DE PROBLEMAS

Problema	Posible causa	Solución
Funcionamiento ruidoso.	<ol style="list-style-type: none"> 1. Tensión incorrecta de la correa. 2. El eje está seco. 3. La polea del eje está floja. 4. La polea del motor está floja. 	<ol style="list-style-type: none"> 1. Ajuste la tensión. Consulte el apartado "Tensión de la correa". 2. Lubrique el eje. Consulte el apartado "Lubricación". 3. Compruebe el apriete de la tuerca de retención de la polea y apriétela si fuera necesario. 4. Apriete el tornillo de ajuste de la polea del motor.
Broca quemada.	<ol style="list-style-type: none"> 1. Velocidad incorrecta. 2. No salen virutas del orificio. 3. La broca está roma. 4. Suministro demasiado lento. 5. Sin lubricación. 	<ol style="list-style-type: none"> 1. Cambie la velocidad. Consulte el apartado "Cambio de velocidades y sustitución de la correa". 2. Retire la taladradora con frecuencia para quitar las virutas. 3. Vuelva a afilar la broca o sustitúyala por otra nueva. 4. Suministro suficientemente rápido - permite realizar el corte. 5. Lubrique la taladradora. Consulte el apartado "Suministro".

Descentramiento de la punta de la broca: orificio perforado no redondo.	<ol style="list-style-type: none"> 1. Grano duro en madera o longitudes de las trayectorias de corte y/o ángulos no iguales. 2. La broca está doblada. 	<ol style="list-style-type: none"> 1. Vuelva a afilar la broca correctamente. 2. Sustituya la broca.
Astillas de madera en la parte inferior de la pieza.	<ol style="list-style-type: none"> 1. No hay ningún material de apoyo debajo de la pieza de trabajo. 	<ol style="list-style-type: none"> 1. Utilice un material de apoyo. Consulte el apartado "Funcionamiento".
La pieza de trabajo se suelta de la mano.	<ol style="list-style-type: none"> 1. La pieza de trabajo no está bien apoyada o fijada. 	<ol style="list-style-type: none"> 1. Sujete la pieza de trabajo o fjela. Consulte el apartado "Funcionamiento".
La broca se queda atascada en la pieza de trabajo.	<ol style="list-style-type: none"> 1. La pieza de trabajo pellizca la broca o la presión de suministro es excesiva. 2. Tensión inadecuada de la correa. 	<ol style="list-style-type: none"> 1. Sujete la pieza de trabajo o fjela. Consulte el apartado "Funcionamiento". 2. Ajuste la tensión. Consulte el apartado "Tensión de la correa".
Descentramiento o vaivén excesivo de la broca.	<ol style="list-style-type: none"> 1. La broca está doblada. 2. Los cojinetes están desgastados. 3. La broca no está correctamente colocada en el portabrocas. 4. El portabrocas no está bien instalado. 	<ol style="list-style-type: none"> 1. Utilice una broca recta. 2. Sustituya los cojinetes. 3. Instale la broca correctamente. Consulte los apartados "Funcionamiento" y "Montaje y ajustes". 4. Instale el portabrocas correctamente. Consulte el apartado "Instalación del portabrocas".
El eje hueco regresa demasiado lento o demasiado rápido.	<ol style="list-style-type: none"> 1. El muelle de compresión tiene una tensión excesiva. 	<ol style="list-style-type: none"> 1. Ajuste la tensión del muelle. Consulte el apartado "Muelle de retorno del eje hueco".
El portabrocas no se mantiene acoplado al eje. Se cae al intentar instalarlo.	<ol style="list-style-type: none"> 1. Suciedad, grasa o aceite en la superficie cónica interior del portabrocas o en la superficie cónica del eje. 	<ol style="list-style-type: none"> 1. Utilizando un producto de limpieza sin alcohol, limpie la superficie cónica del portabrocas y del eje para eliminar toda la suciedad, grasa y aceite. Consulte el apartado "Instalación del portabrocas".

DESCRIZIONE

1. Blocco di foratura
2. Superficie di supporto
3. Base
4. Cremagliera
5. Colonna
6. Anello della cremagliera
7. Impugnatura della manovella di discesa
8. Vite senza fine
9. Impugnatura della manovella di bloccaggio del piano di lavoro
10. Impugnatura della manovella di regolazione dell'altezza del piano di lavoro
11. Bulloni esagonali
12. Mandrino
13. Chiave per mandrino
14. Chiave a brugola 4 mm
15. Chiave a brugola 3 mm
16. Cacciavite a taglio
17. Chiave regolabile
18. Chiave inglese 12 mm
19. Martello o mazzetta in plastica
20. Squadra combinata
21. Blocco di legno
22. Motore
23. Testina laser
24. Bobina di ritorno a manicotto/molla
25. Staffa per piano
26. Coperchio della puleggia
27. Interruttore On/Off (Acceso/Spento)
28. Interruttore laser
29. Schermo di protezione superiore
30. Foro di supporto
31. Vite di bloccaggio del blocco di foratura
32. Manopola di bloccaggio della tensione della cinghia
33. Supporto per chiave mandrino
34. Puleggia del mandrino
35. Puleggia del motore
36. Supporto del piano
37. Foro della leva di regolazione del piano
38. Supporto per colonna
39. Vite di fissaggio
40. Testa
41. Vite di fissaggio del blocco di foratura
42. Fori filettati
43. Verniero
44. Asse
45. Bullone x 2 (M12, non incluso)
46. Rondella di bloccaggio x 4 (Dia. 12mm, non inclusa)
47. Rondella in gomma x 2 (Dia. 12mm, non inclusa)
48. Rondella piatta x 2 (Dia. 12mm, non inclusa)
49. Controdado x 2 (M12, non incluso)
50. Dado esagonale x 2 (M12, non incluso)
51. Superficie di lavoro
52. Escala de inclinación
53. Bullone di bloccaggio inclinazione piano
54. Dado
55. Dado di blocco
56. Viti
57. Tacca anteriore inferiore
58. Tappo a molla
59. Controdado esterno
60. Dado interno
61. Tacca
62. Spallamento
63. Mandrino a ganasce
64. Punta trapano
65. Profondità
66. Puntatore scala di profondità
67. Scala di profondità
68. Dado superiore
69. Dado inferiore
70. Morsetto di arresto della profondità
71. Pezzo da lavorare

Durante la progettazione di questo trapano a colonna è stata data la massima priorità a sicurezza, prestazioni e affidabilità.

UTILIZZO

Il trapano a colonna è progettato per eseguire fori in legno, plastica, alluminio e acciaio.

Il prodotto deve essere utilizzato solo da operatori adulti, che abbiano letto il manuale di istruzioni e abbiano compreso rischi e pericoli.

Il prodotto è studiato per essere fissato a un piano di lavoro robusto. Se la base non è fissata in modo sicuro, l'intera macchina tende a ribaltarsi, scivolare o avanzare sulla superficie di appoggio durante le operazioni, aumentando la possibilità di gravi lesioni personali.

Il prodotto deve essere utilizzato in un ambiente asciutto, con eccellente illuminazione e adeguata ventilazione.

Il prodotto è indicato per l'uso hobbistico e deve essere utilizzato solo come descritto sopra e non per qualsiasi altro scopo.

NORME DI SICUREZZA GENERALI

▲ AVVERTENZE

Leggere attentamente tutte le avvertenze, le istruzioni e le specifiche fornite con l'apparecchio e fare riferimento alle illustrazioni. La mancata osservanza delle istruzioni riportate di seguito potrebbe provocare incidenti quali incendi, scosse elettriche e/o gravi lesioni fisiche.

Conservare tutte le istruzioni e le avvertenze per eventuali riferimenti futuri. Il termine "elettroutensile" nelle avvertenze si riferisce all'utensile elettrico alimentato con un cavo o all'utensile elettrico alimentato con una batteria (senza fili).

SICUREZZA AREA LAVORO

- **Tenere l'area di lavoro pulita e ben illuminata.** Aree non ordinate o non illuminate possono causare incidenti.
- **Non mettere in funzione gli elettroutensili in atmosfere esplosive, come in presenza di liquidi infiammabili, gas o polvere.** Gli elettroutensili creano scintille che potranno causare incendi se a contatto con polveri o vapori.
- **Tenere bambini ed eventuali osservatori lontani quando si mette in funzione un elettroutensile.** Eventuali distrazioni potranno causare una perdita di controllo.

SICUREZZA ELETTRICA

- **La spina dell'elettroutensile deve combaciare con la presa. Non modificare mai la spina. Non utilizzare eventuali adattatori con elettroutensili con messa a terra (collegati a terra).** Spine non modificate e prese adeguate ridurranno il rischio di scosse elettriche.

- **Evitare il contatto con il corpo con dispositivi con messa a terra come tubi, radiatori, fornelli elettrici e frigoriferi.** Esiste un maggior rischio di scosse elettriche se il corpo dell'operatore entra in contatto con un dispositivo con messa a terra.
- **Non esporre gli elettroutensili a pioggia o umidità.** Nel caso in cui dell'acqua entrerà nell'elettroutensile, si aumenterà il rischio di scosse elettriche.
- **Non sottoporre il cavo a stress. Non tirare l'elettroutensile dal cavo per trasportarlo, né scollarlo tirando il cavo dell'alimentazione. Tenere il cavo dell'alimentazione lontano da fonti di calore, olio e estremità appuntite o parti in movimento.** Cavi danneggiati o intrecciati potranno aumentare il rischio di scosse elettriche.
- **Quando si mette in funzione un utensile in esterni, utilizzare una prolunga adatta per tali scopi.** Utilizzare un cavo adeguato per esterni ridurrà il rischio di scosse elettriche.
- **Se non è possibile evitare di utilizzare elettroutensili in zone umide, utilizzare una fornitura elettrica con un dispositivo di corrente residua (RCD).** Utilizzare un RCD ridurrà il rischio di scosse elettriche.

SICUREZZA PERSONALE

- **Prestare la massima attenzione a quello che si sta facendo e utilizzare buon senso quando si mette in funzione un utensile. Non utilizzare l'utensile se stanchi o sotto l'influenza di droghe, alcool o medicinali.** Un momento di disattenzione mentre si utilizzano elettroutensili potrà causare gravi lesioni personali.
- **Indossare dispositivi equipaggiamento di protezione personale. Indossare sempre occhiali di protezione.** L'utilizzo di attrezzature di protezione individuali, come maschere antipolveri, scarpe di sicurezza antidrucciolo, elmetto, e dispositivi auricolari riducono il rischio di lesioni personali.
- **Evitare l'avvio accidentale. Prima di prendere o trasportare il prodotto, o di collegarlo alla presa di corrente e/o al pacco batterie, assicurarsi che il suo interruttore sia spento.** Trasportare dispositivi elettrici con il dito sull'interruttore di attivazione, oppure collegarli all'elettricità con l'interruttore di attivazione inserito, può causare infortuni.
- **Rimuovere eventuali chiavi o dispositivi prima di accendere l'elettroutensile.** Un utensile o un cavo lasciati collegati a una parte rotante dell'elettroutensile potranno causare gravi lesioni personali.
- **Non protendersi. Mantenere sempre l'equilibrio e un punto di appoggio sicuro.** Ciò permetterà un controllo migliore dell'elettroutensile in situazioni inaspettate.
- **Vestirsi adeguatamente. Non indossare abiti con parti svolazzanti o gioielli. Tenere capelli e abiti a distanza dalle parti mobili.** Abiti con parti svolazzanti, gioielli o capelli lunghi potranno



rimanere impigliati nelle parti in movimento.

- **Ove siano previsti dispositivi di collegamento a impianti di estrazione e di raccolta delle polveri, assicurarne il collegamento e l'utilizzo corretti.** La raccolta delle polveri può ridurre i rischi connessi.
- **La familiarità d'uso proveniente dall'impiego frequente degli utensili non deve indurre a operare con eccessiva disinvoltura o a ignorare le norme di sicurezza.** Una momentanea disattenzione può causare lesioni gravi in pochi attimi.

UTILIZZO E CURA DI UN UTENSILE

- **Non forzare l'utensile. Utilizzare il prodotto corretto per il lavoro da svolgere.** Il prodotto corretto svolgerà il lavoro in modo migliore e in maniera più sicura se lo si utilizza alla potenza di utilizzo per la quale è stato progettato.
- **Non utilizzare l'elettro utensile se l'interruttore non lo accende o spegne.** Un elettro utensile non controllabile dall'interruttore è pericoloso e deve essere riparato.
- **Prima di regolare, sostituirne gli accessori o riporre gli utensili elettrici, scollegare la spina dalla presa elettrica e/o rimuovere il gruppo batteria, se rimovibile.** Tali misure preventive di sicurezza riducono il rischio di avviare accidentalmente il prodotto.
- **Riporre elettro utensili non in funzione lontano dalla portata dei bambini e non lasciare che persone che non conoscono il funzionamento dell'elettro utensile mettano in funzione il dispositivo.** Gli elettro utensili possono essere pericolosi nelle mani di operatori non qualificati.
- **Manutenere gli utensili elettrici e i loro accessori. Cotrollare il corretto allineamento o l'ingolfamento di parti in movimento, la rottura di parti e qualsiasi altra condizione che potrà influire sul funzionamento dell'utensile. Se danneggiato farlo riparare prima di utilizzarlo di nuovo.** Utensili sui quali non viene svolta una corretta manutenzione potranno causare gravi incidenti.
- **Mantenere gli utensili da taglio affilati e puliti.** Se mantenuti in modo appropriato con lame affilate, gli strumenti da taglio vanno incontro meno frequentemente a inceppamento e sono più facili da controllare.
- **Utilizzare il prodotto, gli accessori, le punte, ecc. secondo le indicazioni contenute in queste istruzioni, tenendo conto delle condizioni di lavoro e del compito da eseguire.** Utilizzare l'elettro utensile per operazioni diverse da quelle indicate potrà causare situazioni pericolose.
- **Mantenere la maniglia e le superfici di presa asciutte, pulite e prive di olio o grasso.** Maniglie e superfici di presa scivolose non consentono di maneggiare e controllare in sicurezza lo strumento in caso di situazioni impreviste.

MANUTENZIONE

- **Fare svolgere sempre le dovute riparazioni da una persona qualificata che utilizzi solo parti di ricambio identiche.** In questo modo verrà garantita la sicurezza dell'utensile.

ISTRUZIONI DI SICUREZZA DEL TRAPANO A COLONNA

- **Il trapano deve essere fissato.** Un trapano che non è correttamente fissato potrebbe spostarsi o capovolgersi e provocare lesioni personali.
- **Il pezzo da lavorare deve essere bloccato o fissato all'apposito supporto. Non trapanare i pezzi che sono troppo piccoli per essere fissati in modo sicuro.** Mantenere il pezzo da lavorare con le mani durante l'uso potrebbe provocare lesioni personali.
- **Non indossare guanti.** I guanti potrebbero essere impigliati nei pezzi rotanti o le schegge provocando lesioni personali.
- **Tenere le mani fuori dall'area di lavoro mentre lo strumento è in funzione.** Il contatto con le parti rotanti o le schegge potrebbe comportare lesioni personali.
- **Assicurarsi che l'accessorio stia girando prima di inserirlo nel pezzo da lavorare.** Diversamente l'accessorio potrebbe incepparsi nel pezzo da lavorare causando un movimento del pezzo di lavoro e lesioni personali.
- **Quando l'accessorio si inceppa, interrompere la pressione verso il basso e spegnere lo strumento. Ricercare e intraprendere le azioni correttive per eliminare la causa dell'inceppamento.** L'inceppamento può causare uno spostamento imprevisto del pezzo di lavoro e lesioni personali.
- **Evitare la generazione di lunghe schegge regolando l'interruzione della pressione verso il basso.** Le schegge metalliche appuntite potrebbero causare aggrovigliamento e lesioni personali.
- **Non rimuovere mai le schegge dall'area di trapanatura mentre lo strumento è in funzione. Per rimuovere le schegge, spostare l'accessorio lontano dal pezzo di lavoro, spegnere lo strumento e attendere che l'accessorio smetta di spostarsi. Utilizzare gli strumenti come spazzola o gancio per rimuovere le schegge.** Il contatto con le parti rotanti o le schegge potrebbe comportare lesioni personali.
- **Gli accessori con le categorie di velocità devono essere classificati almeno allo stesso modo della velocità massima indicata dell'attrezzo elettrico.** Gli accessori utilizzati ad una velocità superiore alla loro velocità nominale possono infatti rompersi ed essere proiettati verso l'esterno.
- **Verificare che le punte siano pulite e affilate.** Le punte affilate riducono il rischio di blocchi. Le punte sporche o smussate rischiano di causare un problema di allineamento dell'apparecchio e di ferire l'operatore.





- **Tenere le mani lontane dall'area di lavoro.** Tenere le mani lontane dalla punta. Non indossare indumenti ampi, gioielli, ecc. e raccogliere i capelli lunghi. Vi è infatti il rischio che rimangano impigliati nella punta del trapano.
- **Fissare sempre il pezzo da lavorare contro la colonna per evitare che ruoti durante la lavorazione.** Durante le fasi di foratura, non tenere mai il pezzo da lavorare con le mani.
- **Selezionare una velocità di foratura che sia al tempo stesso adatta alle punte e al materiale del pezzo da lavorare.**
- **Accertarsi che la punta o l'utensile da taglio sia correttamente fissata nel mandrino.**
- **Assicurarsi che la chiave per mandrino sia stata rimossa dal mandrino stesso prima di collegare il trapano all'alimentazione elettrica o di metterlo in funzione.**
- **Regolare l'altezza del piano di lavoro o l'arresto di profondità onde evitare di forare il piano.** Dopo avere terminato di utilizzare il trapano a colonna, arrestarlo, togliere la punta e pulire il piano di lavoro.
- **Evitare il contatto diretto con gli occhi quando si utilizza la guida al laser.**
- **Assicurarsi che il raggio laser sia sempre rivolto verso una superficie non riflettente.** Non utilizzare mai il raggio laser su superfici lucide e riflettenti.
- **Non mettere mai le dita in una posizione tale per cui rischino di entrare a contatto con la punta o un altro accessorio di taglio, nel caso in cui il pezzo si sposti bruscamente.**
- **Non effettuare mai operazioni di foratura spostando il piano di lavoro o il blocco di foratura per avvicinarli l'uno all'altro.** Non mettere in funzione il trapano e non iniziare ad utilizzarlo prima di avere verificato che il dispositivo di bloccaggio della rotazione del blocco di foratura e la leva di serraggio del supporto del piano di lavoro siano saldamente fissati alla colonna e che gli anelli di supporto del blocco di foratura e del piano siano correttamente installati.
- **Prima di azionare l'interruttore, assicurarsi che lo schermo di protezione sia abbassato e che il mandrino sia in posizione.**
- **Quando non si intende più utilizzare il trapano a colonna, bloccare l'interruttore in posizione di "arresto".** Mentre la punta gira oppure il trapano è sotto tensione o è collegato all'alimentazione elettrica, non effettuare lavori di preparazione, di assemblaggio o di posizionamento sul piano di lavoro.
- **Se il cavo di alimentazione è danneggiato deve essere sostituito solo dalla ditta produttrice o dal centro servizi autorizzato per evitare eventuali rischi.**
- **Riporre gli utensili che non vengono utilizzati.** Quando non si utilizza l'utensile, riporlo in un luogo chiuso e asciutto, lontano dalla portata dei bambini.

- È consigliabile che lo strumento sia sempre alimentato da un dispositivo a corrente residua nominale che ha una corrente residua di 30 mA o inferiore.
- **Conservare queste istruzioni.** Far spesso riferimento alle istruzioni e utilizzarle per istruire altri. Prestare l'utensile sempre assieme a queste istruzioni.

LASER DI SICUREZZA

- La radiazione laser utilizzata nel prodotto è di Classe 2 con massimo $\approx 1\text{mW}$ e 650nm lunghezze d'onda. Non fissare direttamente il raggio laser. La mancata osservanza delle regole potrà causare gravi lesioni alla persona.
- Non fissare il raggio durante le operazioni.
- Non proiettare il raggio laser direttamente negli occhi degli altri. Si potranno riportare gravi lesioni personali.
- Non mettere il laser in una posizione che potrà costringere a fissare intenzionalmente o non intenzionalmente il raggio laser.
- Non utilizzare utensili ottici per visualizzare il raggio laser.
- Non mettere in funzione il laser accanto a bambini né permettere a bambini di mettere in funzione il laser.
- Non tentare di svolgere riparazioni al dispositivo laser da soli.
- Non tentare di modificare da soli alcuna parte del dispositivo.
- Tutte le riparazioni dovranno essere svolte dalla ditta produttrice del laser o da un agente autorizzato.
- Non sostituire il laser con un tipo di laser diverso.

RISCHI RESIDUI

Anche quando il prodotto viene utilizzato come indicato, sarà ancora impossibile eliminare completamente alcuni fattori di rischio residuo. L'operatore dovrà prestare particolare ed ulteriore attenzione a questi punti per ridurre il rischio di gravi lesioni alla persona.

- **Lesioni all'udito** – Indossare cuffie di protezione adatte e limitare l'esposizione.
- **Lesioni alla vista** – Indossare occhiali o schermi di protezione quando si utilizza il prodotto.
- **Lesioni causate da vibrazioni** - Limitare l'esposizione e seguire le istruzioni sulla riduzione dei rischi in questo manuale.
- **Lesioni all'apparato respiratorio da polvere** causate da messa in funzione del prodotto. – Indossare protezioni adeguate a seconda del tipo di polvere.



⚠ AVVERTENZE

Alcune polveri che si formano durante le operazioni di levigatura, segatura, molatura, foratura ed altre attività nel campo dell'edilizia contengono prodotti chimici che potrebbero essere cancerogeni e provocare anomalie congenite o problemi di fertilità. Ecco alcuni esempi di questi prodotti chimici:

- il piombo nelle vernici a base di piombo;
- la silice cristallizzata che si trova in alcuni cementi, mattoni ed altri prodotti per l'edilizia;
- l'arsenico e il cromo che si trovano in alcuni legni trattati chimicamente.

I rischi connessi a questi prodotti variano in funzione della frequenza con cui questo tipo di lavori viene eseguito. Per ridurre i rischi di esposizione a queste sostanze chimiche, lavorare in un ambiente ben aerato con materiale di sicurezza conforme, quali le maschere antipolvere specificatamente concepite per filtrare le particelle microscopiche.

PARTE ELETTRICA

Utilizzare un cavo di prolunga tripolare con una spina di terra con 3 perni a una presa con 3 fori. Quando si utilizza un utensile a una considerevole distanza dall'alimentazione principale, utilizzare una prolunga idonea a portare la corrente necessaria per alimentare il prodotto. Una prolunga non idonea potrà causare perdita di voltaggio e farà surriscaldare il motore.

Prima di utilizzare un cavo di prolunga, ispezionarlo per verificare la presenza di fili allentati o esposti e isolamento tagliato o usurato.

⚠ AVVERTENZE

Tenere la prolunga lontana dall'area di lavoro. Posizionare il cavo in modo che non rimarrà impigliato in pezzi di legno, utensili o altri oggetti mentre si utilizza un elettrotensile. La mancata osservanza di questa norma potrà comportare gravi lesioni fisiche.

⚠ AVVERTENZE

Controllare le prolunghie prima di ogni utilizzo. Se danneggiato sostituire immediatamente. Non utilizzare mai utensili con un cavo danneggiato dal momento che toccare la zona danneggiata potrà causare scosse elettriche che provocheranno gravi lesioni.

COLLEGAMENTO ELETTRICO

Questo prodotto viene alimentato con un motore elettrico di precisione integrato. Dovrebbe essere collegata solo a un'alimentazione da 220~240V, AC (normale corrente domestica), 50 Hz. Non mettere in funzione con corrente diretta (DC). Una sostanziale caduta di voltaggio causerà una perdita di potenza e farà surriscaldare il motore. Se

il prodotto non funziona quando viene collegato a una presa, controllare l'alimentazione elettrica.

VELOCITÀ E CABLAGGIO

La velocità non è costante e diminuisce sotto carico o con un voltaggio più basso. Per il voltaggio, assicurarsi che l'impianto del luogo di lavoro sia compatibile con la potenza nominale del motore. Un impianto elettrico per la luce potrà non essere in grado di reggere un elettrotensile. Un cavo abbastanza pesante per una breve distanza sarà troppo leggero per una distanza più grande. Un impianto elettrico in grado di reggere un elettrotensile potrà non essere in grado di reggerne contemporaneamente due o tre.

ISTRUZIONI PER LA MESSA A TERRA

Nel caso in cui si verifichi un malfunzionamento o una rottura, la messa a terra fornisce un percorso a bassa resistenza che riduce il rischio di scosse elettriche. Questo prodotto è dotato di un cavo con un connettore di terra e una presa di terra. La spina deve essere inserita in una presa idonea correttamente installata e collegata seguendo tutte le norme locali.

Non modifi care la presa fornita. Se la spina non entra nella presa, far installare una presa adatta da un tecnico qualificato. Il collegamento improprio del conduttore di massa può causare un rischio di scossa elettrica. Il conduttore con isolamento avente una superficie esterna di colore verde, con o senza strisce gialle, è il conduttore di messa a terra. Se è necessaria la riparazione o la sostituzione del cavo elettrico o della spina, non collegare il conduttore di terra ad un terminale dal vivo.

Riparare o sostituire un cavo danneggiato o consumato immediatamente.

ACCESSORI RACCOMANDATI**⚠ AVVERTENZE**

Utilizzare solo accessori raccomandati per questo prodotto.

Le istruzioni per utilizzare gli accessori in totale sicurezza sono fornite con gli accessori stessi. L'impiego di accessori diversi da quelli raccomandati può comportare il rischio di gravi lesioni.

- Punta trapano
- Morse di allineamento
- Morsetti per trapano a colonna

⚠ AVVERTENZE

Utilizzare solo accessori progettati per questo prodotto per evitare lesioni causati dall'eiezione di parti rotte o pezzi in lavorazione.

Non utilizzare alcun accessorio prima di aver letto completamente le istruzioni o il manuale dell'operatore per l'accessorio stesso.

CONTENUTO DELLA CONFEZIONE

APERTURA E ISPEZIONE DEL CONTENUTO

AVVERTENZE

Se una parte risulta mancante o danneggiata, non collegare il prodotto fino a quando non viene sostituita la parte mancante o danneggiata, e il montaggio è completo.

Disimballare con cura il prodotto e tutte le sue parti, e confrontare il contenuto con l'elenco sottostante.

Per proteggere il prodotto dall'umidità, è stato applicato un rivestimento protettivo alle superfici lavorate. Rimuovere il rivestimento con un panno morbido inumidito con kerosene o WD-40.

AVVERTENZE

Per evitare incendi o reazioni tossiche, non pulire il prodotto utilizzando benzina, nafta, acetone, solventi per vernici o solventi simili altamente volatili.

Applicare uno strato di cera in pasta sul piano, la colonna e le superfici lavorate della base per evitare la ruggine. Pulire tutte le parti con un panno asciutto e pulito.

Articolo	Descrizione	Q.tà
1	Blocco di foratura	1
2	Superficie di supporto	1
3	Base	1
4	Cremagliera	1
5	Colonna	1
6	Anello della cremagliera	1
7	Impugnatura della manovella di discesa	3
8	Vite senza fine	1
9	Impugnatura della manovella di bloccaggio del piano di lavoro	1
10	Impugnatura della manovella di regolazione dell'altezza del piano di lavoro	1
11	Bulloni esagonali	3
12	Mandrino	1
13	Chiave per mandrino	1
14	Chiave a brugola 4 mm	1
15	Chiave a brugola 3 mm	1

MONTAGGIO E REGOLAZIONI

AVVERTENZE

Per la propria sicurezza, non collegare la spina alla presa di alimentazione fino a quando non sono state completate tutte le fasi di montaggio e sono state lette e comprese le istruzioni di sicurezza e di funzionamento.

AVVERTENZE

Il prodotto è un utensile pesante, pertanto è necessario sollevarlo con l'aiuto di due o più persone per un facile assemblaggio.

MONTAGGIO DELLA COLONNA ALLA BASE

Vedere la figura 5.

1. Posizionare la base su una superficie piana.
2. Allineare i fori filettati presenti sulla colonna con i fori filettati della base.
3. Inserire una vite a testa esagonale in ogni foro.
4. Serrare le viti servendosi di una chiave inglese.

MONTAGGIO DEL PIANO SULLA COLONNA

Figure dalla 6-10.

1. Inserire l'impugnatura della manovella di bloccaggio del piano di lavoro nel foro filettato nella parte posteriore della staffa del piano.
NOTE: Installare l'impugnatura da sinistra a destra, in modo tale che si inserisca prima nel lato non filettato della staffa.
2. Far avanzare la vite senza fine attraverso il foro della leva di regolazione del piano nella staffa del piano. Assicurarsi che la vite senza fine ingrani con l'ingranaggio all'interno.
NOTE: Non rimuovere la lubrificazione della vite senza fine.
3. Inserire la cremagliera nella scanalatura del supporto del piano di lavoro, orientando le tacche verso l'esterno e l'estremità liscia verso l'alto. La vite senza fine dovrà innestarsi nella cremagliera.
4. Agendo con entrambe le mani, fare scorrere il supporto del piano di lavoro e la cremagliera sulla colonna, finché l'estremità inferiore della cremagliera non si incastrerà nell'anello della base, contro la colonna stessa.
5. Serrare l'impugnatura della manovella di bloccaggio del piano di lavoro per bloccare il piano alla colonna.
NOTE: Non serrare eccessivamente.
6. Fare scorrere l'anello di fissaggio della cremagliera, con la parte conica verso il basso, sulla colonna, finché la parte conica non si incastrerà con l'estremità bisellata della cremagliera.
7. Serrare la vite di bloccaggio dell'anello mediante una chiave a brugola. Per evitare di danneggiare la colonna o l'anello, non serrare eccessivamente la vite di fissaggio.
NOTE: Il supporto del piano di lavoro deve potere

ruotare liberamente verso destra e verso sinistra.

- Inserire la manovella di regolazione dell'altezza del piano di lavoro sull'estremità della vite senza fine, allineando il lato piano dell'albero alla vite di fissaggio.
- Serrare la vite di bloccaggio mediante una chiave a brugola.

INSTALLAZIONE DEL BLOCCO DI FORATURA

Vedere la figura 11.

⚠ AVVERTENZE

Il blocco di foratura del trapano è pesante pertanto deve essere sollevato con l'aiuto di due persone per eseguire un assemblaggio sicuro del blocco di foratura alla colonna.

- Inserire il blocco di foratura sulla colonna, con il mandrino rivolto verso la parte superiore del piano di lavoro.
NOTE: Il prodotto è pesante. All'occorrenza, farsi aiutare da qualcuno.
- Fare scorrere il blocco di foratura il più possibile verso il basso. Allineare il blocco con la base e quindi serrare le 2 viti di fissaggio servendosi di una chiave a brugola.

INSTALLAZIONE DELLE IMPUGNATURE DELLA MANOVELLA DI DISCESA

Vedere la figura 12.

- Avvitare le 3 impugnature della manovella di discesa nei fori filettati del verniero.

INSTALLAZIONE DEL MANDRINO

Figure dalla 13-15.

⚠ AVVERTENZE

Prima di eseguire qualsiasi operazione di assemblaggio del mandrino al blocco di foratura, pulire tutte le superfici di accoppiamento con un prodotto privo di petrolati. Qualsiasi olio o grasso utilizzato nel confezionamento di queste parti deve essere rimosso per impedire che il mandrino possa allentarsi durante il funzionamento.

- Pulire il foro filettato nel mandrino con un panno pulito e un detergente non a base di alcool. Pulire eventuali residui di olio ed eventuali tracce di sporco.
- Pulire le superfici filettate sull'alberino di trasmissione con le stesse modalità di cui sopra.
NOTE: Assicurarsi che non vi siano particelle estranee attaccate alle superfici. Anche la più piccola traccia di sporco o olio su una di queste superfici impedirà al mandrino di innestarsi correttamente. Ciò potrebbe causare oscillazioni del mandrino e della punta.
- Posizionamento del mandrino sull'alberino di trasmissione. Le ganasce del mandrino devono

essere completamente aperte, per evitare di danneggiarle.

- Sbloccare la leva di serraggio del supporto del piano di lavoro e allentare il piano dalla parte inferiore del mandrino.
- Inserire il mandrino nell'alberino spingendolo fino in fondo.
- Proteggendolo con un pezzo di legno, picchiare sul mandrino con una mazzetta o un martello per fissarlo saldamente all'albero.

⚠ ATTENZIONE

Rischio di danni. Per evitare danni al mandrino, non inserire il mandrino sull'alberino utilizzando un martello di metallo.

RIMOZIONE DEL MANDRINO

- Ruotare le impugnature della manovella di discesa per abbassare il mandrino alla posizione più bassa.
- Inserire un giunto sferico (non illustrato) sopra il mandrino e picchiare delicatamente con un martello o una mazzetta di gomma per far cadere il mandrino dall'alberino di trasmissione.
NOTE: Non colpire il mandrino direttamente con il martello o la mazzetta di gomma.

NOTE: Per evitare possibili danni al mandrino, sollevare completamente le ganasce e prepararsi ad afferrare il mandrino quando cade.

MONTAGGIO DEL TRAPANO A COLONNA SULLA SUPERFICIE DI LAVORO

Vedere la figura 16.

Se il trapano a colonna è destinato ad essere utilizzato sempre nello stesso luogo, fissarlo in modo permanente ad un banco da lavoro o ad altra superficie stabile.

Se invece il trapano è destinato ad essere utilizzato in luoghi diversi, fissarlo ad un'asse di legno, che potrà poi essere facilmente fissata ad un banco da lavoro o ad altra superficie mediante una morsa. L'asse di supporto utilizzata dovrà essere sufficientemente grande da impedire al trapano di ondeggiare durante le fasi operative. Si raccomanda l'impiego di compensato o truciolato di buona qualità con spessore di 19 mm (3/4").

- Segnare le posizioni dei fori della base del trapano sulla superficie su cui dovrà essere fissato l'apparecchio.
- Praticare i fori nelle posizioni individuate sulla superficie di fissaggio.
- Posizionare il trapano a colonna sulla superficie ed allineare i fori della base con i fori praticati sulla superficie stessa.
- Inserire le viti (non incluse) e serrare saldamente con le rondelle di blocco e i dadi esagonali (non inclusi). Se si utilizzano tirafondi, assicurarsi che siano della lunghezza sufficiente per attraversare i fori nella base del trapano e nel materiale su cui esso viene montata. Se si utilizzano bulloni a testa quadra, assicurarsi che siano della lunghezza sufficiente da attraversare i fori nella base del trapano, il

materiale su cui viene montato nonché le rondelle di bloccaggio e i dadi esagonali.

NOTE: Tutti i bulloni devono essere inseriti dall'alto. Installare le rondelle di bloccaggio e i dadi esagonali dalla parte inferiore del banco.

Dopo avere fissato saldamente il trapano a colonna su una superficie stabile:

1. Controllare le vibrazioni quando il motore è in funzione.
2. Regolare e, se necessario, serrare nuovamente i vari elementi di fissaggio.
3. Accertarsi che il gruppo piano di lavoro-supporto si sposti facilmente lungo la colonna.
4. Verificare che l'albero ruoti liberamente.

CONSERVAZIONE DELLA CHIAVE PER MANDRINO

Vedere la figura 17.

Il supporto di archiviazione della chiave per mandrino si trova sul lato destro del prodotto.

FORATURA AD ANGOLO

Vedere la figura 18.

NOTE: La scala di inclinazione viene fornita per misurare il grado di inclinazione approssimativo del piano di lavoro. Se è necessaria maggiore precisione, è possibile utilizzare una squadra o un altro strumento di misurazione per posizionare il tavolo. Per utilizzare la scala di inclinazione:

1. Serrare il dado sul perno di bloccaggio servendosi di una chiave da 10 mm o regolabile in senso orario per rilasciare il perno dal supporto del piano. Il perno servirà quando si posiziona il piano alla sua impostazione di 0 gradi dal supporto del piano. Non gettare.
2. Allentare il grande bullone esagonale di bloccaggio dell'inclinazione del piano utilizzando una chiave da 17 mm o una chiave inglese.
3. Inclinare il tavolo, allineando la misurazione dell'angolo desiderato alla linea dello zero opposta della scala.
4. Serrare il bullone di bloccaggio dell'inclinazione del piano.
5. Per riportare il tavolo alla sua posizione originale, allentare il bullone di bloccaggio dell'inclinazione del piano. Riportare il tavolo in posizione a 0°.
6. Riportare il dado sul perno di bloccaggio fino all'estremità esterna dei filetti. Toccare delicatamente il perno di bloccaggio, utilizzando una mazzetta di gomma, fino a quando non si innesta nel foro di accoppiamento della staffa del piano. Serrare manualmente il dado.

NOTE: Il piano è stato rimosso dalla figura per chiarezza.

AVVERTENZE

Per evitare lesioni personali, scollegare sempre la spina dalla presa di corrente quando si effettuano le regolazioni.

ALBERINO / MANICOTTO

Vedere la figura 20.

Ruotare le impugnature della manovella di discesa in senso antiorario per abbassare l'alberino alla sua posizione più bassa. Mantenere il mandrino e spostarlo dal fronte al retro. Se vi è gioco eccessivo, procedere con le seguenti modifiche:

1. Allentare il dado di bloccaggio che si trova sul lato destro del prodotto, utilizzando una chiave da 10 mm.
2. Ruotare la vite in senso orario per eliminare il gioco, utilizzando un cacciavite a taglio, ma senza ostacolare il movimento verso l'alto del mandrino. (Un lieve gioco nel mandrino è normale.)
3. Serrare il dado di bloccaggio.

MOLLA DI RITORNO A MANICOTTO

Vedere la figura 21.

Potrebbe essere necessario eseguire la regolazione della molla di ritorno a manicotto se la velocità di ritorno è troppo elevata o troppo bassa. Questa molla è situata sul lato sinistro del blocco di foratura.

1. Abbassare il piano per ulteriore margine.
2. Inserire un cacciavite nella tacca frontale inferiore del tappo a molla. Tenerlo in posizione mentre si allenta e si rimuove solo il dado di bloccaggio esterno, utilizzando una chiave da 10 mm.
3. Con il cacciavite ancora inserito nella tacca, allentare il dado interno solo fino a quando la tacca si disinnesta dallo spallamento sul blocco del trapano a colonna.

NOTE: Non rimuovere il dado interno poiché la molla verrà rilasciata forzatamente.

4. Ruotare con cautela il cappuccio della molla in senso antiorario con il cacciavite, innestando la prossima tacca.
5. Abbassare il manicotto nella posizione più bassa ruotando le impugnature della manovella di discesa in senso antiorario mentre si tiene il tappo a molla in posizione.
6. Se il manicotto si muove in alto e in basso come desiderato, serrare il dado interno contro tappo a molla e il tappo a molla con la chiave. Se troppo allentato, ripetere i passaggi da 3 a 5 per serrare. Se troppo stretto, ripetere i passaggi 4 e 5.
7. Fissare il dado esterno contro il dado interno con la chiave.

NOTE: Non serrare eccessivamente e limitare il movimento del manicotto.

TENSIONE DELLA CINGHIA

Vedere la figura 22.

1. Aprire il coperchio della puleggia.
2. Per sbloccare la tensione della cinghia, ruotare la manopola di bloccaggio della tensione della cinghia sul lato destro del blocco di foratura in senso antiorario.
3. Estrarre il motore verso la parte anteriore del prodotto per allentare la tensione della cinghia.
4. Posizionare la cinghia sulle posizioni della puleggia

- corrette per la velocità desiderata.
- Spingere il motore lontano dal blocco di foratura finché la cinghia non è ben tesa.
NOTE: La tensione della cinghia è corretta se la cinghia si piega di circa 13 mm (1/2") quando viene premuta al suo centro.
 - Serrare la manopola di bloccaggio della tensione della cinghia per fissare il motore in posizione. Chiudere il coperchio della puleggia.

CONTROLLO/REGOLAZIONE DELL'ALLINEAMENTO DEL LASER

Il prodotto integra un Laser Trac®.

I raggi laser consentono di visualizzare in anteprima il percorso della punta del trapano sul pezzo da forare prima di iniziare l'operazione.

⚠ AVVERTENZE

Evitare il contatto diretto con gli occhi.

Una luce laser viene irradiata quando la guida del laser è accesa. Evitare il contatto diretto con gli occhi. Scollegare il prodotto dalla presa di corrente prima di eseguire qualsiasi regolazione.

- Un puntatore laser non è un giocattolo e deve essere tenuto lontano dai bambini. L'uso improprio di questo apparecchio può provocare lesioni agli occhi irreparabili.
- Qualsiasi regolazione per aumentare la potenza del laser è vietata.
- Quando si utilizza il puntatore laser, non puntare il raggio laser verso persone e/o superfici riflettenti. Anche un raggio laser di minore intensità può causare danni agli occhi. Non fissare direttamente il raggio laser.
- Il puntatore laser non include componenti di manutenzione. Non aprire mai l'alloggiamento per eseguire operazioni di riparazione o regolazione.
- Etichetta di avvertenza del laser:



- Non rimuovere o rovinare le etichette di avvertenza del prodotto. La rimozione delle etichette aumenta il rischio di esposizione alle radiazioni.
- ATTENZIONE:** Un utilizzo dei comandi o delle regolazioni e uno svolgimento diverso delle procedure da quelle indicate di seguito potrà risultare in esposizioni pericolose alle radiazioni.
- Non tentare di riparare o smontare la leva del laser. Qualsiasi tentativo di riparazione del prodotto da personale non qualificato, può provocare gravi lesioni personali. Qualsiasi riparazione necessaria deve essere eseguita dal personale del centro autorizzato.
- ATTENZIONE:** L'uso di strumenti ottici con questo prodotto aumenta il pericolo per gli occhi.

⚠ AVVERTENZE

Non usare occhiali scuri per aumentare la luce laser. L'uso di vetri oscurati ridurrà la visione generale per l'applicazione e interferisce con il normale funzionamento dell'utensile.

⚠ AVVERTENZE

Radiazioni laser. Non dirigere il fascio su un pezzo con una superficie riflettente. Si sconsiglia l'uso di lamiere d'acciaio brillante lucide e riflettenti o altre superfici riflettenti simili. La superficie riflettente potrebbe riflettere a sua volta il fascio sull'operatore o altre persone.

REGOLAZIONE DEI RAGGI LASER

Vedere la figura 23.

Controllare l'allineamento del laser per verificare se il punto di intersezione dei raggi laser cade esattamente nella posizione in cui la punta deve forare il pezzo da lavorare. Se così non fosse, regolare i raggi laser servendosi delle apposite manopole di regolazione situate su ambo i lati del blocco di foratura.

- Tracciare una "X" su un pezzo di legno.
- Inserire una punta di piccolo diametro nel mandrino ed allinearne l'estremità con il centro della "X" appena tracciata.
- Fissare il pezzo di legno al piano di lavoro.
- Accendere il laser e verificare se i raggi laser si incrociano al centro della "X" disegnata sul pezzo di legno.
- Se così non fosse, allentare le viti dei singoli dispositivi laser servendosi di una chiave a brugola e ruotare le manopole di regolazione finché i raggi non si incrociano al centro della "X". Quindi, richiudere i dispositivi laser serrando le viti.

FUNZIONAMENTO

⚠ AVVERTENZE

Non permettere che l'eventuale familiarità con l'utensile renda disattenti. Non dimenticare mai che basta un secondo di distrazione per ferirsi in modo grave.

⚠ AVVERTENZE

Indossare sempre una maschera per gli occhi o occhiali di sicurezza con schermi laterali quando si utilizzano utensili. La mancata osservanza di questa norma, nel caso di proiezione di corpi estranei, potrebbe causare gravi lesioni.

⚠ AVVERTENZE

Non utilizzare componenti o accessori diversi da quelli raccomandati dal produttore per questo apparecchio. L'impiego di componenti o accessori non raccomandati potrebbe comportare il rischio di gravi lesioni.

⚠ AVVERTENZE

Per evitare possibili lesioni, tenere la protezione chiusa quando l'utensile è in funzione.

REGOLAZIONE DELLA VELOCITÀ E POSIZIONAMENTO DELLA CINGHIA

Vedere la figura 24.

La velocità dell'alberino è determinata dalla posizione della cinghia sulle pulegge all'interno del blocco di foratura. La tabella della velocità che si trova sul coperchio all'interno del blocco di foratura indica la velocità e la configurazione della puleggia raccomandate per ogni operazione di foratura.

Per modificare la configurazione della puleggia:

1. Sollevare il coperchio della puleggia.
2. Allentare il bullone.
3. Rimuovere la cinghia.
4. Riposizionare la cinghia secondo la tabella delle velocità.
5. Serrare nuovamente il bullone della cinghia.

NOTE: Fare riferimento alla sezione "Consigli sulla velocità di foratura" per le velocità di foratura e le dimensioni della punta raccomandate.

VELOCITÀ DI FORATURA RACCOMANDATA

TABELLA DELLA VELOCITÀ DI FORATURA (RPM)			
Diametro della punta (Pollici)	Materiale		
	Legno Plastica	Alluminio Zinco Ottone	Ferro Acciaio
1/16	2430	2430	2430
1/8			1800
3/16			1300
1/4			800
5/16			
3/8	1300	800	
1/2	1800	800	510

Interruttore On/Off (Acceso/Spento)

Vedere la figura 25.

Per accendere l'utensile:

1. Premere il tasto ON (I).

Per spegnere l'utensile:

1. Premere il tasto OFF (O).

⚠ AVVERTENZE

Assicurarsi che il pezzo non sia a contatto con la punta prima di azionare l'interruttore per avviare il prodotto. La mancata osservanza di questa norma potrà causare eventuali rimbalzi del pezzo sul quale si sta lavorando verso l'operatore e causare allo stesso gravi lesioni personali.

FISSAGGIO E RIMOZIONE DELLE PUNTE

Vedere la figura 26.

1. Scollegare il trapano dall'alimentazione elettrica.
2. Aprire o chiudere le ganasce del mandrino fino a quando l'apertura non sarà leggermente più grande delle dimensioni della punta che si vuole utilizzare.
3. Aprire o serrare la ganascia del mandrino, in modo tale che l'apertura sia leggermente più grande del diametro della punta che si desidera utilizzare.

⚠ AVVERTENZE

Non inserire la punta nella ganascia del mandrino e serrare come illustrato nella Figura 19. Ciò potrebbe causare l'esplosione della punta dal trapano, con conseguente rischio di infortuni gravi o danni al mandrino.

4. Serrare le ganasce in modo sicuro utilizzando la chiave per mandrino fornita. Non utilizzare una chiave per assicurare o allentare le ganasce.
5. Rimuovere la chiave per mandrino.
6. Per rimuovere la punta, eseguire in ordine inverso le fasi sopra illustrate.

⚠ AVVERTENZE

Per evitare lesioni o incidenti causati dall'esplosione della chiave del mandrino quando l'alimentazione è impostata su "ON", usare solo la chiave del mandrino fornita con il trapano a colonna. Controllare nuovamente e rimuovere la chiave del mandrino prima di accendere l'alimentazione su "ON". Posizionare la chiave del mandrino nel relativo supporto di conservazione quando non in uso.

FORATURA A UNA PROFONDITÀ SPECIFICA

È possibile eseguire un foro cieco (ossia, un foro che non attraversa completamente il pezzo da lavorare) ad una profondità specifica in due modi:

Metodo del pezzo da lavorare

Vedere la figura 27.

1. Segnare la profondità del foro sul lato del pezzo.
2. Con l'interruttore posizionato su "OFF", portare la punta verso il basso fino a quando la punta è allineata al segno.
3. Tenere l'impugnatura della manovella di discesa in quella posizione.



4. Posizionare il dado inferiore in basso fino a toccare il morsetto di arresto della profondità sul blocco.
5. Posizionare il dado superiore verso il basso e serrare contro il dado inferiore.
6. La punta si fermerà dopo aver percorso la distanza segnata sul pezzo.

Metodo della scala di profondità

Vedere la figura 28.

NOTE: Con il mandrino in posizione superiore, la punta del trapano deve trovarsi leggermente sopra la parte superiore del pezzo.

1. Con l'interruttore posizionato su "OFF", ruotare l'impugnatura della manovella di discesa fino a quando il puntatore punta alla profondità desiderata sulla scala di profondità e mantenere l'impugnatura in quella posizione.
2. Posizionare il dado inferiore in basso fino a toccare il morsetto di arresto della profondità.
3. Posizionare il dado superiore verso il dado di bloccaggio inferiore e serrare.
4. La punta si fermerà dopo aver percorso la distanza segnata sulla scala di profondità.

Foratura

1. Utilizzando un punzone centrale o un chiodo tagliente, segnare un punto nel pezzo in cui si desidera eseguire il foro.
2. Accendere il laser e allineare i raggi laser con il rientro.
3. Accendere l'interruttore di alimentazione e tirare verso il basso le impugnature della manovella di discesa con un sforzo sufficiente per consentire al trapano di tagliare.

L'avanzamento troppo rapido potrebbe causare scivolamenti della cinghia o della punta, rotture del pezzo o della punta.

Durante la foratura di metallo, sarà necessario lubrificare la punta del trapano con olio per evitare il surriscaldamento.

AVVERTENZE DI SICUREZZA

AVVERTENZE

Non indossare indumenti ampi, guanti, cravatte o gioielli, che potrebbero impigliarsi e trascinare l'operatore verso l'elettro utensile. Raccogliere i capelli lunghi.

1. In caso di componenti mancanti, malfunzionamenti, danneggiati o rotti, interrompere immediatamente il funzionamento fino a quando tali componenti non saranno stati adeguatamente riparati o sostituiti.
2. Non mettere mai le dita in una posizione tale per cui rischino di entrare a contatto con la punta o un altro accessorio da taglio. Il pezzo da lavorare potrebbe scivolare o la mano slittare inaspettatamente.
3. Per impedire che il pezzo venga strappato dalle mani, gettato o frantumato dall'utensile, sostenere adeguatamente il pezzo nel modo seguente:

- Posizionare sempre materiale di scarto (utilizzato sotto il pezzo) in modo che venga a contatto con il lato sinistro della colonna.
 - Quando possibile, posizionare il pezzo a contatto con il lato sinistro della colonna. Se è troppo corto o il piano è inclinato, fissare saldamente al piano, utilizzando le fessure presenti sul piano stesso.
 - Quando si utilizza un morsetto per trapano a colonna (non incluso), fissarlo al piano.
 - Non eseguire operazioni a mano libera (vale a dire sostenere il pezzo con le mani piuttosto che appoggiarlo sul piano), tranne durante la lucidatura o la levigatura.
 - Prima di azionare il trapano, bloccare saldamente il blocco di foratura e il supporto alla colonna, il braccio del piano al supporto e il piano al braccio del piano.
 - Non muovere il blocco di foratura o il piano mentre l'utensile è in funzione.
 - Prima di avviare l'operazione, spostare l'interruttore del motore per assicurarsi che il trapano o altro utensile da taglio non ondeggi o causi vibrazioni.
 - Se un pezzo da lavorare sovrasta il piano in modo tale che cade o si capovolge se non sostenuto, fissarlo saldamente al piano o fornire supporto aggiuntivo.
 - Utilizzare dispositivi per le operazioni inusuali per fornire adeguato sostegno, guida e posizionamento del pezzo.
 - Utilizzare la velocità dell'alberino consigliata per l'operazione e il materiale specifico. Controllare il pannello sul coperchio interno della puleggia o consultare la sezione "Velocità di foratura consigliata" per informazioni sulla velocità di foratura. Per informazioni sugli accessori, fare riferimento alle istruzioni fornite con ogni accessorio.
4. Non salire sul piano, in caso contrario il piano potrebbe rompersi o ribaltarsi.
 5. Ruotare l'alimentazione su "OFF" quando si arresta il prodotto.
 6. Per evitare lesioni causato dall'eiezione del pezzo o dal contatto dell'utensile, non eseguire il layout, il montaggio o la disinstallazione sul piano mentre l'utensile da taglio è in rotazione.

POSIZIONAMENTO DEL PIANO E DEL PEZZO DA LAVORARE

Vedere la figura 29-30.

1. Bloccare il piano alla colonna ad una posizione tale che la punta del trapano si trovi appena sopra la parte superiore del pezzo.
2. Posizionare sempre un materiale di supporto (legno di scarto) sul piano sotto il pezzo. Ciò impedirà scheggiature o bavature sul lato inferiore del pezzo. Per impedire al materiale di sostegno di slittare, tale materiale deve essere posizionato contro il lato sinistro della colonna.
3. Utilizzare i mezzi di supporto appropriati per pezzi di



lavoro sporgenti.

⚠ AVVERTENZE

Per impedire che l'eiezione del pezzo o materiale di sostegno durante la perforazione, posizionare il pezzo contro il lato sinistro della colonna. Se il pezzo o il materiale di sostegno non è abbastanza lungo per raggiungere la colonna, fissarlo al piano per rinforzare il pezzo. La mancata osservanza di questa avvertenza può causare lesioni personali.

⚠ AVVERTENZE

Fissare o serrare un morsetto per trapano al piano per evitare lesioni causate dallo slittamento del pezzo, nonché danni al morsetto e alle punte.

SOSTEGNO DI UNA POSIZIONE DI FORATURA

1. Utilizzando un punzone centrale o un chiodo tagliente, segnare un punto nel pezzo in cui si desidera eseguire il foro.
2. Accendere il laser e allineare i raggi laser (x) con il rientro prima di accendere il trapano su ON.

INCLINAZIONE DEL PIANO

Vedere la figura 31.

NOTE: Il supporto da tavolo presenta un foro preforato con un perno di bloccaggio inserito per bloccare il piano in un angolo di inclinato di 0° preforato.

1. Serrare il dado sul perno di bloccaggio servendosi di una chiave da 10 mm o regolabile in senso orario per rilasciare il perno dal supporto del piano. Il perno servirà quando si posiziona il piano alla sua impostazione di 0 gradi dal supporto del piano.
2. Allentare il grande bullone esagonale di bloccaggio dell'inclinazione del piano utilizzando una chiave da 17 mm o una chiave inglese.

⚠ AVVERTENZE

Per evitare lesioni, assicurarsi di sostenere il piano e il braccio del piano in modo da non farlo ruotare o inclinare.

3. Inclinare il tavolo, allineando la misurazione dell'angolo desiderato alla linea dello zero opposta della scala.
4. Serrare il bullone di bloccaggio dell'inclinazione del piano.
5. Per riportare il piano alla sua posizione originale, allentare il bullone di bloccaggio dell'inclinazione del piano. Riportare il tavolo in posizione a 0°.
6. Riportare il dado sul perno di bloccaggio fino all'estremità esterna dei filetti. Toccare delicatamente il perno di bloccaggio fino a quando non si innesta nel foro di accoppiamento della staffa del piano. Serrare manualmente il dado.

⚠ AVVERTENZE

Per evitare lesioni causate dallo scivolamento del pezzo o la rottura dell'utensile, serrare saldamente il pezzo e il materiale di sostegno al piano prima di utilizzare il trapano a colonna.

DISCESA DEL PEZZO

1. Tirare verso il basso le impugnature della manovella di discesa con un sforzo sufficiente per consentire al trapano di tagliare.
2. La discesa troppo lenta potrebbe causare il surriscaldamento della punta. La discesa troppo rapida potrebbe causare scivolamenti della cinghia o della punta, rotture del pezzo o della punta.
3. Durante la foratura di un metallo, lubrificare la punta con olio per impedire il surriscaldamento del pezzo e della punta.

MANUTENZIONE

⚠ AVVERTENZE

Per la propria sicurezza, ruotare l'interruttore su OFF e scollegare la spina dalla presa di corrente prima di eseguire operazioni di manutenzione o lubrificare il trapano a colonna.

Rimuovere regolarmente la polvere o particelle di metallo eventualmente accumulate sul motore, nell'alloggiamento del motore, sul piano o sulla superficie di lavoro, utilizzando un compressore o un aspirapolvere. Indossare sempre occhiali di sicurezza mentre si mette in funzione l'utensile.

⚠ AVVERTENZE

Per evitare il pericolo di scosse elettriche o incendi, se il cavo di alimentazione è usurato o tagliato, farlo sostituire immediatamente da un elettricista o un servizio tecnico qualificato.

LUBRIFICAZIONE

Tutti i cuscinetti a sfera sono oliati in fabbrica. Non necessitano di ulteriore lubrificazione.

Lubrificare regolarmente le vite senza fine e la cremagliera, in modo tale da rendere ottimale il movimento verticale ed aumentare la vita utile del trapano a colonna. Abbassare l'alberino verso il basso e applicare una quantità moderata di olio sul manicotto dell'alberino ogni tre mesi.

TRASPORTO E RIPONIMENTO

Vedere la figura 32.

Quando si trasporta il prodotto, scollegare il cavo di corrente e assicurarsi che tutti i pezzi siano correttamente fissati. Fare riferimento alla Fig. 32 per le

aree di presa quando si solleva il prodotto.

Riporre il prodotto in un luogo sicuro non accessibile ai bambini.

Pulire il prodotto con una spazzola e un aspirapolvere prima di riporlo.

SIMBOLO



Indicazioni sicurezza



Marchio di conformità europeo



Marchio di conformità britannico



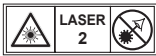
Marchio di conformità ucraino



Marchio di conformità EurAsian



Leggere attentamente le istruzioni prima di utilizzare il prodotto.



Radiazioni laser.
Non fissare il raggio.
Prodotto al laser di Classe 2



Non esporre a pioggia né utilizzare in ambienti umidi.



Indossare cuffie di protezione



Indossare sempre occhiali di protezione.



Capacità mandrino



Corsa albero



Allineamento per la foratura



Diametro della punta del trapano (pollici)



Legno



Alluminio
Zinco
Ottone



Ferro
Acciaio

Non smaltire i dispositivi elettrici ed elettronici come normali rifiuti. I dispositivi elettrici ed elettronici dovranno essere raccolti separatamente. Le fonti luminose non più utilizzabili dovranno essere rimosse dall'apparecchiatura. Consultare l'autorità locale o il rivenditore per consigli sullo smaltimento e il punto di raccolta. In base alle normative locali i rivenditori potrebbero avere l'obbligo di riprendersi gratuitamente le apparecchiature elettriche ed elettroniche. Il vostro contributo al riciclaggio delle apparecchiature elettriche ed elettroniche aiuta a ridurre la richiesta di materie prime. Le apparecchiature elettriche ed elettroniche di scarto contengono materiali preziosi e riciclabili che potrebbero avere un impatto avverso sull'ambiente e la salute umana, se non smaltiti in un modo ecocompatibile. Eliminare i dati personali, se presenti, dalle apparecchiature da buttare.



RISOLUZIONE DEI PROBLEMI

Problema	Posibile causa	Solución
Funzionamento rumoroso.	<ol style="list-style-type: none"> 1. La tensione della cinghia non è adeguata. 2. L'alberino non è lubrificato. 3. La puleggia dell'albero o quella del motore è serrata in modo errato. 4. La puleggia del motore non è serrata in modo adeguato. 	<ol style="list-style-type: none"> 1. Regolare la tensione. Vedere la sezione "Tensione della cinghia". 2. Lubrificare l'albero. Vedere la sezione "Lubrificazione". 3. Controllare il serraggio del dado di fissaggio sulla puleggia e serrare se necessario. 4. Serrare la vite di fermo nella puleggia del motore.
La punta brucia.	<ol style="list-style-type: none"> 1. La velocità non è adeguata. 2. I trucioli non sono fuoriusciti dal foro. 3. La punta è smussata. 4. La discesa è troppo lenta. 5. La punta non è stata lubrificata. 	<ol style="list-style-type: none"> 1. Modificare la velocità. Vedere la sezione "Regolazione delle velocità e sostituzione della cinghia". 2. Estrarre regolarmente la punta per fare uscire i trucioli. 3. Affilare o sostituire la punta. 4. La discesa deve essere più rapida per consentire alla punta di lavorare meglio. 5. Lubrificare la punta. Vedere la sezione "Discesa".
Assenza di punte o foro non rotondo.	<ol style="list-style-type: none"> 1. La grana del legno o le lunghezze dei percorsi di taglio e/o gli angoli non corrispondono. 2. La punta è piegata. 	<ol style="list-style-type: none"> 1. Riaffilare la punta in modo corretto. 2. Sostituire la punta.
Schegge di legno sul lato inferiore.	<ol style="list-style-type: none"> 1. Nessun materiale di sostegno dietro il pezzo da lavorare. 	<ol style="list-style-type: none"> 1. Usare materiale di sostegno. Vedere la sezione "Funzionamento".
Il pezzo viene strappato dalle mani.	<ol style="list-style-type: none"> 1. Il pezzo da lavorare non è sostenuto o fissato correttamente. 	<ol style="list-style-type: none"> 1. Sostenere il pezzo da lavorare o bloccarlo con una morsa. Vedere la sezione "Funzionamento".
Le punte si incastrano nel pezzo da lavorare.	<ol style="list-style-type: none"> 1. Il pezzo da lavorare blocca la punta o la pressione di discesa è eccessiva. 2. Tensione della cinghia non adeguata. 	<ol style="list-style-type: none"> 1. Sostenere il pezzo da lavorare o bloccarlo con una morsa. Vedere la sezione "Funzionamento". 2. Regolare la tensione. Vedere la sezione "Tensione della cinghia".
Oscillazione eccessiva della punta.	<ol style="list-style-type: none"> 1. La punta è piegata. 2. I cuscinetti sono usurati. 3. La punta non è installata correttamente nel mandrino. 4. Il mandrino non è installato correttamente. 	<ol style="list-style-type: none"> 1. Utilizzare una punta dritta. 2. Sustituya los cojinetes. 3. Installare correttamente il trapano. Vedere la sezione "Funzionamento" e "Montaggio e regolazioni". 4. Installare correttamente il mandrino. Vedere la sezione "Installazione del mandrino".
Il manicotto ritorna troppo lentamente o velocemente.	<ol style="list-style-type: none"> 1. La tensione della molla della bobina non è adeguata. 	<ol style="list-style-type: none"> 1. Regolare la tensione della molla. Vedere la sezione "Molla di ritorno del manicotto".
Il manicotto non si collega all'alberino. Cade durante il tentativo di installazione.	<ol style="list-style-type: none"> 1. Sporco, grasso o olio sulla superficie interna filettata del mandrino o sulla superficie filettata dell'alberino. 	<ol style="list-style-type: none"> 1. Pulire la superficie filettata del mandrino e l'alberino con un detergente non a base di alcool per rimuovere completamente sporco, grasso e olio. Vedere la sezione "Installazione del mandrino".

BESCHRIJVING

1. Machinekop
2. Tafel
3. Voetplaat
4. Rek
5. Kolom
6. Rekring
7. Invoerhandgrepen
8. Wormwiel
9. Vergrendelingshandgreep voor de tafel
10. Zwengel voor de tafel
11. Zeskantbouten
12. Boorhouder
13. Boorkopsleutel
14. 4 mm inbussleutel
15. 3 mm inbussleutel
16. Sleufschroevendraaier
17. Afstelbare sleutel
18. 12 mm sleutel
19. Rubberen hamer
20. Combinatieschrijfhaak
21. Blok hout
22. Motor
23. Laserkop
24. Terugtrekspiraal/-veer
25. Tafelbeugel
26. Katrolkap
27. Aan-/uitschakelaar
28. Laserschakelaar
29. Bovenste beveiligingskap
30. Montageopening
31. Borgschroef van de kop
32. Vergrendelknop voor de riemspanning
33. Houder voor de boorkopsleutel
34. Spilpoelie
35. Motorpoelie
36. Tafelsteun
37. Gat voor de zwengel van de tafel
38. Kolomsteun
39. Stelschroef
40. Kop
41. Stelschroef van de kopvergrendeling
42. Schroefgaten
43. Naaf
44. As
45. Bout x 2 (M12, niet inbegrepen)
46. Borgring x 4 (Dia. 12mm, niet inbegrepen)
47. Rubberen ring x 2 (Dia. 12mm, niet inbegrepen)
48. Platte ring x 2 (Dia. 12mm, niet inbegrepen)
49. Tegenmoer x 2 (M12, niet inbegrepen)
50. Zeskantmoer x 2 (M12, niet inbegrepen)
51. Werkoppervlak
52. Afschuinschaalverdeling
53. Vergrendelbout tafelkanteling
54. Moer
55. Borgmoer
56. Schroeven
57. Inkeping voorkant onderzijde
58. Veerdop
59. Buitenste tegenmoer
60. Binnenste moer
61. Inkeping
62. Naaf
63. Boorhouderklemmen
64. Boorstift
65. Diepte
66. Wijzer diepteschaal
67. Schaalverdeling
68. Bovenste moer
69. Onderste moer
70. Dieptestopschoen
71. Werkstuk

Bij het ontwerp van uw kolomboor hebben veiligheid, prestaties en betrouwbaarheid de hoogste prioriteit gekregen.

BEOOGD GEBRUIK

De kolomboor is bedoeld voor het boren van gaten in hout, kunststof, aluminium en staal.

Het product is bedoeld voor gebruik door volwassenen die de handleiding hebben gelezen en de risico's en gevaren begrijpen.

Het product is ontworpen op bij de voetplaat te worden bevestigd aan een massief werkblad. Als de voetplaat niet goed is bevestigd, heeft de hele machine de neiging om te kantelen, schuiven of te lopen op het steunvlak tijdens werkzaamheden, wat de kans op ernstig lichamenlijk letsel verhoogt.

Het product moet worden gebruikt in droge omstandigheden, met uitstekend omgevingslicht en voldoende ventilatie.

Het product is bedoeld voor doe-het-zelf gebruik en mag uitsluitend zoals hierboven beschreven en dus niet voor andere doeleinden worden gebruikt.

ALGEMENE VEILIGHEIDSVOORSCHRIFTEN

⚠ WAARSCHUWING

Lees aandachtig alle waarschuwingen, aanwijzingen en specificaties die bij deze machine worden meegeleverd en bestudeer de afbeeldingen. Als u onderstaande voorschriften niet opvolgt, kan dit leiden tot ongelukken zoals brand, elektrische schokken en/of ernstig lichamenlijk letsel.

Bewaar alle waarschuwingen en instructies voor toekomstig gebruik. De term "elektrisch gereedschap" in de waarschuwingen heeft betrekking op uw elektrische gereedschap dat wordt aangedreven door een stroomvoorziening (via een kabel) of gereedschap dat werkt op een accu (snoerloos).

WERKPLEKVEILIGHEID

- **Houd de werkplaats schoon en goed verlicht.** Rommelige of donkere plaatsen nodigen uit tot ongevallen.
- **Gebruik gereedschapswerktuigen niet in explosieve atmosferen, zoals in de aanwezigheid van ontvlambare vloeistoffen, gassen of stof.** Werktuigen kunnen vonken veroorzaken die stof of gassen kunnen ontsteken.
- **Houd kinderen en omstanders weg terwijl u het werktuig gebruikt.** Wanneer u wordt afgeleid kunt u de controle verliezen.

ELEKTRISCHE VEILIGHEID

- **Werktuigstekkers moeten overeenkomen met de contactdoos. Wijzig de stekker nooit. Gebruik geen adapterstekkers met geaarde werktuigen.** Ongevoegzame stekkers en overeenkomstige

contactdozen zullen het risico op elektrische schok verminderen.

- **Vermijd lichaamscontact met geaarde oppervlakken, zoals buizen, radiatoren, fornuizen en koelkasten.** Er bestaat een verhoogd risico op elektrische schokken als uw lichaam geaard is.
- **Stel gereedschapswerktuigen niet bloot aan regen of natte omstandigheden.** Wanneer water een gereedschapswerktuig binnenkomt zal het risico op een elektrische schok toenemen.
- **Misbruik het snoer niet. Gebruik het snoer nooit om het werktuig te dragen of de stekker uit het stopcontact te trekken. Houd het snoer weg van hitte, olie, scherpe randen en bewegende delen.** Beschadigde of verstrikte snoeren verhogen het risico op elektrische schokken.
- **Wanneer u een werktuig buitenshuis gebruikt, gebruikt u een verlengsnoer dat geschikt is voor buitenshuis gebruik.** Gebruik een snoer dat geschikt is voor buitenshuis gebruik, wat het risico op elektrische schok vermindert.
- **Als het noodzakelijk is dat een werktuig in een vochtige omgeving wordt gebruikt, gebruikt u een stroomtoevoer met aardlekschakelaar.** Het gebruik van een aardlekschakelaar vermindert het risico op elektrische schok.

PERSOONLIJKE VEILIGHEID

- **Blijf alert, kijk naar wat u doet en gebruik uw gezond verstand wanneer u een werktuig bedient. Gebruik het werktuig niet als u moe bent of onder de invloed bent van drugs, alcohol of medicijnen.** Een ogenblik van onoplettendheid terwijl u gereedschapswerktuigen gebruikt, kan leiden tot ernstige persoonlijke letsels.
- **Draag persoonlijke beschermingsmiddelen. Draag altijd gezichtsbescherming.** Gebruik van beschermingsmiddelen zoals een stofmasker, anti-slip veiligheidsschoenen, veiligheidshelm of gehoorbescherming leidt tot minder persoonlijk letsel.
- **Vermijd ongewild starten. Schakel de schakelaar uit voordat u het product aansluit op de voeding en/of accu, oppakt of draagt.** Het dragen van elektrische apparatuur met uw vinger op de schakelaar of het onder spanning zetten van elektrisch apparatuur met ingeschakelde schakelaar leidt tot ongevallen.
- **Verwijder alle afstel sleutels voor u het werktuig inschakelt.** Een sleutel die op een ronddraaiend onderdeel van het werktuig achterblijft, kan leiden tot lichamenlijke letsels.
- **Overrek u niet. Houd steeds een goed evenwicht en sta stevig met beide voeten op de grond.** Dit geeft u een betere controle over het werktuig in overwachte omstandigheden.
- **Draag aangepaste kleding. Draag geen losse kledij of juwelen. Houd uw haar en kleding uit de buurt van bewegende delen.** Losse kledij, juwelen of lang haar kan in bewegende delen vaststraken.



- Als er apparatuur wordt meegeleverd voor het aansluiten van stofafzuiging, dient u ervoor te zorgen dat deze op de juiste wijze wordt aangesloten en gebruikt. Het gebruik van stofafzuiging leidt tot minder stofgerelateerde risico's.
- Voorkom dat u door het frequent gebruik van gereedschappen laks wordt en de veiligheidsvoorschriften uit het oog verliest. Een zorgeloze handeling kan binnen een fractie van een seconde ernstig letsel veroorzaken.

GEBRUIK EN ONDERHOUD VAN EEN ELEKTRISCH WERKTUIG

- **Forceer de machine niet.** Gebruik het juiste product voor uw toepassing. Het correcte product zal de taak beter en veiliger uitvoeren aan het tempo waarvoor het is ontworpen.
- **Gebruik het werktuig niet als de schakelaar het werktuig niet in- of uitschakelt.** Een werktuig dat niet met de schakelaar kan worden bediend, is gevaarlijk en moet worden gerepareerd.
- **Haal de stekker uit de stroombron en/of verwijder de accu, indien deze afneembaar is, uit het elektrische gereedschap voordat u wijzigingen aanbrengt, accessoires wijzigt of het elektrische gereedschap opbergt.** Dergelijke preventieve veiligheidsmaatregelen verminderen het risico dat het product per ongeluk wordt ingeschakeld.
- **Bewaar niet-gebruikte werktuigen buiten het bereik van kinderen en laat personen die niet vertrouwd zijn met het werktuig of deze instructies, het werktuig niet gebruiken.** Werktuigen zijn gevaarlijk in de handen van niet-opgeleide gebruikers.
- **Elektrisch gereedschap en accessoires moeten worden onderhouden.** Controleer op foutieve aflijning of binding van bewegende delen, defecten van onderdelen en alle andere omstandigheden die de werking van het werktuig kunnen beïnvloeden. Indien beschadigd, laat u het werktuig onderhouden voor u het gebruikt. Veel ongevallen worden veroorzaakt door slecht onderhouden werktuigen.
- **Snijgereedschap moet scherp en schoon worden gehouden.** Goed onderhouden snijgereedschap met scherpe snijranden zal minder snel vastlopen en is gemakkelijker te beheersen.
- **Gebruik het product, de accessoires, bitjes, enz., in overeenstemming met deze instructies, en houd rekening met de werkomstandigheden en de uit te voeren werkzaamheden.** Het gebruik van het werktuig voor niet-voorgeschreven gebruik kan leiden tot gevaarlijke situaties.
- **Handvatten en grijpvlakken moeten droog, schoon en vrij van vet en olie worden gehouden.** Als handvatten en grijpvlakken glibberig zijn, kan het gereedschap in onverwachte situaties niet veilig worden gebruikt en beheerst.

ONDERHOUD

- Laat uw werktuig door een gekwalificeerde reparateur onderhouden en gebruik uitsluitend identieke vervangonderdelen. Dit zal ervoor zorgen dat de veiligheid van het gereedschap wordt bewaard.

VEILIGHEIDSWAARSCHUWINGEN VOOR DE KOLOMBOOR

- **De boor moet vastgezet worden.** Een boor die niet goed vastgezet is, kan zich verplaatsen of omvallen en verwondingen veroorzaken.
- **Het werkstuk moet vastgeklemd of vastgemaakt worden aan het werkoppervlak. Boor geen stukken die te klein zijn om stevig vastgeklemd te worden.** Als u het werkstuk met de hand vasthoudt tijdens het werk, kunt u verwondingen oplopen.
- **Draag geen handschoenen.** Handschoenen kunnen vastraken in de draaiende onderdelen of aan spanen, wat tot verwondingen kan leiden.
- **Houd uw handen uit de buurt van het werkgebied wanneer het gereedschap draait.** Contact met draaiende onderdelen of spanen kan verwondingen veroorzaken.
- **Wacht tot de accessoire draait voordat u deze in het werkstuk steekt.** Anders kan de accessoire vastraken in het werkstuk, waardoor het werkstuk onverwachte bewegingen kan maken en verwondingen kan veroorzaken.
- **Als de accessoire vastraakt, stop dan met druk uitoefenen op de boor en schakel het gereedschap uit.** Onderzoek waarom het accessoire vastgeraakt is en neem maatregelen om dit te verhelpen. Door vastraken kan het werkstuk onverwachte bewegingen maken en verwondingen veroorzaken.
- **Zorg ervoor dat u geen lange spanen creëert door de druk op de boor regelmatig los te laten.** Scherpe metaalspanen kunnen verwondingen veroorzaken.
- **Verwijder nooit spanen van het werkgebied wanneer het apparaat draait. Als u de spanen wilt verwijderen, haal de accessoire dan uit het werkstuk, schakel het gereedschap uit en wacht totdat de accessoire stopt met draaien.** Gebruik gereedschap, zoals een borstel of haak, om de spanen te verwijderen. Contact met draaiende onderdelen of loszittende stukken kan verwondingen veroorzaken.
- **Accessoires met snelheidsmarkeringen moeten ten minste een gelijke markering hebben als de maximale snelheid die aangegeven staat op het gereedschap.** Als accessoires op een snelheid werken die hoger is dan hun nominale snelheid, kunnen ze breken of worden weggeslingerd.
- **Houd boren schoon en scherp.** Scherpe boren minimaliseren blokkeringen. Vieze en stompe boren veroorzaken misuittlijning van het materiaal en mogelijk letsel voor de gebruiker.



- **Houd uw handen uit de buurt van het werkgebied.** Houd uw handen uit de buurt van de boor. Bind losse kleding, sieraden, lang haar, etc. vast zodat het niet in de boor verstrikt raakt.
- **Het werkstuk altijd vastklemmen of tegen de kolom duwen om rotatie te voorkomen.** Gebruik nooit uw hand om het voorwerp vast te houden tijdens het boren.
- **Gebruik de aanbevolen snelheid voor het de booraccessoire en materiaal van het werkstuk.**
- **Controleer dat de boor of het snijgereedschap stevig in de boorkop is vastgezet.**
- **Controleer of de boorkopsleutel van de boorkop is verwijderd voordat u de stekker in het stopcontact steekt of het apparaat aanzet.**
- **Pas de tafel of de dieptestop aan om boren in de tafel te voorkomen.** Schakel de stroom uit, verwijder de boor en reinig de tafel voordat u de machine achterlaat.
- **Vermijd rechtstreeks oogcontact wanneer u de lasergeleider gebruikt.**
- **Zorg er altijd voor dat de laserstraal is gericht op een oppervlak zonder reflecterende eigenschappen.** Glanzende reflecterende materialen zijn niet geschikt voor lasergebruik.
- **Plaats nooit uw vingers in een positie waar ze in contact kunnen komen met de boor of een ander snijgereedschap wanneer het werkstuk onverwachts verschuift.**
- **Voer nooit een bewerking uit door de kop of de tafel ten opzichte van elkaar te bewegen.** Zet nooit de motorschakelaar aan of start nooit een bewerking voordat u controleert dat de kop en de vergrendelhandgreep van de tafelsteun zijn vastgeklemd aan de kolom en dat de kop en tafelsteunkragen goed zijn geplaatst.
- **Voordat u de stroomschakelaar aanzet moet u ervoor zorgen van de riembeschermkap naar beneden is en dat de boorkop goed is geïnstalleerd.**
- **Zet de motorschakelaar uit voordat u het product achterlaat.** Voer geen lay-out-, montage- of aanpassingswerkzaamheden uit op de tafel als het snijgereedschap draait, is ingeschakeld of is verbonden aan een stroombron.
- **Als het stroomsnoer beschadigd is, mag deze uitsluitend worden vervangen door de fabrikant of door een geautoriseerd onderhoudscentrum om risico te voorkomen.**
- **Berg niet-gebruikte werktuigen op.** Wanneer u het gereedschap niet gebruikt, moeten deze op een droge, afgesloten plaats worden bewaard, buiten het bereik van kinderen.
- Wij raden u aan het apparaat altijd van stroom te voorzien via een aardlekschakelaar met een gemeten reststroom van 30 mA of minder.
- **Bewaar deze instructies.** Raadpleeg ze regelmatig en gebruik dit om anderen te instrueren. Als u dit werktuig aan iemand uitleent, leen hem dan deze

instructies ook uit.

LASERVEILIGHEID

- De laserstraling die in het product wordt gebruikt is Klasse 2 met een maximum van 1 mW en een golflengte van 650 nm. Staar niet rechtstreeks in de laserstraal. Het niet voldoen aan de regels kan ernstig persoonlijk letsel tot gevolg hebben.
- Staar niet in de laserstraal tijdens de werking.
- Projecteer de laserstraal niet rechtstreeks in de ogen van anderen. Ernstige oogletsels kunnen ontstaan.
- Plaats de laser niet in een positie die ertoe kan leiden dat iemand per ongeluk of opzettelijk in de laserstraal kijkt.
- Gebruik geen optische hulpmiddelen om de laserstraal te zien.
- Gebruik de laser niet in de buurt van kinderen en laat kinderen de laser niet bedienen.
- Probeer reparaties aan de laser niet zelf uit te voeren.
- Probeer nooit onderdelen van het lasertoestel zelf te vervangen.
- Alle reparaties mogen uitsluitend door de laserfabrikant of een geautoriseerde onderhoudsagent worden uitgevoerd.
- Vervang de laser niet door een ander type.

RESTRISCO'S

Zelfs wanneer het product zoals voorgeschreven wordt gebruikt, blijft het onmogelijk om alle restrisco's te voorkomen. De gebruiker moet vooral extra op deze punten letten om het risico op ernstig letsel te verminderen.

- Beschadiging aan het gehoor – Draag gehoorbescherming om blootstelling aan lawaai te beperken.
- Gezichtsbescherming – Draag een veiligheidsbril wanneer u het product gebruikt.
- Letsel veroorzaakt door trillingen - Zorg ervoor dat u niet teveel aan trillingen wordt blootgesteld en volg de instructies over het verminderen van risico in deze handleiding.
- Letsels aan de luchtwegen ten gevolge van stof dat door de werking van het product wordt ingeademd. – Draag geschikte bescherming afhankelijk van het type stof.

⚠ WAARSCHUWING

Bepaalde soorten stof veroorzaakt door schuren, zagen, slijpen, boren of andere bouwactiviteiten bevatten chemische stoffen die kankerverwekkend kunnen zijn en afwijkingen bij de geboorte of vruchtbaarheidsproblemen kunnen veroorzaken. Voorbeelden van dit soort chemische stoffen zijn:

- lood, in verfproducten op loodbasis,
- gekristalliseerd silicium, dat voorkomt in bepaalde soorten cement, bakstenen en andere metselwerkproducten,
- arsenicum en chroom die te vinden zijn in bepaalde chemisch behandelde houtproducten.

De aan deze producten verbonden gevaren hangen af van hoe vaak er mee wordt gewerkt. Om blootstelling aan dergelijke chemische stoffen te beperken, dient u in een goed geventileerde ruimte te werken en te zijn uitgerust met goedgekeurde beschermingsmiddelen, zoals stofmaskers die speciaal ontworpen zijn om microscopisch kleine deeltjes te filteren.

ELEKTRISCH

Gebruik uitsluitend 3-aderige verlengsnoeren met een 3-polige geaarde stekker en 3-polige contactdozen die het stopcontact van het product aanvaarden. Wanneer u gereedschap gebruikt dat zich op afzienbare afstand van de stroombron bevindt, gebruik dan een verlengsnoer dat zwaar genoeg is om de stroom die het product zal afnemen, te dragen. Een te licht verlengsnoer zal een terugval in de lijnspanning veroorzaken, wat zal leiden tot vermogensverlies, waardoor de motor zal oververhitten.

Voordat u een verlengsnoer gebuikt moet u het controleren op losse of blootliggende draden en kapotte of versleten isolatie.

⚠ WAARSCHUWING

Houd het verlengsnoer weg van de werkplaats. Plaats het snoer zodanig dat het niet kan vastraken aan hout, werktuigen of andere obstructies wanneer u met een elektrisch werktuig werkt. Niet-naleving van dit voorschrift kan ernstig lichamelijk letsel veroorzaken.

⚠ WAARSCHUWING

Controleer verlengsnoeren voor elk gebruik. Vervang onmiddellijk indien beschadigd. Gebruik nooit een werktuig met een beschadigd snoer, aangezien het aanraken van het beschadigde deel kan leiden tot een elektrische schok, wat ernstige letsels kan veroorzaken.

ELEKTRISCHE VERBINDING

Dit product wordt aangedreven door een precisie gebouwde elektrische motor. Het moet worden verbonden met een stroomtoevoer van 220~240V, uitsluitend AC (normale huishoudstroom), 50 Hz. Gebruik dit product niet op gelijkstroom (DC). Een belangrijke spanningsval zal leiden tot vermogensverlies en de motor zal oververhitten. Als het product niet werkt wanneer het met een wandcontactdoos is verbonden, controleert u de stroomvoorziening opnieuw.

SNELHEID EN BEKABELING

Deze snelheid is niet constant en vermindert onder een lading of bij lagere spanning. Voor spanning, de bekabeling in een winkel is net zo belangrijk als de nominale paardenkracht van een motor. Een snoer dat uitsluitend geschikt is voor lampen kan onmogelijk de motor van elektrisch gereedschap dragen. Een snoer dat zwaar genoeg is voor een korte afstand zal te licht zijn voor een grote afstand. Een snoer dat één gereedschapswerktuig kan ondersteunen is misschien niet in staat om twee of drie gereedschapswerktuigen te ondersteunen.

AARDINGSINSTRUCTIES

Als er zich een defect of panne voordoet, dan zorgt de aarding ervoor dat er minder weerstand is voor de elektrische stroom, waardoor het risico op een elektrische schok vermindert. Dit product is uitgerust met een elektrisch snoer dat voorzien is van een massakabel voor apparaten en een aardstekker. De stekker moet met een overeenkomstige wandcontactdoos worden verbonden die correct is geïnstalleerd en geaard in overeenstemming met de plaatselijke voorschriften en regels.

Breng geen wijzigingen aan de meegeleverde stekker aan. Als deze niet in de wandcontactdoos past, laat dan de correcte wandcontactdoos door een gekwalificeerde elektrotechnicus installeren. Onjuiste aansluiting van de aardingsdraad kan leiden tot gevaar op elektrische schokken. De geïsoleerde draad met een buitenoppervlak dat groen is met of zonder gele strepen is de aardingsdraad. Als reparatie of vervanging van het elektrische snoer nodig is, mag u de aardingsdraad niet aansluiten op een contactpunt dat onder spanning staat. Herstel of vervang een beschadigd of versleten snoer onmiddellijk.

AANBEVOLEN ACCESSOIRES

⚠ WAARSCHUWING

Gebruik uitsluitend accessoires die zijn bedoeld voor dit product.

Volg de instructies die bij de accessoires worden geleverd. Het gebruik van verkeerde accessoires kan gevaar opleveren.

- Boorstift
- Vasthoudklemmen
- Kolomboor-schroefklemmen

⚠ WAARSCHUWING

Gebruik uitsluitend accessoires die zijn ontworpen voor dit product, om letsel vanwege kapotte onderdelen of werkstukken te voorkomen.

Gebruik geen accessoires tenzij u de instructie of de gebruiksaanwijzing voor dat accessoire volledig hebt gelezen.

INHOUD VAN DE DOOS

UITPAKKEN EN CONTROLEREN VAN DE INHOUD

⚠ WAARSCHUWING

Als er een onderdeel ontbreekt of is beschadigd, mag u het product niet op het elektriciteitsnet aansluiten totdat het ontbrekende of beschadigde onderdeel is vervangen en de montage is voltooid.

Pak het product en alle onderdelen voorzichtig uit en vergelijk het met de onderstaande lijst.

Om het product te beschermen tegen vocht is een beschermende coating aangebracht op de bewerkte oppervlakken. Verwijder deze coating met een zachte doek die is bevochtigd met kerosine of WD-40.

⚠ WAARSCHUWING

Om brand of een toxische reactie te voorkomen mag u nooit benzine, nafta, aceton, verfverdunder of soortgelijke vluchtige oplosmiddelen gebruiken om het product te reinigen.

Breng een laagje wax aan op de tafel, kolom en bewerkte oppervlakken van de voetplaat om roestvorming te voorkomen. Veeg alle onderdelen zorgvuldig af met een schone, droge doek.

Item	Beschrijving	Aantal
1	Machinekop	1
2	Tafel	1

3	Voetplaat	1
4	Rek	1
5	Kolom	1
6	Rekring	1
7	Invoerhandgrepen	3
8	Wormwiel	1
9	Vergrendelingshandgreep voor de tafel	1
10	Zwengel voor de tafel	1
11	Zeskantbouten	3
12	Boorhouder	1
13	Boorkopsleutel	1
14	4 mm inbussleutel	1
15	3 mm inbussleutel	1

MONTAGE EN AANPASSINGEN

⚠ WAARSCHUWING

Voor uw eigen veiligheid mag u het apparaat nooit aansluiten op een stopcontact totdat alle montageschappen zijn voltooid en u de veiligheids- en bedieningsinstructies hebt gelezen en begrepen.

⚠ WAARSCHUWING

Het product is een zwaar gereedschap en moet met twee of meer mensen worden getild om het veilig te kunnen monteren.

DE KOLOM OP DE VOETPLAAT MONTEREN

Zie afbeelding 5.

1. Plaats de voetplaat op een vlak, stabiel oppervlak.
2. Lijn de schroefgaten in de kolom uit met de schroefgaten in de voetplaat.
3. Plaats in elk gat een zeskantbout.
4. Maak elke zeskantbout vast met behulp van een verstelbare moersleutel.

DE KOLOM AAN DE TAFEL BEVESTIGEN

Zie figuren 6 - 10.

1. Steek de vergrendelhandgreep van de tafelbeugel in het schroefgat aan de achterzijde van de tafelbeugel.
OPMERKING: Installeer de handgreep van links naar rechts zodat het eerst door de zijde van de tafelbeugel gaat.
2. Voer het wormwiel door het gat voor de tafelzwengel in de tafelbeugel. Zorg ervoor dat het wormwiel ingrijpt met het binnenwiel.
OPMERKING: Nooit de smering van het wormwiel verwijderen.



- Voer het rek door de sleuf in de tafelbeugel zodat de tanden naar buiten zijn gericht en het langere gladde einde naar boven is gericht. Het wormwiel moet het rek aangrijpen.
- Gebruik beide handen om de hele tafel en het rek op de kolom te schuiven totdat de onderzijde van het rek in de onderstelkraag en tegen de kolom is geplaatst.
- Maak de vergrendelhandgreep van de tafelbeugel vast zodat het de tafel tegen de kolom vastzet.
OPMERKING: Niet te strak aanspannen.
- Schuif de rekring met de schuine kant omlaag, over de kolom totdat de afgeschuinde kant aangrijpt met het schuine einde van het rek.
- Draai de stelschroef in de kraag aan met behulp van de inbussleutel. Om schade aan de kolom of kraag te voorkomen mag u de stelschroef niet te hard aandraaien.
OPMERKING: U moet de tafel van de ene zijde naar de andere kunnen verplaatsen.
- Plaats de zwenkgreep over het uiteinde van het wormwiel zodat de platte zijde van de as uitlijnt met de stelschroef.
- Draai de stelschroef aan met behulp van de inbussleutel.

DE KOP MONTEREN

Zie afbeelding 11.

⚠ WAARSCHUWING

De machinekop is zwaar en met twee mensen worden getild om de machinekop op de kolom te monteren.

- Plaats de kop op de kolom met de boorkop boven de tafel.
OPMERKING: Het product is zwaar. Vraag indien nodig om hulp.
- Schuif de kop zo ver mogelijk naar beneden. Lijn de tafel uit met de voetplaat en maak de twee kopstelschroeven vast met de inbussleutel.

DE INVOERHANDGREPEN MONTEREN

Zie afbeelding 12.

- Bevestig de drie invoerhandgrepen door ze in de schroefgaten in de naaf te schroeven.

DE BOORKOP MONTEREN

Zie figuren 13 - 15.

⚠ WAARSCHUWING

Voordat de boorkop op de machinekop wordt gemonteerd moeten alle aansluitende oppervlakken worden gereinigd met een product dat niet op aardolie is gebaseerd. Alle olie of smeervet die is gebruikt bij het verpakken van de onderdelen moet worden verwijderd, omdat anders de boorkop kan loskomen tijdens gebruik.

- Reinig het taps toelopende gat in de boorkop met een schone doek en een reinigingsmiddel dat niet op alcohol is gebaseerd. Veeg alle olieresten en vuil weg en reinig het grondig.
- Reinig conische oppervlakken op de boorspil op dezelfde wijze als hierboven.
OPMERKING: Zorg ervoor dat er geen vreemde deeltjes aan de oppervlakken blijven plakken. Het kleinste stukje vuil of olie op een van deze oppervlakken zal voorkomen dat de boorkop goed is bevestigd. Dat zorgt ervoor dat de boorkop en de boor gaan wiebelen.
- Plaats de boorkop op de boorspil. De boorkop moet volledig worden geopend om beschadiging van de bek te voorkomen.
- Open de tafelsteunvergrendeling en draai de tafel weg van de onderzijde van de boorkop.
- Plaats de boorkop op de spil, waarbij u het volledig omhoog duwt.
- Gebruik een stukje afvalhout om de boorkop te beschermen en tik de boorkop op zijn plek met een rubberen hamer.

⚠ LET OP

Gevaar voor materiële schade. Om schade aan de boorkop te voorkomen mag u de boorkop nooit met een metalen hamer om de spil slaan.

DE BOORKOP VERWIJDEREN

- Draai aan de invoerhandgrepen om de boorkop naar de laagste stand te laten zakken.
- Plaats een kogelgewricht (niet getoond) boven de boorkop en tik het licht aan met een rubberen hamer om de boorkop van de boorspil te laten vallen.
OPMERKING: Raak de boorkop nooit direct met de rubberen hamer.

OPMERKING: Om mogelijke schade aan de boorkop te voorkomen, moet eerst de bek helemaal worden verhoogd en wees bereid om de boorkop te vangen zodra het valt.

DE BOORKOLOM AAN HET WERKOPPERVLAK BEVESTIGEN

Zie afbeelding 16.

Als het product op een permanente locatie moet worden gebruikt moet u het vastmaken aan een werkbank of een ander stabiel oppervlak.

Als het product als een draagbaar gereedschap gebruikt moet worden, moet u het permanent aan een montageplaat bevestigen dat eenvoudig aan een werkbank of een ander stabiel oppervlak geklemd kan worden. De montageplaat moet voldoende groot zijn om te voorkomen dat het product kantelt tijdens gebruik. Elk stuk multiplex of spaanplaat van goede kwaliteit met een dikte van 19 mm (3/4") wordt aanbevolen.

- Markeer de gaten op het oppervlak waar de kolomboor moet worden gemonteerd met behulp van de gaten in de voetplaat van de kolomboor als een sjabloon voor het gatenpatroon.





2. Boor gaten door het montageoppervlak
3. Plaats de kolomboor op het montageoppervlak, waarbij u de gaten in de voetplaat uitlijnt met de gaten die in het montageoppervlak zijn geboord.
4. Plaats de bouten (niet inbegrepen) en draai ze stevig vast met borgmoeren en zeskantmoeren (niet inbegrepen).

Als u houtschroeven gebruikt moet u ervoor zorgen dat ze lang genoeg zijn om door de gaten in de voetplaat van de boorkolom te gaan en het materiaal waar de boorkolom aan is gemonteerd. Als u machinebouten gebruikt moet u ervoor zorgen dat de bouten lang genoeg zijn om door de gaten in de voetplaat van de boorkolom te gaan, het materiaal waar het aan wordt gemonteerd en de borgmoeren en zeskantmoeren.

OPMERKING: Alle bouten moeten vanaf de bovenzijde worden geplaatst. Plaats de borgmoeren en zeskantmoeren van de onderkant van de werkbank.

Zodra het product op een stevige ondergrond is bevestigd:

1. Controleer op trillingen zodra de motor is ingeschakeld.
2. Stel het bevestigingsmateriaal af en draai het indien nodig aan.
3. Controleer de tafel om een soepele beweging omhoog en omlaag langs de kolom te garanderen.
4. Controleer of de as soepel beweegt.

OPSLAG VAN DE BOORKOPSLEUTEL

Zie afbeelding 17.

De opslaghouder voor de boorkopsleutel bevindt zich op de rechterzijde van het product.

BOREN ONDER EEN HOEK

Zie afbeelding 18.

OPMERKING: Er is een draaischaal opgenomen om de benaderde draaihoeken te meten. Als er nauwkeurigheid nodig is, moet een schrijfhaak of een ander meetinstrument worden gebruikt om de tafel te positioneren. Om de draaischaal te gebruiken:

1. Draai de moer op de borgpen aan met een 10 mm sleutel of verstelbare sleutel om de pen uit de tafelsteun te halen. Deze pen zal nodig zijn om de tafel vanaf de tafelsteun terug te plaatsen naar de stand van 0 graden. Gooi het niet weg.
2. Draai de grote inbus-vergrendelbout voor de tafelfkanteling los met behulp van een 17 mm moersleutel of een verstelbare moersleutel.
3. Kantel de tafel, waarbij u de gewenste meethoek uitlijnt met de nullijn tegenover de schaal.
4. Maak de tafel vast met de vergrendelbout voor de tafelfkanteling.
5. Om de tafel terug naar de oorspronkelijke positie terug te plaatsen moet u de vergrendelbout voor de tafelfkanteling losdraaien. Plaats de tafel terug in de 0°-stand.
6. Plaats de moer op de borgpen bij het buiteneinde van de schroefdraden. Tik met een rubberen hamer

zacht op de borgpen totdat het in de pasgat van de tafelbeugel zit. Draai de moer handvast.

OPMERKING: Voor de duidelijkheid is de tafel uit de afbeelding verwijderd.

⚠ WAARSCHUWING

Om persoonlijk letsel te voorkomen moet u altijd de stekker uit het stopcontact halen als u aanpassingen doet.

SPIL/VEER

Zie afbeelding 20.

Draai de invoerhandgreep tegen de klok in om de spil naar de laagste stand te draaien. Houd de boorkop vast en beweeg het van voor naar achter. Als er teveel speling is gaat u verder met de volgende aanpassingen:

1. Maak de borgmoer aan de rechterzijde van het product los met een moersleutel van 10 mm.
2. Draai de schroef, met behulp van een platte schroevendraaier, met de klok mee om de speling te elimineren, maar zonder de schroef te bewegen van de spil te belemmeren. (Een beetje speling in de spil is normaal.)
3. Draai de borgmoer aan.

TERUGTREKVEER

Zie afbeelding 21.

Als de terugtreknelheid te snel of te langzaam is, kan het zijn dat de terugtrekveer afgesteld moet worden. Deze veer bevindt zich aan de linkerzijde van de machinekop.

1. Laat de tafel zakken voor extra tussenruimte.
 2. Plaats een schroevendraaier in de onderste uitsparing van de veerdop. Houd de schroevendraaier daar terwijl u alleen de buitenste tegenmoer losmaakt en verwijderd met behulp van een moersleutel van 10 mm.
 3. Met de schroevendraaier in de inkeping moet u de binnenste moer losdraaien totdat de uitsparing loskomt van de naaf op de machinekop.
- OPMERKING:** Verwijder deze binnenmoer niet, omdat de veer dan niet afwikkelt.
4. Draai de veerdop voorzichtig tegen de klok in met de schroevendraaier, waarbij u de volgende uitsparing aangrijpt.
 5. Laat de trekveer naar de laagste stand zakken door de invoerhandgreep tegen de klok in te draaien terwijl u de veerdop op zijn plek houdt.
 6. Als de trekveer omhoog en omlaag beweegt zoals u wilt, drukt u de binnenste moer tegen de veerdop en maakt u de veerdop vast met de moersleutel. Als het los zit herhaalt u stap 3 tot en met 5 om het vast te draaien. Als het te strak zit voert u stap 4 en 5 omgekeerd uit.
 7. Bevestig de buitenmoer met een moersleutel tegen de binnenmoer.

OPMERKING: Niet te strak aandraaien en de beweging van de trekveer beperken.



RIEMSPANNING

Zie afbeelding 22.

1. Open de poeliekap
2. Om de riemspanning te verlichten draait u aan de vergrendelknop van de riemspanning op de rechterzijde van de machinekop tegen de klok in.
3. Trek de motor naar de voorzijde van het product om de riemspanning te verlichten.
4. Plaats de riem op de correcte poeliestappen voor de gewenste snelheid.
5. Duw de motor weg van de machinekop totdat de riem voldoende is aangespannen.

OPMERKING: De riemspanning is correct als de riem ongeveer 13 mm (1/2") doorbuigt wanneer het in het midden wordt aangedrukt.

6. Draai de vergrendelknop van de riemspanning vast om de motor vast te zetten. Sluit de poeliekap.

CONTROLLEREN/AANPASSEN VAN DE LASERUITLIJNING

Het product is uitgerust met Laser Trac®.

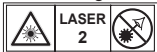
Door de laserstralen kunt u het pad van de boor op het werkstuk zien voordat u begint te boren.

⚠ WAARSCHUWING

Vermijd direct oogcontact

Wanneer de lasergeleiding wordt aangezet wordt laserlicht uitgestraald. Vermijd direct oogcontact. Trek de stekker van het product uit het stopcontact voordat u wijzigingen doet.

- Een laserpointer is geen speelgoed en mag niet in handen van kinderen vallen. Misbruik van het apparaat kan leiden tot onherstelbaar oogletsel.
- Elke aanpassing om het laservermogen te verhogen is verboden.
- Bij het gebruik van de laserpointer mag u de laserstraal niet richting mensen en/of reflecterende oppervlakken wijzen. Zelfs een laserstraal met een lage intensiteit kan oogletsel veroorzaken. Staar niet rechtstreeks in de laserstraal.
- De laserpointer bevat geen onderdelen die onderhoud vereisen. Open nooit de behuizing voor reparaties of aanpassingen.
- Waarschuwingsetiket van de laser:



- Geen waarschuwingsetiketten verwijderen of beschadigen. Het verwijderen van etiketten verhoogt de kans op blootstelling aan laserstralen.
- LET OP: Het gebruik van besturingen of afstellingen of het uitvoeren van procedures anders dan deze die hier worden gespecificeerd kan leiden tot gevaarlijke blootstelling aan straling.
- Probeer het laservermogen niet te repareren of te demonteren. Als onbevoegde personen proberen om dit laserproduct te repareren, kan dat leiden

tot ernstig letsel. Alle nodige reparaties aan dit laserproduct moeten worden uitgevoerd door erkend personeel van een servicecentrum.

- LET OP: Het gebruik van optische instrumenten met dit apparaat kan oogletsel veroorzaken.

⚠ WAARSCHUWING

Gebruik geen getinte lenzen om het laserlicht te versterken. Getinte lenzen verminderen het algemene zicht voor de toepassing en interfereren met de normale werking van het gereedschap.

⚠ WAARSCHUWING

Laserstraling. Richt de straal nooit op een werkstuk met een reflecterend oppervlak. Glanzend plaatstaal of soortgelijke reflecterende oppervlakken worden niet aanbevolen voor lasergebruik. Het reflecterende oppervlak kan de straal weerspiegelen naar de gebruiker of andere personen.

AANPASSEN VAN DE LASERLIJNEN

Zie afbeelding 23.

Controleer de laseruitlijning om ervoor te zorgen dat het snijpunt van de laserlijnen precies op de plek staat waar de boor het werkstuk raakt. Als dat niet het geval is moeten de laserlijnen worden aangepast met behulp van de regelknoppen aan weerszijden van het de kop.

1. Noteer een "X" op een stuk afvalhout.
2. *Plaats een kleine boor in de boorkop en lijn de punt uit op het snijpunt van de lijnen van de "X".*
3. Bevestig de plaat aan de tafel.
4. Zet de lasergeleiding aan en controleer dat de laserlijnen uitlijnen met de "X" op het werkstuk.
5. Als de laserlijnen niet uitlijnen moeten de stelschroeven op elk van de laserbehuizingen worden losgeschroefd met een inbussleutel en moeten de laserafstelknoppen worden gedraaid totdat de lijnen elkaar snijden in het midden van de "X". Draai de stelschroeven opnieuw aan om te bevestigen.

BEDIENING

⚠ WAARSCHUWING

Laat uw vertrouwdheid met werktuigen u niet zorgeloos maken. Vergeet niet dat zelfs één seconde onoplettendheid ernstig lichamelijk letsel kan veroorzaken.

⚠ WAARSCHUWING

Draag altijd een veiligheidsbril of een veiligheidsbril met zjschofjes wanneer u gereedschap gebruikt. Er kunnen wegsplattende deeltjes in uw ogen komen en ernstig oogletsel veroorzaken als u zich hier niet aan houdt.

⚠ WAARSCHUWING

Gebruik geen andere onderdelen of accessoires dan die door de fabrikant voor deze machine zijn aanbevolen en bijgeleverd. Bij gebruik van niet aanbevolen onderdelen of accessoires bestaat gevaar voor ernstig lichamelijk letsel.

⚠ WAARSCHUWING

Om mogelijk letsel te voorkomen moet de kap gesloten blijven wanneer het gereedschap in gebruik is.

SNELHEDEN EN PLAATSING VAN DE RIEM WIJZIGEN

Zie afbeelding 24.

De rotatiesnelheid van de spil wordt bepaald door de locatie van de riem op de poelies in de machinekop. De snelheidstabel op de kap in de kop toont de aanbevolen snelheid- en poelieconfiguratie voor elke boorbewerking.

Om de poelieconfiguratie te wijzigen:

1. Til de poeliekap omhoog.
2. Maak de spanningsbout los.
3. Verwijder de riem.
4. Verplaats de riem volgens de snelheidstabel.
5. Maak de spanningsbout weer vast.

OPMERKING: Raadpleeg de paragraaf "Aanbevolen boorsnelheid" voor aanbevelingen van de maat van de boor en boorsnelheden.

AANBEVOLEN BOORSNELHEID

BOONSNELHEIDTABEL (RPM)			
Boordiameter (Inches)	Materiaal		
	Hout Kunststof	Aluminium Zink Messing	Ijzer Staal
1/16	2430	2430	2430
1/8			1800
3/16			1300
1/4			800
5/16			800
3/8	1800	1300	800
1/2	1800	800	510

Aan-/uitschakelaar

Zie afbeelding 25.

90 | Vertaling van de originele instructies

Werktuig inschakelen:

1. Druk op de knop AAN (I).

Werktuig uitschakelen:

1. Druk op de knop UIT (O).

⚠ WAARSCHUWING

Controleer altijd dat het werkstuk geen contact maakt met de boor voordat u het product inschakelt. Wanneer u deze waarschuwing niet in acht neemt, kan het werkstuk terugslaan in de richting van de bediener en leiden tot ernstige letsels.

MONTEREN EN VERWIJDEREN VAN BOREN

Zie afbeelding 26.

1. Haal de stekker uit het product.
2. Open of sluit de stifteklemmen tot op het punt waar de opening een klein beetje groter is dan de diameter van de stift die u zult gebruiken.
3. Plaats de boor over de volledige lengte van de bek in de boorkop.

⚠ WAARSCHUWING

De boor niet in de bek van de boorkop plaatsen en aandraaien, zoals is weergegeven in figuur 19. Dit kan ervoor zorgen dat de boor uit het product wordt geworpen, wat leidt tot ernstig lichamelijk letsel of schade aan de boorkop.

4. Draai de spanbek stevig aan met behulp van de spansleutel. Gebruik geen sleutel om de stifteklemmen aan te spannen of los te maken.
5. Verwijder de spansleutel.
6. Om de boor te verwijderen volgt u bovenstaande stappen in omgekeerde volgorde.

⚠ WAARSCHUWING

Om letsels of ongelukken te vermijden, doordat de spansleutel van de boorkop wegschiet wanneer de boor wordt aangezet, mag u uitsluitend de zelfuitstotende spansleutel gebruiken die bij de boorkolom wordt geleverd. Controleer altijd opnieuw en verwijder de spansleutel voordat u het apparaat inschakelt. Plaats de boorkop in de houder als u het niet gebruikt.

BOREN TOT EEN BEPAALDE DIEPTE

Een blind gat (niet helemaal door het werkstuk) boren tot een bepaalde diepte kan op twee manieren worden uitgevoerd:

Werkstukmethode

Zie afbeelding 27.

1. Markeer de diepte van het gat aan de zijkant van het werkstuk.
2. Zet het apparaat uit en laat de boor zakken totdat de



- punt bij de markering is.
- 3. Houd de invoerhandgreep bij deze positie vast.
- 4. Draai de ondermoer omlaag totdat het in contact is met de dieptestop op de kop.
- 5. Draai de bovenmoer omlaag en maak hem vast tegen de ondermoer.
- 6. Nu zal de boor stoppen bij de afstand die is aangegeven op het werkstuk.

Diepteschaalmethode

Zie afbeelding 28.

OPMERKING: Met de boorkop in de bovenste stand moet de punt van de boor net boven het werkstuk hangen.

1. Zet het apparaat uit en draai aan de invoerhandgreep totdat de pointer de gewenste diepte op de diepteschaal aanwijst en houd de invoerhandgreep vast in die stand.
2. Draai de ondermoer omlaag totdat het in contact is met de dieptestop.
3. Draai de bovenmoer tegen de ondermoer en maak het vast.
4. De boor zal stoppen bij de afstand die is aangegeven op de diepteschaal.

Een gat boren

1. Met behulp van een priem of een scherpe spijker maakt u een deukje in het werkstuk op de plek waar u wilt boren.
2. Zet de lasergeleiding aan en lijn de laserlijnen uit met het deukje.
3. Zet het apparaat aan en trek aan de invoerhandgrepen met net voldoende kracht om de boor het werk te laten doen.

Als u te snel boort kan de riem of de voor slippen, het werkstuk losschieten of de boor breken.

Als u metaal boort is het nodig om de boorpunt te smeren met metaalboorolie om te voorkomen dat het oververhit.

VOOR UW VEILIGHEID

⚠ WAARSCHUWING

Om te voorkomen dat u in de machine wordt getrokken mag u geen losse kleding, handschoenen, sjaals of sieraden dragen. Bind lang haar altijd vast.

1. Als er een onderdeel van uw product ontbreekt, niet goed werkt, is beschadigd of is gebroken, moet u het gebruik onmiddellijk stoppen totdat het onderdeel goed is hersteld of vervangen.
2. Plaats nooit uw vingers in een positie waar ze in contact kunnen komen met de boor of een ander snijgereedschap. Het werkstuk kan onverwachts verschuiven of uw handen kunnen wegglijden.
3. Om te voorkomen dat het werkstuk uit uw handen wordt getrokken, wegschiet, door de boor gaat draaien of wordt verbrijzeld, moet u uw werkstuk altijd als volgt beschermen:
 - Plaats altijd ondersteuningsmateriaal (onder het werkstuk), zodat het de linkerzijde van de kolom

- raakt.
- Indien mogelijk moet u het werkstuk in contact met de linkerzijde van de kolom plaatsen. Als het werkstuk te kort is of als de tafel is gekanteld, moet u het werkstuk stevig aan de tafel klemmen met behulp van de tafelsleuven.
- Als u een schroefklem voor de kolomboor gebruikt (niet inbegrepen), moet u die altijd aan de tafel bevestigen.
- Werk nooit uit de vrije hand (het werkstuk met de hand vasthouden in plaats van het op de tafel te ondersteunen), behalve wanneer u polijst of schuurt.
- Maak, voordat u de boor aanzet, de kop en de steun stevig vast aan de kolom, de tafelarm aan de steun en de tafel aan de tafelarm.
- Beweeg nooit de kop of de tafel als het gereedschap in gebruik is.
- Voordat u aan een bewerking begint, moet u de motorschakelaar kort aan- en uitzetten om te controleren dat de boor of het snijgereedschap niet wiebelt of zorgt voor trillingen.
- Als een werkstuk over de rand van de tafel hangt zodat het kan vallen of kantelt als het niet wordt vastgehouden, moet het aan de tafel worden geklemd of op een andere manier worden ondersteund.
- Gebruik klemmen voor ongebruikelijke bewerkingen, om het werkstuk voldoende vast te houden, te geleiden en te plaatsen.
- Gebruik de rotatiesnelheid die is aanbevolen voor de specifieke bewerking en materiaal van het werkstuk. Bekijk het plaatje op de binnenzijde van de poeliekap of raadpleeg de paragraaf "Aanbevolen boorsnelheid" voor meer informatie over boorsnelheden. Voor accessoires raadpleegt u de instructies die bij elke accessoire zijn geleverd.
- 4. Klim nooit op de tafel van de boorkolom. Het kan kapot gaan of de hele boorkolom kan op u vallen.
- 5. Trek de stekker uit het stopcontact als u het product verlaat.
- 6. Om letsel te voorkomen vanwege wegschietend werk of contact met het gereedschap mag u nooit lay-out-, montage- of aanpassingswerkzaamheden op de tafel uitvoeren als het snijgereedschap draait.

DE TAFEL EN HET WERKSTUK PLAATSEN

Zie afbeelding 29-30.

1. Zet de tafel aan de kolom vast bij een stand zodat de punt van de boor net boven het werkstuk hangt.
2. Plaats altijd ondersteuningsmateriaal (afvalhout) op de tafel onder het werkstuk. Dit voorkomt splinters of grote bramen aan de onderzijde van het werkstuk. Om te voorkomen dat het ondersteuningsmateriaal gaat draaien, moet het tegen de linkerzijde van de kolom worden geplaatst.
3. Gebruik bij overhangende werkstukken de juiste ondersteuning.

⚠ WAARSCHUWING

Om te voorkomen dat het werkstuk of het ondersteuningsmateriaal tijdens het boren wegschiet, MOET u het werkstuk tegen de linkerzijde van de kolom plaatsen. Als het werkstuk of het ondersteuningsmateriaal niet lang genoeg is om de kolom te bereiken, moet u ze aan de tafel vastklemmen om het werkstuk te ondersteunen. Als u het werkstuk niet vastklemt kan dat leiden tot persoonlijk letsel.

⚠ WAARSCHUWING

Een schroefklem voor de kolomboor moet aan de tafel worden vastgeklemd of -geschroefd om letsel vanwege een draaiend werkstuk, een beschadigde schroefklem of boordeeltjes te voorkomen

EEN BOORLOCATIE VASTZETTEN

1. Met behulp van een priem of een scherpe spijker maakt u een deukje in het werkstuk op de plek waar u wilt boren.
2. Zet de lasergeleiding aan en lijn de laserlijnen uit met het deukje voordat u de boor aanzet.

DE TAFEL KANTELEN

Zie afbeelding 31.

OPMERKING: De tafelsteun heeft een voorgeboord gat met een borgpen om de tafel te vergrendelen in een kantelhoek van 0°.

1. Draai de moer op de borgpen aan met een 10 mm sleutel of verstelbare sleutel om de pen uit de tafelsteun te halen. Deze pen zal nodig zijn om de tafel vanaf de tafelsteun terug te plaatsen naar de stand van 0 graden.
2. Draai de grote inbus-vergrendelbout voor de tafeltanteling los met behulp van een 17 mm moersleutel of een verstelbare moersleutel.

⚠ WAARSCHUWING

Om letsel te voorkomen moet u de tafel en de tafalarm vasthouden, zodat het niet draait of kantelt.

3. Kantel de tafel, waarbij u de gewenste meethoek uitlijnt met de nullijn tegenover de schaal.
4. Maak de tafel vast met de vergrendelbout voor de tafeltanteling.
5. Om de tafel terug naar de oorspronkelijke positie terug te plaatsen moet u de vergrendelbout voor de tafeltanteling losdraaien. Plaats de tafel terug in de 0°-stand.
6. Plaats de moer op de borgpen bij het buiteneinde van de schroefdraden. Tik zacht op de borgpen totdat het in de pasgat van de tafelbeugel zit. Draai de moer handvast.

⚠ WAARSCHUWING

Om letsel vanwege draaiend werk of breuk van het gereedschap te voorkomen moet u het werkstuk en het ondersteuningsmateriaal altijd stevig aan de tafel klemmen voordat u de kolomboor gebruikt.

INVOER

1. Trek met net voldoende kracht aan de invoerhandgrepen om de boor het werk te laten doen.
2. Als u te langzaam boort kan de boor gaan branden. Als u te snel boort kan de riem of de voor slippen, het werkstuk losschieten of de boor breken.
3. Als u metaal boort is het noodzakelijk om de boorpunt te smeren met olie om te voorkomen dat het werkstuk en de boor teveel verhitten.

ONDERHOUD

⚠ WAARSCHUWING

Voor uw eigen veiligheid moet u het apparaat uitzetten en de stekker uit het stopcontact stopcontact halen voordat u onderhoud pleegt of uw kolomboor smeert.

Blaas op regelmatige basis, met een luchtcompressor of stofzuiger, al het zaagsel of metaaldeeltjes weg die zich ophopen in de motor, poeliebehuizing, tafel en het werkblad. Draag altijd gezichtsbescherming terwijl u het apparaat gebruikt.

⚠ WAARSCHUWING

Om het gevaar van elektrische schokken of brand te voorkomen moet het elektriciteitsnoer onmiddellijk worden vervangen door een erkend monteur of servicemonteur als het is versleten of beschadigd.

SMERING

Alle kogellagers van de kolomboor zijn in de fabriek gevuld met smeervet. Ze hoeven niet meer gesmeerd te worden.

Smeer periodiek de tandwielen en het rek, het tafelverhogingsmechanisme van de rotatiespil en het rek (de tanden) van de trekveer. Laat elke drie maanden de rotatiespil zakken en smeet de spilhuis licht.

TRANSPORT EN OPSLAG

Zie afbeelding 32.

Bij transport van het product moet u de stroomkabel loskoppelen en ervoor zorgen dat alle onderdelen goed vastzitten. Raadpleeg bij het optillen van het product Fig. 32 voor de grijpvlakken.

Bewaar het product op een veilige plaats die niet toegankelijk is voor kinderen.

Reinig het product met behulp van een borstel en

stofzuiger voor u het opbergt.

SYMBOOL



Veiligheidswaarschuwing



CE-markering



Brits conformiteitskeurmerk



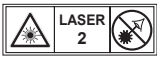
Oekraïens conformiteitskeurmerk



EurAsian-symbool van overeenstemming



Lees zorgvuldig de instructies voor u het product start.



Laserstraling.
Kijk niet in de laserstraal.
Klasse 2 laserproduct



Stel niet bloot aan regen of gebruik niet in op vochtige plaatsen.



Draag gehoorbescherming



Draag altijd gezichtsbescherming.



Boorhoudervermogen



Spindelbeweging



Afstellen van boren



Diameter van boor (inch)



Hout



Aluminium
Zink
Messing



IJzer
Staal



Gooi afgedankte elektrische en elektronische apparatuur niet weg als ongesorteerd gemeentelijk afval. Afgedankte elektrische en elektronische apparatuur moet afzonderlijk worden ingezameld. Afgedankte lichtbronnen moeten uit de apparatuur worden verwijderd. Neem contact op met uw gemeente of winkelier voor advies over recycling en het inzamelpunt. Volgens de plaatselijke voorschriften kunnen detailhandelaars verplicht zijn afgedankte elektrische en elektronische apparatuur kosteloos terug te nemen. Uw bijdrage aan hergebruik en recycling van afgedankte elektrische en elektronische apparatuur helpt de vraag naar grondstoffen te verminderen. Afgedankte elektrische en elektronische apparatuur bevat waardevolle en recycleerbare materialen, die een negatief effect kunnen hebben op het milieu en de volksgezondheid indien ze niet op een milieuvriendelijke manier worden verwijderd. Verwijder eventuele persoonlijke gegevens van afgedankte apparatuur.

PROBLEMEN OPLOSSEN

Probleem	Mogelijke oorzaak	Oplossing
Luidruchtige werking.	<ol style="list-style-type: none"> 1. Onjuiste riemspanning. 2. Rotatiespil is droog. 3. Spilpoelie zit los. 4. Motorpoelie zit los. 	<ol style="list-style-type: none"> 1. Pas de spanning aan. Zie de paragraaf "Riemspanning". 2. Smeer de rotatiespil. Zie de paragraaf "Smering". 3. Controleer de nauwsluitendheid van de borgmoer op de poelie en draai hem indien nodig aan. 4. Draai de stelschroef in de motorpoelie aan.
De boor brandt.	<ol style="list-style-type: none"> 1. Onjuiste snelheid. 2. De spaanders komen niet uit het gat. 3. De boor is stomp. 4. U voert de boor te traag. 5. Niet gesmeerd. 	<ol style="list-style-type: none"> 1. Wijzig de snelheid. Zie de paragraaf "Snelheden en plaatsing van de riem wijzigen". 2. Trek de boor regelmatig terug om de spaanders te verwijderen. 3. Slijp de boor of vervang het met een nieuwe. 4. Voer de boor snel genoeg - laat de boor het werk doen. 5. Smeer de boor. Zie de paragraaf "Invoer".
Uitloop van de boorpunt - geboord gat is niet rond.	<ol style="list-style-type: none"> 1. Harde nerf in het hout of de snijroutes en/of hoeken zijn niet gelijk. 2. De boor is verbogen. 	<ol style="list-style-type: none"> 1. Slijp de boor correct. 2. Vervang de boor.
Houtsplinters aan de onderzijde.	<ol style="list-style-type: none"> 1. Geen ondersteuningsmateriaal onder het werkstuk. 	<ol style="list-style-type: none"> 1. Gebruik ondersteuningsmateriaal. Zie de paragraaf "Gebruik".
Werkstuk wordt uit uw hand getrokken.	<ol style="list-style-type: none"> 1. Het werkstuk wordt niet ondersteund of is niet goed vastgeklemd. 	<ol style="list-style-type: none"> 1. Ondersteun het werkstuk of klem het vast. Zie de paragraaf "Gebruik".
De boor loopt vast in het werkstuk.	<ol style="list-style-type: none"> 1. Het werkstuk knijpt de boor af of drukt de boor te hard aan. 2. Onjuiste riemspanning. 	<ol style="list-style-type: none"> 1. Ondersteun het werkstuk of klem het vast. Zie de paragraaf "Gebruik". 2. Stel de spanning af. Zie de paragraaf "Riemspanning".
Teveel speling van de boor of wiebelen.	<ol style="list-style-type: none"> 1. De boor is verbogen. 2. Lagers Lagers zijn versleten. 3. Boor is niet goed in de boorkop geplaatst. 4. Boorkop niet goed gemonteerd. 	<ol style="list-style-type: none"> 1. Gebruik een rechte boor. 2. Vervang de lagers. 3. Monteer de boor correct. Zie de paragraaf "Gebruik" and "Montage en aanpassingen". 4. Monteer de boorkop correct. Zie de paragraaf "Monteren van de boorkop".
De trekveer gaat te langzaam of te snel terug.	<ol style="list-style-type: none"> 1. De springveer heeft de verkeerde spanning. 	<ol style="list-style-type: none"> 1. Pas de veerspanning aan. Zie de paragraaf "Terugtrekveer".
De boorkop blijft niet aan de rotatiespil bevestigd. Het valt er af wanneer u het probeert de plaatsen.	<ol style="list-style-type: none"> 1. Vuil, vet of olie op het tapse binnenoppervlak van de boorkop of op het tapse oppervlak van de rotatiespindel. 	<ol style="list-style-type: none"> 1. Gebruik een reinigingsmiddel dat niet op alcohol is gebaseerd en reinig het tapse oppervlak van de boorkop en de rotatiespil op alle vuil, vet en olie te verwijderen. Zie de paragraaf "Monteren van de boorkop".

DESCRIÇÃO

1. Conjunto de cabeça
2. Bancada
3. Base
4. Grade
5. Conjunto de coluna
6. Anel de grade
7. Pegas de alimentação
8. Engrenagem sem-fim
9. Pega de bloqueio de mesa
10. Pega de manivela de mesa
11. Parafusos hexagonais
12. Mandril
13. Chave de aperto
14. Chave hexagonal 4 mm
15. Chave hexagonal 3 mm
16. Chave de fendas
17. Chave ajustável
18. Chave 12 mm
19. Martelo ou macete de borracha
20. Esquadro combinado
21. Bloco de madeira
22. Motor
23. Cabeça do laser
24. Bobina / mola de retorno de coluna
25. Suporte de mesa
26. Tampa de polia
27. Interruptor desligado/ligado
28. Interruptor de laser
29. Dispositivo de segurança superior
30. Orifício de montagem
31. Parafuso de bloqueio de cabeça
32. Manipulo de bloqueio de tensão de correia
33. Suporte de chave de aperto
34. Eixo de polia
35. Polia de motor
36. Suporte de mesa
37. Orifício de pega de manivela de mesa
38. Suporte de coluna
39. Parafuso de fixação
40. Cabeça
41. Parafuso de fixação de bloqueio de cabeça
42. Orifícios roscados
43. Conjunto de cubo
44. Fuso
45. Parafuso x 2 (M12, não incluído)
46. Arruela de pressão x 4 (Dia. 12mm, não incluída)
47. Arruela de borracha x 2 (Dia. 12mm, não incluída)
48. Arruela plana x 2 (Dia. 12mm, não incluída)
49. Contraporca x 2 (M12, não incluída)
50. Porca sextavada x 2 (M12, não incluída)
51. Superfície de trabalho
52. Escala de inclinação
53. Parafuso de bloqueio de bisel de mesa
54. Porca
55. Porca de bloqueio
56. Parafuso
57. Corte frontal inferior
58. Tampa de mola
59. Contraporca exterior
60. Porca interior
61. Entalhe
62. Saliência
63. Buchas
64. Broca de perfuração
65. Profundidade
66. Indicador de escala de profundidade
67. Escala de profundidade
68. Porca superior
69. Porca inferior
70. Nariz de paragem de profundidade
71. Peça a trabalhar

Na concepção do seu berbequim de coluna foi dada a máxima prioridade à segurança, ao desempenho e à fiabilidade.

UTILIZAÇÃO PREVISTA

O berbequim de coluna destina-se a realizar perfurações em madeira, plástico, alumínio e aço.

O produto destina-se a ser utilizado por operadores adultos que tenham lido o Manual de Instruções e que compreendam os riscos e os perigos.

O produto foi concebido para ser fixado pela base ao tampo de uma bancada sólida. Se a base não estiver fixada em segurança, toda a máquina tem a tendência de tombar, deslizar ou deslocar-se na superfície de apoio durante as operações, o que aumenta a possibilidade de lesões pessoais graves.

O produto destina-se a ser utilizado em condições secas, com iluminação ambiente excelente e com ventilação adequada.

O produto foi desenhado para uso doméstico e apenas deve ser utilizado tal como se descreve anteriormente e não para outros fins.

AVISOS GERAIS DE SEGURANÇA DE FERRAMENTAS ELÉCTRICAS

▲ AVISO

Leia com atenção todas as advertências, instruções e especificações fornecidas com a ferramenta, e consulte as ilustrações. O incumprimento das instruções seguintes pode ocasionar acidentes como incêndios, choques eléctricos e/ou ferimentos graves.

Guarde todos os avisos e instruções para futuras consultas. O termo "ferramenta eléctrica" nos avisos refere-se à sua ferramenta eléctrica alimentada directamente pela rede eléctrica (com cabo eléctrico) ou à sua ferramenta eléctrica alimentada a baterias recarregáveis (sem cabo eléctrico).

SEGURANÇA NA ÁREA DE TRABALHO

- **Mantenha a área de trabalho limpa e bem iluminada.** As áreas desordenadas ou escuras são um convite para acidentes.
- **Não opere ferramentas eléctricas em atmosferas explosivas, como na presença de líquidos, gases ou poeiras inflamáveis.** As ferramentas eléctricas produzem faíscas que podem inflamar o pó ou fumos.
- **Ao operar esta ferramenta eléctrica, mantenha as crianças e as pessoas presentes afastadas.** As distrações podem levá-lo a perder o controlo.

SEGURANÇA ELÉCTRICA

- **As fichas eléctricas da ferramenta têm de corresponder à tomada. Nunca altere a ficha seja de que maneira for. Não use quaisquer**

fichas adaptadoras com ferramentas de ligação com terra. As fichas não modificadas e tomadas compatíveis reduzirão o risco de choque eléctrico.

- **Evite o contacto do corpo com superfícies com ligação terra ou enterradas, tais como tubos, radiadores, fogões e frigoríficos.** Há um aumento do risco de choque eléctrico se o seu corpo estiver ligado à terra.
- **Não exponha as ferramentas eléctricas à chuva ou a condições de humidade.** Se entra água numa ferramenta eléctrica aumentará o risco de descargas eléctricas.
- **Não puxe pelo cabo. Nunca use o cabo para carregar, puxar ou retirar a ficha da ferramenta da tomada. Mantenha o cabo afastado de fontes de calor, óleo, extremidades afiadas ou peças móveis.** Os cabos danificados ou emaranhados aumentam o risco de choque eléctrico.
- **Ao operar uma ferramenta eléctrica ao ar livre, use um cabo de extensão apropriado para o uso ao ar livre.** A utilização de um cabo apropriado para o uso ao ar livre reduz o risco de choque eléctrico.
- **Se operar uma ferramenta eléctrica num local húmido é inevitável, use uma fonte com protecção de dispositivo de corrente residual (RCD).** O uso de um RCD reduz o risco de choque eléctrico.

SEGURANÇA PESSOAL

- **Mantenha-se alerta, preste atenção àquilo que está a fazer e utilize o senso comum ao operar uma ferramenta. Não use a ferramenta quando estiver cansado ou sob a influência de drogas, álcool ou medicação.** Um momento de distração durante a operação de ferramentas eléctricas pode resultar em lesões físicas graves.
- **Usar equipamento de protecção pessoal. Use sempre protecção para os olhos.** Equipamento de protecção (por exemplo, máscara para poeiras, calçado anti-derrapante, capacete ou protecção para os ouvidos) utilizado para as condições adequadas irá reduzir o risco de ferimentos.
- **Evite o arranque involuntário. Antes de ligar o produto à alimentação eléctrica e/ou ao conjunto de baterias, e antes de pegar no produto ou de o transportar, certifique-se de que o interruptor está na posição de Desligado ("O").** Transportar ferramentas eléctricas tendo o dedo no gatilho ou montar baterias em ferramentas eléctricas tendo o interruptor na posição de Ligado é um convite a acidentes.
- **Remova qualquer chave de ajuste antes de ligar a ferramenta eléctrica.** Uma chave-inglesa ou uma chave colocada numa peça móvel da ferramenta eléctrica pode causar lesões pessoais.
- **Não se aproxime em demasia. Mantenha sempre o equilíbrio e a posição dos pés adequada.** Isto possibilita um melhor controlo da ferramenta eléctrica em situações inesperadas.
- **Vista-se adequadamente. Não use roupas largas**

ou jóias. Mantenha o seu cabelo e a sua roupa afastados de peças em movimento. A roupa solta, jóias ou o cabelo comprido podem ficar presos nas peças móveis.

- Se forem fornecidos dispositivos para fazer a ligação a sistemas de extracção e recolha de poeiras, certifique-se de que estão montados e que são correctamente utilizados. A utilização de um sistema de recolha de poeiras pode reduzir os riscos relacionados com poeiras.
- Estar familiarizado com as ferramentas por as utilizar com frequência não é razão para se tornar descuidado e para ignorar os princípios de segurança referentes a ferramentas. Uma acção descuidada pode causar ferimentos graves numa fracção de segundo.

UTILIZAÇÃO E MANUTENÇÃO DA FERRAMENTA ELÉCTRICA

- Não force a ferramenta. Use o produto adequado para a sua aplicação. O produto adequado funcionará melhor e de forma mais segura no âmbito para o qual foi desenhado.
- Não use uma ferramenta caso o interruptor não ligue e desligue a ferramenta eléctrica correctamente. Qualquer ferramenta eléctrica que não possa ser controlada com o interruptor é perigosa e deve ser reparada.
- Antes de fazer quaisquer ajustes, substituir acessórios, ou guardar ferramentas eléctricas, desencaixe a ficha da tomada da rede eléctrica e/ou desmonte o conjunto de baterias (se for desmontável) da ferramenta eléctrica. Estas medidas de segurança preventivas reduzem o risco de activar o produto acidentalmente.
- Armazene as ferramentas eléctricas fora do alcance das crianças e não permita que pessoas não familiarizadas com a ferramenta eléctrica ou com estas instruções utilizem a ferramenta eléctrica. As ferramentas eléctricas são perigosas nas mãos de utilizadores inexperientes.
- Faça manutenção às ferramentas eléctricas e aos respectivos acessórios. Verifique se as peças móveis estão bem alinhadas ou presas, se há peças partidas e quaisquer outras situações que possam afectar o funcionamento da ferramenta. Se estiver danificada, leve a ferramenta ao serviço técnico autorizado antes de a usar. Muitos acidentes são causados por ferramentas que não receberam manutenção adequada.
- Mantenha as ferramentas de corte afiadas e limpas. Ferramentas de corte que tenham recebido manutenção correcta para manter as arestas de corte afiadas têm menor probabilidade de encravar e são mais fáceis de controlar.
- Utilize o produto, os acessórios e as peças de encaixe na ferramenta, etc. de acordo com estas instruções, levando em consideração as condições de trabalho e as tarefas a serem executadas. O uso da ferramenta eléctrica para

as operações diferentes daquelas a que se destina podem causar uma situação perigosa.

- Mantenha as pegas e as superfícies de prensão secas, limpas, e livres de óleo e de gordura. Pegas e superfícies de prensão escorregadias não permitem manusear a ferramenta em segurança, nem permitem manter o controlo da ferramenta em situações inesperadas.

ASSISTÊNCIA

- A manutenção da sua ferramenta eléctrica deve ser efectuada por uma pessoa qualificada para reparações, utilizando apenas peças de substituição idênticas. Isto assegurará que a segurança da ferramenta eléctrica é mantida.

AVISOS DE SEGURANÇA RELATIVOS AO BERBEQUIM DE COLUNA

- O berbequim deve estar fixo. Um berbequim que não seja fixado correctamente pode movimentar-se ou tombar e provocar ferimentos pessoais.
- A peça de trabalho deve apertada com um grampo ou fixada ao respetivo suporte. Não perfure peças que sejam demasiado pequenas para prender em segurança com um grampo. Segurar a peça de trabalho com a mão durante a operação pode provocar ferimentos pessoais.
- Não use luvas. As luvas podem prender-se nas peças rotativas ou em lascas, provocando ferimentos pessoais.
- Mantenha as mãos afastadas da área de perfuração enquanto a ferramenta estiver em funcionamento. O contacto com as peças rotativas ou lascas pode resultar em ferimentos pessoais.
- Certifique-se de que o acessório roda antes de o colocar na peça de trabalho. Caso contrário, o acessório pode ficar preso na peça de trabalho provocando movimentos inesperados da peça de trabalho e ferimentos pessoais.
- Se o acessório ficar preso, deixe de aplicar pressão para baixo e desligue a ferramenta. Investigue e inicie ações corretivas para eliminar a causa do problema. A obstrução pode provocar o movimento inesperado da peça de trabalho e ferimentos pessoais.
- Evite a produção de lascas longas, interrompendo regularmente a pressão para baixo. As lascas de metal afiadas podem provocar obstruções e ferimentos pessoais.
- Nunca retire lascas da área de perfuração com a ferramenta em funcionamento. Para retirar as lascas, afaste o acessório da peça de trabalho, desligue a ferramenta e aguarde que o acessório pare por completo. Utilize ferramentas como escovas ou ganchos para retirar as lascas. O contacto com as peças rotativas ou lascas pode resultar em ferimentos pessoais.
- Os acessórios com classificações de velocidade devem possuir uma velocidade no mínimo igual à velocidade máxima assinalada na

Tradução das instruções originais

ferramenta elétrica. Os acessórios que funcionam a uma velocidade superior à sua velocidade nominal podem quebrar e ser ejectados.

- **Mantenha as pontas limpas e afiadas.** Pontas afiadas minimizam as paragens. Pontas sujas e imprecisas podem causar desalinhamento do material e possível lesão do operador.
- **Mantenha as mãos afastadas da área de trabalho.** Mantenha as mãos afastadas da ponta. Prenda qualquer vestuário solto, bijuteria, cabelo comprido, etc., pois poderão ficar presos na ponta.
- **Amarre ou fixe sempre a peça de trabalho contra a coluna para evitar rotação.** Nunca utilize a sua mão para segurar o objeto durante a perfuração.
- **Utilize a velocidade recomendada para perfurar acessórios e material de trabalho.**
- **Certifique-se de que a ponta de perfuração ou a ferramenta de corte estão fixadas de forma segura no mandril.**
- **Certifique-se de que a chave de aperto foi removida do mandril antes de ligar a fonte de alimentação ou fazer o arranque da ferramenta.**
- **Ajuste a mesa ou o limitador de profundidade para evitar a perfuração na mesa.** Desligue da alimentação, remova a broca, e limpe a mesa antes de deixar a máquina.
- **Evite a exposição directa dos olhos quando utilizar o guia laser.**
- **Certifique-se sempre de que o feixe de laser está direccionado a uma superfície sem propriedades refletoras.** Materiais refletores brilhantes não são adequados a utilização com laser.
- **Nunca coloque os seus dedos numa posição em que possam entrar em contacto com a broca ou outra ferramenta cortante se a peça de trabalho inesperadamente se mexer.**
- **Nunca realize uma operação deslocando a cabeça ou a mesa relativamente uma à outra.** Não ligue o interruptor do motor ou inicie qualquer operação antes de verificar se a pega de bloqueio de suporte da cabeça e da mesa está devidamente presa à coluna e que os aros de apoio da mesa e da cabeça estão corretamente posicionados.
- **Antes de ligar o interruptor do motor, certifique-se de que a protecção da correia está baixada e o mandril está devidamente instalado.**
- **Desligue o interruptor do motor quando deixar de trabalhar com o produto.** Não realize trabalho de configuração, montagem ou disposição na mesa enquanto a ferramenta de corte estiver em rotação, acionada ou ligada a uma fonte de alimentação.
- **Se o cabo de alimentação estiver danificado, deverá ser substituído unicamente pelo fabricante ou por um centro de serviço autorizado para evitar riscos.**
- **Guarde as ferramentas inactivas.** Quando não estiver em uso, as ferramentas devem ser guardadas num local seco, com chave, fora do alcance de crianças.

- Recomendamos que a alimentação elétrica da ferramenta seja sempre fornecida através de um dispositivo de corrente residual com uma corrente residual nominal de 30 mA ou menos.
- **Guarde estas instruções.** Consulte as instruções de forma frequente e utilize-as para instruir outros utilizadores. Se emprestar esta ferramenta, assegure-se de que o novo utilizador recebe também estas instruções.

SEGURANÇA LASER

- A radiação laser utilizada no produto é de Classe 2 com um máximo = 1 mW e comprimentos de onda de 650 nm. Não olhe directamente para o feixe laser. O não cumprimento destas regras pode resultar em graves lesões físicas.
- Não olhe para o feixe durante o funcionamento.
- Não projecta o feixe laser directamente para os olhos de outras pessoas. Poderão ocorrer graves lesões nos olhos.
- Não coloque o laser numa posição que possa fazer com que alguém olhe fixamente no feixe laser intencionalmente ou sem intenção.
- Não utilize ferramentas ópticas para ver o feixe laser.
- Não opere o laser perto de crianças ou não deixe crianças operar o laser.
- Não tente reparar o dispositivo laser por si próprio.
- Não tente substituir sozinho(a) qualquer peça do aparelho laser.
- Qualquer reparação deve ser executada pelo fabricante de laser ou um agente de assistência autorizado.
- Não substitua o laser por outro de tipo diferente.

RISCOS RESIDUAIS

Mesmo quando se utiliza o produto segundo as instruções, continua a ser impossível eliminar por completo certos fatores de risco residuais. O utilizador deve prestar especial atenção a estes pontos para minimizar o risco de lesões pessoais graves.

- **Lesões auditivas** – Use protecção adequada para os ouvidos e limite o tempo de exposição
- **Lesões oculares** – É preciso levar proteções ou óculos de protecção para os olhos quando se utiliza o produto.
- **Lesões por vibração** - Limite a exposição e siga as instruções dadas em Redução de Riscos neste Manual.
- **Danos respiratórios** devido ao pó gerado ao utilizar o produto – Utilize a protecção adequada segundo o tipo de pó.

▲ AVISO

Certas poeiras produzidas pelas operações de lixar, serrar, esmerilar, perfurar e outras actividades da construção contêm produtos químicos que podem ser cancerígenos e provocar anomalias congénitas ou problemas de fertilidade. Alguns exemplos destes produtos químicos:

- o chumbo, nas tintas à base de chumbo,
- a sílica cristalizada que se encontra em certos cimentos, tijolos e outros produtos de alvenaria e
- o arsénico e o crómio que se encontram em certas madeiras tratadas quimicamente.

Os perigos ligados a estes produtos variam em função da frequência deste tipo de trabalho. Para reduzir os riscos da exposição a estas substâncias químicas, trabalhe num ambiente bem arejado, com material de segurança autorizado, tal como máscaras anti-poeira especialmente concebidas para filtrar as partículas microscópicas.

ELECTRICIDADE

Utilize apenas cabos de extensão compostos de 3 cabos que tenham ligações à terra de 3 pontas e tomadas de 3 pólos que aceitem a ligação ao produto. Ao utilizar uma ferramenta eléctrica a uma distância considerável da fonte de alimentação, use um cabo eléctrico suficientemente pesado para suportar a corrente de que o produto necessitará. A utilização de um cabo eléctrico não adequado provocará uma quebra na tensão, que resultará numa quebra de potência e no sobreaquecimento do motor.

Antes de utilizar uma extensão, verifique se não existem fios soltos ou expostos e isolamento cortado ou desgastado.

▲ AVISO

Mantenha o cabo de extensão fora da área de trabalho. Coloque o cabo de forma a que não seja preso em tábuas, ferramentas ou outras obstruções enquanto estiver a trabalhar com uma ferramenta eléctrica. O não cumprimento desta instrução pode ocasionar ferimentos graves.

▲ AVISO

Verifique os cabos de extensão antes de cada utilização. Se estiver danificado, substitua imediatamente. Nunca utilizar uma ferramenta com um cabo danificado, uma vez que tocar na área danificada pode provocar choque eléctrico, resultando em ferimentos graves.

LIGAÇÃO ELÉCTRICA

Este produto é alimentado por um motor eléctrico de precisão encastrado. Esta ferramenta deve ser unicamente ligada a uma fonte de alimentação de 220~240V, de CA (corrente normal doméstico), 50 Hz. Não opere este aparelho em corrente contínua (CC). Uma queda de tensão substancial causará uma perda da potência e o motor irá sobreaquecer. Se o aparelho não funcione quando ligado a uma tomada, verifi que novamente a fi nte de alimentação.

VELOCIDADE E INSTALAÇÃO ELÉCTRICA

Esta velocidade não é constante e diminui durante uma carga ou com menor tensão. No que se refere à voltagem, a instalação eléctrica de uma loja é tão importante quanto a classe de potência de um motor. Um cabo de alimentação destinado unicamente para luzes não pode suportar um motor de uma ferramenta eléctrica. Um cabo com um calibre suficiente para uma distância curta será muito débil para uma maior distância. Um cabo de alimentação que pode suportar uma ferramenta eléctrica pode não ser suficiente para alimentar duas ou três ferramentas.

INSTRUÇÕES DE LIGAÇÃO À TERRA

Em caso de falha ou avaria, a ligação à terra fornece um caminho de menor resistência para a corrente eléctrica e reduz o risco de choque eléctrico. Este produto está equipado com um cabo eléctrico e possui um equipamento condutor e uma fi cha de ligação à terra. A fi cha deve ser inserida numa tomada correspondente devidamente instalada e com ligação à terra em conformidade com todos os códigos e regulamentos locais.

Não modifi que a fi cha fornecida. Se esta não se adequar à tomada, peça a um electricista qualifi cado que instale uma tomada apropriada. Ligação inadequada de condutor de ligação à terra do equipamento pode resultar num risco de choque eléctrico. O condutor com isolamento que tenha uma superfície externa verde ou sem riscas amarelas é o condutor de ligação à terra do equipamento. Se for necessária a reparação ou substituição do cabo ou ficha eléctricos, não ligue o condutor de ligação à terra do equipamento a um terminal ligado.

Faça reparar imediatamente um cabo danifi cado ou desgastado.

ACESSÓRIOS RECOMENDADOS

⚠ AVISO

Utilize apenas acessórios recomendados para este produtos.

Siga as instruções que acompanham os acessórios. A utilização de acessórios inadequados pode causar perigos.

- Broca de perfuração
- Grampos de sujeição
- Tornos de berbequim de coluna

⚠ AVISO

Utilize apenas acessórios concebidos para este produto para evitar lesões resultantes de arremesso de peças partidas ou peças de trabalho.

Não utilize quaisquer acessórios até ler lido completamente as instruções ou o manual do operador para esse acessório.

CONTEÚDO DA CAIXA DE CARTÃO

DESEMBALAR E VERIFICAR CONTEÚDO

⚠ AVISO

Se qualquer peça estiver danificada ou em falta, não ligue o produto até essa peça ter sido substituída e a montagem estar completa.

Desembale cuidadosamente o produto e todas as suas partes e compare com a lista abaixo.

Para proteger o produto da humidade, foi aplicado um revestimento de protecção à superfícies maquinadas. Remova esta protecção com um pano suave humedecido com querosene ou WD-40.

⚠ AVISO

Para evitar incêndio ou reação tóxica, nunca utilize gasolina, nafta, acetona, solvente para verniz ou solventes similares altamente voláteis para limpar o produto.

Aplice um revestimento de cera em pasta à mesa, coluna e superfícies maquinadas da base para prevenir a ferrugem. Limpe todas as peças cuidadosamente com um pano seco e limpo.

Artigo	Descrição	Quant.
1	Conjunto de cabeça	1
2	Bancada	1
3	Base	1

4	Grade	1
5	Conjunto de coluna	1
6	Anel de grade	1
7	Pegas de alimentação	3
8	Engrenagem sem-fim	1
9	Pega de bloqueio de mesa	1
10	Pega de manivela de mesa	1
11	Parafusos hexagonais	3
12	Mandril	1
13	Chave de aperto	1
14	Chave hexagonal 4 mm	1
15	Chave hexagonal 3 mm	1

MONTAGEM E AJUSTES

⚠ AVISO

Para sua própria segurança, nunca ligue a ficha a uma tomada de alimentação até todos os passos da montagem estarem concluídos e ter lido e compreendido as instruções de funcionamento e segurança.

⚠ AVISO

Trata-se de uma ferramenta elétrica pesada e deve ser elevada com a ajuda de duas pessoas ou mais para a montagem em segurança da mesma.

MONTAGEM DA COLUNA À BASE

Ver figura 5.

1. Coloque a base numa superfície plana e estável.
2. Alinhe os orifícios de parafusos na montagem da coluna com os orifícios de parafusos na base.
3. Coloque um parafuso hexagonal em cada orifício.
4. Aperte cada parafuso hexagonal utilizando uma chave ajustável.

INSTALAÇÃO DA MESA AO CONJUNTO DE COLUNA

Veja as figuras 6 - 10.

1. Insira a pega de bloqueio do suporte da mesa no orifício roscado na parte posterior do suporte da mesa.

NOTA: Instale a pega da direita para a esquerda, de forma a entrar no lado não-roscado do suporte da mesa primeiro.

2. Alimente a engrenagem sem-fim através do orifício de manivela da mesa no suporte da mesa. Certifique-se de que a engrenagem sem-fim está bem ligada com a engrenagem interior.

NOTA: Não remova a lubrificação da engrenagem

sem-fios.

- Alimente a grade através do orifício no suporte da mesa de forma a que os dentes estejam virados para fora e extremidade comprida suave para cima. A engrenagem sem-fim deve encaixar na grade.
- Utilizando as duas mãos, faça deslizar a mesa e a grade totalmente para a coluna até a parte inferior da grade estar posicionada no ar da base e contra a coluna.
- Aperte a pega de bloqueio de suporte da mesa para fechar o conjunto da mesa à coluna.
NOTA: Não aperte demasiado.
- Faça deslizar o aro da grade, lado do bisel para baixo, sobre a coluna até que o lado biselado encaixe com a extremidade biselada da grade.
- Aperte o parafuso de fixação no aro utilizando a chave hexagonal. Para evitar danos na coluna ou no aro, não aperte demasiado o parafuso de fixação.
NOTA: Deve conseguir deslocar a mesa de lado a lado.
- Instale a pega de manípulo da mesa sobre a extremidade da engrenagem sem-fim para que a parte plana do eixo alinhe com o parafuso de fixação.
- Aperte o parafuso de fixação utilizando a chave hexagonal.

INSTALAÇÃO DA CABEÇA

Ver figura 11.

⚠ AVISO

A cabeça do Berbequim de Coluna é pesada e deve ser elevada com a ajuda de duas pessoas para uma montagem em segurança da cabeça na coluna.

- Posicione a cabeça na coluna com o mandril posicionado sobre a mesa.
NOTA: O produto é pesado. Procure ajuda quando necessário.
- Deslize a cabeça para baixo tanto quanto for possível. Alinhe o conjunto da mesa com a base e depois aperte os parafusos de fixação de duas cabeças com a chave hexagonal.

INSTALAÇÃO DE PEGAS DE ALIMENTAÇÃO

Ver figura 12.

- Fixe as três pegas de alimentação aparafusando-as aos orifícios roscados no conjunto de cubo.

INSTALAÇÃO DO MANDRIL

Veja as figuras 13 - 15.

⚠ AVISO

Antes de qualquer montagem do mandril à cabeça do berbequim de coluna, limpe todas as superfícies de contacto com um produto não baseado em petróleo. Todo o óleo ou lubrificante utilizado na embalagem destas peças devem ser removidos ou o mandril poderá ficar solto durante o funcionamento.

- Limpe o orifício afunilado do mandril com um pano limpo e um produto de limpeza que não seja à base de álcool. Limpe todos os resíduos de óleo e sujidade cuidadosamente.
- Limpe as superfícies afuniladas no eixo da maneira descrita acima.
NOTA: Certifique-se de que não existem partículas estranhas coladas às superfícies. O pedaço mais pequeno de sujidade ou de óleo presentes em qualquer destas superfícies vai evitar que o mandril assente devidamente. E vai causar que o mandril e a broca oscilem.
- Posicione o mandril no eixo. O mandril deve encontrar-se totalmente aberto para evitar o dano das mandíbulas.
- Desbloqueie o fecho de suporte da mesa e afaste a mesa do fundo do mandril.
- Insira o mandril no eixo, empurrando para cima.
- Utilizando um pedaço de desperdício de madeira para proteger o mandril, bata com firmeza para colocar o mandril no local utilizando um macete ou martelo.

⚠ CAUTELA

Risco de dano na propriedade. Para evitar danos no mandril, nunca coloque o mandril no eixo com um martelo de metal.

REMOVER O MANDRIL

- Gire as pegas de inserção para baixar o mandril para a posição mais baixa.
- Coloque um separador de junta esférica (não apresentado) acima do mandril e bata levemente com um martelo ou macete de borracha para fazer com que o mandril saia do eixo.
NOTA: Nunca bata no mandril directamente com o martelo ou macete de borracha.

NOTA: Para evitar possíveis danos no mandril, eleve as mandíbulas totalmente antes e esteja preparado para apanhar o mandril conforme ele sair.

MONTAGEM DO BERBEQUIM DE COLUNA EM SUPERFÍCIE DE TRABALHO

Ver figura 16.

Se o produto se destinar a ser utilizado num local permanente, fixe-o a uma bancada ou outra superfície estável.

Se o produto for para ser utilizado como ferramenta portátil, fixe-o permanentemente a um quadro de

montagem que possa ser facilmente grampeado a uma bancada ou outra superfície estável. O quadro de montagem deve ser de tamanho suficiente para evitar inclinação durante a utilização do produto. Qualquer compensado ou aglomerado de boa qualidade com uma espessura de 19 mm (3/4") é recomendado.

1. Marque orifícios na superfície onde o berbequim de coluna vai ser montado utilizando orifícios na base do berbequim de coluna como modelo para padrão de orifícios.
2. Perfure orifícios através da superfície de montagem.
3. Coloque o berbequim de coluna na superfície de montagem, alinhando os orifícios na base com os orifícios perfurados na superfície de montagem.
4. Insira os parafusos (não incluídos) e aperte-os com firmeza com arruelas de pressão e porcas sextavadas (não incluídas).

Se forem utilizados parafusos retardadores, certifique-se de que são suficientemente longos para passarem através dos orifícios no berbequim de coluna e o material em que o berbequim está a ser montado. Se forem utilizados parafusos de máquina, certifique-se de que são suficientemente longos para passarem pelos orifícios no berbequim de coluna, o material a ser montado e as arruelas de pressão e porcas sextavadas.

NOTA: Todos os parafusos devem ser inseridos a partir do topo. Instale as arruelas de pressão e as porcas sextavadas pela parte inferior da bancada.

Assim que o produto estiver montado de forma segura numa superfície resistente:

1. Verifique se existe vibração quando o motor está LIGADO.
2. Ajuste e volte a apertar o equipamento de montagem se necessário.
3. Verifique a montagem da mesa para assegurar um movimento suave ascendente e descendente na coluna.
4. Verifique se o eixo se desloca suavemente.

ARMAZENAMENTO DA CHAVE DE MANDRIL

Ver figura 17.

O suporte de armazenagem para a chave do mandril está localizado no lado direito do produto.

FURAÇÃO DE BISEL

Ver figura 18.

NOTA: Foi incluída uma escala de biseil para medir aproximadamente os ângulos de biseil. Se for necessária mais precisão, deve ser utilizado um esquadro ou outra ferramenta de medição para posicionar a mesa. Para utilizar a escala de biseil:

1. Aperte a porca no pino de bloqueio utilizando uma chave de 10 mm ou ajustável para a direita para libertar o pino da sua mesa de apoio. Este pino será necessário quando colocar a mesa de novo na definição dos 0 graus do suporte da mesa. Não o deixe fora.
2. Solte o parafuso grande de bloqueio de biseil da mesa de cabeça hexagonal utilizando uma chave

ajustável ou de 17 mm.

3. Incline a mesa, alinhe a medição de ângulo desejada para a linha de zero oposta à escala.
4. Aperte o parafuso de bloqueio de biseil de mesa
5. Para voltar a mesa à sua posição original, desaperte o parafuso de bloqueio do biseil do cabo. Volte a colocar a posição na posição 0°.
6. Volte a colocar a porca no pino de bloqueio na extremidade exterior das roscas. Bata levemente no pino de bloqueio, utilizando um macete de borracha, até está encaixado no orifício do suporte da mesa. Aperte a porca manualmente.

NOTA: A mesa foi removida da ilustração por questões de clareza.

⚠ AVISO

Para evitar lesões pessoais, desligue sempre a ficha da fonte de alimentação quando realizar quaisquer ajustes.

EIXO / COLUNA

Ver figura 20.

Rode as pegas manuais para a esquerda para fazer descer o eixo para a sua posição mais baixa. Segure o mandril e retire pela frente. Se existir folga suficiente, prossiga com os seguintes ajustes:

1. Desaperte a porca de segurança localizada do lado direito do produto, utilizando uma chave de 10 mm.
2. Gire o parafuso para a direita para eliminar a folga, utilizando uma chave de fendas, mas sem obstruir o movimento ascendente do eixo. (É normal uma pequena folga no eixo.)
3. Aperte a porca de segurança.

MOLA DE RETORNO DE COLUNA

Ver figura 21.

A mola de retorno de coluna pode necessitar de ajuste se a velocidade de retorno da coluna for demasiado rápida ou demasiado lenta. Esta mola encontra-se localizada do lado direito da cabeça de perfuração.

1. Baixe a mesa para espaço adicional.
2. Coloque uma chave de fendas no entalhe frontal inferior da tampa da mola. Mantenha-a no local ao libertar e remover apenas a contraporca exterior, utilizando uma chave de 10 mm.
3. Com a chave de fendas ainda no entalhe, solte a porca interior apenas até o entalhe se soltar da saliência na cabeça do berbequim de coluna.

NOTA: Não remova a porca interior, porque a mola vai forçosamente desenrolar.

4. Gire cuidadosamente a tampa da mola para a esquerda com a chave de fendas, ligando o próximo entalhe.
5. Baixe a coluna para a posição mais baixa rodando a pega de alimentação para a esquerda enquanto mantém a tampa da mola em posição.
6. Se a coluna se mover para cima e para baixo como deseja, aperte a porca interior contra a tampa da mola e a tampa da mola com a chave. Se estiver

demasiado solta, repita os passos 3 a 5 para apertar. Se estiver demasiado apertada, inverta os passos 4 e 5.

- Fixe a porca exterior contra a porca interior com a chave.

NOTA: Não aperte demasiado pois restringirá o movimento da coluna.

TENSÃO DA CORREIA

Ver figura 22.

- Abra a tampa da polia.
- Para soltar a tensão da correia, gire o manípulo de bloqueio de tensão da correia do lado direito da cabeça do berbequim de coluna para a esquerda.
- Puxe o motor para a frente do produto para soltar a tensão da correia.
- Posicione a correia nos passos da polia corretos para a velocidade desejada.
- Afaste o motor da cabeça do berbequim de coluna até a correia estar devidamente tensionada.

NOTA: A tensão da correia está correta se a correia desviar aproximadamente 13 mm (1/2") quando pressionada no centro.

- Aperte o manípulo de bloqueio de tensão da correia para fixar o motor em posição. Feche a tampa da polia.

VERIFICAR/AJUSTAR O ALINHAMENTO DO LASER

O produto encontra-se equipado com Laser Trac®.

Os feixes de laser vão permitir-lhe prever o caminho da broca na peça de trabalho a ser perfurada antes de começar a sua operação.

⚠ AVISO

Evite contacto ocular direto

É radiada uma luz de laser quando o guia de laser é ligado. Evite contacto ocular direto Antes de fazer quaisquer ajustes, desligue sempre o cabo eléctrico da fonte de alimentação.

- Um ponteiro de laser não é um brinquedo e não deve ser manuseado por crianças. A utilização deste dispositivo pode conduzir a lesões oculares irreparáveis.
- É proibido qualquer ajuste para aumentar a potência do laser.
- Quando utilizar o ponteiro de laser, não aponte o feixe de laser para as pessoas e/ou superfícies refletoras. Mesmo um feixe de laser de baixa intensidade pode causar danos oculares. Não olhe directamente para o feixe laser.
- O ponteiro de laser não inclui componentes de manutenção. Nunca abra o compartimento para reparação ou ajustes.
- Etiqueta de aviso para laser:



- Não retire nem torne ilegíveis nenhuns dos rótulos de aviso. A remoção de rótulos aumenta o risco de exposição à radiação.
- CAUTELA:** A utilização de comandos ou ajustes ou a execução de procedimentos outras que os especificados aqui pode ocasionar uma exposição perigosa à radiação.
- Não tente reparar ou desmontar o nível de laser. Se pessoas não qualificadas tentarem reparar este produto de laser, podem daí resultar sérios danos. Qualquer reparação necessária a este produto de laser deve ser realizado por pessoal do serviço de clientes autorizado.
- CAUTELA:** A utilização de instrumentos ópticos com este produto pode aumentar os danos oculares.

⚠ AVISO

Não utilize vidros escurecidos para aumentar a luz do laser. Os vidros escurecidos vão reduzir a visão global para a aplicação e interferir com o normal funcionamento da ferramenta.

⚠ AVISO

Radiação do laser. Nunca direcione um feixe para uma peça de trabalho com uma superfície refletora. Folhas de aço brilhantes refletoras ou superfícies refletoras similares não são recomendadas para utilização de laser. Uma superfície reflectora poderá reflectir o raio laser de volta para o operador ou para outras pessoas.

AJUSTE DAS LINHAS DE LASER

Ver figura 23.

Verificar o alinhamento do laser para assegurar que o cruzamento das linhas de laser está precisamente no local onde a broca encontra a peça de trabalho. Se não está, as linhas de laser devem ser ajustadas utilizando os botões de ajuste do laser localizados nos lados opostos do conjunto da cabeça.

- Marque um "X" num pedaço de desperdício de madeira.
- Insira uma pequena broca no mandril e alinhe a sua extremidade no cruzamento das linhas do "X".
- Fixe o quadro à mesa.
- Ligue o guia do laser e verifique se as linhas de laser estão alinhadas com o "X" na peça de trabalho.
- Se as linhas de laser não estiverem alinhadas, desaperte os parafusos de fixação em cada um dos compartimentos do laser com uma chave hexagonal e rode os botões de ajuste do laser até as linhas se encontrarem no centro do "X". Volte a apertar os parafusos de fixação para fixar.

OPERAÇÃO

⚠ AVISO

Não permita que a familiaridade com as ferramentas o deixem descuidado. Nunca se esqueça que basta um segundo de falta de atenção para se ferir gravemente.

⚠ AVISO

Use sempre óculos de protecção ou óculos de segurança com protecções laterais enquanto opera ferramentas. A falta de cumprimento desta instrução pode ocasionar a projecção de corpos estranhos para os olhos e provocar lesões oculares graves.

⚠ AVISO

Não utilize peças nem acessórios diferentes dos recomendados pelo fabricante para esta ferramenta. A utilização de peças ou acessórios não recomendados pode ocasionar riscos de ferimentos graves.

⚠ AVISO

Para evitar possíveis danos, mantenha a protecção fechada e no local enquanto a ferramenta está em funcionamento.

MUDANÇA DE VELOCIDADES E COLOCAÇÃO DE CORREIA

Ver figura 24.

A velocidade do eixo é determinada pela localização da correia nos polias no conjunto da cabeça. O quadro de velocidade localizado no interior da tampa do conjunto da cabeça apresenta a velocidade recomendada e a configuração e a velocidade por cada operação de perfuração.

Para alterar a configuração da polia:

1. Levante a tampa de polia
2. Desaperte o parafuso de tensão.
3. Remova a correia.
4. Reposicione a correia de acordo com o quadro de velocidade.
5. Volte a apertar o parafuso de tensão.

NOTA: Consulte a secção "Velocidade de Perfuração Recomendada" relativamente a recomendações de dimensão de brocas e velocidade de perfuração.

VELOCIDADE DE PERFURAÇÃO RECOMENDADA

QUADRO DE VELOCIDADE DE
PERFURAÇÃO(RPM)

Diâmetro da broca (Polegadas)	Material		
	Madeira Plásticos	Alumínio Zinco Bronze	Ferro Aço
1/16	2430	2430	2430
1/8			1800
3/16			1300
1/4	1800	1300	800
5/16			800
3/8	1300	800	510
1/2	1800	800	510

Interruptor desligado/ligado

Ver figura 25.

Para ligar a ferramenta:

1. Prima o botão ON (I).

Para desligar a ferramenta:

1. Prima o botão OFF (O).

⚠ AVISO

Certifique-se de que a peça de trabalho não está em contacto com a broca antes de ligar o interruptor para fazer o arranque do produto. O não cumprimento desta advertência pode fazer com que a peça de trabalho seja projectada na direcção do operador e provoque lesões pessoais graves.

INSTALAÇÃO E REMOÇÃO DE BROCAS

Ver figura 26.

1. Desligar o produto.
2. Abra ou feche as buchas até um ponto no qual a abertura seja ligeiramente mais larga que a broca que pretende utilizar.
3. Insira a broca no mandril à extensão completa dos mordentes.

⚠ AVISO

Não insira a broca nos mordentes do mandril e aperte conforme apresentado na Figure 19. Isto pode causar que a broca seja arremessada do produto, resultando em possíveis lesões pessoais graves ou danos para o mandril.

4. Aperte os mordentes do mandril com segurança utilizando a chave do mandril fornecida. Não utilize uma chave de parafusos para apertar ou desapertar as buchas.
5. Remova a chave do mandril.
6. Para remover a broca, inverta os passos apresentados acima.



▲ AVISO

Para evitar danos ou acidentes originados pela ejeção forçada da chave do mandril do mandril quando a alimentação está em "ON", utilize apenas a chave de mandril auto-ejetora fornecida com este berbequim de coluna. Verifique sempre e remova a chave do mandril antes de ligar a alimentação para "ON". Coloque a chave de mandril no seu suporte de armazenagem quando não está em utilização.

extremidade da broca com óleo de perfuração de metal para evitar o sobreaquecimento.

PARA SUA PROTECÇÃO

▲ AVISO

Para evitar ser puxado para a máquina, não utilize vestuário largo, luvas, gravatas ou bijuteria. Prenda sempre o cabelo comprido.

PERFURAÇÃO A UMA PROFUNDIDADE ESPECÍFICA

Perfuração de um orifício cego (não totalmente através da peça de trabalho) a uma determinada profundidade pode ser feita de duas maneiras:

Método da peça de trabalho

Ver figura 27.

1. Marcar a profundidade na lateral da peça.
2. Com o interruptor em "OFF", coloque a broca para baixo até a extremidade estar na marca.
3. Segurar a pega de alimentação na sua posição.
4. Faça girar a porca inferior para baixo em contacto com a barreira de profundidade na cabeça.
5. Gire a porca superior para baixo e aperte contra a porca inferior.
6. A broca vai agora parar após percorrer a distância marcada na peça de trabalho.

Método da escala de profundidade

Ver figura 28.

NOTA: Com o mandril na posição superior, a extremidade da broca deve estar apenas ligeiramente acima do topo da peça de trabalho.

1. Com o interruptor em "OFF", gire a peça de alimentação até o ponteiro apontar para a profundidade desejada na escala de profundidade e segure a pega de alimentação nessa posição.
2. Faça girar a porca inferior para baixo em contacto com a barreira de profundidade.
3. Gire a porca superior contra a barreira inferior e aperte.
4. A broca vai parar após percorrer a distância selecionada na escala de profundidade.

Perfuração de orifício

1. Utilizando um perfurador central ou um prego afiado, faça uma reentrância na peça de trabalho que deseje perfurar.
2. Ligue o guia do laser e alinhe as linhas de laser com a reentrância.
3. Ligue o interruptor de alimentação e puxe para baixo as pegas de alimentação com esforço suficiente apenas para permitir o corte pela broca.

A inserção demasiado rápida pode causar o deslize da correia ou broca, rasgo da peça de trabalho ou quebra da broca.

Quando perfurar metal, será necessário lubrificar a

1. Se alguma peça do seu produto estiver em falta, em mau funcionamento, danificada ou partida, pare imediatamente o funcionamento até que a peça seja devidamente reparada ou substituída.
2. Nunca coloque os seus dedos numa posição em que possam entrar em contacto com a broca ou outra ferramenta cortante. A peça de trabalho pode inesperadamente deslocar-se ou a sua mão pode escorregar.
3. Para evitar que a peça seja arrancada das suas mãos, arremessada ou torcida pela ferramenta ou despedaçada, apoio sempre devidamente a sua peça conforme se segue:
 - Posicione sempre o material de apoio (utilizado por debaixo da peça de trabalho) para que entre em contacto com o lado esquerdo da coluna.
 - Sempre que possível, posicione a peça para contactar o lado esquerdo da coluna. Se for demasiado curto ou a mesa estiver inclinada, fixe firmemente à mesa, utilizando as ranhuras da mesa.
 - Quando utilizar um torno de pressão de perfuração (não incluído), fixe-o sempre à mesa.
 - Nunca faça qualquer trabalho de mãos livres (a segurar a peça à mão em vez de a apoiar na mesa), excepto no caso de polimento ou areamento.
 - Bloqueie de forma segura a cabeça e apoio à coluna, o braço da mesa ao suporte e a mesa ao braço da mesa, antes de colocar em funcionamento o berbequim de coluna.
 - Nunca movimento a cabeça ou mesa enquanto a ferramenta estiver em funcionamento.
 - Antes de iniciar qualquer operação, sacuda o interruptor de motor para se certificar que a broca ou outra ferramenta de corte não oscila ou causa vibração.
 - Se a peça ultrapassa a mesa de forma a poder cair ou a inclinar se não for suportada, fixe-a à mesa ou faculte apoio auxiliar.
 - Utilize fixações para operações não habituais para segurar, guiar e posicionar adequadamente a peça de trabalho.
 - Utilize a velocidade do mandril recomendada para a operação específica e material da peça de trabalho. Verifique o painel sobre a tampa da polia interior ou consulte a secção "Velocidade de Perfuração Recomendada" para informação de velocidade de perfuração. Relativamente aos acessórios, consulte as instruções facultadas

EN
FR
DE
ES
NL
PT
DA
SV
FI
NO
RU
PL
CS
HU
RO
LV
LT
ET
HR
SL
SK
BG
UK
TR
EL



- com cada acessório.
4. Nunca suba para a mesa do berbequim de coluna, pois poderá partir ou puxar a ferramenta na sua totalidade contra si.
 5. Desligue a alimentação na tomada quando deixar o produto.
 6. Para evitar lesões decorrentes de trabalho arremessado ou contacto da ferramenta, não efetue trabalho de disposição, montagem ou configuração na mesa enquanto a ferramenta de corte estiver em rotação.

POSICIONAMENTO DA MESA E DA PEÇA DE TRABALHO

Ver figura 29-30.

1. Fixe a mesa à coluna numa posição de forma a que a broca fica apenas acima do topo da peça de trabalho.
2. Coloque sempre um material de apoio (desperdício de madeira) na mesa por debaixo da peça de trabalho. Esta forma vai evitar a fragmentação ou a rebarba pesada na parte inferior da peça. Para evitar que o material de apoio gire, o mesmo deve estar posicionado contra o lado esquerdo da coluna.
3. Utilize os meios de apoio adequados para suspender a peça de trabalho.

⚠ AVISO

Para evita que a peça de trabalho ou o material de apoio seja arremessado durante a perfuração, DEVE posicionar a peça de trabalho contra o lado esquerdo da coluna. Se a peça ou o material de apoio não for suficientemente longo para alcançar a coluna, fixe-o à mesa para segurar a peça. A incapacidade de fixar a peça de trabalho pode resultar em danos pessoais.

⚠ AVISO

Pode ser fixado ou aparafusado um torno à mesa para evitar danos decorrentes de uma peça a girar, ou torno danificado ou pedaços de broca.

FIXAR UM LOCAL DE PERFURAÇÃO

1. Utilizando um perfurador central ou um prego afiado, faça uma reentrância na peça de trabalho que vai perfurar.
2. Ligue o guia do laser e alinhe as linhas de laser (x) com a reentrância antes de ligar a broca (ON).

INCLINAÇÃO DA MESA

Ver figura 31.

NOTA: O apoio da mesa tem um orifício pré-perfurado com um pino de bloqueio inserido para bloquear a mesa num ângulo de bisel 0° pré-perfurado.

1. Aperte a porca no pino de bloqueio utilizando uma chave de 10 mm ou ajustável para a direita para libertar o pino da mesa de apoio. Este pino será necessário quando colocar a mesa de novo na definição dos 0 graus do suporte da mesa.

2. Solte o parafuso grande de bloqueio de bisel da mesa de cabeça hexagonal utilizando uma chave ajustável ou de 17 mm.

⚠ AVISO

Para evitar danos, certifique-se de que segura a mesa e o conjunto do braço da mesa, para que não gire ou incline.

3. Incline a mesa, alinhe a medição de ângulo desejada para a linha de zero oposta à escala.
4. Aperte o parafuso de bloqueio de bisel de mesa
5. Para voltar a colocar a mesa na sua posição original, desaperte o parafuso de bloqueio do bisel da mesa. Volte a colocar a posição na posição 0°.
6. Volte a colocar a porca no pino de bloqueio na extremidade exterior das roscas. Bata levemente no pino de bloqueio até estar encaixado no orifício do suporte da mesa. Aperte a porca manualmente.

⚠ AVISO

Para evitar lesões decorrentes do rotação ou partidela de ferramentas, fixe sempre as peças e o material de apoio de forma segura à mesa antes de colocar o berbequim de coluna.

INSERÇÃO

1. Puxe para baixo as pegas de alimentação com esforço suficiente apenas para permitir o corte pela broca.
2. A inserção demasiado lenta pode causar a queimadura da broca. A inserção demasiado rápida pode causar o deslize da correia ou broca, rasgo da peça de trabalho ou quebra da broca.
3. Quando perfurar metal, é necessário lubrificar a broca com óleo para evitar a queimadura da peça e da broca.

MANUTENÇÃO

⚠ AVISO

Para sua própria segurança, desligue e remova a ficha da fonte de alimentação antes da manutenção ou lubrificação do seu berbequim de coluna.

Sobre frequentemente, utilizando um compressor de ar ou um aspirador de poeira, quaisquer poeiras ou pedaços de metal que se acumule dentro do motor, compartimento de polia e superfície de trabalho. Use sempre óculos de segurança durante ao utilizar a ferramenta.

⚠ AVISO

Para evitar o perigo de incêndio ou choque elétrico, se o fio elétrico estiver desgastado ou cortado de qualquer forma, substitua-o imediatamente por um electricista ou técnico qualificado.

LUBRIFICAÇÃO

Todos os rolamentos do berbequim de coluna são embalados com lubrificação na fábrica. Não precisam de lubrificação adicional.

Lubrifique periodicamente o motor e bastidor, mecanismo de elevação da mesa do mandril, o bastidor (dentes) da coluna. Baixe o mandril e lubrifique a manga do mandril moderadamente a cada três meses.

TRANSPORTE E ARMAZENAMENTO

Ver figura 32.

Quando transportar o produto, desligue o cabo de alimentação e certifique-se de que todas as peças estão bem fixas. Consulte a Fig. 32 para identificar as áreas adequadas para levantar o produto.

Guarde o produto num local seguro que não seja acessível às crianças.

Limpe o produto com uma escova e um aspirador antes do seu armazenamento.

SÍMBOLO



Alerta de segurança



Marca europeia de conformidade



Marca britânica de conformidade



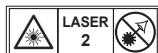
Marca ucraniana de conformidade



Marca de conformidade EurAsian



Por favor, leia atentamente as instruções antes de acender o produto.



Radiação do laser.
Não olhe directamente para o feixe.

Produto laser de Classe 2



Não expor à chuva nem utilizar em locais húmidos.



Use protecção para os ouvidos



Use sempre protecção para os olhos.



Capacidade do mandril



Curso do mandril



Alinhamento de perfuração



Diâmetro da broca (polegadas)



Madeira



Alumínio



Zinco



Latão

Ferro

Aço

Não elimine equipamentos elétricos e eletrónicos juntamente com resíduos municipais não separados. Os resíduos de equipamentos elétricos e eletrónicos devem ser recolhidos separadamente. Os resíduos de fontes de luz têm de ser retirados do equipamento. Consulte a sua autoridade local ou retalhista para obter aconselhamento sobre reciclagem e pontos de recolha. De acordo com os regulamentos locais, os retalhistas têm a obrigação de receber os resíduos de equipamentos elétricos e eletrónicos livres de encargos. O seu contributo para reutilizar e reciclar os resíduos de equipamentos elétricos e eletrónicos ajuda a reduzir a procura de matérias-primas. Os resíduos de equipamentos elétricos e eletrónicos contêm materiais recicláveis preciosos, que podem afetar negativamente o meio ambiente e a saúde humana se não forem eliminados de uma forma ambientalmente compatível. Elimine os dados pessoais dos equipamentos, se existirem.



RESOLUÇÃO DE PROBLEMAS

Problema	Possível causa	Solução
Funcionamento ruidoso.	<ol style="list-style-type: none"> 1. Tensão da correia incorreta. 2. Mandril seco. 3. Polia do mandril está solta. 4. Polia do motor está solta. 	<ol style="list-style-type: none"> 1. Ajustar a tensão. Consultar secção "Tensão da correia". 2. Lubrifique o mandril. Ver secção "Lubrificação". 3. Verifique estanqueidade da porca de retenção na polia, e aperte se necessário. 4. Aperte o parafuso de fixação na polia do motor.
Brocas queimadas.	<ol style="list-style-type: none"> 1. Velocidade incorrecta. 2. As aparas não saem pelo orifício. 3. Broca imprecisa. 4. Inserção demasiado lenta. 5. Não lubrificada. 	<ol style="list-style-type: none"> 1. Aumente velocidade. Consultar secção "Mudança de velocidades e substituição de correia". 2. Retirar a broca frequentemente para limpar as aparas. 3. Reafie a broca ou substitua com uma nova broca. 4. Inserção suficientemente rápida - deixe a broca cortar. 5. Lubrifique a broca. Consulte secção "Inserção".
Desfaça-se de orifício perfurado na ponta por broca não redondo.	<ol style="list-style-type: none"> 1. Madeira de grão grosso ou extensões de corte e/ou ângulos não iguais. 2. Broca curva. 	<ol style="list-style-type: none"> 1. Reafie a broca corretamente. 2. Substitua a broca.
Fragmentos de madeira na parte de baixo.	<ol style="list-style-type: none"> 1. Sem material de apoio por debaixo da peça de trabalho. 	<ol style="list-style-type: none"> 1. Utilize material de apoio. Consultar a secção "Funcionamento".
Peça solta-se da mão.	<ol style="list-style-type: none"> 1. A peça de trabalho não está apoiada ou fixada devidamente. 	<ol style="list-style-type: none"> 1. Apoie a peça de trabalho ou grampe-a. Consultar a secção "Funcionamento".
Broca dobra-se na peça.	<ol style="list-style-type: none"> 1. Peça de trabalho a beliscar a broca ou a causar excessiva pressão. 2. Tensão da correia indevida. 	<ol style="list-style-type: none"> 1. Apoie a peça de trabalho ou grampe-a. Consultar a secção "Funcionamento". 2. Ajustar tensão. Consultar secção "Tensão da correia".
Desgaste excessivo ou oscilação de broca.	<ol style="list-style-type: none"> 1. Broca curva. 2. Rolamentos gastos. 3. A broca não está devidamente instalada no mandril. 4. Mandril não devidamente instalado. 	<ol style="list-style-type: none"> 1. Utilize uma broca direita. 2. Substitua os rolamentos. 3. Instale broca devidamente. Consultar secção "Funcionamento" e "Montagem e ajustes". 4. Instale mandril devidamente. Consultar secção "Instalação do mandril".
A coluna regressa demasiado rapidamente ou demasiado lentamente.	<ol style="list-style-type: none"> 1. Tensão inadequada da mola da bobine. 	<ol style="list-style-type: none"> 1. Ajustar tensão da mola. Consultar secção "Mola de retorno de coluna".
O mandril não fica fixo ao eixo. Sai quando se tenta instalar.	<ol style="list-style-type: none"> 1. Sujidade, lubrificante ou óleo na superfície interior afunilada do mandril ou na superfície afunilada do mandril. 	<ol style="list-style-type: none"> 1. Utilizando um produto de limpeza sem álcool, limpe a superfície afunilada do eixo e do mandril para remover toda a sujidade, lubrificação e óleo. Consultar secção "Instalação do mandril".

BESKRIVELSE

1. Hovedsamling
2. Bord
3. Bundplade
4. Stang
5. Søjlesamling
6. Ring til stang
7. Fremføringshåndtag
8. Snekkegear
9. Låsehåndtag til arbejdsbord
10. Håndsving til arbejdsbord
11. Sekskantbolte
12. Spændepatron
13. Patronnøgle
14. 4 mm unbrakonøgle
15. 3 mm unbrakonøgle
16. Slotted skruetrækker
17. Svensknøgle
18. 12 mm skruenøgle
19. Hammer eller gummihammer
20. Kombinationskvadrat
21. Træstykke
22. Motor
23. Laserhoved
24. Spole/fjeder til returnering af hulaksel
25. Bordbeslag
26. Remskivedæksel
27. Tænd/Sluk-kontakt
28. Laserkontakt
29. Øvre beskyttelsesafsikrning
30. Monteringshul
31. Hovedlåseskrue
32. Låseknap til båndstrammer
33. Holder til patronnøgle
34. Spindelremskive
35. Motorremskive
36. Bordstøtte
37. Hul til håndsving til arbejdsbord
38. Søjlestøtte
39. Indstillingsskrue
40. Hoved
41. Hovedlåseindstillingsskrue
42. Gevindhuller
43. Navsamling
44. Spindel
45. Bolt x 2 (M12, medfølger ikke)
46. Låseskive x 4 (Dia. 12mm, medfølger ikke)
47. Gummispændeskive x 2 (Dia. 12mm, medfølger ikke)
48. Flad spændeskive x 2 (Dia. 12mm, medfølger ikke)
49. Kontramøtrik x 2 (M12, medfølger ikke)
50. Sekskantmøtrik x 2 (M12, medfølger ikke)
51. Arbejdsoverflade
52. Hældningsskala
53. Bordets facetlåsebolt
54. Møtrik
55. Låsemøtrik
56. Skruer
57. Nederste frontrille
58. Fjederhætte
59. Ydre kontramøtrik
60. Indre møtrik
61. Hak
62. Nav
63. Spændepatronkæber
64. Bor
65. Dybde
66. Markør til dybdemåling
67. Dybdeskala
68. Øvre møtrik
69. Nedre møtrik
70. Dybdestoptag
71. Arbejdsstykke/Emne

Ved udformningen af din søjleboremaskine har vi givet toprioritet til sikkerhed, gode resultater og driftssikkerhed.

TILTÆNK ANVENDELSESFORMÅL

Søjleboremaskinen er beregnet til at bore huller i træ, plastik, aluminium og stål.

Produktet er kun beregnet til at blive brugt af voksne, som har læst brugsanvisningen og forstået de involverede risici og farer.

Produktet er beregnet til at blive monteret på overfladen af en solid arbejdsbænk. Hvis bunden ikke er monteret sikkert, kan hele maskinen have en tendens til at vælte, glide eller forskubbe sig på den støttende overflade under betjening, hvilket øger risikoen for alvorlig personskade.

Produktet skal anvendes i tørre omgivelser med kraftigt omgivende belysning og tilstrækkelig ventilation.

Produktet er beregnet til privat brug og må kun bruges som beskrevet ovenfor og ikke til noget andet formål.

ALMINDELIGE SIKKERHEDSREGLER FOR ELVÆRKTØJET

⚠ ADVARSEL

Læs alle omhyggeligt alle advarsler, anvisninger og specifikationer, som følger med maskinen, og studer illustrationerne. Hvis nedenstående forskrifter ikke overholdes, kan der ske uheld og ulykker som brand, elektrisk stød og/eller alvorlige personskader.

Gem alle advarsler og brugsanvisninger til senere brug. Betegnelsen "eldrevet værktøj" i advarslerne henviser til jeres ledningsforbundne elværktøj eller batteridrevne (ledningfrie) elværktøj.

SIKKERHED I ARBEJDSOMRÅDET

- Hold arbejdsområdet rent og godt oplyst. Rodele eller mørke områder inviterer til ulykker.
- Brug ikke elværktøjer i eksplosive omgivelser som fx i nærheden af brandbar væske, gas eller støv. Elværktøjer udløser gnister, som kan antænde støvet eller dampene.
- Der må ikke være børn og tilskuere i nærheden, når et elværktøj anvendes. Distractioner kan medføre, at du mister kontrollen.

ELEKTRISK SIKKERHED

- Elværktøjets elstik skal passe til elnetkontakten. Elstikket må aldrig modificeres på nogen som helst måde. Undlad brug af adapterstik til jordede (stelforbundne) elværktøjer. Umodificerede elstik og passende elnetkontakter reducerer faren for elektrisk stød.
- Undgå kropskontakt med jordede eller stelforbundne overflader som fx rør, radiatorer, komfurer og køleskabe. Der er forøget risiko for

elektrisk stød, hvis din krop er forbundet med jord eller stel.

- Undlad at udsætte elværktøjer for regn eller fugt. Hvis der trænger vand ind i et elværktøj, øges faren for elektrisk stød.
- Undlad at misbruge ledningen. Ledningen må aldrig bruges til at bære eller trække i elværktøjet eller til at trække stikket ud. Hold ledningen på afstand af varme, olie og skarpe kanter eller bevægelige dele. Beskadigede eller sammenfiltrede ledninger øger faren for elektrisk stød.
- Når et elværktøj anvendes i det fri, skal der bruges en forlængerledning, der er egnet til udendørs brug. Brug af ledninger beregnet til udendørs brug reducerer faren for elektrisk stød.
- Hvis man er nødt til at bruge elværktøjer i fugtige omgivelser, skal strømforsyningen have en fejlstrømsafbryder (RCD-afbryder). Brug af fejlstrømssikring reducerer faren for elektrisk stød.

PERSONLIG SIKKERHED

- Vær årvågen, hold øje med, hvad du gør, og brug sund fornuft, når du benytter et værktøj. Undlad at bruge værktøjet, hvis du er træt eller påvirket af narkotika, alkohol eller medikamenter. Et øjeblikvis uopmærksomhed under brug af motoriserede værktøjer kan medføre alvorlige personskader.
- Bær personlige værnemidler. Brug altid øjenværn. Personlige værnemidler som støvmaske, skridsikre sikkerhedssko, beskyttelseshjelm eller høreværn anvendt under de rette betingelser nedsætter antallet af personskader.
- Undgå utilsigtet start. Sørg for, at afbryderen er slukket (i off-position), før du tilslutter produktet til strømkilden og/eller batteriet eller løfter eller går rundt med produktet. Der kan ske en ulykke, hvis du går rundt med fingeren på afbryderen eller tilslutter strøm til elværktøj med afbryderen tændt.
- Fjern evt. skruenøgler, inden der tændes for elværktøjet. En efterladt skruenøgle fastgjort til en roterende del af elværktøjet kan medføre personskader.
- Læn dig aldrig for langt frem. Sørg for altid at have godt fodfæste og god balance. Dette giver bedre kontrol over elværktøjet i uventede situationer.
- Vær ordentligt klædt på. Bær ikke løstsiddende tøj eller smykker. Hold hår og beklædning på afstand af bevægelige dele. Løstsiddende tøj, smykker eller langt hår kan hænge fast i bevægelige dele.
- Hvis der medfølger anordninger til tilslutning af støvudsugning og støvopsamling, skal det sikres, at de tilsluttes og bruges korrekt. Brug af støvopsamling kan nedsætte faren forbundet med støv.
- Lad ikke fortroligheden, der er opstået ud fra hyppig brug af et redskab, påvirke dig til at være tilbagelænet og ignorere sikkerhedsprincipper. En skødesløs handling kan forårsage alvorlig

personskade inden for en brøkdæl af et sekund.

BRUG OG PLEJE AF ELVÆRKTØJ

- **Undlad at tvinge værktøjet. Brug det korrekte produkt til anvendelsesformålet.** Det korrekte produkt klarer opgaven bedre og sikrer i den hastighed, det er designet til.
- **Elværktøjet må ikke tages i brug, hvis TÆND/SLUK-kontakten ikke virker.** Et elværktøj, der ikke kan kontrolleres med TÆND/SLUK-kontakten, er farligt og skal repareres.
- **Fjern stikket fra strømkilden, og/eller fjern batteripakken fra elværktøjet, hvis den er aftagelig, før du foretager justeringer, udskifter tilbehør eller lægger elværktøjet væk.** Sådanne forebyggende sikkerhedsforanstaltninger reducerer risikoen for opstart af produktet ved et uheld.
- **Når elværktøjer ikke bruges, skal de opbevares utilgængeligt for børn; personer, som ikke er fortrolige med elværktøjet eller denne brugsanvisning, må ikke anvende elværktøjet.** Elværktøjer er farlige i hænderne på ukyndige brugere.
- **Vedligehold elværktøj og tilbehør. Kontrollér, om der er forkort indjusterede eller forbundne bevægelige dele, afbrækkede dele samt andre tilstande, som kan påvirke værktøjets funktionsmåde.** Hvis der konstateres skader, skal værktøjet repareres inden brug. Mange ulykker skyldes dårligt vedligeholdte værktøjer.
- **Hold skæreværktøjer skarpe og rene.** Korrekt vedligeholdte skæreværktøjer med skarpe ægge er mindre tilbøjelige til at sætte sig fast og er nemmere at styre.
- **Brug produktet, tilbehør og bits til værktøj mv. i overensstemmelse med disse anvisninger, idet der tages hensyn til arbejdsbetingelser og arbejdet, der skal udføres.** Brug af elværktøjet i strid med det tiltænkte anvendelsesformål kan medføre farlige situationer.
- **Hold håndtag og gribeblader tørre og fri for olie og fedt.** Glatte håndtag og gribeblader muliggør ikke sikker håndtering og styring af værktøjet under ikke forventede situations.

SERVICE

- **Sørg for, at elværktøjet serviceres af en kvalificeret reparatør, som kun benytter sig af originale reservedele.** Herved garanteres sikkerheden for elproduktet.

SIKKERHEDSADVARSLER OM SØJLEBØREMASKINE

- **Boret skal fastgøres.** Et bor, der ikke er forsvarligt fastgjort, kan flytte sig eller vælte og forårsage personskade.
- **Arbejdsemnet skal opspændes eller fastgøres til arbejdsemnets understøtning.** Bor ikke stykker, der er for små til forsvarlig opspænding. Det

kan medføre personskade at holde emnet i hånden under bearbejdning.

- **Brug ikke handsker.** Handsker kan blive viklet ind i roterende dele eller spåner, så det fører til personskade.
- **Hold hænderne uden for boreområdet, mens værktøjet kører.** Kontakt med roterende dele eller spåner kan medføre personskade.
- **Sørg for, at tilbehøret kører inden tilførsel til arbejdsemnet.** Ellers kan tilbehøret køre fast i arbejdsemnet og forårsage uventet bevægelse af arbejdsemnet og tilskadekomst.
- **Når tilbehøret kører fast, skal du stoppe nedadgående tryk og slukke for værktøjet. Undersøg problemet, og iværksæt korrigerende handlinger for at fjerne årsagen til fastkørslen.** Fastkørsel kan forårsage uventet bevægelse af arbejdsemnet og tilskadekomst.
- **Undgå at generere lange spåner ved regelmæssigt at afbryde nedadgående tryk.** Skarpe metalspåner kan forårsage indfiltrering og tilskadekomst.
- **Fjern aldrig spåner fra boreområdet, mens værktøjet kører. Fjern spåner ved at fjerne tilbehøret fra arbejdsemnet, slukke for værktøjet og vente på, at tilbehøret ikke længere er i bevægelse. Brug værktøj som en børste eller krog til at fjerne spåner.** Kontakt med roterende dele eller spåner kan medføre personskade.
- **Tilbehør med hastighedsangivelser skal mindst svare til maks. hastigheden afmærket på elværktøjet.** Hvis tilbehøret anvendes med en hastighed, der er højere end dets mærkehastighed, kan det knække og rive sig løs.
- **Hold bits rene og skarpe.** Skarpe bits minimerer stop. Beskidte og sløve bits kan forårsage, at materialet kommer til at sidde skævt og øger risikoen for skader på operatøren.
- **Hold hænderne væk fra arbejdsområdet.** Hold hænderne væk fra bittens. Sørg for at løst tøj, smykker, langt hår, etc. ikke kommer i nærheden af maskinen. Det kan hænge fast i bittens.
- **Fastgør altid arbejdsemnet, eller hold det fast mod søjlen for at forhindre rotation.** Anvend aldrig din hånd til at holde genstanden, mens du borer.
- **Anvend anbefalet hastighed til boretilbehør og arbejdsemnemateriale.**
- **Sørg for, at borebit eller skæreværktøj er sikkert låst fast i patronen.**
- **Kontroller, at patronnøglen er fjernet fra patronen, før du tilslutter til en strømkilde eller tænder for strømmen.**
- **Justér arbejdsbordet eller dybdestoppet for at undgå, at du kommer til at bore i arbejdsbordet.** Afbryd strømmen, fjern borebittens og rengør arbejdsbordet, før du forlader maskinen.
- **Undgå direkte øjenkontakt, når du bruger laserstyringen.**

- **Sørg altid for, at laserstrålen er rettet mod en overflade uden en reflekterende overflade.** Skinnende reflekterende materialer er ikke velegnet til laserbrug.
- **Anbring aldrig dine fingre i en position, hvor de kan komme i kontakt med boremaskinen eller skæreværktøjer, hvis arbejdsområdet uventet skulle rykke på sig.**
- **Udfør aldrig nogen betjening ved at flytte hoved eller bord i forhold til hinanden.** Tænd ikke motorens kontakt, eller start ikke nogen betjening, før du har kontrolleret, at hovedet og bordets støttelåsehåndtag er strammet godt fast til søjlen, og hoved og bordets støttekraver er anbragt korrekt.
- **Før du slår strømkontakten til, skal du sikre, at afskærmningen til båndet er nede og at patronen er monteret ordentligt.**
- **Afbryd motorens kontakt, når du forlader produktet.** Undlad at udføre opstillings-, monterings- eller opsætningsarbejde på arbejdsbordet, mens skæreværktøjet roterer, er tændt eller tilsluttet en strømkilde.
- **Hvis strømforsyningskablet beskadiges, skal det udskiftes af producenten eller på et autoriseret servicecenter for at undgå risici.**
- **Opbevar ubenyttede værktøjer.** Når værktøjer ikke bruges, skal de opbevares på et tørt, aflåst sted utilgængeligt for børn.
- Det anbefales, at værktøjet altid er forsynet med en låkstørmsanordning på 30 mA eller mindre.
- **Gem denne brugsanvisning.** Slå hyppigt op i den, og brug den til at instruere andre. Hvis man låner dette værktøj ud, skal brugsanvisningen følge med.

LASERSIKKERHED

- Den anvendte laserstråling i produktet er klasse 2 med maksimal = 1 mW og 650 nm bølgelængder. Manglende overholdelse af disse regler kan medføre alvorlig personskade.
- Undlad at se ind i strålen under arbejdet.
- Ret ikke laserstrålen direkte mod øjnene på andre personer. Fare for alvorlige øjenskader.
- Anbring ikke laseren i en position, der kan bevirke, at andre bevidst eller ubevidst stirrer ind i laserstrålen.
- Undlad at bruge optiske værktøjer til visning af laserstrålen.
- Brug ikke laseren i nærheden af børn, og lad ikke børn bruge laseren.
- Forsøg ikke selv at reparere laseranordningen.
- Forsøg ikke selv at skifte nogen dele af laseranordningen.
- Reparation må kun udføres af laserproducenten eller en autoriseret servicerepræsentant.
- Udskift ikke laseren med en anden type.

UUNDGÆLIGE RISICI

Selv om produktet anvendes som foreskrevet, er det stadig umuligt at eliminere visse uundgåelige risikofaktorer fuldstændigt. Operatøren skal være særlig og ekstra opmærksomhed på disse punkter for at mindske risikoen for alvorlig personskade.

- Høreskader – Benyt passende høreværn, og begræns eksponering
- Øjenskader – Benyt beskyttelsesbriller under brug af dette produkt.
- Personskader forårsaget af vibration - Begræns eksponeringen og følg anvisningerne i Risikoreducering i denne manual.
- Fare for åndedrætsorganer pga. det støv, der dannes under brugen af produktet – Benyt passende værnemidler afhængig af den aktuelle støvtype.

⚠ ADVARSEL

Visse typer støv fra slibe-, save- og borearbejder eller andre bygningsarbejder indeholder kemiske stoffer, som kan virke kræftfremkaldende og forårsage medfødte skavanker eller frugtbarhedsproblemer. Nedenfor nogle eksempler på kemiske stoffer:

- bly i blybaseret maling,
- krystalkvarts, som findes i visse typer cement, mursten og andre murværksprodukter,
- arsenik og krom, som findes i visse kemisk behandlede trævarer.

Risikoen i forbindelse med disse produkter afhænger af, hvor tit man arbejder med dem. For at formindske faren for kemikaliepåvirkning skal der arbejdes i et lokale med god udluftning og anvendes godkendt sikkerhedsudstyr som støvmasker specielt konstrueret til at filtrere mikroskopiske partikler.

ELEKTRICITET

Brug kun 3-leder-forlængelsesledninger med 3-benede jordstik, og 3-polede stikkontakter der passer til produktets hanstik. Når der arbejdes med et elværktøj på betragtelig afstand af strømkilden, skal der bruges en forlængerledning, som er kraftig nok til fødnings af den nødvendige strømstyrke. En underdimensioneret forlængerledning vil bevirke et fald i ledningsspændingen med heraf følgende effekttab og overophedning af motoren.

Før du anvender en forlængerledning, skal du efterse den for løse eller eksponerede ledninger og ødelagt eller slidt isolering.

⚠ ADVARSEL

Hold forlængerledningen væk fra arbejdsområdet. Træk ledningen således, at den ikke kan hænge fast i skrammel, værktøj eller andre forhindringer under arbejdet med elværktøjet. Gør man ikke det, er der fare for alvorlige personskader.

⚠ ADVARSEL

Kontrollér forlængerledninger inden brug. Beskadede ledninger skal udskiftes omgående. Brug aldrig værktøj med beskadiget ledning, da kontakt med det beskadede område kan give elektrisk stød med alvorlig personskade til følge.

ELEKTRISK TILSLUTNING

Dette produkt drives af en præcisionsbygget elmotor. Den må kun sluttes til en strømforsyningskilde på 220~240V, AC (normal husholdningsstrøm), 50 Hz. Dette produkt må ikke betjenes med jævnstrøm (DC). Et betydeligt spændingsfald vil bevirke effekttab og overophedning af motoren. Hvis produktet ikke vil starte, når det sættes i en lysnetkontakt, skal man dobbelttjekke strømforsyningen.

HASTIGHED OG LEDNINGSFORBINDELSER

Denne hastighed er ikke konstant og aftager under belastning eller ved lavere spænding. Mht. spænding er elledningerne i værkstedet lige så vigtige som motorens nominelle ydelse. En ledning, der kun er beregnet til forsyning af lamper, vil ikke kunne trække en elværktøjsmotor ordentligt. En ledning, som er kraftig nok over en kort afstand, vil være for spinkel over en større afstand. En ledning, der kan forsyne ét elektrisk værktøj, er ikke nødvendigvis i stand til at forsyne to eller tre værktøjer.

JORDINGSVEJLEDNING

I tilfælde af driftsforstyrrelser eller motorsammenbrud tilvejebringer jordingen en sti med mindst modstand for elektrisk strøm for at begrænse risikoen for elektrisk stød. Dette produkt har en elledning med en apparatjordleder og et jordstik. Stikket skal sættes i en passende lysnetkontakt, som er korrekt installeret og jordet iht.

Det leverede stik må ikke ændres. Hvis stikket ikke passer til lysnetkontakten, skal man få en elektriker til at installere en passende kontakt. alle gældende lokale regler og forskrifter. Ukorrekt tilslutning af udstyrets jordleder kan resultere i risiko for elektrisk stød. Lederen med isolering, der har en ydre overflade, der er grøn med eller uden gule striber, er udstyrets jordleder. Hvis det er nødvendigt med reparation eller udskiftning af den elektriske ledning eller stik, må du ikke forbinde udstyrets jordleder med en strømførende terminal.

En beskadiget eller slidt ledning skal repareres eller udskiftes omgående.

ANBEFALET TILBEHØR**⚠ ADVARSEL**

Anvend kun tilbehør, der anbefales til dette produkt. Følg instruktionerne, der følger med tilbehøret. Brug af ukorrekt tilbehør kan forårsage ulykker.

- Bor
- Tilholdere
- Søjeboremaskinens skruestik

⚠ ADVARSEL

Anvend kun tilbehør, der er beregnet til dette produkt for at undgå skader fra ødelagte eller kastede dele og arbejdsemner.

Anvend ikke noget tilbehør, medmindre du har læst instruktionerne eller betjeningsvejledningen for det pågældende tilbehør fuldstændigt.

INDHOLD I KASSEN**UDPAKNING OG KONTROL AF INDHOLD****⚠ ADVARSEL**

Hvis der mangler nogen dele, eller de er beskadige, må du ikke sætte produktet i stikkontakten, indtil den manglende eller beskadigede del er erstattet, og monteringen er komplet.

Pak forsigtigt produktet og alle dets dele ud, og afstem med listen herunder.

For at beskytte produktet mod fugt er der kommet et beskyttelseslag på maskinens overflader. Fjern denne belægning med en blød klud fugtet med petroleum eller WD-40.

⚠ ADVARSEL

For at undgå brand eller en giftig reaktion må du aldrig anvende benzin, nafta, acetone, lakfortynder eller tilsvarende meget flygtige opløsningsmidler til at rengøre produktet med.

Kom et lag pastavoks på arbejdsbordet, søjlen og maskinens overflader på base for at forhindre rust. Tør alle dele grundigt med en ren, tør klud.

Artikel	Beskrivelse	Ant.
1	Hovedsamling	1
2	Bord	1
3	Bundplade	1
4	Stang	1

5	Søjlesamling	1
6	Ring til stang	1
7	Fremføringshåndtag	3
8	Snekkegear	1
9	Låsehåndtag til arbejdsbord	1
10	Håndsving til arbejdsbord	1
11	Sekskantbolte	3
12	Spændepatron	1
13	Patronnøgle	1
14	4 mm unbrakonøgle	1
15	3 mm unbrakonøgle	1

MONTERING OG JUSTERINGER

⚠ ADVARSEL

Før din egen sikkerhed må du aldrig sætte stikket i et strømkildeudtag, før alle monteringsstrin er færdige, og du har læst og forstået sikkerheds- og betjeningsanvisningerne.

⚠ ADVARSEL

Produktet er et tungt elværktøj og bør løftes med hjælp fra to eller flere personer for at blive monteret sikkert.

MONTERING AF SØJLEN TIL BASEN

Se figur 5.

1. Anbring basen på en jævn, stabil overflade.
2. Juster skruehullerne i søjlesamlingen ind efter skruehullerne i basen.
3. Kom en sekskantbolt i hvert hul.
4. Stram hver sekskantbolt ved hjælp af en justerbar skrue nøgle.

MONTERING AF BORD TIL SØJLESAMLING

Se figur 6 - 10.

1. Sæt låsehåndtaget til bordbeslaget i gevindhullet bag på bordbeslaget.
BEMÆRK: Installer håndtaget fra venstre til højre, så det går først ind i den side, hvor der ikke er et gevindhul på bordbeslaget.
2. Før snekkegearet gennem bordets krumpaphul i bordbeslaget. Sørg for, at snekkegearet griber ind i det indvendige gear.
BEMÆRK: Fjern ikke smøremidlet fra snekkegearet.
3. Før stangen gennem hullet i bordbeslaget, så tænderne vender udad og den længere glatte ende vender opad. Snekkegearet bør få kontakt med stangen.
4. Med begge hænder skal du lade hele bordet og

stangen glide på søjlen, indtil bunden af stangen er placeret i basens krave og mod søjlen.

5. Stram låsehåndtaget til bordbeslaget for at låse bordsamlingen fast til søjlen.
BEMÆRK: Stram ikke for meget.
6. Lad ringen til stangen glide over søjlen med facetsiden nedad, indtil den facetslebne side får kontakt med den facetslebne ende af stangen.
7. Stram indstillingsskruen i kraven med en unbrakonøgle. For at undgå skade på søjle eller krave må du ikke overstramme indstillingsskruen.
BEMÆRK: Du bør være i stand til at bevæge arbejdsbordet fra side til side.
8. Monter håndsvinget til arbejdsbordet over enden af snekkegearet, så den flade side af akslen er justeret ind efter indstillingsskruen.
9. Stram indstillingsskruen med unbrakonøglen.

MONTERING AF HOVEDET

Se figur 11.

⚠ ADVARSEL

Søjleboremaskinehovedet er tungt og bør løftes med hjælp fra to personer for sikkert at montere søjleboremaskinehovedet på søjlen.

1. Anbring hovedet på søjlen med patronen anbragt over arbejdsbordet.
BEMÆRK: Produktet er tungt. Få hjælp, når der er behov for det.
2. Lad hovedet glide ned, så langt det kan komme. Juster bordsamlingen ind efter basen, og stram derefter de to hovedindstillingsskruer med unbrakonøglen.

MONTERING AF INDFØRINGSHÅNDTAG

Se figur 12.

1. Fastgør de tre indføringshåndtag ved at skrue dem ind i gevindhullerne i navsamlingen.

MONTERING AF PATRONEN

Se figur 13 - 15.

⚠ ADVARSEL

Før der foretages nogen montering af patronen i søjleboremaskinehovedet, skal du rengøre alle overflader, der har kontakt med hinanden, med et produkt, der ikke er baseret på petroleum. Al olie eller fedt, der er brugt til at pakke disse dele skal fjernes, ellers kan patronen løsne sig under betjening.

1. Rens det koniske hul i patronen med en ren klud og et rensmiddel, der ikke er baseret på alkohol. Tør alle olierester, skidt og snavs grundigt af.
2. Rengør koniske overflader på spindlen på samme måde som ovenfor.
BEMÆRK: Sørg for, at der ikke sidder nogen fremmedpartikler fast på overfladen. Den mindste

smule støv eller olierest på en hvilken som helst af disse overflader vil forhindre patronen i at sætte sig ordentligt. Dette vil få borepatronen og bitten til at rokke.

- Anbring patronen på spindlen. Patronen skal være fuldständigt åbnet for at undgå beskadigelse af kæberne.
- Oplås bordets støttelås, og sving bordet væk fra bunden af patronen.
- Sæt patronen i spindlen, imens du skubber opad hele vejen.
- Ved hjælp af et stykke affaldstræ til at beskytte patronen skal du med en bestemt bevægelse banke patronen på plads med en gummihammer eller hammer.

⚠ VÆR OPMÆRKSOM

Risiko for beskadigelse af ejendom. For at undgå beskadigelse af patronen må du aldrig hamre på patronen på spindlen med en metalhammer.

FJERNELSE AF PATRONEN

- Drej indføringshåndtagene for at sænke patronen til laveste position.
 - Anbring en kugleledsseparator (ikke vist) over patronen, og bank let med en hammer eller gummihammer for at få patronen til at falde ud ad spindlen.
- BEMÆRK:** Slå aldrig direkte på patronen med hammeren eller gummihammeren.

BEMÆRK: For at undgå mulig skade på patronen skal du hæve kæberne hele vejen først og være forberedt på at gribe patronen, hvis den falder.

MONTERING AF SØJLEBOREMASKINE TIL ARBEJDSOVERFLADEN

Se figur 16.

Hvis produktet skal bruges permanent et sted, skal du sikre det til en arbejdsbænk eller anden stabil overflade.

Hvis produktet skal bruges som et bærbart værktøj, skal du fastgøre det permanent til en monteringsplade, der let kan fastgøres til en arbejdsbænk eller anden stabil overflade. Monteringspladen skal have en tilstrækkelig størrelse for at undgå at vælte, mens produktet er i brug. Det anbefales med en krydsfinerplade eller en spånplade i god kvalitet og en tykkelse på 19 mm (3/4").

- Markér huller på overfladen, hvor søjleboremaskinens skal monteres, ved hjælp af hullerne i søjleboremaskinens base som en skabelon for hulmønstret.
- Bor huller igennem monteringsoverfladen.
- Anbringsøjleboremaskinen på monteringsoverfladen, i det du justerer hullerne i basen ind efter hullerne, der er boret i monteringsoverfladen.
- Isæt bolte (medfølger ikke), og stram sikkert med spændeskiver og sekskantmøtrikker (medfølger ikke).

Hvis der anvendes sekskantbolte, skal du sikre,

at de er lange nok til at gå igennem hullerne i søjleboremaskinens base og det materiale, som søjleboremaskinen bliver monteret på. Hvis der anvendes maskinbolte, skal du sikre, at boltene er lange nok til at gå igennem hullerne i søjleboremaskinen, det materiale, de monteres til, samt spændeskiver og unbrakomøtrikker.

BEMÆRK: Alle bolte skal isættes fra oven. Monter spændeskiver og sekskantmøtrikker fra arbejdsbænkens underside.

Når produktet er sikkert monteret på en solid overflade:

- Tjek for vibration, når motoren er slået TIL.
- Justér og stram det monterede apparat igen efter behov.
- Kontroller bordets samling for at sikre fri bevægelse op og ned af søjlen.
- Kontroller for at sikre, at spindelskaffet kan bevæge sig frit.

OPBEVARING AF PATRONNØGLE

Se figur 17.

Opbevaringsbeholder til patronnøglen er placeret på højre side af produktet.

KONISK BORING

Se figur 18.

BEMÆRK: Der er inkluderet en facetskala for at måle de omtrentlige facetvinkler. Hvis præcision er nødvendigt, skal der bruges et kvadrat eller andet måleværktøj for at positionere bordet. Sådant anvendes facetskalaen:

- Stram møtrikken på låsestiften med en 10 mm skruenøgle eller en justerbar skruenøgle i urets retning for at frigøre stiften fra bordstøtten. Der vil blive brug for denne stift, når du sætter bordet tilbage til dets 0 graders indstilling fra bordstøtten. Må ikke kasseres.
 - Løsgør den store bordfacetlasebolt med sekskantet hoved med en 17 mm skruenøgle eller en justerbar skruenøgle.
 - Vip bordet, idet du justerer den ønskede vinkelmåling ind efter nullinjen modsat skalaen.
 - Stram bordets facetlasebolt.
 - For at returnere arbejdsbordet til den oprindelige position skal du løsne bordets facetlasebolt. Sæt bordet tilbage til 0° position.
 - Sæt møtrikken på låsestiften igen på det udvendige gevind. Slå forsigtigt på låsestiften med en gummihammer, indtil den er placeret i det tilhørende hul på bordbeslaget. Stram møtrikken med hånden.
- BEMÆRK:** Arbejdsbordet er blevet fjernet fra tegningen for at skabe klarhed.

⚠ ADVARSEL

For at forhindre personskader skal du altid trække stikket ud af strømkilden, når du foretager justeringer.

SPINDEL/HULAKSEL

Se figur 20.

Roter indføringshåndtagene imod urets retning for at sænke spindlen til laveste position. Hold patronen, og fjern den fra bagsiden. Hvis der er for meget slør, skal du fortsætte med følgende justeringer:

1. Løsn låsemøtrikken, der sidder på højre side af produktet, med en 10 mm skruenøgle.
2. For at reducere slør skal du dreje skruen med urets retning med en flad skruetrækker, men uden at forhindre spindlens opadgående bevægelse. (En smule slør i spindlen er normalt.)
3. Stram låsemøtrikken.

FJEDER TIL RETURNERING AF HULAKSEL

Se figur 21.

Fjederen til returnering af hulakslen kan have brug for at blive justeret, hvis hastigheden for returneringen af hulakslen er for hurtig eller for langsom. Fjederen sidder på venstre side af borehovedet.

1. Sænk bordet for yderligere frigang.
2. Anbring en skruetrækker i den nederste frontrille på fjederhætten. Hold den på plads, mens du løsner og fjerner blot den ydre kontramøtrik med en 10 mm skruenøgle.
3. Mens skruetrækkeren stadig er i kærven, skal du løsne den indre møtrik, så den løsnes fra navet på søjleboremaskinehovedet.
BEMÆRK: Fjern ikke denne indre møtrik, da fjederen ellers vil folde sig ud med stor kraft.
4. Drej forsigtigt fjederhætten mod urets retning med skruetrækkeren, indtil den næste fordybning.
5. Sænk hulakslen til den laveste position ved at dreje indføringshåndtaget i en retning mod uret, mens du holder fjederhætten på plads.
6. Hvis hulakslen bevæger sig op og ned, som du ønsker, skal du stramme den indre nut mod fjederhætten og spænde fjederhætten med skruenøglen. Hvis den er for løs, skal du gentage trin 3 til 5 for at stramme. Hvis den er for stram, skal du bytte om på trin 4 og 5.
7. Fastgør den ydre møtrik mod den indre møtrik med skruenøglen.

BEMÆRK: Undlad at overstramme, da det begrænser bevægelsen af hulakslen.

BÅNDSTRAMNING

Se figur 22.

1. Åbn remskivedækslet.
2. For at låse båndstramningen op skal du dreje låseknappen til båndstrammeren på højre side af søjleboremaskinehovedet mod urets retning.
3. Træk motoren frem mod forsiden af produktet for at løsne båndstramningen.
4. Anbring båndet på det korrekte remskivettrin for den ønskede hastighed.
5. Skub motoren væk fra søjleboremaskinehovedet, indtil båndet er strammet ordentligt.

BEMÆRK: Båndstramningen er korrekt, hvis båndet er indsnævret omkring 13 mm (1/2"), når den trykkes

ind i midten.

6. Stram låseknappen til båndstrammeren for at sikre, at motoren er på plads. Luk remskivedækslet.

KONTROL/TILPASNING AF LASERJUSTERING

Produktet er udstyret med Laser Trac®.

Med laserstrålerne kan du på forhånd se bitens boresti på det arbejdsemne, der skal bores i, før du begynder på handlingen.

⚠ ADVARSEL

Undgå direkte øjenkontakt

Der lyser et laserlys, når laserstyringen bliver tændt. Undgå direkte øjenkontakt Træk altid produktet ud af strømkilden, før du foretager nogen justeringer.

- En lasermarkør er ikke et stykke legetøj og må ikke komme i hænderne på børn. Misbrug af dette apparat kan føre til uoprettelige øjenskader.
- Ethvert forsøg på at øge lasereffekten er forbudt.
- Når du bruger lasermarkøren, må du ikke pege laserstrålen mod mennesker og/eller reflekterende overflader. Selv en laserstråle med lav intensitet kan forårsage øjenskade. Undlad at se direkte ind i laserstrålen.
- Lasermarkøren inkluderer ingen komponenter, der kræver serviceeftersyn. Huset må aldrig åbnes for reparation eller tilpasning.
- Laserens advarselsmærkat:



- Undlad at fjerne eller ødelægge advarselsmærkater. Hvis mærkater fjernes, øges risikoen for stråleeksposering.
- VÆR OPMÆRKSOM: Brug af betjeningslementer eller justeringer eller udførelse af procedurer, som ikke er beskrevet her, kan medføre farlig stråleeksposering.
- Forsøg ikke at reparere eller afmontere laservaterpasset. Hvis ukvalificerede personer forsøger at reparere dette laserprodukt, kan det føre til alvorlige skader. Al nødvendig reparation af dette laserprodukt bør udføres af et autoriseret servicecenter.
- VÆR OPMÆRKSOM: Anvendelsen af optiske instrumenter sammen med dette produkt vil øge risikoen for øjenskader.

⚠ ADVARSEL

Undlad at anvende tonede glas for at forstærke laserlyset. Tonedede glas vil reducere det overordnede synlige område ved anvendelsen og vil forstyrre den normale betjening af værktøjet.

⚠ ADVARSEL

Laserstråling. Ret aldrig strålen mod et arbejdsemne, der har en reflekterende overflade. Lyse, strålende og reflekterende metalplader eller lignende reflekterende overflader anbefales ikke til laserbrug. Den reflekterende overflade kan reflektere strålen tilbage på operatøren eller andre personer.

JUSTERING AF LASERLINJER

Se figur 23.

Kontroller laserjusteringen for at sikre, at skæringspunktet for laserlinjerne er præcist på det sted, hvor boret møder arbejdsemnet. Hvis dette ikke er tilfældet, skal laserlinjerne justeres med laserjusteringsknapperne, der sidder på de modsatte sider af hovedsamlingen.

1. Marker et "X" på et stykke affaldstræ.
2. Sæt et lille bor i patronen, og juster dets spids ind efter skæringspunktet for linjerne på dit "X".
3. Sæt pladen fast på arbejdsbordet.
4. Tænd laserstyret, og bekræft, at laserlinjerne er justeret ind efter dit "X" på arbejdsemnet.
5. Hvis laserlinjerne ikke er justeret ind, skal du løse indstillingsskruerne på hvert af laserhusene med en unbrakonøgle og dreje laserjusteringsknapperne, indtil linjerne mødes i midten af dit "X". Efterspænd indstillingsskruerne for at sikre.

BETJENING**⚠ ADVARSEL**

Man må på intet tidspunkt forfalde til uforsigtighed under arbejdet, blot fordi man føler sig fortrolig med værktøjet. Glem aldrig, at man blot skal være uopmærksom en brøkdæl af et sekund for at komme alvorligt til skade.

⚠ ADVARSEL

Bær altid sikkerhedsbriller med sideskjolde under betjening af værktøjet. Hvis denne regel ikke overholdes, kan man få slinget fremmedlegemer i øjnene og komme alvorligt til skade.

⚠ ADVARSEL

Brug ikke andre dele eller tilbehørsdele end dem, fabrikanten anbefaler til denne maskine. Hvis der anvendes ikke-anbefalede dele eller tilbehør, kan man komme alvorligt til skade.

⚠ ADVARSEL

For at undgå mulige skader skal du holde afskærmningen lukket og på plads, mens værktøjet er i drift.

ÆNDRING AF HASTIGHEDER OG BÅNDPLACERING

Se figur 24.

Spindelhastigheden fastsættes af placeringen for båndet på remskiverne inden i hovedsamlingen. Hastighedsdiagrammet, der sidder på dækslet inden i hovedsamlingen, viser den anbefalede hastighed og remskivekonfiguration for hver borebetjening.

Sådan ændrer du remskivekonfiguration:

1. Løft remskivedækslet.
2. Løsgør spændebolten.
3. Fjern båndet.
4. Genplacer båndeti henhold til hastighedsdiagrammet.
5. Stram spændebolten igen.

BEMÆRK: Der henvises til "Anbefalet borehastighed" for information om størrelse af bor og borehastighedsanbefalinger

ANBEFALET BOREHASTIGHED

TABEL OVER BOREHASTIGHED (O/M)			
Diameter for bor (tommer)	Materiale		
	Træ Plastik	Aluminium Zink Messing	Jern Stål
1/16	2430	2430	2430
1/8			1800
3/16	1800	1300	1300
1/4			800
5/16	1300	800	800
3/8			510
1/2	1800	800	510

Tænd/Sluk-kontakt

Se figur 25.

Sådan tændes for værktøjet:

1. Tryk på knappen TIL (I).

Sådan slukkes for værktøjet:

1. Tryk på knappen FRA (O).

⚠ ADVARSEL

Sørg altid for, at arbejdsemnet ikke er i kontakt med boret, før du trykker på kontakten for at starte produktet. Manglende iagttagelse af denne advarsel kan bevirke, at emnet slår tilbage mod operatøren og medføre alvorlige personskader.

INSTALLERING OG FJERNELSE AF BOR

Se figur 26.

1. Træk produktet ud af stikkontakten.
2. Åbn eller luk spænde patronens kæber, indtil åbningen er en anelse større end boret, som du ønsker at bruge.

3. Indsæt boret i patronen i kæbernes fulde længde.

⚠ ADVARSEL

Indsæt ikke boret i patronkæberne og stram som vist i figur 19. Det kan få boret til at flyve af produktet, hvilket kan føre til alvorlig personskade eller beskadigelse af patronen.

4. Stram patronkæberne sikkert med den medfølgende patronnøgle. Stram eller løsn ikke spændepatronens kæber med en skrue nøgle.
5. Fjern patronnøgle.
6. For at fjerne boret skal du gentage trinene ovenfor i omvendt rækkefølge.

⚠ ADVARSEL

For at undgå skader eller ulykker ved at patronnøglen bliver skudt kraftigt ud af patronen, når strømmen tændes, skal du kun bruge den selvudløsende patronnøgle, der leveres sammen med søjleboremaskine. Kontroller altid, og fjern patronnøglen, før du slår strømmen "TIL". Kom patronnøglen tilbage i opbevaringsbeholderen, når den ikke er i brug.

BORING TIL EN SPECIFIK DYBDE

Boring af et blindt hul (ikke hele vejen igennem arbejdsemnet) til en given dybde kan udføres på to måder:

Arbejdsemnetmetoden

Se figur 27.

1. Marker dybden af hullet på siden af arbejdsemnet.
2. Med strømmen sat til "FRA" skal du føre boret ned, indtil spidsen er ved mærket.
3. Hold styrehåndtaget i denne position.
4. Drej den nederste møtrik ned, til den får kontakt med dybdestoptappen på hovedet.
5. Drej den øverste møtrik ned, og stram den mod den nederste møtrik.
6. Boret vil nu standse, når den når til den markerede afstand på arbejdsemnet.

Dybdeskalametoden

Se figur 28.

BEMÆRK: Med patronen i øverste position skal borets spids være en anelse over toppen af arbejdsemnet.

1. Med kontakten slået "FRA" skal du dreje fremføringshåndtaget, indtil markøren peger mod den ønskede dybde på dybdeskalaen, og hold så fremføringshåndtaget i denne position.
2. Drej den nederste møtrik ned, til den får kontakt med dybdestoptappen.
3. Drej den øverste møtrik mod den nederste stopmøtrik, og stram den.
4. Boret vil standse, når den når til den valgte afstand på dybdeskalaen.

Boring af et hul

1. Ved hjælp af en kørner eller en skarp negl laves et hak i arbejdsemnet, hvor du gerne vil bore.
2. Tænd laserstyret, og juster laserlinjerne ind efter hakket.
3. Tænd for strømmen, og træk ned i indføringshåndtagene med kun nok kraft til, at boret kan bore.

Hvis du indfører for hurtigt, kan det få båndet eller boret til at glide, rive arbejdsemnet løs eller brække borets bit.

Når du borer i metal, vil det være nødvendigt at smøre spidsen af boret med metalboreolie, så der ikke sker overophedning.

FOR DIN EGEN BESKYTTELSE

⚠ ADVARSEL

For at undgå at blive trukket ind i elværktøjet må du ikke bære løst tøj, handsker, halskæder eller smykker. Du skal altid samle langt hår.

1. Hvis der mangler nogen dele af dit produkt, eller hvis nogen af delene har en funktionsfejl, er beskadigede eller ødelagte, skal du straks standse betjeningen, indtil den pågældende del er blevet repareret eller udskiftet.
2. Anbring aldrig dine fingre i en position, hvor de kan komme i kontakt med boret eller andet skæreværktøj. Arbejdsemnet kan uventet smutte, eller dine hænder kan glide.
3. For at forhindre at arbejdsemnet bliver revet ud af dine hænder, kastet, hvirvlet rundt af værktøjet eller ødelagt, skal du altid understøtte dit arbejdsemne ordentligt på følgende måde:
 - Placer altid det understøttende materiale (anvendes under arbejdsemnet), så det har kontakt med den venstre side af søjlen.
 - Når det er muligt, skal du anbringe arbejdsemnet, så det har kontakt med den venstre side af søjlen. Hvis det er for kort, eller arbejdsbordet er vipet, skal du klemme det solidt fast til arbejdsbordet ved hjælp af bordets åbninger.
 - Hvis du bruger en skruestik (ikke inkluderet) til søjleboremaskinen, skal du altid fastgøre den til bordet.
 - Foretag aldrig frihåndsarbejde (ved at holde arbejdsemnet i hånden i stedet for at understøtte det på arbejdsbordet), bort set fra når du polerer eller sliber.
 - Fastgør hovedet og støtten til søjlen, bordets arm til støtten, og bordet til bordets arm, før du betjener søjleboremaskinen.
 - Flyt aldrig hovedet eller arbejdsbordet, mens værktøjet kører.
 - Før du starter en betjening, skal du køre roligt med motorkontakten for at sikre, at boret eller andet skæreværktøj ikke er skævt eller forårsager vibration.
 - Hvis et arbejdsemne hænger ud over bordet,

så det kan falde ned eller vælte, hvis man ikke holder ved det, skal du klemme det fast til bordet eller sørge for ekstra støtte.

- Brug beslag til usædvanlige handlinger for at kunne holde, styre og anbringe arbejdsemnet tilstrækkeligt.
 - Anvend den spindelhastighed, der er anbefalet til den specifikke betjening og arbejdsemnets materiale. Tjek panelet på indersiden af remskivedækslet, eller se afsnittet "Anbefalet borehastighed" for oplysninger om borehastighed. For tilbehør henvises til de anvisninger, der fulgte med tilbehøret.
4. Du må aldrig klatre op på søjleboremaskines bord, da det kan gå i stykker eller vælte hele søjleboremaskinen ned over dig.
 5. Slå strømmen "FRA" ved kontakten, når du forlader produktet.
 6. For at undgå skader fra kastede emner eller kontakt med værktøjet må du aldrig udføre opstillings-, monterings- eller opsætningsarbejde på bordet, mens skæreværktøjet drejer rundt.

PLACERING AF BORD OG ARBEJDSEMNE

Se figur 29-30.

1. Lås arbejdsbordet fast til søjlen i en position, så boret spids er lige over arbejdsemnets overflade.
2. Anbring altid et understøttende materiale (affaldstræ) på arbejdsbordet under arbejdsemnet. Dette vil forhindre splinter eller kraftig grat på arbejdsemnets underside. For at forhindre at det understøttende materiale drejer rundt, skal det anbringes mod den venstre side af søjlen.
3. Brug relevante understøttningsmidler for overhængende arbejdsemne.

⚠ ADVARSEL

For at forhindre at arbejdsemnet eller det understøttende materiale kastes rundt, mens du borer, SKAL du anbringe arbejdsemnet mod den venstre side af søjlen. Hvis arbejdsemnet eller det understøttende materiale ikke er langt nok til at nå søjlen, skal du klemme dem fast på arbejdsbordet for at fastholde arbejdsemnet. Hvis det ikke lykkes at sikre arbejdsemnet, kan det resultere i personskader.

⚠ ADVARSEL

En skruestik til en søjleboremaskine skal spændes eller boltes fast til arbejdsbordet for at undgå skader fra et roterende arbejdsemne eller en beskudiget skruestik eller bordele.

BEVARE ET BORESTED

1. Ved hjælp af en kørner eller en skarp negl laves et hak i arbejdsemnet, hvor du gerne vil bore.
2. Tænd laserstyret, og juster laserlinjerne (x) ind efter hakket, før du tænder for boremaskinen.

VIPNING AF BORDET

Se figur 31.

BEMÆRK: Bordstøtten har et forboret hul med en låsestift indsat for at låse bordet i en forboret 0° facetvinkel.

1. Stram møtrikken på låsestiften med en 10 mm skruenøgle eller en justerbar skruenøgle i urets retning for at frigøre justeren fra bordstøtten. Der vil blive brug for denne stift, når du sætter bordet tilbage til dets 0 graders indstilling fra bordstøtten.
2. Løsgør den store bordfacetlåsebolt med sekskantet hoved med en 17 mm skruenøgle eller en justerbar skruenøgle.

⚠ ADVARSEL

For at forhindre skader skal du sørge for at holde arbejdsbordet og bordarmen, så det ikke drejer eller vælter.

3. Vip bordet, idet du justerer den ønskede vinkelmåling ind efter nullinjen modsat skalaen.
4. Stram bordets facetlåsebolt.
5. For at returnere arbejdsbordet til den oprindelige position skal du løsne bordets facetlåsebolt. Sæt bordet tilbage til 0° position.
6. Sæt møtrikken på låsestiften igen på det udvendige gevind. Slå forsigtigt på låsestiften, indtil den er placeret i det tilhørende hul på bordbeslaget. Stram møtrikken med hånden.

⚠ ADVARSEL

For at undgå skader fra roterende arbejde eller ødelagt værktøj skal du altid fastgøre arbejdsemnet og understøttende materiale sikkert til bordet, før du betjener søjleboremaskinen.

INDFØRING

1. Træk ned i indføringshåndtagene med kun nok kraft til, at boret kan bore.
2. Hvis du indfører for langsomt, kan det få søjleboremaskinen til at brænde. Hvis du indfører for hurtigt, kan det få båndet eller boret til at glide, rive arbejdsemnet løs eller brække boret's bit.
3. Når du borer i metal, er det nødvendigt at smøre spidsen på boret med olie for at forhindre, at arbejdsemnet og boret brænder.

VEDLIGEHOLDELSE

⚠ ADVARSEL

For din egen sikkerhed skal du slukke for strømmen og tage stikket ud af stikkontakten, før du udfører vedligeholdelsesarbejde eller smører søjleboremaskinen.

Blæs hyppigt ud med en luftkompressor, eller brug en støvsuger til at fjerne savsmuld eller metalspåner
Oversættelse af de originale instruktioner | 119

i motoren, i remskivehuset, på bordet og på arbejdsoverfladen. Benyt altid sikkerhedsbriller, når værktøjet benyttes.

⚠ ADVARSEL

For at undgå stød eller en brandulykke skal du straks få en kvalificeret elektriker eller servicetekniker til at udskifte strømledningen, hvis den er slidt eller på nogen måde er blevet skåret i.

SMØRING

Alle søjleboremaskinens kuglelejer bliver pakket med fedt på fabrikken. De kræver ikke yderligere smørelse.

Smør regelmæssigt gearet og stangen, spindlens bordhævemekanisme samt hulakslens stang (tænderne). Sænk spindlen ned, og smør spindeluffen moderat med olie hver 3. måned.

TRANSPORT OG OPBEVARING

Se figur 32.

Frakobl strømledning ved transport af produktet, og sørg for, at alle dele er forsvarligt fastgjort. Gribeområder i forbindelse med løft af produktet fremgår af fig. 32.

Opbevar produktet på et sikkert sted, der er utilgængeligt for børn.

Rengør produktet med en børste og støvsuger, inden det stilles til opbevaring.

SYMBOL



Sikkerhedsadvarsel



Europæisk overensstemmelsesmærkning



Britisk overensstemmelsesmærkning



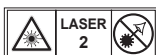
Ukrainsk overensstemmelsesmærkning



EurAsian overensstemmelsesmærke



Læs venligst vejledningen omhyggeligt inden start af produktet.



Laserstråling.
Se aldrig direkte ind i strålen.
Klasse 2-laserprodukt



Må ikke udsættes for regn eller bruges i fugtige omgivelser.



Benyt høreværn



Brug altid øjenværn.



Spændepatronkapacitet



Spindelvandring



Borriktning



Diameter for bor (tommer)



Træ



Aluminum

Zink

Messing



Jern

Stål

Bortskaf ikke elektriske dele og elektronisk udstyr som usorteret kommunalt affald. Kasserede elektriske dele og elektronisk udstyr skal indsamles separat. Affaldets lyskilder skal fjernes fra udstyret. Kontakt din lokale myndighed eller forhandler for rådgivning om genbrug og indsamlingssted. Ifølge lokale bestemmelser kan detailhandlere være forpligtede til gratis at tage kasserede elektriske dele og elektronisk udstyr retur til bortskaffelse. Dit bidrag til genbrug og genanvendelse af kasserede elektriske dele og elektronisk udstyr bidrager til at reducere efterspørgslen efter råmaterialer. Kasserede elektriske dele og elektronisk udstyr indeholder værdifulde og genanvendelige materialer, som kan have en negativ indvirkning på miljøet og menneskers sundhed, hvis det ikke bortskaffes på en miljøvenlig måde. Slet persondata fra eventuelt kasseret udstyr.



FEJLFINDING

Problem	Mulig årsag	Løsning
Støjende betjening.	<ol style="list-style-type: none"> 1. Ukorrekt båndstramning. 2. Spindel er tør. 3. Spindelremskive er løs. 4. Motorremskive er løs. 	<ol style="list-style-type: none"> 1. Juster spændingen. Se afsnittet "Båndstramning". 2. Smør spindlen. Se afsnittet "Smøring". 3. Kontroller, hvor stram holdemøtrikken på remskiven er, og stram efter, hvis det er nødvendigt. 4. Stram indstillingsskruen på motorremskiven.
Boret brænder.	<ol style="list-style-type: none"> 1. Ukorrekt hastighed. 2. Borespåner kommer ikke ud af hullet. 3. Boret er sløvt. 4. Indføring er for langsom. 5. Ikke smurt. 	<ol style="list-style-type: none"> 1. Skift hastighed. Se afsnittet "Ændring af hastigheder og remudskiftning". 2. Træk boret hyppigt tilbage for at fjerne borespåner. 3. Slib boret igen, eller udskift med et nyt bor. 4. Indfør hurtigt nok - lad boret bore. 5. Smør boret. Se afsnittet "Indføring".
Udgangen af det borede hul er ikke rundt.	<ol style="list-style-type: none"> 1. Der er grove årer i træer, eller længden af skæreruter og/eller -vinkler er ikke ens. 2. Boret er bøjet. 	<ol style="list-style-type: none"> 1. Slib boret korrekt igen. 2. Udskift boret.
Træsplinter på undersiden.	<ol style="list-style-type: none"> 1. Intet understøttende materiale under arbejdsemnet. 	<ol style="list-style-type: none"> 1. Brug understøttende materiale. Se afsnittet "Betjening".
Arbejdsemne revet fri fra hånden.	<ol style="list-style-type: none"> 1. Arbejdsemnet er ikke understøttet eller fastspændt ordentligt. 	<ol style="list-style-type: none"> 1. Understøt arbejdsemnet, eller spænd det fast. Se afsnittet "Betjening".
Bor binder i arbejdsemne.	<ol style="list-style-type: none"> 1. Arbejdsemnet klemmer boret, eller der er for stort indføringstryk. 2. Ukorrekt båndstramning. 	<ol style="list-style-type: none"> 1. Understøt arbejdsemnet, eller spænd det fast. Se afsnittet "Betjening". 2. Juster stramning. Se afsnittet "Båndstramning".
For kraftig boring eller skæv boring.	<ol style="list-style-type: none"> 1. Boret er bøjet. 2. Lejer er slidte. 3. Bor ikke korrekt installeret i patronen. 4. Patron ikke ordentligt monteret. 	<ol style="list-style-type: none"> 1. Anvend et lige bor. 2. Udskift lejerne. 3. Monter bor ordentligt. Se afsnittet "Betjening" og "Montering og justeringer". 4. Monter patronen ordentligt. Se afsnittet "Montering af patronen".
Hulakslens returnerer for langsomt eller for hurtigt.	<ol style="list-style-type: none"> 1. Spiralfjeder har forkert spænding. 	<ol style="list-style-type: none"> 1. Juster fjederspændingen. Se afsnittet "Fjeder til returnering af hulaksel".
Patronen vil ikke hænge fast på spindlen. Den falder af, når jeg forsøger at montere den.	<ol style="list-style-type: none"> 1. Skidt, fedt eller olie på patronens koniske inderside eller på spindelens koniske overflade. 	<ol style="list-style-type: none"> 1. Med et rensmiddel, der ikke er baseret på alkohol, skal du rengøre den koniske overflade på patron og spindel for at fjerne skidt, fedt og olie. Se afsnittet "Montering af patronen".

BESKRIVNING

1. Huvud-enhet
2. Arbetsyta
3. Bottenplatta
4. Stativ
5. Pelarenhet
6. Stativring
7. Matarhandtag
8. Snäckdrev
9. Låshandtag för bord
10. Vevhandtag för bord
11. Sexkantsbultar
12. Chuck
13. Chucknyckel
14. 4 mm sexkantsnyckel
15. 3 mm sexkantsnyckel
16. Skruvmejsel för spårskruvar
17. Skiftnyckel
18. 12 mm nyckel
19. Gummihammare eller -klubba
20. Kombinationsvinkel
21. Träblock
22. Motor
23. Laserhuvud
24. Returfjäderspole/fjäder
25. Bordshållare
26. Remskivans kåpa
27. Av/på-knapp
28. Laserbrytare
29. Övre skydd
30. Monteringshål
31. Låsskruv för huvudet
32. Låsknapp för remspänning
33. Hållare för chucknyckel
34. Remskiva för spindel
35. Remskiva för motor
36. Bordsstöd
37. Hål för bordets vevhandtag
38. Pelarstöd
39. Ställskruv
40. Huvud
41. Ställskruv för låsning av huvudet
42. Gångade hål
43. Navenhet
44. Spindel
45. Bult x 2 (M12, medföljer ej)
46. Låsbricka x 4 (Dia. 12mm, medföljer ej)
47. Gummibricka x 2 (Dia. 12mm, medföljer ej)
48. Platt bricka x 2 (Dia. 12mm, medföljer ej)
49. Kontramutter x 2 (M12, medföljer ej)
50. Sexkantsmutter x 2 (M12, medföljer ej)
51. Arbetsyta
52. Lutningsskala
53. Låsbult för bordslutning
54. Mutter
55. Låsmutter
56. Skruvar
57. Nedre frontutsparring
58. Fjäderkåpa
59. Yttre kontramutter
60. Inre mutter
61. Urtag
62. Klack
63. Chuckkåftar
64. Borrbits
65. Djup
66. Pekare för djupskala
67. Skala för höjdställning
68. Övre mutter
69. Nedre mutter
70. Djupanslagsögla
71. Arbetsstycke



Säkerhet, prestanda och pålitlighet har fått högsta prioritet vid utformningen av din pelarborrmaskin.

ANVÄNDNINGSMÅL

Pelarborrmaskinen är avsedd för att borra hål i trä, plast, aluminium och stål.

Produkten är avsedd för vuxna användare som har läst instruktionsboken och inser riskerna och farorna.

Produkten ska vid basen fixeras på en solid bänkskiva. Om basen inte är säkert fixerad har hela maskinen en beägenhet att tippa, glida eller förflytta sig på underlaget under drift, vilket ökar risken för allvarliga personskador.

Produkten får bara användas i torra miljöer, med utmärkt omgivningsbelysning och adekvat ventilation.

Produkten är avsedd för privat bruk och får enbart användas så som beskrivs ovan och inte för något annat ändamål.

ALLMÄNNA SÄKERHETSFORESKRIFTER FÖR MASKINVERKTYG

⚠ VARNING

Läs uppmärksamt alla varningar, instruktioner och specifikationer som bifogas med detta verktyg och studera bilderna. Underlåtenhet att respektera dessa föreskrifter kan leda till olyckor som brand, elektriska stötar och/eller allvarliga kroppsskador.

Behåll dessa varningar och anvisningar för framtida referens. Termen "elektriskt verktyg" i varningarna avser ditt nätdrivna elverktyg (med sladd) eller ditt batteridrivna elverktyg (sladdlöst).

ARBETSOMRÅDESSKYDD

- **Håll arbetsområdet rent och använd god belysning.** Skräpiga och mörka utrymmen inbjuder till olyckor.
- **Använd inte motordrivna verktyg i explosiva miljöer, till exempel i närheten av brännbara vätskor, brännbara gaser eller damm.** Motordrivna verktyg skapar blixtrar som kan antända damm och ångor.
- **Håll barn och åskådare på avstånd när du använder verktyget.** Distractioner kan få dig att tappa kontrollen.

ELSÄKERHET

- **El-verktygskontakter måste passa i vägguttaget. Gör aldrig ändringar i kontakten på något sätt. Använd inte delningakontakter tillsammans med jordade el-verktyg.** Oförändrade kontakter och passande vägguttag reducerar risken för elektrisk chock.
- **Undvik kroppskontakt med jordade ytor så som rör, element, spisar och kylskåp.** Risken för elektrisk chock ökar om din kropp är jordad.

- **Utsätt inte motordrivna verktyg för regn eller blöta omgivningar.** Vatten som tränger in i ett motordrivet verktyg ökar risken för elektrisk stöt.
- **Skada inte sladden. Använd aldrig sladden till att bära med, dra ur eller koppla ur el-verktyget med. Håll strömladden borta från värme, olja, vassa kanter och rörliga delar.** Trassliga eller skadade sladdar ökar risken för elektrisk chock.
- **När du använder ett el-verktyg utomhus måste en förlängningsladd för utomhusbruk användas.** Användning av kabel avsedd för utomhusbruk reducerar risken för elektrisk chock.
- **Om du inte kan undvika att använda el-verktyget i fuktiga utrymmen, använd en jordfelsbrytare som skydd.** En jordfelsbrytare reducerar risken för elektrisk chock.

PERSONSÄKERHET

- **Se upp med vad du gör och använd sunt förnuft när du använder verktyget. Använd inte verktyg när du är trött eller påverkad av droger, alkohol eller mediciner.** Ett ögonblicks ooppmärksamhet vid användning av motordrivna verktyg kan resultera i allvarlig personskada.
- **Använd personlig skyddsutrustning. Bär alltid ögonskydd.** Skyddsutrustning som en damm mask, halkfria skyddsskor, en hård hjälm, eller hörselskydd som används under lämpliga förhållanden minskar personskador.
- **Undvik oavsiktlig start. Försäkra dig om att brytaren står i fränslaget läge innan du ansluter limpistolen till en strömkälla och/eller ett batteri, samt innan du plockar upp eller bär produkten.** Att bära elverktyg med fingret på brytaren eller att låta energigivande elverktyg vara igång med brytaren påslagen är att bjuda in till olycksfall.
- **Avlägsna inställningsverktyg eller nyckel innan du sätter på el-verktyget.** En nyckel eller annat verktyg som sitter kvar på en roterande del i el-verktyget kan orsaka kroppsskada.
- **Sträck dig inte. Ha alltid ett bra fotfäste och en god balans.** Detta ger bättre kontroll av el-verktyget i oväntade situationer.
- **Klä dig korrekt. Bär inte löst åtsittande kläder eller smycken. Håll ditt hår och dina kläder borta från rörliga delar.** Löst åtsittande kläder, smycken och långt hår kan fastna i rörliga delar.
- **Om enheter tillhandahålls för anslutningen av dammsuget och uppsamlingsanläggningar, säkerställ att dessa är ansluta och används korrekt.** Användningen av dammuppsamling kan minska dammrelaterade faror.
- **Låt inte den erfarenhet som följer med vana vid verktygsanvändning göra dig oförsiktig och ignorera säkerhetsprinciper för verktygsanvändningen.** En slarvig handling kan orsaka allvarlig skada inom en bråkdel sekund.



ANVÄNDNING OCH UNDERHÅLL AV MOTOR- VERKTYG

- Använd inte kraft mot verktyget. Använd rätt produkt för applikationen. Rätt produkt gör arbetet enklare och säkrare i den takt som den är avsedd för.
- Använd inte el-verktyget om det inte startar när du slår på eller av switchen. Ett el-verktyg som inte kan kontrolleras med switchen är farligt och måste repareras.
- Ta ut kontakten ur eluttaget och/eller ta bort batteripaketet, ifall avtagbart, från elverktyget innan du gör några justeringar, byter tillbehör eller förvarar elverktyg. Sådana förebyggande säkerhetsåtgärder minskar risken för att starta produkten oavsiktligt.
- Förvara oanvända el-verktyg utom räckhåll för barn och låt inte oerfarna människor använda el-verktyget. El-verktyg är farliga i händerna på oerfarna användare.
- Underhåll elverktyg och tillbehör. Kontrollera att det inte föreligger någon obalans eller oförmåga för rörliga delar att röra sig, att inga delar är trasiga och att ingenting annat som påverkar användningen av det motordrivna verktyget föreligger. Om maskinen är skadad måste den repareras innan den kan användas. Många olyckor uppstår på grund av dåligt underhållna verktyg.
- Håll skärverktyg vassa och rena. Korrekt underhålla skärverktyg med vassa kanter är mindre benägna att fastna och lättare att kontrollera.
- Använd produkten, tillbehör och insatsverktyg mm. i enlighet med dessa anvisningar, och anpassat till arbetsförhållandena och det arbete som ska utföras. Användning av el-verktyget för andra områden än de avsedda kan resultera i en riskfylld situation.
- Håll handtag och greppytor torra, rena och fria från olja och smörj fett. Håll handtag och greppytor tillåter inte säker hantering och kontroll av verktyget i oväntade situationer.

SERVICE

- Se till att ditt el-verktyg får service av en kvalificerad tekniker som bara använder identiska reservdelar. Detta garanterar en säker användning av det motordrivna verktyget.

SÄKERHETSVARNINGAR FÖR PERLARBORMASKIN

- Borrmaskinen måste fästas. En borrmaskin som inte är korrekt fäst kan röra sig eller välta och resultera i personskada.
- Arbetsstycket måste klämmas eller fästas till arbetsstyckets stöd. Borra inte i delar som är för små för att klämmas fast säkert. Att hålla i arbetsstycket för hand under drift kan resultera i personskada.
- Bär inte handskar. Handskar kan trassla in sig

i de roterande delarna eller spån och leda till personskada.

- Håll dina händer borta från borrområdet medan verktyget används. Kontakt med roterande delar eller spån kan resultera i personskada.
- Säkerställ att tillbehöret roterar före du matar det in i arbetsstycket. I annat fall kan tillbehöret fastna i arbetsstycket och orsaka oförutsedd rörelse av arbetsstycket och personskada.
- När arbetsstycket har fastnat, sluta tillämpa nedåtryck och stäng av verktyget. Undersök och vidta lämpliga åtgärder för att eliminera orsaken till att det fastnar. Blockering kan orsaka oförutsedd rörelse av arbetsstycket och personskada.
- Undvik att framkalla långa spån genom att regelbundet avbryta nedåtryck. Vassa metallspån kan orsaka intrassling och personskada.
- Ta aldrig bort spån från borrområdet medan verktyget används. För att ta bort spån, flytta tillbehöret bort från arbetsstycket, stäng av verktyget och vänta tills tillbehöret har stannat. Använd verktyg såsom en pensel eller krok för att ta bort spån. Kontakt med roterande delar eller spån kan resultera i personskada.
- Tillbehör med hastighetsklasser måste uppskattas till åtminstone den maximala hastigheten som anges på elverktyget. Tillbehör som fungerar i en hastighet som är högre än deras nominella hastighet kan brytas av och slungas ut.
- Håll borrbitarna rena och vassa. Vassa bitar minimerar risken för motorstopp. Smutsiga och slöa bitar kan resultera i felriktat material och skaderisk för användaren.
- Håll händerna borta från arbetsområdet. Håll händerna borta från borrbiten. Fäst lösa kläseplagg, smycken, långt hår mm. som kan trassla in sig i borrbiten.
- Spänn alltid fast arbetsstycket eller fäst det mot pelaren för att förhindra rotation. Använd aldrig händerna för att hålla fast ett föremål vid borring.
- Använd rekommenderad hastighet för borttillbehör och arbetsmaterial.
- Försäkra dig om att borrbiten eller skärverktyget säkert har låsts i chucken.
- Försäkra dig om att chucknyckeln har tagits bort från chucken före anslutning till strömkällan eller påslagning av strömmen.
- Justera bordet eller djupanslaget för att undvika att borra in i bordet. Slå av strömmen, avlägsna borrbiten och rengör bordet innan du lämnar maskinen.
- Undvik direkt ögonkontakt när du använder laserpasset.
- Säkerställ alltid att laserstrålen är riktad mot en icke-reflekerande yta. Blanka, reflekterande material är inte lämpliga för användning av laser.
- Håll aldrig fingrarna i ett läge där de kan komma i kontakt med borren eller något annat skärverktyg

om arbetsstycket oväntat skulle röra på sig.

- **Utför aldrig någon operation genom att flytta huvudet eller bordet i förhållande till varandra.** Slå inte på motorbrytaren eller påbörja någon operation innan du har kontrollerat att huvudet och bordsstödet låshandtag är ordentligt fastklämda mot pelaren, och att huvudets och bordsstödet kragar befinner sig rätt läge.
- **Innan du slår på strömbrytaren, kontrollera att remskyddet är nedsänkt och att chucken har monterats korrekt.**
- **Lås motorbrytaren i avslaget läge när du lämnar produkten.** Utför inte layout-, monterings- eller inställningsarbete på bordet medan skärverktyget roterar, är påslaget eller anslutet till en strömkälla.
- **För att minska risken får en skadad strömsladd endast repareras av tillverkaren eller ett auktoriserat servicecenter.**
- **Förvara verktyg avstängda.** När verktygen inte används ska de förvaras på en torr plats med lås där inte barn kan komma åt dem.
- Det rekommenderas att verktyget alltid ansluts till en strömförsörjning med en jordfelsbrytare som har en nominell restström på 30 mA eller mindre.
- **Spara dessa anvisningar.** Titta i dem ofta och använd dem för att instruera andra. Om du lånar ut verktyget till någon ska du även låna ut instruktionerna.

LASER SÄKERHET

- Laserstrålningen som används i produkten är klass 2 med våglängder på maximalt 1 mW och 650 Nm. Titta inte rakt in i laserstrålen. Om inte riktlinjerna följs kan det leda till allvarlig personskada.
- Titta inte in i laserstrålen under användning.
- Rikta inte laserstrålen direkt mot andra personers ögon. Allvarlig ögonskada kan uppstå.
- Placera inte lasern i ett läge där någon kan titta in i laserstrålen medvetet eller av misstag.
- Använd inga optiska instrument för att titta på laserstrålen.
- Använd inte lasern i närheten av barn och låt inte heller barn använda lasern.
- Försök inte att laga laserenheten själv.
- Försök inte själv utföra ändringar på laserapparaten.
- Reparationer får endast utföras av lasertillverkaren eller en auktoriserad serviceagent.
- Byt inte ut lasern mot någon annan typ.

RESIDUALRISK

Även om produkten används enligt instruktionerna går det inte att eliminera alla eventuella riskfaktorer. Användaren ska vara extra noga och uppmärksam med dessa punkter för att minska risken för allvarlig personskada.

- Hörselskador – Använd lämpliga hörselskydd och

begränsa exponeringen.

- Synskador – Bär skyddsglasögon vid användning av produkten.
- Skador orsakad av vibrationer - Begränsa exponeringen och följ säkerhetsanvisningarna i denna bruksanvisning.
- Skador på andningsorgan på grund av damm som skapas vid användning av produkten – Använd lämplig skyddsutrustning beroende på typ av damm.

⚠ VARNING

Damm av vissa typer som alstras av arbeten som slipning, sågning, polering, borrar och andra arbeten inom byggnadsverksamhet innehåller kemiska produkter som kan vara cancerogena och förorsaka kongenitala avvikelser eller fertilitetsproblem. Några exempel på dylika kemiska produkter:

- bly, i blybaserade färger,
- kristalliserad kisel-dioxid som finns i vissa slag av cement, tegel och andra murarprodukter och
- arsenik och krom som man finner i vissa kemiskt behandlade träprodukter.

Riskerna som förknippas med dessa produkter varierar beroende på hur ofta denna typ av arbete utförs. För att minska exponeringen för dylika kemiska substanser, arbeta på en väl ventilerad plats och använd en godkänd skyddsutrustning som till exempel skyddsmask mot damm som konstruerats speciellt för att filtrera mikroskopiska partiklar.

ELEKTRICITET

Använd endast förlängningsladdar med tre kablar (ström + jord). Använd endast stickkontakter och vägguttag med tre stift. Jordningen är till för din egen och andras säkerhet. När du arbetar långt ifrån ett eluttag måste du använda en förlängningskabel som tål den strömstyrka som maskinen använder. En underdimensionerad förlängningskabel kan orsaka spänningsfall vilket leder till effektförluster i motorn. Detta kan i sin tur leda till att motorn överhettas.

Före användning av en förlängningsladd, kontrollera den avseende lösa eller exponerade ledningar och sönderskuren eller sliten isolering.

⚠ VARNING

Håll förlängningsladden borta från arbetsområdet. Placera sladden så att den inte fastnar på träet, verktygen eller andra hinder när du arbetar med ett motorverktyg. Underlåtenhet att följa denna föreskrift kan förorsaka allvariga skador.

⚠ VARNING

Kontrollera förlängningsladdar innan varje användning. Byt omedelbart ut om den är skadad. Använd aldrig maskinen med en skadad kabel eftersom det skadade området kan ge en elektrisk stöt vid beröring vilket kan resultera i allvarlig personskada.

ELEKTRISKA ANSLUTNINGAR

Denna produkt drivs av en precisionsbyggd elmotor. Det ska endast anslutas till en elförsörjning med spänning 220~240V AC, 50 Hz (normal hushållsel). Anslut inte den här produkten till likströmsnät (DC). Ett stort spänningsfall kan orsaka effektförlust och motorn kommer att överhettas. Dubbelkontrollera strömförsörjningen om produkten inte fungerar normalt när den är ansluten till ett vägguttag.

HASTIGHET OCH ELDRAGNING

Hastigheten är inte konstant och minskar under belastning eller vid låg spänning. När det gäller spänning är eldragningen lika viktig som motorns antal hästkrafter. En krets som är avsedd för endast belysning klarar inte av ett elverktyg. En strömsladd som är tillräcklig för en kort sträcka kommer att vara för liten för längre sträckor. En krets som kan driva ett elverktyg kan kanske inte driva ytterligare ett eller två elverktyg.

ANVISNINGAR FÖR JORDNING

I händelse av ett teknisk fel eller haveri fungerar jordningen som en ledare för elektrisk ström vilket minskar risken för elstötar. Den här produkten är utrustad med en elsladd med jordledare och en jordad stickkontakt. Stickkontakten måste stoppas in i ett vägguttag där den passar, vägguttaget måste vara korrekt installerat och jordat i enlighet med lokala lagar och bestämmelser.

Gör inga ändringar i den stickkontakt som sitter på produkten. Om stickkontakten inte passar i vägguttaget måste den bytas ut mot en lämplig kontakt, bytet måste utföras av en behörig elektriker. Felaktig anslutning av utrustningens jordledning kan medföra en risk för elektriska stötar. Den ledare som har en isolering i grönt, med eller utan gula ränder, är utrustningens jordledning. Om reparation eller byte av elkabeln eller kontakten krävs, anslut inte utrustningens jordledning till ett strömförande uttag.

Om elkabeln skadas måste den omedelbart repareras eller bytas ut.

REKOMMENDERADE TILLBEHÖR

⚠ VARNING

Använd endast tillbehör som rekommenderas för denna produkt.

Följ de anvisningar som medföljer tillbehören. Användning av felaktiga tillbehör kan orsaka faror.

- Borrbits
- Hållarklämmor
- Tvingar för pelarborrmaskinen

⚠ VARNING

Använd endast tillbehör som utformats för denna produkt, för att undvika skador på grund av utkastade trasiga komponenter eller arbetsstycken.

Använd inte ett tillbehör om du inte har läst instruktionerna eller användarmanualen för detta tillbehör helt och hållet.

LÅDANS INNEHÅLL

PACKA UPP OCH KONTROLLERA INNEHÅLLET

⚠ VARNING

Om någon del saknas eller är skadad, koppla inte in produkten innan den saknade eller skadade delen har ersatts och enheten är fullständig.

Packa noggrant upp produkten och alla dess delar och jämför med listan nedan.

För att skydda produkten mot fukt har en skyddsfilm applicerats på de bearbetade ytorna. Avlägsna denna beläggning med en mjuk duk som fuktats med fotogen eller WD-40.

⚠ VARNING

För att undvika brand eller en toxisk reaktion, använd aldrig bensin, nafta, aceton, thinner eller liknande mycket flyktiga lösningsmedel för att rengöra produkten.

Applicera ett lager vaxpasta på bordet, pelaren och bearbetade ytor på basen för att förhindra rost. Torka av alla delar noggrant med en ren, torr duk.

Artikel	Beskrivning	St.
1	Huvud-enhet	1
2	Arbetsyta	1
3	Bottenplatta	1
4	Stativ	1

5	Pelarenhet	1
6	Stativring	1
7	Matarhandtag	3
8	Snäckdrev	1
9	Låshandtag för bord	1
10	Vevhandtag för bord	1
11	Sexkantsbultar	3
12	Chuck	1
13	Chucknyckel	1
14	4 mm sexkantsnyckel	1
15	3 mm sexkantsnyckel	1

MONTERING OCH JUSTERING

⚠ VARNING

För din egen säkerhets skull, sätt aldrig i kontakten i ett eluttag förrän alla monteringssteg har utförts och du har läst och förstått säkerhets- och driftanvisningarna.

⚠ VARNING

Produkten är ett tungt elektriskt verktyg och ska lyftas av två eller fler personer för säker montering.

MONTERA PELAREN PÅ BASEN

Se bild 5.

1. Placera basen på ett plant, stabilt underlag.
2. Rikta in skruvhålen i pelarenheten så att de passar mot skruvhålen i basen.
3. Placera en sexkantsbult i varje hål.
4. Dra åt varje sexkantsbult med hjälp av en skiftnyckel.

MONTERA BORDET VID PELARENHETEN

Se bilderna 6-10.

1. Sätt i låshandtaget för bordshållaren i det gängade hålet på den bakre delen av bordshållaren.
NOTERA: Sätt i handtaget från vänster till höger, så att det förs in i den icke-gängade sidan av bordshållaren först.
2. För in snäckdrevet genom hålet för bordets vevhandtag i bordshållaren. Försäkra dig om att snäckdrevet griper in i spåren på insidan.
NOTERA: Avlägsna inte smörjningen från snäckdrevet.
3. För in stativet genom spalten i bordshållaren, så att tänderna vetter utåt och den längre, släta änden är vänd uppåt. Snäckdrevet ska gripa in i stativet.
4. Använd båda händerna och skjut på hela kombinationen av bord och stativ på pelaren, tills stativets botten befinner sig i kragen på basen och ligger an mot pelaren.

5. Dra åt bordshållarens låshandtag för att låsa bordsenheten vid pelaren.
NOTERA: Dra inte åt för hårt.
6. Dra stativringen över pelaren med den avfasade sidan nedåt, tills den avfasade sidan griper in i stativets avfasade ände.
7. Dra åt ställskruven i kragen med hjälp av sexkantsnyckeln. För att undvika skador på pelaren eller kragen, dra inte åt ställskruven för hårt.
NOTERA: Du ska kunna flytta bordet från sida till sida.
8. Montera bordets vevhandtag över snäckdrevets ände, så att skaffets platta sida ligger i linje med ställskruven.
9. Dra åt ställskruven med hjälp av sexkantsnyckeln.

MONTERA HUVUDET

Se bild 11.

⚠ VARNING

Pelarbormmaskinens huvud är tungt och ska lyftas av två personer för att montera bormmaskinens huvud på pelaren på ett säkert sätt.

1. Placera huvudet på pelaren med chucken i läge över bordet.
NOTERA: Produkten är tung. Skaffa hjälp vid behov.
2. Skjut ned huvudet så långt det är möjligt. Rikta in bordsenheten i linje med basen och dra sedan åt de två ställskruvarna för huvudet med sexkantsnyckeln.

MONTERA MATARHANDTAGEN

Se bild 12.

1. Fäst de tre matarhandtagen genom att skruva fast dem i de gängade hålen i navenheten.

MONTERA CHUCKEN

Se bilderna 13-15.

⚠ VARNING

Innan chucken monteras på pelarbormmaskinens huvud, rengör alla anliggningsytor med en icke-bensinbaserad produkt. Eventuell olja eller fett som använts vid packningen av dessa delar måste avlägsnas. I annat fall kan chucken lossna under drift.

1. Rengör det koniska hålet i chucken med en ren duk och ett icke-alkoholbaserat rengöringsmedel. Torka noggrant bort alla oljerester och eventuell smuts och föroreningar.
2. Rengör de koniska ytorna på spindeln på samma sätt som ovan.
NOTERA: Försäkra dig om att inga främmande partiklar sitter fast på ytorna. Minsta förorening eller oljerester på någon av dessa ytor hindrar chucken från att placeras korrekt. Detta kommer att göra att borrchuck och borrbitt vinglar hit och dit.
3. Placera chucken på spindeln. Chucken ska vara helt



- öppen för att undvika att skada käftarna.
- Lås upp bordsstödet läs och sväng bort bordet från chuckens nederdel.
 - Sätt i chucken i spindeln, och skjut upp den hela vägen.
 - Använd en träbit för att skydda chucken och knacka chucken ordenligt på plats med en klubba eller hammare.

FÖRSIKTIGHET

Risk för materialskada. För att undvika att skada chucken, slå aldrig fast chucken på spindeln med en metallhammare.

TA BORT CHUCKEN

- Vrid matarhandtagen för att sänka ned chucken till dess lägsta position.
 - Placera en spindelssseparator (ej visad) ovanför chucken och slå lätt på den med en gummihammare eller -klubba för att få chucken att falla ur spindeln.
- NOTERA:** Slå aldrig direkt på chucken med gummihammaren eller -klubban.

NOTERA: För att undvika att chucken skadas, lyft käftarna först hela vägen upp, och var beredd på att fånga chucken när den faller.

MONTERA PELARBORRMASKINEN PÅ ARBETS- YTAN

Se bild 16.

Om produkten ska användas på en fast plats, fäst den vid en arbetsbänk eller någon annan stadig yta.

Om produkten ska användas som ett bärbart verktyg, fäst den permanent vid en monteringskiva som enkelt kan klämmas fast på en arbetsbänk eller någon annan stadig yta. Monteringskivan ska vara tillräckligt stor för att förhindra att produkten välter under användning. En plywood- eller spånskiva av god kvalitet med en tjocklek på 19 mm (3/4") rekommenderas.

- Markera platserna för hålen på ytan där pelarborrmaskinen ska monteras genom att använda hålen i pelarborrmaskinens bas som mall för hålmönstret.
- Borra hål genom monteringsytan.
- Placera pelarborrmaskinen på monteringsytan och rikta in hålen i basen med de hål som borrats i monteringsytan.
- Sätt i bultarna (medföljer ej) och dra åt ordentligt med låsbrickor och sexkantsmuttrar (medföljer ej).

Om träskruvar används, försäkra dig om att de är tillräckligt långa för att gå igenom hål i pelarborrmaskinens bas och i det material som pelarborrmaskinen har monterats på. Om maskinbultar används, försäkra dig om att bultarna är tillräckligt långa för att gå igenom hål i pelarborrmaskinens bas, det material som pelarborrmaskinen har monterats på samt låsbrickorna och sexkantsmuttrarna.

NOTERA: Alla bultar ska sättas i ovanifrån. Montera låsbrickor och sexkantsmuttrar från arbetsbänkens

undersida.

När produkten väl är monterad på en stadig yta:

- Kontrollera om det förekommer vibrationer när motorn slås PÅ.
- Justera och dra åt monteringskomponenterna på nytt vid behov.
- Kontrollera bordsenheten för att säkerställa jämn och problemfri rörelse upp och ned längs pelaren.
- Kontrollera att spindelns skaft rör sig jämnt och problemfritt.

FÖRVARING AV CHUCKNYCKEL

Se bild 17.

En hållare för förvaring av chucknyckeln finns på produktens högra sida.

SNEDBORRNING

Se bild 18.

NOTERA: En skala för snedborrning har inkluderats för att mäta ungefärliga borrhöjningar. Om precision krävs bör en vinkelhake eller annat mätverktyg användas för placering av bordet. Använda skalan för snedborrning:

- Dra åt muttern på låsstiftet medurs med en 10 mm-nyckel eller en skiftnyckel för att frigöra stiftet från dess bordsstöd. Det här stiftet behövs när bordet ska sättas tillbaka i 0 graders vinkel mot bordsstödet. Slarva inte bort det.
- Lösa den stora sexkantsläsbulten för bordsvinkel med hjälp av en 17 mm-nyckel eller en skiftnyckel.
- Luta bordet och rikta in det önskade vinkelmåttet mot nollinjen mitt emot skalan.
- Dra åt läsbulten för bordslutning.
- För att återställa bordet till dess ursprungliga position, lösa läsbulten för bordslutning. Återställ bordet till positionen vid 0°.
- Sätt tillbaka muttern på låsstiftet i änden på gängningen. Knacka lätt på låsstiftet med en gummiklubba tills det sitter i motsvarande hål i bordshållaren. Dra åt muttern för hand.

NOTERA: Själva bordet visas inte i illustrationerna för tydlighetens skull.

VARNING

För att förhindra olycksfall, dra alltid ur kontakten från strömkällan när du gör justeringar.

SPINDEL/FJÄDER

Se bild 20.

Rotera matarhandtagen moturs för att sänka spindeln till dess lägsta position. Håll fast chucken och rör den framåt och tillbaka. Om spelet är för stort, gå vidare med följande justeringar:

- Lösa låsmuttern som finns på produktens högra sida med hjälp av en 10 mm-nyckel.
- Vrid skruven medurs för att eliminera spelet med användning av en skruvmejsel för spårskruv, men hindra inte spindelns rörelse i riktning uppåt. (Lite spel i spindeln är normalt.)



3. Dra åt låsmuttern.

RETURFJÄDER

Se bild 21.

Returfjäderspolen kan behöva justeras om returhastigheten är för snabb eller för långsam. Den här fjädern finns på borrhuvudets vänstra sida.

1. Sänk bordet för att skapa mer utrymme.
2. Placera en skruvmejsel i fjäderkåpens nedre frontutsparing. Håll den på plats medan du lossar och tar bort endast den yttre kontramuttern med hjälp av en 10 mm-nyckel.
3. Med skruvmejseln kvar i utsparingen, lossa den inre muttern, men bara tills utsparingen släpper ingreppet med klacken på pelarborrhuvudet.

NOTERA: Ta inte bort den inre muttern, eftersom fjädern då rullas upp med stor kraft.

4. Vrid försiktigt fjäderkåpan moturs med skruvmejseln, så att nästa utsparing kommer i ingrepp.
5. Sänk fjädern till den lägsta positionen genom att rotera matarhandtagen moturs medan du håller fjäderkåpan på plats.
6. Om fjädern nu rör sig uppåt och nedåt som du önskar, dra åt den inre muttern mot fjäderkåpan med nyckeln. Om den är för lös, upprepa stegen 3 till 5 för att dra åt. Om den är för hårt åtdragen, utför steg 4 och 5 i omvänd ordning.
7. Säkra den yttre muttern mot den inre muttern med nyckeln.

NOTERA: Dra inte åt för hårt, så att fjäderspolens rörelse hindras.

REMSPÄNNING

Se bild 22.

1. Öppna remskivans kåpa.
2. För att låsa upp remspänningen, vrid låsknappen för remspänning moturs. Den finns på höger sida av pelarborrmaskinens huvud.
3. Dra motorn mot framsidan av produkten för att lossa remspänningen.
4. Placera remmen på rätt remskivesteg för den önskade hastigheten.
5. Skjut motorn i riktning bort från pelarborrmaskinens huvud tills remmen har rätt spänning.

NOTERA: Remmen har rätt spänning om remmen böjer sig med ungefär 13 mm (1/2") när du trycker på dess mitt.

6. Dra åt låsknappen för remspänning för att säkra motorn på plats. Stäng remskivans kåpa.

KONTROLLERAJUSTERA LASERINRIKTNING

Produkten är försedd med Laser Trac®.

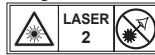
Laserstrålarna gör det möjligt att se borrbittens väg på arbetsstycket som ska borras i förväg, innan du påbörjar arbetet.

⚠ VARNING

Undvik direkt ögonkontakt

En laserstråle strålas ut när laserguiden slås på. Undvik direkt ögonkontakt Koppla alltid bort produkten från strömkällan innan du gör några justeringar.

- En laserpekare är ingen leksak och skall hållas oåtkomlig för barn. Missbruk av denna enhet kan leda till oåterkalleliga ögonskador.
- Justeringar för att öka laserstyrkan är förbjudna.
- När du använder laserpekaren, rikta inte laserstrålen mot människor och/eller mot reflekterande ytor. Även en laserstråle med låg intensitet kan skada ögonen. Titta inte rakt in i laserstrålen.
- Laserpekaren har inga delar som kräver underhåll. Öppna aldrig höljet för reparation eller justeringar.
- Varningsetikett för laser:



- Ta inte bort eller förstör några varningsetiketter. Att ta bort etiketterna ökar risken för exponering för strålning.
- FÖRSIKTIGHET: Om du använder reglage, justeringar eller utför procedurer som inte framgår här kan du utsättas för farlig strålning.
- Försök inte att reparera eller montera isär laserinstrumentet. Om icke kvalificerade personer försöker reparera denna laserprodukt kan det leda till allvariga olycksfall. Eventuellt nödvändiga reparationer på denna laserprodukt ska utföras av personal på en auktoriserad serviceverkstad.
- FÖRSIKTIGHET: Användning av optiska instrument tillsammans med denna produkt ökar risken för ögonskador.

⚠ VARNING

Använd inte färgade glasögon för att förstärka laserljuset. Färgade glasögon minskar den allmänna synligheten för laserfunktionen och stör den normala användningen av verktyget.

⚠ VARNING

Laserstrålning. Rikta aldrig strålen mot ett arbetsstycke med reflekterande yta. Blank, reflekterande stålplåt eller liknande ytor rekommenderas inte för användning av laser. Den reflekterande ytan kan reflektera tillbaka strålen mot operatören eller andra personer.

JUSTERA LASERLINJERNA

Se bild 23.

Kontrollera laserinriktningen för att säkerställa att laserlinjerna skär varandra exakt på den plats

där borrbiten möter arbetsstycket. Om så inte är fallet ska laserlinjerna justeras med hjälp av laserinställningsknapparna som finns på sidorna av huvud-enheten.

1. Märk ut ett X på ett kasserat trästycke.
2. Sätt i en liten borrbitt i chucken och rikta in dess spets mot platsen där linjerna i X:et skär varandra.
3. Fäst trästycket vid bordet.
4. Slå på laserguiden och kontrollera att laserlinjerna är inriktade på X:et på arbetsstycket.
5. Om laserlinjerna inte är rätt inriktade, lossa ställskruvorna på båda sidor om laserkåporna med en sexkantsnyckel och vrid laserinställningsknapparna tills linjerna möts i mitten av X:et. Dra åt skruvorna igen för läsning.

ANVÄNDNING

⚠ VARNING

Tillåt dig inte att bli oförsiktig när du har bekantat dig med maskinen. Glöm inte att om du är ouppmärksam bara bråkdelen av en sekund kan du skada dig allvarligt.

⚠ VARNING

Använd alltid skyddsglasögon eller skyddsglasögon med sidoskydd när du använder redskap. Underlåtenhet att följa denna föreskrift kan leda till att främmande partiklar slungas mot ögonen och framkallar allvarliga ögonskador.

⚠ VARNING

Använd inga andra delar eller tillbehör än sådana som rekommenderas av tillverkaren för detta verktyg. Användning av icke rekommenderade delar eller tillbehör kan medföra risker för allvarliga skador.

⚠ VARNING

För att undvika eventuella olycksfall, håll skyddet stängt och på plats medan verktyget används.

ÄNDRA HASTIGHET OCH REPLACERING

Se bild 24.

Spindelhastigheten bestäms av hur remmen placeras på remskivorna inuti huvud-enheten. Hastighetstabellen som finns på insidan av kåpan på huvud-enheten visar rekommenderad hastighet och remskivekonfiguration för varje borrrörelse.

För att ändra remskivekonfiguration:

1. Öppna remskivans kåpa
2. Lossa spänningsbulten.
3. Ta bort remmen.
4. Sätt tillbaka remmen i enlighet med hastighetstabellen.

5. Dra åt spänningsbulten igen.

NOTERA: Se avsnittet "Rekommenderad borrhastighet" för storlek på borrbitt och rekommendationer avseende borrhastighet.

REKOMMENDERAD BORRHASTIGHET

Diameter borrbitt (Tum)	Material		
	Trä Plast	Aluminium Zink Mässing	Järn Stål
1/16	2430	2430	2430
1/8			1800
3/16		1800	1300
1/4			800
5/16	1300	800	
3/8			
1/2	1800	800	510

Av/på-knapp

Se bild 25.

För att sätta på verktyget:

1. Tryck på knappen PÅ (I).

För att stänga av verktyget:

1. Tryck på knappen AV (O).

⚠ VARNING

Försäkra dig alltid om att borrbiten inte är i kontakt med arbetsstycket innan du slår på brytaren för att starta produkten. Om du inte följer den här varningen kan arbetsstycket kastas bakåt mot dig och orsaka allvarlig skada.

SÄTTA I OCH TA BORT BORRBITAR

Se bild 26.

1. Dra ur produktens elkontakt.
2. Öppna eller stäng chuckkäftarna så att öppningen är något större än bitsstorleken som du planerar att använda.
3. Sätt i borrbiten i chucken upp till hela längden på käftarna.

⚠ VARNING

Sätt inte i borrbiten i chuckens käftar på det sätt som visas i Figur 19. Detta kan leda till att borrbiten kastas ut från produkten och resultera i allvarliga personskador eller skador på chucken.

4. Dra åt chuckens käftar ordentligt med den medföljande chucknyckeln. Använd inte en skiftnyckel för att dra åt eller lossa käftarna.
5. Ta bort chucknyckeln.



6. För att ta bort borrbiten, utför stegen ovan i omvänd ordning.

⚠ VARNING

För att undvika olycksfall eller skador genom att chucknyckeln med våld kastas ut från chucken när strömmen är PÅ, använd endast den självutkastande chucknyckel som följer med denna pelarborrmaskin. Kontrollera alltid en extra gång och ta bort chucknyckeln innan strömmen slås PÅ. Placera chucknyckeln i dess hållare för förvaring när den inte används.

BORRA TILL ETT SPECIFIKT DJUP

Att borra ett blindhål (ett hål som inte går hela vägen genom arbetsstycket) kan göras på två sätt:

Arbetsstycke-metoden

Se bild 27.

1. Märk ut hålets djup på sidan av arbetsstycket.
2. Med brytaren på AV, för ner borrbiten tills dess spets ligger jäms med markeringen.
3. Håll matarhandtaget i detta läge.
4. Vrid ned den nedre muttern så att den kommer i kontakt med djupanslagsöglan på huvudet.
5. Vrid ned den övre muttern och dra åt den mot den nedre muttern.
6. Borrbiten kommer nu att stanna efter att den tillryggalagt det avstånd som markerats på arbetsstycket.

Djupskale-metoden

Se bild 28.

NOTERA: När chucken är i det övre läget ska spetsen på borrbiten befinna sig endast en liten aning ovanför arbetsstyckets ovasida.

1. Med brytaren på AV, vrid på matarhandtaget tills pekaren visar det önskade djupet på djupskalan och håll matarhandtaget i denna position.
2. Vrid ned den nedre muttern så att den kommer i kontakt med djupanslagsöglan.
3. Vrid den övre muttern mot den nedre stoppmuttern och dra åt.
4. Borrbiten kommer nu att stanna efter att den tillryggalagt det avstånd som valts på djupskalan.

Borra ett hål

1. Använd en körnare eller en vass spik för att göra en fördjupning i arbetsstycket där du vill borra.
2. Slå på laserguiden och rikta in laserlinjerna på fördjupningen.
3. Slå på strömbrytaren och dra ned matarhandtagen. Använd bara så mycket kraft att borren kan skära.

Att mata för snabbt kan leda till att remmen eller borren slinter, arbetsstycket slits loss eller borrbiten går sönder. Vid borring i metall är det nödvändigt att smörja spetsen på borrbiten med borrolja för metall för att förhindra överhettning.

FÖR DIN SÄKERHET

⚠ VARNING

För att undvika att dras in i det elektriska verktyget, använd inte löst sittande kläder, handskar, slipsar eller smycken. Sätt alltid upp långt hår.

1. Om någon del av produkten saknas, fungerar fel, är skadad eller trasig, stoppa omedelbart användningen tills denna del har reparerats korrekt eller ersatts.
2. Håll aldrig fingrarna i ett läge där de kan komma i kontakt med borren eller något annat skärverktyg. Arbetsstycket kan oväntat röra på sig eller din hand kan halka.
3. För att förhindra att arbetsstycket slits ur händerna på dig, kastas ut, vrids av verktyget eller splittras, stöd alltid arbetsstycket som följer:
 - Placera alltid underlagsmaterial (används under arbetsstycket) så att det är i kontakt med pelarens vänstra sida.
 - När det är möjligt, placera arbetsstycket så att det är i kontakt med pelarens vänstra sida. Om det är för kort eller om bordet har lutats, spänn fast det ordentligt på bordet med hjälp av spalterna i bordet.
 - Om du använder en tving för en pelarborrmaskin (medföljer ej) fäst den alltid vid bordet.
 - Arbeta aldrig på fri hand (dvs. håll inte arbetsstycket i handen istället för att stöda det på bordet), förutom vid polering och slipning.
 - Lås huvudet och stödet ordentligt vid pelaren, lås bordets arm vid stödet och lås bordet vid bordsarmen innan du använder pelarborrmaskinen.
 - Flytta aldrig huvudet eller bordet medan verktyget är i gång.
 - Innan du påbörjar en process, slå på motorbrytaren för att säkerställa att borren eller annat skärverktyg inte vinglar hit och dit eller orsakar vibrationer.
 - Om ett arbetsstycke skjuter ut över bordet så att det faller eller välter om det inte hålls fast, spänn fast det vid bordet eller använd extra stöd.
 - Använd fästen vid ovanliga operationer, så att arbetsstycket hålls fast, styrs och placeras på rätt sätt.
 - Använd den spindelhastighet som rekommenderas för den specifika uppgiften och arbetsmaterialet. Kontrollera i tabellen på insidan av remskivans kåpa eller se avsnittet "Rekommenderad borrhastighet" för information om borrhastigheter. För tillbehör, se anvisningarna som medföljer varje tillbehör.
4. Kliv aldrig upp på pelarborrmaskinens bord. Det kan gå sönder eller dra ned hela pelarborrmaskinen över dig.
5. Slå AV strömmen vid uttaget när du lämnar produkten.
6. För att undvika olycksfall på grund av utkastade



arbetsstycken eller kontakt med verktyget, utför inte layout-, monterings- eller inställningsarbete på bordet när skärverktyget roterar.

PLACERA BORDET OCH ARBETSSTYCKET

Se bild 29-30.

1. Läs bordet vid pelaren i en position där spetsen på borrbiten befinner sig just ovanför arbetsstyckets ovansida.
2. Placera alltid underlagsmaterial (kasserat trä) på bordet under arbetsstycket. Det förhindrar splittring eller grova skägg på undersidan av arbetsstycket. För att hindra att underlagsmaterialet vrids måste det placeras mot pelarens vänstra sida.
3. Använd lämpliga stödmedel för överhängande arbetsstycken.

⚠ VARNING

För att hindra att arbetsstycket eller underlagsmaterialet kastas ut under borringen, **MÅSTE** arbetsstycket placeras mot pelarens vänstra sida. Om arbetsstycket eller underlagsmaterialet inte är tillräckligt långt för att nå pelaren, spänn fast dem vid bordet för att hålla fast arbetsstycket. Att inte säkra arbetsstycket kan leda till personskador.

⚠ VARNING

En tving för en pelarborrmaskin måste spännas fast eller fästas med bultar vid bordet för att undvika olycksfall beroende på ett roterande arbetsstycke, en skadad tving eller borrbitsdelar.

BEHÅLLA EN BORRPLACERING

1. Använd en körnare eller en vass spik för att göra en fördjupning i arbetsstycket där du ska borra.
2. Slå på laserguiden och rikta in laserlinjerna (x) på fördjupningen innan du slår PÅ borren.

LUTA BORDET

Se bild 31.

NOTERA: Bordsstödet har ett förborrat hål med isatt låsstift för att låsa bordet i en förinställd lutningsvinkel på 0°.

1. Dra åt muttern på låsstiftet medurs med en 10 mm-nyckel eller en skiftnyckel för att frigöra stiftet från bordsstödet. Det här stiftet behövs när bordet ska sättas tillbaka i 0 graders vinkel mot bordsstödet.
2. Lossa den stora sexkantslåsbulten för bordsvinkel med hjälp av en 17 mm-nyckel eller en skiftnyckel.

⚠ VARNING

För att förhindra olycksfall, se till att du håller fast enheten med bord och bordsarm så att den inte vrider sig eller lutar.

3. Luta bordet och rikta in det önskade vinkelmåttet mot nollinjen mitt emot skalan.

132 Översättning av de ursprungliga instruktionerna

4. Dra åt låsbulten för bordslutning.
5. För att återställa bordet till dess ursprungliga position, lossa låsbulten för bordslutning. Återställ bordet till positionen vid 0°.
6. Sätt tillbaka muttern på låsstiftet i änden på gängningen. Knacka lätt på låsstiftet tills det sitter i motsvarande hål i bordshållaren. Dra åt muttern för hand.

⚠ VARNING

För att undvika olycksfall som beror på roterande arbetsstycken eller trasiga verktyg, spänn alltid fast arbetsstycke och underlagsmaterial ordentligt vid bordet innan du använder pelarborrmaskinen.

MATNING

1. Dra ned matarhandtagen. Använd bara så mycket kraft att borrbiten kan skära.
2. För långsam matning kan leda till att borrbiten överhettas. Att mata för snabbt kan leda till att remmen eller borren slinter, arbetsstycket slits loss eller borrbiten går sönder.
3. Vid borring i metall måste borrbитens spets smörjas med olja för att förhindra överhettning av arbetsstycket och borrbiten.

UNDERHÅLL

⚠ VARNING

För din egen säkerhets skull, slå AV brytaren och dra ur kontakten från strömkällan innan du utför underhåll eller smörjer pelarborrmaskinen.

Använd regelbundet och ofta en luftkompressor eller dammsugare för att blåsa bort sågspån och metallspån som samlas i motorn, i remskivans kåpa, på bordet och arbetsytan. Använd alltid skyddsglasögon vid användning av verktyget.

⚠ VARNING

För att undvika elektriska stötar och brandrisk ska elkabeln omedelbart bytas ut av en kvalificerad elektriker eller servicetekniker om den är sliten eller har någon typ av jack.

SMÖRJNING

Alla kullagren i pelarborrmaskinen har fyllts med smörjfett från fabrik. De kräver ingen ytterligare smörjning.

Smörj regelbundet växel och stativ, spindelns lyftmekanism för bordet och fjäderns stativ (tandning). Sänk ned spindel och smörj spindelns mantel måttligt var tredje månad.

TRANSPORT OCH FÖRVARING

Se bild 32.



Vid transport av produkten, koppla från strömladdan och säkerställ att alla delar är ordentligt fästa. Se figur 32 för greppområden vid lyftning av produkten.

Förvara produkten på säker plats där inga barn kan komma åt den.

Rengör produkten med en borste eller dammsugare före förvaring.

SYMBOL



Säkerhetsvarning



CE-märkning



Brittisk CE-märkning



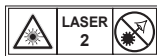
Ukrainsk CE-märkning



EurAsian överensstämmelsesymbol



Läs alla instruktioner noggrant innan du startar produkten.



Laserstrålning.
Titta inte direkt mot strålen.
Laserprodukt av Klass 2



Får inte utsättas för regn eller användas i fuktiga miljöer.



Bär hörselskydd.



Bär alltid ögonskydd.



Chuckkapacitet



Spindelförflyttning



Borriiriktning



Diameter borrbitt (tum)



Trä



Aluminum
Zink
Mässing



Järn
Stål



Kassera inte elektriskt och elektroniskt avfall som osorterat restavfall. Elektriskt och elektroniskt avfall måste samlas in separat. Ljuskällor måste plockas bort från utrustningen. Fråga din lokala myndighet eller återförsäljare om återvinningsråd och uppsamlingsplats. Enligt lokala bestämmelser kan återförsäljare ha en skyldighet att kostnadsfritt ta tillbaka elektriskt avfall och elektronisk utrustning. Ditt bidrag till återanvändning och återvinning av elektriskt och elektroniskt avfall bidrar till att minska behovet av råmaterial. Elektriskt och elektroniskt avfall innehåller värdefulla och återvinningsbara material som kan påverka miljön och människors hälsa negativt, om de inte kasseras på ett miljömässigt kompatibelt sätt. Radera eventuella personuppgifter från avfallsutrustningen.

FELSÖKNING

Problem	Möjlig orsak	Lösning
Bullrig drift.	<ol style="list-style-type: none"> 1. Felaktig remspänning. 2. Spindeln är torr. 3. Spindelns remskiva är lös. 4. Motorns remskiva är lös. 	<ol style="list-style-type: none"> 1. Justera spänningen. Se avsnittet "Remspänning". 2. Smörj spindeln. Se avsnittet "Smörjning". 3. Kontrollera åtdragningen hos remskivans hållmutter, och dra åt vid behov. 4. Dra åt ställskruven i motorns remskiva.
Borrbiten överhettas.	<ol style="list-style-type: none"> 1. Felaktig hastighet. 2. Det kommer inga spån ur hålet. 3. Borrbiten är slö. 4. Matningen är för långsam. 5. Ingen smörjning. 	<ol style="list-style-type: none"> 1. Ändra hastighet. Se avsnittet "Ändra hastighet och replacering". 2. Dra ofta tillbaka borren för att rensa ut spån. 3. Slipa om borrbiten eller ersätt den med en ny borrbit. 4. För snabb matning - låt borren skära. 5. Smörj borren. Se avsnittet "Matning".
Borrbiten har slag, det punktborrade hålet är inte runt.	<ol style="list-style-type: none"> 1. Hård ådring i träet eller skärvägar och/eller vinklar är inte lika. 2. Borrbiten är böjd. 	<ol style="list-style-type: none"> 1. Slipa om borrbiten korrekt. 2. Byt ut borrbiten.
Träet splittras på undersidan.	<ol style="list-style-type: none"> 1. Inget underlagsmaterial under arbetsstycket. 	<ol style="list-style-type: none"> 1. Använd underlagsmaterial. Se avsnittet "Drift".
Arbetsstyckets slits ur handen.	<ol style="list-style-type: none"> 1. Arbetsstycket har inte stötts eller spänts fast ordentligt. 	<ol style="list-style-type: none"> 1. Stöd arbetsstycket eller spänn fast det. Se avsnittet "Drift".
Borrbiten fastnar i arbetsstycket.	<ol style="list-style-type: none"> 1. Arbetsstycket klämmer borrbiten eller för högt matningstryck. 2. Felaktig remspänning. 	<ol style="list-style-type: none"> 1. Stöd arbetsstycket eller spänn fast det. Se avsnittet "Drift". 2. Justera spänningen. Se avsnittet "Remspänning".
För stort slag på borrbit eller vinglighet.	<ol style="list-style-type: none"> 1. Borrbiten är böjd. 2. Lagren är slitna. 3. Borrbiten är inte ordentligt isatt i chucken. 4. Chucken är inte korrekt monterad. 	<ol style="list-style-type: none"> 1. Använd en rak borrbit. 2. Ersätt lagren. 3. Montera borren korrekt. Se avsnitten "Drift" och "Montering och justering". 4. Montera chucken korrekt. Se avsnittet "Montera chucken".
Fjäderreturen är för långsam eller för snabb.	<ol style="list-style-type: none"> 1. Fjäderspolen har fel spänning. 	<ol style="list-style-type: none"> 1. Justera fjäderspänningen. Se avsnittet "Returfjäder".
Chucken sitter inte kvar på spindeln. Vid försök att montera den faller den av.	<ol style="list-style-type: none"> 1. Smuts, fett eller olja på den koniska inre ytan i chucken eller på spindelns koniska yta. 	<ol style="list-style-type: none"> 1. Använd ett icke alkohol-baserat rengöringsmedel och gör ren chuckens och spindelns koniska ytor för att få bort all smuts, fett och olja. Se avsnittet "Montera chucken".

KUVAUS

1. Pääyksikkö
2. Pöytä
3. Pohja
4. Hammastanko
5. Pylväyksikkö
6. Hammastangon rengas
7. Syöttökahvat
8. Kierukkapyörä
9. Pöydän lukituskahva
10. Pöydän kampi
11. Pultit
12. Istukka
13. Istukka-avain
14. 4 mm:n kuusiokoloavain
15. 3 mm:n kuusiokoloavain
16. Tarkkuusruuvalta
17. Jakoavain
18. 12 mm:n kiintoavain
19. Vasara tai kumivasara
20. Yhdistelmäkulmain
21. Puukappale
22. Moottori
23. Laserpää
24. Karan paluukierukka/-jousi
25. Pöydänpidin
26. Hihnapyörästäön kansi
27. Käynnistys/sammutuskytkin
28. Laserkytkin
29. Ylempi suojalaite
30. Asennusreikä
31. Pääyksikön lukitusruuvi
32. Hihnan kiristuksen lukitusnuppi
33. Istukka-avaimen pidike
34. Hihnapyörästäökara
35. Hihnapyörästömoottori
36. Pöydän tuki
37. Pöydän kammien kahvan reikä
38. Pylvään tuki
39. Säättöruuvi
40. Pääyksikkö
41. Pääyksikön lukituksen säättöruuvi
42. Kierrereiät
43. Keskikappale
44. Istukka
45. Pultti x 2 (M12, ei sisälly toimitukseen)
46. Lukitusaluslevy x 4 (Dia. 12mm, ei sisälly toimitukseen)
47. Kumilevy x 2 (Dia. 12mm, ei sisälly toimitukseen)
48. Aluslaatta x 2 (Dia. 12mm, ei sisälly toimitukseen)
49. Vastamutteri x 2 (M12, ei sisälly toimitukseen)
50. Mutteri x 2 (M12, ei sisälly toimitukseen)
51. Työtaso
52. Kaltevuusasteikko
53. Pöydän kallistuksen lukituspultti
54. Mutteri
55. Lukkomutteri
56. Ruuvit
57. Alempi lukituskolo
58. Jousen suojus
59. Ulompi vastamutteri
60. Sisempi mutteri
61. Lovi
62. Nasta
63. Istukan leuat
64. Poranterä
65. Syvyys
66. Syvyyssasteikon osoitin
67. Syvyyssasteikko
68. Ylämutteri
69. Alamutteri
70. Syvyyserojitin
71. Työkappale

Turvallisuus, tehokkuus ja käyttövarmuus ovat pylväsporakoneemme tärkeimpiä ominaisuuksia.

KÄYTTÖTARKOITUS

Tämä pylväsporakone on tarkoitettu poraamaan reikiä puuhun, muoveihin, alumiiniin ja teräkseen.

Laitteen käyttäjän on oltava aikuinen henkilö, joka on lukenut käyttöoppaan ja ymmärtää laitteen käyttöön liittyvät riskit.

Koneen jalusta on kiinnitettävä lujasti tukevan työpenkin päälle. Jos jalustaa ei ole kiinnitetty lujasti, kone saattaa kaatua, liukua tai lähteä liikkeelle alustalla käytön aikana, mikä lisää huomattavasti vakavan henkilövahingon riskiä.

Konetta tulee käyttää kuivissa, hyvin valaistuissa ja riittävästi ilmastoiduissa tiloissa.

Tuote on tarkoitettu yksityiskäyttöön, ja sitä saa käyttää vain yllä kuvatulla tavalla; sitä ei ole tarkoitettu mihinkään muuhun käyttöön.

YLEISET SÄHKÖTYÖKALUJEN TURVALLISUUSVAROITUKSET

VAROITUS

Lue tarkkaavaisesti kaikki tämän työkalun kanssa toimitetut varoitukset, ohjeet ja spesifikaatiot, ja katso lisäksi kuvat. Seuraavassa esitettyjen ohjeiden laiminlyönnistä saattaa olla seurauksena onnettomuuksia kuten tulipalot, sähköiskut ja/tai vakavia kehon vammoja.

Säästä kaikki varoitukset ja ohjeet tulevaa käyttöä varten. Varoituksissa oleva termi "sähkötyökalu" viittaa verkkokäyttöiseen (johdollisiin) sähkötyökaluun tai akkukäyttöiseen (johdottomaan) sähkötyökaluun.

TYÖALUEEN TURVALLISUUS

- Pidä työalue siistinä ja valoisana. Epäjärjestyksessä olevat ja pimeät alueet myötävaikuttavat onnettomuuksiin.
- Älä käytä sähkötyökalua räjähdysalttiissa paikoissa, kuten helposti syttyvien nesteiden tai kaasujen tai pölyn läheisyydessä. Sähkötyökalut kipinöivät, mikä saattaa sytyttää pölyn tai höyryt.
- Pidä lapset ja sivulliset loitolla, kun käytät sähkötyökaluja. Häiriöt voivat saada koneen riistäytymään hallinnasta.

SÄHKÖTURVALLISUUS

- Pistokkeen on sovittava pistorasiaan. Älä koskaan muunna pistoketta millään tavalla. Älä käytä maadoitettujen sähkötyökalujen kanssa minkäänlaisia sovittipistokkeita. Alkuperäiset pistokkeet ja niitä vastaavat pistorasiat pienentävät sähköiskun vaaraa.
- Älä kosketa maadoitettuihin pintoihin, kuten putkiin, lämpöpattereihin, helioihin tai

jääkaappeihin. Jos ruumiisi on maadoitettu, sähköiskun vaara on suurempi.

- Älä altista sähkötyökalua sateelle tai kosteudelle. Sähkötyökaluun joutunut vesi kasvattaa sähköiskun vaaraa.
- Pidä huolta sähköjohdosta. Älä koskaan kannata vedä sähkötyökalua johdosta tai irrota pistoketta johdosta vetämällä. Älä päästä johtoa koskettamaan kuumuuden lähteitä, öljyä, teräviä reunoja tai liikkuvia osia. Vioittunut tai takkuinen johto lisää sähköiskun vaaraa.
- Kun käytät sähkötyökalua ulkotoiloissa, käytä ulkokäyttöön sopivaa jatkajohtoa. Ulkokäyttöön sopivan johdon käyttö pienentää sähköiskun vaaraa.
- Jos sähkötyökalua on pakko käyttää kosteissa tiloissa, käytä jännönsivortalaitteella (RCD) suojattua pistorasiaa. RCD:n käyttö pienentää sähköiskun vaaraa.

KÄYTTÄJÄN TURVALLISUUS

- Ole valpas, katso mitä teet ja käytä maalaisjärkeä laitetta käyttäessäsi. Älä käytä laitetta väsyneenä tai huumeiden, alkoholin tai lääkkeiden vaikutuksen alaisena. Tarkkaamattomuus sähkötyökalua käytettäessä saattaa johtaa vakavaan loukkaantumiseen.
- Käytä henkilökohtaisia suojavarusteita. Käytä aina suojalaseja. Suojavälineiden, kuten hengityssuojaimen, liukumattomien turvakengien, kypärän ja kuulosuojainten, käyttö vähentää henkilövahinkoja.
- Älä anna koneen käynnistyä vahingossa. Varmista, että kytkin on off-asennossa ennen kuin liität tuotteen sähköverkkoon ja/tai akkuun, nostat tai kuljetat sitä. Jos kannat konetyökalua sormi kytkimellä tai jos kytket sähkötyökalun verkkoon kytkimen ollessa päällä, altistat itsesi onnettomuuksille.
- Irrota säätöavaimet ja jakoavaimet ennen sähkötyökalun käynnistystä. Sähkötyökalun pyöriivään osaan jätetty jako- tai säätöavain saattaa johtaa loukkaantumiseen.
- Älä kurkota liian kauan. Säilytä aina kunnollinen jalansija ja tasapaino. Tällöin sähkötyökalua on helpompi hallita odottamattomissa tilanteissa.
- Pukeudu asianmukaisesti. Älä käytä väljiä vaatteita tai koruja. Estä hiusten tai vaatteiden takertuminen liikkuviin osiin. Löysät vaatteet, korut ja pitkät hiukset saattavat tarttua liikkuviin osiin.
- Jos laitteen toimitukseen kuului varustus pölyn poistamiseen tai keräämiseen, varmista, että se on sahaan liitettynä ja toimii oikein. Pölyn kerääminen voi vähentää pölyyn liittyviä vaaroja.
- Älä ole huolimaton ja laiminlyö turvaohjeita vain siksi, että olet käyttänyt usein ennenkin konetyökaluja. Huolimattomuus voi aiheuttaa vakavan vamman sekunnin murto-osassa.

SÄHKÖTYÖKALUN KÄYTTÖ JA HUOLTO

- **Älä pakota laitetta.** Käytä sovellukseesi sopiva a tuotetta. Asianmukainen tuote hoitaa työt paremmin ja turvallisemmin sillä vauhdilla, jota varten se on suunniteltu.
- **Älä käytä sähkötyökalua, jos se ei käynnisty ja sammu katkaisimesta.** Jos sähkötyökalua ei voida hallita katkaisimella, se on vaarallinen ja vaatii korjaamista.
- **Irrota kosketin virtalähteestä ja/tai akkupaketti konetyökalusta aina ennen säätämistä, lisävarusteiden vaihtamista tai työkalun varastointista.** Tällaiset ennaltaehkäisevät turvallisuustoimenpiteet vähentävät vaaraa, että tuote käynnistyy vahingossa.
- **Varastoi sähkötyökalu pois lasten ulottuvilta äläkä anna kenekään, joka ei tunne työkonetta tai näitä ohjeita, käyttää sitä.** Sähkötyökalut ovat vaarallisia kouluttamattomien käyttäjien käsissä.
- **Pidä konetyökalusi lisävarusteineen hyvässä kunnossa.** Tarkista, että liikkuvat osat on kohdistettu oikein ja että ne liikkuvat kunnolla, että osia ei ole rikkoutunut ja että mikään muu seikka ei häiritse laitteen toimintaa. Jos laite on vioittunut, vie se huoltoon ennen sen käyttöä. Monet onnettomuudet johtuvat huonosti huolletuista tuotteista.
- **Pidä leikkuuterät terävinä ja puhtaina.** Kun katkaisutyökalujen terät ovat terävät, ne eivät jumitu ja ohjaaminen on vaivatonta.
- **Käytä tuotetta, tarvikkeita, osia jne. näiden ohjeiden mukaisesti ja ottaen huomioon työskentelyolosuhteet ja tehtävä työ.** Sähkötyökalun käyttö muuhun kuin sille tarkoitettuun työhön voi aiheuttaa vaarallisia tilanteita.
- **Pidä kahvat ja tarttumispinnat kuivina ja puhtaina ja katso, etteivät ne tahriinuu öljystä ja rasvasta.** Jos kahvat ja tarttumispinnat ovat liukkaita, työkalujen turvallinen käsittely ja kontrolli eivät ole hallinnassa ylläpitävissä tilanteissa.

HUOLTO

- **Huollata työkone pätevällä huoltomiehellä, joka käyttää ainoastaan asianmukaisia varaosia.** Tämä varmistaa, että sähkötyökalu on turvallinen.

PYLVÄSPORAKONEEN TURVALLISUUSVAROITUKSET

- **Poran on oltava paikalleen lujasti kiinnitetty.** Pora, joka ei ole kunnolla kiinnitetty, voi liikkua tai kääntyä ja aiheuttaa henkilövahingon.
- **Työkappale on kiristettävä tai kiinnitettävä lujasti tukensa.** Älä poraa kappaleita, jotka ovat liian pieniä kunnolla kiinnitettäväksi. Työkappaleesta kiinni pitäminen kädellä työstön aikana voi johtaa henkilövahinkoon.
- **Älä käytä käsineitä.** Pyörivät osat tai porauslastut voivat tarttua käsineisiin, mikä saattaa johtaa henkilövahinkoon.

- **Pidä kädet poissa porausalueelta työkalun ollessa käynnissä.** Kosketus pyöriiviin osiin tai porauslastuihin voi johtaa henkilövahinkoon.
- **Varmista, että lisävaruste pyörii ennen syöttämistä työkappaleeseen.** Muutoin lisävaruste saattaa jumitua työkappaleeseen aiheuttaen sen odottamattoman liikkeen ja seurauksena henkilövahingon.
- **Jos lisävaruste jumituu, lopeta alaspäin painaminen ja sammuta työkalusta virta.** Tutki ja ryhdy korjaaviin toimenpiteisiin jumitumiseen johtaneen syy poistamiseksi. Työkappaleen jumituminen voi aiheuttaa sen odottamattoman liikkeen ja seurauksena henkilövahingon.
- **Vältä pitkien porauslastujen syntymistä keskeyttämällä säännöllisesti alaspäin kohdistuva paine.** Terävät metallilastut saattavat takertua ja johtaa sen seurauksena henkilövahinkoon.
- **Älä koskaan pyyhi porauslastuja työstöalueelta työkalun ollessa käynnissä.** Kun haluat poistaa lastuja, siirrä lisävaruste pois työkappaleesta, sammuta työkalu ja odota, että lisävaruste on kokonaan pysähtynyt. Käytä lastujen poistamiseen työkalua, kuten harjaa tai koukkuja. Kosketus pyöriiviin osiin tai porauslastuihin voi johtaa henkilövahinkoon.
- **Tarvikkeilla, joiden nopeus on luokiteltu, on oltava vähintään sama luokitus kuin sähkötyökaluun merkitty enimmäisnopeus.** Yli nimellisnopeudella käytetyt lisävarusteet saattavat rikkoutua ja joutuvat hylätyiksi.
- **Pidä poranterät puhtaina ja terävinä.** Terävät poranterät minimoivat sakkauksen. Likaiset ja tylsät terät voivat aiheuttaa porattavan kappaleen suuntausvirheen ja siitä koituvan mahdollisen henkilövahingon käyttäjälle.
- **Pidä kädet poissa työskentelyalueelta.** Pidä kädet poissa poranterästä. Löysät vaatteet, riippuvat korut, pitkä hiukset jne. voivat takertua poranterään.
- **Paina työkappaletta tai tukea aina pylvästä vasten, tällöin työkappale tai tuki ei pääse pyörimään.** Älä koskaan pidä porattavaa työkappaletta kädessäsi.
- **Noudata poran lisälaitteelle ja porattavalle materiaalille annettua nopeussuositusta.**
- **Varmista, että poranterä tai leikkuutyökalu on kunnolla lukittu istukkaan.**
- **Varmista ennen koneen kytkemistä virtalähteeseen tai käynnistämistä, että istukka-avain ei ole jäänyt istukkaan.**
- **Säädä pöytä tai syvyysrajoitin, jotta et poraa pöytäsiin.** Katkaise virta, poista poranterä ja siivoa pöytä ennen kuin lähdet koneelta.
- **Varo laserohjainta käyttäessäsi, että säde ei osu suoraan silmiin.**
- **Varmista aina, että tason suunnattu lasersäde ei aiheuta heijastuksia.** Heijastavat materiaalit

eivät sovellu laserin kanssa käytettäviksi.

- **Älä koskaan laita sormiasi asentoon, jossa ne voivat koskettaa terää tai muuta leikkuutyökalua, jos työkalupalle odottamatta siirtyy.**
- **Älä koskaan suorita mitään tehtävää siirtämällä pääyksikköä tai pöytää suhteessa toisiinsa.** Älä käännä moottorin kytkintä päälle tai aloita mitään tehtävää ennen kuin olet varmistanut, että pääyksikön ja pöydän tuen lukituskahva on kiristetty tiukasti pylväaseen ja pääyksikön ja pöydän tuen kaulukset ovat kunnolla paikoillaan.
- **Varmista ennen virran kytkemistä, että hinnansuojus on alhaalla ja istukka oikein asennettuna.**
- **Lukitse moottorin kytkin POIS PÄÄLTÄ -asentoon (OFF) kun lähdet koneelta.** Älä tee pöydällä aseteltu-, kokoonpano- tai asetustoimenpiteitä leikkuutyökalun pyöriessä, ollessa päällekytkettynä tai virtalähteeseen liitettynä.
- **Jos virtajohto voittuu, se on vaihdettava ainoastaan valmistajalla tai valtuutetussa huollossa, jotta vältytään vaaroilta.**
- **Varastoi käyttämättömät työkalut.** Käyttämättömän laitteen tulee olla varastoitu kuivaan paikkaan ja pois lasten ulottuvilta.
- Suositeltavaa on, että työkalu toimitetaan aina jäännösvirtauslaitteella, jonka nimellinen jäännösvirta on 30 mA tai vähemmän.
- **Säilytä nämä ohjeet.** Viittaa niihin säännöllisesti ja käytä niitä kouluttaessasi muita käyttäjiä. Jos lainaat laitteen, lainaa mukana myös ohjeet.

LASERIN TURVALLISUUSOHJEET

- Laitteessa käytettävä lasersäteily on luokkaa 2, maksimi = 1 mW ja aallonpituus 650 nm. Älä katso lasersädettä suoraan. Sääntöjen laiminlyönti voi johtaa vakavaan loukkaantumiseen.
- Älä katso sädettä käytön aikana.
- Älä suuntaa lasersädettä suoraan muiden silmiin. Tästä voisi koitua vakava silmävamma.
- Älä aseta laseria siten, että kukaan voisi katsoa lasersädettä tahallaan tai vahingossa.
- Älä katso lasersädettä optisilla laitteilla.
- Älä käytä laseria lasten lähellä äläkä anna lasten käyttää sitä.
- Älä yritä korjata laserilaitteita itse.
- Älä yritä vaihtaa mitään laserilaitteen osia itse.
- Korjaustyöt on aina jätettävä laserin valmistajan tai valtuutetun huoltomiehen tehtäväksi.
- Älä vaihda laseria toisen tyyppiseen.

KÄYTÖN RISKIT

Vaikka tuotetta käytettäisiin ohjeiden mukaisesti, ei ole mahdollista täysin eliminoida tiettyjä käyttöön liittyviä riskitekijöitä. Käyttäjän on kiinnitettävä erityistä huomiota näihin kohtiin vähentääkseen vakavan loukkaantumisen

vaaraa.

- Kuulovammat – Käytä asianmukaisia kuulosuojaimia ja rajoita altistumista kovalle metelille.
- Silmävammat – Käytä kasvosuojainta tai suojalaseja käyttäessäsi tuotetta.
- Tärinän aiheuttama vamma - Rajoita altistumista ja noudata tämän käyttöoppaan ohjeita riskien vähentämiseksi.
- Hengityselinvamma tuotteen käytöstä syntyneen pölyn takia – Käytä pölytyypille sopivaa suojainta.

VAROITUS

Joistakin hionta-, sahaus- ja poraus- sekä muista rakennustöistä aiheutuva pöly sisältää kemiallisia aineita, jotka voivat aiheuttaa syöpää ja synnynnäisiä epämuodostumia tai hedelmällisyshäiriöitä. Tässä joitakin esimerkkejä näistä aineista:

- lyijy, lyijyperustaisissa maaleissa,
- kristalloitunut piidioksidi, jota on määrättyissä sementteissä, tiileissä ja muissa muuraustuotteissa ja
- arsenikki ja kromi, joita on määrättyissä kemiallisesti käsitellyissä puutuotteissa.

Näihin tuotteisiin liittyvät vaarat riippuvat tämän tyyppisen työn tekotihydestä. Pienennä altistumista näille kemiallisille aineille työskentelemällä hyvin ilmastoidussa tilassa ja käyttämällä hyväksytyjä suojarusteita kuten mikroskooppisten hiukkasten suodatuksen suunniteltua pölynsuojaaamaria.

SÄHKÖTURVALLISUUS

Käytä ainoastaan kolmijohtoisia sähköjohtoja, joissa on kolmihaarainen maadoituspistoke, sekä kolmireikäisiä pistorasioita, joihin laitteen pistoke sopii. Jos käytät sähkötyökalua hyvin kaukana virtalähteestä, käytä jatkojohtoa, joka on riittävän paksu kestämään laitteen ottama virta. Lian pieni jatkojohto saa jännitteen pienemään, tehon vähenemään ja moottorin ylikuumentamaan.

Tarkasta jatkoakaapeli ennen sen käyttöä irtonaisten tai paljaiden johdinten ja haljenneen tai kuluneen eristyksen varalta.

VAROITUS

Pidä jatkojohto työalueen ulkopuolella. Aseta johto siten, että se ei sähkötyökalua käytettäessä takerru puunpaloihin, työkaluihin tai muihin esteisiin. Tämän ohjeen laiminlyönti voi aiheuttaa vakavia ruumiinvammoja.

VAROITUS

Tarkista jatkojohdot ennen käyttöä. Vaihda vioittunut osa välittömästi. Älä koskaan käytä laitetta vioittuneen johdon kanssa, sillä vioittuneen alueen koskettaminen voi aiheuttaa sähköiskun ja vakavan vamman.

SÄHKÖLIITÄNNÄT

Tässä laitteessa on täsmätyönä valmistettu sähkömoottori. Sen saa kytkeä ainoastaan vaihtovirranlähteeseen, jonka jännite on 220~240V voltia ja taajuus 50 Hz (tavallinen kotitaloudessa käytettävä virta). Älä käytä tätä laitetta tasavirralla. Suuri jännitteen pudotus katkaisee virran, ja moottori ylikuumenee. Jos laite ei toimi kytkettynä pistorasiaan, tarkista virtalähde uudelleen.

NOPEUS JA KYTKENNÄT

Tämä nopeus ei ole vakio, vaan pienenee kuormituksessa ja jännitteen laskiessa. Jännitteen kannalta työpajan sähköjohdot ovat yhtä tärkeitä kuin moottorin teholuokitus. Ainoastaan valoille tarkoitettu johto ei kestä sähkötyökalan moottoria. Lyhyet matkat kestävä sähköjohto on liian kevyt pitkille matkoille. Johto, joka tukee yhtä sähkötyökaluja, ei välttämättä tue kahta tai kolmea.

MAADOITUSOHJEET

Jos siihen tulee vika tai se rikkoutuu, maadoitus tarjoaa sähkövirralle pienemmän vastuksen ja pienentää sähköiskun vaaraa. Tämän laitteen sähköjohdossa on laitteen maadoitusjohdin sekä maadoituspistoke. Pistoke on kytkettävä sitä vastaavaan pistorasiaan, joka on asennettu asianmukaisesti ja maadoitettu kaikkien paikallisten koodien ja säädösten mukaisesti.

Älä tee muutoksia laitteen mukana tulleeseen pistokkeeseen. Jos se ei mahdu pistorasiaan, pyydä pätevää sähköasentajaa asentamaan oikeanlainen pistorasia. Maadoitusjohtimen vääränlainen liittäminen voi aiheuttaa sähköiskun. Maadoitusjohdin on johdin, jonka eristyksen ulkopinta on vihreä keltaisin raidoin, tai se voi olla myös ilman raitoja. Jos sähköjohto tai pistotulppa pitää korjata tai vaihtaa, älä liitä maadoitusjohdinta jännitteelliseen liittimeen.

Korjaa tai vaihda vioittunut tai kulunut johto välittömästi.

SUOSITELLUT LISÄLAITTEET**VAROITUS**

Käytä vain tälle koneelle suositeltuja lisälaitteita. Noudatta lisälaitteiden mukana tulevia ohjeita. Sopimattomien lisälaitteiden käyttö voi olla vaarallista.

- Poranterä
- Alas painettavat kiinnittimet
- Pylväsporakoneen puristimet

VAROITUS

Käytä ainoastaan tälle koneelle suunniteltuja lisälaitteita, niin vältty rikkoutuneiden laitteenosien tai työkalupaleiden osien sinkoutumisen aiheuttamilta loukkaantumisilta.

Älä käytä lisälaitetta ennen kuin olet lukenut huolellisesti ja kokonaan kyseistä laitetta koskevat ohjeet tai sen käyttöoppaan.

PAKKAUKSEN SISÄLTÖ**PURKAMINEN JA SISÄLLÖN TARKISTAMINEN****VAROITUS**

Jos jokin osa puuttuu tai on vahingoittunut, älä kytke konetta pistorasiaan ennen kuin puuttuva tai vahingoittunut osa on korvattu uudella ja kokoonpano on täydellinen.

Pura huolellisesti kone ja sen kaikki osat ja vertaa alla olevaan luetteloon.

Koneen pinnat ovat saaneet kosteudelta suojaavan käsittelyn. Poista kosteudelta suojaava pinnoite petrooliin tai WD-40:een kostutetulla pehmeällä kankaalla.

VAROITUS

Älä koskaan käytä koneen puhdistamiseen bensiiniä, naftaa, asetonia, lakkaohennetta tai vastaavia herkästi haihtuvia liuottimia, sillä niiden käyttöön liittyy tulipalon tai myrkyttymisen riski.

Levitä pöytäan, pylväaseen ja koneen jalustan pinnalle ruosteelta suojaava vahakerros. Pyyhi kaikki osat huolellisesti puhtaalla, kuivalla kankaalla.

Kohde	Kuvaus	Määrä
1	Pääyksikkö	1
2	Pöytä	1
3	Pohja	1
4	Hammastanko	1
5	Pylväsyksikkö	1
6	Hammastangon rengas	1
7	Syöttökahvat	3
8	Kierukkapyörä	1
9	Pöydän lukituskahva	1
10	Pöydän kampi	1
11	Pultit	3

12	Istukka	1
13	Istukka-avain	1
14	4 mm:n kuusiokoloavain	1
15	3 mm:n kuusiokoloavain	1

KOKOONPANO JA SÄÄDÖT

VAROITUS

Älä koskaan liitä, oman turvallisuutesi tähden, pistotulppaa virtalähteen pistorasiaan ennen kuin olet käynyt läpi kaikki kokoonpanovaiheet sekä lukenut ja ymmärtänyt turvallisuutta ja käyttöä koskevat ohjeet.

VAROITUS

Tämä kone on raskas sähkötyökalu, jonka turvalliseen kokoamiseen tarvitaan kahden tai useamman henkilön nostoapu.

PYLVÄÄN KOKOAMINEN JALUSTAAN

Katso kuvaa 5.

- Sijoita jalusta tasaiselle, tukevalle tasolle.
- Aseta pylväskokoonpanon ruuvireiät ja jalustan ruuvireiät kohdakkain.
- Laita jokaiseen reikään pultti.
- Kiristä pultit jakoavaimella.

PÖYDÄN ASENTAMINEN PYLVÄSKOKOONPANOON

Ks. kuvat 6-10.

- Työnnä pöydänpidikkeen lukituskahva pidikkeen takana olevaan kierteillä varustettuun reikään.
HUOM: Asenna kahva vasemmalta oikealle siten, että se menee ensin sisään pöydänpitimen kierteettömältä puolelta.
- Vie kierukkapyörä pöydänpitimessä olevan pöydän kammen reiän läpi. Varmista, että kierukkapyörä lomittuu sisäpuolella olevaan vaihteeseen.
HUOM: Älä poista voiteluöljyä kierukkapyörästä.
- Vie hammastanko pöydänpitimessä olevan reiän läpi siten, että hampaat osoittavat ulospäin ja pidempi sileä pää osoittaa ylöspäin. Kierukkapyörän pitää kytkeytyä hammastankoon.
- Liu'uta molemmin käsin koko pöytä ja hammastanko pylvääseen, kunnes hammastangon alapää on sijoittunut jalustan kaulukseen ja pylvästä vasten.
- Lukitse pöytäkokoonpano pylvääseen pöydänpidikkeen lukituskahvaa kiristämällä.
HUOM: Älä kiristä liikaa.
- Liu'uta hammastangon rengas, viistetty sivu alas päin, pylvään yli, kunnes viistetty sivu kytkeytyy hammastangon viistoon päähän.
- Kiristä kauluksen säätöruuvi kuusiokoloavaimella. Älä kiristä ruuvia liikaa, jotta pylväs tai kaulus ei

vahingoitu.

HUOM: Pöytää pitää pystyä liikutamaan puolelta toiselle.

- Asenna pöydän kampi kierukkapyörän loppupään yli siten, että akselin tasainen sivu on linjassa säätöruuvien kanssa.
- Kiristä säätöruuvi kuusiokoloavaimella.

PÄÄYKSİKÖN ASENTAMINEN

Katso kuvaa 11.

VAROITUS

Pylväsporakoneen pääyksikkö on raskas, siksi sen nostamiseen pylvääseen liitettäessä tarvitaan kaksi henkilöä, jotta asentaminen olisi turvallista.

- Sijoita pääyksikkö pylvääseen siten, että istukka on pöydän yläpuolella.
HUOM: Tuote on painava. Hanki tarvittaessa apua.
- Liu'uta pääyksikkö niin alas kuin se menee. Aseta pöytäkokoonpano jalustan suuntaisesti ja kiristä sitten pääyksikön kaksi säätöruuvia kuusiokoloavaimella.

SYÖTTÖKAHVOJEN ASENTAMINEN

Katso kuvaa 12.

- Liitä kolme syöttökahvaa paikoilleen kiertämällä ne keskikappaleessa oleviin kierteillä varustettuihin reikiin.

ISTUKAN ASENTAMINEN

Ks. kuvat 13-15.

VAROITUS

Ennen kuin asennat istukkakokoonpanon pylväsporakoneen pääyksikköön, puhdista kaikki kosketuspinnat öljyä sisältämättömällä puhdistusaineella. Osista on huolellisesti poistettava pakkaamisen yhteydessä niihin levitetty öljy tai rasva, muutoin istukka saattaa käytössä löystyä.

- Puhdista istukassa oleva kartioreikä alkoholia sisältämättömään puhdistusaineeseen kostutetulla puhtaalla kankaalla. Pyyhi huolellisesti pois kaikki öljyjäämät ja lika.
- Puhdista karan kartiopinnat edellä kuvatulla tavalla.
HUOM: Varmista, että pintoihin ei ole liimaantunut hiukkasia. Vähäisinkin lika tai öljyjäämät näissä pinnoissa estää istukkaa asettumasta kunnolla paikalleen. Tällöin porakoneen istukka ja terä alkavat värisemään.
- Istukan sijoittaminen karaan. Istukka on avattava kokonaan, jotta kiinnitysleuat eivät vahingoitu.
- Avaa pöydän tuen lukitus ja poista pöytä istukan alta.
- Työnnä istukka karaan työntämällä sitä ylöspäin koko matka.
- Suojaa puupalalla istukkaa ja napauta se lujasti paikalleen nuijalla tai vasaralla.

VAROITUS

Riski esinevahingosta. Älä koskaan pakota istukkaa karaan paljaalla metallivasaralla lyömällä, sillä se voi vahingoittaa istukkaa.

ISTUKAN IRROTTAMINEN

1. Laske istukka alimpaan asentoonsa syöttökahvoja kääntämällä.
2. Aseta pallonivelen irrotushaarukka (ei näytetty) istukan yläpuolelle ja napauta sitä kevyesti vasaralla tai kuminuijalla, jolloin istukan pitäisi pudota karasta.

HUOM: Älä koskaan lyö vasaralla tai kuminuijalla istukkaan suoraan.

HUOM: Estä istukan vahingoittuminen nostamalla kiinnitysleukoja ensin koko matka ja valmistaudu sitten sieppaamaan istukka sen pudotessa.

PLYVÄSPORAKONEEN ASENTAMINEN TYÖTASOON

Katso kuvaa 16.

Jos konetta on tarkoitus käyttää pysyvästi yhdessä ja samassa paikassa, se tulee kiinnittää lujasti työpenkkiin tai muuhun tukevaan ja vakaaseen tasoon.

Jos konetta on tarkoitus käyttää siirrettävänä työkaluna, se tulee kiinnittää ensin lujasti asennuslevyyn, joka sitten voidaan helposti kiinnittää työpenkkiin tai muuhun tukevaan tasoon. Asennuslevyn pitää olla riittävän suuri, jotta se ei keikahda konetta käytettäessä. Suositeltavaa on hyvä vaneeri tai lastulevy, jonka paksuus on 19 mm (3/4").

1. Merkkää pintaan pylväsporakoneen jalustan avulla koneelle kiinnitysreiät.
 2. Poraa reiät asennuslevyn läpi.
 3. Sijoita pylväsporakone asennuslevyn päälle siten, että jalustan reiät osuvat asennuslevyn porattuihin reikiin.
 4. Laita pultit (eivät sisälly toimitukseen) reikiin ja kiristä ne tiukalle lukkoaluslevyillä ja kuusiomuttereilla (eivät sisälly toimitukseen).
- Jos käytät kuusiokantaisia puuruuveja, varmista, että ne ovat asennukseen riittävän pitkiä, ts. yltävät pylväsporakoneen jalustan läpi asennuspintaan. Jos käytät konepultteja, varmista, että pultit ovat asennukseen riittävän pitkiä pylväsporakoneen reikien, asennuslevyn materiaalin, lukkoaluslevyjen ja muttereiden suhteen.

HUOM: Pultit on työnnettävä paikoilleen ylhäältä päin. Asenna lukkoaluslevyt ja mutterit työpenkin alapuolelta.

Kun kone on tukevalle alustalle lujasti kiinnitettyä:

1. Tarkista tärinä moottorin ollessa päälle kytkettynä (ON).
2. Säädä ja kiristä kiinnityskorvakkeet tarvittaessa uudelleen.
3. Varmista, että pöytäkokoonpano liikkuu pylväässä tasaisesti ylös ja alas.
4. Varmista, että kara-akseli liikkuu kitkattomasti.

ISTUKKA-AVAIMEN SÄILYTTÄMINEN

Katso kuvaa 17.

Koneen oikealla sivulla on pidike istukka-avaimen säilyttämistä varten.

VIISTOPORAUS

Katso kuvaa 18.

HUOM: Toimituksen mukana tulevalle viistoasteikolla voi mitata likimääräisiä viistokulmia. Jos pöydän sijoittamisessa tarvitaan tarkkuutta, silloin tulee käyttää kulmainta tai jotain muuta mittausvälinettä. Näin käytät viistoasteikkoja:

1. Kiristä myötäpäivään lukitustapin mutteri 10 mm:n kiintoavaimella tai jakoavaimella tapin vapauttamiseksi pöydän tuetaan. Tätä tappia tarvitaan, kun pöytä asetetaan takaisin 0-asteen asetukseen pöydän tuesta. Älä heitä tappia pois.
2. Löysää pöydän kallistuksen iso kuusikulmainen lukituspultti 17 mm:n kiintoavaimella tai jakoavaimella.
3. Kallista pöytää ja kohdista haluttu kulmamittaustulos nollaviivaan asteikkoja vastapäätä.
4. Kiristä pöydän kallistuksen lukituspultti.
5. Palauta pöytä alkuperäiseen asentoonsa löysäämällä pöydän kallistuksen lukituspultti. Palauta pöytä 0°:n asentoon.
6. Palauta lukitustapin mutteri kierteiden ulkoreunaan. Napauta lukitustappia kevyesti kuminuijalla, kunnes se on paikallaan pöydänpitimen soviteporareissä. Kiristä mutteri käsin.

HUOM: Piirroksesta pöytä on selkeyden vuoksi poistettu.

VAROITUS

Estä henkilövahingot irrottamalla pistotulppa virtalähteestä aina tehdessäsi säätöjä.

KARA / PINOLI

Katso kuvaa 20.

Pyöritä syöttökahvoja vastapäivään, jolloin kara laskeutuu alimpaan asentoonsa. Ota kiinni istukasta ja siirrä se edestä taakse. Jos vällys on liian suuri, tee seuraavat säädöt:

1. Löysää 10 mm:n kiintoavaimella koneen oikealla sivulla oleva lukitusmutteri.
2. Kierrä tarkkuusruvivaltalla ruuvia myötäpäivään vällyksen poistamiseksi, estämättä karan ylöspäin suuntautuvaa liikettä. (Vähäinen vällys karassa on normaalia.)
3. Kiristä lukitusmutteri.

KARAN PALUUIJOUSI

Katso kuvaa 21.

Karan paluuijousi voi tarvita säätämistä, jos karan paluunopeus on liian suuri tai liian hidas. Tämä jousi sijaitsee porakoneen pääyksikön vasemalla sivulla.

1. Laske pöytää alemmaksi, jolloin näkyvyys paranee.



2. Aseta ruuvitalta jousen suojuksen etuosan alempaan lukituskoloon. Pidä sitä paikallaan samalla kun 10 mm:n kiintoavaimella löysäät ja poistat ainoastaan ulomman vastamutterin.
3. Ruuvitalttaa edelleen lukituskolossa pitäen löysää sisempää mutteria, kunnes lukituskolo kytkeytyy pois porakoneen pääyksikön nastasta.
HUOM: Älä poista tätä sisempää mutteria, muutoin jousi purkautuu väkisin auki.
4. Käännä ruuvitaltalla jousen suojusta varovasti vastapäivään seuraavan kolon lukitsemiseksi.
5. Pidä jousen suojus koko ajan asemassaan ja laske samanaikaisesti syöttökahvaa vastapäivään pyörittämällä kara alimpaan asentoonsa.
6. Jos kara liikkuu ylös ja alas halutulla tavalla, kiristä kiintoavaimella sisempi mutteri jousen suojusta vasten sekä jousen suojus. Jos se on liian löysällä, toista kiristämiseen liittyvät vaiheet 3-5. Jos se on liian kireällä, suorita käänteisesti vaiheet 4 ja 5.
7. Kiristä kiintoavaimella ulompi mutteri sisempää mutteria vasten.

HUOM: Älä kiristä liikaa, se rajoittaa karan liikkumista.

HIHNNAN KIREYS

Katso kuvaa 22.

1. Avaa hinnapyörästänsä kansi.
2. Vapauta hihnan kireys kääntämällä pylväsporakoneen pääyksikön oikealla sivulla olevaa hihnan kiristysnuppia vastapäivään.
3. Löysää hihnan kireys vetämällä moottoria kohti koneen etuosaa.
4. Aseta hihna oikeisiin portaisiin hinnapyörässä, haluamallasi nopeudella.
5. Työnnä moottoria pois päin porakoneen pääyksiköstä, kunnes hihna on oikeassa kireydessä.
HUOM: Hihnan kireys on oikea, jos hihna taipuu n. 13 mm kun sitä painetaan keskeltä.
6. Kiinnitä moottori lujasti paikalleen hihnan kireyden lukitusnuppia kiristämällä. Sulje hinnapyörästänsä kansi.

LASERIN KOHDISTUKSEN TARKISTAMINEN/ SÄÄTÄMINEN

Koneessa on Laser Trac®.

Lasersäteiden avulla voit ennen työn aloittamista esikatsella poran terän polun porattavassa työkappaleessa.

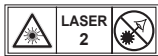
VAROITUS

Vältä katsomasta suoraan lasersäteeseen

Laservalo säteilee laserohjaimen ollessa päällä. Vältä katsomasta suoraan laservaloon Ota koneen pistotulppa aina irti pistorasiasta ennen kuin teet säätöjä.

- Laserosoitin ei ole leikkikalua, joten huolehdi siitä, että se ei joudu lasten käsiin. Tämän kojeen väärinkäyttö voi aiheuttaa korjaamattomia silmävammoja.

- On kiellettyä tehdä säätöjä laserin voimakkuuden lisäämiseksi.
- Älä koskaan kohdista lasersädettä ihmisiin äläkä heijastaviin pintoihin. Heikkokin lasersäde voi aiheuttaa silmävamman. Älä katso lasersädettä suoraan.
- Laserosoitimessa ei ole huollettavia osia. Älä koskaan avaa laserin koteloa korjaamista tai säätämistä varten.
- Laserin varoitusmerkinä:



- Älä poista äläkä tölhi varoitusmerkinä. Merkkien poistaminen lisää riskiä säteilylle altistumisesta.
- VAROITUS: Muut kuin tässä kuvatut ohjaukset, säätö- tai käyttömenetelmät voivat johtaa vaaralliseen altistumiseen säteilylle.
- Älä yritä korjata tai purkaa laserin tasoa. Jos muu kuin valtuutettu ammattilainen yrittää korjata tätä laserkojetta, seurauksena voi olla vakava vamma. Jos laserkoje tarvitsee korjaamista, sen saa suorittaa ainoastaan valtuutettu korjaaja.
- VAROITUS: Optisten välineiden käyttäminen yhdessä tämän laserin kanssa lisää silmien vahingoittumisen riskiä.

VAROITUS

Älä käytä sävytettyjä lasia laservalon tehostamiseksi. Sävytettyt lasit rajoittavat kokonaisnäkyä kojeeseen ja häiritsevät työkalun normaalia käyttöä.

VAROITUS

Laser-säteilyä. Älä käytä sädettä työkappaleelle, jossa on heijastava pinta. Kirkas, kiiltävä, heijastava teräslevy tai vastaavat heijastavat pinnat eivät ole suositeltavia laserille. Säde voi heijastua heijastavasta pinnasta takaisin käyttäjään tai muihin henkilöihin.

LASERIIVOJEN SÄÄTÄMINEN

Katso kuvaa 23.

Tarkista laserin kohdistus varmistaaksesi, että laseriviivojen leikkauspiste on tarkasti kohdassa, jossa poranterä osuu työkappaleeseen. Jos niin ei ole, laseriviivat pitää säätää laserin säätönupeilla, jotka sijaitsevat pääyksikön vastakkaisilla sivuilla.

1. Ota puukappale ja merkkaa siihen "X".
2. Työnnä istukkaan pieni poranterä ja kohdista sen kärki "X"-merkinnän viivojen keskisteeseen.
3. Kiinnitä levy pöytään.
4. Laita laserohjain päälle ja tarkista, että laseriviivat ovat linjassa työkappaleen "X"-merkinnän kanssa.
5. Jos näin ei ole, löysää kuusiokoloavaimella laserin molempien koteloiden säätöruuveja ja pyöritä



laserin säätönuppeja, kunnes viivat kohtaavat "X"-merkin keskiossa. Kierrä säätöruuvit takaisin lujasti kiinni.

KÄYTTÖ

VAROITUS

Älä tule varomattomaksi sen takia, että tunnet laitteen. Muista aina, että pieninkin hetken kestävä huolimattomuus voi johtaa vakavaan loukkaantumiseen.

VAROITUS

Käytä aina sivulta suojaavia suojalaseja käyttäessäsi työkaluja. Tämän ohjeen laiminlyönti voi aiheuttaa kappaleiden sinkoutumista silmiin käytön aikana ja aiheuttaa täten vakavia silmävammoja.

VAROITUS

Älä käytä muita, kuin valmistajan tälle työkalulle suosittelemia varaosia ja lisävarusteita. Muiden kuin suositeltujen lisävarusteiden ja lisävarusteiden käyttö voi aiheuttaa vakavan loukkaantumisen.

VAROITUS

Vältä mahdollisilta vammoilta, kun pidät suojuksen suljettuna paikallaan työkalun ollessa käytössä.

NOPEUDEN MUUTTAMINEN JA HIHAN VAIHTAMINEN

Katso kuvaa 24.

Hihnan paikka hihnapyörissä pääyksikön sisällä määrää karan nopeuden. Pääyksikön sisällä olevasta kannesta löytyvä nopeuskaavio näyttää kullekin poraustehtävälle suositellun nopeuden ja hihnapyörästön asetusten säädön.

Näin muutat hihnapyörästön asetusten säätöjä:

1. Nosta hihnapyörästön kansi.
2. Löysää kiristyspultti.
3. Poista hihna.
4. Laita hihna takaisin paikalleen nopeuskaavion mukaisesti.
5. Kierrä kiristyspultti takaisin kiinni.

HUOM: Katso osiosta "Suositeltu porausnopeus" lisätietoa käytettävän poranterän kokoa ja porausnopeutta koskevista suosituksista.

SUOSITELTU PORAUENOPEUS

PORAUENOPEUSTALUKKO (RPM)

Poranterän läpimitta (Tuumaa)	Materiaali		
	Puu Muovit	Alumiini Sinkki Messinki	Rauta Teräs
1/16	2430	2430	2430
1/8			1800
3/16		1800	1300
1/4			800
5/16		1300	800
3/8	1800		
1/2	1800	800	510

Käynnistys/sammutuskytkin

Katso kuvaa 25.

Laitteen käynnistäminen:

1. Paina PÄÄLLÄ-painiketta (I).

Laitteen sammuttaminen:

1. Paina POIS PÄÄLTÄ -painiketta (O).

VAROITUS

Varmista aina ennen koneen päällekytkemistä, että työkappale ei kosketa poranterää. Tämän varoituksen laiminlyönti voi saada työkappaleen ponnahtamaan käyttäjää kohden ja aiheuttaa vakavan loukkaantumisen.

PORANTERIEEN KIINNITTÄMINEN JA IRROTTAMINEN

Katso kuvaa 26.

1. Irrota koneen pistotulppa pistorasiasta.
2. Avaa tai sulje istukan leuat niin, että aukko on hieman suurempi kuin terä, jota aiot käyttää.
3. Työnnä poranterä istukkaan kiinnitysleukojen koko pituudelta.

VAROITUS

Älä työnnä poranterää istukkaan ja kiristä kuvan 19 mukaisesti. Tällainen kiinnitys voi singota poranterän koneesta, mikä saattaa johtaa vakavaan henkilövammaan tai vioittaa istukkaa.

4. Kiristä istukan leuat hyvin toimituksen mukana tulleella istukka-avaimella. Älä kiristä tai avaa istukan leukoja kiintoavaimella.
5. Poista istukka-avain.
6. Irrota poranterä edellä kuvatulle päinvastaisessa järjestyksessä.

VAROITUS

Jos istukka-avain on paikallaan, kun kone käynnistetään, se sinkoutuu voimalla pois paikaltaan ja saattaa aiheuttaa vakavan henkilövamman tai onnettomuuden. Käytä sen vuoksi ainoastaan tämän pylväsporakoneen toimituksen mukana tulevaa itseirtoavaa koloavainta. Tarkista aina vielä kerran, onko istukka-avain paikallaan ja poista se ennen kuin kytket koneeseen virran (ON). Kun istukka-avain ei ole käytössä, laita se sen säilyttämiseen tarkoitettuun pidikkeeseen.

MÄÄRÄTTYYN SYVYYTEEN PORAAMINEN

Määrättyyn syvyyteen porattava pohjareikä (reikä, joka ei mene työkappaleen läpi) voidaan porata kahdella tapaa:

Työkappalemenetelmä

Katso kuvaa 27.

1. Merkkää työkappaleen sivuun reiän syvyys.
2. Koneen ollessa päältä pois kytkettynä (OFF), tuo poranterä alas, kunnes terän kärki on tekemäsi merkin tasalla.
3. Pidä syöttökahva tässä sijainnissa.
4. Kierrä alamutteria alaspäin pääyksikön syvyysrajoittimeen asti.
5. Kierrä ylämutteri alas ja kiristä alamutteria vasten.
6. Poranterä pysähtyy nyt kuljettuaan työkappaleeseen merkatun matkan.

Syvyysasteikkomenetelmä

Katso kuvaa 28.

HUOM: Kun istukka on yläasennossa, poranterän kärjen pitää olla vain hieman irti työkappaleen pinnasta.

1. Koneen ollessa kytkettynä pois päältä (OFF) käännä syöttökahvaa, kunnes kohdistin osoittaa haluttua syvyyttä syvyysasteikolla ja pidä syöttökahva siinä asennossa.
2. Kierrä alamutteria alaspäin, kunnes se koskettaa syvyysrajoittainta.
3. Kierrä ylämutteria alemmaa mutteria vasten ja kiristä.
4. Poranterä pysähtyy nyt kuljettuaan syvyysasteikkoon vaihtun matkan.

Reiän poraaminen

1. Tee työkappaleeseen pistepuikolla tai terävällä naulalla pieni painuma kohtaan, johon haluat porata.
2. Laita laserosahjain päälle ja kohdista laserviivat kolon kanssa.
3. Kytke koneeseen virta ja vedä syöttökahvoista alaspäin vain sillä voimalla, jonka pora tarvitsee leikatukseen.

Liian nopea syöttäminen voi aiheuttaa hinnan tai poran luiskahtamisen, työkappaleen repeämisen tai poranterä voi rikkoutua.

Kun poraat metallia, voitele poranterän kärki metallin poraukseen tarkoitettulla öljyllä, se estää ylikuumentumisen.

EHKÄISEVIÄ SUOJATOIMENPITEITÄ

VAROITUS

Älä käytä löysiä vaatteita, käsineitä, solmiota tai riipuksia, jotka voisivat takertua sähkötyökaluun ja aiheuttaa vahinkoa. Pitkät hiukset on aina sidottava taakse.

1. Jos jokin koneen osista puuttuu, ei toimi kunnolla, on vahingoittunut tai rikkoutunut, lopeta koneen käyttö välittömästi, kunnes virallinen osa on korjattu käyttökelpoiseksi tai vaihdettu.
2. Älä koskaan laita sormiasi paikkaan, jossa ne voivat joutua kosketuksiin poranterän tai muun leikkuutyökulun kanssa. Työkappale voi odottamatta vaihtaa suuntaa tai kätesi lipsahtaa.
3. Estääksesi työkappaletta tempautumasta käsistäsi, sinkoutumasta, kierähtämästä työkalun voimasta tai pirstoutumasta, tue työkappale aina kunnolla seuraavalla tavalla:
 - Aseta tukimateriaali (käytetään työkappaleen alla) aina siten, että se on kosketuksissa pylvään vasempaan sivuun.
 - Aina kun mahdollista, sijoita työkappale siten, että se on kosketuksissa pylvään vasempaan sivuun. Jos työkappale on liian lyhyt tai pöytä kallistettu, kiinnitä työkappale lujasti pöytään pöydän hahloja hyväksi käyttäen.
 - Kun käytät porakoneessa puristinta (ei sisälly toimitukseen), kiinnitä se aina pöytään.
 - Älä koskaan tee mitään toimenpidettä vapaalla kädellä (pidät työkappaletta kädessä tukematta sitä pöytään), paitsi jos kiillotat tai hiot.
 - Kiinnitä ennen porakoneen käyttämistä pääyksikkö ja tuki lujasti pylvääseen, pöydän varsi tukeen ja pöytä pöydän varteen.
 - Älä koskaan liikuta pääyksikköä tai pöytää koneen käydessä.
 - Ennen kuin aloitat koneen käytön, kokeile moottorin kytkimellä, että porakone tai muu leikkuutyökalu ei vaapu tai värise.
 - Pöydän yli yltävä työkappale voi pudota tai keikahtaa, jos siitä ei pidä kiinni, kiinnitä pöytään tai käytä lisätukea.
 - Käytä epätavanomaisissa toimenpiteissä kiinnittämiä työkappaleen riittäväksi pitämiseksi, ohjaamiseksi ja sijoittamiseksi.
 - Noudata tiettyä toimenpidettä ja työkappaleen materiaalia koskevia karan nopeudelle annettuja suosituksia. Tarkista porausnopeutta koskevat tiedot hihnapyörästänsä kannen sisäpuolella olevasta laatasta tai osiosta "Suositeltu porausnopeus". Katso lisälaitteiden osalta toimituksen mukana tulleet laitekohtaiset ohjeet.
4. Älä koskaan astu porakoneen pöydälle, se voi rikkoutua tai koko kone voi kaatua päällesi.
5. Kun lähdet koneelta, kytke virta pois päältä (OFF) irrottamalla pistotulppa pistorasiasta.
6. Älä tee pöydällä asettelu-, kokoonpano- tai

asetustoimenpiteitä leikkuutyökälun pyöriessä, siten vältyt sinkoutuvaan työkappaleen tai työkälun kanssa kosketuksiin joutumisen aiheuttamalta loukkaantumiselta.

PÖYDÄN JA TYÖKAPPALEEN SIOJITTAMINEN

Katso kuvaa 29-30.

1. Lukitse pöytä pylvääseen siten, että poran terän kärki on vain hieman irti työkappaleen pinnasta.
2. Käytä pöydällä olevan työkappaleen alla aina tukimateriaalia (puukappale). Se estää halkeilut tai repeilyt työkappaleen alapinnassa. Estä tukimateriaalin kieppuminen sijoittamalla se pylvään vasenta sivua vasten.
3. Käytä työkappaleen paikallaan pitämiseen asianmukaisia apuvälineitä.

VAROITUS

Jotta työkappale tai tukimateriaali ei sinkoutuisi porauksen aikana, työkappale PITÄÄ sijoittaa pylvään vasenta sivua vasten. Jos työkappale tai tukimateriaali ei ole tarpeeksi pitkä yltääkseen pylvääseen, kiinnitä ne pöytään työkappaletta tukemaan. Työkappaleen huolimaton kiinnittäminen voi johtaa henkilövahinkoon.

VAROITUS

Porakoneen puristin pitää kiinnittää tai pultata pöytään, jotta vältytään kieppuvan työkappaleen aiheuttamalta henkilövahingolta tai puristimen tai poran terän vioittumiselta.

PORAUSKOHDAN PITÄMINEN

1. Tee työkappaleeseen pieni painuma pistepuikolla tai terävällä naulalla kohtaan, johon haluat porata.
2. Käynnistä laserohjain ja kohdista laserviivat (x) painuman kanssa ennen poran päällekytkemistä (ON).

PÖYDÄN KALLISTAMINEN

Katso kuvaa 31.

HUOM: Pöydän tuessa on esiporattu reikä, johon työnnetty lukitustappi lukitsee pöydän esiporattuun 0°:n viistokulmaan.

1. Kiristä 10 mm:n kiintoavaimella tai jakoavaimella lukitustapin mutteri myötäpäivään tapin vapauttamiseksi pöydän tuesta. Tätä tappia tarvitaan, kun pöytä asetetaan takaisin 0-asteen asetukseen pöydän tuesta.
2. Löysää pöydän kallistuksen iso kuusikulmainen lukituspultti 17 mm:n kiintoavaimella tai jakoavaimella.

VAROITUS

Estä mahdollisen henkilövahingon pitämällä kiinni pöydän ja pöydän varren kokoonpanosta, jolloin se ei käänny eikä kallistu.

3. Kallista pöytää ja kohdista haluttu kulmamittaustulos nollaviivaan asteikkoa vastapäätä.
4. Kiristä pöydän kallistuksen lukituspultti.
5. Jos haluat palauttaa pöydän alkuperäisasentoonsa, löysää pöydän kallistuksen lukituspultti. Palauta pöytä 0°:n asentoon.
6. Palauta lukitustapin mutteri kierteiden ulkoreunaan. Napauta kevyesti lukitustappia, kunnes se on kunnolla paikallaan pöydänpitiimen soviteporareikässä. Kiristä mutteri käsin.

VAROITUS

Vältä työkappaleen kieppumisen ja työkälun rikkoutumisen, kun kiinnität työkappaleen ja tukimateriaalin aina lujasti pöytään ennen porakoneen käytön aloittamista.

SYÖTTÄMINEN

1. Käytä syöttökahvojen alaspäin vetämiseen vain sen verran voimaa, kuin poran terä tarvitsee leikkaamiseen.
2. Liian hidas syöttäminen saattaa polttaa poran terän. Liian nopea syöttäminen saattaa aiheuttaa hinnan tai poran luiskahtamisen, työkappaleen repeämisen tai poran terä voi rikkoutua.
3. Metallia porattaessa poran terän kärki pitää ensin öljytä, jotta työkappale ja terä eivät pala.

HUOLTO

VAROITUS

Käännä oman turvallisuutesi tähden kytkin POIS PÄÄLTÄ -asentoon (OFF) ja irrota pistotulppa pistorasista ennen kuin teet porakoneeseen mitään huolto- tai voitelutoimenpiteitä.

Poista ilmakompressorilla tai polynimurilla säännöllisesti pois moottoriin, hihnapyörästökoteloon, pöytään ja työtasoon kerääntynyt sahauspöly ja metallilastut. Käytä aina suojalaseja käyttäessäsi työkalua.

VAROITUS

Jos virtajohto on kulunut tai jollain muulla tapaa vahingoittunut, pyydä viipymättä sähköasentajaa tai huoltomiestä vaihtamaan se, jotta vältyt sähköiskulta tai tulipalolta.

VOITELU

Porakoneen kaikki kuulalaakerit on pakattu rasvattuina tehtaalla. Ne eivät tarvitse muuta voitelua.

Voitele määrääjain vaihteisto, hammastangon hampaat, pöydän nostomekanismi ja kara. Laske kara alas ja öljyä sen vaippa kohtuullisesti kolmen kuukauden välein.

KULJETUS JA SÄILYTYS

Katso kuvaa 32.

Irrota virtajohto kuljetuksen ajaksi, ja varmista, että kaikki osat ovat lujasti kiinni paikoillaan. Katso kuvasta 32 kohdat, joista laitteeseen tartutaan sitä nostettaessa.

Säilytä tuotetta turvallisessa paikassa, johon lapset eivät pääse.

Puhdista tuote harjalla tai pölynimurilla ennen tuotteen varastoimista.

SYMBOLI



Turvallisuusvaroitus



Eurooppalainen vaatimustenmukaisuusmerkintä



Brittiläinen vaatimustenmukaisuusmerkintä



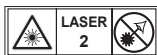
Ukrainalainen vaatimustenmukaisuusmerkintä



EurAsian-vaatimustenmukaisuusmerkki



Lue ohjeet huolella ennen laitteen käyttöä.



Laser-säteilyä.
Älä katso sädettä.
2. luokan laser-tuote



Älä jätä sateeseen tai kosteaan paikkaan.



Käytä kuulosuojaimia



Käytä aina suojalaseja.



Karan kapasiteetti.



Karan väli



Porausohjain



Poranterän läpimitta (tuumaa)



Puu



Alumiini
Sinkki
Messinki



Rauta
Teräs

Älä hävitä sähkö- ja elektroniikkalaiteromua lajittelemattomana yhdyskuntajätteenä. Sähkö- ja elektroniikkalaiteromu on kerättävä erikseen. Hukkavalonlähteet on poistettava laitteista. Kysy paikalliselta viranomaiselta tai jälleenmyyjältä kierrätysneuvoja ja tietoja keräyspisteistä. Paikallisten määräysten mukaan jälleenmyyjillä voi olla velvollisuus ottaa sähkö- ja elektroniikkalaiteromu takaisin veloitusetta. Panoksesi sähkö- ja elektroniikkalaiteromun uudelleenkäyttöön ja kierrätykseen auttaa vähentämään raaka-aineiden kysyntää. Sähkö- ja elektroniikkalaiteromu sisältää arvokkaita ja kierrätettäviä materiaaleja, jotka voivat vaikuttaa haitallisesti ympäristöön ja ihmisten terveyteen, jos niitä ei hävitetä ympäristöystävällisellä tavalla. Poista mahdolliset henkilötiedot jätelaitteista.

VIANKORJAUS

Ongelma	Mahdollinen syy	Ratkaisu
Käynti aiheuttaa melua.	<ol style="list-style-type: none"> 1. Virheellinen hihnan kireys. 2. Kara on kuiva. 3. Karan hihnapyörä löysällä. 4. Moottorin hihnapyörä löysällä. 	<ol style="list-style-type: none"> 1. Säädä kireys. Ks. osio "Hihnan kireys". 2. Öljyä kara. Ks. osio "Voitelu". 3. Tarkista hihnapyörästä kiinnitysmutterin kireys, kiristä tarvittaessa. 4. Kiristä hihnapyörästä moottorin säätöruuvi.
Poranterä palanut.	<ol style="list-style-type: none"> 1. Väärä nopeus. 2. Porauslastut jääneet reikään. 3. Poranterä tylsä. 4. Syöttö liian hidas. 5. Ei voiteluöljyä. 	<ol style="list-style-type: none"> 1. Muuta nopeutta. Ks. osio "Nopeuden muuttaminen ja hihnan vaihtaminen". 2. Vedä pora usein ylös, jotta reikä puhdistuu lastuista. 3. Teroita poranterä tai vaihda uuteen. 4. Syötä tarpeeksi nopeasti - anna poran leikata. 5. Öljyä pora. Ks. osio "Syöttäminen".
Poranterän kärjen poikkeama - porattu reikä ei ole pyöreä.	<ol style="list-style-type: none"> 1. Kovasyinen puu, tai leikkauspolkujen pituudet ja/tai kulmat erisuuriset. 2. Poranterä vääntynyt. 	<ol style="list-style-type: none"> 1. Teroita poranterä oikein. 2. Vaihda poranterä.
Puutikkuja alapuolella.	1. Työkappaleen ei tukimateriaalia. alla	1. Käytä tukimateriaalia. Ks. osio "Käyttö".
Työkappale tempautunut kädestä.	1. Työkappaletta ei ole tuettu tai kiinnitetty kunnolla.	1. Tue työkappaletta tai kiinnitä se. Ks. osio "Käyttö".
Poranterä jumiutuu työkappaleeseen.	<ol style="list-style-type: none"> 1. Työkappale puristaa poranterää, tai syöttöpaine on liiallinen. 2. Virheellinen hihnan kireys. 	<ol style="list-style-type: none"> 1. Tue työkappaletta tai kiinnitä se. Ks. osio "Käyttö". 2. Säädä kireyttä. Ks. osio "Hihnan kireys".
Poranterän liiallinen poikkeama tai vaappuminen.	<ol style="list-style-type: none"> 1. Poranterä vääntynyt. 2. Laakerit kuluneet. 3. Poranterä ei kunnolla kiinni istukassa. 4. Istukka ei kunnolla kiinni. 	<ol style="list-style-type: none"> 1. Käytä suoraa poranterää. 2. Vaihda laakerit. 3. Kiinnitä pora kunnolla. Ks. osio "Käyttö" ja "Kokoonpano ja säädöt". 4. Kiinnitä istukka kunnolla. Ks. osio "Istukan kiinnittäminen".
Kara palaa takaisin liian hitaasti tai liian nopeasti.	1. Kierrejousen kireys virheellinen.	1. Säädä jousen kireys. Ks. osio "Karan paluujousi".
Istukka ei kiinnity karaan. Kun sitä yritetään kiinnittää, se putoaa pois.	1. Istukan kartiomaisessa sisäpinnassa tai karan kartiopinnassa likaa, rasvaa tai öljyä.	1. Poista kaikki lika, rasva ja öljy istukan ja karan kartiopinnoilta alkoholia sisältämättömällä puhdistusaineella. Ks. osio "Istukan kiinnittäminen".

BESKRIVELSE

1. Hodeenhet
2. Gjæringssagbord
3. Fotplate
4. Stativ
5. Kolonnemontering
6. Stativring
7. Matehåndtak
8. Snekkedrev
9. Bordlåshåndtak
10. Bordsveivhåndtak
11. Sekskantet bolter
12. Chuck
13. Kjøksnøkkel
14. 4 mm umbrakonøkkel
15. 3 mm umbrakonøkkel
16. Flat skrutrekker
17. Skiftenøkkel
18. 12 mm skiftenøkkel
19. Hammer eller gummiklubbe
20. Liten kombinasjonskvadrat
21. Treblokk
22. Motor
23. Laserhode
24. Spolreturfjær/springfjær
25. Sagbordfeste
26. Trinsedeksel.
27. Av/På-bryter
28. Laserbryter
29. Øvre beskyttelse
30. Monteringshull
31. Hodelåsskrue
32. Kåseknot for beltespenning
33. Kjøksnøkkelholder
34. Spindeltrinse
35. Motortrinse
36. Bordstøtte
37. Hull til bordsveivhåndtak
38. Søylestøtte
39. Settskrue
40. Hode
41. Hodelås settskrue
42. Gjengede hull
43. Senkestempel montering
44. Spindel
45. Bolt x 2 (M12, medfølger ikke)
46. Låseskive x 4 (Dia. 12mm, medfølger ikke)
47. Gummiskive x 2 (Dia. 12mm, medfølger ikke)
48. Flat skive x 2 (Dia. 12mm, medfølger ikke)
49. Kontramutter x 2 (M12, medfølger ikke)
50. Sekskantmutter x 2 (M12, medfølger ikke)
51. Arbeidsoverflate
52. Hellingsskala
53. Bordskråkutter låsebolt.
54. Mutter
55. Låsemutter
56. Skruer
57. Nedre fronthakk
58. Springfjærløkk
59. Ytre kontramutter
60. Indre mutter
61. Innsnitt
62. Knott
63. Chuckkjeft
64. Drillbits
65. Dybde
66. Dybdeskalapeker
67. Dybdeskala
68. Øvre mutter
69. Nedre mutter
70. Dybdestoppetapp
71. Arbeidsstykke



Sikkerhet, ytelse og pålitelighet har fått topp prioritet i designet av drillpressen.

TILTENKT BRUK

Drillpressen er lagt for å drille hull i tre, plastikk, aluminium og stål.

Produktet skal bare brukes av voksne operatører som har lest instruksjonshåndboken, og som forstår risikoene og farene.

Produktet er designet for å festes på bases til en solid benkeplate. Dersom basen ikke er festet, har hele maskinen en tendens til å velte, skli, eller bevege seg på den støttende overflaten i løpet av bruk, som øker muligheten for alvorlig personskade.

Produktet må brukes i tørre forhold, med god belysning og god ventilasjon.

Produktet er kun ment brukt av vanlige forbrukere og skal bare brukes som beskrevet ovenfor og ikke for noe annet bruk.

GENERELLE SIKKERHETSADVARSLER FOR ELEKTRISK VERKTØY

⚠ ADVARSEL

Les nøye gjennom alle advarslene, instruksene og spesifikasjonene som følger med verktøyet, og se på tegningene. Hvis forskriftene nedenfor ikke overholdes, kan det forårsake ulykker som brann, elektrisk støt og/eller alvorlige personskader.

Ta vare på alle advarsler og anvisninger for senere bruk. Betegnelsen "elektroverktøy" i advarslene refererer til strømledningsdrevet elektroverktøy eller batteridrevet (trådløs) elektroverktøy.

SIKKERHET PÅ ARBEIDSOMRÅDET

- **Hold arbeidsområdet rent, ryddig og godt opplyst.** Uryddige og dårlig opplyste områder fører lett til ulykker.
- **Ikke bruk elektrisk verktøy i eksplosive atmosfærer, hvor det finnes brennbare væsker, gasser eller støv.** Elektrisk verktøy skaper gnister som kan antenne støv eller gasser.
- **Hold barn og andre på avstand når et elektrisk verktøy brukes.** Distrasjon kan føre til tap av kontroll.

ELEKTRISK SIKKERHET

- **Støpslet på det elektriske verktøyet må stemme med stikkkontakten.** Foreta aldri noen form for endringer av støpslet. Ikke bruk noen form for adapterstøpsel til jordet elektrisk verktøy. Umodifiserte støpsler og tilpassede stikkontakter vil redusere risikoen for elektrisk støt.
- **Unngå kroppskontakt med jordede overflater som vannrør, radiatorer, kokeapparater og kjøleaggregater.** Det er økt risiko for elektrisk støt

dersom kroppen din har kontakt med jord.

- **Ikke utsett elektrisk verktøy for regn eller høy fuktighet.** Vann som trenger inn i et elektrisk verktøy vil øke faren for elektrisk støt.
- **Ikke misbruk den elektriske ledningen.** **Bruk aldri ledningen til å bære det elektriske verktøyet eller trekke støpslet ut av stikkkontakten.** Hold ledningen vekke fra varme, olje, skarpe kanter eller bevegelige deler. Skadet eller sammenfloklet ledning øker risikoen for elektrisk støt.
- **Når du bruker det elektriske verktøyet utendørs, bruk en skjøteledning som er tilpasset utendørs bruk.** Bruk av ledning som er tilpasset utendørs bruk reduserer risikoen for elektrisk støt.
- **Dersom bruk av elektrisk verktøy i fuktige omgivelser ikke er til å unngå, bruk en strømkrets med restspenningsbeskyttelse (RCD) som er tilpasset verktøyet.** Bruk av strømkrets med sikring reduserer risikoen for elektrisk støt.

PERSONLIG SIKKERHET

- **Vær årvåken, følg med på det du gjør og bruk fornuft når du benytter et verktøy.** Ikke bruk verktøyet når du er sliten eller under påvirkning av alkohol, narkotiske stoffer eller medisiner som kan påvirke din reaksjonsevne og/eller dømmekraft. Et øyeblikks uoppmerksomhet mens elektrisk eller luftdrevet verktøy brukes kan føre til alvorlige personskader.
- **Bruk Personlig verneutstyr.** Bruk alltid øyebeskyttelse. Verneutstyr som støvmaske, sklisikre vernesko, hjelm og hørselsvern som brukes ved behov, vil redusere personskader.
- **Unngå utilsiktet start.** Pass på at limpistolen er slått av før du kobler den til en strømkilde eller en batteripakke, tar den opp eller bærer den. Ikke bær elektroverktøy med fingeren på bryteren eller mens verktøyet er slått på, da dette kan føre til ulykke.
- **Fjern justeringsnøkler og annet verktøy før du setter strøm på det elektriske verktøyet.** En fastnøkkel eller annet verktøy festet til en roterende del av et elektrisk verktøy når det startes kan føre til personskade.
- **Ikke len deg for langt frem. Sørg for godt fotfeste og god balanse til enhver tid.** Dette gir bedre kontroll over det elektriske verktøyet i en uventet situasjon.
- **Kle deg riktig.** Ikke bruk løstsittende plagg og/eller løsthengende smykker. Hold hår og klær unna bevegelige deler. Løse plagg, smykker og langt hår kan fanges opp av bevegelige deler.
- **Hvis utstyr gir mulighet for tilkobling av uttrekk og oppsamling av støv, må du forsikre deg om at de er tilkoblet og riktig brukt.** Bruk av utstyr for oppsamling av støv kan redusere faren forbundet med støv.
- **Ikke la hyppig bruk av verktøyet føre til at du blir uvøren og ikke tar hensyn til**



sikkerhetsprinsipper. En uforsiktig handling kan forårsake alvorlig skade på et øyeblikk.

ELEKTRISK VERKTØY - BRUK OG STELL

- **Ikke press verktøyet. Bruk korrekt verktøy for jobben som skal gjøres.** Riktig elektrisk verktøy vil gjøre jobben bedre og tryggere når det brukes slik det var tiltenkt.
- **Ikke bruk verktøyet hvis bryteren ikke slår verktøyet av og på.** Ethvert elektrisk verktøy som ikke kan kontrolleres med bryteren er farlig og må repareres før det kan brukes.
- **Før du gjør justeringer på elektroverktøy, bytter tilbehør eller setter verktøyet bort, må du trekke pluggen ut av strømkilden eller fjerne batteriet hvis dette lar seg gjøre.** Slike forholdsregler reduserer risikoen for å starte limpistolen ved et uhell.
- **Oppbevar elektrisk verktøy som ikke brukes utenfor barns rekkevidde og la ikke personer som ikke er kjent med det elektriske verktøyet eller dets instruksjoner bruke det.** Elektrisk verktøy er farlig i hendene på uerfarne brukere.
- **Sørg for at elektroverktøy og tilbehør alltid er i god stand. Kontroller for feilinnretting, at bevegelige deler løper fritt og andre forhold som kan påvirke verktøyets drift. Dersom det er skadet må produktet repareres før bruk.** Mange ulykker skyldes dårlig vedlikeholdt verktøy.
- **Sørg for at skjæreverktøy alltid er skarpe og rene.** Sørg for at eggene på skjæreverktøy alltid er skarpe. Dette gir mindre risiko for at verktøyet sette seg fast, og gjør det lettere å styre verktøyet.
- **Bruk limpistolen, tilbehør, verktøybits osv. i samsvar med disse anvisningene, og ta hensyn til arbeidsforholdene og arbeidet som skal utføres.** Bruk av elektrisk verktøy på en måte det ikke var tiltenkt kan skape farlige situasjoner.
- **Hold håndtakene og gripeflatene tørre, rene og fri for olje og fett.** Hvis håndtakene og gripeflatene er glatte, fører det til mindre sikker håndtering og styring av verktøyet i uventede situasjoner.

SERVICE

- **Sørg for at reparasjoner og vedlikehold av ditt elektriske verktøy utføres av kvalifiserte teknikere som kun bruker originale reservedeler.** Dette vil sørge for at sikkerheten med verktøyet ivaretas.

ADVARSLER FOR DRILLPRESSEN

- **Boremaskinen må være sikret.** En boremaskin som ikke er riktig sikret, kan flytte seg eller velte og føre til personskader.
- **Arbeidsstykket må være klemt fast til eller sikret til arbeidsstykkets støtte.** Ikke bor i stykker som er for små til å klemmes fast på sikker måte. Det å holde arbeidsstykket for hånd under operasjonen kan føre til personskader.

- **Ikke bruk hansker.** Hansker kan feste seg fast i de roterende delene eller flak og føre til personskader.
- **Hold hendene utenfor boremrådet mens verktøyet er i gang.** Kontakt med roterende deler eller flak kan føre til personskader.
- **Se til at tilbehøret roterer før det føres inn i arbeidsstykket.** Ellers kan tilbehøret bli fastkjørt i arbeidsstykket og forårsake uventet bevegelse av arbeidsstykket og personlig skade.
- **Når tilbehøret er fastkjørt, stopp påføring av nedovertrykk og slå av verktøyet. Undersøk og foreta utbedrende tiltak for å eliminere årsaken til fastkjøringen.** Fastkjøring kan forårsake uventet bevegelse av arbeidsstykket og medføre personskader.
- **Unngå å generere lange flak ved regelmessig avbryte nedovertrykk.** Skarpe metallflak kan forårsake fastvikling og personskader.
- **Fjern aldri flak fra boremrådet mens verktøyet er i gang.** For å fjerne flat flytt tilbehøret bort fra arbeidsstykket, slå av verktøyet og vent til tilbehøret slutter å bevege seg. Bruk verktøy, slik som en børste eller krok, for å fjerne flak. Kontakt med roterende deler eller flak kan føre til personskader.
- **Tilbehør med nominelle hastigheter må ha verdier minst lik maksimum hastighet merket på det elektriske verktøyet.** Tilbehørene som brukes i høyere hastighet enn sin nominelle hastighet kan brytes og slynges ut.
- **Hold bits rene og skarpe.** Skarpe bits hindrer steiling. Skitne og uskarpe biter kan forårsake forskyvning av materiale og mulige operatørskader.
- **Hold hendene borte fra arbeidsområdet.** Hold hendene unna bits. Pass på løse klær, smykker, langt hår, osv., som kan hektes i bits.
- **Fest alltid verktøy eller støtt mot søyle for å hindre rotering.** Bruk aldri hendene for å holde objektet i løpet av drilling.
- **Bruk det anbefalte tempoet for drill tilbehøret og arbeidsstykket.**
- **Pass på at drillbit eller skjæreverktøyet er sikret i kjoksen.**
- **Pass på at kjoksnøkkelen er fjernet fra kjoksen før den kobles til strøm eller før strømmen skrues på.**
- **Juster bordet eller dybdestoppet for å unngå å drille i bordet.** Skru av strømmen, fjern drillbit, og vask bordet før du forlater maskinen.
- **Unngå direkte øyeesponering når du bruker laseren.**
- **Sikre alltid at laserstrålen er sikret mot en overflate uten reflekterende egenskaper.** Skinnende reflekterende materialer er ikke passende for laserbruk.
- **Plasser aldri fingrene dine slik at de kan hvor de kan komme i kontakt med drill eller andre kutteverktøy som kan bevege seg uventede.**
- **Utfør aldri arbeid ved å bevege hodet eller bordet**

i forhold til hverandre. Skru ikke på motorbryteren eller start maskinen før du sjekker at hodet og bordets låsehåndtak er festet tett på søylen og hodet og bordets støttekrager er i riktig posisjon.

- **Før startknappen skrues på, pass på at beltesikringen er nede og kjoksen er installert korrekt.**
- **Lås motorbryteren når produktet forlages.** Ikke utfør layout, konstruksjon, eller sett opp arbeid på bordet mens skjæreverktøyet roterer, er skrudd på, eller koblet til en strømkilde.
- **Hvis strømledningen skades må den kun erstattes av produsenten eller et autorisert servicecenter for å unngå risiko.**
- **Lagre verktøy som ikke brukes.** Når det ikke er i bruk må verktøyet oppbevares tørt og innelåst slik at det er utilgjengelig for barn.
- Det anbefales at verktøyet alltid forsynes via en reststrømsenhet som har en nominell reststrøm på 30 mA eller mindre.
- **Ta vare på disse instruksjonene.** Les dem regelmessig og bruk for å instruere andre brukere. Hvis du låner noen dette verktøyet, la dem også få låne brukermanualen.

LASERSIKKERHET

- Laserstrålingen som brukes i produktet er av klasse 2 med maksimalt = 1 mW og 650 nm bølgelengder. Å unnlate å følge reglene vil kunne føre til alvorlig personskade.
- Ikke se inn i laserstrålen under arbeid.
- Ikke rett laserstrålen direkte inn i øynene på andre. Alvorlig øyeskade kan oppstå som resultat.
- Ikke plasser laseren i en posisjon som kan føre til at noen bevisst eller ubevisst vil kunne stirre direkte inn i laserstrålen.
- Ikke bruk optisk verktøy for å se laserstrålen.
- Ikke bruk laseren når det er barn til stede eller la barn få bruke laseren.
- Ikke gjør forsøk på å reparere laserutstyret selv.
- Ikke gjør forsøk på å skifte noen del av laserutstyret selv.
- Enhver reparasjon må bare utføres av laserprodusenten eller et autorisert laserverksted.
- Ikke skift ut laseren med en annen type.

GJENVÆRENDE RISIKO

Også når produktet brukes som beskrevet, er det ikke mulig å utelukke risiko for brukere eller personer i nærheten. Brukeren må spesielt være oppmerksom på følgende punkter for å minske faren for alvorlige personskader.

- Hørselskader – Bruk adekvat hørselvern og begrens eksponeringen.
- Skader på synet – Bruk vernebriller eller heldekkende briller når du bruker produktet.

- Personskader pga. vibrasjon - Begrens eksponeringen for vibrasjoner, og følg instruksjonene for risikoreduksjon i denne håndboken.
- Andedrettsskade fra støv som dannes fra driften av produktet – Bruk passende beskyttelse avhengig av støvtypen.

⚠ ADVARSEL

Noe av støvet som oppstår ved sliping, saging, pussing, boring og andre byggarbeid inneholder kjemikalier som kan være kreftfrembringende og medføre fosterskader eller fruktbarhetsproblemer. Her er noen eksempler på disse kjemikaliene:

- bly - i blyholdige maling,er,
- krystallinsk silika som finnes i enkelte sementer, mursten og andre murprodukter,
- arsen og krom som finnes i visse kjemisk behandlede tømmer.

Faren som er tilknyttet til disse produktene varierer altetter hvor hyppig denne typen arbeidsoppgaver foretas. For å redusere faren for eksponering for disse kjemikaliene, må du arbeide i velluftede omgivelser og med godkjent verneutstyr, som for eksempel en støvmaske som er spesiallaget for å filtrere mikroskopiske partikler.

ELEKTRISK

Bruk bare 3-ledet skjøteledning med jordnet støpsel som stemmer med verktøets kontakt. Dersom maletastasjonen brukes så langt fra en strømkilde at en skjøteledning er nødvendig, bruk en ledning som er kraftig nok til å bære den strømmen maskinen trekker ved full utnyttelse. En skjøteledning som ikke er kraftig nok vil føre til spenningsfall med påfølgende tap av motoreffekt og fare for at motoren overopphetes.

Før bruk av en skjøteledning, inspiser den for løs og utsatte ledninger eller skadd og slitt isolasjon.

⚠ ADVARSEL

Hold skjøteledningen vekke fra arbeidsområdet. Plasser ledningen slik at den ikke fanges opp av trematerialer, verktøy eller andre hindringer mens du arbeider med verktøyet. Hvis dette ikke overholdes, kan forårsake alvorlige personskade.

⚠ ADVARSEL

Kontroller skjøteledningen før hver gangs bruk. Hvis skadet må den øyeblikkelig skiftes ut. Bruk aldri verktøyet med en skadet elektrisk ledning idet berøring av det skadede området kan føre til elektrisk støt og alvorlig personskade.

ELEKTRISK FORB INDELSE

Dette produktet drives av en presisjonsbygget elektrisk motor. Den skal kobles til et strømuttak som har 220~240V (normal husholdningsstrøm), 50 Hz. Ikke bruk verktøyet med likestrøm (DC). Et betydelig spenningsstap vil føre til tap av effekt og at motoren overopphetes. Hvis produktet ikke virker når det kobles til strømmettet, dobbeltsjekk det elektriske anlegget.

HASTIGHET OG KABLING

Denne hastigheten er ikke konstant og vil synke ved belastning eller ved lavere spenning. Med hensyn til spenning er kablingen like viktig som motorens nominelle effekt. En strømkrets som kun er ment for lamper kan ikke bære et elektrisk verktøy på en tilfredsstillende måte. Ledning som har styrke nok for en kort avstand vil kunne være for svak for en lengre avstand. En krets som kan levere strøm til ett elektrisk verktøy vil ikke nødvendigvis kunne levere strøm til to eller tre verktøyer.

INSTRUKSJONER FOR JORDING

Ved feilfunksjon eller sammenbrudd skaper jordingen en vei for strømmen som reduserer faren for elektrisk støt. Dette produktet er utstyrt med en elektrisk ledning som har jordingsforbindelse og jordingsplugg. Støpslet må være forbundet til en kontakt som er korrekt installert og jordat i henhold til alle lokale regler og forskrifter.

Ikke foreta endringer på det medfølgende støpslet. Hvis støpslet ikke lar seg koble til kontakten, sørg for at et passende støpsel blir montert av en kvalifisert elektriker. Urtiktig tilkobling av utstyrets jordleder kan resultere i risiko for elektrisk sjokk. Lederen med isolasjon som har en ytre overflate som er grønn med eller uten gule striper er utstyrets jordleder. Hvis reparasjon eller erstatning av den elektriske ledningen er nødvendig, koble ikke til jordlederen til en terminal som er på.

Reparer eller skift en skadet elektrisk ledning umiddelbart.

ANBEFALT TILBEHØR

⚠ ADVARSEL

Bruk kun tilbehør anbefalt for dette produktet.

Følg instruksjonene som følger tilbehøret. Bruk av feil tilbehør kan føre til fare.

- Drillbits
- Holdeklemmer
- Drilpresse skrustikke

⚠ ADVARSEL

Bruk kun tilbehør som er designet for dette produktet for å unngå skade fra forkastede, ødelagte deler og arbeidsstykker.

Bruk ikke tilbehør om du ikke har lest instruksjonene eller brukermanualen for det tilbehøret.

INNHOOLD I ESKEN

PAKK UT OG SJEKK INNHOOLD

⚠ ADVARSEL

Hvis det er deler som er skadde eller mangler, plugg ikke produktet til strøm før den skadde eller manglende delen er erstattet, og monteringen er fullført.

Pakk ut produktet og alle delene forsiktig, og sammenlign med listen nedenfor.

For å beskytte produktet fra fuktighet, har et beskyttende lag blitt påført på de maskinerte overflatene. Fjern dette laget med en myk klut fuktet med parafin eller WD-40.

⚠ ADVARSEL

For å unngå brann eller giftige reaksjoner, bruk aldri bensin, nafta, aceton, lakktynner eller lignende meget ustabile løsemidler for å rense produktet.

Påfør et lag av voks på bordet, søylen, og maskinerte overflater på basen for å unngå rust. Tørk alle delene grundig med en tørr, ren klut.

Artikkel	Beskrivelse	Ant.
1	Hodeenhet	1
2	Gjæringssagbord	1
3	Fotplate	1
4	Stativ	1
5	Kolonnomontering	1
6	Stativring	1
7	Matehåndtak	3
8	Snekkedrev	1
9	Bordlåshåndtak	1
10	Bordsveivhåndtak	1
11	Sekskantet bolter	3
12	Chuck	1
13	Kjoksnøkkel	1
14	4 mm umbrakonøkkel	1
15	3 mm umbrakonøkkel	1

MONTERING OG JUSTERING**⚠ ADVARSEL**

For din egen sikkerhet, koble aldri til strøm før alle monteringsstegene er fullført og du har lest og forstått sikkerhets og bruksinstruksjonene.

⚠ ADVARSEL

Produktet er et tungt elektroverktøy og bør løftes sammen med to eller flere personer for å montere den trygt.

MONTER SØYLEN PÅ BASEN

Se *fig. 5*.

1. Plasser basen på en flat, stabil overflate.
2. Juster skruerhullene i søylemonteringen med skruerhullene i basen.
3. Plasser en sekskantet bolt i hvert hull.
4. Stram hver sekskantet bolt med en skiftenøkkel.

INSTALLER BORD TIL SØYLEMONTERING

Se *figur 6–10*.

1. Sett inn brakettlåséhåndtaket i det gjengete hulllet bak på bordbraketten.
NB: Installer håndtaket fra venstre til høyre, slik at den går inn på den ikke-gjengede siden av bordbraketten først.
2. Før snekkedrevet gjennom bordsveivhullet i bordbraketten. Pass på at snekkedrevet masker med det innvendige utstyret.
NB: Fjern ikke smøringen fra snekkedrevet.
3. Før stativet gjennom sporet i bordbraketten. Snekkedrevet bør festes med stativet.
4. Bruk begge hendene, skli hele bordet og stativet på søylen til bunnen av stativet er plassert i basekragen og mot stativet.
5. Stram bordets brakettlås for å låse bordet til søylen.
NB: Ikke stram for hardt.
6. Skli stativringen, med skeivvinkelen ned, over søylen frem til den skeivvinklede siden festes med den skeivvinklede siden på stativet.
7. Stram settskruen i kragen med en umbrakonøkkel. For å unngå søyle eller krageskade, stram ikke skruen for stramt.
NB: Du burde kunne bevege bordet fra side til side.
8. Installer bordets sveiv over enden til snekkedrevet slik at den flate siden av akselet justeres med setteskruen.
9. Stram settskruen i kragen med en umbrakonøkkel.

INSTALLERING AV HODET

Se *fig. 11*.

⚠ ADVARSEL

Drillpressens hode er tungt og bør løftes med hjelpen av to personer for å sikkert montere drillpressens hode på søylen.

1. Plasser hodet på søylen med kjoksen plassert over bordet.
NB: Dette produktet er tungt. Få hjelp når du trenger det.
2. Skli hodet så langt ned som det kan gå. Juster bordet med basen og stram så de to settskruene med umbrakonøkkel.

MONTERE MATEHÅNDTAK

Se *fig. 12*.

1. Fest tre matehåndtaker ved å skru de inn i gjengehullene i navmonteringen.

INSTALLER KJOKSEN

Se *figur 13-15*.

⚠ ADVARSEL

Før montering av kjoksen til drillpresshodet, vask alle kontaktflatene med en ikke-petroleumsbasert produkt. Enhver olje eller fett i pakkingen av disse delene må fjernes ellers kan kjoksen løsne i løpet av bruk.

1. Vask de koniske hullene i kjoksen med en ren klut og en ikke-alkoholbasert renser. Tørk bort alle oljerester og all smuss og skit.
2. Vask skråflatene på spindelen på samme måte som over.
NB: Pass på at det ikke er fremmede partikler festet på overflaten. Den minste lille biten av olje eller oljerester på noen av disse overflaten vil hindre kjoksen fra å forsegles ordentlig. Dette vil føre til at drillkjoksen og bits vil vingle.
3. Plasser kjoksen på spindelen. Kjoksen bør være fullt åpnet for å hindre skade på kjevvene.
4. Lås opp bordstøtten og sving bordet fra bunnen av kjoksen.
5. Plasser kjoksen på spindelen, og dytt opp helt til endes.
6. Bruk ekstra tre for å beskytte kjoksen, og bank den hardt på plass med en klubbe eller en hammer.

⚠ ADVARSEL

Risiko for skade på eiendom. For å unngå skade på kjoksen, driv aldri kjoksen på spindelen med en metallhammer.

FJERNING AV KJOKSEN

1. Skru matehåndtaket for å senke kjoksen til den laveste posisjonen.
2. Plasser en kuleleddseparator (ikke vist) over

kjoksen og slå lett på den med en hammer eller en gummiklubbe for å få kjoksen til å falle fra spindelen.
NB: Slå aldri kjoksen direkte med hammeren eller gummiklubben.

NB: For å unngå skade på kjoksen, hev kjevene helt opp først og vær klar for å ta i mot kjoksen når den faller.

MONTER DRILLPRESSEN PÅ ARBEIDSOVERFLATEN

Se fig. 16.

Dersom produktet skal brukes på et permanent sted, sikre den til en arbeidsbenk eller en annen stabil overflate.

Dersom produktet skal brukes som et bærbart verktøy, fest det permanent til et monteringsbord som kan lett festes til en arbeidsbenk eller en annen stabil overflate. Monteringsbordet bør være stort nok til å unngå å velte mens produktet er i bruk. Kryssfiner eller sponblater av god kvalitet og en tykkelse på 19 mm (3/4") er anbefalt.

1. Merk hull på overflaten hvor drillpressen vil bli montert ved bruk av hull i drillpressbasen som en mal for hullmønster.
2. Drill hull gjennom monteringsoverflaten.
3. Plasser drillpressen på en monteringsoverflate, juster hullene i basen med hullene drillt i monteringsoverflaten.
4. Sett inn bolter (ikke inkludert) og stram med låseskiver og sekskantmuttere (ikke inkludert). Dersom bolter blir brukt, pass på at de er lange nok til å nå gjennom hullene i drillpressbasen og materialet drillpressen blir montert på. Dersom maskinbolter blir brukt, pass på at de er lange nok til å nå gjennom hullene i drillpressbasen og materialet de blir montert på, og låseskiver og sekskantmuttere.

NB: Alle bolter skal settes inn fra toppen. Installer låseskivene og sekskantmutterne fra undersiden av arbeidsbenken.

Når produktet er sikret og montert på en stabil overflate:

1. Sjekk for vibrasjoner når motoren er skrudd PÅ.
2. Juster og stram festeanordningene som nødvendig.
3. Sjekk bordfestet for å sikre smidig bevegelse opp og ned søylen.
4. Sjekk for å sikre at spindelakselen beveger seg jevnt.

KJOKSNØKKELLAGER

Se fig. 17.

Holder for kjoksnøkkelen er plassert på høyre side av produktet.

SKRÅBORING

Se fig. 18.

NB: En skråvinkelskala har blitt inkludert for å måle tilnærmede skråvinkler. Dersom det er nødvendig med presisjon, kan plassere en vinkelhake eller et annet måleverktøy på bordet. Slik bruker du skråvinkelskalaen:

1. Stram mutteren på låsepinnen med 10 mm eller justerbar skiftenøkkel med klokken for å løsne pinnen fra bordstøtten. Denne pinnen vil være

nødvendig ved plassering av bordet tilbake til 0-graders innstillinger fra bordstøtten. Ikke kast.

2. Løsne den store sekskantede skrålåsebolten ved å bruke en 17 mm eller justerbar skiftenøkkel.
3. Skråstill bordet, og juster den ønskede vinkelmålingen til nulllinjen på andre siden av skalaen.
4. Stram bordets skrålåsebolt.
5. For å returnere bordet til dets originale posisjon, løsne kabel skrålåsebolt. Returner bordet til 0°-posisjon.
6. Returner mutter på låsepinnen på utsiden av slutten på trådene. Slå forsiktig på låsepinnen med en gummiklubbe, til den er satt i det parede hullet i bordbraketten. Håndstram mutteren.

NB: Bordet har blitt fjernet fra illustrasjonen for klarhet.

⚠ ADVARSEL

For å forhindre personskade, fjern alltid strømkilden før du gjør justeringer.

SPINDEL/SPOL

Se fig. 20.

Roter matehåndtakene mot klokken for å senke spindelen til dens laveste posisjon. Hold kjoksen og beveg den fram og tilbake. Dersom det er overstadige bevegelser, fortsett med de følgende bevegelsene:

1. Løsne låsemutteren som er på høyre side av produktet, med en 10 mm skiftenøkkel.
2. Snu skruen mot klokken for å eliminere bevegelse, bruk en flat skrutrekker, men uten å hindre den oppadgående bevegelsen til spindelen. (litt bevegelse i spindelen er normalt.)
3. Stram låsemutteren.

SPOLRETUR SPRINGFJÆR

Se fig. 21.

Spolreturens springfjær vil kanskje trenge justering dersom spolens returhastighet er for rask eller for sen. Springfjæren er plassert på venstre side av drillhodet.

1. Senk bordet for ekstra rom.
2. Plasser en skrutrekker på det nedre hakket på springfjærtoppen. Hold den på plass mens du løsner og fjerner den eneste ytre kontramutter med en 10 mm skiftenøkkel.
3. Med skrutrekkeren fortsatt festet i hakket, løsne den indre mutteren helt opp til hakket løsner fra knotten på drillpressens hode.
NB: Ikke fjern denne indre mutteren, fordi springfjæren vil løsne fort.
4. Skru forsiktig på springfjærlokket med skrutrekkeren, og fest i neste hakk.
5. Senk spolen til den laveste posisjonen ved å rotere matehåndtaket mot klokken mens springfjærlokket blir holdt i posisjon.
6. Hvis spolen beveger seg opp og ned som du ønsker, stram den indre mutteren mot springfjærlokket med skiftenøkkelen. Hvis den er for løs, gjenta steg 3–5

for å stramme. Hvis den er for stram, gjør om step 4 og 5.

- Sikre yttermutteren mot den indre mutteren med skiftenøkkelen.

NB: Ikke stram for mye og hindre spolbevegelse.

BELTESPENNING.

Se fig. 22.

- Åpne trinsedekelet.
- For å låse opp beltespenningen, skru beltespenningsknotten på høyresiden av drillpresshodet mot klokken.
- Dra motoren mot fronten av produktet for å løse beltespenningen.
- Plasser beltet på den rette trinsesteget for å få den ønskede hastigheten.
- Flytt motoren fra drillpresshodet til beltet har riktig spenning.

NB: Beltespenningen er korrekt hvis beltet bøyer omtrent 13 mm (1/2") når den blir presset på midten.

- Stram beltespenningens låseknot for å sikre motoren i riktig posisjon. Lukk trinsedekelet.

SJEKK/JUSTER LASERPLASSERING.

Dette produktet er utstyrt med Laser Trac®.

Laserstrålene vil sikre at du kan se borebanen på forhånd på arbeidsstykket som skal drilles før du begynner.

⚠ ADVARSEL

Unngå direkte øyekontakt

Et laserlys lyser når laserguiden er skrudd på. Unngå direkte øyekontakt. Stopp alltid motoren og koble fra strømkilden før du gjør justeringer.

- En laserpeker er ikke et leketøy og bør ikke gis til barn. Misbruk av dette verktøyet kan føre til uopprettelige øyeskader.
- En hver justering for å øke laserstyrke er forbudt.
- Ved bruk av laserpekeren, pek ikke laserstrålen mot mennesker og/eller reflekterende overflater. Til og med en laserstråle av lav intensitet kan forårsake alvorlig øyeskade. Ikke stirr direkte inn i laserstrålen.
- Laserpekeren inkluderer ikke servicekomponenter. Åpne aldri beholderen for reparasjon og justeringer.
- Klistermerke med laseradvarsel:



- Ikke fjern eller ødelegg advarselsetikettene. Fjerning av etikettene øker risikoen for utsettelse av stråling.
- ADVARSEL:** Bruk av andre prosedyrer enn de som er beskrevet i denne manualen kan føre til eksponering mot farlig stråling.
- Prøv aldri å reparere eller demontere lasernivået. Hvis ukvalifiserte personer forsøker å reparere laserproduktet, kan alvorlig skade oppstå. En hver

reparasjon nødvendig på laserproduktet bør utføres av autoriserte service senter personale.

- ADVARSEL:** Bruk av optiske instrumenter med dette produktet vil øke øyefaren.

⚠ ADVARSEL

Bruk ikke farget glass for å forbedre laserlyset. Farget glass vil redusere det generelle lyset for bruk og blander med den normale driften av verktøyet.

⚠ ADVARSEL

Laserstråling. Sikt aldri strålen på et arbeidsstykke med en reflekterende overflate. Skinnende og reflekterende stålplater og lignende reflekterende overflater er ikke anbefalt for laserbruk. Den reflekterende overflaten kan sende strålen tilbake til operatøren eller andre personer.

JUSTERING AV LASERLINJENE.

Se fig. 23.

Sjekk laserjustering for å sikre krysset av laserlinjer er presist hvor drillbitsen møter arbeidsstykket. Hvis dette ikke er tilfelle bør laserlinjen justeres ved å bruke laserjusteringsknotten som er plassert på motsatte sider av hodemonteringen.

- Marker en X på et stykke tre.
- Før inn en liten drillbit i kjøksen og juster tuppen til krysset av linjene til X-en.*
- Sikre brettet til bordet.
- Skru på laserguiden og bekreft at laserlinjene er på linje med X-en på trestykket.
- Dersom laserlinjene ikke er på linje, løsne settskruene på hver av laserbeholderne med en umbrakonøkkel og roter laserjusteringsknottene til linjene møtes i midten av X-en. Stram settskruene for å sikre.

BRUK

⚠ ADVARSEL

Sørg for at fortrolighet med produktet ikke fører til at du blir skjedesløs. Husk at uforsiktighet i en brøkdel av et sekund er nok til at du kan påføre deg selv alvorlige skader.

⚠ ADVARSEL

Bruk alltid vernebriller med sidebeskyttelse når du jobber med verktøy. Hvis dette ikke følges kan det føre til at fremmedlegemer kastes inn i øynene dine med påfølgende alvorlige øyenskader.

⚠ ADVARSEL

Bruk ikke andre deler eller tilbehør enn de som anbefales av fabrikanten til dette verktøyet. Bruken av deler eller tilbehør som ikke anbefales kan føre til alvorlig personskade.

⚠ ADVARSEL

For å unngå skade, hold sikringen lukket og på plass mens verktøyet er i bruk.

ENDRING AV HASTIGHET OG BELTEPLASERING.

Se fig. 24.

Spindelen er bestemt av plassering av beltet på trinsene inne i hodemonteringen. Hastighetsskalaen som er plassert på innsiden av hodemonteringen viser de anbefalte hastighetene og trinsekonfigurasjon for hver drilloperasjon.

For å endre trinsekonfigurasjon:

1. Løft trinsedekselet.
2. Løsne spenningsbolten.
3. Fjern beltet.
4. Posisjoner beltet på ny i henhold til hastighetsskjemaet.
5. Stram spenningsbolten.

NB: Henvist til "Anbefalt drillhastighet"-delen for størrelsen på drillbits og anbefaling for drillhastighet.

ANBEFALT DRILLHASTIGHET

Drillhastighetskjema (RPM)			
Drillbits-diameter (Tommer)	Materiale		
	Tre Plastikk	Aluminium Sink Messing	Jern Stål
1/16	2430	2430	2430
1/8			1800
3/16			1300
1/4			800
5/16			800
3/8	1300	800	
1/2	1800	800	510

AV/PÅ-bryter

Se fig. 25.

For å slå verktøyet på:

1. Trykk på PÅ-knappen (I).

For å slå verktøyet av:

1. Trykk på AV-knappen (O).

⚠ ADVARSEL

Vær alltid sikker på at arbeidsstykket ikke er borti bitsen før produktet skrues på og startes. Å ikke følge denne advarselen kan føre til at arbeidsstykket kastes tilbake mot operatøren og resultere i alvorlig personskade.

INSTALLERING OG FJERNING AV BITS

Se fig. 26.

1. Koble produktet fra.
2. Åpne eller lukk chuckkjeften slik at åpningen er noe større enn bitsstørrelsen du ønsker å bruke.
3. Sett inn drillbits i kjoksen hele lengden av kjevene.

⚠ ADVARSEL

Sett ikke inn drillbitsen i kjokskjeven, stram som vist i figur 19. Dette kan forårsake at drillbitsen blir kastet fra produktet, som kan resultere i potensielle alvorlige personskader eller skade på kjoksen.

4. Stram kjokskjeven sikkert ved å bruke kjoksnøkkelen som er gitt. Ikke bruk skiftenøkkel for å løse eller stramme chuckkloen.
5. Fjern kjoksnøkkel.
6. For å fjerne drillbitsen, reverser stegene ovenfor.

⚠ ADVARSEL

For å unngå skade eller uhell ved at kjoksnøkkelen kastes ut fra kjoksen mens produktet er skrudd PÅ, bruk kun den selvutkastende kjoksnøkkelen levert med drillpressen. Sjekk alltid og fjern kjoksnøkkelen før den blir skrudd PÅ. Plasser kjoksnøkkelen i holderen når den ikke er i bruk.

DRILLING TIL EN SPESIFIKK DYBDE

Drilling av et blindt hull (ikke helt gjennom arbeidsstykket) til en gitt dybde kan bli gjort på to måter:

Arbeidsstykkemetode

Se fig. 27.

1. Marker dybden av hullet på siden av arbeidsstykket.
2. Med bryteren på AV, bring drillbitsen ned til tuppen er på lik linje med merket.
3. Hold matehåndtak i denne posisjonen.
4. Spinn den nedre mutteren ned til dybdestopptappen på hodet.
5. Spinn den øvre mutteren ned og stram mot den nedre mutteren.
6. Drillbitsen vil nå stoppe ved dybden markert på arbeidstykkene.

Dybdeskala-metode

Se fig. 28.

NB: Med kjoksen i øvre posisjon, må tuppen av drillbitsen være litt over toppen av arbeidsstykket.



1. Når bryteren er "AV", snu matehåndtaket til pekeren viser til ønsket dybde på dybdeskalaen, og hold matehåndtaket i denne posisjonen.
2. Spinn den nedre mutteren ned til dybdestopptappen.
3. Spinn den øvre mutteren ned og stram mot den nedre mutteren.
4. Drillbitsen vil nå stoppe ved dybden markert på dybdeskalaen.

Drille et hull

1. Bruk en hullemaskin eller en skarp spiker, og lag et merke i arbeidsstykket der du skal drille.
2. Skru på laserguiden og juster laserlinjene med hakkene.
3. Skru på bryteren og dra ned matehåndtaket med akkurat nok kraft for at drillen kan skjære

Føres det inn for fort vil beltet eller drillen slippe, rive arbeidsstykket løs, eller brette drillbit.

Ved drilling av metall må tuppen av drillbits smøres med metalldrilleolje for å hindre overoppheting.

FOR DIN BESKYTTELSE

⚠ ADVARSEL

For å unngå å bli dratt inn i verktøyet, ha ikke på løse klær, hansker, slips eller smykker. Knytt alltid langt hår bak.

1. Dersom deler av produktet ditt mangler, ikke fungerer, er skadd eller ødelagt, avbryt bruk øyeblikkelig til den delen er reparert eller erstattet.
2. Plasser aldri fingrene dine slik at de kan hvor de kan komme i kontakt med drill eller andre kutteverktøy. Arbeidsstykket kan flytte på seg plutselig, eller hendene dine kan gli.
3. For å unngå at arbeidsstykket blir revet ut av hendene dine, kastet, spunnet av verktøyet, eller knust, støtt alltid arbeidsstykket ditt som følger:
 - Plasser reservemateriale (brukt under arbeidsstykket slik at den er i kontakt med venstre siden av søylen
 - Hvor mulig, plasser arbeidsstykket slik at den er i kontakt med venstre siden av søylen. Hvis det er for kort eller bordet er i vinkel, fest det ordentlig til bordet med sporene i bordet.
 - Ved bruk av en drillpressvise (ikke inkludert), fest den alltid til bordet.
 - Gjør aldri frihåndsarbeid (håndholding av arbeidsstykket i stedet for å støtte den på bordet), utenom ved polering eller pussing.
 - Lås hodet sikkert og støtt mot søylen, bordarmen til støtten, og bordet til bordarmen før bruk av drillpressen
 - Beveg aldri hodet eller bordet mens verktøyet brukes.
 - Før bruk, beveg på motorbryteren for å sikre at drillen eller andre kutteverktøy ikke vingler eller skaper vibrasjoner.
 - Hvis et arbeidsstykke henger over bordet vil den falle eller tippe dersom den ikke er holdt, festet til

bordet, eller ekstra støtte.

- Bruk støtter for uvanlig bruk for å sikkert holde, guide og plassere arbeidsstykket.
 - Bruk den spindelhastigheten anbefalt for spesifikk bruk og arbeidsstykke materiale. Sjekk panelet på innsiden av trinsedekselet eller se på "Anbefalt drillhastighet"-seksjonen for informasjon om drillhastighet. For tilbehør, referer til instruksjonene levert med hvert tilbehør.
4. Klatre aldri på drillpressens bord, det kan brette eller hele drillpressen kan falle på deg.
 5. Skru strømmen AV ved strømuttaket når du forlater produktet.
 6. For å unngå skade fra kastet arbeid eller kontakt med verktøyet, utfør ikke layout, montering eller installasjonsarbeid på bordet mens kutteverktøyet roterer.

PLASSER BORDET OG ARBEIDSTYKKET

Se fig. 29-30.

1. Lås bordet til kolonnen i en posisjon der tuppen av drillbitsen er akkurat over toppen av arbeidsstykket.
2. Plasser alltid reservemateriale (ekstra tre) på bordet under arbeidsstykket). Dette vil forhindre flising eller avgrading på undersiden av arbeidsstykket. For å hindre at reservematerialet spinner, plasser det mot venstre siden av søylen.
3. Bruk egnet støtteutstyr for overhengende arbeidsstykke.

⚠ ADVARSEL

For å hindre at arbeidsstykket eller reservematerialet blir kastet mens du driller, MÅ du plassere arbeidsstykket mot venstresiden av søylen. Dersom arbeidsstykket eller reservematerialet ikke er langt nok til å nå søylen, fest dem til bordet for å feste arbeidsstykket. Manglende sikring av arbeidsstykket kan føre til personskade.

⚠ ADVARSEL

En drillpressevise må festes eller boltes til boret for å unngå skade fra et spinnende arbeidsstykke, eller en skadd vise eller bits.

HOLDING AV EN DRILLEPOSISJON

1. Bruk en hullemaskin eller en skarp spiker, lag et merke i arbeidsstykket hvor du skal drille.
2. Skru på laserguiden og juster laserlinjene (x) med hakkene før du skrur drillen PÅ.

TILT BORDET

Se fig. 31.

NB: Bordstøtten har et forhåndsdrillet hull med en låsepinne for å låse bordet i en forhåndsdrillet 0° skråvinkel.

1. Stram mutteren på låsepinnen med 10 mm eller



justerbar skiftenøkkel med klokken for å løsne pinnen fra bordstøtten. Denne pinnen vil være nødvendig ved plassering av bordet tilbake til 0-graders innstillinger fra bordstøtten.

2. Løsne den store sekskantede skrålåsebolten ved å bruke en 17 mm eller justerbar skiftenøkkel.

⚠ ADVARSEL

For å forhindre skade, pass på å holde bordet og bordarmmonteringen, slik at den ikke snur eller tilter.

3. Skråstill bordet, og juster den ønskede vinkelmålingen til nullinjen på andre siden av skalaen.
4. Stram bordets skrålåsebolt.
5. For å returnere bordet til dets originale posisjon, løsne bordets skrålåsebolt. Returner bordet til 0°-posisjon.
6. Returner mutter på låsepinnen på utsiden av slutten på trådene. Slå forsiktig på låsepinnen til den er satt i det parete hullet i bordbraketten. Håndstram mutteren.

⚠ ADVARSEL

For å unngå spinnende arbeid eller verktøybrennkasje, fest alltid arbeidsstykker og reservemateriale til bordet før bruk av drillpressen.

FORING

1. Dra på matehåndtaket med akkurat nok kraft for at drillen kan skjære
2. For sen innmating kan forårsake brann i drillbitsen. For rask innmating kan føre til at beltet eller drillen slipper, arbeidsstykket kan løse og drillbitsen kan knekke.
3. Ved drilling av metall, er det nødvendig å smøre drillbits med olje for å unngå brann i arbeidsstykket og bits.

VEDLIKEHOLD

⚠ ADVARSEL

For din sikkerhet, skru bryteren AV og dra ut stikkkontakten før reparasjon eller smøring av drillpressen.

Blås ut ofte med en luftkompressor eller støvsuger, all sagflis eller metallflis som samles inne i motoren, trinsebeholderen og arbeidsoverflate. Anvend alltid sikkerhetsbriller når verktøyet brukes.

⚠ ADVARSEL

For å unngå sjokk eller brannfare, dersom strømledningen er slitt eller kuttet må den erstattes øyeblikkelig av en kvalifisert elektriker eller servicetekniker.

SMØRING

Alle drillpressens kulelager er pakket med fett på fabrikk. De krever ikke videre vedlikehold.

Smør girene, stativene, bordets løftmekanisme av spindelen, stativet (tennene) til spolen jevnlig. Senk spindelen ned og olje spindelermot moderat hver tredje måned.

VEDLIKEHOLD OG OPPBEVARING

Se fig. 32.

Ved transport av produktet koble fra strømledningen og se til at alle deler er godt festet. Se fig. 32 for gripeområdene når du løfter produktet.

Oppbevar maskinen på et trygt sted der barn ikke har tilgang.

Rengjør produktet med en børste eller støvsuger før det settes bort for lagring.

SYMBOL



Sikkerhetsadvarsel



Europeisk samsvarsmerking



Britisk samsvarsmerking



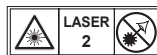
Ukrainsk samsvarsmerking



EurAsian Konformitetstegn



Les instruksjonene nøye før apparatet tas i bruk.



Laserstråling.
Ikke stirr inn i laserstrålen.
Class 2 laserprodukt



Utsett ikke for regn eller bruk på fuktige steder.



Bruk hørselsvern



Bruk alltid øyebeskyttelse.



Chuckkapasitet



Spindelbevegelse



Borinnjustering



Borbitsdiameter (tommer)



Tre



Aluminum
Sink
Messing



Jern
Stål

Ikke kast elektrisk og elektronisk utstyrsavfall som usortert kommunalt avfall. Elektrisk og elektronisk utstyrsavfall må samles inn separat. Avfallslyskilder må være fjernet fra utstyret. Undersøk med de lokale myndighetene for resirkuleringsråd og innsamlingspunkt. I henhold til lokale forskrifter kan forhandlere være forpliktet til å ta tilbake elektrisk og elektronisk utstyrsavfall gratis. Ditt bidrag til gjenbruk av og gjenvinning av elektrisk og elektronisk utstyrsavfall bidrar til å redusere etterspørselen etter råmaterialer. Elektrisk og elektronisk utstyrsavfall inneholder verdifulle og resirkulerbare materialer som kan påvirke miljøet og menneskets helse negativt, hvis de ikke blir kastet på en miljøkompatibel måte. Slett personlig data fra utstyrsavfall, om noen.



FEILSØKING

Problem	Mulig årsak	Løsning
Høylytt drift.	<ol style="list-style-type: none"> 1. Feil beltespenning. 2. Spindelen er tørr. 3. Spindeltrinsen er løs. 4. Motortrinsen er løs. 	<ol style="list-style-type: none"> 1. Juster spenning. Se seksjonen "Beltespenning". 2. Smør spindelen. Se seksjonen "Smøring". 3. Sjekk stramheten på mutteren på trinsen, og stram om nødvendig. 4. Stram settskruen i motortrinsen.
Drillbits brenner.	<ol style="list-style-type: none"> 1. Feil hastighet. 2. Spon kommer ikke ut av hullet. 3. Drillbitsen er sløv. 4. Foringen er for treg. 5. Ikke smurt. 	<ol style="list-style-type: none"> 1. Endre hastighet. Se seksjonen "Endre hastighet og belteerstatning". 2. Dra drillen tilbake ofte for å fjerne spon. 3. Spiss drillbitsen eller erstatt med ny bits. 4. Mat inn raskt nok – la drillen kutte. 5. Smør drillen. Se seksjonen "Innmating".
Gått tom for drillbits, punkt-drillet hull ikke rundt.	<ol style="list-style-type: none"> 1. Hardt korn i tre eller lengder av kutteruter og/eller vinkler er ikke like. 2. Drillbit er bøyd. 	<ol style="list-style-type: none"> 1. Spiss drillbitsen på korrekt måte. 2. Erstatt drillbit.
Trefliser på undersiden.	<ol style="list-style-type: none"> 1. Ingen reservemateriale under arbeidsstykket. 	<ol style="list-style-type: none"> 1. Bruk reservemateriale. Se seksjonen "Bruk".
Arbeidsstykket revet løs fra hendene	<ol style="list-style-type: none"> 1. Arbeidsstykket er ikke støttet eller festet ordentlig. 	<ol style="list-style-type: none"> 1. Støtt arbeidsstykket eller fest det. Se seksjonen "Bruk".
Drillbitsbinding i arbeidsstykket.	<ol style="list-style-type: none"> 1. Arbeidsstykket klemmer drillbits, eller for stort trykk. 2. Feil beltespenning. 	<ol style="list-style-type: none"> 1. Støtt arbeidsstykket eller fest det. Se seksjonen "Bruk". 2. Juster spenning. Se seksjonen "Beltespenning".
Overdreven drillbitsbevegelse eller vingling.	<ol style="list-style-type: none"> 1. Drillbit er bøyd. 2. Kulelager er slitt. 3. Drillbits ikke installert korrekt i kjoksen. 4. Kjoks er ikke riktig installert. 	<ol style="list-style-type: none"> 1. Bruk en rett drillbit. 2. Bytt kulelagre. 3. Installer drill riktig. Se seksjonen "Bruk" og "Montering og justering". 4. Installer drill riktig. Se seksjonen "Installer kjoksen".
Spol returnerer for sent eller for fort.	<ol style="list-style-type: none"> 1. Spiralfjær har feil spenning. 	<ol style="list-style-type: none"> 1. Juster fjærspenning. Se seksjonen "Spolens returspringfjær".
Kjoksen vil ikke forbli festet til spindelen. Den faller av under installasjon.	<ol style="list-style-type: none"> 1. Skit, fett eller olje på den koniske indre overflaten av kjoksen eller på spindelens koniske overflate. 	<ol style="list-style-type: none"> 1. Bruk en ikke-alkoholbasert rens, vask den koniske overflaten på kjoksen og spindelen for å fjerne skit, fett og olje. Se seksjonen "Installer kjoksen".

ОПИСАНИЕ

- Верхний узел
- Рабочий стол
- База
- Планка с зубьями
- Блок стойки
- Кольцо стойки
- Рукоятки подачи
- Ходовой винт
- Ручка блокировки столика
- Изогнутая рукоятка столика
- Шестигранные болты
- Зажимной патрон
- Торцовый ключ
- 4 мм шестигранный ключ
- 3 мм шестигранный ключ
- Крестообразная отвертка
- Разводной гаечный ключ
- 12 мм ключ
- Молоток или резиновая киянка
- Комбинированный угольник
- Деревянный брусок
- Двигатель
- Лазерная головка
- Пружина/спираль отвода в исходное положение
- Кронштейн столика
- Крышка роликов
- Тумблер включения/выключения
- Выключатель лазера
- Верхняя защита
- Монтажное отверстие
- Винт фиксации верхнего блока
- Ручка блокировки натяжения ремня
- Держатель торцового ключа
- Ролик шпинделя
- Ролик двигателя
- Опора столика
- Отверстие изогнутой рукоятки столика
- Опора стойки
- Нажимной винт
- Верхний блок
- Нажимной винт фиксации верхнего блока
- Отверстия с резьбой
- Ступичный узел
- Шпиндель
- Болт х 2 (M12, не входит в поставку)
- Пружинная шайба х 4 (Dia. 12mm, не входит в поставку)
- Резиновая шайба х 2 (Dia. 12mm, не входит в поставку)
- Плоская шайба х 2 (Dia. 12mm, не входит в поставку)
- Стопорная гайка х 2 (M12, не входит в поставку)
- Шестигранная гайка х 2 (M12, не входит в поставку)
- Рабочая поверхность
- Наклонной шкале
- Болт фиксации угла наклона столика
- Гайка
- Стопорная гайка
- Винты
- Нижняя передняя прорезь
- Крышка с пружиной
- Внешняя стопорная гайка
- Внутренняя гайка
- Паз
- Выступ
- Кулачки патрона
- Сверло
- Глубина
- Указатель шкалы глубин
- Глубина масштаба
- Верхняя гайка
- Нижняя гайка
- Кулак ограничителя глубины
- Заготовка

В основе конструкции вашего сверлильного станка лежат принципы безопасности, продуктивности и надежности.

НАЗНАЧЕНИЕ

Сверлильный станок предназначен для сверления отверстий в древесине, пластике, алюминии и стали. К работе с устройством допускаются совершеннолетние лица, ознакомившиеся с инструкцией по эксплуатации и осознающие связанные с этим риски и угрозы.

Инструмент фиксируется основанием на твердой поверхности. Если основание плохо закреплено, инструмент может переворачиваться, скользить или шататься на опорной поверхности во время выполнения работ, что повышает риск получения тяжелой травмы.

Инструмент подлжет использованию в сухом помещении в условиях достаточного освещения и вентиляции.

Используйте данное изделие только по его прямому назначению в соответствии с данным руководством.

ОСНОВНЫЕ УКАЗАНИЯ ПО ТЕХНИКЕ БЕЗОПАСНОСТИ ПРИ РАБОТЕ С

⚠ ОСТОРОЖНО

Прочтите все указания, инструкции, иллюстрации и спецификации, поставляемый с этим электроинструментом. Несоблюдение всех инструкций, указанных ниже, может привести к поражению электрическим током, пожару и / или серьезным травмам.

Сохраните все предупреждения и инструкции для дальнейшего использования. Термин "электроинструмент" в предупреждениях означает инструмент, работающий от электрической сети (проводной) или аккумулятора (беспроводной).

БЕЗОПАСНОСТЬ НА РАБОЧЕМ МЕСТЕ

- Рабочий участок должен быть свободным и хорошо освещенным. Загромождение или плохое освещение рабочей зоны может привести к несчастным случаям.
- Не используйте электроинструменты во взрывоопасной среде, например, при наличии легковоспламеняющихся жидкостей, газов или пыли. В электрических устройствах могут образовываться искры, что может привести к воспламенению пыли или газа.
- Не допускайте присутствия детей и посторонних лиц при работе с электроинструментом. Отвлечение на посторонних лиц может привести к потере контроля во время эксплуатации агрегата.

ЭЛЕКТРОБЕЗОПАСНОСТЬ

- Вилки кабеля питания инструмента должны соответствовать используемой розетке. Не подвергайте вилку кабеля каким-либо изменениям. Не используйте какие-либо переходники с электроинструментами с заземляющим проводом. Использование оригинальных штепсельных вилок и соответствующих розеток предотвращает опасность поражения электрическим током.
- Не допускайте контакта частей тела с поверхностями заземленных предметов, например труб, радиаторов отопления, кухонных плит, холодильников. При соприкосновении частей тела человека с заземленными участками возрастает опасность поражения электрическим током.
- Не оставляйте электроинструменты под дождем или в условиях повышенной влажности. Попавшая внутрь электроинструмента вода увеличивает опасность поражения электрическим током.
- Не допускайте неправильного обращения с кабелем. Не используйте кабель для переноски, перемещения или отключения инструмента от сети питания. Не раскладываете кабель вблизи источников тепла, масла, острых предметов или подвижных элементов. Поврежденные или запутанные провода повышают опасность поражения электрическим током.
- При работе с электроинструментом вне помещений пользуйтесь удлинительным кабелем, предназначенным для наружного применения. Использование кабеля, предназначенного для наружного применения, снижает опасность поражения электрическим током.
- Если нет возможности избежать работы в условиях повышенной влажности, подключайте электроинструмент через устройство защитного отключения. При использовании устройства защитного отключения снижается опасность поражения электрическим током.

ЛИЧНАЯ БЕЗОПАСНОСТЬ

- Будьте внимательны при работе с устройством и руководствуйтесь здравым смыслом. Не используйте агрегат в случае усталости или после принятия наркотиков, алкоголя или медицинских препаратов. Малейшая невнимательность при работе с электроинструментом может привести к серьезной травме.
- Использовать средства индивидуальной защиты. Всегда надевайте защитные очки. Такие средства защиты, как противопылевая маска, нескользящая обувь, жесткий головной убор и средства защиты органов слуха, при

использовании в соответствующих условиях позволят снизить риск получения травм.

- **Не допускайте непреднамеренного запуска.** Перед подключением инструмента к источнику питания, заменой аккумуляторного блока, поднятием и переноской инструмента проверьте, чтобы переключатель находился в положении "выключено". При переноске электроинструментов с пальцем на переключателе или подаче питания к инструментам при переключателе в положении "вкл." возможны несчастные случаи.
- **Перед включением электроинструмента уберите все регулировочные и гаечные ключи.** Гаечные или регулировочные ключи, оставленные на вращающихся частях электроинструмента, могут привести к телесному повреждению.
- **Не прикладывайте чрезмерных усилий.** Старайтесь сохранять устойчивость и подыскивайте твердую опору. Это обеспечивает лучшую управляемость электроинструментом в непредвиденных ситуациях.
- **Одевайтесь соответствующим образом.** Не надевайте одежду свободного покроя и украшения. Не допускайте попадания волос и одежды в подвижные детали. Свободная одежда, украшения и длинные волосы могут попасть в движущиеся части.
- **При наличии оборудования для соединения пылеуловителей и пылеотделителей обеспечьте его надлежащее подключение и эксплуатацию.** Пылеулавливание может снизить угрозы, связанные с образованием пыли.
- **Не нарушайте правила техники безопасности, даже несмотря на длительный опыт работы с инструментами.** небрежные действия могут за долю секунды привести к серьезной травме.

ЭКСПЛУАТАЦИЯ ЭЛЕКТРОИНСТРУМЕНТА И УХОД ЗА НИМ

- **Не увеличивайте скорость работы инструмента.** Правильно подбирайте инструмент для выполнения необходимой работы. Правильно подобранный инструмент лучше и безопаснее выполняет свою работу.
- **Не пользуйтесь электроинструментом, если выключатель не включается или не выключается.** Любой электроинструмент, не управляемый выключателем, представляет опасность и должен быть отремонтирован.
- **Перед регулировкой, заменой принадлежностей и помещением электроинструмента на хранение отсоедините вилку от источника питания и/или извлеките аккумуляторный блок (если это возможно).** Такие меры предосторожности снижают риск случайного пуска инструмента.
- **Храните неиспользуемые**

электроинструменты в месте, недоступном для детей, а также не допускайте к использованию данного инструмента лиц, не знакомых с его работой или не ознакомленных с данными инструкциями. Использование электроинструментов лицами, не подготовленными к работе с подобными электроинструментами, может стать причиной создания опасных ситуаций.

- **Электроинструменты и принадлежности необходимо обслуживать.** Проверьте инструмент на предмет наличия перекоса или заклинивания движущихся частей, дефектов компонентов или наличия иных условий, которые могут отразиться на его работе. При повреждении изделия перед его дальнейшим использованием следует выполнить техническое обслуживание. Большое количество несчастных случаев происходит из-за ненадлежащего технического обслуживания изделий.
- **Поддерживайте режущие инструменты в заточенном и чистом виде.** Режущие инструменты в надлежащем состоянии, с острыми кромками менее подвержены застреванию и более управляемы.
- **Используйте инструмент, принадлежности, наконечники и др. в соответствии с данными инструкциями, учитывая условия и характер работы.** Использование данного электроинструмента не по назначению может создать опасную ситуацию.
- **Поддерживайте захватные поверхности в сухом, чистом виде, без масла и смазки.** Скользкие рукоятки и захватные поверхности не дают возможности контролировать инструмент в нестандартных ситуациях.

ОБСЛУЖИВАНИЕ

- **Техническое обслуживание и ремонт электроинструмента должен выполнять только квалифицированный специалист с использованием взаимозаменяемых запасных частей.** Это обеспечит нормальное техническое состояние устройства.

ТРЕБОВАНИЯ БЕЗОПАСНОСТИ ПРИ РАБОТЕ СО СВЕРЛИЛЬНЫМ СТАНКОМ

- **Дрель должна быть закреплена.** Неправильно закрепленная дрель может сместиться или опрокинуться, что может привести к травме.
- **Заготовка должна быть зажата или закреплена на опоре заготовки.** Не сверлите детали, которые слишком малы для надежного крепления. Удержание заготовки рукой во время работы может привести к травме.
- **Не используйте перчатки.** Перчатки могут зацепиться за вращающиеся детали или стружку, что может привести к травме.
- **Во время работы инструмента держите**



- руки вдали от области сверления. Контакт с вращающимися деталями или стружкой может привести к травме.
- **Убедитесь, что принадлежность вращается перед подачей в заготовку.** В противном случае принадлежность может застрять в заготовке, что приведет к неожиданному движению заготовки и травме.
 - **В случае застревания принадлежности прекратите оказывать давление вниз и выключите инструмент.** Выясните причину застревания и примите меры по устранению. Застревание может вызвать неожиданное движение заготовки и травму.
 - **Избегайте образования длинных стружек, регулярно прерывая давление вниз.** Острая металлическая стружка может вызвать зацепление и травмы.
 - **Не удаляйте стружку из области сверления во время работы инструмента.** Для удаления стружки отодвиньте принадлежность от заготовки, выключите инструмент и подождите, пока принадлежность перестанет двигаться. Используйте инструменты, такие как щетка или крючок, чтобы удалить стружку. Контакт с вращающимися деталями или стружкой может привести к травме.
 - **Принадлежности с номинальными скоростями должны иметь скорость не ниже максимальной скорости, указанной на электроинструменте.** Аксессуары работают быстрее, чем их номинальная скорость может привести к поломке и развалится.
 - **Сверла должны быть чистые и острые.** Острые сверла снижают возможность потери скорости. Грязные и тупые сверла могут привести к отклонению материала и травме пользователя.
 - **Держите руки вдали от рабочего участка.** Держите руки вдали от сверла. При работе с инструментом не носите свисающую одежду, бижутерию и распущенные длинные волосы. Они могут наматываться на сверло.
 - **Для предотвращения вращения детали зажимайте ее или фиксируйте у стойки.** Никогда не держите деталь при сверлении руками.
 - **Используйте соответствующую рекомендованную скорость для каждого вида сверл и типа материала.**
 - **Проверьте надежность фиксации сверла или режущего инструмента.**
 - **Перед подключением к источнику питания или включением инструмента убедитесь, что торцовый ключ вынут из зажима.**
 - **Отрегулируйте высоту стола или ограничитель глубины, чтобы не просверлить стол.** После окончания работы отключите электропитание, снимите сверло и помойте стол.
 - **При использовании лазерного указателя**
- всегда предохраняйте глаза от прямого попадания луча.
- **Убедитесь, что лазерный луч направлен на поверхность без отражающих свойств.** Нельзя использовать лазер с блестящими отражающими поверхностями.
 - **Не помещайте пальцы в такое положение, при котором они могут попасть под сверло или режущий инструмент при случайном движении детали.**
 - **Никогда не выполняйте никакие операции, двигая верхний блок или столик по отношению друг к другу.** Не включайте двигатель и не начинайте выполнять операции, пока не проверите, что ручка блокировки опоры столика и верхнего блока надежно зафиксирована на стойке, а обечайки крепления верхнего блока и столика находятся в правильном положении.
 - **Перед включением инструмента проверьте: защита ремня должна быть опущена, а зажим правильно установлен.**
 - **Перед тем, как оставить инструмент, заблокируйте выключатель в выключенном положении.** Никогда не выполняйте разметку, монтаж и настройку на столике при вращающемся, включенном или подключенном к источнику питания режущим инструментом.
 - **Если кабель питания поврежден, во избежание опасности его должен заменить либо сам производитель, либо специалист авторизованного сервисного центра.**
 - **Неиспользуемые инструменты убирайте на хранение.** Неиспользуемый инструмент следует хранить в сухом защищенном месте, недоступном для детей.
 - **Рекомендуется, чтобы инструмент всегда подавался через устройство защитного отключения с номинальным током срабатывания 30 мА или менее.**
 - **Сохраните данные инструкции.** Чаше обращайтесь к ним и используйте для инструктажа других пользователей. Если вы временно передаете кому-либо данный инструмент, передайте вместе с ним и данные инструкции.

ПРАВИЛА ТЕХНИКИ БЕЗОПАСНОСТИ ПРИ РАБОТЕ С ЛАЗЕРОМ

- Лазерное излучение, используемое в изделии, относится ко 2 классу точности, при этом максимальная полезная мощность составляет мВт, а длина волны - 650 нм. Не смотрите прямо на лазерный луч. Несоблюдение правил может привести к серьезным травмам.
- Не смотрите на лазерный луч во время работы.
- Не направляйте лазерный луч в глаза других лиц. Это может привести к тяжелым нарушениям зрения.
- Не устанавливайте лазер в такое положение,



чтобы кто-либо мог намеренно или случайно посмотреть прямо на лазерный луч.

- Не используйте оптических инструментов для рассматривания лазерного луча.
- Не используйте лазер в присутствии детей и не разрешайте им пользоваться лазером.
- Не пытайтесь самостоятельно отремонтировать лазерное устройство.
- Не пытайтесь самостоятельно заменить какие-либо части лазерного устройства.
- Любой ремонт должен выполняться только изготовителем лазера или уполномоченным сервисным агентом.
- Не заменяйте лазер лазером другого типа.

ОСТАТОЧНЫЕ РИСКИ

Даже когда изделие используют согласно инструкциям, невозможно полностью устранить факторы риска. Оператор должен уделять особое внимание данным моментам, чтобы снизить риск получения телесных повреждений.

- Повреждение слуха – Носите надлежащие средства защиты органов слуха и ограничивайте неблагоприятное воздействие.
- Повреждение зрения – Всегда носите защитные очки при работе с устройством.
- Травмы, вызываемые вибрацией - Ограничьте воздействие и следуйте инструкциям по снижению риска, представленным в настоящем руководстве.
- Повреждение органов дыхания пылью, образующейся во время эксплуатации изделия – Носите надлежащие средства защиты в зависимости от вида пыли.

▲ ОСТОРОЖНО

Некоторые виды пыли от шлифовки, распилки, формовки, сверления и других строительных операций содержат канцерогенные химикаты, способные вызвать врожденные аномалии и проблемы бесплодия. Ниже приведен список таких химикатов:

- свинец, в красках на свинцовой основе,
- кристаллизованный песок, содержащийся в некоторых марках цемента, кирпича и прочих каменных строительных материалах,
- мышьяк и хром в некоторых видах обработанного дерева.

Риски поражения этими химикатами зависят от частоты и типа работ. Во избежание контакта с этими химикатами, работайте в проветриваемом помещении, используйте необходимые средства безопасности, такие как специальные респираторы для фильтрации микроскопических частиц.

ЭЛЕКТРИЧЕСКИЕ ЭЛЕМЕНТЫ

Пользуйтесь только 3-жильным удлинительным кабелем, имеющим 3-контактную вилку с заземлением и 3-гнездовой электрической розеткой, соответствующей имеющейся вилке. При использовании электрического устройства на значительном расстоянии от места подключения к электросети используйте удлинительным кабелем, который сможет выдержать ток нагрузки для данного устройства. Использование маломощного удлинительного кабеля приведет к падению напряжения в цепи, что вызовет потерю мощности и перегрев двигателя.

Перед использованием удлинителя проверьте его на наличие оголенных или ослабленных проводов, а также разрывов или повреждения изоляции.

▲ ОСТОРОЖНО

Не размещайте удлинительный кабель в рабочей зоне. Разместите кабель таким образом, чтобы он не зацепился за посторонние предметы, инструменты или другие препятствия при работе с электроинструментом. Невыполнение этого требования может привести к серьезной травме.

▲ ОСТОРОЖНО

Проверяйте удлинительный кабель перед каждым использованием. В случае повреждения сразу же замените его. Никогда не пользуйтесь устройством с поврежденным кабелем питания, так как прикосновение к поврежденному участку может привести к поражению электрическим током и тяжким телесным повреждениям.

ЭЛЕКТРИЧЕСКОЕ ПОДКЛЮЧЕНИЕ

Данное устройство приводится в действие с электродвигателем с высоким качеством сборки. Устройство следует подключать только к электрической сети переменного тока с напряжением 220~240 В, 50 Гц (стандартные параметры электросети для жилых помещений). Не используйте для питания данного устройства постоянный ток. Значительное падение напряжения на двигателе приведет к выделению мощности и перегреву двигателя. Если подключенное к розетке устройство не работает, убедитесь в наличии напряжения в сети.

СКОРОСТЬ И ПРОВОДКА

Эта скорость непостоянная и уменьшается при изменении нагрузки или уменьшении напряжения. Что касается напряжения, проводка в цехе настолько же важна, как и потребляемая мощность двигателя. Линия, предназначенная для подсветки, не может обеспечить надлежащее питание двигателя инструмента. Провод, достаточный для

короткого участка, может оказаться недостаточным для более протяженного участка. Линия, к которой может быть подключен один инструмент, может быть не рассчитана на подключение двух или трех инструментов.

УКАЗАНИЯ ПО ЗАЗЕМЛЕНИЮ

В случае неисправности или поломки устройства заземление обеспечит электрическому току для протекания путь наименьшего сопротивления и предотвратит опасность поражения электрическим током. Данное устройство снабжено электрокабелем с заземляющим проводом и вилкой с контактом заземления. Вилка должна подключаться к заземленной розетке, установленной в соответствии со всеми действующими в данном регионе нормами. Не переделывайте вилку питания. Если вилка не подходит к розетке, обратитесь к квалифицированному электрику для установки подходящей розетки. Неправильное подключение проводника, зануляющего оборудование, может привести к поражению электрическим током. Проводник, внешняя изоляционная оболочка которого зеленого цвета с желтыми полосками или без них является проводником, зануляющим оборудование. Если необходимо выполнить ремонт электрического кабеля или вилки, не подключайте проводник, зануляющий оборудование к клемме, находящейся под напряжением.

Сразу же ремонтируйте или заменяйте поврежденный или изношенный кабель.

РЕКОМЕНДУЕМЫЕ ДЕТАЛИ

▲ ОСТОРОЖНО

Используйте только детали, рекомендованные для данного инструмента.

Выполняйте инструкции к деталям. Использование несоответствующих деталей опасно.

- Сверло
- Вертикальный прижим
- Зажимы сверлильного станка

▲ ОСТОРОЖНО

Пользуйтесь только деталями, предназначенными для использования с настоящим инструментом, чтобы избежать травм вследствие поломки деталей или заготовок.

Не пользуйтесь деталью, если вы предварительно не прочитали инструкцию или руководство пользователя к этой детали.

СОДЕРЖИМОЕ КОРОБКИ

ВСКРЫТИЕ УПАКОВКИ И ПРОВЕРКА СОДЕРЖИМОГО

▲ ОСТОРОЖНО

Если какие-либо детали отсутствуют или повреждены, не подключайте инструмент к сети, пока не будут заменены необходимые детали и монтаж будет завершен.

Осторожно распакуйте инструмент и все детали, и сверьтесь со списком, приведенным ниже.

Для защиты инструмента от влаги на его обточенные поверхности нанесено защитное покрытие. Удалите это покрытие мягкой тряпкой, смоченной в керосине или WD-40.

▲ ОСТОРОЖНО

Во избежание воспламенения или токсической реакции не пользуйтесь для очистки инструмента бензином, лигроином, ацетоном, разбавителем лака или подобным легколетучим растворителем.

Нанесите восковую пасту на стол, стойку и обточенные поверхности основания для защиты от ржавчины. Тщательно протрите все детали чистой сухой тряпкой.

Пункт	Описание	Кол-во
1	Верхний узел	1
2	Рабочий стол	1
3	База	1
4	Планка с зубьями	1
5	Блок стойки	1
6	Кольцо стойки	1
7	Рукоятки подачи	3
8	Ходовой винт	1
9	Ручка блокировки столика	1
10	Изогнутая рукоятка столика	1
11	Шестигранные болты	3
12	Зажимной патрон	1
13	Торцовый ключ	1
14	4 мм шестигранный ключ	1
15	3 мм шестигранный ключ	1

МОНТАЖ И РЕГУЛИРОВКА**⚠ ОСТОРОЖНО**

В целях вашей собственной безопасности никогда не подключайте инструмент к источнику питания до окончания монтажа инструмента и внимательного прочтения инструкций по технике безопасности, приведенных в настоящем руководстве пользователя.

⚠ ОСТОРОЖНО

Изделие представляет собой тяжелый инструмент, для безопасного монтажа следует поднимать его с помощью минимум двух человек.

МОНТАЖ СТОЙКИ НА ОСНОВАНИЕ

См. рис. 5.

1. Поместите основание на плоскую, устойчивую поверхность.
2. Выровняйте отверстия для винтов в стойке с отверстиями для винтов в основании.
3. В каждое отверстие вставьте шестигранный болт.
4. Затяните каждый шестигранный болт с помощью разводного ключа.

УСТАНОВКА СТОЛИКА НА СТОЙКУ

См. рисунки 6 - 10.

1. Вставьте ручку блокировки кронштейна столика в резьбовое отверстие на задней стороне кронштейна столика.

ПРИМЕЧАНИЕ: Устанавливайте ручку слева направо так, чтобы сначала она вошла с нерезьбовой стороны кронштейна.

2. Вставьте ходовой винт в отверстие изогнутой ручки в кронштейне столика. Ходовой винт должен сцепиться с внутренней шестерней.

ПРИМЕЧАНИЕ: Не снимайте смазку с ходового винта.

3. Вставьте планку через прорезь в кронштейне столика так, чтобы зубцы были направлены вниз, а более длинный гладкий конец - вверх. Ходовой винт должен сцепиться с планкой.

4. Двумя руками установите столик с планкой на стойку, пока нижняя часть планки не установится на манжете основания у стойки.

5. Затяните ручку блокировки кронштейна столика, чтобы закрепить блок столика на стойке.

ПРИМЕЧАНИЕ: Не перетяните.

6. Наденьте кольцо планки скошенной стороной вниз на стойку так, чтобы скошенный край сцепился со скошенным краем планки.

7. Затяните нажимной винт на муфте с помощью шестигранного ключа. Чтобы избежать повреждения стойки или муфты, не перетяните нажимной винт.

ПРИМЕЧАНИЕ: Столик должен двигаться из

стороны в сторону.

8. Вставьте изогнутую ручку столика над краем ходового винта так, чтобы плоская сторона вала выровнялась с нажимным винтом.
9. Затяните нажимной винт с помощью шестигранного ключа.

УСТАНОВКА ВЕРХНЕГО БЛОКА

См. рис. 11.

⚠ ОСТОРОЖНО

Верхний блок сверлильного станка тяжелый, для безопасной установки на стойку его необходимо устанавливать с помощью двух человек.

1. Установите верхний блок на стойку с помощью зажима, расположенного над столом.

ПРИМЕЧАНИЕ: Изделие имеет большой вес. При необходимости работайте с помощником.

2. Опустите верхний блок вниз до упора. Выровняйте блок столика с основанием, затем затяните два верхних нажимных винта с помощью шестигранного ключа.

УСТАНОВКА РУКОЯТОК ПОДАЧИ

См. рис. 12.

1. Установите три рукоятки подачи, закрепив их винтами в резьбовых отверстиях ступичного узла.

УСТАНОВКА ЗАЖИМА

См. рисунки 13 - 15.

⚠ ОСТОРОЖНО

Перед установкой зажима на верхний блок сверлильного станка, очистите все контактирующие поверхности средством на нефтяной основе. Необходимо удалить упаковочную смазку с этих деталей, иначе зажим может разболтаться во время работы.

1. Очистите коническое отверстие зажима чистой тряпкой с чистящим средством не на спиртовой основе. Тщательно вытрите остатки масла и грязи.

2. Очистите конические поверхности шпинделя таким же образом, как описано выше.

ПРИМЕЧАНИЕ: На поверхностях не должно быть посторонних частиц. Даже небольшая частица грязи или масла на этих поверхностях не позволит зажиму сесть герметично. Это вызовет колебания зажима и сверла.

3. Установите зажим на шпиндель. Зажим должен быть полностью открыт, чтобы не повредить тиски.

4. Разблокируйте фиксатор опоры столика и откачните столик от нижней части зажима.

5. Установите зажим на шпиндель, проталкивая его

вверх.

- Используя деревянный брусок для защиты зажима, плотно вбейте зажим на место с помощью плотка или киянки.

▲ ВНИМАНИЕ

Риск повреждения. Чтобы избежать повреждения элемента зажима, никогда не вбивайте его на шпindel металлическим молотком.

СНЯТИЕ ЗАЖИМА

- Поверните рукоятки подачи так, чтобы опустить зажим в нижнее положение.
 - Установите разделитель шарнирного соединения (не показан) над зажимом и легко сбейте его молотком или резиновой киянкой так, чтобы он упал со шпинделя.
- ПРИМЕЧАНИЕ:** Никогда не бейте напрямую по зажиму

ПРИМЕЧАНИЕ: Чтобы избежать возможного повреждения зажима, держите тиски поднятыми и будьте готовы поймать зажим.

УСТАНОВКА СВЕРЛИЛЬНОГО СТАНКА НА РАБОЧУЮ ПОВЕРХНОСТЬ

См. рис. 16.

Инструмент следует использовать в постоянном месте установки, закрепив его на верстак или другую устойчивую поверхность.

Если инструмент планируется использовать в качестве портативного, установите его на монтажную доску, а затем с помощью зажима крепить на верстак или другую устойчивую поверхность. Монтажная доска должна быть соответствующего размера, чтобы не вызывать опрокидывание станка при использовании. Рекомендуем использовать фанеру хорошего качества или ДСП толщиной 19 мм.

- Отметьте отверстия на поверхности, на которой будет установлен станок, используя отверстия в основании станка в качестве шаблона.
- Просверлите отверстия в монтажной доске.
- Установите сверлильный станок на монтажную доску, выравнивая отверстия в основании с отверстиями, просверленными на монтажной доске.
- Вставьте болты (не входят в поставку) и тщательно затяните с помощью стопорных шайб и шестигранных гаек (не входят в поставку).

При использовании шурупов с квадратной головкой проверьте их длину: они должны проходить через отверстия в основании станка и через материал, к которому будет крепиться станок. При использовании шурупов с шестигранной головкой проверьте их длину: они должны проходить через отверстия в основании станка, через материал, к которому будет крепиться станок и учитывать толщину блокирующих шайб и шестигранных гаек.

ПРИМЕЧАНИЕ: Все болты должны вставляться сверху. Установите стопорные шайбы и шестигранные гайки снизу верстака.

После установки изделия на устойчивую поверхность:

- Проверьте вибрацию при включенном двигателе.
- При необходимости отрегулируйте и затяните элементы крепления.
- Блок столика должен свободно перемещаться вверх и вниз по стойке.
- Проверьте, вал шпинделя должен двигаться плавно.

ХРАНЕНИЕ ТОРЦОВОГО КЛЮЧА

См. рис. 17.

Держатель торцового ключа находится на правой стороне инструмента.

СВЕРЛЕНИЕ ПОД УГЛОМ

См. рис. 18.

ПРИМЕЧАНИЕ: Для измерения примерного угла сверления дана шкала углов. Для получения более высокой точности используйте угольник или другой измерительный инструмент для установки положения столика. Использование шкалы углов:

- Затяните гайку на штыре с помощью 10 мм или разводного ключа по часовой стрелке, чтобы вытащить штырь из опоры столика. Этот штырь затем понадобится, чтобы вернуть столик в начальное положение. Не выбрасывайте его.
- Раскрутите большой шестигранный болт, фиксирующий уклон столика, с помощью 17 мм или разводного ключа.
- Наклоните столик, выравнивая необходимый угол с нулевой линией напротив шкалы.
- Затяните болт фиксации угла наклона столика
- Чтобы вернуть столик в начальное положение, раскрутите болт фиксации угла наклона столика. Верните столик в положение 0°.
- Вставьте гайку на фиксирующий штырь с внешней стороны резьбы. Легко постучите по фиксирующему штырю резиновой киянкой, пока он не войдет в соответствующее отверстие на кронштейне столика. Затяните гайку вручную.

ПРИМЕЧАНИЕ: Для ясности на рисунке нет столика.

▲ ОСТОРОЖНО

Для предотвращения травм при выполнении регулировки всегда отключайте инструмент от источника питания.

ШПИНДЕЛЬ / ПОЛЫЙ ВАЛ

См. рис. 20.

Поверните рукоятки подачи против часовой стрелки, чтобы опустить шпindel в самое нижнее положение. Держите зажим и поверните его спереди назад. При люфте выполните следующее:

1. Раскрутите гайку блокировки с правой стороны инструмента с помощью 10 мм ключа.
2. Поверните винт по часовой стрелке, чтобы убрать люфт, с помощью шлицевой отвертки, но не нарушая движение вверх шпинделя. (Небольшой люфт шпинделя является нормальным.)
3. Затяните блокирующую гайку.

ПРУЖИНА ОТВОДА В ИСХОДНОЕ ПОЛОЖЕНИЕ

См. рис. 21.

Может возникнуть необходимость регулировки пружины отвода в исходное состояние, если скорость отвода слишком высокая или слишком низкая. Эта пружина расположена слева от сверлильной головки.

1. Опустите столик, чтобы обеспечить дополнительный зазор.
2. Вставьте отвертку в левую переднюю канавку на крышке пружины. Держите ее на месте, раскручивая и снимая только внешнюю стопорную гайку с помощью 10 мм ключа.
3. Также удерживая отвертку в канавке, раскрутите внутреннюю гайку, пока канавка не выйдет из выступа на верхнем блоке сверлильного станка.
ПРИМЕЧАНИЕ: Не снимайте внутреннюю гайку, иначе пружина раскрутится.
4. Осторожно поверните крышку пружины против часовой стрелки отверткой, зацепляя следующую канавку.
5. Опустите полый вал в самое нижнее положение, поворачивая рукоятку подачи против часовой стрелки, удерживая крышку пружины.
6. Если вал свободно движется вверх и вниз, затяните внутреннюю гайку у крышки пружины и крышку пружины ключом. Если слишком свободно, повторите шаги с 3 по 5. Если слишком туго, выполните шаги 4 и 5 в обратном порядке.
7. Зафиксируйте внешнюю гайку у внутренней гайки с помощью ключа.

ПРИМЕЧАНИЕ: Не перетяните, чтобы не ограничить движение вала.

НАТЯЖЕНИЕ РЕМНЯ

См. рис. 22.

1. Откройте крышку отсека роликов.
2. Чтобы разблокировать натяжение ремня, поверните ручку блокировки натяжения ремня справа от верхнего блока против часовой стрелки.
3. Потяните двигатель по направлению к передней части инструмента, чтобы ослабить натяжение ремня.
4. Установите ремень на соответствующую ступеньку роликов, чтобы получить необходимую скорость.
5. Оттолкните двигатель от верхнего блока до установления необходимого натяжения.
ПРИМЕЧАНИЕ: Натяжения ремня установлено правильно, если ремень отклоняется примерно на 13 мм при нажатии в центре.
6. Затяните ручку фиксации натяжения ремня,

чтобы зафиксировать двигатель на месте. Закройте крышку отсека роликов.

ПРОВЕРКА / РЕГУЛИРОВКА ЛАЗЕРНОГО ВЫРАВНИВАНИЯ

Инструмент оснащен системой Laser Trac®.

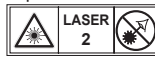
Лазерный луч позволяет посмотреть место сверления до начала работы.

⚠ ОСТОРОЖНО

Избегайте прямого контакта с глазами

Лазерный свет радиоактивен. Избегайте прямого контакта с глазами. Перед регулировкой станка отключите электропитание.

- Лазерная указка не является игрушкой и не должна попадать в руки детям. Неправильное использование данного изделия может привести к непоправимой травме глаз.
- Проведение каких-либо настроек с целью увеличить мощность лазера запрещены.
- При использовании лазерной указки не направляйте ее на людей и/или отражающие поверхности. Даже лазерный луч низкой мощности может вызвать повреждения глаз. Не смотрите прямо на лазерный луч.
- В лазерной указке нет компонентов, подлежащих техническому обслуживанию. Никогда не открывайте корпус для проведения ремонта или регулировки.
- Табличка предупреждения об использовании лазера:



- Не убирайте и не стирайте предупреждающие таблички. Удаление табличек повышает риск воздействия радиации.
- **ВНИМАНИЕ:** Использование других органов управления и настроек, а также выполнение процедур, отличных от описанных здесь, может привести к опасному радиоактивному излучению.
- Не пытайтесь отремонтировать или разбирать лазерный уровень. Попытки неквалифицированного персонала отремонтировать данное лазерное изделие могут привести к получению тяжелой травмы. Любой ремонт данного лазерного изделия должен осуществляться персоналом авторизованного сервисного центра.
- **ВНИМАНИЕ:** Использование оптических инструментов с данным изделием повышает риск получения травмы.

▲ ОСТОРОЖНО

Не используйте затемненные очки, чтобы усилить лазерный свет. Затемненные очки снижают обзор и мешают нормальной работе инструмента.

▲ ОСТОРОЖНО

Лазерное излучение. Никогда не направляйте лазерный луч на детали с отражающей поверхностью. Яркие блестящие отражающие стальные листы или подобные отражающие поверхности не рекомендуются для использования с лазером. Луч может отразиться от такой поверхности и причинить вред оператору или другим людям.

РЕГУЛИРОВКА ЛАЗЕРНЫХ ЛИНИЙ

См. рис. 23.

Проверьте, чтобы лазерные лучи пересекались точно в том месте, в котором сверло касается детали. Если это не так, лазерные лучи необходимо отрегулировать с помощью ручек регулировки лазера, расположенных на противоположных сторонах верхнего блока.

1. Отметьте "X" на деревянном бруске.
2. Вставьте маленькое сверло в зажим и выровняйте его наконечник до пересечения линий в знаке "X".
3. Закрепите брусок на столике.
4. Включите лазерную направляющую и установите линии лазера на пересечении линий в знаке "X" на детали.
5. Если линии лазера не выравниваются, раскрутите нажимные винты на корпусе каждого лазера с помощью шестигранного ключа и поверните ручки регулировки лазеров до соединения линий в центре знака "X". Снова затяните нажимные винты.

ЭКСПЛУАТАЦИЯ

▲ ОСТОРОЖНО

Будьте внимательны при работе с устройством, даже если хорошо знакомы с ним. Помните, что секундное невнимание может привести к серьезным травмам.

▲ ОСТОРОЖНО

При работе с устройством всегда надевайте предохранительные или защитные очки с боковыми защитными экранами. При несоблюдении этого правила техники безопасности посторонние предметы могут попасть в глаза и привести к тяжелым травмам.

▲ ОСТОРОЖНО

Пользуйтесь только рекомендованными изготовителем деталями и аксессуарами. Использование других деталей и аксессуаров ведет к тяжелым травмам.

▲ ОСТОРОЖНО

Во избежание получения травмы при работе инструмента держите защитное устройство закрытым.

ИЗМЕНЕНИЕ СКОРОСТИ И УСТАНОВКА РЕМНЯ

См. рис. 24.

Скорость шпинделя определяется положением ремня на роликах внутри верхнего блока. График скорости, расположенный на крышке внутри верхнего блока, показывает рекомендуемую скорость и конфигурацию роликов для каждой операции.

Чтобы изменить конфигурацию роликов:

1. Поднимите крышку роликов.
2. Раскрутите болт натяжения.
3. Снимите ремень.
4. Установите ремень в соответствии с графиком скорости.
5. Затяните болт натяжения.

ПРИМЕЧАНИЕ: Информацию о размере сверла и рекомендуемой скорости смотрите в разделе "Рекомендуемая скорость сверления".

РЕКОМЕНДУЕМАЯ СКОРОСТЬ СВЕРЛЕНИЯ

ТАБЛИЦА СКОРОСТИ СВЕРЛЕНИЯ (ОБ./МИН)

Диаметр сверла (Дюймы)	Материал		
	Древесина Пластик	Алюминий Цинк Медь	Железо Сталь
1/16	2430	2430	2430
1/8			1800
3/16		1800	1300
1/4	800		
5/16		1300	
3/8	1800		800
1/2	800	510	

Тумблер включения/выключения

См. рис. 25.

Для включения инструмента:

1. Нажмите на кнопку ВКЛ (I).

Для выключения инструмента:

1. Нажмите на кнопку ВЫКЛ (O).

⚠ ОСТОРОЖНО

Перед включением инструмента всегда проверяйте, чтобы деталь не касалась сверла. В случае игнорирования данного предупреждения заготовка может отскочить в сторону оператора и причинить ему травму.

УСТАНОВКА И СНЯТИЕ СВЕРЛ

См. рис. 26.

1. Отключите инструмент от источника питания.
2. Откройте или закройте кулачки патрона так, чтобы отверстие было немного больше, чем размер того сверла, который вы собираетесь использовать.
3. Вставьте сверло в зажим на всю длину тисков.

⚠ ОСТОРОЖНО

Не вставляйте сверло в тиски зажима и не фиксируйте, как показано на рисунке 19. При этом сверло может быть отброшено и причинить травму персоналу или повредить зажим.

4. Затяните тиски зажима с помощью торцевого ключа. Запрещается использовать ключ для затяжки или ослабления кулачков зажимного патрона.
5. Уберите торцевой ключ.
6. Чтобы снять сверло, выполните указанные выше шаги в обратном порядке.

⚠ ОСТОРОЖНО

Чтобы избежать травм и повреждений при выбросе торцевого ключа из зажима при включении инструмента, используйте только автоматически выбрасываемый торцевой ключ, поставляемый с данным станком. Всегда проверяйте и убирайте торцевой ключ перед включением инструмента. После использования убирайте торцевой ключ на место для его хранения.

СВЕРЛЕНИЕ НА ОПРЕДЕЛЕННУЮ ГЛУБИНУ

Сверление глухих отверстий (не на всю толщину детали) на заданную глубину можно выполнить двумя способами:

Способ детали

См. рис. 27.

1. Отметьте глубину отверстия на стороне детали.
2. При выключенном инструменте опустите сверло так, чтобы наконечник был вровень с отметкой.
3. Удерживайте ручку подачи в этом положении.
4. Закрутите нижнюю гайку до контакта с ограничителем глубины на верхнем блоке.
5. Скрутите верхнюю гайку вниз и прикрутите к нижней гайке.

6. Теперь сверло остановится на расстоянии, отмеченном на детали.

Способ шкалы глубин

См. рис. 28.

ПРИМЕЧАНИЕ: При зажиме, расположенном в верхнем положении, наконечник сверла должен слегка касаться поверхности детали.

1. При выключенном инструменте поверните рукоятку подачи так, чтобы указатель показывал на необходимую глубину на шкале глубин и удерживайте рукоятку подачи в этом положении.
2. Закрутите нижнюю гайку до контакта с ограничителем глубины.
3. Скрутите верхнюю гайку вниз и прикрутите к нижней гайке.
4. Теперь сверло остановится на расстоянии, выбранном на шкале глубин.

Сверление отверстия

1. Пунсоном или острым гвоздем сделайте отметку на детали в месте, где вы хотите просверлить отверстие.
2. Включите лазерную направляющую и установите линии лазера на отметке.
3. Включите инструмент и потяните рукоятки подачи с силой, только достаточной для сверления.

При слишком быстрой подаче сверло или ремень могут соскочить, сверло может прорвать деталь или сломаться.

При сверлении металла необходимо смазать наконечник сверла маслом для сверл по металлу для предотвращения его от перегрева.

ДЛЯ ВАШЕЙ ЗАЩИТЫ**⚠ ОСТОРОЖНО**

Во избежание затягивания в электроинструмент, не носите свисающую одежду, перчатки, платки и бижутерию. Всегда убирайте назад длинные волосы.

1. Если какая-либо деталь вашего инструмента отсутствует, неисправна, повреждена или сломана, немедленно прекратите работу до тех пор, пока эта деталь не будет отремонтирована или заменена
2. Не помещайте пальцы в такое положение, при котором они могут попасть под сверло или режущий инструмент. Деталь может неожиданно сдвинуться или пальцы соскользнуть.
3. Чтобы деталь не вырвало у вас из рук, не отбросило и не закрутило инструментом или не раздробило, всегда тщательно поддерживайте деталь следующим образом:
 - Всегда используйте подкладной материал (подкладывается под деталь) так, чтобы он касался левой стороны стойки.
 - При возможности, располагайте деталь у левой стороны стойки. Если деталь слишком

короткая или столик наклонен, зажмите ее прочно к столу, используя пазы.

- При использовании зажимного патрона сверлильного станка (не включен в поставку), всегда крепите его к столу.
 - Никогда не удерживайте деталь руками, за исключением процессов полировки и шлифовки.
 - Перед началом работы надежно закрепите верхний блок и опору к стойке, плечо столика к опоре, а опору к плечу столика.
 - Не двигайте верхний блок и столик во время работы инструмента.
 - Перед началом работы потрясите переключатель двигателя чтобы убедиться, что сверло или режущий инструмент не шатается и не вибрирует.
 - Если деталь свисает со столика так, что может упасть или опрокинуться, если ее не удерживать, зажмите ее к столу или обеспечьте дополнительную опору.
 - Для необычных операций используйте крепления, чтобы соответствующим образом удерживать, направлять и располагать деталь.
 - Используйте рекомендованную скорость шпинделя для каждого типа операции и материала. Информацию о скорости сверления смотрите на табличке на внутренней стороне крышки роликов или в разделе "Рекомендуемая скорость сверления". Правила работы с аксессуарами смотрите в инструкциях производителя.
4. Никогда не становитесь на столик сверлильного станка, он может сломаться или перевернуть весь станок на вас.
 5. Перед тем, как покинуть инструмент, выключите его и отключите от сети.
 6. Чтобы избежать травм от отбрасываемых деталей или при контакте с инструментом, не выполняйте разметку, монтаж и настройку на столике при вращающемся режущем инструменте.

РАСПОЛОЖЕНИЕ СТОЛИКА И ДЕТАЛИ

См. рис. 29-30.

1. Зафиксируйте столик на стойке таким образом, чтобы наконечник сверла находился над поверхностью детали.
2. Всегда подкладывайте под деталь подкладной материал (деревянный брусок). Это предотвращает откалывание и появление больших заусенцев на обратной стороне детали. Чтобы подкладной материал не раскачивался, его необходимо размещать у левой стороны стойки.
3. Для свешивающихся деталей используйте соответствующие средства поддержки.

▲ ОСТОРОЖНО

Для предотвращения отбрасывания детали или подкладного материала во время сверления, **ОБЯЗАТЕЛЬНО** располагайте деталь у левой стороны стойки. Если деталь или подкладной материал недостаточно длинные, чтобы достичь стойки, зажмите их к столу, чтобы зафиксировать деталь. Недостаточная фиксация детали может привести к получению тяжелой травмы.

▲ ОСТОРОЖНО

Зажимной патрон сверлильного станка следует зажимать или прикручивать к столу во избежание получения травмы от вращающейся детали или повреждения зажимного патрона или сверла.

ОТМЕТКА МЕСТА СВЕРЛЕНИЯ

1. Пунсоном или острым гвоздем сделайте отметку на детали в месте, где вы будете сверлить отверстие.
2. Перед включением инструмента включите лазерную направляющую и установите линии лазера (x) на отметке.

УСТАНОВЛЕНИЕ НАКЛОНА СТОЛИКА

См. рис. 31.

ПРИМЕЧАНИЕ: В опоре столика имеется просверленное отверстие для установки блокирующего штыря для установки стола в положение 0° наклона.

1. Затяните гайку на штыре с помощью 10 мм или разводного ключа по часовой стрелке, чтобы вытащить штырь из опоры столика. Этот штырь затем понадобится, чтобы вернуть столик в начальное положение.
2. Раскрутите большой шестигранный болт, фиксирующий уклон столика, с помощью 17 мм или разводного ключа.

▲ ОСТОРОЖНО

Для предотвращения травмы удерживайте столик и плечо столика, чтобы он не вращался и не наклонялся.

3. Наклоните столик, выравнивая необходимый угол с нулевой линией напротив шкалы.
4. Затяните болт фиксации угла наклона столика
5. Чтобы вернуть столик в начальное положение, раскрутите болт фиксации угла наклона столика. Верните столик в положение 0°.
6. Вставьте гайку на фиксирующий штырь с внешней стороны резьбы. Легко постучите по фиксирующему штырю, пока он не войдет в соответствующее отверстие на кронштейне столика. Затяните гайку вручную.

⚠ ОСТОРОЖНО

Во избежание получения травмы от вращающейся детали или поломки инструмента, всегда зажимайте деталь и подкладной материал надежно к столу перед тем, как запустить станок.

ПОДАЧА

1. Потяните рукоятки подачи с силой, только достаточной для сверления.
2. При слишком медленной подаче сверло может гореть. При слишком быстрой подаче сверло или ремень могут соскочить, сверло может прорвать деталь или сломаться.
3. При сверлении металла необходимо смазать наконечник сверла маслом для предотвращения его и детали от возгорания.

ТЕХНИЧЕСКОЕ ОБСЛУЖИВАНИЕ

⚠ ОСТОРОЖНО

В целях вашей безопасности выключайте и отключайте от питания инструмент перед проведением технического обслуживания и смазывания.

Часто продувайте инструмент с помощью воздушного компрессора или пылесоса, чтобы удалить опилки и металлическую стружку, накапливающиеся внутри двигателя, корпуса роликов, на столике и рабочих поверхностях. Всегда носите защитные очки при работе с инструментом.

⚠ ОСТОРОЖНО

Во избежание удара электрическим током и возгорания немедленно заменяйте изношенный или порванный кабель питания, обратившись к квалифицированному электрику или техническому персоналу.

СМАЗКА

Все шарикоподшипники сверлильного станка упакованы со смазкой. Их не нужно смазывать дополнительно.

Периодически смазывайте ходовой винт и планку, подъемный механизм столика, шпиндель и зубцы планки. Каждые три месяца опускайте шпиндель и смазывайте рукав шпинделя.

ТРАНСПОРТИРОВКА И ХРАНЕНИЕ

См. рис. 32.

Перед транспортировкой изделия отключите его от сети питания и проверьте надежность крепления всех деталей. На рис. 32 указаны участки захватов при подъеме изделия.

Храните изделие в безопасном недоступном для детей месте.

Перед постановкой изделия на хранение очищайте его, используя щетку или пылесос.

СИМВОЛ



Сигнал опасности



Знак соответствия европейским стандартам



Знак соответствия стандартам Великобритании



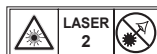
Знак соответствия Украины



Знак Соответствия Евразийского



Внимательно прочтите данные инструкции перед использованием продукта.



Лазерное излучение. Не смотрите на луч лазера. Лазерное изделие класса 2



Не оставляйте под дождем или во влажных местах.



Применяйте средства защиты органов слуха



Всегда надевайте защитные очки.



Наибольший диаметр сверла в патроне



Ход шпинделя



Сверление соосных отверстий



Диаметр сверла (дюймов)



Древесина



Алюминий
Цинк
Медь



Железо
Сталь

Утилизация электрического и электронного оборудования в месте с несортированными бытовыми отходами не допускается. Сбор электрического и электронного оборудования в целях утилизации должен осуществляться отдельно. Перед утилизацией необходимо извлечь из оборудования источники света. Уточните порядок утилизации и местонахождения пункта приема у местных властей или поставщика. Ритейлеры могут быть обязаны бесплатно принимать электрическое и электронное оборудование на утилизацию в соответствии с местными регламентами. Ваш вклад в повторную переработку электрического и электронного оборудования позволит сократить потребность в сырье. Электрическое и электронное оборудование содержит ценные и подлежащие повторной переработке материалы, которые в случае ненадлежащей утилизации способны вредить экологии и здоровью людей. Перед утилизацией удалите с оборудования все персональные данные.



ПОИСК И УСТРАНЕНИЕ НЕИСПРАВНОСТЕЙ

Неисправность	Возможная причина	Способ устранения
Повышенный шум.	<ol style="list-style-type: none"> 1. Неправильное натяжение ремня. 2. Шпиндель не смазан. 3. Ролик шпинделя раскручен. 4. Ролик двигателя раскручен. 	<ol style="list-style-type: none"> 1. Отрегулируйте натяжение. Смотрите раздел "Натяжение ремня". 2. Смажьте шпиндель. Смотрите раздел "Смазывание". 3. Проверьте, затянута ли затяжная гайка на ролике, и затяните ее при необходимости. 4. Затяните нажимной винт на ролике двигателя.
Горит сверло.	<ol style="list-style-type: none"> 1. Неправильная скорость. 2. Стружка не выходит через отверстие. 3. Сверло тупое. 4. Подача слишком медленная. 5. Не смазано. 	<ol style="list-style-type: none"> 1. Измените скорость. Смотрите раздел "Изменение скорости и замена ремня". 2. Часто вытягивайте сверло, чтобы очистить стружку. 3. Заточите сверло или замените его новым. 4. Осуществляйте подачу достаточно быстро - сверло должно работать. 5. Смажьте сверло. Смотрите раздел "Подача".
Выходное отверстие при сверлении не круглой формы.	<ol style="list-style-type: none"> 1. Жесткие частицы в древесине или длины и/или углы резки не равны. 2. Сверло изогнуто. 	<ol style="list-style-type: none"> 1. Правильно заточите сверло. 2. Замените сверло.
Древесина на нижней стороне детали откалывается.	<ol style="list-style-type: none"> 1. Под деталью нет подкладного материала. 	<ol style="list-style-type: none"> 1. Используйте подкладной материал. Смотрите раздел "Выполнение работы".
Деталь вывало из рук.	<ol style="list-style-type: none"> 1. Деталь неправильно поддерживается или не зажата соответствующим образом. 	<ol style="list-style-type: none"> 1. Поддерживайте деталь или зажмите ее. Смотрите раздел "Выполнение работы".
Сверло застревает в детали.	<ol style="list-style-type: none"> 1. Деталь зажимает сверло, или чрезмерное давление подачи. 2. Неправильное натяжение ремня. 	<ol style="list-style-type: none"> 1. Поддерживайте деталь или зажмите ее. Смотрите раздел "Выполнение работы". 2. Отрегулируйте натяжение. Смотрите раздел "Натяжение ремня".
Чрезмерный выход сверла или его шатание.	<ol style="list-style-type: none"> 1. Сверло изогнуто. 2. Подшипники изношены. 3. Сверло неправильно установлено в зажим. 4. Зажим установлен неправильно. 	<ol style="list-style-type: none"> 1. Используйте прямое сверло. 2. Замените подшипники. 3. Установите сверло правильно. Смотрите разделы "Выполнение работы" и "Монтаж и регулировка". 4. Установите зажим правильно. Смотрите раздел "Установка зажима".
Отвод в исходное положение слишком медленный или слишком быстрый.	<ol style="list-style-type: none"> 1. Натяжение пружины неправильное. 	<ol style="list-style-type: none"> 1. Отрегулируйте натяжение. Смотрите раздел "Пружина отвода в исходное положение".

<p>Зажим не держится на шпинделе. Он падает при попытке его установить.</p>	<p>1. Грязь и смазка на контактных внутренних поверхностях зажима или на контактных поверхностях шпинделя.</p>	<p>1. Протрите контактные поверхности зажима и шпинделя чистящим средством, не содержащим спирт, чтобы удалить грязь и смазку. Смотрите раздел "Установка зажима".</p>
---	--	--

Транспортировка:

Категорически не допускается падение и любые механические воздействия на упаковку при транспортировке.

При разгрузке/погрузке не допускается использование любого вида техники, работающей по принципу зажима упаковки.

Хранение:

Необходимо хранить в сухом месте.

Необходимо хранить вдали от источников повышенных температур и воздействия солнечных лучей.

При хранении необходимо избегать резкого перепада температур.

Хранение без упаковки не допускается.

Срок службы изделия:

Срок службы изделия составляет 5 лет.

Не рекомендуется к эксплуатации по истечении 5 лет хранения с даты изготовления без предварительной проверки.

Дата изготовления (код даты) отштампован на поверхности корпуса изделия.

Пример:

W17 Y2015, где Y2015 - год изготовления

W17 – неделя изготовления

Определить месяц изготовления можно согласно приведенной ниже таблице, на примере 2015 года.

Обратите внимание! Количество недель в месяце различается от года в год.

Месяц	Январь	Февраль	Март	Апрель	Май	Июнь	Июль	Август	Сентябрь	Октябрь	Ноябрь	Декабрь	Год
Неделя	01	05	09	14	18	22	27	31	36	40	44	49	2015
	02	06	10	15	19	23	28	32	37	41	45	50	
	03	07	11	16	20	24	29	33	38	42	46	51	
	04	08	12	17	21	25	30	34	39	43	47	52	
	05	09	13	18	22	26	31	35	40	44	48	53	
			14			27							

OPIS

1. Zespół głowicy
2. Stół
3. Podstawa
4. Zębatka
5. Zespół kolumny
6. Pierścień zębatki
7. Uchwyty posuwu
8. Przekładnia ślimakowa
9. Uchwyt blokady stołu
10. Korba ręczna stołu
11. Śruby z łbem sześciokątnym
12. Uchwyt wiertarski
13. Klucz do uchwytu
14. Klucz sześciokątny 4 mm
15. Klucz sześciokątny 3 mm
16. Śrubokręt płaski
17. Klucz nastawny
18. Klucz 12 mm
19. Młotek lub gumowy podbijak
20. Kątomierz nastawny kombinowany z linią stalową
21. Blok drewniany
22. Silnik
23. Głowica lasera
24. Tuleja ze sprężyną zwojową powrotną
25. Wspornik stołu
26. Pokrywa koła pasowego
27. Przełącznik Wł-Wył
28. Przełącznik lasera
29. Górna osłona zabezpieczająca
30. Otwór montażowy
31. Śruba blokująca głowicę
32. Pokrętko blokady naprężenia pasa
33. Uchwyt klucza do uchwytu
34. Koło pasowe wrzeciona
35. Koło pasowe silnika
36. Wspornik stołu
37. Otwór na korbę ręczną stołu
38. Wspornik kolumny
39. Śruba ustalająca
40. Głowica
41. Śruba ustalająca blokująca głowicę
42. Otwory gwintowane
43. Zespół piasty
44. Wrzeciono
45. Śruba x 2 (M12, nie dostarczana z produktem)
46. Podkładka zabezpieczająca x 4 (Dia. 12mm, nie dostarczana z produktem)
47. Podkładka gumowa x 2 (Dia. 12mm, nie dostarczana z produktem)
48. Podkładka płaska x 2 (Dia. 12mm, nie dostarczana z produktem)
49. Przeciwnakrętka x 2 (M12, nie dostarczana z produktem)
50. Nakrętka sześciokątna x 2 (M12, nie dostarczana z produktem)
51. Powierzchnia robocza
52. Podziałka nachylenia
53. Śruba blokady ukośnego ustawienia stołu
54. Nakrętka
55. Nakrętka blokująca
56. Wkręty
57. Nacięcie dolne przednie
58. Kolpak sprężyny
59. Zewnętrzna przeciwnakrętka
60. Nakrętka wewnętrzna
61. Żłobek
62. Występ
63. Szczęki uchwytu
64. Wiertło
65. Głębokość
66. Wskaźnik skali głębokości
67. Skala głębokości
68. Nakrętka górna
69. Nakrętka dolna
70. Ucho zderzaka ograniczającego głębokość obróbki
71. Przedmiot do obróbki

W trakcie projektowania wiertarki pionowej bezpieczeństwo, efektywność i niezawodność były czynnikami o najwyższym priorytecie.

PRZEZNACZENIE

Wiertarka pionowa jest przeznaczona do wiercenia otworów w drewnie, tworzywie sztucznym, aluminium i stali.

Produkt przeznaczony jest dla dorosłych operatorów, którzy zapoznali się z instrukcją obsługi oraz rozumieją źródła ryzyka i zagrożenia.

Podstawę produktu należy przymocować do mocnego blatu stołu. Jeżeli podstawa nie zostanie dobrze przymocowana, podczas wiercenia maszyna będzie się przewracała, przesuwiała lub przemieszczała na powierzchni nośnej, co zwiększa ryzyko poważnych obrażeń ciała.

Produktu należy używać w miejscu suchym, doskonale oświetlonym i wystarczająco wentylowanym.

Produkt jest przeznaczony do zastosowań konsumenckich i powinien być używany wyłącznie zgodnie z wyżej podaną instrukcją; produkt nie jest przeznaczony do żadnego innego celu.

OGÓLNE ZASADY BEZPIECZEŃSTWA DOTYCZĄCE URZĄDZEŃ ELEKTRYCZNYCH

⚠ OSTRZEŻENIE

Prosimy o uważne zapoznanie się z ostrzeżeniami, instrukcjami i specyfikacjami dostarczonymi z tym narzędziem oraz z zawartymi w nich ilustracjami. Nie przestrzeganie przedstawionych niżej zaleceń mogłoby pociągnąć za sobą wypadki takie jak pożary, porażenia prądem elektrycznym i / lub poważne obrażenia ciała.

Zachowaj wszystkie ostrzeżenia i instrukcje do wykorzystania w przyszłości. Określenie „elektronarzędzie” w ostrzeżeniach oznacza zasilane z sieci (przewodowe) elektronarzędzie lub zasilane akumulatorem (beprzewodowe) elektronarzędzie.

BEZPIECZEŃSTWO MIEJSCA PRACY

- **Miejsce pracy musi być utrzymywane w czystości i dobrze oświetlone.** „Zagracone” i słabo oświetlone miejsca pracy to częsta przyczyna wypadków.
- **Nie używać elektronarzędzi w atmosferze wybuchowej, np. w obecności łatwopalnych cieczy, gazów i pyłów.** Elektronarzędzia wytwarzają iskry, co może spowodować zapłon pyłu lub oparów.
- **Podczas używania narzędzi elektrycznych należy utrzymywać osoby postronne i dzieci z dala od miejsca pracy.** Utrata koncentracji może spowodować utratę kontroli nad urządzeniem.

BEZPIECZEŃSTWO ELEKTRYCZNE

- **Wtyczki zasilania elektronarzędzi muszą pasować do gniazd sieciowych. Nie wolno**

modyfikować wtyczek w żaden sposób. Nie wolno używać żadnych przejściówek do podłączenia elektronarzędzi posiadających przewód zasilania z uziemieniem. Stosowanie oryginalnych wtyczek i dopasowanych gniazd sieciowych zmniejsza ryzyko porażenia prądem.

- **Unikać kontaktu ciała z ziemią lub uziemioną powierzchnią (rury, instalacje grzewcze i chłodnicze).** Kontakt ciała z masą lub uziemieniem zwiększa ryzyko porażenia prądem.
- **Nie narażać elektronarzędzi na działanie deszczu lub wody.** Woda dostająca się do elektronarzędzia stwarza zagrożenie porażenia prądem.
- **Nie rozciągać nadmiernie przewodu. Nie wolno używać przewodu zasilania do przenoszenia, ciągnięcia urządzenia lub jego odłączania z gniazda sieciowego. Przewód zasilania należy trzymać z dala od oleju, ostrych krawędzi lub ruchomych części.** Uszkodzony lub zaplątany przewód elektryczny zwiększa ryzyko porażenia prądem.
- **W przypadku używania urządzenia na zewnątrz, ewentualne przedłużacze muszą być do tego przystosowane.** Zastosowanie przedłużacza przystosowanego do warunków zewnętrznych zmniejsza ryzyko porażenia prądem.
- **Jeśli nie można uniknąć użytkowania urządzenia elektrycznego w warunkach wilgotnych, należy je zasilać z obwodu zabezpieczonego wyłącznikiem różnicowo-prądowym (RCD).** Zastosowanie takiego wyłącznika pozwala zmniejszyć ryzyko porażenia prądem elektrycznym.

BEZPIECZEŃSTWO OSOBISTE

- **Należy obserwować miejsce pracy, skupić się na wykonywanych czynnościach i rozsądnie obchodzić się z narzędziem. Nie używać tego narzędzia w stanie zmęczenia, będąc pod wpływem narkotyków, alkoholu lub leków.** Chwila nieuwagi podczas obsługi elektronarzędzi może spowodować poważne obrażenia ciała.
- **Stosować środki ochrony osobistej. Zawsze nosić okulary ochronne.** Zastosowanie w odpowiednich warunkach sprzętu ochronnego, takiego jak maska przeciwpyłowa, bezpieczne buty antypoślizgowe, kask czy ochronniki słuchu, umożliwiają zapobieżenie obrażeniom.
- **Unikać możliwości przypadkowego uruchomienia urządzenia. Przed podłączeniem do źródła zasilania i/lub akumulatora bądź przystąpieniem do podnoszenia lub przenoszenia produktu upewnić się, że wyłącznik znajduje się w położeniu oznaczającym wyłączenie.** Przenoszenie produktów z napędem z palcem na przełączniku bądź podłączanie do zasilania produktów z przełącznikiem ustawionym w położeniu oznaczającym włączenie zwiększa prawdopodobieństwo wypadków.
- **Usunąć wszelkie narzędzia i klucze przed włączeniem zasilania.** Uruchomienie urządzenia z kluczem lub innym narzędziem założonym na

ruchomym elemencie grozi poważnym wypadkiem.

- **Nie sięgać zbyt daleko. Należy cały czas pewnie opierać stopy i utrzymywać równowagę.** Zapewni to lepsze panowanie nad urządzeniem w nieprzewidywanych sytuacjach.
- **Należy zakładać odpowiednią odzież ochronną. Nie zakładać luźnego ubioru ani biżuterii. Włosy i luźne fragmenty odzieży należy trzymać z dala od ruchomych części.** Luźna odzież, biżuteria lub długie włosy mogą zostać wciągnięte przez ruchome części.
- **Jeśli zapewniony został osprzęt do odprowadzania pyłu, należy upewnić się, że jest on podłączony i należyście stosowany.** Zastosowanie odprowadzenia pyłu może ograniczyć zagrożenia związane z pyłem.
- **Nie należy dopuszczać do tego, aby wcześniejsza znajomość obsługi podobnych narzędzi doprowadziła do ignorowania zasad bezpiecznego posługiwania się narzędziem.** Nieostrożne postępowanie może w ułamku sekundy doprowadzić do poważnych obrażeń.

UŻYTKOWANIE I KONSERWACJA URZĄDZEŃ ELEKTRYCZNYCH

- **Nie używać siły podczas obsługi narzędzia. Należy stosować odpowiedni produkt do danego zastosowania.** Odpowiedni produkt będzie najwydajniejszy i najbezpieczniejszy w obsłudze, jeśli będzie używany zgodnie z przeznaczeniem.
- **Nie wolno używać tego urządzenia, jeśli wyłącznik nie pracuje poprawnie.** Używanie urządzenia bez sprawnego wyłącznika jest zbyt niebezpieczne – należy oddać je do naprawy.
- **Przed przystąpieniem do regulacji lub wymiany akcesoriów bądź przed rozpoczęciem przechowywania należy odłączyć wtyczkę od źródła zasilania i/lub (o ile jest to możliwe) odłączyć akumulator od narzędzia z napędem.** Takie zapobiegawcze środki ostrożności ograniczają zagrożenie przypadkowym włączeniem produktu.
- **Nieużywane urządzenia należy przechowywać poza zasięgiem dzieci. Nie wolno zezwalać osobom nie obeznanym z obsługą urządzeń elektrycznych na ich używanie.** Urządzenia elektryczne mogą być niebezpieczne w rękach osób nie posiadających odpowiedniego przygotowania.
- **Narzędzia z napędem i akcesoria należy utrzymywać w dobrym stanie technicznym. Sprawdzić, czy ruchome części są dobrze dopasowane i zamocowane, czy nie są uszkodzone. Należy również uwzględnić inne okoliczności, które mogą mieć wpływ na pracę narzędzia. W razie uszkodzenia przed kolejnym uruchomieniem należy przeprowadzić czynności naprawy narzędzia.** Wiele wypadków jest spowodowanych przez nieprawidłowo serwisowane narzędzia.
- **Należy dbać o to, aby narzędzia tnące były zawsze ostre i czyste.** Należy je konserwować i naostrzone narzędzia tnące rzadziej się zakleszczają, a ponadto

zapewniają lepszą kontrolę.

- **Używać produktu, akcesoriów, narzędzi itp. zgodnie z niniejszymi zaleceniami, uwzględniając warunki pracy oraz charakter zadań do wykonania.** Używanie narzędzi w sposób niezgodny z ich przeznaczeniem jest niebezpieczne.
- **Należy dbać o to, aby uchwyty i powierzchnie chwytne były zawsze suche, czyste i niezatłuszczone.** Śliskie uchwyty i powierzchnie chwytne nie umożliwiają bezpiecznego manipulowania narzędziem i kontrolowania go w nieoczekiwanych sytuacjach.

SERWIS

- **Urządzenie elektryczne powinno być naprawiane przez wykwalifikowany personel, z zastosowaniem identycznych części zamiennych.** Dzięki temu zapewnione będzie bezpieczeństwo użytkownika urządzenia.

OSTRZEŻENIA DOTYCZĄCE BEZPIECZEŃSTWA UŻYTKOWANIA WIERTARKI PIONOWEJ

- **Wiertarka musi być bezpiecznie zamocowana.** Niewłaściwie zamocowana wiertarka może się przesunąć lub przewrócić, co może spowodować obrażenia ciała.
- **Przedmiot obrabiany musi być zamocowany do podstawy przedmiotu obrabianego (np. zaciskiem). Nie wiercić w elementach, których ze względu na zbyt małe rozmiary nie można bezpiecznie zamocować zaciskiem.** Trzymanie przedmiotu obrabianego dłońią podczas pracy może spowodować obrażenia ciała.
- **Nie nosić rękawic.** Rękawice mogą zaplątać się w obracające się części lub wióry, co może prowadzić do obrażeń ciała.
- **Podczas pracy narzędzia trzymać dłonie poza obszarem wiercenia.** Kontakt z obracającymi się częściami lub wiórami może spowodować obrażenia ciała.
- **Przed wprowadzeniem akcesorium w przedmiot obrabiany upewnić się, że się obraca.** W przeciwnym przypadku może dojść do zakleszczenia się akcesorium w przedmiocie obrabianym, co może spowodować nieoczekiwany ruch przedmiotu obrabianego i obrażenia ciała.
- **W przypadku zakleszczenia akcesorium należy przestać naciskać w dół i wyłączyć narzędzie. Przeprowadzić dochodzenie i podjąć działania naprawcze w celu wyeliminowania przyczyny zakleszczenia.** Zakleszczenie może spowodować nieoczekiwany ruch przedmiotu obrabianego i obrażenia ciała.
- **Unikać wytworzenia długich wiórów, regularnie przerywając wywieranie nacisku w dół.** Ostre metalowe wióry mogą powodować zaplątanie i obrażenia ciała.
- **Nigdy nie usuwać wiórów z obszaru wiercenia podczas pracy narzędzia. Aby usunąć wióry,**

należy odsunąć akcesorium od obrabianego przedmiotu, wyłączyć narzędzie i poczekać, aż akcesorium przestanie się poruszać. Do usuwania wiórów należy używać narzędzi takich jak szczotka lub hak. Kontakt z obracającymi się częściami lub wiórami może spowodować obrażenia ciała.

- **Prędkość znamionowa akcesoriów musi być co najmniej równa prędkości maksymalnej podanej na narzędziu z napędem.** Przystawki (akcesoria) funkcjonujące przy prędkości większej od ich prędkości znamionowej, mogą się połamać i zostać odrzucone.
- **Wiertła muszą być czyste i ostre.** Ostre wiertła minimalizują prawdopodobieństwo zablokowania. Zabrudzone i tępe wiertła mogą być przyczyną nieprostoliniowości materiału i obrażeń ciała operatora.
- **Nie zbliżać rąk do obszaru roboczego.** Nie zbliżać rąk do wiertła. Ograniczyć noszenie luźnej odzieży, biżuterii, rozpuszczonych włosów itp. Mogą zaplątać się w wiertło.
- **Zawsze zaciskać obrabiany element lub mocować do kolumny, aby zapobiec jego rotacji.** Podczas wiercenia nigdy nie przytrzymywać obrabianego elementu ręką.
- **Stosować zalecane prędkości dla wiertła i materiału obrabianych elementów.**
- **Upewnić się, czy wiertło lub nóż jest dobrze zamocowany w uchwycie.**
- **Przed podłączeniem do źródła zasilania lub włączeniem zasilania upewnić się, czy klucz do uchwytu został z niego usunięty.**
- **Wyregulować położenie stołu lub zderzaka ograniczającego głębokość obróbki, aby uniknąć wiercenia w stole.** Przed odejściem od maszyny odciąć zasilanie, usunąć wiertło i wyczyścić stół.
- **Unikać bezpośredniego kierowania wzroku na prowadnicę laserową.**
- **Zawsze upewnić się, czy wiązka laserowa jest skierowana na powierzchnię nieodbijającą.** Polyskliwe odbijające materiały nie mogą być używane z laserem.
- **Nigdy nie kłaść palców w miejscu, gdzie mogą zetknąć się z wiertłem lub innym nożem, gdyby obrabiany element nieoczekiwanie się przemieścił.**
- **Nigdy nie wykonywać żadnej operacji, przemieszczając głowicę lub stół względem siebie.** Nie włączając przełącznika silnika ani nie rozpoczynając żadnej operacji przed sprawdzeniem, czy głowica i uchwyt blokady wspornika stołu są mocno zaciśnięte na kolumnie oraz czy pierścienie wsporcze głowicy i stołu są odpowiednio ustawione.
- **Przed włączeniem przełącznika zasilania upewnić się, czy osłona pasa napędowego jest opuszczona, a uchwyt prawidłowo zamocowany.**
- **Odchodząc od produktu zabezpieczyć przełącznik**

produktu przed włączeniem. Nie wykonywać czynności związanych z planowaniem rozmieszczenia otworów, montażem lub przygotowaniem do pracy, kiedy narzędzie obraca się, jest włączone lub podłączone do źródła zasilania.

- **Uszkodzony przewód sieciowy powinien zostać wymieniony przez autoryzowany punkt serwisowy, samodzielna wymiana zagraża bezpieczeństwu użytkownika.**
- **Nie używane narzędzia należy odpowiednio przechowywać.** Nieużywane narzędzia należy przechowywać w suchym, zamkniętym miejscu, niedostępnym dla dzieci.
- **Zaleca się, aby narzędzie było zawsze zasilane za pośrednictwem wyłącznika różnicowoprądowego o znamionowym prądzie resztkowym 30 mA lub mniejszym.**
- **Zachować ten podręcznik.** Należy do niego systematycznie powracać i używać go do przeszkolenia innych osób. Wypożyczając komuś narzędzie, należy dołączyć również ten podręcznik.

BEZPIECZEŃSTWO DOTYCZĄCE LASERA

- W tym produkcie zastosowano promieniowanie laserowe klasy 2 o maksymalnej mocy 1 mW przy długości fali 650 nm. Nie wolno patrzeć bezpośrednio w wiązkę lasera. Nieprzestrzeganie zasad może spowodować poważne obrażenia ciała.
- Nie patrzeć bezpośrednio w wiązkę lasera podczas pracy.
- Nie kierować lasera w stronę oczu osób postronnych. Groziłoby to poważnym uszkodzeniem wzroku.
- Nie umieszczają lasera w sposób pozwalający na świadome lub nieświadome skierowanie wzroku bezpośrednio na promień lasera.
- Nie używać przyrządów optycznych w celu podglądu wiązki lasera.
- Nie używać lasera w pobliżu dzieci ani nie zezwalać dzieciom na jego używanie.
- Nie wolno próbować samodzielnie naprawiać lasera.
- Nie próbować samodzielnie zmieniać żadnych części urządzenia laserowego.
- Naprawy należy powierzyć wyspecjalizowanemu serwisowi lub producentowi lasera.
- Nie wymieniać lasera na laser innego typu.

RYZIKO ZWIĄZANE Z UŻYTKOWANIEM

Nawet jeśli produkt jest używany zgodnie z zaleceniami, nadal nie jest możliwe wyeliminowanie określonych czynników ryzyka. Operator powinien zwracać szczególną i dodatkową uwagę na te punkty w celu ograniczenia ryzyka poważnych obrażeń ciała.

- **Urazy słuchu** – Należy stosować odpowiednie środki ochrony uszu oraz ograniczyć poziom narażenia.
- **Urazy wzroku** – Należy nosić osłony oczu lub okulary ochronne podczas korzystania z produktu.
- **Urazy ciała spowodowane przez wibracje** - Ograniczyć

narażenie i stosować się do podanych w niniejszej instrukcji zaleceń dotyczących ograniczania ryzyka.

- Urazy dróg oddechowych spowodowane pyłem wytwarzanym podczas obsługi produktu – Należy stosować odpowiednie środki ochronne w zależności od typu pyłu.

⚠ OSTRZEŻENIE

Niektóre pyły wydzielające się przy wykonywaniu wygładzania, cięcia, szlifowania, wiercenia i innych prac budowlanych zawierają produkty chemiczne, które mogą być rakotwórcze i powodować wrodzone zniekształcenia czy też problemy płodności. Oto kilka przykładów takich produktów chemicznych:

- ołów w farbach na bazie ołowiu,
- krzemionka krystaliczna, którą można znaleźć w niektórych cementach, ceglach i innych wyrobach murarskich oraz,
- arsenik i chrom, które można znaleźć w niektórych drewnach po obróbce chemicznej.

Ryzyko związane z tymi produktami zmienia się w zależności od częstości wykonywania tego typu prac. Aby zmniejszyć wasze wyeksponowanie na takowe substancje chemiczne, pracujcie w dobrze przewietrzonym otoczeniu, używając autoryzowanego wyposażenia BHP, typu maski przeciwpyłowe specjalnie zaprojektowane do filtrowania mikroskopijnych cząstek.

ZASADY BEZPIECZEŃSTWA DOTYCZĄCE PRĄDU

Przedłużacze powinny być wyposażone w przewód trójżyłowy z wtyczką i gniazdem z uziemieniem, gniazdo musi pasować do wtyczki urządzenia. W przypadku używania tego urządzenia w znacznej odległości od gniazda sieciowego, należy zastosować przedłużacz o obciążalności dostosowanej do prądu pobieranego przez urządzenie. Zbyt mały przekrój przewodu zasilania spowoduje spadek napięcia, utratę mocy i przegrzewanie się silnika.

Przed użyciem przedłużacza sprawdzić, czy nie ma w nim poluzowanych lub odsłoniętych przewodów oraz czy izolacja nie uległa zużyciu lub nie została przecięta.

⚠ OSTRZEŻENIE

Przedłużacz należy odsunąć od miejsca pracy. Przewód należy poprowadzić tak, aby nie zaplątał się w żadne przedmioty lub narzędzia podczas pracy. Niezastosowanie się do tego wymogu może być przyczyną ciężkich obrażeń ciała.

⚠ OSTRZEŻENIE

Przed każdym użyciem należy skontrolować stan techniczny przedłużacza. Uszkodzone należy niezwłocznie wymienić. Nie wolno używać urządzenia z uszkodzonym przewodem zasilania, dotknięcie uszkodzonego miejsca grozi porażeniem prądem i poważnymi obrażeniami.

ZASILANIE PRĄDEM ELEKTRYCZNYM

Urządzenie jest wyposażone w precyzyjny silnik elektryczny. Urządzenie powinno być zasilane prądem przemiennym (AC) o napięciu 220~240 V, 50 Hz (typowe parametry domowych instalacji elektrycznych). Nie wolno podłączać urządzenia do źródła prądu stałego (DC). Znaczny spadek napięcia spowoduje utratę mocy i przegrzewanie się silnika. Jeśli urządzenie nie działa po podłączeniu do gniazda zasilania, należy ponownie sprawdzić parametry źródła zasilania.

PRĘDKOŚĆ I PRZEWODY ZASILANIA

Prędkość nie jest stała i spada pod obciążeniem lub w przypadku spadku napięcia. Napięcie w instalacji elektrycznej warsztatu jest równie ważne jak moc silnika urządzenia. Linia przeznaczona wyłącznie do zasilania oświetlenia może być nieodpowiednia do zasilania silnika elektronarzędzia. Przewód o obciążalności wystarczającej na krótszym odcinku, może okazać się zbyt słaby w przypadku większej odległości. Linia o obciążalności wystarczającej dla jednego elektronarzędzia może nie mieć obciążalności wystarczającej dla dwóch lub trzech narzędzi.

SPOSÓB UZIEMIENIA

W przypadku usterki lub uszkodzenia urządzenia, uziemienie zapewni ścieżkę o najmniejszej rezystancji odprowadzającą prąd rzeźbica do ziemi, zmniejszając ryzyko porażenia prądem. Urządzenie jest wyposażone w przewód trójżyłowy z wtyczką z uziemieniem. Wtyczka musi być podłączona do odpowiedniego gniazda sieciowego, które zostało poprawnie zamontowane i uziemione zgodnie ze wszystkimi obowiązującymi przepisami lokalnymi.

Nie wolno modyfikować konstrukcji wtyczki. Jeśli wtyczka nie pasuje do gniazda, należy wezwać elektryka w celu założenia właściwego gniazda. Nieprawidłowe podłączenie przewodu uziomowego urządzenia może spowodować ryzyko porażenia prądem. Przewód uziomowy urządzenia to przewód z izolacją w kolorze zielonym lub zielonym z żółtymi paskami. Jeżeli wymagana jest naprawa lub wymiana przewodu elektrycznego lub wtyczki, nie podłączać przewodu uziomowego do zacisku pod napięciem.

W przypadku uszkodzenia przewodu zasilania, należy go niezwłocznie wymienić.

ZALECANE AKCESORIA

⚠ OSTRZEŻENIE

Używać tylko akcesoriów zalecanych do używania z tym produktem.

Postępować według instrukcji dołączonych do akcesoriów. Użycie nieprawidłowych akcesoriów może stanowić ryzyko.

- Wiertło
- Zaciski dociskające
- Imadła wiertarki pionowej

⚠ OSTRZEŻENIE

Używać tylko akcesoriów przeznaczonych do tego produktu, aby uniknąć obrażeń ciała spowodowanych przez odskakujące oderwane części lub obrabiane elementy.

Nie używać akcesorium bez przeczytania całej instrukcji lub podręcznika operatora tego akcesorium.

ZAWARTOŚĆ OPAKOWANIA

ROZPAKOWYWANIE I SPRAWDZANIE ZAWARTOŚCI OPAKOWANIA

⚠ OSTRZEŻENIE

Jeżeli którekolwiek części są uszkodzone lub ich brakuje, nie podłączać produktu do zasilania do czasu ich wymiany lub uzupełnienia.

Ostrożnie rozpakować produkt i wszystkie części. Porównać z przedstawionym poniżej wykazem.

Aby chronić produkt przed wilgocią, na jego powierzchnie obrobione nałożono powłoki ochronne. Należy je usunąć za pomocą miękkiej szmatki zwilżonej naftą lub WD-40.

⚠ OSTRZEŻENIE

Aby uniknąć pożaru lub reakcji toksycznej, do czyszczenia produktu nie należy nigdy używać benzyny, ciężkiej benzyny, acetonu, rozcieńczalnika lakieru lub podobnych bardzo lotnych rozpuszczalników.

Nałożyć warstwę pasty woskowej na stół, kolumnę i powierzchnie obrobione podstawy, aby zapobiec korozji. Wytrzeć dokładnie wszystkie części czystą, suchą szmatką.

Pozycja	Opis	Ilość
1	Zespół głowicy	1
2	Stół	1

3	Podstawa	1
4	Zębatka	1
5	Zespół kolumny	1
6	Pierścień zębatki	1
7	Uchwyty posuwu	3
8	Przekładnia ślimakowa	1
9	Uchwyt blokady stołu	1
10	Korba ręczna stołu	1
11	Śruby z łbem sześciokątnym	3
12	Uchwyt wiertarski	1
13	Klucz do uchwytu	1
14	Klucz sześciokątny 4 mm	1
15	Klucz sześciokątny 3 mm	1

MONTAŻ I REGULACJA

⚠ OSTRZEŻENIE

Dla własnego bezpieczeństwa nie należy nigdy umieszczać wtyczki w gnieździe zasilania, zanim nie zostaną zakończone wszystkie czynności montażowe oraz przeczytane ze zrozumieniem wszystkie instrukcje dotyczące obsługi i bezpieczeństwa.

⚠ OSTRZEŻENIE

Produkt jest ciężkim narzędziem z napędem mechanicznym. Dla bezpieczeństwa montażu powinny je podnosić dwie lub więcej osób.

MONTAŻ KOLUMNY NA PODSTAWIE

Zobacz rysunek 5.

1. Umieścić podstawę na płaskiej, stabilnej powierzchni.
2. Dopasować otwory śrubowe w kolumnie i otwory śrubowe na podstawie.
3. W każdym otworze umieścić śrubę z łbem sześciokątnym.
4. Dokręcić śruby kluczem nastawnym.

MONTAŻ STOŁU NA ZESPOLE KOLUMNY

Patrz: rysunki 6–10.

1. Włożyć uchwyt blokady wspornika stołu w otwór gwintowany w tylnej części wspornika stołu.
UWAGA: Zainstalować uchwyt od strony lewej do prawej, wkładając do najpierw po niegwintowanej stronie wspornika stołu.
2. Przez otwór korby stołu we wsporniku stołu przełożyć przekładnię ślimakową. Upewnić się, czy przekładnia ślimakowa zażębia się z wewnętrznym kołem zębatym.
UWAGA: Nie usuwać smaru z przekładni ślimakowej.

- Przełożyć zębatkę przez szczelinę we wsporniku stołu tak, by zęby skierowane były na zewnątrz, a dłuższa gładka końcówka — ku górze. Przekładnia ślimakowa powinna zająć się z zębatką.
- Obiema rękoma wsunąć cały stół i zębatkę na kolumnę tak, by dolna część zębatki znalazła się w pierścieniu podstawy, opierając się na kolumnie.
- Dokręcić uchwyt blokady wspornika stołu, aby zablokować stół na kolumnie.
UWAGA: Nie dokręcać zbyt mocno.
- Nasunąć na kolumnę pierścień zębatki ukośną stroną w dół do momentu zająć się ukośnej strony z końcówką zębatki.
- Dokręcić śrubę ustalającą pierścienia za pomocą klucza sześciokątnego. Aby uniknąć uszkodzenia kolumny lub pierścienia, nie dokręcać zbyt mocno śruby ustalającej.
UWAGA: Powinno być możliwe przesunięcie stołu z jednej strony na drugą.
- Zamontować korbę ręczną stołu na końcu przekładni ślimakowej tak, by płaska strona wału była ustawiona w linii ze śrubą ustalającą.
- Dokręcić śrubę ustalającą za pomocą klucza sześciokątnego.

MONTAŻ GŁOWICY

Zobacz rysunek 11.

⚠ OSTRZEŻENIE

Głowica wiertarki pionowej jest ciężka. W celu bezpiecznego zamontowania jej na kolumnie powinny ją podnosić dwie osoby.

- Umieścić głowicę na kolumnie tak, by uchwyt znajdował się ponad stołem.
UWAGA: Produkt jest ciężki. W razie potrzeby zapewnić sobie pomoc.
- Nasunąć głowicę możliwie najdalej. Ustawić w linii zespół stołu i podstawę, a następnie dokręcić dwie śruby ustalające głowicę kluczem sześciokątnym.

MONTAŻ UCHWYTÓW POSUWU

Zobacz rysunek 12.

- Przymocować trzy uchwyty posuwu, przykręcając je w otworach gwintowanych zespołu piasty.

MONTAŻ UCHWYTU

Patrz: rysunki 13-15.

⚠ OSTRZEŻENIE

Przed montażem uchwytu na głowicy wiertarki pionowej, wyczyścić wszystkie powierzchnie stykowe produktem nieropopochodnym. Należy usunąć olej lub smar użyty do pakowania tych elementów. W przeciwnym razie uchwyt może ulec poluzowaniu podczas pracy.

- Wyczyścić stożkowy otwór uchwytu czystą szmatką i

- niealkoholowym środkiem czyszczącym. Wytrzeć do czysta wszelkie pozostałości oleju i zabrudzenia.
- Stożkowe powierzchnie wrzeczona należy wyczyścić w ten sam sposób.
UWAGA: Upewnić się, że do powierzchni nie przywarły żadne obce substancje. Najmniejsza cząstka brudu lub oleju na którejkolwiek z tych powierzchni nie pozwoli prawidłowo osadzić uchwytu. Spowoduje to bicie osiowe uchwytu i wiertła.
- Umieścić uchwyt w wrzeczonie. Aby zapobiec uszkodzeniu szczęk, uchwyt powinien być całkowicie otwarty.
- Odblokować blokadę wspornika stołu i odsunąć stół od dolnej części uchwytu.
- Należycy uchwyt na wrzeczono, popychając go do końca w górę.
- Używając kawałka drewna do zabezpieczenia uchwytu, mocno wbić uchwyt na miejsce miękkim podbijakiem lub młotkiem.

⚠ UWAGA

Ryzyko uszkodzenia mienia. Aby uniknąć uszkodzenia uchwytu, nie należy nigdy wbić go na wrzeczono metalowym młotkiem.

DEMONTAŻ UCHWYTU

- Obrócić uchwytami posuwu w celu obniżenia uchwytu do jak najniższego położenia.
 - Umieścić separator z przegubem kulowym (niepokazany na rysunku) nad uchwytem i lekko uderzyć go młotkiem lub gumowym podbijakiem, aby uchwyt spadł z wrzeczona.
UWAGA: Nigdy nie uderzać uchwytu bezpośrednio młotkiem lub gumowym podbijakiem.
- UWAGA:** Aby uniknąć potencjalnego uszkodzenia uchwytu, należy najpierw całkowicie rozewrzeć szczęki i być przygotowanym na złapanie spadającego uchwytu.

MONTAŻ WIERTARKI PIONOWEJ NA POWIERZCHNI ROBOCZEJ

Zobacz rysunek 16.

Jeżeli produkt ma być używany w stałym miejscu, należy go przymocować do stołu warsztatowego lub innej stabilnej powierzchni.

Jeżeli produkt ma być narzędziem przenośnym, należy go trwale przymocować do płyty montażowej, którą można łatwo przymocować zaciskami do stołu warsztatowego lub innej stabilnej powierzchni. Płyta montażowa powinna być wielkości pozwalającej uniknąć przewrócenia produktu podczas pracy. Zaleca się stosowanie dobrej jakości sklejk lub płyty wiórowej o grubości 19 mm (3/4").

- Zaznaczyć otwory na powierzchni, na której wiertarka pionowa ma być przymocowana, używając podstawy wiertarki pionowej jako szablonu do wykonania otworów w płycie.
- Wywiercić otwory w powierzchni montażowej.
- Umieścić wiertarkę pionową na powierzchni montażowej, ustawiając otwory w podstawie piły

równy z otworami wywierconymi w powierzchni montażu.

- Włożyć śruby (nie dostarczane z produktem) i mocno dokręcić po nałożeniu podkładek zabezpieczających i nakrętek sześciokątnych (nie dostarczane z produktem).

Jeżeli używane są śruby do drewna, należy upewnić się, czy są wystarczająco długie, by przeszły przez otwory w podstawie wiertarki pionowej i materiał, do którego jest przymocowywana. Jeżeli używane są śruby maszynowe, należy upewnić się, czy są wystarczająco długie, by przeszły przez otwory w podstawie wiertarki pionowej, materiał, do którego jest przymocowywana, oraz podkładki zabezpieczające i nakrętki sześciokątne.

UWAGA: Wszystkie śruby należy wkładać od góry. Zainstalować podkładki zabezpieczające i nakrętki sześciokątne od spodu stołu.

Kiedy produkt zostanie zamontowany mocnej powierzchni:

- Sprawdzić go pod kątem wibracji przy włączonym silniku.
- Wyregulować i, w razie potrzeby dokręcić elementy mocujące.
- Sprawdzić, czy zespół stołu można swobodnie przesunąć w górę i w dół kolumny.
- Sprawdzić, czy wał wrzeczona gładko się obraca.

PRZECHOWYWANIE KLUCZA DO UCHWYTU

Zobacz rysunek 17.

Uchwyt klucza do uchwytu znajduje się po prawej stronie produktu.

WIERCENIE UKOŚNE

Zobacz rysunek 18.

UWAGA: Do przybliżonego pomiaru kąta ukosu służy dołączona do produktu skala ukosu. Jeżeli konieczne jest precyzyjne ustawienie stołu, należy użyć kątownika lub innego narzędzia pomiarowego. Korzystanie ze skali ukosu:

- Dokręcić nakrętkę na kołku zabezpieczającym za pomocą klucza 10 mm lub nastawnego, obracając ją zgodnie z kierunkiem ruchu wskazówek zegara i zwalniając ze wspornika stołu. Kołek ten będzie potrzebny do ponownego ustawienia stołu pod kątem 0° względem wspornika. Nie wyrzucać.
- Poluzować dużą śrubę blokady skosu stołu z łbem sześciokątnym za pomocą klucza 17 mm lub nastawnego.
- Przechylić stół, ustawiając w linii oznaczenie odpowiedniego kąta i linię zerową umieszczoną naprzeciw skali.
- Dokręcić śrubę blokady ukośnego ustawienia stołu.
- Aby przywrócić stół do pozycji wyjściowej, poluzować śrubę blokady ukośnego ustawienia stołu. Ustawić stół z powrotem pod kątem 0°.
- Ponownie nałożyć nakrętkę na kołek zabezpieczający. Delikatnie uderzać kołek zabezpieczający gumowym podbijakiem do momentu osadzenia w otworze wspornika stołu. Dokręcić nakrętkę ręcznie.

UWAGA: Dla lepszej widoczności z rysunku usunięto stół.

⚠ OSTRZEŻENIE

Aby uniknąć obrażeń ciała, zawsze odłączaj produkt od źródła zasilania na czas wykonywania jakichkolwiek regulacji.

WRZECIONO/TULEJA

Zobacz rysunek 20.

Obrócić uchwytami posuwu przeciwnie do kierunku ruchu wskazówek zegara, obniżając wrzeczono do jak najniższego położenia. Chwycić uchwyt i poruszać nim w przód i w tył. Jeżeli występuje nadmierny luz, wykonać następujące regulacje:

- Poluzować kluczem 10 mm nakrętkę blokującą znajdującą się po prawej stronie produktu.
- Obrócić śrubę płaskim śrubokrętem zgodnie z kierunkiem ruchu wskazówek zegara, aby wyeliminować luz, ale nie uniemożliwić ruchu wrzeczono w górę. (Niewielki luz wrzeczono jest zjawiskiem normalnym).
- Dokręcić nakrętkę blokującą.

SPRĘŻYNA POWROTNA TULEI

Zobacz rysunek 21.

Sprężyna powrotna tulei może wymagać regulacji, jeżeli prędkość powrotu tulei jest zbyt mała lub zbyt duża. Sprężyna znajduje się po lewej stronie głowicy wiertarki.

- Obniżyć stół, aby uzyskać dodatkową przestrzeń.
- Umieścić śrubokręt w dolnym przednim nacięciu kołpaka sprężyny. Przytrzymać, poluzowując i zdejmując tylko zewnętrzną przeciwnakrętkę za pomocą klucza 10 mm.
- Trzymając nadal śrubokręt w nacięciu, poluzować wewnętrzną nakrętkę na tyle, by nacięcie wypięło się z występu na głowicy wiertarki pionowej.

UWAGA: Nie demontować wewnętrznej nakrętki, ponieważ spowoduje to gwałtowne odwinięcie sprężyny.

- Ostrożnie obrócić śrubokrętem kołpak sprężyny przeciwnie do kierunku obrotu wskazówek zegara, powodując zażębnienie kolejnego nacięcia.
- Opuścić tuleję do najniższego położenia, obracając uchwytami posuwu przeciwnie do kierunku ruchu wskazówek zegara i jednocześnie przytrzymując kołpak sprężyny w miejscu.
- Jeżeli tuleja przemieszcza się w górę i w dół w pożądanym sposób, dokręcić wewnętrzną nakrętkę do kołpaka sprężyny i kołpak sprężyny kluczem. Jeżeli tuleja jest zbyt luźna, powtórzyć czynności opisane w punktach od 3 do 5. Jeżeli tuleja jest zbyt mocno zamocowana, wykonać odwrotnie czynności opisane w punktach 4 i 5.
- Dokręcić kluczem zewnętrzną nakrętkę do wewnętrznej.

UWAGA: Nie dokręcać zbyt mocno, ograniczając ruch tulei.

NAPRĘŻENIE PASA

Zobacz rysunek 22.

1. Otworzyć pokrywę koła pasowego.
2. Aby odblokować naprężenie pasa, obrócić przeciwnie do kierunku ruchu wskazówek zegara pokrętkiem blokady naprężenia pasa po prawej stronie głowicy wiertarki pionowej.
3. Pociągnąć silnik w stronę czoła produktu, aby poluzować naprężenie pasa.
4. Ustawić pas klinowy na uskoku koła pasowego odpowiadającym pożądanej prędkości.
5. Odepchnąć silnik od głowicy wiertarki pionowej do momentu uzyskania prawidłowego naprężenia pasa.
UWAGA: Naprężenie pasa jest prawidłowe, jeżeli naciśnięty na środku pas ugina się na około 13 mm (1/2").
6. Dokręcić pokrętko blokady naprężenia pasa, aby zamocować silnik w położeniu docelowym. Zamknąć pokrywę koła pasowego.

SPRAWDZANIE/REGULACJA WYRÓWNANIA LASERA

Produkt jest wyposażony w urządzenie Laser Trac®.

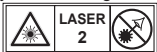
Wiązki laserowe umożliwiają podgląd drogi wiertła na obrabianym elemencie przed rozpoczęciem wiercenia.

⚠ OSTRZEŻENIE

Unikać bezpośredniego kontaktu z oczami

Światło lasera jest emitowane, kiedy włączony jest przewodnik laserowy. Unikać bezpośredniego kontaktu z oczami. Przed rozpoczęciem regulacji zawsze odłączyć produkt od źródła zasilania.

- Wskaźnik laserowy nie jest zabawką i powinien być chroniony przed dostępem dzieci. Nieprawidłowe użycie tego urządzenia może prowadzić do nieodwracalnego uszkodzenia oczu.
- Zabronione jest wprowadzanie jakichkolwiek modyfikacji prowadzących do zwiększenia mocy lasera.
- Używając wskaźnika laserowego, nie należy kierować wiązki laserowej w stronę ludzi i/lub powierzchni odbijających. Wiązka laserowa o nawet niewielkiej mocy może spowodować uszkodzenie oczu. Nie wolno patrzeć bezpośrednio w wiązkę lasera.
- Wskaźnik laserowy nie zawiera żadnych elementów wymagających serwisowania. Nie należy nigdy otwierać obudowy w celu naprawy lub regulacji.
- Etykieta ostrzegawcza lasera:



- Nie usuwać ani nie niszczyć etykiet ostrzegawczych. Usunięcie etykiet zwiększa ryzyko narażenia na promieniowanie.
- UWAGA: Użycie elementów regulacyjnych, nastaw lub procedur innych niż te, które opisano w niniejszym podręczniku, może spowodować narażenie się na

oddziaływanie szkodliwego promieniowania.

- Nie próbować samodzielnie rozmontowywać ani naprawiać lasera. Próba naprawy tego urządzenia laserowego przez osoby niewykwalifikowane może prowadzić do poważnych urazów. Wszelkie naprawy tego urządzenia laserowego powinny być wykonywane przez personel autoryzowanego punktu serwisowego.
- UWAGA: Użycie wraz z tym produktem przyrządów optycznych zwiększa ryzyko uszkodzenia oczu.

⚠ OSTRZEŻENIE

Nie używać barwionego szkła do wzmocnienia światła lasera. Barwione szkło zmniejszy ogólną widoczność i zakłóci normalną pracę tego narzędzia.

⚠ OSTRZEŻENIE

Promieniowanie lasera. Nigdy nie kierować wiązki na obrabiany element z powierzchnią odbijającą. Nie zaleca się używania lasera z odbijającą blachą stalową o wysokim połysku lub podobną powierzchnią odbijającą. Wiązka może odbić się od odbłaskowej powierzchni i trafić w operatora lub inne osoby.

REGULACJA LINII LASERA

Zobacz rysunek 23.

Sprawdzić wyrównanie lasera, aby upewnić się, czy linie lasera przecinają się dokładnie w miejscu, gdzie wiertło styka się z obrabianym elementem. Jeżeli tak nie jest, należy ustawić te linie za pomocą pokręteł regulacji lasera znajdujących się po przeciwnych stronach zespołu głowicy.

1. Na niepotrzebnym kawałku drewna postawić znak „X”.
2. Umieścić w uchwycie małe wiertło i ustawić je w miejscu przecięcia linii znaku „X”.
3. Przymocować drewniany element do stołu.
4. Włączyć przewodnik laserowy i sprawdzić, czy linie lasera przecinają się na znaku „X”.
5. Jeżeli tak nie jest, poluzować kluczem sześciokątnym śruby ustalające na obudowach lasera i kręcić pokrętkami regulacji lasera do momentu, gdy linie zetkną się z miejscem przecięcia linii znaku „X”. Ponownie dokręcić śruby ustalające.

OBSŁUGA

⚠ OSTRZEŻENIE

Nie wolno dopuścić do tego, aby fakt zapoznania się z tym urządzeniem zmniejszył ostrożność operatora. Należy pamiętać o tym, że nieostrożność trwająca ułamek sekundy może być powodem bardzo poważnych obrażeń.

⚠ OSTRZEŻENIE

Podczas użytkowania narzędzi należy koniecznie zakładać gogle lub okulary ochronne. W przeciwnym wypadku może dojść do uszkodzenia wzroku przez uderzenie obcym przedmiotem.

⚠ OSTRZEŻENIE

Używajcie jedynie części i akcesoriów zalecanych przez producenta tego narzędzia. Stosowanie jakichkolwiek przystawek lub akcesoriów nie zalecanych przez producenta grozi poważnym zranieniem!

⚠ OSTRZEŻENIE

Aby uniknąć ewentualnych obrażeń ciała, kiedy narzędzie pracuje, nie otwieraj osłony.

ZMIANA PRĘDKOŚCI I WYMIANA PASA KLINOWEGO

Zobacz rysunek 24.

Prędkość wrzeciona determinuje lokalizacja pasa klinowego na kołach pasowych wewnątrz zespołu głowicy. Tabela prędkości umieszczona na wewnętrznej stronie pokrywy zespołu głowicy pokazuje zalecane prędkości i konfigurację kół pasowych do każdej operacji wiercenia.

Aby zmienić konfigurację kół pasowych:

1. Podnieść pokrywę koła pasowego.
2. Poluzować śrubę naprężenia pasa.
3. Zdjąć pas klinowy.
4. Ponownie założyć pas klinowy zgodnie z tabelą prędkości.
5. Dokręcić śrubę naprężenia pasa.

UWAGA: Zalecenia dotyczące wielkości wiertła i prędkości wiercenia znaleźć można w rozdziale „Zalecana prędkość wiercenia”.

ZALECANA PRĘDKOŚĆ WIERCENIA

TABELA PRĘDKOŚCI WIERCENIA (OBR/MIN)			
Średnica wiertła (cale)	Materiał		
	Drewno Tworzywa sztuczne	Aluminium Cynk Mosiądz	Żelazo Stal
1/16	2430	2430	2430
1/8			1800
3/16			1300
1/4			800
5/16			800
3/8	1300	800	
1/2	1800	800	510

Przełącznik Wł-Wył

Zobacz rysunek 25.

Aby włączyć urządzenie:

1. Nacisnąć przycisk WŁ (I).

Aby wyłączyć urządzenie:

1. Nacisnąć przycisk WYŁ (O).

⚠ OSTRZEŻENIE

Przed przełączeniem włącznika zawsze upewnij się, czy obrabiany element nie styka się z wiertłem. W przeciwnym wypadku może dojść do odrzutu maszyny w kierunku operatora i w efekcie do poważnych obrażeń.

INSTALOWANIE I DEMONTAŻ WIERTEL

Zobacz rysunek 26.

1. Wyjąć wtyczkę zasilania.
2. Otworzyć lub przymknąć otwór w szczękach uchwytu do momentu, gdy otwór ten jest nieco większy od rozmiaru wiertła, które ma zostać użyte.
3. Umieścić wiertło w uchwycie na całą głębokość szczęk.

⚠ OSTRZEŻENIE

Nie umieszczaj wiertła w szczękach uchwytu i dokręcaj w sposób pokazany na rysunku 19. Może to spowodować wyrzucenie wiertła z produktu skutkujące obrażeniami ciała lub uszkodzeniem uchwytu.

4. Dobrze zamocować w uchwycie, używając dostarczonego klucza do uchwytu. Nie używać klucza do zaciskania ani luzowania szczęk uchwytu.
5. Usunąć klucz do uchwytu.
6. Aby zdemontować wiertło, wykonać opisane powyżej czynności w odwrotnej kolejności.

⚠ OSTRZEŻENIE

Aby uniknąć obrażeń ciała lub wypadku spowodowanych przez silne wyrzucenie klucza do uchwytu z uchwytu w momencie włączenia zasilania, używać tylko samowysuwającego się klucza do uchwytu dostarczonego z tą wiertarką pionową. Przed włączeniem zasilania zawsze sprawdzić i ewentualnie usunąć klucz do uchwytu. Kiedy klucz do uchwytu nie jest używany, umieścić go w uchwycie do przechowywania.

WIERCENIE NA OKREŚLONĄ GŁĘBOKOŚĆ

Wiercenie otworu ślepego (nie na wylot) o określonej głębokości można przyprowadzić na dwa sposoby:



Metoda z obrabianym elementem

Zobacz rysunek 27.

1. Zaznaczyć głębokość otworu na boku obrabianego elementu.
2. Z wyłącznikiem w położeniu WYŁ. opuścić wiertło tak, by jego końcówka zrównała się z zaznaczeniem.
3. Przytrzymać uchwyt posuwu w tej pozycji.
4. Opuścić dolną nakrętkę tak, by zetknęła się ze zderzakiem ograniczającym głębokość obróbki na głowicy.
5. Opuścić górną nakrętkę i dokręcić do nakrętki dolnej.
6. Wiertło zatrzyma się po przebyciu odległości zaznaczonej na obrabianym elemencie.

Metoda za skalą głębokości

Zobacz rysunek 28.

UWAGA: Kiedy uchwyt znajduje się w położeniu górnym, końcówka wiertła musi znaleźć się nieco ponad górną powierzchnią obrabianego elementu.

1. Z wyłącznikiem w położeniu WYŁ. obracać uchwyt posuwu do momentu, gdy wskaźnik pokaże pożądaną głębokość na skali głębokości i przytrzymać uchwyt posuwu w tym położeniu.
2. Opuścić dolną nakrętkę tak, by zetknęła się ze zderzakiem ograniczającym głębokość obróbki.
3. Opuścić górną nakrętkę i dokręcić do nakrętki dolnej.
4. Wiertło zatrzyma się po przebyciu odległości zaznaczonej na skali głębokości.

Wiercenie otworu

1. Za pomocą punktaka lub ostrego gwoźdźcia zrobić zagłębienie w punkcie obrabianego elementu, w którym ma zostać nawiercony otwór.
2. Włączyć prowadnik laserowy i wyrównać linie lasera z zagłębieniem.
3. Włączyć zasilanie i pociągnąć uchwyty posuwu w dół tylko z taką siłą, by wiertło zaczęło ciąć materiał.

Zbyt gwałtowne pociągnięcie może spowodować ześlizgnięcie pasa klinowego lub wiertła, poluzowanie obrabianego elementu lub złamanie wiertła.

W przypadku wiercenia w metalu, aby zapobiec jego nagrzewaniu się, należy nasmarować końcówkę wiertła olejem do wiercenia w metalu.

DLA BEZPIECZEŃSTWA OPERATORA

OSTRZEŻENIE

Aby uniknąć wciągnięcia w narzędzie, nie nosić luźnej odzieży, rękawic, krawatów ani biżuterii. Zawsze związywać długie włosy.

1. Jeżeli brakuje jakiegokolwiek części produktu, jakaś część działa wadliwie, jest uszkodzona lub zepsuta, należy natychmiast zaprzestać pracy do momentu naprawy i wymiany tej części.
2. Nigdy nie kłaść palców w miejscu, gdzie mogą zetknąć się z wiertłem lub innym nożem. Obrabiany element może się nieoczekiwanie przesunąć albo może się ześlizgnąć ręką operatora.
3. Aby zapobiec wyrwaniu obrabianego elementu z rąk

operatora, wyrzuceniu go, obróceniu przez narzędzie lub rozpadnięciu się, należy zawsze w odpowiedni sposób go podpierać:

- Zawsze umieszczać materiał oporowy (pod obrabianym elementem) w taki sposób, by stykał się z lewą stroną kolumny.
 - Jeżeli jest to możliwe, ustawiać obrabiany element w taki sposób, by stykał się z lewą stroną kolumny. Jeżeli jest zbyt krótki lub stół jest nachylony, przymocować zaciskiem do stołu, wykorzystując jego szczeliny.
 - Jeżeli używane jest imadło wiertarki pionowej (nie dostarczane z produktem), zawsze przymocowywać je do stołu.
 - Nigdy nie wykonywać żadnych prac, trzymając obrabiany element ręką, nie opierając go o stół. Zalecenie to nie dotyczy polerowania lub szlifowania.
 - Przed użyciem wiertarki pionowej dobrze zablokować głowicę i wspornik na kolumnie, ramię stołu na wsporniku i stół na ramieniu.
 - Nigdy nie przemieszczać głowicy ani stołu podczas pracy narzędzia.
 - Przed rozpoczęciem operacji włączyć przełącznik silnika, aby upewnić się, czy nie występuje bicie osiowe lub drgania wiertła lub innego noża.
 - Jeżeli obrabiany element wystaje poza obręb stołu w taki sposób, że niepodparty spadnie z niego, przymocować go zaciskami do stołu lub zapewnić dodatkowe podparcie.
 - W przypadku operacji niestandardowych używać mocowań umożliwiających odpowiednie utrzymanie, prowadzenie i ustawienie obrabianego elementu.
 - Stosować prędkości wrzeciona zalecane do określonych operacji i materiału obrabianych elementów. Informacje na temat prędkości wiercenia znaleźć można na wewnętrznej stronie pokrywy koła pasowego oraz w rozdziale „Zalecana prędkość wiercenia”. Należy przestrzegać instrukcji dołączonych do używanych akcesoriów.
4. Nie należy wchodzić na stół wiertarki pionowej, ponieważ może to spowodować jego złamanie lub przewrócenie całej wiertarki pionowej na osobę wchodzącą na nią.
 5. Odchodząc od produktu, wyłączyć zasilanie przy gnieździe zasilania.
 6. Aby uniknąć obrażeń ciała spowodowanych wyrzuceniem obrabianego elementu lub zetknięciem z narzędziem, nie wykonywać czynności związanych z planowaniem rozmieszczenia otworów, montażem lub przygotowaniem do pracy, kiedy nóż się obraca.

USTAWIANIE STOŁU I OBRABIANEGO ELEMENTU

Zobacz rysunek 29-30.

1. Zablokować stół na kolumnie w takim położeniu, by końcówka wiertła znajdowała się tuż ponad górną powierzchnią obrabianego elementu.
2. Zawsze używać materiału oporowego (niepotrzebny kawałek drewna) ułożonego na stole pod obrabianym



- elementem. Zapobiegnie to pojawieniu się drzazg lub dużych zadziorów na spodzie obrabianego elementu. Aby zabezpieczyć materiał oporowy przed obracaniem się, należy go oprzeć o lewą stronę kolumny.
- Zastosować odpowiednie podparcie wystającego elementu obrabianego.

⚠ OSTRZEŻENIE

Aby zabezpieczyć obrabiany element i materiał oporowy przed wyrzuceniem podczas wiercenia, **KONIECZNIE** oprzeć obrabiany element o lewą stronę kolumny. Jeżeli obrabiany element lub materiał oporowy nie jest wystarczająco długi, by osiągnąć kolumny, przymocować oba elementy zaciskami do stołu. Zaniedbanie tego wymagania może stać się przyczyną obrażeń ciała.

⚠ OSTRZEŻENIE

Imadło wiertarki pionowej musi być przymocowane zaciskami lub przyśrubowane do stołu, aby zapobiec obrażeniom ciała spowodowanym przez wirujący obrabiany element, elementy uszkodzonego imadła lub wiertła.

UTRZYMYWANIE MIEJSCA WIERCENIA

- Za pomocą punktaka lub ostrego gwoźdźcia zrobić zagłębienie w punkcie obrabianego elementu, w którym ma zostać nawiercony otwór.
- Przed włączeniem zasilania włączyć prowadnik laserowy i wyrównać linie lasera (x) z zagłębieniem.

PRZECHYLANIE STOŁU

Zobacz rysunek 31.

UWAGA: We wsporniku stołu znajduje się nawiercony fabrycznie otwór z kołkiem zabezpieczającym blokującym stół w ustawieniu pod kątem ukośno 0°.

- Dokręcić nakrętkę na kołku zabezpieczającym za pomocą klucza 10 mm lub nastawnego, obracając ją zgodnie z kierunkiem ruchu wskazówek zegara i zwalniając ze wspornika stołu. Kołek ten będzie potrzebny do ponownego ustawienia stołu pod kątem 0° względem wspornika.
- Poluzować dużą śrubę blokady skosu stołu z łbem sześciokątnym za pomocą klucza 17 mm lub nastawnego.

⚠ OSTRZEŻENIE

Aby zapobiec obrażeniom ciała, przytrzymywać stół i zespół ramienia stołu, aby się nie odsunęły ani nie odchyliły.

- Przechylić stół, ustawiając w linii oznaczenie odpowiedniego kąta i linię zerową umieszczoną naprzeciw skali.
- Dokręcić śrubę blokady ukośnego ustawienia stołu.
- Aby przywrócić stół do pozycji wyjściowej, poluzować

śrubę blokady ukośnego ustawienia stołu. Ustawić stół z powrotem pod kątem 0°.

- Ponownie nałożyć nakrętkę na kołek zabezpieczający. Delikatnie uderzać kołek zabezpieczający do momentu osadzenia w otworze wspornika stołu. Dokręcić nakrętkę ręcznie.

⚠ OSTRZEŻENIE

Aby uniknąć obrażeń ciała spowodowanych wirowaniem obrabianego elementu lub uszkodzeniem narzędzia, przed uruchomieniem wiertarki pionowej zawsze mocować obrabiany element zaciskami do stołu.

POSUW NARZĘDZIA

- Pociągnąć uchwyty posuwu w dół tylko z taką siłą, by wiertło zaczęło ciąć materiał.
- Zbyt wolny posuw narzędzia może spowodować spalenie wiertła. Zbyt gwałtowny posuw może spowodować ześlizgnięcie pasa klinowego lub wiertła, poluzowanie obrabianego elementu lub złamanie wiertła.
- Wykonując otwory w metalu, należy nasmarować końcówkę wiertła olejem, aby zapobiec spaleniom obrabianego elementu i wiertła.

KONSERWACJA

⚠ OSTRZEŻENIE

Dla własnego bezpieczeństwa należy wyłączyć zasilanie i wyjąć wtyczkę z gniazda zasilania przez rozpoczęciem prac konserwacyjnych lub smarowaniem wiertarki pionowej.

Należy często oczyszczać z wiórów i opiłków metalu wnętrze silnika i obudowy kół pasowych, stół i powierzchnię roboczą, używając do tego sprężarki powietrznej lub odciągu pyłu. Podczas korzystania z narzędzia zawsze należy nosić okulary ochronne.

⚠ OSTRZEŻENIE

Aby uniknąć ryzyka porażenia prądem lub pożaru, wykwalifikowany elektryk lub serwisant musi wymienić przewód zasilania, jak tylko zostanie stwierdzone jego zużycie lub nacięcie.

SMAROWANIE

Wszystkie łożyska kulowe wiertarki pionowej są fabrycznie wypełnione smarem. Nie wymagają dodatkowego smarowania.

Należy okresowo smarować koło zębate i zębatkę, mechanizm podnoszenia stołu, mechanizm wrzeciona, zębatkę tulei. Co trzy miesiące opuszczają wrzeciono i smarować tuleję wrzeciona umiarkowaną ilością oleju.

TRANSPORT I PRZECHOWYWANIE

Zobacz rysunek 32.

Na czas transportu produktu należy odłączyć przewód zasilający i upewnić się, że wszystkie części są bezpiecznie zamocowane. Obszary chwytania przy podnoszeniu produktu przedstawiono na rysunku 32.

Produkt należy przechowywać w bezpiecznym miejscu, które jest niedostępne dla dzieci.

Przed schowaniem produktu należy wyczyścić go za pomocą szczotki lub odkurzacza.



Drewno

Aluminium
Cynk
Mosiądz

Żeliwo
Stal

Zużytego sprzętu elektrycznego i elektronicznego nie należy wyrzucać jako nieposortowanych odpadów komunalnych. Zużyty sprzęt elektryczny i elektroniczny musi być gromadzony osobno. Zużyte źródła światła muszą zostać usunięte ze sprzętu. Skontaktować się z lokalnymi władzami lub sprzedawcą detalicznym w celu uzyskania porad dotyczących recyklingu i punktu zbiórki odpadów. Zgodnie z lokalnymi przepisami sprzedawcy detaliczni mogą być zobowiązani do nieodpłatnego odbioru zużytego sprzętu elektrycznego i elektronicznego. Państwa wkład w ponowne wykorzystanie i recykling zużytego sprzętu elektrycznego i elektronicznego pomaga zmniejszyć zapotrzebowanie na surowce. Zużyty sprzęt elektryczny i elektroniczny zawiera nadające się do recyklingu i cenne materiały i surowce, które mogą mieć negatywny wpływ na środowisko naturalne i zdrowie ludzkie, jeśli nie są usuwane w sposób przyjazny dla środowiska naturalnego. Z utylizowanego sprzętu należy usunąć wszelkie ewentualne dane osobowe.

SYMBOL



Uwaga dotycząca bezpieczeństwa



Symbol zgodności z przepisami europejskimi



Symbol zgodności z przepisami brytyjskimi



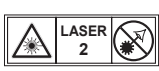
Symbol zgodności z przepisami ukraińskimi



Znak zgodności EurAsian



Przed uruchomieniem produktu należy dokładnie przeczytać te instrukcje.



Promieniowanie lasera. Nie patrzeć bezpośrednio w wiązkę lasera. Urządzenie laserowe klasy 2



Nie wystawiać urządzenia na działanie deszczu ani nie używać go w miejscach o dużej wilgotności.



Stosować środki ochrony słuchu



Zawsze nosić okulary ochronne.



Rozmiar uchwyt



Skok wrzeczona



Wyrównanie wierconych otworów



Średnica wiertła (cale)



ROZWIĄZYWANIE PROBLEMÓW

Problem	Prawdopodobna przyczyna	Rozwiązanie
Głośnie praca.	<ol style="list-style-type: none"> 1. Nieprawidłowe napięcie pasa. 2. Wrzeczono jest suche. 3. Koło pasowe wrzecziona jest luźne. 4. Koło pasowe silnika jest luźne. 	<ol style="list-style-type: none"> 1. Wyregulować napięcie pasa. Patrz rozdział „Napięcie pasa”. 2. Nasmarować wrzeczono. Patrz rozdział „Smarowanie”. 3. Sprawdzić dokręcenie nakrętki zabezpieczającej koło pasowe i w razie konieczności dokręcić. 4. Dokręcić śrubę ustalającą koła pasowego silnika.
Wiertło się pali.	<ol style="list-style-type: none"> 1. Nieprawidłowa prędkość. 2. Wióry nie są usuwane z otworu. 3. Wiertło jest tępe. 4. Zbyt wolny posuw. 5. Nienasmarowane wiertło. 	<ol style="list-style-type: none"> 1. Zmienić prędkość. Patrz rozdział „Zmiana prędkości i wymiana pasa klinowego”. 2. Często wycofywać wiertło, aby usunąć wióry. 3. Naostrzyć lub wymienić wiertło. 4. Wykonywać posuw z odpowiednią prędkością, aby wiertło mogło ciąć materiał. 5. Nasmarować wiertło. Patrz rozdział „Posuw”.
Bicie końcówki wiertła — nawiercony otwór nie jest okrągły.	<ol style="list-style-type: none"> 1. Grube ziarno w drewnie lub nierówne długości i/lub kąty cięcia. 2. Wiertło jest zgięte. 	<ol style="list-style-type: none"> 1. Prawidłowo naostrzyć wiertło. 2. Wymienić wiertło.
Na drewnie od spodu powstają drzazgi.	<ol style="list-style-type: none"> 1. Nie ma materiału oporowego pod obrabianym elementem. 	<ol style="list-style-type: none"> 1. Użyć materiału oporowego. Patrz rozdział „Obsługa”.
Obrabiany element wyrывa się z ręki.	<ol style="list-style-type: none"> 1. Obrabiany element nie jest prawidłowo podparty lub przymocowany zaciskami. 	<ol style="list-style-type: none"> 1. Podeprzeć lub przymocować zaciskami obrabiany element. Patrz rozdział „Obsługa”.
Wiertło więźnie w obrabianym elemencie.	<ol style="list-style-type: none"> 1. Obrabiany element powoduje zaciśnięcie wiertła lub nadmierna siła posuwu. 2. Nieprawidłowe napięcie pasa. 	<ol style="list-style-type: none"> 1. Podeprzeć lub przymocować zaciskami obrabiany element. Patrz rozdział „Obsługa”. 2. Wyregulować naciąg. Patrz rozdział „Napięcie pasa”.
Nadmierne bicie osiowe wiertła.	<ol style="list-style-type: none"> 1. Wiertło jest zgięte. 2. Łożyska uległy zużyciu. 3. Wiertło jest nieprawidłowo zamocowane w uchwycie. 4. Uchwyt nie jest prawidłowo zainstalowany. 	<ol style="list-style-type: none"> 1. Użyć prostego wiertła. 2. Wymienić łożyska. 3. Prawidłowo zamocować wiertło. Patrz rozdział „Obsługa” oraz „Montaż i regulacja”. 4. Prawidłowo zamocować uchwyt. Patrz rozdział „Montaż uchwytu”.
Tuleja wraca zbyt wolno lub zbyt szybko.	<ol style="list-style-type: none"> 1. Sprężyna zwojowa jest nieprawidłowo napięta. 	<ol style="list-style-type: none"> 1. Wyregulować napięcie sprężyny. Patrz rozdział „Sprężyna powrotna tulei”.
Nie można przymocować uchwytu do wrzeczona. Uchwyt spada podczas próby montażu.	<ol style="list-style-type: none"> 1. Brud, smar lub olej na stożkowej powierzchni wewnętrznej uchwytu lub na stożkowej powierzchni wrzeczona. 	<ol style="list-style-type: none"> 1. Za pomocą środka czyszczącego niezawierającego alkoholu oczyścić stożkową powierzchnię uchwytu i wrzeczona, usuwając brud, smar i olej. Patrz rozdział „Montaż uchwytu”.

POPIS

1. Hlava
2. Držák stolu
3. Základová deska
4. Ozubená tyč
5. Stojan
6. Vodicí kroužek tyče
7. Posuvné rukojeti
8. Šnekový převod
9. Zajišťovací páka stolu
10. Seřizovací klika stolu
11. Šestihranné šrouby
12. Sklíčidlo
13. Klíč na sklíčidlo
14. 4mm imbusový klíč
15. 3 mm imbusový klíč
16. Šroubovák se zarážkou
17. Seřizovací klíč
18. 12mm klíč
19. Kladivo nebo pryžová palička
20. Přiložný úhelník
21. Špalek dřeva
22. Motor
23. Laserová hlava
24. Vratná pružina
25. Držák stolu
26. Kryt řemenice
27. Spínač On/Off (Zapnuto/Vypnuto)
28. Spínač laseru
29. Horní bezpečnostní kryt
30. Montážní otvor
31. Zajišťovací šroub hlavy
32. Kolečko pro napínání řemene
33. Držák na klíč sklíčidla
34. Řemenice vřetena
35. Řemenice motoru
36. Podpěra stolu
37. Otvor na seřizovací kliku stolu
38. Podpěra stojanu
39. Nastavovací šroub
40. Hlava
41. Nastavovací šroub pro zajištění hlavy
42. Otvory se závity
43. Náboj kola
44. Vřeteno
45. Šroub x 2 (M12, dodáván zvlášť)
46. Pojistná podložka x 4 (Dia. 12mm, dodáván zvlášť)
47. Pryžová podložka x 2 (Dia. 12mm, dodáván zvlášť)
48. Plochá podložka x 2 (Dia. 12mm, dodáván zvlášť)
49. Pojistná matice x 2 (M12, dodáván zvlášť)
50. Šestihranná matice x 2 (M12, dodáván zvlášť)
51. Pracovní plocha
52. Stupnice pro nastavení naklopení
53. Utahovací šroub pro naklonění stolu
54. Matice
55. Pojistná matice
56. Šrouby
57. Spodní přední zářez
58. Pružinová krytka
59. Vnější pojistná matice
60. Vnitřní matice
61. Drážka
62. Jazyček
63. Čelisti sklíčidla
64. Vrták
65. Hloubka
66. Ukazatel hloubky
67. Stupnice pro nastavení hloubky řezu
68. Horní matice
69. Dolní matice
70. Zarážka
71. Obráběný materiál

Při konstrukci této stojanové vrtačky hrály hlavní roli bezpečnost, výkon a spolehlivost.

ZAMÝŠLENÉ POUŽITÍ

Stojanová vrtačka je určena k vrtání otvorů do dřeva, plastů, hliníku a oceli.

Výrobek je určen k používání dospělými osobami, které četly návod k použití a chápou riziko a nebezpečí s ním spojená.

Výrobek je navržen k upevnění podstavce na masivní stůl. Pokud není podstavec řádně připevněn, má celý přístroj tendenci se během chodu naklánět, klouzat nebo posouvat po pracovní ploše, což zvyšuje riziko závažného úrazu.

Výrobek použijte v suchém prostředí s vynikajícím osvětlením a dostatečným větráním.

Produkt je určen pro spotřebitelské využití a měl by být používán pouze, jak je popsáno výše a nikoli k žádnému jinému účelu.

OBCENÁ BEZPEČNOSTNÍ VAROVÁNÍ K POHÁNĚNÝM NÁSTROJŮM

⚠ VAROVÁNÍ

Přečtěte si pozorně upozornění, pokyny a technické specifikace dodané s náradím a prohlédněte si ilustrace. Nedodržení uvedených pokynů může způsobit požár, úraz elektrickým proudem a/nebo jiné vážné zranění.

Uchovejte si všechny pokyny a varování pro budoucí nahlédnutí. Termín „elektrické nářadí“ ve výstrahách odkazuje na elektrické nářadí napájené ze sítě (s kabelem) nebo na baterie (bez kabelu).

BEZPEČNOST PRACOVNÍ OBLASTI

- **Udržujte pracovní prostor čistý a dobře osvětlený.** Zaházené nebo tmavé oblasti vedou k nehodám.
- **Nepracujte s tímto elektrickým nástrojem ve výbušných prostředích, například v přítomnosti hořlavých kapalin, plynu nebo prachu.** Elektrický poháněný nástroj vytváří jiskry, které mohou zapálit prach nebo výparu.
- **Udržujte děti a přihlížející během práce s elektricky poháněným nástrojem stranou.** Rozptýlování může způsobit ztrátu kontroly.

ELEKTRICKÁ BEZPEČNOST

- **Zástrčky elektricky poháněného nástroje musí být shodné s elektrickou zásuvkou.** Nepokoušejte se zástrčku jakýmkoliv způsobem upravovat. Nepoužívejte žádný adaptér zástrček se zemněným (uzemněným) elektricky poháněným nástrojem. Neupravené zástrčky a shodné zásuvky snižují nebezpečí elektrického úrazu.
- **Předcházejte tělesnému kontaktu s uzemněnými**

nebo zemněnými povrchy, například trubkami, radiátory, sporáky a lednicemi. Je zde zvýšené nebezpečí zásahu elektrickým proudem, pokud je vaše tělo zemněno nebo uzemněno.

- **Nevystavujte elektrické nástroje dešti nebo vysoké vlhkosti.** Voda vnikající do elektricky poháněného nástroje zvyšuje nebezpečí elektrického úrazu.
- **Nepoškozujte napájecí kabel. Nikdy pro odpojování, táhnutí nebo přenášení elektricky poháněného nástroje nepoužívejte kabel. Udržujte kabel mimo horké plochy, olej, pohyblivé součásti nebo ostré hrany.** Poškozené nebo zamotané kabely zvyšují nebezpečí elektrického úrazu.
- **Pokud používáte elektricky poháněný nástroj ve venkovním prostředí, použijte prodlužovací kabel vhodný pro venkovní prostředí.** Použití kabelu vhodného pro venkovní prostředí snižuje nebezpečí elektrického úrazu.
- **Pokud používáte elektricky poháněný nástroj ve vlhkém prostředí, je nezbytné používat proudový chránič (PCH).** Použitím PCH snížíte nebezpečí poranění elektrickým proudem.

OSOBNÍ BEZPEČNOST

- **Buďte ve střehu, hlídejte, co děláte a používejte zdravý rozum při provozu tohoto výrobku. Nástroj nepoužívejte, pokud jste unaveni nebo pod vlivem drog, alkoholu nebo léků.** Chvilé nepozornosti při práci s tímto elektricky poháněným nástrojem může způsobit vážná poranění osob.
- **Používejte osobní ochranné pomůcky. Vždy noste ochranu očí.** Ochranné prostředky jako ochranná maska, protiskluzová bezpečnostní obuv, přilba a ochrana sluchu využívané podle podmínek sníží riziko úrazů.
- **Zabraňte náhodnému spuštění. Před připojením ke zdroji elektrického napětí, popř. vložení baterie, zvednutím nebo přenosem výrobku se vždy ujistěte, že je výrobek vypnutý.** Přenášení elektrického nářadí s prstem na spínači nebo připojování elektrického nářadí k napájení s vypínačem v poloze zapnuto zvyšuje riziko úrazů.
- **Odstraňte všechny seřizovací klíče nebo šroubováky, než zapnete elektricky poháněný nástroj.** Klíč nebo šroubovák ponechaný přiložený k pohyblivému dílu elektricky poháněného nástroje může způsobit poranění osob.
- **Nepřeceňujte se. Udržujte řádné postavení a rovnováhu po celou dobu práce.** Toto umožňuje lepší ovládání elektricky poháněného nástroje v neočekávaných situacích.
- **Správně se oblékejte. Nenoste volný oděv nebo šperky. Braňte styku vlasů a oděvu s pohyblivými částmi.** Volný oděv, šperky nebo dlouhé vlasy mohou být zachyceny do pohybujících se částí.
- **Pokud je k dispozici zařízení na odtah a sběr**



prachu a pilin, zajistěte jeho správné připojení a používání. Sběr prachu a pilin může snižovat s související nebezpečí.

- **Nenechte se ukolébat znalostmi získanými při častém používání nástrojů a neignorujte bezpečnostní pravidla.** Neopatrné zacházení může ve zlomku vteřiny způsobit vážný úraz.

POUŽITÍ A PÉČE O NÁSTROJ

- **Nepoužívejte nadměrnou sílu na nástroj. Nářadí vybírejte podle povahy práce, kterou chcete provádět.** Správný nástroj bude svou prací provádět lépe a bezpečněji při práci, pro kterou byl navržen.
- **Elektricky poháněný nástroj nepoužívejte, pokud spínač nezapíná a nevypíná.** Každý elektricky poháněný nástroj, který nemůže být ovládnán spínačem, je nebezpečný a musí být opraven.
- **Před jakýmkoliv seřizováním, výměnou doplňků, vyjímáním baterie nebo ukládáním elektrického nářadí odpojte nejdříve zástrčku od zdroje napájení elektrického nářadí, popřípadě, podle provedení, vyjměte baterii.** Takováto preventivní opatření snižují riziko nechtěného spuštění výrobku.
- **Ukládejte nečinný elektricky poháněný nástroj mimo dosah dětí a nenechávejte neznámé osoby pracovat s elektricky poháněným nástrojem nebo s těmito pokyny k obsluze elektrického nástroje.** Elektricky poháněné nástroje jsou nebezpečné v rukou nekvalifikovaných uživatelů.
- **Provádějte údržbu elektrického nářadí i příslušenství. Zkontrolujte vychýlení nebo zasekávání pohyblivých se částí, rozbité části a každé jiné podmínky, které mohou ovlivnit funkci nástrojů. Pokud je poškozen, musí být nástroj před použitím opraven.** Mnoho úrazů je způsobeno nedostatečnou drážbou nástrojů.
- **Řezné nástroje udržujte ostré a čisté.** U řádně udržovaných řezných nástrojů s ostrými břity je nižší pravděpodobnost drhnutí a snadněji se ovládají.
- **Výrobek, jeho příslušenství, díly apod. používejte podle tohoto návodu k obsluze a vezměte na vědomí pracovní podmínky a prováděný úkon.** Použití elektricky poháněného nástroje pro práce jiné, než zamýšlené by mohlo mít za následek nebezpečnou situaci.
- **Rukojeti a úchopy udržujte suché a čisté, bez olejů a tuků.** Kluzké rukojeti a úchopy brání bezpečné manipulaci a ovládání nářadí v neočekávaných situacích.

SERVIS

- **Váš elektricky poháněný nástroj smí opravovat pouze kvalifikovaný opravárenský pracovník a musí používat pouze shodné náhradní díly.** Toto zajišťuje, že bezpečnost elektrického nástroje je udržována.

VAROVÁNÍ K STOJANOVÉ VRTAČCE

- **Vrtačka musí být upevněna.** Vrtačka, která není řádně upevněna, se může posunout nebo převrátit a může způsobit úraz.
- **Obrobek musí být uchycen nebo připevněn k podpěře. Nevrtajte do obrobků, které jsou příliš malé k pevnému upnutí.** Držení obrobku během vrtání rukou může způsobit úraz.
- **Nepoužívejte rukavice.** Rukavice mohou být zachyceny rotujícími částmi nebo třískou a způsobit úraz.
- **Při chodu vrtačky mějte ruce mimo prostor vrtání.** Styk s rotujícími částmi nebo třískou může způsobit úraz.
- **Před posunem do obrobku se ujistěte, že se nástroj otáčí.** Jinak by mohlo dojít k vzpříčení nástroje v obrobku a jeho nečekanému pohybu s následkem úrazu.
- **Pokud dojde k vzpříčení nástroje, zastavte přítlak a vrtačku vypněte. Zjistěte příčinu vzpříčení a odstraňte ji.** Vzpříčení může způsobit nečekaný pohyb obrobku s následkem úrazu.
- **Pravidelným přerušováním přítlaku zabraňte vytváření dlouhých třísek.** Ostré kovové třísky mohou způsobit zachycení a úraz.
- **Nikdy z prostoru vrtání neodstraňujte třísky během chodu vrtačky. K odstraňování třísek vyjeďte nástrojem z obrobku, vrtačku vypněte a počkejte na zastavení pohybu nástroje. K odstraňování třísek používejte pomůcky jako smeták nebo pohrabáč.** Styk s rotujícími částmi nebo třískou může způsobit úraz.
- **Příslušenství a nástroje být pro jmenovité otáčky nejméně stejné jako maximální otáčky nářadí.** Příslušenství, které pracuje vyšší rychlostí, než je jeho jmenovitá rychlost, se může rozlomit a vymrštit z nářadí.
- **Udržujte vrtáky čisté a ostré.** Ostré vrtáky minimalizují zasekávání. Špinavé a tupé vrtáky mohou obrobek posunout a případně způsobit uživateli úraz.
- **Udržujte ruce v dostatečné vzdálenosti od pracovní plochy.** Udržujte ruce v dostatečné vzdálenosti od vrtáku. Zajistěte veškeré volné části oblečení, šperky a dlouhé vlasy, aby se do vrtáku nezamotaly.
- **Aby nedošlo k protáčení, vždy obrobek upněte nebo připevňte ke sloupu.** Při vrtání nikdy nadržte obrobek rukama.
- **Používejte doporučenou rychlost pro daný nástavec vrtáku a obráběný materiál.**
- **Ujistěte se, že je vrták nebo řezací nástroj pevně zajištěn ve sklíčidle.**
- **Před zapojením do zdroje elektrického napětí nebo před zapnutím zkontrolujte, že jste klíč ze sklíčidla vytáhli.**
- **Seřídte stůl nebo záražku, abyste nevrtali do**



stolu. Před odchodem přístroj vypněte, vytáhněte vrták a stůl očistěte.

- **Vyhňte se přímému vystavení očí, když používáte laserové vodičko.**
- **Laserový paprsek nesmí nikdy směřovat na reflexní povrch.** Lesklé reflexní materiály nelze s laserem použít.
- **Nikdy nedávejte prsty tam, kde by mohly přijít do kontaktu s vrtákem nebo jiným řezacím nástrojem, kdyby se náhodou obrobek posunul.**
- **Nikdy neposunujte hlavu nebo stůl jeden k druhému.** Nikdy nespouštějte motor ani nezačínejte žádný úkon, dokud nezkontrolujete, že jsou hlava a zajišťovací páka stolu pevně upnuty ke stojanu a hlava a rukávy podpěry stolu jsou správně umístěné.
- **Přes zapnutí spínače se ujistěte, že je kryt řemenice zavřený a sklíčko řádně namontované.**
- **Při odchodu vypněte motor.** Neprovádějte žádné demontážní, montážní či přípravné práce na stole, pokud se řezací nástroj točí, je zapnutý nebo zapojen do zdroje elektrického napětí.
- **Pokud je napájecí kabel poškozen, musí být nahrazen pouze výrobcem nebo pověřeným servisním střediskem za účelem odstranění nebezpečí.**
- **Ukládejte nevyužívané nástroje.** Nástroj vždy po použití skladujte na suchém místě a mimo dosah dětí.
- Doporučuje se napájení vrtáčky připojit přes proudový chránič s jmenovitým proudem nejvíce 30 mA.
- **Uchovejte si tyto pokyny.** Přečtete si pokyny uvedené v části o používání nářadí, ve které jsou uvedeny informace o způsobech zamezení zpětného vrhu a prevence úrazů. Ušchovejte si tento návod, abyste se k němu mohli v budoucnosti vrátit.

LASEROVÁ BEZPEČNOST

- Laser v tomto výrobku je bezpečnostní třídy 2 s maximálním vyzařovaným výkonem 1 mW o vlnové délce 650 nm. Nikdy se nedívejte přímo do laserového paprsku. Nedodržení pravidel může způsobit vážné osobní poranění.
- Nedívejte se do paprsku během práce.
- Nemířte přímo laserový paprsek do očí ostatních. Následkem může být vážné zranění oka.
- Neumísťujte laser do polohy, která může způsobit, že se jiné osoba (y) dívají ať už náhodně nebo úmyslně do laserového paprsku.
- Nepoužívejte optické nástroje pro sledování laserového paprsku.
- Nepoužívejte laser blízko dětí nebo nenechte děti pracovat s tímto laserem.
- Nepokoušejte se sami laserové zařízení opravovat.
- Nezkoušejte sami měnit jakoukoliv část laserového zařízení.
- Opravy smí být prováděny jen kvalifikovaným

výrobcem laseru nebo pověřeným pracovníkem.

- Nemířte laser za jiný typ.

ZBYTKOVÁ RIZIKA

Dokonce, i když se výrobek provozuje jak je předepsáno, je stále nemožné zcela eliminovat veškeré zbytkové rizikové faktory. Obsluha by měla věnovat zvláštní pozornost těmto bodům, aby se snížilo riziko vážného poranění.

- Poškození sluchu – Noste vhodnou ochranu sluchu a omezte vystavení.
- Poškození zraku – Používejte ochranné štíty nebo ochranné brýle při používání výrobku.
- Poranění způsobené vibracemi - Snažte se nedostat do styku s vibrační a dodržujte pokyny na snížení rizika v této příručce.
- Zranění dýchacích cest prachem vzniklým provozováním výrobku – Používejte vhodnou ochranu dle typu prachu.

VAROVÁNÍ

Při broušení, řezání, vyhlazování, vrtání a jiných stavebních pracích se vytváří prach, který může obsahovat karcinogenní látky nebo molekuly, které mohou být příčinou deformace plodu nebo neplodnosti. Příklady nebezpečných chemických látek:

- olovo, u barev na bázi olova,
- krystalická silice, která bývá obsažena v cementu, cihlách a dalších výrobcích určených pro zednické práce,
- arzén a chróm, které bývají obsaženy v chemicky ošetřené dřevě.

Nebezpečnost těchto látek je dána frekvencí používání uvedeného materiálu. Abyste omezili dobu působení těchto chemických látek, pracujte vždy v prostředí s dostatečným větráním, používejte normalizované ochranné prostředky, jako protiprachový respirátor, který filtruje nebezpečné mikroskopické částice.

ELEKTRICKÁ ČÁST

Používejte pouze 3-vodičové napájecí kabely, které mají 3 kolíky a 3 zdičky, které souhlasí se zástrčkou výrobku. Pokud natírací nástroj používáte na velké vzdálenosti od zdroje napájení, používejte prodlužovací kabel dostatečně dimenzovaný, aby bezproblémově napájel stroj. Poddimenzovaný napájecí kabel způsobuje pokles napětí ve vedení s následkem ztráty výkonu a přehřátí motoru.

Před použitím prodlužovacího kabelu zkontrolujte, zda nevidíte obnažené dráty a pořezanou nebo opotřebenou izolační vrstvu.

⚠ VAROVÁNÍ

Udržujte prodlužovací kabel mimo pracovní oblast. Umístěte kabel tak, aby se nezachytil o překážky, nástroje nebo jiné objekty během práce s elektrickým nástrojem. Zanedbání tohoto může způsobit vážné poranění osob.

⚠ VAROVÁNÍ

Zkontrolujte prodlužovací kabel před každým použitím. Poškozené kabely ihned vyměňte. Nikdy nepoužívejte stroj s poškozeným kabelem, protože dotyk tohoto poškozeného místa může způsobit těžký úraz elektřinou.

ELEKTRICKÉ PŘIPOJENÍ

Tento výrobek je poháněn přesně zkonstruovaným elektrickým motorem. Musí být připojen pouze k elektrické síti s napětím 220~240V, AC (běžný proud v zásuvkách domácnosti), 50 Hz. Neprovodujte tento výrobek na stejnosměrném proudu (DC). Velký pokles napětí způsobí ztrátu výkonu a motor se přehřeje. Pokud výrobek po zapojení do síťové zásuvky nepracuje, zkontrolujte zdroj napájení.

RYCHLOST A ZAPOJENÍ

Tato rychlost není konstantní a snižuje se při zátěži či poklesu napětí. Pro napětí je zapojení stejně důležité jako jmenovitý výkon motoru. Vedení určené pro napájení světelné nemůže správně napájet motor nástroje. Drát, který je dostatečně těžký pro krátkou vzdálenost, bude lehký pro větší vzdálenost. Vedení, které podporuje jeden elektrický nástroj nemusí podporovat dva nebo tři nástroje.

POKYNY K UZEMNĚNÍ

V případě selhání nebo havárie poskytuje uzemnění cestu nejmenšího odporu pro elektrický proud pro snížení poranění elektrickým proudem. Toto zařízení je vybaveno elektrickým kabelem se zemnicím vodičem a uzemněnou zástrčkou. Zástrčka se smí zasouvat pouze do zásuvky, která je správně nainstalována a uzemněna v souladu se všemi místními zákony a pravidly.

Neupravujte dodanou zástrčku. Pokud se neshoduje se zásuvkou, požádejte kvalifikovaného elektrikáře o instalaci správné zásuvky. Nesprávné připojení zemniče může vyvolat riziko elektrického šoku. Zemnič je zelený vodič se žlutými pruhy nebo bez nich. V případě nutnosti opravy nebo výměny napájecího kabelu nebo zástrčky nepřipojujte zemnič k fázovému kolíku.

Okamžitě opravte nebo vyměňte poškozený nebo opotřebený kabel.

DOPORUČENÉ PŘÍSLUŠENSTVÍ

⚠ VAROVÁNÍ

Používejte pouze příslušenství, které je k použití s tímto výrobkem doporučeno.

Dodržujte pokyny k tomuto příslušenství. Použití nevhodného příslušenství může být nebezpečné.

- Vrták
- Připínací svorky
- Svěrák stojanové vrtačky

⚠ VAROVÁNÍ

Abyste předešli úrazu v důsledku létajících částí nebo obrobků, používejte pouze příslušenství, které je pro tento výrobek určené.

Příslušenství nepoužívejte, dokud si nepřetčete veškeré pokyny nebo uživatelskou příručku k tomuto příslušenství.

OBSAH KRABICE

VYBALENÍ A KONTROLA OBSAHU

⚠ VAROVÁNÍ

Pokud některé díly chybí nebo jsou poškozené, nezapojte výrobek do elektriny, dokud nebude chybějící nebo poškozený díl vyměněný a montáž dokončena.

Výrobek a všechny jeho díly opatrně vybalte a zkontrolujte podle níže uvedeného seznamu.

Na ochranu výrobku proti vlhku byl povrch přístroje obalen do ochranné vrstvy. Tuto vrstvu odstraňte měkkým hadříkem namočeným do petroleje nebo maziva WD-40.

⚠ VAROVÁNÍ

Nikdy nepoužívejte benzín, naftu, aceton, ředidlo laku nebo podobná velmi těkavá rozpouštědla, které mohou způsobit požár nebo toxickou reakci.

Jako prevenci proti korozi naneste na stůl, stojan a povrchové plochy podstavce vrstvu voskové pasty. Všechny části pečlivě otřete čistým suchým hadříkem.

Položka	Popis	Množ.
1	Hlava	1
2	Držák stolu	1
3	Základová deska	1

4	Ozubená tyč	1
5	Stojan	1
6	Vodící kroužek tyče	1
7	Posuvné rukojeti	3
8	Šnekový převod	1
9	Zajišťovací páka stolu	1
10	Seřizovací klika stolu	1
11	Šestihřanné šrouby	3
12	Skličidlo	1
13	Klíč na sklíčidlo	1
14	4mm imbusový klíč	1
15	3 mm imbusový klíč	1

MONTÁŽ A SEŘÍZENÍ

⚠ VAROVÁNÍ

V rámci osobní bezpečnosti nikdy nezapojujte zástrčku do zásuvky, dokud nedokončíte všechny kroky montáže a dokud se neobeznámíte s bezpečnostními a provozními pokyny.

⚠ VAROVÁNÍ

Výrobek je těžký a zvedat by ho měli minimálně dvě osoby.

PŘIPEVNĚNÍ STOJANU K PODSTAVCI

Viz obrázek 5.

1. Umístěte podstavec na rovný a stabilní povrch.
2. Zarovnejte šroubové otvory na stojanu se šroubovými otvory v podstavci.
3. Do každého otvoru zasuněte šestihřanný šroub.
4. Všechny šrouby utáhněte pomocí nastavitelného klíče.

PŘIPEVNĚNÍ STOLU KE STOJANU

Viz obrázky 6 - 10.

1. Zasuňte zajišťovací páku stolu do otvoru se závit v zadní části držáku stolu.
POZNÁMKA: Páku nasadte zleva doprava tak, že ji nejdříve zasunete do bezzávitového konce držáku.
2. Zasuňte šnekový převod otvorem na seřizovací kliku stolu v držáku. Ujistěte se, že šnekový převod zapadl do vnitřního převodu.
POZNÁMKA: Neodstraňujte mazivo z šnekového převodu.
3. Zasuňte ozubenou tyč do otvoru v držáku tak, aby byly zuby natočeny směrem ven a delší hladký konec směřoval nahoru. Ozubená tyč by měla zapadnout do šnekového převodu.

4. Oběma rukama nasadte celý stůl s ozubenou tyčí na stojan tak, aby byla spodní část ozubené tyče umístěna v rukávu podstavce a podél stojanu.
5. Stůl ke stojanu připevněte utáhnutím zajišťovací páky stolu.
POZNÁMKA: Nepřetahujte.
6. Nasadte vodící kroužek tyče zkosenou stranou dolů na stojan, dokud se zkosená strana nespojí se zkoseným koncem ozubené tyče.
7. Utáhněte nastavovací šroub v rukávu pomocí imbusového klíče. Nepřetahujte nastavovací šroub, aby nedošlo k poškození stojanu nebo rukávu.
POZNÁMKA: Měli byste být schopní pohybovat stolem ze strany na stranu.
8. Namontujte seřizovací kliku stolu na konec šnekového převodu tak, aby byla plochá část vřetena zarovnaná s nastavovacím šroubem.
9. Utáhněte nastavovací šroub pomocí imbusového klíče.

MONTÁŽ HLAVY

Viz obrázek 11.

⚠ VAROVÁNÍ

Hlava stojanové vrtačky je těžká a pro bezpečnou montáž hlavy na stojan by ji měli zvednout minimálně dva lidé.

1. Umístěte hlavu na stojan tak, aby bylo sklíčidlo nad stolem.
POZNÁMKA: Tento výrobek je těžký. V případě potřeby požádejte o pomoc.
2. Posuňte hlavu co nejnižší to půjde. Zarovnejte stůl s podstavcem a imbusovým klíčem utáhněte dva nastavovací šrouby na hlavě.

PŘIPEVNĚNÍ POSUVNÝCH RUKOJETÍ

Viz obrázek 12.

1. Tři posuvné rukojeti zašroubujte do otvorů se závit v náboji kola.

PŘIPEVNĚNÍ SKLÍČIDLA

Viz obrázky 13 - 15.

⚠ VAROVÁNÍ

Před připevněním sklíčidla k hlavě stojanové vrtačky očistěte všechny styčné plochy přípravkem bez příměsí ropy. Veškerý olej nebo maziva použítá v balicím procesu těchto dílů musí být odstraněna, jinak by se mohlo sklíčidlo během provozu uvolnit.

1. Zašpičatěný otvor ve sklíčidle vyčistěte čistým hadříkem a bezalkoholovým čističem. Pečlivě utřete všechny zbytky oleje a veškerou špínu.
2. Stejným způsobem očistěte zašpičatěné plochy vřetena.
POZNÁMKA: Zkontrolujte, že na plochách nejsou přilepené žádné cizí částičky. I ta nejmenší špína

nebo zbytek oleje na těchto površích může způsobit, že skličidlo nebude řádně doléhat. To by mohlo způsobit vratkost skličidla i vrtáku.

- Umístěte skličidlo na vřeteno. Skličidlo by mělo být zcela otevřené, aby se nepoškodily čelisti.
- Uvolněte podporu stolu a posuňte stůl směrem od spodní části skličidla.
- Nasadte skličidlo na vřeteno a posuňte až úplně nahoru.
- Přiložte kousek nepoužívaného dřeva ke skličidlu, aby se při zatloutání nepoškodilo, a pomocí kladiva nebo palice zatlučte skličidlo na místo.

▲ POZOR

Riziko poškození výrobku. Aby nedošlo k poškození skličidla, nikdy nenasazujte skličidlo na vřeteno pomocí kovového kladiva.

ODSTRANĚNÍ SKLIČIDLA

- Pomocí posuvných rukojetí snižte skličidlo do nejnižší možné polohy.
 - Umístěte stahovák kulových čepů (není znázorněno) nad skličidlo a lehce na něj klepněte kladivem nebo gumovou paličkou, dokud skličidlo z vřetena nespadne.
- POZNÁMKA:** Nikdy na skličidlo neklepejte kladivem nebo gumovou paličkou přímo.

POZNÁMKA: Aby nedošlo k případnému poškození skličidla, vytáhněte nejdříve čelisti až nahoru a rukama zachyťte padající skličidlo.

PŘIPEVNĚNÍ STOJANOVÉ VRTAČKY K PRACOVNÍ PLOŠE

Viz obrázek 16.

Pokud budete výrobek používat na jednom stálém místě, připevněte jej k pracovní desce nebo jiné stabilní ploše.

Pokud budete výrobek používat jako přenosný nástroj, připevněte jej nastálo k montážní desce, kterou pak lze snadnou upnout k pracovnímu stolu nebo jiné stabilní ploše. Montážní deska by měla být dostatečně velká, aby během použití nedocházelo k naklánění výrobku. Doporučujeme jakoukoli kvalitní překližku nebo dřevotřískovou desku o tloušťce 19 mm.

- Označte otvory na ploše, kam chcete stojanovou vrtáčku připevnit. Jako šablona vám poslouží otvory v podstavci stojanové vrtáčky.
- Vyvrtejte díry do pracovní plochy.
- Umístěte stojanovou vrtáčku na pracovní plochu, zarovnejte otvory v podstavci s otvory vyvrtanými do pracovní plochy.
- Zasuňte šrouby (nejsou součástí balení) a pevně utáhněte s použitím podložek a šestihranných matic (nejsou součástí balení).

Používáte-li vrutové šrouby, musí být dostatečně dlouhé, aby prošly otvory v podstavci vrtáčky a materiálem, na který stojanovou vrtáčku připevňujete. Používáte-li šrouby s šestihrannou nebo čtvercovou

hlavou, musí být dostatečně dlouhé, aby prošly otvory v podstavci stojanové vrtáčky, materiálem, na který pilu připevňujete, podložkami a maticemi.

POZNÁMKA: Všechny šrouby vložte shora. Podložky a šestihranné matice připevněte zespona stolu.

Po připevnění výrobku na pevnou plochu:

- Při zapnutí motoru zkontrolujte vibrace.
- Podle potřeby seřídte a dotáhněte.
- Zkontrolujte, zda se stůl po stojanu pohybuje hladce nahoru a dolů.
- Zkontrolujte, zda se hřídel volně otáčí.

ULOŽENÍ KLÍČE SKLIČIDLA

Viz obrázek 17.

Držák na skladování klíče skličidla se nachází na pravé straně výrobku.

ŠIKMÉ VRTÁNÍ

Viz obrázek 18.

POZNÁMKA: Přístroj obsahuje úhломěr, pomocí kterého můžete měřit přibližný úhel sklonu. Pokud vyžadujete přesnost, použijte k nastavení stolu příložník nebo jiné měřicí náčiní. Použití stupnice:

- Utáhněte matici na zajišťovacím kolíku pomocí 10mm nebo nastavitelného klíče doprava, abyste uvolnili kolík s podpěry stolu. Tento kolík budete opět potřebovat při vrácení stolu do vodorovné polohy. Nevyhazujte.
- Uvolněte velký šestihranný šroub pro naklánění stolu pomocí 17mm nebo nastavitelného klíče.
- Nakloňte stůl do požadované polohy tak, aby byl požadovaný úhel zarovnaný s nulovou ryskou naproti stupnici.
- Utáhněte šroub pro naklonění stolu.
- Stůl vrátíte do původní polohy tak, že uvolníte šroub pro naklonění stolu. Vraťte stůl do polohy 0°.
- Vraťte matici na zajišťovací kolík na vnější konec závitů. Gumovou paličkou lehce zaklepněte zajišťovací kolík, dokud nezapadne do otvoru v držáku stolu. Matici ručně utáhněte.

POZNÁMKA: Stůl byl z obrázku odstraněn pro lepší přehlednost.

▲ VAROVÁNÍ

V rámci prevence úrazu při seřizování vždy vytáhněte zástrčku ze zdroje elektrického napětí.

VŘETENO / PRUŽINA

Viz obrázek 20.

Otočte posuvnými rukojetmi doleva a posuňte vřeteno do nejnižší polohy. Uchopte skličidlo a posuňte ho zepředu dozadu. Při nadměrné vůli přístroj seřídte podle následujících kroků:

- Uvolněte zajišťovací matici na pravé straně výrobu pomocí 10mm klíče.
- Otočením šroubu doprava pomocí šroubováku se

zarážkou vůli zrušíte, aniž byste zablokovali zdvih vřetene. (Malá vůle ve vřetení je normální.)

- Utáhněte zajišťovací matici.

V RATNÁ PRUŽINA

Viz obrázek 21.

Pokud je návratnost pružiny příliš rychlá nebo pomalá, je nutné vratnou pružinu seřídit. Tato pružina se nachází na levé straně hlavy vrtáčky.

- Abyste lépe viděli, snižte stůl.
- Vsuňte šroubovák do spodního předního zářezu v krytu pružiny. Přidržte a 10mm klíčem uvolněte a sundejte pouze vnější pojistnou matici.
- Šroubovák nechte v zářezu a uvolněte vnitřní matici, jen dokud se zářez neodpojí od jazýčku na hlavě stojanové vrtáčky.

POZNÁMKA: Vnitřní matici nesundávejte, protože by se pružina pod tlakem rozmotala.

- Opatrně šroubovákem otočte krytem pružiny doleva, dokud se neposunete k dalšímu zářezu.
- Posuňte pružinu do nejnižší možné polohy otočením posuvné rukojeti směrem doleva a přidržte přitom kryt pružiny na místě.
- Až se bude pružina pohybovat nahoru a dolů podle vašich představ, utáhněte vnitřní matici ke krytu pružiny a kryt pružiny pomocí klíče. Pokud je příliš volná, zopakujte kroky 3 až 5. Pokud příliš těsná, zopakujte kroky 4 a 5 v převráceném pořadí.
- Klíčem přitáhněte vnější matici k vnitřní matici.

POZNÁMKA: Nepřetahujte a neomezujte pohyb pružiny.

NAPNUTÍ ŘEMENE

Viz obrázek 22.

- Otevřete kryt řemenice.
- Napnutí řemene uvolníte tak, že otočíte utahovacím kolečkem na pravé straně hlavy stojanové vrtáčky doleva.
- Přitáhnutím motoru k přední části výrobku uvolníte napnutí řemene.
- Umístěte řemen na správnou část řemenice podle požadované rychlosti.
- Posuňte motor směrem od hlavy stojanové vrtáčky, dokud nebude řemen řádně napnutý.

POZNÁMKA: Řemen je správně napnutý, pokud se při zatlačení ve střední části prohne cca o 13 mm.

- Utáhnutím kolečka pro napínání řemene upevníte motor. Zavřete kryt řemenice.

KONTROLA/SEŘÍZENÍ LASEROVÉHO PAPSRSKU

Výrobek je vybaven laserem typu Trac®.

Laserový paprsek vám umožní náhled na trasu vrtáku po obrobku před vlastním řezáním.

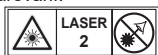
VAROVÁNÍ

Zabraňte přímému kontaktu s očima

Laserové světlo je vyzářováno při zapnutém laserovém dálkoměru. Zabraňte přímému kontaktu s očima Před prováděním jakýchkoliv úprav odpojte výrobek ze zdroje elektrické energie.

- Laserové ukazovátko není hračka a nemělo by přijít do kontaktu s dětmi. Použití tohoto zařízení k nevhodným účelům může způsobit nevyléčitelné poškození zraku.
- Zvyšování laserového výkonu je zakázáno.
- Při použití laserového ukazovátko nemířte laserovým paprskem na osoby ani na reflexní povrchy. I laserový paprsek nízké intenzity může způsobit poškození zraku. Nikdy se nedívejte přímo do laserového paprsku.
- Laserové ukazovátko neobsahuje žádné opravitelné komponenty. Nikdy neotevírejte kryt za účelem provedení oprav nebo seřízení.

- Varování:



- Varovné štítky nepoškozujte ani neodstraňujte. Odstranění štítků zvyšuje riziko vystavení záření.
- POZOR: Použití ovládacích prvků nebo nastavovacích prvků nebo plnění procedur jinak, než je zde specifikováno může mít za následek vystavení se nebezpečnému záření.
- Nepokoušejte se opravit nebo rozebrat laserovou vodováhu. Pokud se toto laserové zařízení pokouší opravit nekvalifikovaná osoba, může dojít k závažnému poranění. Veškeré opravy na tomto laserovém zařízení může provést pouze zaměstnanec autorizovaného servisního centra.
- POZOR: Použití optických náčin s tímto výrobkem zvyšuje riziko poškození zraku.

VAROVÁNÍ

Nepoužívejte barevné čočky k zesílení laserového světla. Barevné čočky snižují celkovou viditelnost zařízení a naruší normální provoz nástroje.

VAROVÁNÍ

Laserové záření. Nikdy nemířte paprskem na obrobek s reflexním povrchem. Jasný a lesklý reflexní ocelový plech nebo podobné reflexní povrchy se pro použití s laserem nedoporučují. Reflexivní povrchy mohou odrazit laserové paprsky zpět na uživatele nebo jiné osoby.

SEŘÍZENÍ LASEROVÝCH ČAR

Viz obrázek 23.

Zkontrolujte zarovnání laseru, aby byl průsečík laserových čar přesně v bodě, kde se vrták dotýká obrobku. Pokud tomu tak není, seřídte laserové čáry seřizovacími kolečky, které se nacházejí na protilehlých stranách hlavy vrtáčky.

1. Označte „X“ na kousku nepoužívaného dřeva.
2. Vložte malý vrták do sklíčidla a zarovnejte jeho špičku do průsečíku čar „X“.
3. Upevněte desku na stůl.
4. Zapněte laserový dálkoměr a zkontrolujte, zda jsou laserové čáry zarovnané s „X“ na obrobku.
5. Pokud nejsou laserové čáry správně zarovnané, uvolněte nastavovací šrouby po stranách laserového krytu imbusovým klíčem a otáčejte seřizovacími kolečky, dokud se čáry neprotnou ve středu „X“. Utáhněte nastavovací šrouby.

OBSLUHA

⚠ VAROVÁNÍ

Neseznamujte se s tímto výrobkem tak, abyste ztratili opatrnost. Nezapomeňte, že nedbalost může ve zlomku vteřiny způsobit vážná poranění.

⚠ VAROVÁNÍ

Vždy používejte ochranné brýle nebo bezpečnostní brýle s postranními kryty při práci s nástroji. Pochybení tak může způsobit vniknutí cizího tělesa do očí a způsobit vážná osobní poranění.

⚠ VAROVÁNÍ

Používejte pouze náhradní díly a příslušenství doporučené výrobcem. Používání doplňků a příslušenství nedoporučených výrobcem mohou způsobit vážná osobní poranění.

⚠ VAROVÁNÍ

Aby nedošlo k úrazu, kryt by měl být při používání výrobku vždy zavřený.

ZMĚNA RYCHLOSTI A NAsAZENÍ ŘEMENE

Viz obrázek 24.

Rychlost vřetene záleží na umístění řemene na řemenici uvnitř hlavy. V tabulce uvnitř krytu hlavy je uvedena doporučená rychlost a nastavení řemenice pro různé typy vrtání.

Změna nastavení řemenice:

1. Zvedněte kryt řemenice.
2. Uvolněte seřizovací šroub napnutý řemene.
3. Vyjměte řemen.
4. Nasadte řemen dle potřeby podle rychlostní tabulky.

5. Utáhněte seřizovací šroub napnutý řemene.

POZNÁMKA: Více informací o doporučené velikosti vrtáku a řezné rychlosti najdete v části „Doporučená řezná rychlost“.

DOPORUČENÁ ŘEZNÁ RYCHLOST

TABULKA ŘEZNÝCH RYCHLOSTÍ (RPM)			
Průměr vrtáku (palce)	Materiál		
	Dřevo Plast	Hliník Zinek Mosaz	Železo Ocel
1/16	2430	2430	2430
1/8			1800
3/16			1300
1/4	1800	1800	800
5/16			1300
3/8	1800	800	510
1/2			

Spínač On/Off (Zapnuto/Vypnuto)

Viz obrázek 25.

Zapnutí nástroje:

1. Zapněte tlačítko (I).

Vypnutí nástroje:

1. Vypněte tlačítko (O).

⚠ VAROVÁNÍ

Přes spuštěním výrobku se vždy ujistěte, že se vrták nedotýká obrobku. Pochybení tak může způsobit odražení obrobku směrem, k obsluze a následně vážné osobní poranění.

NAsAZENÍ A VYJMUTÍ VRTÁKU

Viz obrázek 26.

1. Vytáhněte výrobek ze zdroje elektrického napětí.
2. Otevřete nebo sevřete čelisti sklíčidla tak, aby otvor byl neapříměji větší než je velikost bitu, který máte v úmyslu použít.
3. Vložte vrták do sklíčidla po celé délce čelisti.

⚠ VAROVÁNÍ

Nenasazujte vrták do čelistí sklíčidla s utažením, jak je znázorněno na obrázku 19. To by mohlo vrták odhodit, případně způsobit závažný úraz nebo poškození sklíčidla.

4. Utáhněte čelisti sklíčidla klíčem na sklíčidlo. Nepoužívejte klíč pro utažení nebo povolení čelistí sklíčidla.
5. Vytáhněte klíč na sklíčidlo.
6. Pokud chcete vrták vytáhnout, postupujte podle výše uvedených kroků v opačném pořadí.

⚠ VAROVÁNÍ

Abyste zabránili úrazu nebo nehodě v důsledku vyhození klíče ze sklíčidla při zapnutí výrobku, používejte pouze samovysovavací klíč na sklíčidlo, který je součástí stojanové vrtačky. Před zapnutím výrobku vždy opětovně zkontrolujte, zda je klíč na sklíčidlo vytažen, popř. jej vytáhněte. Když klíč na sklíčidlo nepoužíváte, umístěte jej do příslušného držáku.

VRTÁNÍ DO KONKRÉTNÍ HLOUBKY

Vyvrtat slepý otvor (nikoli skrz obrobek) určité hloubky lze dvěma způsoby:

Metoda s obrobkem

Viz obrázek 27.

1. Označte hloubku otvoru na straně obrobku.
2. S vypnutým přístrojem stáhněte vrták dolů až se jeho špička dostane na úroveň značky.
3. Přidržte posuvnou rukojeť na místě.
4. Sešroubujte spodní matici dolů, dokud se nedotkne zarážky na hlavě.
5. Sešroubujte horní matici dolů a přitáhněte ke spodní matici.
6. Vrták se nyní zastaví ve vzdálenosti označené na obrobku.

Metoda s hloubkoměrem

Viz obrázek 28.

POZNÁMKA: Se sklíčidlem v horní poloze musí být špička vrtáku těsně nad obrobkem.

1. S vypnutým přístrojem otočte posuvnou rukojeť tak, aby ukazatel směřoval do požadované hloubky na hloubkoměru a přidržte posuvnou rukojeť v dané poloze.
2. Otočením posuňte spodní matici dolů, dokud se nedotkne zarážky.
3. Sešroubujte horní matici dolů ke spodní matici a utáhněte.
4. Vrták se zastaví ve vzdálenosti nastavené na hloubkoměru.

Vrtání otvoru

1. Pomocí důlčíku nebo ostrého hřebíku označte na obrobku bod, kde chcete vrtat.
2. Zapněte laserový dálkoměr a zarovnejte laserové čáry s vyznačeným bodem.
3. Zapněte přístroj a použitím přiměřené síly zatáhněte za posuvnou rukojeť tak, aby vrták začal řezat.

Rychlým přistavením by mohlo dojít k posunu řemene nebo vrtačky, uvolnění obrobku nebo zlomení vrtáku.

Při vrtání do kovu je nutné špičku vrtáku namazat olejem na vrtání kovu, aby nedošlo k přehřátí.

V RÁMCI OSOBNÍ OCHRANY

⚠ VAROVÁNÍ

Abyste zabránili úrazu nebo nehodě v důsledku vyhození klíče ze sklíčidla při zapnutí výrobku, používejte pouze samovysovavací klíč na sklíčidlo, který je součástí stojanové vrtačky. Před zapnutím výrobku vždy opětovně zkontrolujte, zda je klíč na sklíčidlo vytažen, popř. jej vytáhněte. Když klíč na sklíčidlo nepoužíváte, umístěte jej do příslušného držáku.

1. Pokud některý díl výrobku chybí nebo je nefunkční, poškozený či zlomený, okamžitě výrobek vypněte a nepoužívejte, dokud nebude daný díl řádně opraven nebo vyměněn.
2. Nikdy nedávejte prsty tam, kde by mohly přijít do kontaktu s vrtákem nebo jiným řezacím nástrojem. Obrobek by se mohl posunout nebo by vám mohly ujet prsty.
3. Aby nedošlo k vytrhnutí obrobku z rukou, odhození, otočení nástrojem nebo rozštěpení, vždy obrobek náležitě zajistěte, a to následovně:
 - Vždy použijte podpěru (umístěnou pod obrobek) tak, aby se dotýkala levé strany stojanu.
 - Pokud to bude možné, vždy umístěte obrobek tak, aby se dotýkal levé strany stojanu. Pokud je příliš krátký nebo stůl je nakloněný, upněte ho ke stolu pomocí otvorů ve stole.
 - Používáte-li svěrák stojanové vrtačky (dodáván zvlášť), vždy ho připevněte ke stolu.
 - Nikdy neprovádějte práce jen s přidružením obrobku rukou bez zajištění ke stolu. Výjimkou je leštění a broušení.
 - Před použitím stojanové vrtačky řádně upevněte hlavu a podpěru ke sloupu, rameno stolu k podpěře a stůl k rameni stolu.
 - Nikdy neposunujte hlavu ani stůl za chovu nástroje.
 - Před spuštěním výrobku krátce spusťte motor a zkontrolujte, že se vrtačka ani jiné řezací nástroje neviklají nebo nezpůsobují vibrace.
 - Pokud obrobek přesahuje velikost stolu tak, že by bez přidružení spadl nebo se nakláněl, připevněte ho ke stolu nebo ho zabezpečte podpěrou.
 - Použijte zajišťovací prvky pro neobvyklý provoz pro náležitě přidružení, posunutí a umístění obrobku.
 - Použijte doporučenou rychlost otáček vřetena pro konkrétní práci a materiál obrobku. Informace o řezné rychlosti najdete na panelu v krytu řemene nebo v části „Doporučená řezná rychlost“. Co se týče příslušenství, použijte pokyny poskytnuté ke konkrétnímu příslušenství.
4. Nikdy nešplhejte na stůl stojanové vrtačky; mohl by se zlomit nebo stáhnout celou stojanovou vrtačku na vás.
5. Při odchodu vypněte přístroj ze zdroje elektrického napětí.
6. Abyste předešli úrazu v důsledku létajících částí nebo kontaktu s nástrojem, neprovádějte demontážní, montážní či přípravné práce na stole, pokud se řezací nástroj točí.



NASTAVENÍ STOLU A OBROBKU

Viz obrázek 29-30.

1. Zajistěte stůl ke stojanu v poloze, kde je špička vrtáku těsně nad obrobkem.
2. Vždy umístěte podpěru (nepoužívaný kousek dřeva) na stůl pod obrobek. Tak zabráníte rozštěpení nebo převrtání na spodní straně obrobku. Aby se podpěra neotáčela, musí být umístěna k levé straně stojanu.
3. Přechvávající obrobek podepřete vhodným prostředkem.

VAROVÁNÍ

Aby během vrtání nedošlo k odhození obrobku nebo podpěry, **MUSÍTE** obrobek umístit k levé straně stojanu. Pokud nejsou obrobek nebo podpěra dostatečně dlouhé, aby na stojan dosáhly, upněte je ke stolu. Pokud obrobek takto nezajistíte, hrozí riziko úrazu.

VAROVÁNÍ

Svěrák stojanové vrtačky musí být připevněn nebo přišroubován ke stolu, aby nedošlo k úrazu v důsledku protažení se obrobku nebo poškozeného svěráku nebo částí vrtáku.

UDRŽENÍ BODU VRTÁNÍ

1. Pomocí důlčičku nebo ostrého hřebíku označte na obrobku bod, kde chcete vrtat.
2. Před spuštěním vrtačky zapněte laserový dálkoměr a zarovnejte laserové čáry s vyznačeným bodem.

NAKLONĚNÍ STOLU

Viz obrázek 31.

POZNÁMKA: V podpěře stolu je předvrtaný otvor se zajišťovacím kolíkem, který zajišťuje stůl v předvrtaném úhlu s 0° sklonem.

1. Utáhněte matici na zajišťovacím kolíku pomocí 10mm nebo nastavitelného klíče doprava, abyste uvolnili kolík s podpěry stolu. Tento kolík budete opět potřebovat při vrácení stolu do vodorovné polohy.
2. Uvolněte velký šestihranný šroub pro naklání stolu pomocí 17mm nebo nastavitelného klíče.

VAROVÁNÍ

Abyste si nezpůsobili úraz, přidržte stůl a rameno stolu, aby se neotáčely nebo nenakláněly.

3. Nakloňte stůl do požadované polohy tak, aby byl požadovaný úhel zarovnaný s nulovou rýskou naproti stupnici.
4. Utáhněte šroub pro naklonění stolu.
5. Stůl vrátíte do původní polohy tak, že uvolníte šroub pro naklonění stolu. Vraťte stůl do polohy 0°.
6. Vraťte matici na zajišťovací kolík na vnější konec závitů. Lehce zaklepněte zajišťovací kolík, dokud nezapadne do otvoru v držáku stolu. Matici ručně

utáhněte.

VAROVÁNÍ

Aby nedošlo k úrazu v důsledku protažení obrobku nebo rozbití nástroje, vždy před spuštěním vrtačky pevně přichyťte obrobek i podpěru ke stolu.

PŘISTAVENÍ

1. Použitím přiměřené síly otočte posuvné rukojeti tak, aby vrták začal řezat.
2. Příliš pomalé přistavení by mohlo způsobit spálení vrtáku. Příliš rychlým přistavením by mohlo dojít k posunu řemene nebo vrtačky, uvolnění obrobku nebo zlomení vrtáku.
3. Při vrtání do kovu je nutné špičku vrtáku namazat olejem, aby nedošlo ke spálení obrobku nebo vrtáku.

ÚDRŽBA

VAROVÁNÍ

Před prováděním údržby nebo mazání stojanové vrtačky v rámci osobní bezpečnosti vypněte spínač a odpojte výrobek ze zdroje elektrického napětí.

Pravidelně pomocí vzduchového kompresoru nebo vysavače prachu odstraňte veškeré piliny nebo kovové třísky. Při práci s nářadím vždy používejte ochranné brýle.

VAROVÁNÍ

Pokud je napájecí kabel opotřebovaný nebo jakkoli poškozený, ihned jej nechte vyměnit kvalifikovaným elektrikářem nebo servisním technikem, aby nedošlo k úrazu elektrickým šokem nebo k požáru.

MAZÁNÍ

Všechna kuličková ložiska stojanové vrtačky byla v továrně naolejována. Nevyžadují žádnou další péči.

Pravidelně promazávejte převod a ozubenou tyč, stolní zvedací mechanismus vřetena a ozubení pružinového mechanismu. Každé tři měsíce stáhněte vřeteno dolů a přiměřeně naolejujte jeho rukáv.

PŘEPRAVA A SKLADOVÁNÍ

Viz obrázek 32.

Při přemísťování výrobku odpojte napájecí kabel a zajistěte pevné uchycení všech částí. Obrázek 32 ukazuje místa pro uchopení při zdvihání výrobku.

Skladujte výrobek na bezpečném místě, které není přístupné dětem.

Vyčistěte výrobek před uskladněním pomocí štetce a vysavače.



SYMBOL



Bezpečnostní výstraha



Značka shody s evropskými normami



Značka shody s britskými normami



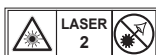
Značka shody s ukrajinskými normami



Euroasijská značka shody



Před použitím přístroje si prosím řádně přečtěte tyto pokyny.



Laserové záření.
Nedívejte se do paprsku.
Laserový výrobek třídy 2



Nevystavujte desti nebo nepoužívejte ve vlhkých místech.



Noste ochranu sluchu



Vždy noste ochranu očí.



Kapacita sklíčidla



Zdvih vřetene



Zarovnání vrtáku



Průměr vrtáku



Dřevo



Hliník
Zinek
Mosaz



Železo
Ocel



Nelikvidujte elektrické a elektronické zařízení společně s netříděným komunálním odpadem. Elektrický a elektronický odpad musí být shromažďován odděleně. Odpadní světelné zdroje musí být od zařízení odděleny. Zjistěte si u místní samosprávy nebo u maloobchodníka, jaké jsou pokyny k recyklaci a kde je sběrné místo. Podle místních nařízení mohou mít maloobchodníci povinnost brát bezplatně zpět elektrický a elektronický odpad. Když budete přispívat k opětnému použití a recyklaci elektrického a elektronického odpadu, pomůže to snížit potřebu surovin. Elektrický a elektronický odpad obsahuje cenné a recyklovatelné materiály, které mohou mít nepříznivý dopad na životní prostředí a lidské zdraví, nebudou-li zlikvidovány ekologickým způsobem. Odstraňte z odpadu osobní údaje, pokud nějaké obsahuje.

ŘEŠENÍ PROBLÉMŮ

Problém	Možná příčina	Řešení
Hlučný provoz.	<ol style="list-style-type: none"> 1. Nesprávné napnutí řemene. 2. Vřeteno je suché. 3. Řemenice vřetena je volná. 4. Řemenice motoru je volná. 	<ol style="list-style-type: none"> 1. Seřídte napnutí. Viz část „Napnutí řemene“. 2. Promažte vřeteno. Viz část „Mazání“. 3. Zkontrolujte utažení zajišťovací matice na řemenici a podle potřeby dotáhněte. 4. Utáhněte nastavovací šroub řemenice motoru.
Vrták se pálí.	<ol style="list-style-type: none"> 1. Nesprávná rychlost. 2. Odštěpky zůstávají v otvoru. 3. Vrták je tupý 4. Přistavení je příliš pomalé. 5. Není promazané. 	<ol style="list-style-type: none"> 1. Změňte rychlost. Viz část „Změna rychlosti a výměna řemene“. 2. Vrták pravidelně vytáhněte a očistěte od odštěpků. 3. Naostřete vrták nebo jej vyměňte za nový. 4. Přistavujte dostatečně rychle – nechte vrták řezat. 5. Promažte vrtačku. Viz část „Přistavení“.
Opatřovaná špička vrtáku – vrtaný otvor není kulatý.	<ol style="list-style-type: none"> 1. Tvrdá vlákna v dřevě nebo řezná čára, popř. úhly nejsou stejné. 2. Vrták je ohnutý. 	<ol style="list-style-type: none"> 1. Naostřete vrták. 2. Vyměňte vrták.
Dřevěné třísky na spodní části obrobku.	<ol style="list-style-type: none"> 1. Pod obrobkem chybí podpora. 	<ol style="list-style-type: none"> 1. Použijte podporu. Viz část „Provoz“.
Obrodek vytržen z ruky.	<ol style="list-style-type: none"> 1. Obrodek není řádně podepřený nebo upnutý. 	<ol style="list-style-type: none"> 1. Podepřete obrodek nebo upněte. Viz část „Provoz“.
Vrták se v obrobku prohýbá.	<ol style="list-style-type: none"> 1. Obrodek přichytává vrták nebo příliš velký tlak při přistavení. 2. Nesprávně napnutý řemen. 	<ol style="list-style-type: none"> 1. Podepřete obrodek nebo upněte. Viz část „Provoz“. 2. Upravte napnutí. Viz část „Napnutí řemene“.
Vrták příliš odhazuje nebo se viklá.	<ol style="list-style-type: none"> 1. Vrták je ohnutý. 2. Ložiska jsou opotřebená. 3. Vrták není ve sklíčidle řádně namontovaný. 4. Sklíčidlo není řádně namontované. 	<ol style="list-style-type: none"> 1. Použijte rovný vrták. 2. Vyměňte ložiska. 3. Vrtačku řádně namontujte. Viz části „Provoz“ a „Montáž a seřízení“. 4. Sklíčidlo řádně namontujte. Viz část „Připevnění sklíčidla“.
Pružina se vrací příliš pomalu nebo příliš rychle.	<ol style="list-style-type: none"> 1. Pružina cívky nemá správné napětí. 	<ol style="list-style-type: none"> 1. Seřídte napnutí pružiny. Viz část „Vratná pružina“
Sklíčidlo nezůstane připojené k vřetenu. Při připevňování vypadává.	<ol style="list-style-type: none"> 1. Špína, mastnota nebo ojel na zašpícatěném vnitřním povrchu sklíčidla nebo vřetena. 	<ol style="list-style-type: none"> 1. Očistěte zašpícatěný povrch sklíčidla a vřetena nealkoholovým čističem na odstranění špíny, mastnoty a oleje. Viz část „Připevnění sklíčidla“.

LEÍRÁS

1. Fejegység
2. Asztal
3. Alaplap
4. Állvány
5. Oszlopegység
6. Állványgyűrű
7. Mozdató fogantyú
8. Csigakerék
9. Asztalrögzítő fogantyú
10. Asztalemelő fogantyú
11. Hatlapfejű csavarok
12. Tokmány
13. Tokmánykulcs
14. 4 mm-es imbuszkulcs
15. 3 mm-es imbuszkulcs
16. Csillagcsavarhúzó
17. Állítható csavarkulcs
18. 12 mm-es csavarkulcs
19. Kalapács vagy gumikalapács
20. Kombinált derékszög
21. Fatömb
22. Motor
23. Lézerfej
24. Segédorsó-visszatérítő rugó
25. Asztalkonzol
26. Csiga burkolata
27. Be/ki kapcsoló
28. Lézerkapcsoló
29. Felső védőszerkezet
30. Rögzítőfurat
31. Fejrögzítő csavar
32. Szalagfeszesség-rögzítő gomb
33. Tokmánykulcstartó
34. Orsócsiga
35. Motorcsiga
36. Asztaltartó
37. Asztalemelő fogantyú nyílása
38. Oszloptartó
39. Beállítócsavar
40. Fej
41. Fejrögzítő beállítócsavar
42. Menetes lyukak
43. Agyszerkezet
44. Orsó
45. Csavar x 2 (M12, nem tartozék)
46. Biztosító alátét x 4 (Dia. 12mm, nem tartozék)
47. Gumialátét x 2 (Dia. 12mm, nem tartozék)
48. Lapos alátét x 2 (Dia. 12mm, nem tartozék)
49. Ellenanya x 2 (M12, nem tartozék)
50. Hatlapfejű anya x 2 (M12, nem tartozék)
51. Munkafelület
52. Szögmérő
53. Asztal dőlésének rögzítőcsavarja
54. Csavaranya
55. Biztosítóanya
56. Csavar
57. Alsó elülső horony
58. Rugókupak
59. Külső ellenanya
60. Belső anya
61. Rovátka
62. Dudor
63. Tokmánypofa
64. Fűrőbetét
65. Mélység
66. Mélységskála mutatója
67. Vágásmélység mérce
68. Felső anya
69. Alsó anya
70. Mélység ütközőfül
71. Munkadarab

Az oszlopos fűrógép tervezése során elsődleges szempont volt a biztonság, a teljesítmény és a megbízhatóság.

RENDELTESSZERŰ HASZNÁLAT

A fűrógépet arra tervezték, hogy lyukakat fúrjon fába, műanyagba, alumíniumba és acélba.

A terméket felnett kezelők általi használatra terveztük, akik elolvasták a gépkönyvet, és értik a kockázatokat és veszélyeket.

A terméket olyan módon alakították ki, hogy a talpánál egy masszív munkaasztalhoz legyen rögzítve. Ha a talp nincs biztonságosan rögzítve, a teljes gép felborulhat, elcsúszhat vagy elvándorolhat az alátámasztó felületen a munka során, ami megnöveli a súlyos személyi sérülés kockázatát.

A termék száraz körülmények között, kiváló megvilágítás és megfelelő szellőztetés mellett használandó.

A termék csak otthoni használatra alkalmas, és csak a fent meghatározottak szerint használható, és nem alkalmas semmilyen más célra.

ÁLTALÁNOS BIZTONSÁGI ELŐÍRÁSOK

⚠ FIGYELEM

Figyelmesen olvassa el az ehhez a szerszámozhoz mellékelt összes figyelmeztetést, utasítást és műszaki adatokat, valamint tanulmányozza az ábrákat is. Az alább részletezett előírások be nem tartása olyan baleseteket okozhat, mint pl. tűz, áramütés és/vagy súlyos testi sérülések.

A jövőbeli felhasználásra őrizze meg az összes figyelmeztetést és útmutatót. A figyelmeztetésekből a „nagy teljesítményű eszköz” a hálózatról működtetett (vezetékes) gépére vagy az akkumulátorral üzemelő (vezeték nélküli) gépére utal.

A MUNKATERÜLET BIZTONSÁGA

- **A munkaterületet tartsa tisztán és jól megvilágítva.** A rendetlen vagy sötét munkaterületek balesetekhez vezethetnek.
- **Az elektromos szerszámgépeket ne működtesse robbanásveszélyes környezetben, mint például robbanásveszélyes folyadékok, gázok vagy porok jelenlétében.** Az elektromos készülékekben szikrák keletkeznek, amik begyűjthetik a port vagy a gőzöket.
- **Az elektromos szerszámgép használatakor a gyerekeket és a kívülállókat tartsa távol.** A figyelem elterelődése az irányítás elvesztését okozhatja.

ELEKTROMOS BIZTONSÁG

- **Az elektromos szerszám dugaszának egyeznie kell az aljzattal.** Semmilyen módon ne módosítsa a dugaszt. A földelt elektromos szerszámokhoz ne használjon csatlakozó adaptert. A nem

módosított és illeszkedő dugasz csökkenti az áramütés kockázatát.

- **Kerülje az érintkezést földelt felületekkel, mint például csövekkel, radiátorokkal és hűtőkkel.** Megnöveli az áramütés kockázatát, ha a teste földeltté válik.
- **Ne tegye ki az elektromos szerszámokat esőnek vagy nedves környezetnek.** Az elektromos gépekbe kerülő víz növeli az áramütés kockázatát.
- **Ne rongálja meg a kábelt.** Az elektromos szerszám kábelét soha ne használja a szerszám hordozására, húzására vagy kihúzására. Tartsa távol a kábelt hőforrásoktól, olajtól, éles szélektől és mozgó alkatrészekről. Sérült vagy beakadt kábelek növelik az áramütés kockázatát.
- **Elektromos szerszám szabadtéri működtetésekor egy kültéri használatra is megfelelő hosszabbító kábelt használjon.** Kültéri használatra megfelelő hosszabbító kábel csökkenti az áramütés kockázatát.
- **Ha a szerszámgép használata nedves környezetben elkerülhetetlen, használjon áramvédőkacsolót (RCD).** Az RCD használata csökkenti az áramütés kockázatát.

SZEMÉLYI BIZTONSÁG

- **A szerszám használatakor legyen éber, figyeljen arra, amit csinál, és használja az összes érzékszervét.** Ne használja a gépet, ha fáradt, illetve ha alkoholt, gyógyszert vagy tudatmódosító szerek hatása alatt áll. A szerszámgépek használata közben már egyetlen figyelmen kívül maradt pillanat is súlyos személyi sérüléshez vezethet.
- **Viseljen személyi védőfelszerelést. Mindig viseljen védőszemüveget.** Az adott feltételekhez használt védőfelszerelés, például porvédő maszk, csúszásmentes biztonsági cipő, védősisak vagy hallásvédő, csökkenti a személyi sérüléseket.
- **Kerülje el a véletlen bekapcsolást.** A termék felvétele, szállítása, tápellátáshoz/akkusomaghoz csatlakoztatása előtt győződjön meg arról, hogy a kapcsoló kikapcsolt helyzetben van. Baleseteket okozhat, ha az ujjával a kapcsolón nagy teljesítményű gépeket szállít, vagy ezeket bekapcsolva áram alá helyezi.
- **A szerszámgépről bekapcsolás előtt távolítson el minden beállító kulcsot és csavarkulcsot.** Egy a szerszámgép forgó alkatrészén maradt beállító kulcs vagy csavarkulcs személyi sérülést eredményezhet.
- **Ne hajoljon ki túlságosan. Mindig tartson megfelelő testtartást és egyensúlyt.** Ez a szerszámgép jobb irányítását teszi lehetővé váratlan helyzetekben.
- **Viseljen megfelelő ruházatot. Ne vegyen fel laza ruhát vagy ékszereket.** A haját és a ruházatát tartsa távol a mozgó alkatrészekről. A laza ruházat és ékszerek vagy a hosszú haj beakadhatnak a mozgó alkatrészekbe.
- **Ha porlevetető vagy -gyűjtő tartozékok**

csatlakoztatásához szolgáló eszközökkel rendelkezik, akkor biztosítsa ezek csatlakoztatását és megfelelő használatát. A porvezetés használata csökkentheti a porhoz kapcsolódó veszélyeket.

- Ne töltse el elégedettséggel az, hogy a gyakori eszközhasználatból kellő jártasságot szerzett, és ne hagyja figyelmen kívül az eszköz biztonsági alapelveit. A gondatlan cselekvés súlyos sérülést okozhat a másodperc tört része alatt.

A SZERSZÁMGÉP HASZNÁLATA ÉS KARBANTARTÁSA

- Ne erőltesse a gépet. A feladathoz a megfelelő terméket használja. A megfelelő termék jobb teljesítménnyel és biztonságosabban fog dolgozni olyan fordulatszámra, amilyenekre azt tervezték.
- Ne használja a szerszámgépet, ha a kapcsoló nem kapcsol be és ki. Bármilyen szerszámgép veszélyes, amit a kapcsolóval nem lehet irányítani. Azt meg kell javítani.
- Mielőtt beállítását végezne, tartozékok cserélne vagy a nagy teljesítményű gépet eltávolítja, húzza ki a csatlakozódugót a konnektorból és/vagy vegye ki az akkumulátort, ha eltávolítható. Az ilyen megelőző biztonsági intézkedések csökkentik a termék véletlen elindításának veszélyét.
- A használaton kívüli készüléket gyerekek számára nem elérhető helyen tárolja, és ne hagyja, hogy a szerszámgépet vagy a kézikönyvet nem ismerő személyek használják a szerszámgépet. Gyakorlatlan felhasználók kezében a szerszámgépek veszélyesek.
- Végezze el a nagy teljesítményű gépek és a tartozékok karbantartását. Ellenőrizze a mozgó alkatrészek akadását vagy helytelen beállítását, az alkatrészek törését és minden más körülményt, ami hatással lehet a gép működésére. Ha sérült, a szerszámot az újbóli használat előtt meg kell javítani. A rosszul karbantartott szerszámok sok balesetet okoznak.
- A vágóeszközöket tartsa élesen és tisztán. A megfelelően karbantartott, éles vágóélel rendelkező vágóeszközök kevésbé akadnak el, és egyszerűbben irányíthatók.
- A terméket, tartozékokat és szerszámfejeket stb. ezen útmutatónak megfelelően használja a munkakörülmények és a végrehajtandó munka figyelembe vételével. A szerszámgép rendeltetésétől eltérő műveletekre való használata veszélyes helyzeteket eredményezhet.
- A markolatokat és a fogófelületeket tartsa szárazon, tisztán és ne legyenek zsírosak, olajosak. A csúszós markolatokkal és fogófelületekkel váratlan helyzetekben az eszköz kezelése és irányítása nem biztonságos.

SZERVIZELÉS

- A szerszámgépet csak szakképzett szervizszakemberrel szervizeltesse, csak azonos

cserealkatrészeket használva. Ez biztosítja, hogy a szerszámgép használata továbbra is biztonságos legyen.

AZ OSZLOPOS FÜRÖGÉP BIZTONSÁGI FIGYELMEZTETÉSEI

- Rögzítse a fűrőt. A nem megfelelően rögzített fűrő elmozdulhat vagy felbillenhet, és személyi sérülést okozhat.
- A munkadarabot fogja be rögzítőeszközzel vagy rögzítse a támasztékához. Ne fúrjon olyan darabokat, amelyek túl kicsik a biztos befogáshoz. Ha használat közben kézzel tartja a munkadarabot, az személyi sérülést okozhat.
- Ne hordjon kesztyűt. Ezt ugyanis elkaphatják a forgó alkatrészek vagy forgácsok, ami személyi sérülést okozhat.
- A készülék működése közben tartsa távol a kezét a fűrőterülettől. A forgó alkatrészekkel vagy forgácsokkal való érintkezés személyi sérülést okozhat.
- Ellenőrizze, hogy a tartozék fog, mielőtt a munkadarabba tolja. Különben a tartozék beragadhat a munkadarabba, ami a munkadarab váratlan mozgását és személyi sérülést okozhat.
- Ha a tartozék beragadt, ne nyomja tovább lefelé, és kapcsolja ki a készüléket. Végezzen vizsgálatot és javításokat, hogy megszüntesse a beragadás okát. A beragadás a munkadarab váratlan mozgását és személyi sérülést okozhat.
- Rendszeresen szakítsa meg a lefelé irányuló nyomást, hogy ne hozzon létre hosszú forgácsokat. Az éles fémgorgácsok beakadhatnak és személyi sérüléseket okozhatnak.
- Soha ne távolítson el forgácsokat a fűrőterületről a készülék működése közben. A forgácsok eltávolításához vigye a tartozékokat távol a munkadarabtól, kapcsolja ki a készüléket és várjon, amíg a tartozék abbahagyja a mozgást. A forgácsokat kefével, kampóval vagy más hasonló szerszámmal távolítsa el. A forgó alkatrészekkel vagy forgácsokkal való érintkezés személyi sérülést okozhat.
- Ha a tartozéknak névleges sebessége van, az legyen legalább egyenlő a készüléken feltüntetett maximális sebességgel. A saját névleges sebességüknél nagyobb sebességen üzemelő tartozékok eltörhetnek és kibodódnak / kirepülhetnek a szerszámból.
- Tartsa a fűrőszárakat tisztán és élesen. Éles fűrőszárral az elakadás minimalizálható. A szennyeződött és tompa fűrőszár az anyag téves igazítását és a kezelő sérülését okozhatja.
- Ne tegye a kezét a munkaterületen belülré. Tartsa távol a kezét a fűrőszártól. Ne viseljen laza ruházatot, ékszereket, hosszú hajat stb., mert ezeket a fűrőszár elkaphatja.
- Mindig fogja be a munkadarabot, vagy támassza az oszlopnak a forgás megelőzéséhez. Soha ne



tartsa kézzel a tárgyat a fúrás alatt.

- **Használja a fúró kiegészítőkhöz és munkadarab anyagához ajánlott sebességet.**
- **A fúrószár vagy vágóeszköz szilárdan rögzítve legyen a tokmányban.**
- **Vegye ki a tokmánykulcsot a tokmányból, mielőtt a gépet az áramforráshoz csatlakoztatja vagy bekapcsolja.**
- **Állítsa be az asztalt vagy a mélységi ütközőt, hogy elkerülje azt, hogy az asztalba fúrjon.** Mielőtt eltávozna a géptől kapcsolja ki azt, vegye ki a fúrószárát és tisztítsa meg az asztalt.
- **A lézeres vezetők használatakor kerülje el annak szembe jutását.**
- **A lézersugarat irányítsa mindig nem tükröző felületre.** A fényes, tükröző anyagok nem felelnek meg lézeres használatra.
- **Soha ne tegye újját olyan helyre, ahol az a fúróval vagy más vágószerszámmal érintkezhet, ha a munkadarab váratlanul elmozdul.**
- **Ne végezzen semmilyen műveletet a fejet vagy az asztalt egymáshoz képest elmozdítva.** Ne kapcsolja be a motort és ne kezdjen el semmilyen műveletet, mielőtt ellenőrizte volna a fej és asztaltartó rögzítő fogantyú szoros rögzítését az oszlophoz, valamint a fej és asztaltartó bilincsek megfelelő helyzetét.
- **A bekapcsolás előtt a szíjvédő elemet le kell eresztelni és a tokmányt megfelelően meghúzni.**
- **Mielőtt magára hagyja a gépet, zárja le a motorkapcsolót.** Ne tervezzen vagy végezzen összeállítási műveleteket az asztalon, amíg a vágóeszköz forog, be van kapcsolva vagy az áramforráshoz van csatlakoztatva.
- **Ha a tápkábel sérült, azt a veszélyek elkerülése érdekében csak a gyártó vagy annak hivatalos szervizközpontja cserélheti ki.**
- **Tegye el a gépet, ha nem használja.** Használaton kívül a szerszámgépeket valamilyen száraz, zárt helyen, gyerekektől elzárva kell tárolni.
- **A gépet mindig érdemes egy legfeljebb 30 mA névleges maradékáramú érintésvédelmi relével ellátni.**
- **Őrizze meg ezt az útmutatót.** Időnként olvassa el és használja más felhasználók betanításakor. Ha kölcsönadja valakinek a gépet, adja hozzá a használati utasítást is.

A LÉZER BIZTONSÁGOS HASZNÁLATA

- **A termék 2. osztályú lézersugárzást használ legfeljebb = 1 mW és 650 nm hullámhosszal.** Ne nézzen közvetlenül a lézersugárba. A szabályok mellőzése súlyos személyi sérülést eredményezhet.
- **Ne nézzen a sugárba a gép használata közben.**
- **Ne irányítsa a lézersugarat mások szemébe.** Ez komoly szemsérülést eredményezhet.
- **Ne tegye le a lézert olyan helyzetben, hogy valaki**

szándékosan vagy véletlenül a lézersugár útjába kerülhessen.

- **Ne használjon optikai eszközöket a lézersugár láthatóvá tételére.**
- **Ne használja a lézert gyerekek mellett, és ne engedje, hogy azt gyerekek használják.**
- **Ne próbálja egyedül megjavítani a lézerberendezést.**
- **Ne próbálja meg önmaga kicserélni a lézerkészülék egyik alkatrészét sem.**
- **A javításokat csak a lézer gyártója vagy a hivatalos szervize végezheti el.**
- **Ne cserélje ki a lézert más típusúra.**

VISSZAMARADÓ KOCKÁZATOK

Még a termék rendeltetéseszerű használatára esetén sem lehet teljesen kiküszöböllni minden kockázati tényezőt. A kezelőnek különös figyelmet kell fordítania ezekre a pontokra, hogy csökkentse a súlyos személyi sérülések kockázatát.

- **Halláskárosodás** – Viseljen megfelelő hallásvédőt, és korlátozza a zajnak való kitettséget.
- **Látáskárosodás** – Viseljen védőszemüveget vagy szemvédőt a termék használatakor.
- **Vibráció okozta sérülések** - Korlátozza a kitettséget és a kézikönyv kockázatsökkentési utasításai szerint járjon el.
- **Légzőszervek károsodása** a termék működése közben keletkező portól – Viseljen a por típusának megfelelő védőeszközt.

⚠ FIGYELEM

A csiszoló-, fúró-, köszörlő- és fűrészmunkák, illetve egyéb építőipari munkák által keltett por rákkeltő vegyi anyagokat tartalmazhat illetve veleszületett fejlődési rendellenességeket és termékenységi problémákat okozhat. Néhány példa az ilyen vegyszerekre:

- ólom, az ólom alapú festékekben,
- kristályosodott szilícium-dioxid, mely bizonyos cementekben, téglákban és más építőipari anyagokban fordulhat elő,
- arzén és króm, mely egyes, vegyileg kezelt fatermékekben fordul elő.

Az ezekkel a vegyszerekkel kapcsolatos veszély foka a munkálatok fajtájától és gyakoriságától függ. A káros vegyszereknek való kitétel (expozíció) veszélyének csökkentése érdekében mindig jól szellőztetett környezetben dolgozzon, viseljen bevizsgált (tanúsítvánnyal rendelkező) biztonsági védőfelszerelést, mint pl. olyan speciális porvédő álarc, mely képes a mikroszkopikus elemek szűrésére is.

ELEKTROMOS JELLEMZŐK

Csak 3 vezetőkes hosszabbító kábelt használjon, amely 3-érintkezős dugasszal és olyan 3-pólusú aljzattal van

Az eredeti útmutató fordítása **207**



felszerelve, amelybe csatlakoztatható a termék dugasza. Ha a gépet az áramforrástól jelentős távolságban használja, egy megfelelően nagy terhelhetőségű hosszabbító kábelt használjon, amely elbírja a termék által felvett áramerősséget. Az alulméretezett hosszabbító kábel feszültségesezt eredményez, ami teljesítményvesztést és a motor túlmelegedését okozza. Mielőtt hosszabbító kábelt használ, ellenőrizze, hogy ne legyen benne kilazult, csuszap vagy elvágott vezeték vagy elhasználdott szigetelés.

▲ FIGYELEM

A hosszabbító kábelt tartsa távol a munkaterülettől. Úgy helyezze el a hosszabbító kábelt, hogy géppel végzett munka során ne akadjon be farönkbe, szerszámokba és más akadályokba. Ezen előírás be nem tartása súlyos testi sérüléssel járó balesetet eredményezhet.

▲ FIGYELEM

Használat előtt mindig ellenőrizze a hosszabbító kábelt. Sérülés esetén azonnal cserélje ki. Soha ne használja a gépet sérült hosszabbító kábellel, mert a sérült terület megérintése súlyos sérüléssel járó áramütést okozhat.

ELEKTROMOS CSATLAKOZÁS

A terméket precíziós elektromos motor működteti. Csak 220~240 V 50 Hz-es váltakozó áramú (AC) elektromos hálózathoz (normál háztartási áram) csatlakoztatható. Ne működtesse a terméket egyenáramról (DC). Egy nagyobb feszültségingadozás teljesítményvesztést és a motor túlmelegedését okozza. Ha a termék nem működik a hálózatba való csatlakoztatás után, ellenőrizze újra a hálózati feszültséget.

SEBESSÉG ÉS VEZETÉKEZÉS

Ez a fordulatszám nem állandó, terhelés alatt vagy kisebb feszültségek esetén csökken. Feszültség szempontjából a műhelyben levő vezetékek legalább annyira fontosak, mint a motor teljesítmény-besorolása. Egy fényforrásokhoz való vezeték nem képes megfelelően meghajtani egy szerszám gép motorját. A rövid távolságra elég erős vezeték nagy távolságokon túl gyenge is lehet. Az a vezeték, ami elbír egy szerszám gépet, nem biztos, hogy elbír két vagy három szerszám gépet.

FÖLDELÉSI ÚTMUTATÓ

Meghibásodás vagy üzemzavar esetén a földelés biztosítja a legalacsonyabb ellenállású útvonalat az elektromos áramnak, így csökkenti az áramütés kockázatát. A termék olyan elektromos kábellel van felszerelve, ami földelő vezetékkel és földelt csatlakozóval van ellátva. A dugaszt egy megfelelően felszerelt és földelt aljzathoz kell csatlakoztatni, a helyi előírásokat és rendelkezéseket szem előtt tartva.

Ne módosítsa a készülékhez adott dugaszt. Ha nem illeszkedik az aljzatba, akkor szereltesen fel egy megfelelő aljzathoz egy szakképzett villanyszerelővel. A berendezés földelő vezetőjének nem megfelelő csatlakoztatása áramütést eredményezhet. A zöld színű, vagy zöld színű és sárga csíkos külső szigetelő burkolatú vezető a berendezés földelő vezetője. Ha a villamos tápkábel vagy a csatlakozó cseréje válik szükségessé, ne csatlakoztassa a berendezés földelőkábelét áram alatt lévő csatlakozóhoz.

A sérült vagy elhasználdott kábelt azonnal meg kell javíttatni vagy ki kell cserélni.

JAVASOLT KIEGÉSZÍTŐK

▲ FIGYELEM

Csak a termékhez javasolt kiegészítőket használja.

Kövesse a kiegészítővel kapott használati utasításokat. A kiegészítők nem megfelelő használata kockázatot jelent.

- Fúróbetét
- Rögzítőbilincsek
- Oszlopos fúrógépsatuk

▲ FIGYELEM

Csak a termékhez tervezett kiegészítőket használja, hogy elkerülje a kidobott, törött alkatrészek vagy munkadarabok által jelentett veszélyeket.

Csak olyan kiegészítőket használjon, amelyeknek a használati utasításait vagy felhasználói kézikönyvét átvoltasta.

A DOBOZ TARTALMA

A TARTALOM KICSOMAGOLÁSA ÉS ELLENŐRZÉSE

▲ FIGYELEM

Ha bármelyik alkatrész hiányzik, vagy sérült, ne csatlakoztassa a terméket a hiányzó vagy sérült alkatrész pótlásáig és a teljes szerkezet összeállításáig.

Óvatosan csomagolja ki a terméket és valamennyi alkatrészét, és hasonlítsa össze az alábbi listával.

A megmunkált felületekre egy védőréteget vittek fel, amely megvédi a terméket a nedvességtől. Távolítsa el ezt a védőréteget egy kerozinnal vagy WD-40-nel megnedvesített puha törőlkendővel.

▲ FIGYELEM

Soha ne használjon benzint, könnyűbenzint, acetont, lakkhígítót vagy hasonló illékony oldószereket a termék tisztításához, hogy elkerülje a tüzeseteket vagy a mérgező reakciókat.

A rozsdásodás megelőzéséhez vigyen fel egy viaszréteget az asztalra, oszlopra és a talprész megmunkált felületeire. Törölje le alaposan a gép részeit egy tiszta, száraz törülközővel.

Alkatrész	Leírás	Menny.
1	Fejegység	1
2	Asztal	1
3	Alaplap	1
4	Állvány	1
5	Oszlopegység	1
6	Állványgyűrű	1
7	Mozgató fogantyúk	3
8	Csigakerék	1
9	Asztalrögzítő fogantyú	1
10	Asztalemelő fogantyú	1
11	Hatlapfejú csavarok	3
12	Tokmány	1
13	Tokmánykulcs	1
14	4 mm-es imbuszkulcs	1
15	3 mm-es imbuszkulcs	1

ÖSSZESZERELÉS ÉS BEÁLLÍTÁSOK**▲ FIGYELEM**

Saját biztonsága védelmében az összeszerelés minden lépésének elvégzése előtt valamint a biztonsági és üzemeltetési utasítások elolvasása és elsajátítása előtt soha ne csatlakoztassa a gépet az áramforráshoz.

▲ FIGYELEM

A termék egy nagy teljesítményű eszköz, amelyet legalább két ember kell megemeljen ahhoz, hogy biztonságosan összeszerelhető legyen.

AZ OSZLOP ÖSSZESZERELÉSE A TALPPAL

Lásd 5. ábrát.

- Helyezze a talpat egy egyenletes, szilárd felületre.
- Igazítsa az oszlopegységen lévő csavarlyukakat a talpon lévő csavarlyukakhoz.

- Helyezzen egy hatlapfejú csavart minden lyukba.
- Szorítsa meg mindegyik hatlapfejú csavart egy állítható csavarkulccsal.

AZ ASZTAL FELSZERELÉSE AZ OSZLOPEGY-SÉGRE

Lásd a 6. - 10. ábrákat.

- Helyezze be az asztalkonzol rögzítőfogantyúját az asztalkonzol hátsó részén lévő menetes lyukba.
MEGJEGYZÉS: Szerelje fel a fogantyút balról jobbra, hogy előbb az asztalkonzol menet nélküli oldalába lépjen be.
- Helyezze be a csigakereket az asztalkonzolban lévő asztalemelő fogantyú lyukán keresztül. Illesse össze a csigakereket a belső kerékkel.
MEGJEGYZÉS: Ne törölje le a kenőanyagot a csigakerékről.
- Helyezze be az állványt az asztalkonzol nyílásán keresztül úgy, hogy a fogak kifelé nézzenek és a hosszabb, sima vége felfelé nézzen. A csigakerék illeszkedjen össze az állvánnyal.
- Csúsztassa a teljes asztalt és állványt két kézzel az oszlopra, amíg az állvány alsó része a talp bilincsen áll és az oszlop mentén.
- Szorítsa meg az asztalkonzol rögzítőfogantyúját, hogy az asztal szerkezetét az oszlophoz rögzítse.
MEGJEGYZÉS: Ne húzza meg túl erősen.
- Csúsztassa az állvány gyűrűjét lefelé néző ferde résszel az oszlopra, amíg a ferde oldal az állvány ferde végével érintkezésbe lép.
- Szorítsa meg a bilincs beállítócsavarját az imbuszkulccsal. Ne húzza meg túl erősen a beállítócsavart, nehogy megsértse az oszlopot vagy a bilincset.
MEGJEGYZÉS: Az asztal legyen az egyik oldalról a másikra átmozdítható.
- Szerelje fel az asztalemelő fogantyút a csigakerék végére úgy, hogy a tengely lapos oldala összeigazodjon a beállítócsavarral.
- Az imbuszkulccsal húzza meg a beállítócsavart.

A FEJ FELSZERELÉSE

Lásd 11. ábrát.

▲ FIGYELEM

Az oszlopos fűrőgép feje nehéz, ezt két ember kell felemelje ahhoz, hogy biztonságosan felszerelhető legyen az oszlopra.

- Állítsa a fejet az oszlopra úgy, hogy a tokmány az asztal felett legyen.
MEGJEGYZÉS: A termék nehéz. Szükség esetén kérjen segítséget.
- Csúsztassa lefelé a fejet, amíg csak lehet. Igazítsa az asztalegységet a talphoz és az imbuszkulccsal húzza meg a két fejrögzítő csavart.

A MOZGÁTO FOGANTYÚK FELSZERELÉSE

Lásd 12. ábrát.



1. Csatlakoztassa a három mozgató fogantyút úgy, hogy azokat az agyegység menetes lyukaiba csavarja.

A TOKMÁNY FELSZERELÉSE

Lásd a 13. - 15. ábrákat.

▲ FIGYELEM

A tokmálynak a fűrógép fejére szerelése előtt tisztítsa meg minden egymáshoz csatlakozó felületet egy nem kőolajalapú termékkel. Ezekről az alkatrészekről minden olajat és zsíradékot le kell tisztítani, különben a tokmány kilazulhat az üzemeltetés alatt.

1. Tisztítsa meg a tokmány rézsütös nyílását egy tiszta törölköendővel és egy nem alkohol-alapú tisztítószerezrel. Töröljön le alaposan minden olajmaradékot, szennyeződést vagy lerakódást.
2. Az orsó rézsütös felületeit ugyanilyen módon tisztítsa meg.
MEGJEGYZÉS: Semmilyen idegen anyag ne tapadjon a felületekhez. A legkisebb szennyeződés vagy olajmaradék is megakadályozza a tokmány megfelelő illeszkedését. Ennek következtében a fűrógép tokmánya és a fűrőszár imbolyogni fog.
3. Helyezze a tokmányt az orsóra. A tokmány legyen teljesen nyitva a befogópofák sérülésének elkerüléséhez.
4. Oldja ki az asztaltartó rögzítését és fordítsa el az asztalt a tokmány aljától.
5. Helyezze a tokmányt az orsóra, felfelé nyomva, ameddig engedi.
6. Egy fadarabbal – hogy védje a tokmányt – határozottan ütögesse a tokmányt a helyére egy kalapáccsal.

▲ VIGYÁZAT

A gép sérülésének kockázata. A tokmány sérülésének elkerüléséhez soha ne kalapálja a tokmányt az orsóra fém kalapáccsal.

A TOKMÁNY LESZERELÉSE

1. Forgassa el a mozgató fogantyúkat, hogy a tokmányt a legalsó helyzetbe állítsa.
2. Helyezze a gömbcsukló-elválasztót (nincs feltüntetve) a tokmány fölé és finoman ütögesse meg egy kalapáccsal vagy gumikalapáccsal, hogy a tokmány leessen az orsról.
MEGJEGYZÉS: Soha ne üsse közvetlenül a tokmányt a kalapáccsal vagy a gumikalapáccsal.

MEGJEGYZÉS: A tokmány esetleges sérülésének elkerüléséhez előbb emelje fel teljesen a befogópofákat és álljon készen, hogy elkapja a leeső tokmányt.

AZ OSZLOPOS FÜRÓGÉP FELSZERELÉSE EGY MUNKAFELÜLETRE

Lásd 16. ábrát.

Ha a terméket egy állandó helyen használják, rögzítse azt egy munkapadra vagy más, szilárd felületre.

Ha a terméket hordozható szerszámként fogják használni, akkor rögzítse egy lapra, amelyet könnyen egy munkapadhoz vagy más stabil felületre lehet fogni. A lap megfelelő méretű legyen, hogy a termék a használat során ne billenjen fel. Bármilyen 19 mm (3/4") vastagságú jó minőségű rétegelt lemez vagy forgácslap használható erre a célra.

1. Azon a felületen, ahova a fűrógépet felszereli, jelölje meg a lyukakat a fűrógép talpát használva sablonként.
2. Fúrjon lyukakat a lap felületébe.
3. Helyezze a fűrót a lapra és igazítsa a talpon lévő lyukakat a lapba fúrt lyukakra.
4. Helyezze be a csavarokat (nem tartozék), és szorítsa meg a biztosító alátéttekkel és a hatlapú anyákkal (nem tartozék).

Ha facsavarokat használnak a rögzítéshez, ezek elegendő hosszúságúak legyenek, hogy átérjenek a fűrógép talpán és azon az anyagon, amelyre a fűrót felszerelik. Ha gépcsavarokat használnak a rögzítéshez, ezek elegendő hosszúságúak legyenek, hogy átérjenek a fűrógép talpán és azon az anyagon amelyre felszerelik, valamint helyet kell hagyni a biztosító alátétnek és a hatlapú anyának is.

MEGJEGYZÉS: Az összes csavart felülről kell behelyezni. Szerelje fel a biztosító alátéteket és a hatlapú anyákat munkapad alatt.

Miután a terméket szilárdan egy erős felületre szereli:

1. Ellenőrizze a rázkódást bekapcsolt motorral.
2. Szükség szerint állítsa be és húzza meg újra a felszerelés csavarjait.
3. Ellenőrizze az asztalegységet, ennek simán kell mozognia fel és le az oszlopon.
4. Az orsótengelynek simán kell mozognia.

TOKMÁNYKULCS TÁROLÁSA

Lásd 17. ábrát.

A tokmánykulcs tartója a termék jobb oldalán van.

FERDE FÜRÁS

Lásd 18. ábrát.

MEGJEGYZÉS: Egy skála látható a gépen, amely a körülbelüli dőlésszögeket méri. Ha nagyobb pontosságra van szükség, egy derékszöggel vagy más mérőeszközzel állítsa be az asztal helyzetét. A skála használata:

1. Húzza meg a rögzítőcsap anyáját egy 10 mm-es vagy egy állítható csavarkulccsal jobbra, így kioldja a csapot az asztal tartójából. Erre a csapot akkor lesz szükség, amikor az asztalt visszaállítja a 0 fokos beállításba. Ne dobja el.
2. Lazítsa meg a nagy hatlapfejű asztalbillentés-rögzítő csavart egy 17 mm-es vagy állítható csavarkulccsal.
3. Billentse meg az asztalt, igazítsa a kívánt szöveget a





skála ellentétes oldalán lévő nullás vonalhoz.

- Szorítsa meg az asztalbillentés-rögzítőcsavart.
- Az asztal eredeti helyzetbe állításához lazítsa ki az asztalbillentés-rögzítőcsavart. Állítsa vissza az asztalt a 0°-os helyzetbe.
- Tege vissza a rögzítőcsapon lévő anyát a menetek külső végére. Finoman ütögesse meg a rögzítőcsapot egy gumikalapáccsal, amíg az beleül az asztalkonzol megfelelő lyukába. Szorítsa meg kézzel az anyát.

MEGJEGYZÉS: Az áttekinthetőség kedvéért az asztal nincs feltüntetve az ábrán.

▲ FIGYELEM

A személyi sérülés elkerüléséhez a módosítások előtt mindig húzza ki az áramforrásból a gépet.

ORSÓ/SEGÉDORSÓ

Lásd 20. ábrát.

Forgassa el a mozgató fogantyúkat balra, hogy az orsót a legalacsonyabb állásra engedje le. Tartsa a tokmányt és mozgassa előre-hátra. Ha túl nagy a játéka, folytassa a következő beállításokkal:

- Lazítsa ki a termék jobb oldalán lévő rögzítőanyát egy 10 mm-es csavarkulccsal.
- Egy csillagcsavarhúzóval jobbra forgassa el a csavart a holtjáték megszüntetéséhez, de ne akadályozza az orsó felfelé irányuló mozgását. (Az orsónál egy kis játék normál működésnek számít.)
- Húzza meg a rögzítőanyát.

SEGÉDORSÓ-VISSZATÉRÍTŐ RUGÓ

Lásd 21. ábrát.

Ha a segédorsó visszatérési sebessége túl nagy vagy túl alacsony, a segédorsórugó beállítására lehet szükség. A rugó a fűrófej bal oldalán van.

- A rés megnöveléséhez engedje le az asztalt.
- Helyezze a csavarhúzót a rugókupak alsó elülső hornyába. Egy 10 mm-es csavarkulccsal tartsa egy helyben, amíg a külső ellenanyát kilazítja és leveszi.
- Míg a csavarhúzó még mindig a horonyban van, lazítsa ki a belső anyát, amíg horony elválik a fűrógép fejének dudorától.

MEGJEGYZÉS: Ne vegye le ezt a belső anyát, mert akkor a rugó kitekeredik.

- Óvatosan fordítsa el a csavarhúzóval a rugókupakot balra a következő horonyig.
- Engedje le a segédorsót a legmélyebb helyzetbe, elfordítva a mozgató fogantyúkat balra, közben a rugókupakot egy helyben tartva.
- Ha a segédorsó a kívántnak megfelelően jár fel és le, szorítsa meg a belső anyát, szorosan a rugókupakhoz a csavarkulccsal. Ha túlságosan laza, ismétlje meg a 3.-5. lépést a megszorításához. Ha túl laza, hajtsa végre a 4.-5. lépést fordított irányban.
- A csavarkulccsal szorítsa a külső anyát a belső anyához.

MEGJEGYZÉS: Ne húzza meg túl erősen, mert ezzel

korlátozza a segédorsó mozgását.

SZALAGFESZESSÉG

Lásd 22. ábrát.

- Nyissa fel a csiga burkolatát.
- A szalag kilazításához fordítsa balra a szalagfeszesség-rögzítőgombot a fűrógép fejének jobb oldalára.
- A szalag kilazításához húzza a motort a termék eleje felé.
- Helyezze a szalagot a megfelelő csigafokozatokra a kívánt sebességhez.
- Nyomja a motort el a fűrógép fejtől, amíg a szalag megfelelően feszessé válik.

MEGJEGYZÉS: A szalag feszessége akkor megfelelő, amikor a közepét megnyomva körülbelül 13 mm-t (1/2") enged.

- A motor helyzetének rögzítéséhez szorítsa meg a szalagfeszesség-rögzítő gombot. Zárja le a csiga burkolatát.

A LÉZER IRÁNYZÉKÁNAK ELLENŐRZÉSE BEÁLLÍTÁSA

A termék a Laser Trac® kiegészítővel van ellátva.

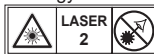
A lézersugárral megtekintheti a munkadarabon a fűrószár útját a művelet elkezdése előtt.

▲ FIGYELEM

Kerülje el, hogy a lézersugár közvetlenül a szemébe világítson

A lézertény akkor kapcsolódik be, amikor a lézeres vezetőt bekapcsolja. Kerülje el, hogy a lézersugár közvetlenül a szemébe világítson. Mindig húzza ki a készüléket az áramforrásból, mielőtt bármilyen beállítást végezne.

- A lézermutató nem játék és nem kerülhet gyerekek kezébe. A szerkezet nem rendeltetészerű használata gyógyíthatatlan szemsérüléshez vezethet.
- A lézer teljesítményének bármilyen módosítása tilos.
- A lézermutató használatokor ne mutasson a lézersugárral emberek és/vagy tükröző felületek irányába. Még az alacsony intenzitású lézersugár is szemkárosodást okozhat. Ne nézzen közvetlenül a lézersugarba.
- A lézermutató nem tartalmaz javítható alkatrészeket. Soha ne nyissa fel a házat javításhoz vagy beállításokhoz.
- A lézer figyelmeztető címkéje:



- Ne vegye le és ne takarja el a figyelmeztető címkéket. A címkék levétele megnöveli a sugárzás-kitétség veszélyét.
- VIGYÁZAT: A kezelőszervek, beállítások és eljárások alább leírtaktól eltérő használata esetén



veszélyes sugárzás érheti.

- Ne próbálja megjavítani vagy szétszerelni a lézermutatót. Súlyos sérülés származhat abból, ha szakképzettség nélküli személyek kísérik meg a lézeres termék javítását. A lézeres termék bármilyen javítását csak szakképesített szervizközponti személyzet végezheti el.
- VIGYÁZAT: Az optikai eszközök használata ezzel a termékkel megnöveli a szemsérülések veszélyét.

▲ FIGYELEM

Ne használjon színezett üveget a lézerezény javításához. A színezett üveg csökkenti az alkalmazás általános láthatóságát és károsan befolyásolja az eszköz normál üzemeltetését.

▲ FIGYELEM

Lézersugárzás. Soha ne irányítsa a lézersugarat tükröző felületű munkadarabra. A fényes, tükröző acéllap, vagy hasonló tükröző felületek nem ajánlottak a lézer üzemeltetéséhez. A tükröző felület a lézersugarat a kezelő vagy mások szemébe terelheti.

A LÉZERES VONALAK BEÁLLÍTÁSA

Lásd 23. ábrát.

Ellenőrizze a lézer beállítását, hogy a lézeres vonalak pontosan arra a helyre essenek, ahol a fúró találkozik a munkadarabbal. Ha ez nem így van, akkor a lézeres vonalakat be kell állítani a lézerbeállító gombokkal, amelyek a fejegység másik oldalán vannak.

1. Jelöljön meg egy „X” jelet egy fadarabon.
2. *Helyezzen be egy kis fúrószárat a tokmányba és igazítsa a hegyét a vonalak „X” jellel jelölt kereszteződési pontjára.*
3. Rögzítse a deszkát az asztalhoz.
4. Kapcsolja be a lézeres irányézőket és ellenőrizze, hogy a lézervonalak egybeesnek-e a munkadarabon lévő „X” jellel.
5. Ha a lézervonalak nem esnek egybe ezzel a jellel, lazítsa meg egy imbuszkulccsal a beállítócsavarokat az egyes lézerrházakon és forgassa el a lézerbeállító gombokat, amíg a vonalak az „X” jel közepénél nem találkoznak. A rögzítéshez húzza meg újra a csavarokat.

HASZNÁLAT

▲ FIGYELEM

Ne engedje, hogy a gép mind alaposabb ismerete figyelmetlenné tegye. Soha ne feledje, hogy egy pillanatnyi figyelmetlenség is elegendő ahhoz, hogy súlyosan megsérüljön.

▲ FIGYELEM

A gép használatakor mindig viseljen védőszemüveget vagy oldalellezővel rendelkező védősisakot. Ennek az előírásnak a be nem tartása által a felhasználó szemébe idegen test kerülhet és ez súlyos szemsérülést okozhat.

▲ FIGYELEM

Kizárólag a gyártó által ezen szerszámhoz előírt alkatelmekeket és tartozékokat használjon. A nem előírt alkatelmelek és tartozékok használata súlyos sérülésekkel járó baleseteket idézhet elő.

▲ FIGYELEM

Az esetleges sérülések elkerüléséhez tartsa a védőlemezt zárva, amíg az eszköz működik.

A SZALAG SEBESSÉGÉNEK ÉS HELYÉNEK MÓDOSÍTÁSA

Lásd 24. ábrát.

Az orsósebességet a szalag csigákon lévő helyzete határozza meg a fejegység belsejében. A fejegység burkolatának belsején látható sebesség-táblázat feltünteteti az ajánlott sebességet és a csiga beállításait az egyes fúrási műveletekhez.

A csiga konfigurációjának módosítása:

1. Emelje fel a csiga burkolatát.
2. Lazítsa ki a feszességszabályozó csavart.
3. Vegye le a szalagot.
4. A táblázatnak megfelelően helyezze át a szalagot.
5. Húzza meg újra a feszességszabályozó csavart.

MEGJEGYZÉS: Tekintse meg az „Ajánlott fúrási sebesség” című szakaszt a fúrószar méretére és a fúrási sebességre vonatkozó ajánlásokért.

AJÁNLOTT FÚRÁSI SEBESSÉG

Fúrószar átmérője (Hüvelyk)	Anyag		
	Fa Műanyagok	Alumínium Cink Bronz	Vas Acél
1/16	2430	2430	2430
1/8			1800
3/16	1800	1800	1300
1/4			800
5/16			800
3/8	1800	800	1300
1/2			510

Be/ki kapcsoló

Lásd 25. ábrát.

A szerszám bekapcsolása:

1. Nyomja meg a Bekapcsolás gombot (I).

A szerszám kikapcsolása:

1. Nyomja meg a Kikapcsolás (O) gombot.

▲ FIGYELEM

A munkadarab ne érintkezzen a fűrészárral, amikor bekapcsolja a terméket. Ezen figyelmeztetés figyelmen kívül hagyása a munkadarabnak a kezelő felé történő kidobódását okozhatja, és súlyos személyi sérülést eredményezhet.

FÜRŐSZÁRAK FEL- ÉS LESZERELÉSE

Lásd 26. ábrát.

1. Húzza ki a konnektorból a terméket.
2. Nyissa szét vagy zárja össze a tokmánpofát arra a méretre, hogy egy kicsit nagyobb legyen, mint a használni kívánt bit mérete.
3. Helyezze a fűrészárat a tokmányba, a befogópofák teljes hosszában.

▲ FIGYELEM

Ne helyezze a fűrészárat a tokmány befogópofáiba a 19. ábrán látható módon. Ez azzal járhat, hogy a termék kidobja a fűrészárat, ami súlyos személyi sérülést, vagy a tokmány sérülését okozhatja.

4. Húzza meg szorosan a tokmány befogópofáit a mellékelt tokmánykulccsal. Ne használjon kulcsot a tokmánpofa összezárásához vagy szétnyitásához.
5. Vegye ki a tokmánykulcsot.
6. A fűrészár kivételéhez ismétlje meg fordított irányban a fenti lépéseket.

▲ FIGYELEM

Ahhoz, hogy elkerülje a sérülést vagy balesetet, amikor a tokmány nagy erővel dobja ki a tokmánykulcsot a bekapcsoláskor, csakis a jelen fűrógéppel kapott önkidobó tokmánykulcsot használja. Mindig ellenőrizze és vegye ki a tokmánykulcsot a gép bekapcsolása előtt. Használáton kívül a tokmánykulcsot tartsa a tartójában.

ADOTT MÉLYSÉGŰ FURAT KÉSZÍTÉSE

Kétféleképpen fúrhat adott mélységű vaklyukat (amikor a lyuk nem hatol át a munkadarabon):

Munkadarab módszer

Lásd 27. ábrát.

1. Jelölje meg a lyuk mélységét a munkadarab oldalán.
2. Kikapcsolt géppel nyomja le a fűrészárat, amíg a csúcsa a jel szintjére ér.
3. Tartsa a mozgatófogantyút ebben a helyzetben.
4. Csavarja le az alsó anyát, amíg érintkezésbe lép a fejen lévő mélységi ütközőfüllel.

5. Csavarja le a felső anyát, amíg az alsó anyához szorul.
6. A fűrészár megáll, miután megtette a munkadarabon bejelölt távolságot.

Mélységi skála módszer

Lásd 28. ábrát.

MEGJEGYZÉS: A felső állásban lévő tokmánnyal a fűrészár csúcsa egy kissé a munkadarab teteje felett legyen.

1. Kikapcsolt kapcsolóval fordítsa el a mozgatófogantyút, amíg a mutató a mélységi skálán a kívánt mélységet mutatja, és tartsa a mozgatófogantyút ebben a helyzetben.
2. Csavarja le az alsó anyát, amíg érintkezésbe lép a mélységi ütközőfüllel.
3. Csavarja a felső anyát az alsó ellenanyához és szorítsa meg.
4. A fűrészár megáll, miután megtette a mélységi skálán kiválasztott távolságot.

Lyuk fúrása

1. Egy pontozóval vagy helyes szeggel készítsen bemélyedést a munkadarabba azon a helyen, ahol fúrni kíván.
2. Kapcsolja be a lézeres irányzékot és igazítsa a lézervonalakat a bemélyedésre.
3. Kapcsolja be a gépet és húzza le a mozgatófogantyúkat, olyan erővel, ami lehetővé teszi a vágást a fűrórnak.

A túl gyors mozgatás azzal járhat, hogy a szalag, vagy a fűrészár megcsúszik, kiszakítja a munkadarabot vagy eltöri a fűrészárat.

Fém fúrásakor a túlhevülés megakadályozásához esetleg kenje meg a fűrészár hegyét fémfúró olajjal.

SAJÁT VÉDELMEHEZ**▲ FIGYELEM**

Ne viseljen laza ruházatot, kesztyűt, nyakkendőt vagy ékszert, hogy a gép ne ránthassa be ezeket. A hosszú hajat kösse hátra.

1. Ha a termék bármelyik alkatrésze hiányzik, hibásan működik, sérült vagy törött, azonnal állítsa le a műveletet, amíg az adott alkatrészt megfelelően megjavítja vagy cseréli.
2. Soha ne tegye ujját olyan helyre, ahol az a fűróval vagy más vágószerszámmal érintkezhet, ha a munkadarab váratlanul elmozdul. A munkadarab vagy az Ön keze váratlanul megcsúszhat.
3. Ahhoz, hogy az eszköz ne rántsa ki, dobja el vagy forgassa meg a munkadarabot a kezéből, mindig támassza meg azt a következők szerint:
 - Mindig helyezzen egy biztonsági anyagdarabot (a munkadarab alá) úgy, hogy az az oszlop bal oldalával érintkezzen.
 - Lehetőség esetén úgy helyezze el a munkadarabot, hogy az az oszlop bal oldalával érintkezzen. Ha a munkadarab túl rövid,



vagy az asztal meg van billentve, csíptesse a munkadarabot szilárdan az asztalhoz az asztalon lévő hornyokkal.

- A fúró satujának (nem tartozék) használatakor mindig rögzítse azt az asztalhoz.
 - Soha ne végezzen munkát szabad kézzel (az asztalra támasztás helyett kézben tartva a munkadarabot), kivéve fényezéskor vagy csiszoláskor.
 - A fűrőgép üzemeltetése előtt rögzítse szorosan a fejet és a tartót az oszlophoz, az asztal karját a tartóhoz és az asztalt az asztalkarhoz.
 - Soha nem mozgassa el a fejet vagy az asztalt, míg az eszköz működik.
 - Egy művelet elkezdése előtt rázza meg a motorkapcsolót, ellenőrizze, hogy a fúró vagy más vágóeszköz nem imbolyog és nem okoz vibrációt.
 - Ha a munkadarab túlnyúlik az asztalon annyira, hogy leesik vagy leborul, ha nem tartják meg, csíptesse azt az asztalhoz vagy biztosítson a munkadarabnak kiegészítő támaszt.
 - A megszokottól eltérő műveletekhez használjon olyan szerelvényeket, amelyekkel a munkadarab megfelelően megtartható, vezethető és elhelyezhető.
 - Használjon az adott művelethez és munkadarab- anyaghoz ajánlott orsósebességet. Nézze meg a csiga burkolatának belső részén lévő panelt vagy tekintse meg az „Ajánlott fűrési sebesség” című szakaszt a fűrési sebességre vonatkozó információkért. A kiegészítőket illetően tekintse meg az egyes kiegészítőkhöz kapott utasításokat.
4. Soha ne mászon fel a fűrőgép asztalára, mert az letörhet vagy felboríthatja a teljes fűrőgépet.
 5. Amikor eltávolít a terméktől, kapcsolja ki az áramot az áramforrásnál.
 6. A kidobott munkadarab vagy az eszközzel érintkezés által okozott sérülések elkerüléséhez ne végezzen tervezést, összeszerelést vagy összeállítást az asztalon, amíg a vágóeszköz forog.

AZ ASZTAL ÉS A MUNKADARAB ELHELYEZÉSE

Lásd 29-30. ábrát.

1. Rögzítse az asztalt az oszlophoz olyan helyzetben, hogy a fűrőszár csúcsa éppen a munkadarab teteje felett legyen.
2. Mindig helyezzen egy biztonsági anyagdarabot (fadarabot) az asztalra a munkadarab alá. Ezzel megakadályozza a szilánkképződést vagy a túlzott sorjárást a munkadarab alsó felén. A biztonsági anyag forgásának megakadályozásához az oszlop bal oldalához kell igazítania azt.
3. A túlnyúló munkadarabokat megfelelő módon támassza alá.

▲ FIGYELEM

A munkadarab vagy a biztonsági anyagdarab kidobódásának megakadályozásához a munkadarabot az oszlop bal oldalához KELL igazítani. Ha a munkadarab vagy a biztonsági anyagdarab nem elegendően hosszú ahhoz, hogy elérje az oszlopot, csíptesse azokat az asztalhoz a munkadarab rögzítéséhez. Személyi sérülést okozhat, ha nem rögzíti a munkadarabot.

▲ FIGYELEM

A fűrőgép satuját az asztalhoz kell csíptetni vagy csavarozni, hogy elkerülje a forgó munkadarab vagy sérült satu és fűrőszárak által okozott sérülést.

FÜRÁSI HELY MEGTARTÁSA

1. Egy pontozóval vagy helyes szeggel készítsen bemélyedést a munkadarabba azon a helyen, ahol fúrni fog.
2. Kapcsolja be a lézeres irányzékot és igazítsa a lézervonalakat (x) a bemélyedésre, mielőtt a fúrót bekapcsolja.

AZ ASZTAL MEGDÖNTÉSE

Lásd 31. ábrát.

MEGJEGYZÉS: Az asztaltartón lévő előfúrt lyukban egy rögzítőcsap található, ami az asztalt az előre befűrt 0°-os szögben rögzíti.

1. Húzza meg a rögzítőcsap anyáját egy 10 mm-es vagy egy állítható csavarkulccsal jobbra, így kioldja a csapot az asztaltartóból. Erre a csapra akkor lesz szükség, amikor az asztalt visszaállítja a 0 fokos beállításba.
2. Lazítsa meg a nagy hatlapfejű asztalbillentés-rögzítő csavart egy 17 mm-es vagy állítható csavarkulccsal.

▲ FIGYELEM

A sérülések megelőzéséhez tartsa az asztalt és az asztal karját, így az nem fog inogni vagy megbillenni.

3. Billentse meg az asztalt, igazítsa a kívánt szöget a skála ellentétes oldalán lévő nullás vonalhoz.
4. Szorítsa meg az asztalbillentés-rögzítőcsavart.
5. Az asztal eredeti helyzetbe állításához lazítsa ki az asztalbillentés-rögzítőcsavart. Állítsa vissza az asztalt a 0°-os helyzetbe.
6. Tegye vissza a rögzítőcsapon lévő anyát a menetek külső végére. Finoman ütögesse meg a rögzítőcsapot, amíg az beleül az asztalkonzol megfelelő lyukába. Szorítsa meg kézzel az anyát.



▲ FIGYELEM

A forgó munkadarab vagy a törött eszköz által okozott sérülések elkerüléséhez mindig csíptesse a munkadarabot és a biztonsági anyagot szorosan az asztalhoz, mielőtt a fűrőgépet üzemelteti.

MOZGATÁS

- Húzza le a mozgatófogantyúkat, de csak akkora erővel, ami a fűrőszár által végzett vágáshoz szükséges.
- A túl lassú mozgatás eredményeként a fűrőszár égethet. A túl gyors mozgatás azzal járhat, hogy a szalag, vagy a fűrőszár megcsúszik, kiszakítja a munkadarabot vagy eltöri a fűrőszárat.
- Fém fűrásakor esetleg kenje meg a fűrőszár hegyét olajjal, hogy megakadályozza a munkadarab és a fűrőszár égését.

KARBANTARTÁS**▲ FIGYELEM**

Saját biztonsága védelmében kapcsolja ki a gépet és húzza ki a dugót a konnektorból, mielőtt a fűrőgépen karbantartási vagy kenési műveletet végez.

A motorban, csigaházban, az asztalon és a munkafelületen esetleg összegyűlő fűrészport vagy fémforgácsokat fúvassa ki gyakran egy kompresszorral vagy porszívóval. Mindig viseljen szemvédőt a szerszám használata során.

▲ FIGYELEM

Az áramütés vagy tűzveszély elkerüléséhez, ha a kábel kopott vagy vágás van rajta, azonnal cseréltesse ki szakképesített villanyszerelővel vagy szerviztechnikussal.

KENÉS

A fűrőgép minden csapágát gyárilag zsírozzák. Ezek nem igényelnek további kenést.

Rendszeresen kenje meg a csigát, az állványt, az orsó asztalemelő szerkezetét és a segédorsó fogait. Háromhavonta engedje le az orsót és kissé olajozza meg az orsó perselyét.

SZÁLLÍTÁS ÉS TÁROLÁS

Lásd 32. ábrát.

A termék szállításakor válassza le a tápkábelt és győződjön meg arról, hogy az összes alkatrész megfelelően rögzül. A 32. ábra mutatja, hogy mely pontoknál fogva emelheti meg a terméket.

Gyerekektől elzárt helyen tárolja a terméket.

Tárolás előtt egy kefével vagy porszívóval tisztítsa meg a terméket.

SZIMBÓLUM

Biztonsági figyelmeztetés



Európai megfelelőségi jelölés



Brit megfelelőségi jelölés



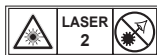
Ukrán megfelelőségi jelölés



Eurázsiai megfelelőségi jelzés



Kérjük, olvassa át gondosan ezt az útmutatót a termék beindítása előtt.



Lézersugárzás.
Ne nézzen a lézersugárba.
2. osztályú lézeres termék



Ne tegye ki esőnek és ne használja nedves környezetben.



Viseljen fülvédőt



Mindig viseljen védőszemüveget.



Tokmány kapacitása



Orsót



Fűrás beállítása



Fűrőszár átmérője (hüvelyk)



Fa



Alumínium
Cink
Bronz



Vas
Acél

Az elektromos és elektronikus berendezések hulladékait ne ártalmatlanítsa válogatatlan települési hulladékként. Az elektromos és elektronikus berendezések hulladékait gyűjtse elkülönítve. A hulladékká vált fényforrásokat vegye ki a berendezésből. Lépjen kapcsolatba a helyi hatósággal vagy kereskedővel az újrahasznosításra vonatkozó útmutatásért és a gyűjtőállomásokkal kapcsolatos információkért. A helyi szabályozások szerint a kereskedők kötelesek lehetnek ingyen visszavenni az elektromos és elektronikus berendezések hulladékait. A hozzájárulása az elektromos és elektronikus berendezések hulladékainak újrafelhasználásához és újrafeldolgozásához segít csökkenteni a nyersanyagok iránti keresletet. Az elektromos és elektronikus berendezések hulladékai értékes és újrafeldolgozható anyagokat tartalmaznak, amelyek káros hatással lehetnek a környezetre és az emberi egészségre, ha nem környezetbarát módon ártalmatlanítják őket. A hulladékká vált berendezésből szükség esetén törölje a személyes adatokat.



HIBAE LHÁRÍTÁS

Probléma	Lehetséges ok	Megoldás
Zajos üzemelés.	<ol style="list-style-type: none"> 1. Nem megfelelő szalagfeszesség. 2. Az orsó száraz. 3. Az orsócsiga laza. 4. A motorcsiga laza. 	<ol style="list-style-type: none"> 1. Állítsa be a feszességet. Tekintse meg a „Szalagfeszesség” című szakaszt. 2. Kenje meg az orsót. Tekintse meg a „Kenés” című szakaszt. 3. Ellenőrizze a csigán lévő tartóanya feszességét és, szükség esetén, szorítsa meg. 4. Szorítsa meg a motorcsigában lévő beállítócsavart.
A fűrészár éget.	<ol style="list-style-type: none"> 1. Nem megfelelő sebesség. 2. A forgács nem jön ki a lyukból. 3. A fűrészár tompa. 4. A mozgás túl lassú. 5. Nincs kenés. 	<ol style="list-style-type: none"> 1. Módosítsa a sebességet. Tekintse meg „A szalag sebességének és helyének módosítása” című szakaszt. 2. Húzza vissza gyakran a fűrőt a forgácsok eltakarításához. 3. Élezze meg a fűrészárát vagy helyezzen be egy újat. 4. Mozgassa elegendő sebességgel – hagyja, hogy a fűrő vágjon. 5. Kenje meg a fűrőt. Tekintse meg a „Mozgatás” című szakaszt.
A pontfűrészal készített lyuk nem kerek.	<ol style="list-style-type: none"> 1. Kemény részek a fában, vagy a vágási útvonal hossza és/vagy szögei nem egyenlők. 2. A fűrészár elgörbült. 	<ol style="list-style-type: none"> 1. Élezze meg megfelelően a fűrészárát. 2. Cseréljen fűrészárát.
Fa forgácsok az alsó oldalon.	<ol style="list-style-type: none"> 1. Nincs biztonsági anyagdarab a munkadarab alatt. 	<ol style="list-style-type: none"> 1. Használjon egy biztonsági anyagdarabot. Tekintse meg az „Üzemeltetés” című szakaszt.
A gép kitépi a munkadarabot a kézből.	<ol style="list-style-type: none"> 1. A munkadarab nincs megfelelően megtámasztva vagy rögzítve. 	<ol style="list-style-type: none"> 1. Támassza meg a munkadarabot vagy rögzítse. Tekintse meg az „Üzemeltetés” című szakaszt.
A fűrészár elakad a munkadarabban.	<ol style="list-style-type: none"> 1. A fűrészár megszorul a munkadarabban, vagy túl nagy a mozgatási nyomás. 2. Nem megfelelő szalagfeszesség. 	<ol style="list-style-type: none"> 1. Támassza meg a munkadarabot vagy rögzítse. Tekintse meg az „Üzemeltetés” című szakaszt. 2. Állítsa be a feszességet. Tekintse meg a „Szalagfeszesség” című szakaszt.
A fűrészár nem központos vagy inog.	<ol style="list-style-type: none"> 1. A fűrészár elgörbült. 2. A csapágyak kopottak. 3. A fűrészár nincs megfelelően behelyezve a tokmánya. 4. A tokmány nincs megfelelően felszerelve. 	<ol style="list-style-type: none"> 1. Használjon egyenes fűrészárát. 2. Cserélje le a csapágyakat. 3. Szerelje fel megfelelően a fűrőt. Tekintse meg az „Üzemeltetés” és az „Összeszerelés és beállítások” című szakaszt. 4. Szerelje fel megfelelően a tokmányt. Tekintse meg „A tokmány felszerelése” című szakaszt.
A segédorsó túl lassan vagy túl gyorsan tér vissza.	<ol style="list-style-type: none"> 1. A rugó feszessége nem megfelelő. 	<ol style="list-style-type: none"> 1. Állítsa be a rugó feszességét. Tekintse meg a „Segédorsó-visszatérítő rugó” című szakaszt.
A tokmány nem marad az orsóhoz csatlakoztatva. Leesik, amikor megpróbálja felszerelni.	<ol style="list-style-type: none"> 1. Szennyeződés, zsiradék vagy olaj van a tokmány ferde belső felületén vagy az orsó ferde felületén. 	<ol style="list-style-type: none"> 1. Nem alkohol-alapú tisztítószerrel tisztítsa meg a tokmány és az orsó ferde felületét, hogy eltávolítsa minden szennyeződést, zsiradékot és olajat. Tekintse meg „A tokmány felszerelése” című szakaszt.

DESCRIERE

1. Carcasă ansamblu superior
2. Masă
3. Talpă
4. Cremalieră
5. Ansamblu coloană
6. Inel de fixare cremalieră
7. Măner de acționare
8. Angrenaj cremalieră
9. Manetă de blocare masă
10. Manetă de acționare cremalieră
11. Șuruburi cu cap hexagonal
12. Mandrină
13. Cheie de mandrină
14. Cheie inbus de 4 mm
15. Cheie inbus de 3 mm
16. Șurubelniță cu cap cruce
17. Cheie reglabilă
18. Cheie fixă de 12 mm
19. Ciocan cu capete de cauciuc
20. Vinclu reglabil mic cu nivelă
21. Bucată de lemn
22. Motor
23. Orificiu fascicul laser
24. Resort revenire
25. Suport masă
26. Capac sistem de transmisie
27. Întrerupător pornire/oprire
28. Întrerupător laser
29. Protecție superioară
30. Gaură de montare
31. Șurub blocare ansamblu superior
32. Buton rotativ de blocare întinzător curea
33. Suport pentru cheia de mandrină
34. Roata de angrenare a arborelui
35. Roata de angrenare a motorului
36. Suport masă
37. Orificiu pentru axul angrenajului cremalierei
38. Inel de fixare coloană
39. Șurub de reglare
40. Ansamblu superior
41. Șurub de blocare ansamblu superior
42. Orificii filetate
43. Ax manetă acționare
44. Ax
45. Șurub x 2 (M12, nu este inclus)
46. Șaibă de blocare x 4 (Dia. 12mm, nu este inclusă)
47. Șaibă de cauciuc x 2 (Dia. 12mm, nu este inclusă)
48. Șaibă plată x 2 (Dia. 12mm, nu este inclusă)
49. Contrapiuliță x 2 (M12, nu este inclusă)
50. Piuliță hexagonală x 2 (M12, nu este inclusă)
51. Banc de lucru
52. Scală de înclinare
53. Șurub de blocare înclinare masă
54. Piuliță
55. Piuliță de blocare
56. Șuruburi
57. Crestătură frontală inferioară
58. Carcasă resort readucere
59. Contrapiuliță
60. Piuliță interioară
61. Crestătură
62. Bosaj
63. Fălci mandrină
64. Burghiu de găurire
65. Adâncime
66. Indicatorul scalei gradate pentru adâncimea de găurire
67. Scală de adâncime
68. Piuliță superioară
69. Piuliță inferioară
70. Oprit
71. Piesă de prelucrat



La proiectarea bormașinii dvs. de banc s-au avut în vedere în primul rând siguranța, performanța și fiabilitatea în exploatare.

DOMENIU DE APLICAȚII

Bormașina este destinată găuririi lemnului, plasticului, aluminiului și oțelului.

Produsul trebuie utilizat doar de operatori adulți, care au citit manualul de instrucțiuni și înțeleg riscurile și pericolele de accidentare.

Acest produs trebuie fixat pe un banc de lucru solid. Dacă baza mașini nu este fixată ferm, acesta va avea tendința să se încline, să alunece sau să se deplaseze pe suprafața de sprijin în timpul operării, ceea ce crește probabilitatea de rănire gravă.

Produsul trebuie folosit în medii uscate, cu lumină și ventilație adecvată.

Produsul este destinat pentru uz comercial și trebuie folosit doar așa cum este descris mai sus și pentru niciun alt scop.

AVERTIZĂRI DE SIGURANȚĂ GENERALE PENTRU APARAT

⚠️ AVERTISMENT

Citiți, cu atenție, toate avertismentele, instrucțiunile și specificațiile furnizate împreună cu aparatul, și consultați ilustrațiile. Nerespectarea instrucțiunilor prezentate în continuare poate provoca accidente cum ar fi incendii, electrocutare și/sau vătămări corporale grave.

Salvați toate avertizările și instrucțiunile pentru o consultare ulterioară. Termenul „unealtă electrică” din avertizări se referă la unealta dvs. electrică alimentată la curent (cu fir) sau la baterie (fără fir).

SIGURANȚA ZONEI DE LUCRU

- **Mentțineți curată și bine iluminată zona de lucru.** Zonele dezordonate și întunecate prezintă pericol de accidente.
- **Nu operați cu unealta electrică în atmosfere explozive, precum în prezența lichidelor, gazelor sau a prafului inflamabil(e).** Unelele electrice creează scânteii care pot aprinde praful sau vaporii.
- **Țineți copiii și persoanele din jur la distanță în timpul operării unei uneelte electrice.** Distragerea atenției vă poate face să pierdeți controlul.

SIGURANȚĂ ELECTRICĂ

- **Ștecărele uneltelor electrice trebuie să se potrivească cu priza.** Nu modificați niciodată ștecărul în nici un fel. Nu folosiți niciodată adaptoare de ștecăr cu unelele electrice cu împământare. Ștecărele nemodificate și prizele potrivite reduc riscul de electrocutare.
- **Evitați contactul corpului cu suprafețele**

conectate la împământare, precum țevi, radiatoare, reșouri, mașini de gătit și frigider. Există un risc crescut de electrocutare când corpul dumneavoastră are contact cu împământarea.

- **Nu expuneți unelele electrice la ploaie sau umezeală.** Apa care intră într-o unealtă electrică va crește riscul de electrocutare.
- **Nu forțați cablul. Nu trageți niciodată unealta electrică de cablul de alimentare pentru a o transporta, a o trage sau a scoate ștecărul din priză.** Țineți cordonul la distanță de căldură, ulei, mυχii ascuțiți sau piese în mișcare. Cablurile deteriorate sau incurcate cresc riscul de electrocutare.
- **Atunci când lucrați cu o unealtă electrică în aer liber, folosiți un prelungitor adecvat pentru utilizarea în aer liber.** Folosirea unui prelungitor adecvat pentru utilizarea în aer liber reduce riscul de electrocutare.
- **În cazul în care operarea uneltelor electrice într-o zonă umedă nu poate fi evitată, folosiți o alimentare protejată cu un dispozitiv de curent rezidual (RCD).** Utilizarea unui RCD reduce riscul de electrocutare.

SIGURANȚĂ PERSONALĂ

- **Fiți atenți, observați ceea ce faceți și folosiți-vă simțul practic la utilizarea unei uneelte. Nu folosiți unealta în timp ce sunteți obosit sau sub influența drogurilor, a alcoolului sau a medicamentelor.** Un moment de neatenție în timpul operării uneltelor electrice poate cauza vătămare personală gravă.
- **Purtați echipament de protecție personală. Purtați întotdeauna ochelari de protecție.** Utilizarea echipamentelor de protecție, cum ar fi măști pentru praf, pantofi anti-derapanți sau protecții pentru auz conform condițiilor specifice de lucru ajută la evitarea pericolelor de răniri personale.
- **Evitați pornirea accidentală. Asigurați-vă că pistolul este oprit înainte de a-l conecta la rețea, înainte de a introduce bateria, înainte de a-l ridica sau transporta.** Transportarea uneltelor electrice cu degetul pe trăgaciul declanșator sau alimentarea uneltelor cu butonul de pornire apăsat constituie cauze frecvente ale accidentelor.
- **Îndepărtați orice cheie de reglare înainte de a porni unealta.** O cheie sau rămasă atașată de o piesă rotativă a unelei electrice poate cauza vătămări corporale.
- **Nu vă întindeți excesiv. În timpul operării dispozitivului, păstrați-vă în permanență echilibrul și stabilitatea.** Acest lucru permite un mai bun control al unelei electrice în situații neașteptate.
- **Îmbrăcați-vă coresponsător. Nu purtați haine largi sau bijuterii. Păstrați-vă părul și îmbrăcămintea departe de piesele în mișcare.** Hainele largi, bijuteriile sau părul lung pot fi prinse de piesele aflate în mișcare.
- **Dacă dispozitivele sunt echipate cu conectori**



pentru accesorii de colectare a prafului, asigurați-vă că acestea sunt conectate și utilizate adecvat. Utilizarea accesoriilor de colectare a prafului poate reduce pericolele provocate de praful.

- **Obişnuința dobândită prin utilizarea frecventă a uneltelor nu trebuie să vă facă neglijent sau să vă determine să ignorați principiile de siguranță privind uneltele.** O neglijență poate provoca răni grave într-o fracțiune de secundă.

FOLOSIREA ȘI ÎNTREȚINEREA UNELTEI ELECTRICE

- **Nu forțați unealta.** Folosiți produsul corect pentru aplicația dvs. Produsul corect va îndeplini sarcina mai bine și mai în siguranță la un ritm pentru care a fost proiectat.
- **Nu folosiți unealta electrică dacă comutatorul nu o poate porni și opri.** Orice unealtă electrică, care nu poate fi controlată cu comutatorul este periculoasă și trebuie reparată.
- **Înainte de a efectua reglaje, de a schimba accesoriile sau de a depozita o unealtă electrică, deconectați ștecherul de la rețea și/ sau acumulatorul de la unealtă.** Aceste măsuri preventive reduc riscul de pornire accidentală a produsului.
- **Nu lăsați uneltele electrice la îndemâna copiilor și nu permiteți persoanelor nefamiliarizate cu unealta electrică sau cu aceste instrucțiuni să folosească unealta.** Uneltele electrice sunt periculoase în mâinile utilizatorilor neinstruiți.
- **Efectuați regulat lucrări de întreținere a uneltelor electrice și accesoriilor acestora.** Verificați alinierea sau lipirea pieselor în mișcare, spargerea pieselor, precum și orice altă condiție care poate afecta funcționarea uneltei. Dacă este deteriorată, trimiteți unealta în service înainte de utilizare. Multe accidente sunt cauzate de unelte întreținute necorespunzător.
- **Păstrați uneltele de tăiere ascuțite și curate.** Uneltele de tăiere întreținute adecvat și care au muchii tăietoare bine ascuțite prezintă mai puține riscuri de încovoiere și sunt mai ușor de controlat.
- **Utilizați produsul și accesoriile sale în conformitate cu aceste instrucțiuni, luând în considerare condițiile de lucru și operațiile pe care le realizați.** Utilizarea uneltei electrice pentru alte operații decât cele preconizate poate duce la situații periculoase.
- **Păstrați mânerul și suprafețele de prindere uscate, curate și fără urme de ulei sau unsoare.** Mânerul și suprafețele de prindere alunecoase nu permit mânăuirea în siguranță și controlul uneltei în situații neașteptate.

OPERAȚII DE SERVICE

- **Solicitați efectuarea lucrărilor de service la unealta dvs. electrică numai de către o persoană calificată în reparații, folosind numai piese de schimb identice.** Acest lucru va asigura păstrarea

în siguranță a uneltei electrice.

AVERTISMENTE DE SIGURANȚĂ PRIVIND BORMAȘINA DE BANC

- **Mașina de găurit trebuie securizată.** Mașina de găurit care nu este bine asigurată se poate mișca sau răsturna și poate cauza răniri de persoane.
- **Piesa de lucru trebuie prinsă în menghină sau pe suportul pentru piesa de lucru. Nu găuriți piese care sunt prea mici ca să fie fixate în mod sigur.** Ținerea piesei de lucru cu mâna în timpul operației de găurire poate să cauzeze rănirea personală.
- **A nu se purta mănuși.** Mănușile se pot agăța în piesele rotative sau pot fi agățate de șpan ceea ce duce la rănire.
- **Țineți mâinile departe de zona de găurire în timpul funcționării mașinii.** Contactul cu piesele rotative ale mașinii poate cauza rănire personală.
- **Asigurați-vă că accesoriul se rotește, înainte să introduceți piesa de lucru.** În caz contrar, accesoriul se poate bloca în piesa de lucru determinând deplasarea bruscă a piesei de lucru și rănirea persoanelor din jur.
- **Când accesoriul este blocat, nu mai aplicați presiune în jos și opriți mașina. Verificați și luați măsurile de corecție necesare pentru a elimina cauza blocării.** Blocarea mașinii poate cauza deplasarea bruscă a piesei de lucru și rănirea persoanelor din jur.
- **Evitați apariția șpanurilor lungi prin întreruperea cu regularitate a presiunii descendente.** Șpanurile ascuțite de metal se pot încurca și cauze rănire personală.
- **Nu îndepărtați niciodată șpanul din zona de găurire în timp ce mașina funcționează. Pentru a se scoate șpanurile, îndepărtați accesoriul de lângă piesa de lucru, opriți mașina și așteptați ca accesoriul să se oprească din mișcare. Folosiți unelte precum o perie sau un cârlig, pentru a scoate șpanurile.** Contactul cu piesele rotative ale mașinii poate cauza rănire personală.
- **Accesoriile cu anumiți parametri de viteză de lucru trebuie să aibă valoarea nominală cel puțin egală cu valoarea maximă a vitezei de lucru de pe mașina de găurit.** Accesoriile care funcționează la o viteză mai mare decât viteza lor nominală se pot rupe și pot fi aruncate.
- **Păstrați burghiile curate și ascuțite.** Burghiile ascuțite reduc posibilitatea de blocare în material. Burghiile boante și murdare pot cauza mișcarea materialului găurit, ceea ce poate conduce la rănirea operatorului.
- **Păstrați mâinile departe de zona de lucru.** Păstrați mâinile departe de burghiu. Nu purtați îmbrăcăminte largă, bijuterii, părul lung liber, etc. Acestea se pot agăța de burghiu.
- **Fixați întotdeauna piesa în lucru de masă sau de coloana mașinii pentru a evita rotirea acesteia.** Nu țineți niciodată cu mâna de piesă în timpul

găuriri.

- **Utilizați turația de găurire recomandată pentru tipul de burghiu și materialul de găurit.**
- **Asigurați-vă că burghiul sau instrumentul de tăiere este blocat în mandrină.**
- **Asigurați-vă că ați scos cheia de mandrină din acesta înainte de a conecta alimentarea sau a porni mașina.**
- **Reglați masa de găurire sau opritorul de adâncime a găurii pentru a evita găurirea mesei.** Opriți alimentarea, scoateți burghiul și curățați masa de găurire înainte de a pleca de lângă mașina.
- **Evitați expunerea directă a ochilor când utilizați ghidul de laser.**
- **Asigurați-vă întotdeauna că raza laser este îndreptată spre o suprafață care nu permite reflexia.** Materialele reflectorizante nu sunt adecvate pentru utilizarea laserului.
- **Nu țineți niciodată degetele într-o poziție care ar putea permite contactul cu burghiul în cazul unei deplasări neașteptate a piesei găurite.**
- **Nu efectuați niciodată o operație fără ca ansamblul superior și masa de găurire să fie aliniate unul cu celălalt.** Nu apăsați comutatorul de pornire și nici nu efectuați vreo operație înainte de a verifica dacă maneta de blocare a ansamblului superior și cea a mesei sunt strânse pe coloană, iar colierele acestora sunt corect poziționate.
- **Înainte de acționa comutatorul de pornire, asigurați-vă că protecția curelei și mandrina sunt poziționate corect.**
- **Comutatorul de pornire trebuie să fie în poziția oprit când plecați de lângă bormașină.** Nu efectuați trasări, asamblări sau reglaje asupra piesei de lucru pe masa de găurire în timpul rotirii instrumentului de tăiere, cu mașina pornită sau conectată la alimentare.
- **Dacă cordonul de alimentare electrică este deteriorat, acesta trebuie înlocuit de către producător sau de către un centru de service autorizat pentru a evita riscurile.**
- **Depozitați uneltele inactice.** Când nu este utilizată, unealta trebuie depozitată într-un loc uscat prevăzut cu incuietoare și nu trebuie lăsată la îndemâna copiilor.
- Se recomandă ca mașina să fie furnizată întotdeauna cu un dispozitiv de curent rezidual cu o valoare a curentului rezidual de 30mA sau mai mică.
- **Păstrați aceste instrucțiuni.** Consultați-le frecvent și folosiți-le pentru a instrui alți utilizatori. Dacă împrumutați această sculă unei alte persoane, împrumutați-i de asemenea și aceste instrucțiuni.

SIGURANȚĂ LASER

- **Radiațiile laser utilizate în cadrul produsului sunt de Clasă 2 cu maximum =1mW și lungime de undă de 650nm.** Nu priviți direct în raza laser. Neurmarea acestor reguli poate rezulta în vătămare personală

gravă.

- Nu priviți în rază în timpul funcționării.
- Nu proiectați raza laser direct în ochii altor persoane. Pot rezulta leziuni oculare grave.
- Nu amplasați laserul într-o poziție în care se poate privi în fascicul intenționat sau neintenționat.
- Nu utilizați instrumente optice pentru a vizualiza raza laser.
- Nu folosiți laserul în preajma copiilor și nu permiteți copiilor să opereze cu laserul.
- Nu încercați să reparați dispozitiv cu laser de unul singur.
- Nu încercați să schimbați nicio piesă a dispozitivului laser.
- Orice reparații trebuie să fie efectuate numai de către producătorul laserului sau de către agent de service autorizat.
- Nu înlocuiți laserul cu un alt laser, de alt tip.

RISCURI REZIDUALE

Chiar dacă produsul este folosit așa cum este descris, este totuși imposibil să se elimine complet anumiți factori de risc reziduali. Operatorul trebuie să acorde o atenție specială și suplimentară la aceste puncte pentru a reduce riscul de vătămare personală gravă.

- **Vătămare a auzului.** – Purtați protecție pentru uz corespunzătoare și limitați expunerea.
- **Vătămare a ochilor** – Purtați ochelari de protecție cu apărătoare laterală atunci când folosiți acest produs.
- **Vătămare cauzată de vibrații.** - Limitați expunerea și urmați instrucțiunile de reducere a riscurilor din acest manual.
- **Vătămare a respirației datorată prafului creat prin operarea produsului.** – Purtați protecție corespunzătoare în funcție de tipul prafului.

⚠ AVERTISMENT

Anumite prafuri generate în operațiile de șlefuire, tăiere, găurire și alte activități din construcții conțin produse chimice ce pot fi cancerigene sau pot provoca malformații congenitale sau probleme de fertilitate. Iată câteva exemple de astfel de produse chimice:

- plumbul, în vopselele cu plumb,
- cristalele de siliciu ce se găsesc în anumite cimenturi, cărămizi și alte produse de zidărie,
- arsenicul și cromul care se găsește în lemnul tratat chimic.

Riscurile legate de aceste produse variază în funcție de frecvența tipului de lucru respectiv. Pentru a reduce expunerea la aceste substanțe chimice, lucrați într-un mediu bine aerisit, cu material de protecție omologat, cum ar fi măști antipraf concepute special pentru a filtra particulele microscopice.

ASPECTE ELECTRICE

Utilizați doar cabluri de racord cu 3 fire care dispune de fișe cu împământare cu 3 știfturi și prize de curent cu 3 poli care acceptă fișa produsului. Atunci când utilizați o unealtă electrică la o distanță considerabilă de sursa de alimentare, utilizați un cordon de racord suficient de rezistent pentru a permite transportul curentului necesar operării uneltei. Un cordon de racord cu o dimensiunea mai mică decât cea necesară va cauza o cădere în tensiune de linie, rezultând într-o pierdere de energie și conducând la supraîncălzirii motorului.

Înainte de utilizarea unui prelungitor pentru cablul de alimentare, inspectați-l pentru a nu prezenta fire expuse sau slăbite și izolație crăpată sau cu tăieturi.

⚠️ AVERTISMENT

Îndepărtați prelungitorul de zona de lucru. Poziționați cablul de alimentare, astfel încât să nu fie prins pe lemn, unelte sau alte obstacole în timp ce lucrați cu o unealtă electrică. Nerespectarea acestei măsuri poate avea ca rezultat răniri corporale grave.

⚠️ AVERTISMENT

Verificați cordoanele de racord înainte de fiecare utilizare. În caz de deteriorare înlocuiți imediat. Nu utilizați niciodată unealta cu un cordon deteriorat, deoarece atingerea zonei deteriorate poate cauza șoc electric ce poate conduce la rănirea gravă.

CONEXIUNEA ELECTRICĂ

Acest produs are încorporat un motor electric de precizie. Trebuie conectat doar la o sursă de alimentare de 220~240V, c.a. (curentul menajer obișnuit), 50 Hz. Nu utilizați acest produs la curent continuu (c.c.). O cădere substanțială de tensiune va conduce la o pierdere de putere, iar motorul se va supraîncălzi. Dacă aparatul nu funcționează când este conectat la priză, verificați dacă încă o dată sursa de alimentare.

VITEZĂ ȘI CABLAJ

Această viteză nu este constantă și se micșorează în prezența unei sarcini sau a unei tensiuni mai reduse. Pentru tensiune, cablajul într-un atelier este la fel de important ca puterea nominală a motorului. O linie destinată exclusiv iluminatului nu poate suporta în mod corespunzător motorul unei scule electrice. Firului care este suficient de rezistent pentru o distanță scurtă îi va lipsi rezistența pentru o distanță mai lungă. Este posibil ca o linie ce suportă o sculă electrică să nu suporte două sau trei scule.

INSTRUCȚIUNI PRIVIND ÎMPĂMÂNTAREA

În cazul unei defecțiuni sau avarii, împământarea asigură o cale rezistență minimă pentru curentul electric, reducând astfel riscul producerii de șocuri electrice. Acest produs este echipat cu un cordon

electric care dispune de un conductor împământat și o fișă de legare la masă. Fișa trebuie conectată la o priză corespunzătoare care trebuie să fi e instalată și împământată conform codurilor și ordonanțelor locale.

Nu modificați cați fișă furnizată. În cazul în care nu se potrivește în priză, asigurați-vă că priză este instalată de către un electrician calificat. Conectarea necorespunzătoare a legăturii de împământare a echipamentului poate duce la electrocutare. Conectorul de împământare are izolația de culoare verde cu sau fără dungi galbene. Dacă sunt necesare reparația sau înlocuirea cordonului de alimentare sau a ștecherului, aveți grijă să nu conectați firul de împământare la un conector sub tensiune.

Reparați sau înlocuiți imediat un cablu deteriorat sau uzat.

ACCESORII RECOMANDATE

⚠️ AVERTISMENT

Utilizați doar accesoriile recomandate pentru acest produs.

Urmați instrucțiunile livrate odată cu accesoriile. Utilizarea accesoriilor inadecvate poate conduce la pericole.

- Burghiu de găurire
- Cleme de fixare
- Menghină pentru bormașină de banc

⚠️ AVERTISMENT

Utilizați doar accesoriile concepute pentru acest produs pentru a evita rănirea cauzată de ruperea pieselor echipamentului sau distrugerea piesei de lucru.

Nu folosiți un accesoriu înainte de a citi instrucțiunile din acest manual referitoare la acesta.

CONȚINUTUL AMBALAJULUI

DESFACEREA AMBALAJULUI ȘI VERIFICAREA CONȚINUTULUI

⚠️ AVERTISMENT

Dacă lipsesc piese din pachet sau sunt deteriorate, nu introduceți produsul în priză înainte de a le repara sau înlocui și a asambla complet produsul.

Scoateți cu atenție produsul și piesele componente din ambalaj și verificați-le comparându-le cu lista de mai jos.

Pentru a proteja produsul împotriva umezelii, părții prelucrate ale mașinii au fost vopsite cu un strat de protecție. Îndepărtați acest strat folosind o lavetă îmbibată cu kerosen sau WD-40.

⚠️ AVERTISMENT

Pentru a evita aprinderea sau o reacție toxică, nu folosiți benzină, acetonă, diluant sau alți solvenți similari volatili pentru a curăța produsul.

Aplicați un strat de lubrifiant peste masa de găurire, coloană și suprafețele prelucrate ale bazei pentru a preveni ruginirea. Ștergeți toate piesele cu o lavetă uscată.

Articol	Descriere	Cant
1	Carcasă ansamblu superior	1
2	Masă	1
3	Talpă	1
4	Cremalieră	1
5	Ansamblu coloană	1
6	Inel de fixare cremalieră	1
7	Mâner de acționare	3
8	Angrenaj cremalieră	1
9	Manetă de blocare masă	1
10	Manetă de acționare cremalieră	1
11	Șuruburi cu cap hexagonal	3
12	Mandrină	1
13	Cheie de mandrină	1
14	Cheie inbus de 4 mm	1
15	Cheie inbus de 3 mm	1

ASAMBLARE ȘI REGLAJE**⚠️ AVERTISMENT**

Pentru siguranța dvs., nu introduceți ștecherul în priză înainte de a parcurge toate etapele de asamblare și a citi și înțelege instrucțiunile de siguranță și operare.

⚠️ AVERTISMENT

Produsul este un utilaj greu și trebuie ridicat de două sau mai multe persoane pentru a putea fi asamblat în siguranță.

MONTAREA COLOANEI PE BAZĂ

A se vedea figura 5.

- Plasați baza pe o suprafață plană și stabilă.
- Aliniați găurile pentru șuruburi din bază și bucașa de fixare a coloanei.
- Introduceți câte un șurub în fiecare din găuri.
- Strângeți fiecare șurub folosind o cheie reglabilă.

MONTAREA MESEI PE ANSAMBLUL COLOANEI

A se vedea figura 6 - 10.

- Introduceți maneta de blocare a sistemului de glisare al mesei în orificiul filetat din partea din spate a ansamblului.
NOTĂ: Introduceți maneta de la stânga la dreapta, astfel încât să traverseze întâi orificiul nefiletat din ansamblu.
- Introduceți angrenajul cu ax prin gaura mecanismului de glisare. Asigurați-vă că dinții axului angrenajului sunt aliniați cu cei din interior.
NOTĂ: Nu ștergeți lubrifiantul de pe angrenaj.
- Introduceți în ansamblu cremaliera cu dinții spre exterior și partea prelucrată mai lungă în sus. Axul angrenajului trebuie aliniat cu cremaliera.
- Utilizând ambele mâini, glisați ansamblul format fin masă și cremalieră peste coloană până când baza cremalierii atinge bucașa de fixare din partea de jos a coloanei.
NOTĂ: Nu strângeți maneta de blocare pentru a fixa ansamblul pe coloană.
- Strângeți maneta de blocare pentru a fixa ansamblul pe coloană.
NOTĂ: Nu strângeți exagerat.
- Introduceți inelul de blocare a ansamblului, cu reglajul de înclinare în jos, până când atinge partea planată a ansamblului.
- Strângeți șurubul de reglare al inelului utilizând cheia inbus hexagonală. Pentru a evita deteriorarea coloanei sau a inelului de fixare nu strângeți exagerat șurubul de reglare.
NOTĂ: În acest moment ar trebui să puteți mișca masa dintr-o parte în alta.
- Montați manivela glisierii pe axul de angrenare cu partea plată a axului aliniată cu șurubul de reglare.
- Strângeți șurubul de reglare utilizând cheia inbus hexagonală.

MONTAREA ANSAMBLULUI SUPERIOR

A se vedea figura 11.

⚠️ AVERTISMENT

Ansamblul superior al bormașinii este greu și ar trebui ridicat de două persoane pentru a-l monta în siguranță pe coloană.

- Poziționați ansamblul superior pe coloană, cu mandrina deasupra mesei.
NOTĂ: Produsul este greu. Dacă este nevoie solicitați ajutor.
- Apăsăți ansamblul superior cât puteți de mult. Aliniați ansamblul mesei cu baza și strângeți cele două șuruburi de reglare cu cheia hexagonală.

MONTAREA MÂNERELOR DE ACȚIONARE

A se vedea figura 12.

- Atașați cele trei mânere prin înșurubare în găurile filetate din butuc.

MONTAREA MANDRINEI

A se vedea figura 13 - 15.

⚠️ AVERTISMENT

Înainte de montarea mandrinei pe axul bormașinii curățați toate suprafețele ce vor intra în contact cu un produs care nu conține substanțe petroliere. De pe aceste piese trebuie îndepărtate orice urme de lubrifiant sau ulei. În caz contrar mandrina se poate slăbi în timpul utilizării.

1. Curățați orificiul conic din mandrină cu o lavetă curată și lichid de curățare fără alcool. Ștergeți toate urmele de ulei sau murdărie cu atenție.
2. Curățați conul arborelui bormașinii în același mod.
NOTĂ: Asigurați-vă că pe suprafețe nu sunt lipite particule străine. Cea mai mică urmă de murdărie sau ulei pe aceste suprafețe poate împiedica fixarea corespunzătoare a mandrinei. Acest fapt poate duce la oscilarea mandrinei și a burghiului.
3. Plasați mandrina pe arbore. Mandrina trebuie să fie deschisă la maxim pentru a nu se deteriora fălcile la montaj.
4. Deblocați masa și rotiți-o în afara mandrinei.
5. Inserați mandrina pe ax împingând-o la maxim.
6. Utilizând o bucată de lemn pentru protecție, bateți mandrina pe poziție folosind un ciocan.

⚠️ PRECAUȚIE

Risc de deteriorare. Pentru a nu deteriora mandrina, nu o loviți direct cu un ciocan de metal.

DEMONTAREA MANDRINEI

1. Rotiți de mânerule de acționare până când aduceți mandrina în poziția inferioară maximă.
2. Plasați un extractor de articulații (nu este ilustrat în figură) deasupra mandrinei și loviți-l ușor cu un ciocan cu capete de cauciuc pentru a scoate mandrina de pe conul arborelui.
NOTĂ: Nu loviți niciodată direct în mandrină cu ciocanul.

NOTĂ: Pentru a evita deteriorarea mandrinei, deschideți-o complet și fiți pregătit să o prindeți când se desprinde.

MONTAREA BORMAȘINII DE BANC PE SUPRAFAȚA DE LUCRU

A se vedea figura 16.

Dacă produsul va fi utilizat la o locație permanentă, fixați-l pe bancul de lucru sau pe altă suprafață stabilă. Dacă produsul va fi utilizat ca instrument portabil, este recomandat să îl fixați permanent pe o placă de montaj care poate fi fixată ușor cu cleme pe bancul de lucru sau pe altă suprafață stabilă. Placa de montaj trebuie să aibă dimensiuni suficiente de mari pentru a evita înclinarea produsului în timpul utilizării. Este

recomandată folosirea unei plăci din PAL cu grosimea de 19 mm (3/4").

1. Marcați găurile pe suprafața unde va fi fixată bormașina utilizând baza acesteia ca șablon.
2. Găuriți suprafața de montare.
3. Plasați bormașina pe suprafața de fixare aliniind găurile din bază cu cele din suprafața de fixare.
4. Inserați șuruburile de fixare (nu sunt incluse) și strângeți-le utilizând șaibe de blocare și piulițe hexagonale (nu sunt incluse).

Dacă folosiți holșuruburi cu cap hexagonal pentru fixarea bazei pe placa de montaj, asigurați-vă ca au o lungime suficientă pentru a intra în placa de montaj. Dacă folosiți șuruburi cu cap hexagonal pentru fixarea bazei pe placa de montaj, asigurați-vă ca au o lungime suficientă pentru a intra în placa de montaj și pentru a prelua șaibele și piulițele de fixare.

NOTĂ: Toate capetele șuruburilor trebuie să fie în partea de sus. Montați șaibele și piulițele pe sub banc.

După ce ați fixat în siguranță produsul pe o suprafață fermă:

1. Verificați să nu existe vibrații când este pornit motorul.
2. Reglați și restrângeți sistemul de fixare dacă este necesar.
3. Verificați ca mecanismul de glisare al mesei să culiseze lin în sus și în jos pe coloană.
4. Asigurați-vă că arborele bormașinii se rotește lin.

SUPORTUL PENTRU CHEIA DE MANDRINĂ

A se vedea figura 17.

Suportul pentru cheia de mandrină se află pe partea dreaptă a bormașinii.

GĂURIREA LA UNGHI

A se vedea figura 18.

NOTĂ: Mașina este echipată cu o scală gradată pentru a măsura unghiurile aproximative de înclinare. Dacă este necesară o poziționare la unghi exactă, trebuie utilizat un vinclu sau alt instrument de măsură pentru a poziționa masa. Pentru a utiliza scala gradată de înclinare:

1. Rotiți în sens orar piulița bolțului filetat de blocare utilizând o cheie de 10 mm sau o cheie reglabilă pentru a-l deșuruba din suport. Acest bolț filetat va fi necesar când se va readuce masa în poziția normală de lucru, la 0 grade. Nu îl aruncați.
2. Slăbiți șurubul mare cu cap hexagonal de blocare a unghiului utilizând o cheie fixă de 17 mm sau o cheie reglabilă.
3. Înclinați masa, aliniind unghiul de înclinare dorit cu linia de zero din partea opusă gradației de pe scală.
4. Strângeți șurubul de blocare a înclinării mesei.
5. Pentru a readuce masa în poziția inițială, slăbiți șurubul de blocare a mesei. Readuceți masa în poziția de 0°.
6. Readuceți piulița pe bolțul filetat de blocare la capătul filetului. Loviți ușor în bolț utilizând un ciocan

de cauciuc până când intră în locașul său din suport. Strângeți piulița.

NOTĂ: Masa nu a fost inclusă în imagine pentru claritate.

⚠️ AVERTISMENT

Pentru a evita rănirea personală, scoateți aparatul din priză întotdeauna atunci când faceți reglaje.

ARBORE/AX CU CANAL DE PANĂ

A se vedea figura 20.

Rotiți de mânerule de acționare în sens antiorar pentru a coborî arborele în poziția inferioară maximă. Apucați mandrina și deplasați-o înainte și înapoi. Dacă constatați un joc excesiv, realizați următoarele reglaje:

- Slăbiți piulița de blocare din partea dreaptă a produsului utilizând o cheie de 10 mm.
- Rotiți șurubul în sens orar pentru a elimina jocul utilizând o șurubelniță cu cap drept, fără a obstrucționa însă deplasarea pe verticală a arborelui. (Un joc mic în arbore este normal.)
- Strângeți piulița de blocare.

RESORTUL DE REVENIRE A ARBORELUI

A se vedea figura 21.

Reglarea resortului de revenire a arborelui ar putea fi necesară dacă viteza de revenire a acestuia este prea mare sau prea mică. Acesta este localizat în partea stângă a ansamblului superior.

- Coborâți masa pentru a avea acces mai facil.
- Introduceți o șurubelniță în canelura frontală inferioară din capacul resortului. Mențineți-o pe poziție și îndepărtați numai piulița exterioră cu o cheie fixă de 10 mm.
- Mențineți șurubelnița în orificiu și slăbiți piulița interioară până când canelura se detașează de bosajul ansamblului superior.
NOTĂ: Nu îndepărtați această piuliță interioară, deoarece resortul se va destinde.
- Rotiți cu atenție capacul resortului în sens antiorar cu șurubelnița până ajungeți la canelura următoare.
- Coborâți arborele în poziția cea mai de jos prin rotirea mânerului de acționare în sens antiorar, menținând capacul resortului pe poziție.
- Dacă arborele se deplasează în sus și în jos așa cum doriți, strângeți piulița interioară pe capacul resortului și apoi strângeți capacul cu cheia fixă. Dacă este cazul, repetați pașii 3 - 5 pentru a tensiona resortul suplimentar. Dacă doriți să reduceți tensiunea, repetați pașii 4 și 5 în ordine inversă.
- Apropiati piulița exterioră de cea interioară cu ajutorul cheii.

NOTĂ: Nu strângeți excesiv pentru a nu restricționa mișcarea arborelui.

TENSIONAREA CURELEI

A se vedea figura 22.

- Deschideți capacul sistemului de transmisie.

- Pentru a detensiona cureaua, rotiți maneta de tensionare a curelei din partea dreaptă a mașinii și împingeți ansamblul superior în sens antiorar.
- Trageți motorul în față pentru a detensiona cureaua.
- Plasați cureaua la poziția roții de antrenare adecvată turăjei dorite.
- Trageți motorul în direcția opusă mașinii și împingeți ansamblul superior până când cureaua are tensiunea adecvată.
NOTĂ: Tensiunea curelei este corectă dacă aceasta se curbează aproximativ 13 mm (1/2") când este apăsată în centru.
- Strângeți maneta de tensionare a curelei pentru a fixa motorul pe poziție. Închideți capacul sistemului de transmisie.

VERIFICAREA/REGLAREA ALINIERII RETICULUI LASER

Mașina este echipată cu Laser Trac®.

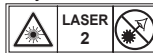
Razele laser vă arată direcția burghiului prin piesa de prelucrat înainte de a începe operația de găurire.

⚠️ AVERTISMENT

Evitați contactul direct al razei cu ochii

La pornirea ghidării cu laser este emisă o rază laser. Evitați contactul direct al razei cu ochii. Opriti întotdeauna mașina și deconectați-o de la sursa de alimentare înainte de a face reglaje.

- Ghidajul laser nu este o jucărie și nu trebuie permis accesul copiilor la acesta. Utilizarea incorectă poate afecta ireversibil ochii.
- Sunt interzise orice ajustări care ar putea crește intensitatea razei laser.
- Nu îndreptați raza laser către alte persoane și/sau suprafețe reflectorizante. Chiar și razele laser de intensitate redusă pot afecta ochii. Nu priviți direct în raza laser.
- Ghidajul cu laser nu include componente care pot fi reparate. Nu deschideți niciodată carcasa pentru reparații sau reglaje.
- Marcaj de avertizare pentru echipamentul laser:



- Nu îndepărtați și nu ștergeți niciuna dintre etichetele produsului. Îndepărtarea etichetelor crește riscul de expunere la radiații.
- PRECAUȚIE:** Utilizarea comenzilor sau a reglajelor sau efectuarea altor proceduri decât cele specificate aici pot avea ca rezultat expunerea la radiații periculoase.
- Nu încercați să reparați sau să dezasamblați nivela cu laser. Încercarea de reparare a acestui echipament laser poate provoca răni grave. Reparațiile acestui echipament laser trebuie realizate numai la un centru de service autorizat.
- PRECAUȚIE:** Utilizarea instrumentelor optice

Împreună cu acest produs crește riscul de afectare a vederii.

⚠️ AVERTISMENT

Nu utilizați lentile colorate pentru a crește performanțele razei laser. Lentilele colorate vor reduce vizibilitatea și vor afecta funcționarea normală a nivelei cu laser.

⚠️ AVERTISMENT

Radiație laser. Nu îndreptați niciodată raza laser către o piesă de prelucrat cu o suprafață reflectorizantă. Nu se recomandă utilizarea ghidajului cu laser în cazul foilor de metal lucioase sau al suprafețelor similare care reflectă lumina. Suprafețele reflectorizante pot reflecta fasciculul către utilizator sau către alte persoane.

REGLAREA RETICULULUI NIVELEI CU LASER

A se vedea figura 23.

Verificați alinierea reticulului nivelei cu laser pentru a vă asigura că liniile se intersectează în punctul în care burghiul intră în contact cu piesa de prelucrat. În caz contrar, reticulul laser trebuie reglat cu ajutorul butoanelor de reglare din partea opusă a ansamblului superior.

1. Marcați un "X" pe o bucată de lemn.
2. Introduceți în mandrină un burghiu mic și aliniați vârful acestuia cu intersecția liniilor reticulului, în punctul marcat anterior cu "X".
3. Fixați bucata de lemn pe masă.
4. Porniți ghidarea cu laser și verificați dacă liniile cad în punctul "X" de pe piesa de prelucrat.
5. Dacă liniile reticulului nu sunt centrate, slăbiți șuruburile de fixare ale carcasei laserului cu o cheie inbus hexagonală și rotiți manetele de reglare a rezelor laser până când liniile reticulului cad în punctul marcat cu "X". Strângeți la loc șuruburile carcasei.

OPERAREA

⚠️ AVERTISMENT

Nu permiteți ca familiaritatea cu uneltele să vă diminueze atenția acordată. Nu uitați, niciodată, că o secundă de neatenție este suficientă pentru a vă răni foarte grav.

⚠️ AVERTISMENT

Purtați întotdeauna ochelari de protecție cu apărători laterale atunci când utilizați unelte. Nerespectarea acestei reguli poate antrena proiectarea de corpuri străine în ochi și poate provoca răni grave.

⚠️ AVERTISMENT

Nu utilizați alte piese sau accesorii decât cele recomandate de către producătorul acestei mașini. Utilizarea de piese sau accesorii nerecomandate poate prezenta riscuri de răni grave.

⚠️ AVERTISMENT

Pentru a evita rănirea, mențineți protecția închisă cât timp utilizați mașina.

SCIMBAREA TURAȚIILOR ȘI A POZIȚIEI CURELEI

A se vedea figura 24.

Turația arborelui este stabilită în funcție de poziția curelei pe roțile de angrenare din ansamblul superior. Diagrama de turații de pe partea interioară a capacului ansamblului superior indică turația recomandată și poziția curelei pentru fiecare operație uzuală de găurire.

Pentru a schimba poziția curelei:

1. Ridicați capacul sistemului de transmisie
2. Slăbiți șurubul de tensionare a curelei.
3. Îndepărtați cureaua.
4. Plasați cureaua în poziția nouă, indicată în diagrama de turații.
5. Strângeți la loc șurubul de tensionare a curelei.

NOTĂ: Consultați secțiunea "Turația de găurire recomandată" pentru informații despre dimensiunile burghiilor și turații.

TURAȚIA DE GĂURIRE RECOMANDATĂ

Diametru burghiu (Inch)	TABEL DE TURAȚII DE GĂURIRE (RPM)		
	Material		
	Lemn Plastic	Aluminiu Zinc Alamă	Fier Oțel
1/16	2430	2430	2430
1/8			1800
3/16			1300
1/4			800
5/16	1300	800	800
3/8			510
1/2	1800	800	510

Înterupător pornire/oprire

A se vedea figura 25.

Pentru a porni unealta:

1. Apăsăți butonul de pornire (I).

Pentru a opri unealta:

1. Apăsăți butonul de oprire (O).

**⚠ AVERTISMENT**

Asigurați-vă întotdeauna că piesa de prelucrat nu este în contact cu burghiul când porniți mașina. Nerespectarea acestui avertisment poate face ca piesa de lucru să fie aruncată înapoi spre operator și poate provoca rănire gravă.

MONTAREA ȘI DEMONTAREA BURGHIELOR

A se vedea figura 26.

1. Deconectați mașina de la sursa de alimentare.
2. Deschideți sau închideți fălcile mandrinei până la un punct în care deschiderea este puțin mai mare decât mărimea burghiului pe care intenționați să îl utilizați.
3. Introduceți burghiul în mandrină până la capăt.

⚠ AVERTISMENT

Nu introduceți burghiul și nu strângeți mandrina așa cum este indicat în Figura 19. Burghiul poate fi smuls și poate provoca răni grave sau avarierea mandrinei.

4. Strângeți fălcile mandrinei cu ajutorul cheii speciale. Nu utilizați o cheie pentru a strânge sau slăbi fălcile mandrinei.
5. Îndepărtați cheia din mandrină.
6. Pentru demontarea burghiului, urmați pașii de mai sus în ordine inversă.

⚠ AVERTISMENT

Pentru a evita rănirea sau accidentele cauzate de proiectarea cheii din mandrină la pornirea mașinii, nu utilizați decât cheia de mandrină auto-ejectabilă livrată împreună cu bormașina. Îndepărtați întotdeauna cheia din mandrină înainte de a porni bormașina. Păstrați cheia de mandrină în locul special de păstrare când nu o utilizați.

GĂURIREA LA O ADÂNCIME PRESTABILITĂ

Există două metode de găurire parțială (găurire la o adâncime prestabilită din piesa de prelucrat):

Metoda cu piesa de prelucrat

A se vedea figura 27.

1. Marcați adâncimea găurii pe muchia piesei de prelucrat.
2. Cu mașina oprită, coborâți burghiul până când vârful acestuia ajunge la nivelul marcajului.
3. Mențineți în această poziție.
4. Rotiți piulița inferioară până când intră în contact cu opritorul de pe ansamblul superior.
5. Rotiți piulița superioară și strângeți-o la nivelul piuliței inferioare.
6. Acum burghiul se va opri după ce parcurge distanța marcată pe piesa de lucru.

Metoda cu scala gradată de adâncime

A se vedea figura 28.

NOTĂ: Cu mandrina în poziție superioară, poziționați vârful burghiului la o distanță mică față de piesa de prelucrat.

1. Cu bormașina oprită, rotiți mânerul de acționare până când indicatorul ajunge la adâncimea dorită pe scala de adâncime și mențineți mânerul în această poziție.
2. Rotiți piulița inferioară până când intră în contact cu opritorul de pe ansamblul superior.
3. Rotiți piulița superioară și strângeți-o la nivelul piuliței inferioare.
4. Acum burghiul se va opri după ce parcurge distanța stabilită pe scala de adâncime.

Găurirea

1. Marcați cu un punctator locul în care doriți să găuriți piesa de prelucrat.
2. Porniți ghidarea cu laser și aliniați reticulul rezelor laser cu marcajul de pe piesa de prelucrat.
3. Porniți bormașina și coborâți burghiul aplicând forța necesară pentru avansarea acestuia, fără a apăsa cu o forță excesivă.

Aplicarea unei forțe prea mari poate cauza alunecarea burghiului sau a curelei, sfâșierea piesei de prelucrat sau ruperea burghiului.

Când găuriți metal, ar putea fi necesar să lubrifiați vârful burghiului cu ulei special pentru a împiedica supraîncălzirea.

MĂSURI DE SIGURANȚĂ**⚠ AVERTISMENT**

Pentru a evita prinderea în mașină, nu purtați haine largi, mănuși, cravate sau bijuterii. Prindeți-vă întotdeauna părul.

1. Dacă observați piese lipsă, defecte sau avariate opriți imediat utilizarea mașinii până la repararea sau montarea tuturor pieselor.
2. Nu țineți niciodată degetele într-o poziție care ar putea permite contactul cu burghiul sau cu alte accesorii de tăiere. Piesa de prelucrat s-ar putea deplasa neașteptat sau ar putea să vă alunece mâna.
3. Pentru a evita smulgerea piesei de prelucrat din mână, proiectarea, agățarea sau ruperea acesteia, fixați-o întotdeauna conform indicațiilor de mai jos:
 - Plasați întotdeauna o bucată de material de siguranță (sub piesa de prelucrat) care să fie în contact cu coloana bormașinii.
 - Dacă este posibil, plasați piesa de prelucrat astfel încât să se afe în contact cu partea stângă a coloanei. Dacă piesa este prea scurtă sau masa este înclinată, prindeți ferm piesa de masă folosindu-vă de orificiile din aceasta.
 - Dacă utilizați o menghină (nu este furnizată), fixați-o pe masă.





- Nu executați nicio lucrare în care să țineți piesa de prelucrat în mână în loc să o fixați pe masă, cu excepția operațiilor de lustruire sau șlefuire.
 - Înainte de a utiliza bormașina fixați ansamblul superior și suportul pe coloană, brațul mesei pe suport și masa pe braț.
 - Nu mișcați niciodată ansamblul superior sau masa când bormașina funcționează.
 - Înainte de începerea oricărei operații, acționați comutatorul de pornire a motorului pentru a vă asigura că burghiul sau alt accesoriu de tăiere nu oscilează și nu produc vibrații.
 - În cazul pieselor care depășesc marginea mesei și există risc de cădere sau de înclinare a acestora, fixați-le pe masă sau pe un suport auxiliar.
 - Utilizați accesoriile adecvate pentru operații speciale, pentru a susține, ghida și poziționa piesele de prelucrat.
 - Alegeți întotdeauna turația recomandată pentru operația și materialele utilizate. Consultați tabelul din interiorul capacului transmisiei sau informațiile din secțiunea "Turație de găurire recomandată" din acest manual pentru alegerea turației. Pentru informații despre accesorii, consultați instrucțiunile furnizate cu acestea.
4. Nu vă urcați niciodată pe masa bormașinii, deoarece aceasta se poate rupe sau bormașina ar putea cădea peste dvs.
 5. Deconectați bormașina de la sursa de alimentare când nu o utilizați.
 6. Pentru a evita rănirea provocată de proiectarea pieselor de prelucrat sau contactul cu bormașina, nu folosiți masa pentru alte lucrări de poziționare, asamblare sau configurare cât timp bormașina este pornită.

POZIȚIONAREA MESEI ȘI A PIESEI DE PRELUCRAT

A se vedea figura 29-30.

1. Fixați masa pe coloană în poziția dorită, cu burghiul la o distanță mică față de piesa de prelucrat.
2. Puneți întotdeauna o bucată de material de siguranță pe masă, sub piesa de prelucrat. Astfel, piesa de prelucrat nu se va așchia sau deteriora la ieșirea burghiului. Pentru ca materialul de siguranță să nu se rotească, trebuie proptit de partea stângă a coloanei.
3. Utilizați mijloace adecvate de suport pentru piesa de lucru ce depășește marginile mașinii.

⚠️ AVERTISMENT

Pentru a împiedica proiectarea piesei de prelucrat sau a materialului de siguranță în timpul găuririi, **TREBUIE** să proptiți piesa de lucru de partea stângă a coloanei. Dacă piesa de lucru sau materialul de siguranță nu sunt suficient de lungi pentru a ajunge până la coloană, fixați-le pe masă. O piesă de prelucrare care nu este fixată pe masă poate provoca răni grave.

⚠️ AVERTISMENT

La utilizarea unei menghine, se recomandă fixarea acesteia pe masă, pentru a evita rănirea provocată de rotirea piesei de prelucrat, avarierea menghinei sau ruperea burghiului.

MENȚINEREA UNEI POZIȚII FIXE DE GĂURIRE

1. Marcați cu un punctator locul în care doriți să găuriți piesa de prelucrat.
2. Porniți ghidarea cu laser și aliniați reticulul rezelor laser (x) cu marcajul de pe piesa de prelucrat înainte de a porni bormașina.

ÎNCLINAREA MESEI DE TĂIERE

A se vedea figura 31.

NOTĂ: Suportul mesei are un orificiu dat din fabrică și prevăzut cu un bolț filetat pentru blocarea mesei la un unghi de înclinație de 0°.

1. Rotiți în sens orar piulița bolțului filetat de blocare utilizând o cheie de 10 mm sau o cheie reglabilă pentru a-l deșuruba din suport. Acest bolț filetat va fi necesar când se va readuce masa în poziția normală de lucru, la 0 grade.
2. Slăbiți șurubul mare cu cap hexagonal de blocare a unghiului utilizând o cheie fixă de 17 mm sau o cheie reglabilă.

⚠️ AVERTISMENT

Pentru a preveni rănirea, fixați ansamblul format din masă și brațul mesei pentru a nu se deplasa sau înclina.

3. Înclinați masa, aliniind unghiul de înclinare dorit cu linia de zero din partea opusă gradației de pe scală.
4. Strângeți șurubul de blocare a înclinării mesei.
5. Pentru a readuce masa în poziția inițială, slăbiți șurubul de blocare a înclinării mesei. Readeuceți masa în poziția de 0°.
6. Readeuceți piulița pe bolțul filetat de blocare la capătul filetului. Loviți ușor în bolț până când intră în locașul său din suport. Strângeți piulița.

⚠️ AVERTISMENT

Pentru a evita rănirea provocată de rotirea piesei de prelucrat sau defectarea echipamentului, fixați piesa de prelucrat și materialul de siguranță pe masă înainte de a utiliza bormașina.

AVANSUL BURGHIULUI

1. Coborâți burghiul utilizând manetele de acționare aplicând forța necesară pentru avansarea acestuia, fără a apăsa cu o forță excesivă.
2. Dacă avansați prea lent, burghiul va arde materialul. Dacă avansați prea rapid, puteți provoca alunecarea burghiului sau a curelei, sfâșierea piesei de prelucrat sau ruperea burghiului.



3. La găurirea metalului trebuie să lubrifiați burghiul cu ulei pentru a preveni supraîncălzirea materialului și a burghiului.

ÎNȚREȚINEREA

⚠️ AVERTISMENT

Din motive de siguranță, se recomandă oprirea mașinii și deconectarea acesteia de la sursa de alimentare înainte de executarea operațiilor de întreținere sau lubrifiere.

Suflați frecvent cu un compresor cu aer sau un aspirator praful sau șpanul acumulat în motor, în carcasa transmisiei, pe masă și pe suprafața de lucru. Purtați întotdeauna ochelari de protecție în timpul operării aparatului.

⚠️ AVERTISMENT

Pentru a evita electrocutarea sau riscul de incendiu, înlocuiți imediat la un centru de service cablul de alimentare dacă este uzat sau întrerupt.

LUBRIFIEREA

Toți rulmenții bormașinii sunt lubrifiați din fabrică. Aceștia nu necesită lubrifiere suplimentară.

Lubrifiați periodic ansamblul cremalierii, mecanismul de ridicare a mesei și cremaliera (dinții) arborelui. Coborâți arborele și lubrifiați cu o cantitate moderată de lubrifianț bușca acestuia la fiecare 3 luni.

TRANSPORTARE ȘI DEPOZITARE

A se vedea figura 32.

Când transportați produsul, deconectați cablul de alimentare și asigurați-vă că toate piesele sunt bine prinse. Vedeți Fig. 32 pentru zonele de prindere pentru cazul când produsul este ridicat.

Depozitați produsul într-un loc sigur ce nu este accesibil copiilor.

Curățați produsul folosind o perie sau aspiratorul înainte de a-l depozita.

SIMBOL



Alertă de siguranță



Marcajul european de conformitate



Marcajul britanic de conformitate



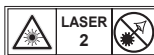
Marcajul ucrainian de conformitate



Marcaj de conformitate EurAsian



Citiți instrucțiunile cu atenție înainte de pornirea produsului.



Radiație laser.
Nu priviți direct în rază.
Produs cu laser clasa 2



Nu expuneți la ploaie sau la medii încărcate de umezeală.



Purtați echipamente de protecție a auzului



Purtați întotdeauna ochelari de protecție.



Mărire prindere mandrină



Cursă burghiu



Aliniere pentru găurire



Diametru burghiu (inci)



Lemn



Aluminu
Zinc
Alamă



Fier
Oțel



A nu se arunca deșeurile de echipamente electronice și electrice la gunoiul menajer. Deșeurile formate din echipamente electrice și electronice trebuie colectate separat. Sursele de iluminare trebuie scoase din aceste echipamente. Solicitați consiliere de la autoritatea dvs. locală sau de la comerciantul de unde ați achiziționat aspiratorul, în privința punctului de colectare. Conform reglementărilor naționale, vânzătorii cu amănuntul au obligația de a colecta deșeurile de echipament electric și electronic, gratuit. Contribuția dvs. la reciclarea și reutilizarea echipamentelor electrice și electronice ajută la reducerea cererii de materii prime. Deșeurile formate din echipamente electrice și electronice conțin materiale reciclabile valoroase, care pot avea o influență negativă asupra mediului înconjurător și asupra sănătății umane, dacă nu sunt eliminate într-o manieră ecologică. Ștergeți datele personale din echipamentul deșeu, dacă este cazul.

DEPANAREA

Problemă	Cauză posibilă	Soluție
Funcționare zgomotoasă.	<ol style="list-style-type: none"> 1. Tensionare incorectă a curelei. 2. Arborele nu este uns. 3. Roata de angrenare a arborelui este slăbită. 4. Roata de angrenare a motorului este slăbită. 	<ol style="list-style-type: none"> 1. Reglați tensionarea. Consultați secțiunea "Tensionarea curelei". 2. Lubrifiați arborele. Consultați secțiunea "Lubrifierea". 3. Verificați dacă piulița opritoare a roții de antrenare este strânsă și strângeți-o dacă este necesar. 4. Strângeți șurubul de fixare din roata de antrenare a motorului.
Burghiul arde.	<ol style="list-style-type: none"> 1. Turație incorectă. 2. Nu iese șpan din gaură. 3. Burghiul este tocit. 4. Se avansează prea lent. 5. Lipsă de lubrifiere. 	<ol style="list-style-type: none"> 1. Schimbați turația. Consultați secțiunea "Schimbarea turației și poziționarea curelei". 2. Retrageți frecvent burghiul pentru a permite evacuarea reziduurilor. 3. Ascuțiți burghiul sau schimbați-l. 4. Asigurați o viteză de avansare suficientă, pentru a permite burghiului să taie corespunzător. 5. Lubrifiați burghiul. Consultați secțiunea "Avansul burghiului".
Deplasarea punctului de găurire - gaura nu este rotundă.	<ol style="list-style-type: none"> 1. Granulație mare la găurirea lemnului sau traiectoriile/unghiurile de tăiere nu sunt egale. 2. Burghiul este îndoit. 	<ol style="list-style-type: none"> 1. Ascuțiți burghiul. 2. Schimbați burghiul.
Așchii de lemn la ieșirea burghiului.	<ol style="list-style-type: none"> 1. Nu a fost introdus materialul de siguranță sub piesa de prelucrat. 	<ol style="list-style-type: none"> 1. Utilizați un material de siguranță. Consultați secțiunea "Operarea".
Piesa de prelucrat se smulge din prindere.	<ol style="list-style-type: none"> 1. Piesa de prelucrat nu este fixată corespunzător. 	<ol style="list-style-type: none"> 1. Fixați piesa de prelucrat. Consultați secțiunea "Operarea".
Burghiul se blochează în piesa de prelucrat.	<ol style="list-style-type: none"> 1. Piesa de prelucrat agață burghiul sau se aplică o forță prea mare la avansare. 2. Tensiunea curelei nu este adecvată. 	<ol style="list-style-type: none"> 1. Fixați piesa de prelucrat. Consultați secțiunea "Operarea". 2. Reglați tensionarea. Consultați secțiunea "Tensionarea curelei".
Mișcare circulară sau axială excesivă a burghiului.	<ol style="list-style-type: none"> 1. Burghiul este îndoit. 2. Rulmenții sunt uzați. 3. Burghiul nu este montat corespunzător în mandrină. 4. Mandrina nu este montată corespunzător. 	<ol style="list-style-type: none"> 1. Utilizați un burghiul cu tijă fără caneluri. 2. Înlocuiți rulmenții. 3. Montați burghiul corespunzător. Consultați secțiunile "Operarea" și "Asamblare și reglaje". 4. Montați mandrina corespunzător. Consultați secțiunea "Montarea mandrinei".
Arborele revine prea lent sau prea rapid.	<ol style="list-style-type: none"> 1. Resortul de revenire nu este tensionat corect. 	<ol style="list-style-type: none"> 1. Reglați tensiunea resortului. Consultați secțiunea "Resortul de revenire a arborelui".
Mandrina nu stă fixată pe arbore. Aceasta cade la montare.	<ol style="list-style-type: none"> 1. Interiorul mandrinei sau conul arborelui sunt contaminate cu murdărie, lubrifiant sau ulei. 	<ol style="list-style-type: none"> 1. Curățați conul interior a mandrinei și conul arborelui cu o soluție de curățare fără alcool, pentru a îndepărta murdăria, lubrifiantul și uleiul. Consultați secțiunea "Montarea mandrinei".

APRAKSTS

1. Galvas mezglis
2. Virsma
3. Pamatne
4. Zobstienis
5. Balsta kolonna
6. Zobstieņa gredzens
7. Padeves rokturi
8. Gliemeža pārvads
9. Galda fiksācijas rokturis
10. Galda pacelšanas rokturis
11. Skrūve ar seškanšu galvu
12. Patrona
13. Patronas atslēga
14. 4 mm seškanšu atslēga
15. 3 mm seškanšu atslēga
16. Plakanais skrūvgriezis
17. Noregulējama uzgriežņu atslēga
18. 12 mm atslēga
19. Metāla vai gumijas āmurs
20. Kombinētais leņķis
21. Koka klucis
22. Motors
23. Lāzera izstarotājs
24. Patronas ass atgriešanas spole/atspere
25. Galda kronšteins
26. Skriemeļu vāks
27. Ieslēgšanas/izslēgšanas slēdzis
28. Lāzera slēdzis
29. Augšējais aizsargs
30. Uzstādīšanas caurums
31. Galvas fiksācijas skrūve
32. Siksnas spriegojuma fiksācijas skrūve
33. Patronas atslēgas turētājs
34. Urbja ass skriemelis
35. Motora skriemelis
36. Galda atbalsts
37. Galda pacelšanas roktura atvere
38. Kolonnas balsts
39. Regulēšanas skrūve
40. Galva
41. Galvas fiksācijas regulēšanas skrūve
42. Vītņotas atveres
43. Padeves mezglis
44. Vārpsta
45. Skrūve x 2 (M12, nav komplektā)
46. Fiksācijas paplāksnis x 4 (Dia. 12mm, nav komplektā)
47. Gumijas paplāksnis x 2 (Dia. 12mm, nav komplektā)
48. Plakanais paplāksnis x 2 (Dia. 12mm, nav komplektā)
49. Kontruzgrieznis x 2 (M12, nav komplektā)
50. Seškanšu uzgrieznis x 2 (M12, not included)
51. Darba virsma
52. Leņķa lineāla skala
53. Galda slīpuma fiksācijas skrūve
54. Uzgrieznis
55. Bloķēšanas uzgrieznis
56. Skrūve
57. Apakšējais priekšējais ierobs
58. Atsperes vāks
59. Ārējais kontruzgrieznis
60. Iekšējais uzgrieznis
61. Grope
62. Fiksators
63. Spīļpatronas spīles
64. Urbjmašīnas uzgalis
65. Dziļums
66. Dziļuma skalas rādītājs
67. Dziļuma skala
68. Augšējais uzgrieznis
69. Apakšējais uzgrieznis
70. Dziļuma atdures plāksne
71. Sagatave

Radot jūsu stacionāro urbjmašīnu, drošībai, veiktspējai un uzticamībai ir pievērsta vislielākā vērība.

PAREDZĒTĀ LIETOŠANA

Stacionārā urbjmašīna ir paredzēta urbumu veikšanai kokā, plastikātā, alumīnījā un tēraudā.

Instruments ir paredzēts lietošanai pieaugušiem, kuri ir izlasījuši lietošanas rokasgrāmatu un izpratuši riskus un briesmas.

Izstrādājums ir paredzēts nostiprināšanai pie pamatnes uz stabilas darba virsmas. Ja pamatne nav droši nostiprināta, visai iekārtai ir tendence apgāzties, slīdēt vai pārvietoties pa atbalsta virsmu darba laikā, kas palielina smagu ievainojumu gūšanas iespējas.

Izstrādājumu drīkst lietot sausos apstākļos, labā apgaismojumā un ar pietiekošu ventilāciju.

Prece paredzēta klientu lietošanai un to drīkst izmantot tikai kā aprakstīts iepriekš un ne citiem mērķiem.

VISPĀRĒJIE DROŠĪBAS BRĪDINĀJUMI

▲ BRĪDINĀJUMS

Izlasiet visus drošības brīdinājumus, instrukcijas, specifikācijas un apskatiet attēlus šī elektroinstrumenta dokumentācijā. Visu uzskaitīto instrukciju neievērošana ir bīstama; tā var izraisīt elektrisko triecienu, aizdegšanos un/vai nopietnas traumas.

Visus brīdinājumus un norādījumus saglabāiet turpmākām uzziņām. Apzīmējums "elektroinstrumenta" brīdinājumos attiecas uz jūsu elektroinstrumentu, kas tiek darbināts no elektrotīkla (ar vadu) vai ar akumulatora (bezvadu) palīdzību.

DROŠĪBA DARBA VIETĀ

- Uzturiet darba vietu tīru un labi apgaismotu. Nekārtīgās vai tumšās vietās ir paaugstināts negadījumu risks.
- Nedarbiniet elektroinstrumentus sprādzienbīstamā vidē, piemēram, degošu šķidrumu, gāzu vai putekļu klātbūtnē. Elektroinstrumenti rada dzirksteles, kas var aizdedzināt putekļus vai gāzes.
- Neļaujiet bērniem un apkārtesošajiem atrasties tuvumā, kamēr tiek darbināts elektroinstrumenta. Izkļaidības dēļ jūs varat zaudēt kontroli.

ELEKTRODROŠĪBA

- Elektroinstrumenta kontaktdakšām ir jābūt atbilstošām kontaktlīdždām. Nekad nekādā veidā neveiciet kontaktdakšas izmaiņas. Neizmantojiet adapterus ar zemētiem elektroinstrumentiem. Nemodificētas kontaktdakšas un atbilstošas kontaktlīdždas mazinās elektrošoka risku.
- Izvairieties no ķermeņa saskares ar zemētām virsmām, piemēram, caurulēm, radiatoriem,

apgabaliem un saldētavām. Ja jūsu ķermenis ir ir zemēts, pastāv palielināts elektrošoka risks.

- Nepakļaujiet elektroinstrumentus lietum vai mitrumam apstākļiem. Ūdens iekļūšana elektroinstrumentā palielina elektriskā trieciena risku.
- Izmantojiet barošanas vadu tikai pareizi. Nekad neizmantojiet kabeli elektroinstrumenta nēsāšanai, vilkšanai vai atvienošanai. Vadam jāatrodas pietiekamā atstumā no siltumavotiem, eļļas, asām malām un kustīgām detaļām. Bojāti vai sapinušies kabeli palielina elektrošoka risku.
- Darbinot elektroinstrumentu ārā, lietojiet pagarinātāja kabeli, kas ir piemērotas āra lietošanai. Izmantojot kabeli, kas ir piemērots lietošanai ārā, tiek samazināts elektrošoka risks.
- Ja elektroinstrumentu darbināšana mitrā vietā ir neizbēgama, izmantojiet ar paliekošās strāvas iekārtu (RCD) aizsargātu avotu. Izmantojot RCD, tiek samazināts elektrošoka risks.

PERSONAS DROŠĪBA

- Saglabāiet modrību, vērojiet savu darbu un rīkojieties saskaņā ar veselo saprātu. Neizmantojiet darbarīku, ja esat noguris vai narkotisko vielu, alkohola vai medikamentu ietekmē. Neuzmanības brīdis, strādājot ar elektroinstrumentiem, var izraisīt smagus ievainojumus.
- Valkājiet individuālos aizsarglīdzekļus. Vienmēr lietojiet aizsargbrilles. Aizsardzības aprīkojums, piemēram, putekļu maska, neslīdoši drošības apavi, aizsargķivere, vai ausu aizsarglīdzekļi, to izmantojot atbilstošos apstākļos, samazinās ievainojumu risku.
- Nepieļaujiet nejausu iedarbināšanu. Nodrošiniet, ka slēdzis ir izslēgtā stāvoklī, pirms pievienot pistoli spriegumam un/vai akumulatoru blokam, satverot vai pārnēsājot izstrādājumu. Elektroinstrumentu pārnēsāšana, pirkstam atrodoties uz slēdža, vai instrumenta, kas ir ieslēgtā stāvoklī, pieslēgšana elektrotīklam, palielina negadījumu iespējamību.
- Pirms elektroinstrumenta ieslēgšanas izņemiet visus regulējošos ķīļus vai uzgriežņu atslēgas. Pie elektromotora rotojošas daļas atstāta uzgriežņu atslēga vai ķīlis var izraisīt savainojumus.
- Nesniedzieties tam pāri. Visu laiku stāviet stingri un stabili. Tādējādi tiek nodrošināta labāka elektroinstrumenta kontrole negaidītās situācijās.
- Apģērbieties pareizi. Nenēsājiēt vaļīgu apģērbu un rotaslietas. Netuviniet matus un apģērbu kustīgajām daļām. Vaļīgs apģērbs, rotaslietas vai gari mati var tikt ierauti starp kustīgām detaļām.
- Ja instruments ir apgādāts ar ierīcēm putekļu nosūkšanai, nodrošiniet, ka šīs ierīces tiek pieslēgtas un pareizi izmantotas. Putekļu savākšanas ierīču izmantošana var samazināt briesmas, kas saistītas ar putekļu uzkrāšanos.



spriegumam un to ieslēgt.

- **Noregulējiet galdu vai dziļuma atduri, lai izvairītos no urbšanas galdā.** Izsledziet spriegumu, izņemiet urbi un notīriet urbjmašīnu, kad pabeidzat darbu.
- **Izmantojot lāzera staru, nepakļaujiet acis tā tiešai iedarbībai.**
- **Vienmēr nodrošiniet, ka lāzera stars tiek virzīts uz virsmu, kurai nav atstarojošas īpašības.** Spīdīgi, atstarojoši materiāli nav piemēroti lāzera izmantošanai.
- **Nekad nenovietojiet pirkstus vietā, kurā tie var nonākt saskarsmē ar urbi vai citu griešanas aprīkojumu gadījumā, ja urbjamais gabals nejausi izkustas.**
- **Nekad neveiciet darbības, kustinot galvu vai galdu vienu attiecībā pret otru.** Neieslēdziet motora slēdzi vai nesāciet darbu, pirms nepārliecinieties, ka galvas un galda atbalsta fiksācijas rokturi ir cieši novilkti pie kolonnas, un galvas un galda atbalsta tapas ir pareizi novietotas.
- **Pirms ieslēgt motora slēdzi, pārliecinieties, ka siksnu aizsargs ir nolaists un patrona ir pareizi uzstādīta.**
- **Noblokējiet motora slēdzi, kad pabeidzat darbu.** Neveiciet pielāgošanas, salikšanas vai iestatīšanas darbus uz galda, ja urbjmašīna darbojas, ir ieslēgta vai ir pievienota sprieguma avotam.
- **Ja bojāts strāvas padeves vads, lai izvairītos no riska, to drīkst nomainīt tikai ražotājs vai pilnvarotā apkopes centrs.**
- **Glabājiet nelietojamus instrumentus.** Kad instrumenti netiek lietoti, tie jāglabā sausā, slēgtā, bērniem nepieejamā vietā.
- **Ieteicams instrumenta barošanu nodrošināt caur strāvas noplūdes atslēgšanas automātu ar nominālo strāvu, kas ir 30 mA vai mazāka.**
- **Saglabājiet šīs instrukcijas.** Bieži pārlasiet šos norādījumus un izmantojiet tos citu lietotāju instruēšanai. Ja kādam aizdodat šo instrumentu, aizdodiet arī šos norādījumus.

LĀZERA DROŠĪBA

- Lāzera starojums, kas tiek izmantots šajā produktā ir 2 klases lāzeris ar maksimālo jaudu 1 mW un viļņa garumu 650 nm. Neskatieties tieši lāzera starā. Noteikumu neievērošanas rezultātā var rasties nopietni miesas bojājumi.
- Darba laikā neskatieties lāzera starā.
- Nevirziet lāzera staru tieši apkārtējo acīs. Var rasties nopietnas acu traumas.
- Nenovietojiet lāzeru vietā, kurā apkārtējie varētu tīši vai netīši skatīties lāzera starā.
- Neizmantojiet optiskos instrumentus, lai skatītos lāzera starā.
- Nelietojiet lāzeru bērnu tuvumā un neļaujiet bērniem darbināt lāzeru.
- Nemēģiniet pašrocīgi veikt lāzerierīces remontu.

- Nemēģiniet pats mainīt lāzerierīces daļas.
- Visus remontdarbus drīkst veikt tikai lāzera ražotājs vai pilnvarots servisa speciālists.
- Neaizstājiet ar cita veida lāzeru.

PALIEKOŠIE RISKI

Pat tad, ja ierīce tiek lietota, kā aprakstīts, joprojām nav iespējams pilnībā novērst atsevišķus riska faktoros. Operatoram jāpievērš īpaša uzmanība šiem norādījumiem, lai samazinātu nopietnu ievainojumu risku.

- Dzirdes bojājumi – Lietojiet piemērotus dzirdes aizsarglīdzekļus un ierobežojiet lietošanas laiku.
- Redzes bojājumi – Lietojot ierīci, valkājiet acu aizsēgu vai aizsargbrilles.
- Vibrācijas radīti bojājumi - Ierobežojiet atrašanās faktora ietekmē un ievērojiet norādes par risku samazināšanu šajā rokasgrāmātā.
- Elpceļu bojājumi no ierīces radītiem putekļiem – Lietojiet piemērotus aizsarglīdzekļus atkarībā no putekļu veida.

⚠ BRĪDINĀJUMS

Dažiem putekļiem, kas rodas slīpēšanas, zāģēšanas, abrazīvās griešanas, urbšanas un citu būvdarbu procesā, sastāvā ir ķīmiskās vielas, kas var izraisīt vēzi, dzimšanas defektus vai citus kaitējumus reproduktīvajai veselībai. Daži piemēri:

- svins no svina bāzes krāsām,
- kristālais silīcijs no ķieģeļiem un cementa, kā arī citiem mūrniecības materiāliem,
- arsēns un hroms no ķīmiski apstrādātas koksnes.

Jūsu riski no saskares ar šīm vielām ir atkarīgi no tā, cik bieži jūs veicat šāda veida darbus. Lai mazinātu saskari ar šīm vielām: strādājiet labi ventilētā vietā un ar apstiprinātiem aizsarglīdzekļiem, kā putekļu maskas, kas ir speciāli paredzētas mikroskopisku daļiņu filtrēšanai.

ELEKTRĪBA

Izmantojiet tikai 3-vadu pagarinājuma kabelus, kuriem ir 3-zaru zemēšanas spraudņi un 3-polu rozetes, kurām var pieslēgt produkta spraudni. Ja lietojat elektroinstrumentu ievērojamā attālumā no barošanas avota, izmantojiet pietiekama nomināla pagarinātāju, lai tas varētu piegādāt elektroenerģiju atbilstoši produkta patēriņam. Nepietiekama nomināla pagarinātājs izraisīs līnijas sprieguma kritumu, kas radīs jaudas zudumu un motora pārkaršanu.

Pirms izmantot pagarinātāja vadu, pārbaudiet, vai tam nav vajīgu vai atkailinātu vadu, sagriezta vai nodilusi izolācija.



⚠ BRĪDINĀJUMS

Uzmanieties, lai darba zonā neatrastos pagarinātājs. Strādājot ar instrumentu, novietojiet vadu tā, lai tas netiktu iespiests starp materiāliem, instrumentiem vai citiem šķēršļiem. Neievērošana var izraisīt nopietnus miesas bojājumus.

⚠ BRĪDINĀJUMS

Pirms katras lietošanas pārbaudiet pagarinājuma vadus. Bojājumu gadījumā nekavējoties nomainiet. Nekad neizmantojiet instrumentu, kuram bojāts strāvas vads, jo, pieskaroties bojātajai vietai, varat saņemt elektrostrāvas triecienu, kas var izraisīt nopietnu traumu.

ELEKTRISKAIS PIESLĒGUMS

Šajā produktā ir smalkas konstrukcijas motors. To vajadzētu pievienot tikai 220~240 V maiņstrāvas barošanas pavedei (parastā sadzīvē izmantojamā strāva), 50 Hz. Nelietojiet šo produktu ar līdzstrāvu (DC). Ievērojams sprieguma kritums izraisīs jaudas zudumu, un motors pārkarīs. Ja produkts nedarbojas, kad ir pieslēgts barošanai, atkārtoti pārbaudiet barošanas pievadu.

ĀTRUMS UN VADOJUMS

Šis ātrums nav konstants un samazinās slodzes vai zemāka sprieguma ietekmē. Sprieguma ziņā darbnīcas vadojums ir tikpat svarīgs kā motora nomināls zirgspēkos. Tikai apgaismes ķermeņiem paredzētā līnija nevar pareizi nodrošināt elektroinstrumenta motoru. Vads, kura nomināls ir piemērots nelielam attālumam, būs nepietiekams lielākam attālumam. Līnija, kas var nodrošināt atbalstu vienam elektroinstrumentam, iespējams, nevar atbalstīt divus vai trīs instrumentus.

ZEMĒJUMA INSTRUKCIJAS

Darbības traucējuma vai salūšanas gadījumā zemējums nodrošina mazākās pretestības ceļu elektriskajai izlādei, lai mazinātu elektriskā trieciena risku. Šis izstrādājums ir aprīkots ar elektrisko vadu, kuram ir ierīces zemējuma vadītājs un zemējuma kontaktspraudnis. Kontaktspraudni jāpieslēdz piemērotai ligzdai, kas ir pareizi instalēta un zemēta atbilstoši visiem vietējiem noteikumiem.

Nemodifijējiet komplektācijas kontaktspraudni. Ja ligzda neatbilst spraudnim, kvalificētam elektrīķim jāuzstāda pareiza ligzda. Nepareizs aprīkojuma zemējuma vada pieslēgums var radīt elektrotraumu risku. Vadam ar izolāciju, kuras ārpusē ir zaļa, ar vai bez dzeltenām svītrām, ir aprīkojuma zemējuma vads. Ja nepieciešams elektrības vada vai kontaktdakšas remonts vai nomaīņa, nepievienojiet aprīkojuma zemējuma vada fāzes kontaktam.

Nekavējoties salabojiet vai nomainiet bojātu vai nodilušu vadu.

IETEICAMAIS PAPILDAPRĪKOJUMS

⚠ BRĪDINĀJUMS

Izmantojiet tikai aprīkojumu, kas tiek ieteikts šim izstrādājumam.

Ievērojiet norādes, kas tiek nodrošinātas kopā ar papildaprīkojumu. Izmantojot nepareizu papildaprīkojumu var radīt briesmas.

- Urbjmašīnas uzgals
- Stiprināšanas spaiļi
- Stacionārās urbjmašīnas skrūvspiļes

⚠ BRĪDINĀJUMS

Izmantojiet tikai aprīkojumu, kas radīts šim izstrādājumam, lai izvairītos no ievainojumiem, no iespējamie mēstiem saplēstām daļām vai apstrādājamā materiāla.

Neizmantojiet jebkādu papildaprīkojumu, kamēr neesat pilnīgi izlasījuši norādes vai šī aprīkojuma lietotāja rokasgrāmatu.

IĒPAKOJUMA SATURS

SATURA IZPAKOŠANA UN PĀRBAUDE

⚠ BRĪDINĀJUMS

Ja jebkāda no daļām trūkst vai ir bojāta, nepievienojiet izstrādājumu elektrotīklam, līdz trūkstošā vai bojātā daļa ir nomainīta un salikšana ir pabeigta.

Rūpīgi izpakojiet izstrādājumu un visas tā daļas, salīdzinot tās ar sarakstu tālāk.

Lai pasargātu izstrādājumu no mitruma, tā slīpētājam virsmām ir uzklāts aizsargpārklājums. Notīriet šo pārklājumu ar mikstu drānu, kas samērcēta petrolejā vai WD-40.

⚠ BRĪDINĀJUMS

Lai novērstu uzliesmošanu vai toksisku reakciju, nekad neizmantojiet izstrādājuma tīrīšanai benzīnu, ligroīnu, acetonu, lakas šķīdinātāju vai līdzīgu gaistošu šķīdinātāju.

Uzklājiet galdam, kolonnai un slīpētājam virsmām vaska pastas kārtu. Rūpīgi noslaukiet visas daļas ar tīru sausu drānu.

Nosaukums	Apraksts	Daudz.
1	Galvas mezgls	1
2	Virsmā	1
3	Pamatne	1



4	Zobstienis	1
5	Balsta kolonna	1
6	Zobstieņa gredzens	1
7	Padeves rokturi	3
8	Gliemeža pārvads	1
9	Galda fiksācijas rokturis	1
10	Galda pacelšanas rokturis	1
11	Skrūve ar seškanšu galvu	3
12	Patrona	1
13	Patronas atslēga	1
14	4 mm seškanšu atslēga	1
15	3 mm seškanšu atslēga	1

SALIKŠANA UN REGULĒŠANA

⚠ BRĪDINĀJUMS

Jūsu drošībai, nekad nepievienojiet kontaktdakšu sprieguma avotam, līdz visi salikšanas soļi ir pabeigti un esat izlasījuši un izpratuši drošības un lietošanas norādes.

⚠ BRĪDINĀJUMS

Izstrādājums ir smags elektroinstruments, kura ceļšanai un drošakai salikšanai nepieciešama divu cilvēku līdzdalība.

KOLONNAS PIEVIENOŠANA PAMATNEI

Skatiet 5. attēlu.

- Novietojiet pamatni uz līdzenas, stabilas virsmas.
- Savietojiet skrūves balsta kolonnā ar skrūvju atverēm pamatnē.
- Ievietojiet skrūvi ar seškanšu galvu katrā atverē.
- Pievelciet katru seškanšu skrūvi, izmantojot regulējamu atslēgu.

GALDA UZSTĀDĪŠANA UZ BALSTA KOLONNAS

Skatīt attēlus 6 - 10.

- Ievietojiet galda kronšteina fiksācijas rokturi vītņotajā atverē galda kronšteina aizmugurē.
PIEZĪME: Ievietojiet rokturi no kreisās puses uz labi, tā, lai tas vispirms iet caur galda kronšteina pusi bez vītņēm.
- Ievirziet gliemeža zobratu caur galda padeves atveri galda kronšteinā. Pārliecinieties, ka gliemeža zobrats savienojas ar iekšējo zobratu.
PIEZĪME: Nenotīriet smērvielu no gliemeža zobrata.
- Izvirziet zobstieni caur atveri galda kronšteinā tā, lai zobu būtu vērsti uz āru un garākais līdzenais gals atrastos augšā. Gliemeža zobratam jābūt sazobē ar

- zobstieni.
- Izmantojot abas rokas, uzbīdiet galdu kopā ar zobstieni uz balsta kolonnas, līdz zobstienis ieiet pamatnes kronšteinā pie kolonnas.
 - Pievelciet galda kronšteina fiksācijas rokturi, lai nostiprinātu galda mezglu pie kolonnas.
PIEZĪME: Nepārvelciet.
 - Uzbīdiet zobstieņa gredzenu ar slīpo malu uz leju, uz kolonnas, līdz tā slīpā mala nofiksē zobstieņa slīpo galu.
 - Pievelciet gredzena regulēšanas skrūvi ar seškanšu atslēgu. Lai novērstu kolonnas vai gredzena bojājumu, nepārvelciet skrūvi.
PIEZĪME: Galdam ir jākustas no vienas puses uz otru.
 - Uzstādiet galda pacelšanas rokturi uz gliemeža zobrata gala tā, lai plakanā ass puse sakristu ar regulēšanas skrūvi.
 - Pievelciet regulēšanas skrūvi ar seškanšu atslēgu.

GALVAS UZSTĀDĪŠANA

Skatiet 11. attēlu.

⚠ BRĪDINĀJUMS

Stacionārās urbjašinas galva ir smaga, tās ceļšanai nepieciešami divi cilvēki, lai droši uzstādītu urbjašinas galvu uz kolonnas.

- Uzlieciet galvu uz kolonnas tā, lai patrona atrodas virs galda.
PIEZĪME: Instruments ir smags. Lūdziet palīdzību, ja nepieciešams.
- Nolaidiet galvu lejup, cik tālu vien iespējams. Savietojiet galda mezglu ar pamatni, tad pievelciet divas galvas regulēšanas skrūves ar seškanšu atslēgu.

PADEVES ROKTURU UZSTĀDĪŠANA

Skatiet 12. attēlu.

- Pievienojiet trīs padeves rokturus, ieskrūvējot tos atverēs ar vītņēm uz padeves mezgla ass.

PATRONAS UZSTĀDĪŠANA

Skatīt attēlus 13 - 15.

⚠ BRĪDINĀJUMS

Pirms jebkādas patronas uzstādīšanas uz urbjašinas galvas, notīriet visas saskarsmes virsmas ar naftas produktus nesaturošu šķīdumu. Jebkāda eļļa vai smērviela, kas izmantota šo detaļu iepakojšanai transportēšanai, ir jānotīra, citādi patrona lietošanas laikā var palikt vaļīga.

- Iztīriet patronas konusa atveri ar tīru drānu un spirtu nesaturošu tīrītāju. Rūpīgi noslaukiet visas eļļas paliekas un jebkādas netīrumus vai putekļus.
- Tādā pašā veidā kā iepriekš notīriet koniskās virsmas uz ass.





PIEZĪME: Pārļiecinieties, ka virsmām nav pielipuši svešķermeņi. Visniecīgākās netīrumu vai eļļas paliekas uz jebkuras no šīm virsmām izraisīs patronas nepareizu sēžu. Tas izraisīs urbja patronas un urbja vibrāciju.

3. Uzlieciet patronu uz ass. Patronai jābūt pilnīgi atvērtai, lai izvairītos no saspiedēju bojāšanas.
4. Atlaidiet galda atbalsta fiksatoru un atvirziet galdu nost no patronas apakšas.
5. Uzlieciet patronu uz vārpstas, uzspiežot to līdz galam uz augšu.
6. Izmantojot koka gabalu, lai aizsargātu patronu, kārtīgi uzsēdiniet patronu vietā, izmantojot metāla vai gumijas āmuru.

▲ UZMANĪBU

Īpašuma bojājumu risks. Lai novērstu patronas bojājumus, nekad nesitiet patronu uz ass tieši ar metāla āmuru.

PATRONAS NOŅĒMŠANA

1. Nogrieziet padeves rokturus uz leju, lai nolaistu patronu zemākajā stāvoklī.
 2. Uzlieciet šarnīru novilcēju (nav parādīts) uz patronas un viegli uzsitiet ar gumijas vai metāla āmuru, lai izraisītu patronas atdalīšanos no ass.
- PIEZĪME:** Nekad neveiciet tiešus sitienus pa patronu ar āmuru.

PIEZĪME: Lai novērstu patronas iespējamus bojājumus, vispirms paceliet galvu līdz galam uz augšu un esiet gatavi uztvert patronu, tai krītot.

STACIONĀRĀS URBJMAŠĪNAS NOSTIPRINĀŠANA UZ VIRSMAS

Skatiet 16. attēlu.

Ja instrumentu paredzēts izmantot pastāvīgā vietā, piestipriniet to pie darba sola vai citas stabilas virsmas.

Ja izstrādājumu paredzēts lietot kā pārvietojamu instrumentu, nofiksējiet to uz montāžas dēļa, kuru pēc tam var ar spailēm nostiprināt uz darba sola vai citas stabilas virsmas. Montāžas dēlim ir jābūt pietiekoši liela izmēra, ka novērstu saspēšanās izstrādājuma lietošanas laikā. Izmantošanai derēs jebkura labas kvalitātes finiera vai skaidu plāksne.

1. Atzīmējiet atveres uz virsmas, kur urbjmašīna tiks nostiprināta, izmantojot kā šablonu atveres stacionārās urbjmašīnas pamatnē.
2. Izurbiet caurumus caur montāžas virsmu.
3. Novietojiet urbjmašīnu uz montāžas virsmas, savietojot atveres pamatnē ar montāžas virsmā izurbtajiem caurumiem.
4. Ievietojiet skrūves (nav komplektācijā) un rūpīgi tās novelciet, izmantojot atsperu paplākšņus un uzgriežņus (nav komplektācijā).

Ja paredzēts izmantot kokskrūves, tām jābūt pietiekoši garām, lai ietu cauri urbjmašīnas pamatnei un materiālam, uz kura urbjmašīna tiks nostiprināta. Ja paredzēts izmantot skrūves un uzgriežņus,

pārbaudiet, vai tās ir pietiekoši garas, lai sniegtos cauri urbjmašīnas pamatnei, materiālam, uz kuras urbjmašīna tiks stiprināta, un paliktu vieta atsperu paplākšņiem un uzgriežņiem.

PIEZĪME: Visas skrūves ir jāievieto no augšas. Uztādiat atsperu paplākšņus un uzgriežņus no darba sola apakšpusēs.

Kad izstrādājums ir droši nostiprināts uz izturīgas virsmas:

1. Pārbaudiet vibrāciju, kad motors ir ieslēgts.
2. Noregulējiet un pievelciet uzstādīto aprīkojumu, ja nepieciešams.
3. Pārbaudiet galda mezglu, lai pārļiecinātos, par vienmērīgu tā kustību augšup un lejup pa kolonnu.
4. Pārbaudiet, lai nodrošinātu, ka urbjmašīnas ass kustās bez traucējumiem.

PATRONAS ATSLĒGAS GLABĀŠANA

Skatiet 17. attēlu.

Patronas atslēgai paredzēts turētājs atrodas izstrādājuma labajā pusē.

SLĪPA URBŠANA

Skatiet 18. attēlu.

PIEZĪME: Instrumentam ir noliekuma skala, lai mērītu aptuvenus noliekuma leņķus. Ja nepieciešama precīza mērīšana, izmantojiet leņķi vai citu mērinstrumentu, lai novietotu galdu. Lai izmantotu slīpuma skalu:

1. Pievelciet fiksācijas tapas uzgriezni ar 10 mm vai regulējamu atslēgu pulksteņa rādītāja virzienā, lai atbrīvotu tapu no tās galda atbalsta. Šī tapa būs nepieciešama, lai novietotu galdu atpakaļ tā 0 grādu leņķī pret galda balstu. Neizmetiet to.
2. Atlaidiet lielo galda slīpuma fiksācijas skrūvi ar sešstūru galvu, izmantojot 17 mm vai regulējamu atslēgu.
3. Nolieciet galdu, savietojot vēlamo slīpuma leņķa rādītāju ar nulles līniju uz skalas.
4. Novelciet galda slīpuma fiksācijas skrūvi
5. Lai atgrieztu galdu tā sākotnējā stāvoklī, atlaidiet galda slīpuma fiksācijas skrūvi. Atgrieziet galdu atpakaļ 0° stāvoklī.
6. Uzskrūvējiet uzgriezni uz sprosttapas vītņu ārējās daļas. Viegli uzsitiet pa sprosttapu ar gumijas āmuru, līdz tā iesēžas atbilstošajā galda kronšteina atverē. Pievelciet uzgriezni ar roku.

PIEZĪME: Lai ilustrācijā parādītu skaidri, galds ir noņemts.

▲ BRĪDINĀJUMS

Lai novērstu ievainojumus, vienmēr atvienojiet kontaktdakšu no sprieguma avota, veicot jebkādas regulēšanas darbus.

URBJA ASS/ SPOLE

Skatiet 20. attēlu.

Grieziet padeves rokturus pretī pulksteņrādītāja





virzienam, lai nolaistu asi tās zemākajā stāvoklī. Satveriet patronu un pakustīniet no priekšas uz aizmuguri. Ja konstatēts pārmērīgs brīvģājiens, veiciet sekojošus regulējumus:

1. Atļaidiet fiksācijas uzgriezni, kas atrodas izstrādājuma labajā pusē, izmantojot 10 mm atslēgu.
2. Pagrieziet skrūvi pulksteņrādītāja virzienā, lai novērstu brīvģājienu, izmantojot plakanu skrūvgriezi, bet neierobežojot ass vertikālo kustību. (Neliels ass brīvģājiens ir normāls.)
3. Pievelciet fiksācijas uzgriezni.

PATRONAS ASS ATGRIEŠANAS ATSPERE

Skatiet 21. attēlu.

Patronas ass atgriešanas atsperei nepieciešama regulēšana, ja atgriešana ir pārāk strauja vai pārāk lēna. Šī atspere atrodas uz urbja mašīnas galvas kreisās puses.

1. Nolaidiet galdu, lai iegūtu papildus telpu.
2. Ievietojiet skrūvgriezi apakšējā atsperes vāciņa spraugā. Turiet to vietā, vienlaikus noskrūvējot ārējo fiksācijas uzgriezni ar 10 mm atslēgu.
3. Skrūvgriezim joprojām atrodoties vietā, atļaidiet iekšējo uzgriezni tieši tik daudz, lai atspere atbrīvotos no urbja mašīnas galvas.

PIEZĪME: Nenoskrūvējiet iekšējo uzgriezni, tas izraisīs pilnīgu atsperes attīšanos.

4. uzmanīgi pagrieziet ar skrūvgriezi atsperes vāciņu pulksteņrādītāja virzienā, lai nofiksētu pret nākošo ierobi.
5. Nolaidiet urbja asi tā zemākajā stāvoklī, griežot padeves rokturi virzienā pret pulksteņrādītāja kustību, vienlaikus turot vietā atsperes vāciņu.
6. Ja vārpsta kustas augšup un lejup, kā vēlaties, novelciet iekšējo uzgriezni pret atsperes vāciņu, turot to ar atslēgu. Ja atspere ir pārāk valīga, atkārtojiet soļus no 3. līdz 5., lai pievilkto. Ja atspere ir pārāk cieša, pretējā virzienā veiciet soļus 4. un 5.
7. Novelciet ar atslēgu ārējo uzgriezni pret iekšējo.

PIEZĪME: Nepārvelciet un neierobežojiet ass gājienu.

SIKSNAS SPRIEGOJUMS

Skatiet 22. attēlu.

1. Atveriet skriemeļu vāku.
2. Lai atbrīvotu siksnas spriegojumu, pagrieziet siksnas spriegojuma fiksācijas pogu uz urbja mašīnas galvas labajā pusē pretī pulksteņrādītāja virzienam.
3. Pavelciet motoru uz priekšpusi, lai atbrīvotu siksnas spriegojumu.
4. Novietojiet siksnu uz pareizā skriemeļu pāra, lai panāktu vēlamo ātrumu.
5. Stumiet motoru prom no urbja mašīnas galvas līdz siksnai ir pareizi nospriegota.

PIEZĪME: Siksnas spriegojums ir pareizs, ja uzspiežot tās centrā, sikсна padodas aptuveni 13 mm (1/2").

6. Pievelciet siksnas spriegojuma fiksācijas pogu, lai nostiprinātu motoru vietā. Aizveriet skriemeļu vāku.

LĀZERA TĒMEKĻA PĀRBAUDE/REGULĒŠANA

Izstrādājums ir aprīkots ar Laser Trac® tēmekli.

Lāzera stars ļauj jums redzēt urbja saskarsmes vietu, pirms jūs sākat urbšanu.

▲ BRĪDINĀJUMS

Izvairieties no tiešas saskarsmes ar acīm

Lāzera stars tiek raidīts, kad lāzera tēmeklis ir ieslēgts. Izvairieties no tiešas saskarsmes ar acīm. Vienmēr atvienojiet no sprieguma avota, pirms veikt jebkādas regulēšanas darbus.

- Lāzera tēmeklis nav rotālieta un tas nedrīkst nonākt bērnu rokās. Šīs ierīces nepareiza lietošana var izraisīt neatgriezeniskus acu bojājumus.
- Jebkāda regulēšana, lai palielinātu lāzera jaudu ir aizliegta.
- Izmantojot lāzera tēmekli, nevirziet to pret cilvēkiem vai atstarojošām virsmām. Neskatoties uz to, ka lāzera stars ir zemas intensitātes, tas var izraisīt acu bojājumus. Neskatieties tieši lāzera starā.
- Lāzera tēmekli nav remontējama daļu. Nekad neatveriet tā korpusu remontam vai regulēšanai.
- Lāzera brīdinājuma etiķete:



- Nenoņemiet vai neapklājiet brīdinājuma etiķetes. Etiķešu noņemšana palielina risku tikt pakļautam starojumam.
- UZMANĪBU: Izmantojot darbību kontrolīerīces, noregulējumus un pielietojamas veidus, kas nav norādīti šeit, var rasties bīstama radiācijas ietekme.
- Nemēģiniet remontēt vai izjaukt lāzera tēmekli. Ja nekvalificētas personas mēģina remontēt šo lāzera izstrādājumu, tas var izraisīt smagus ievainojumus. Jebkādu šī lāzera izstrādājuma remontu ir jāveic tikai pilnvarota servisa centra personālam.
- UZMANĪBU: Optisko instrumentu lietošana kopā ar šo izstrādājumu palielina acu ievainojumu briesmas.

▲ BRĪDINĀJUMS

Neizmantojiet aptumšotas brilles, lai uzlabotu lāzera stara redzamību. Aptumšotas brilles samazinās kopējo redzamību un traucēs normālai instrumenta lietošanai.

▲ BRĪDINĀJUMS

Lāzera starojums. Nekad nemērķējiet lāzera staru uz apstrādājamo materiālu, ja tam ir atstarojoša virsma. Nav ieteicams lāzera tēmekli izmantot uz pulētām, spīdīgām tērauda vai citām atstarojošām virsmām. Atstarojoša virsma var atstarot staru pret lietotāju vai citām personām.



LĀZERA LĪNIJU REGULĒŠANA

Skatiet 23. attēlu.

Pārbaudiet tēmekļa regulējumu, lai nodrošinātu, ka lāzera līniju krustpunkts atrodas tieši tajā vietā, kur urbis saskarsies ar apstrādājamo materiālu. Ja tā nav, lāzera līnijas ir jānoregulē, izmantojot lāzera regulēšanas pogas, kas atrodas pretējās galvas pusēs.

1. Atzīmējiet "X" uz nevajadzīga koka gabala.
2. Ielieciet patronā maza diametra urbi un savietojiet tā galu ar "X" līniju krustšanās vietu.
3. Nostipriniet koku pie galda.
4. Ieslēdziet lāzera tēmekli un pārliecinieties, ka lāzera līnijas sakrīt ar "X" krustpunktu uz koka gabala.
5. Ja lāzera līnijas nesakrīt, atlaidiet regulēšanas skrūves uz katra no lāzeru korpusiem ar seškanšu atslēgu un grieziet lāzera regulēšanas pogas, līdz līnijas krustojas atzīmētā "X" krustpunktā. Pievelciet regulēšanas skrūves, lai nostiprinātu.

EKSPLUATĀCIJA

▲ BRĪDINĀJUMS

Kaut arī labi pārzināt instrumentus, rīkojieties uzmanīgi. Atcerieties, ka ar īsu neuzmanības brīdi ir pietiekami, lai izraisītu nopietnas traumas.

▲ BRĪDINĀJUMS

Vienmēr valkājiet aizsargbrilles vai brilles ar sānu aizsargiem, lietojot instrumentus. Ja tas netiek ievērots, jūsu acis var lidot objekti, tādējādi radot nopietnas traumas

▲ BRĪDINĀJUMS

Nelietojiet nekādas papildierīces vai aksesuārus, ko nav rekomendējis šī produkta ražotājs. Ja tiek lietotas papildierīces vai piederumi, ko nav ieteicis ražotājs, tas var novest pie nopietnām traumām.

▲ BRĪDINĀJUMS

Lai izvairītos no iespējamiem ievainojumiem, turiet aizsargu aizvērtu un fiksētu, kamēr urbjmašīna darbojas.

ĀTRUMU UN SIKSNAS NOVIETOJUMA MAIŅA

Skatiet 24. attēlu.

Urbja ass ātrumu nosaka siksnas atrašanās stāvoklis uz skrīmeļiem galvas blokā. Ātrumu tabula, kas atrodas uz vāka galvas bloka iekšpusē parāda ieteicamos ātrumus un skrīmeļu konfigurāciju katrai urbšanas darbībai.

Lai mainītu skrīmeļu konfigurāciju:

1. Atveriet skrīmeļu vāku
2. Atlaidiet spriegojuma skrūvi.
3. Noņemiet siksnu.

4. Pārlieciet siksnu, atbilstoši norādītajam ātrumam tabulā.
5. Pievelciet spriegojuma skrūvi.

PIEZĪME: Skatīt sadaļu "Ieteicamais urbšanas ātrums" par ieteicamo urbšanas ātrumu katram urbja izmēram.

IETEICAMAIS URBŠANAS ĀTRUMS

URBŠANAS ĀTRUMU TABULA (APGR./MIN)			
Urbja diametrs (Collas)	Materiāls		
	Koks Plastikāti	Alumīnijs Cinks Misiņš	Dzelzs Tērauds
1/16	2430	2430	2430
1/8			1800
3/16		1800	1300
1/4			800
5/16			
3/8	1300	510	
1/2	1800		

Ieslēgšanas/izslēgšanas slēdzis

Skatiet 25. attēlu.

Lai ieslēgtu instrumentu:

1. Nospiediet ieslēgšanas pogu (I).

Lai izslēgtu instrumentu:

1. Nospiediet izslēgšanas pogu (O).

▲ BRĪDINĀJUMS

Vienmēr pārliecinieties, ka urbjamais materiāls nesaskaras ar urbi, pirms nospiest slēdzi, lai ieslēgtu urbjmašīnu. Šī brīdinājuma neievērošanas gadījumā detaļa var tikt atņemta operatora virzienā un izraisīt nopietnu traumu.

URBJU IELIKŠANA UN IZŅEMŠANA

Skatiet 26. attēlu.

1. Atvienojiet izstrādājumu no sprieguma.
2. Atveriet vai aizveriet spļipatronas spīles tā, lai atvērums ir nedaudz lielāks par izmantošanai paredzētā uzgaļa lielumu.
3. Ievietojiet urbi patronā visā saspiedēju garumā.

▲ BRĪDINĀJUMS

Nievietojiet urbi patronas spīlēs un nepievelciet, kā parādīts 19. attēlā. Tas var izraisīt urbja izmešanu no urbjmašīnas, radot iespējamus smagus ievainojumus vai patronas bojājumus.

4. Kārtīgi novelciet patronas spīles, izmantojot komplektā esošo patronas atslēgu. Neizmantojiet uzgriežņu atslēgu, lai saļautu vai atbrīvotu patronas žokļus.



- Izņemiet patronas atslēgu.
- Lai izņemtu urbi, veiciet iepriekš minētos soļus pretēji.

▲ BRĪDINĀJUMS

Lai izvairītos no ievainojumiem vai negadījumiem, kad patronas atslēga tiek izņemta no patronas, ieslēdzot urbjmašīnu, izmantojiet tikai pašizstumjošo patronas atslēgu, kas tiek piegādāta komplektā ar stacionāro urbjmašīnu. Vienmēr pārbaudiet un izņemiet patronas atslēgu, pirms ieslēgt urbjmašīnu. Ievietojiet patronas atslēgu tās turētājā, kad nelietojat.

JŪSU AIZSARDZĪBAI

▲ BRĪDINĀJUMS

Lai izvairītos no pievilkšanas pie elektroinstrumenta, nevalkājiet vaļīgu apģērbu, kaklasaites vai juvelierizstrādājumus. Vienmēr atstieniet garus matus.

URBŠANA NOTEIKTĀ DZĪLUMĀ

Veikt urbumu (neizurbjot cauri urbjamam materiālam) līdz noteiktam dziļumam var divos veidos:

Urbjamā materiāla metode

Skatiet 27. attēlu.

- Atzīmējiet cauruma dziļumu uz urbjamā materiāla malas.
- Urbjmašīnai esot izslēgtai, nolaidiet urbi lejā, līdz tā gals ir līdz ar atzīmi.
- Turiet padeves rokturi šādā stāvoklī.
- Pagrieziet apakšējo uzgriezni, lai tas nonāktu saskarsmē ar dziļuma ierobežotāju uz galvas.
- Noskrūvējiet lejā augšējo uzgriezni un pievelciet to pret apakšējo uzgriezni.
- Urbs tagad tiks apturēts, kad sasniegs dziļumu, kas atzīmēts uz urbjamā materiāla.

Dziļuma skalas metode

Skatiet 28. attēlu.

PIEZĪME: Patronai atrodoties augšējā stāvoklī, urbja galam jāatrodas tikai nedaudz virs urbjamā materiāla virsmas.

- Slēdzim atrodoties izslēgtā stāvoklī, pagrieziet padeves rokturi, līdz indikators norāda uz nepieciešamo dziļumu uz skalas, un turiet padeves rokturi šajā stāvoklī.
- Pagrieziet apakšējo uzgriezni, lai tas nonāktu saskarsmē ar dziļuma ierobežotāju.
- Noskrūvējiet augšējo uzgriezni un pievelciet to pret apakšējo atduri un pievelciet.
- Urbs tiks apturēts, kad sasniegs dziļumu, kas izvēlēta uz dziļuma skalas.

Cauruma urbšana

- Izmantojot ķerņi vai asu naglu, atzīmējiet vietu uz materiāla, kur vēlaties veikt urbumu.
- Ieslēdziet lāzera tēmekli un savietojiet lāzera līnijas atzīmi.
- Ieslēdziet urbjmašīnu un novelciet lejā padeves rokturus tikai ar tik lielu spēku, lai urbis varētu urbt.

Pārāk liels spiediens var izraisīt siksnas vai urbja slidēšanu, urbjamā gabala izraušanu vai urbja salaušanu.

Urbjot metālu, būs nepieciešams ieeļļot urbja galu ar metāla urbšanas eļļu, lai novērstu pārkaršanu.

- Ja jebkāda jūsu izstrādājuma daļa iztrūkst, nestrādā, ir bojāta vai salauzta, nekavējoties pārtrauciet darbu, līdz šī daļa tiek salabota vai nomainīta.
- Nekad nenovietojiet pirkstus vietā, kurā tie var nonākt saskarsmē ar urbi vai citu griešanas aprīkojumu. Urbjamais materiāls var negaidīti pārvietoties, vai rokas var paslidēt.
- Lai novērstu urbjamā materiāla izraušanu no rokām, aizmešanu, griešanas kopā ar instrumentu vai saplēšanu, vienmēr kārtīgi to atbalstiet:
 - Vienmēr novietojiet pamata materiālu (tiek izmantots zem urbjamā materiāla) tā, lai tas saskartos ar kolonnas kreiso pusi.
 - Kad vien iespējams, novietojiet urbjamo materiālu tā, lai tas atspiestos pret kolonnas kreiso pusi. Ja tas ir pārāk īss vai galds ir noliekts, ar spailēm piestipriniet to pie galda, izmantojot rievas galdā.
 - Izmantojot urbjmašīnas skrūvspīles (nav komplektā), vienmēr pieskrūvējiet tās pie galda.
 - Nekad neveiciet darbu, turot materiālu rokā, nevis atbalstot to uz galda, izņemot pulēšanas vai slīpēšanas darbus.
 - Kārtīgi nostipriniet galvu un atbalstu pie kolonnas, galda konsoli pie atbalsta un galdu pie galda konsoles pirms sākt lietot urbjmašīnu.
 - Nekad nekustiniet galvu vai galdū, kamēr urbjmašīna strādā.
 - Pirms darba uzsākšanas, īsi ieslēdziet motoru, lai pārliecinātos, ka urbis vai cits griešanas aprīkojums nesaīgā un neizraisa vibrācijas.
 - Ja urbjamais gabals sniedzas pāri galdam tā, ka tas var nokrist vai apgāzties, nostipriniet to ar spaili vai nodrošiniet papildus atbalstu.
 - Izmantojiet stiprinājumus nestandarta darbiem, lai atbilstoši fiksētu, virzītu vai novietotu urbjamo materiālu.
 - Izmantojiet urbja ass ātrumu, kas tiek ieteikts atbilstošajam darbam un materiālam. Pārbaudiet pēc tabulas skriemeļu vāka iekšpusē, vai skatiet sadaļu "Ieteicamais urbšanas ātrums", lai iegūtu informāciju par urbšanas ātrumu. Papildaprīkojumam, skatiet instrukcijas, kas tiek sniegtas kopā ar aprīkojumu.
- Nekad nekāpiet uz urbjmašīnas galda, tas var salūzt, vai apgāzt visu urbjmašīnu jums virsū.
- Pabeidzot darbu, izslēdziet urbjmašīnu un sprieguma padevi tās kontaktā.
- Lai izvairītos no ievainojumiem no lidojošiem priekšmetiem vai saskarsmes ar instrumentu, neveiciet izklāšanas, salikšanas vai iestatīšanas darbus, ja urbšanas instruments darbojas.

EN

FR

DE

ES

IT

NL

PT

DA

SV

FI

NO

RU

PL

CS

HU

RO

LV

LT

ET

HR

SL

SK

BG

UK

TR

EL



GALDA UN URBJAMĀ MATERIĀLA NOVĪETOJUMS

Skatiet 29-30. attēlu.

1. Nofiksējiet galdu pie kolonnas tādā stāvoklī, lai urbja gals atrodas tieši virs urbjamā materiāla virsmas.
2. Vienmēr novietojiet paliktni (nevajadzīgu kokmateriālu) uz galda virs urbjamā materiāla. Tas novērsīs plaisāšanu vai atskabargas uz urbjamā materiāla apakšējās virsmas. Lai novērstu paliktņa griešanos, atbalstiet to pret kolonnas kreiso malu.
3. Izmantojiet atbilstošus apstrādājamā materiāla, kas nokarājas, atbalstus.

▲ BRĪDINĀJUMS

Lai novērstu urbjamā materiāla vai paliktņa aizmešanu urbšanas laikā, vienmēr jānovieto urbjamais materiāls, lai tas atbalstītos pret kolonnas kreiso pusi. Ja urbjamais materiāls vai paliktņš nav tik gari, lai atbalstītos pret kolonnu, piespiediet tos ar spaili pie galda, lai novērstu kustību. Neveicot urbjamā materiāla nostiprināšanu, var gūt ievainojumus.

▲ BRĪDINĀJUMS

Urbjmašinas skrūvspīlēm ir jābūt piespiestām vai pieskrūvētām pie galda, lai izvairītos no rotējoša urbjamā materiāla, bojātu skrūvspīļu vai urbja daļu radītiem ievainojumiem.

URBŠANAS VIETAS FIKSĀCIJA

1. Izmantojot ķerni vai asu naglu, atzīmējiet vietu uz materiāla, kur veiksiet urbumu.
2. Ieslēdziet lāzera tēmekli un savietojiet lāzera līnijas atzīmi (x) ar atzīmi uz materiāla, pirms ieslēgt urbjmašīnu.

GALDA NOLIEKŠANA

Skatiet 31. attēlu.

PIEZĪME: Galda balstam ir izurbta atvere ar tajā ievietotu fiksācijas tapu, lai noturētu galdu iepriekš iestatītā 0° slīpumā.

1. Pievelciet fiksācijas tapas uzgriezni ar 10 mm vai regulējamu atslēgu pulksteņa rādītāja virzienā, lai atbrīvotu tapu no galda atbalsta. Šī tapa būs nepieciešama, lai novietotu galdu atpakaļ tā 0 grādu leņķī pret galda balstu.
2. Atļaidiet lielo galda slīpuma fiksācijas skrūvi ar sešstūru galvu, izmantojot 17 mm vai regulējamu atslēgu.

▲ BRĪDINĀJUMS

Lai novērstu ievainojumus, noteikti turiet galdu un galda konsoles mezglu, lai tas neliektos vai nešūpotos.

3. Nolieciet galdu, savietojot vēlamo slīpuma leņķa rādītāju ar nulles līniju uz skalas.

4. Novelciet galda slīpuma fiksācijas skrūvi
5. Lai atgrieztu galdu tā sākotnējā stāvoklī, atļaidiet galda slīpuma fiksācijas skrūvi. Atgrieziet galdu atpakaļ 0° stāvoklī.
6. Uzskrūvējiet uzgriezni uz sprosttapas vītņu ārējās daļas. Viegli uzstiet pa sprosttapu, līdz tā iesēžas atbilstošajā galda kronšteina atverē. Pievelciet uzgriezni ar roku.

▲ BRĪDINĀJUMS

Lai izvairītos no rotējoša urbjamā materiāla vai instrumentu salūšanas, vienmēr nostipriniet urbjamu materiālu un paliktni pie galda, pirms lietot stacionāro urbjmašīnu.

PADEVE

1. Velciet lejā padeves rokturus tikai ar tik lielu spēku, lai urbis varētu urbt.
2. Pārāk lēna padeve var izraisīt urbja apdegšanu. Pārāk liels spiediens var izraisīt siksnas vai urbja slīdēšanu, urbjamā gabala izraušanu vai urbja salaušanu.
3. Urbjot metālu, urbja gals ir jāieeļļo, lai novārstu urbjamā gabala un urbja pārkaršanu.

APKOPE

▲ BRĪDINĀJUMS

Jūsu drošībai, izslēdziet urbjmašīnu un atvienojiet kontaktdakšu no sprieguma avota, pirms veikt urbjmašīnas apkopi vai eļļošanu.

Regulāri nopūtiet ar saspiestu gaisu vai nosūciet ar putekļsūcēju jebkādas urbšanas putekļus vai metāla skaidas, kas var uzkrāties pie motora, skrīmeļiem, uz galda vai darba virsmas. Lietojot instrumentu, vienmēr valkājiet aizsargbrilles.

▲ BRĪDINĀJUMS

Lai izvairītos no elektrotraumām vai uzliesmošanas briesmām, ja elektrības vads ir nodilis vai jebkāda veidā iegriezts, nekavējoties veiciet tā nomaiņu, izsaucot elektriķi vai servisa tehniķi.

EĻĻOŠANA

Visi stacionārās urbjmašīnas gultņi ir piepildīti ar smērvielu jau rūpnīcā. Tiem nav nepieciešama turpmāka eļļošana.

Periodiski ieeļļojiet zobratu un zobstieni, galda paceļšanas mehānismu un urbja ass nolaišanas mehānisma zobstieni. Nolaidiet urbja asi leņķī, lai ieeļļojiet ass korpusu katrus trīs mēnešus.

TRANSPORTĒŠANA UN UZGLABĀŠANA

Skatiet 32. attēlu.

Pārvadājot produktu, atvienojiet barošanas vadu un pārliecinieties, ka visas daļas ir kārtīgi nostiprinātas. Skatīt 32. attēlu, kurā norādītas satveršanas vietas, lai paceltu produktu.

Glabājiet ierīci drošā vietā, kas nav pieejama bērniem.

Pirms uzglabāšanas, notīriet ierīci ar otīņu vai putekļu sūcēju.

SIMBOLS



Drošības brīdinājums



Eiropas atbilstības zīme



Lielbritānijas atbilstības zīme



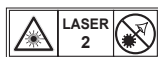
Ukrainas atbilstības zīme



EurAsian atbilstības marķējums



Pirms iedarbināt izstrādājumu, lūdzu, uzmanīgi izlasiet norādījumus.



Lāzera starojums.
Neskatieties staru kūlī.
2. klases lāzera produkts



Sargājiet no lietus un nelietojiet mitrās vietās.



Lietojiet dzirdes aizsargus



Vienmēr lietojiet aizsargbrilles.



Patronas garums



Urbja vārpstas gājiens



Urbšanas savietošana



Urbja diametrs (collas)



Koks



Alumīnijs
Cinks
Misiņš



Dzelzs
Tērauds



Neizmetiet elektrisko un elektronisko iekārtu atkritumus kā nešķirotus sadzīves atkritumus. Elektrisko un elektronisko iekārtu atkritumi jāsavāc atsevišķi. Gaismas avotu atkritumi ir jāizņem no iekārtām. Sazinieties ar vietējo pašvaldību vai mazumtirgotāju, lai saņemtu ieteikumus pārstrādei un savākšanas punktus. Saskaņā ar vietējiem noteikumiem mazumtirgotājiem var būt pienākums bez maksas pieņemt atpakaļ elektrisko un elektronisko iekārtu atkritumus. Jūsu ieguldījums elektrisko un elektronisko iekārtu atkritumu otrreizējā izmantošanā un otrreizējā pārstrādē palīdz samazināt izejvielu pieprasījumu. Elektrisko un elektronisko iekārtu atkritumi satur vērtīgus un pārstrādājamus materiālus, kas var nelabvēlīgi ietekmēt vidi un cilvēku veselību, ja tos neapglabā viedē draudzīgā veidā. Izdzēsiet no atkritumos nododamajām iekārtām personīgos datus, ja tādi tur ir.

PROBLĒMU NOVĒRŠANA

Problēma	Iespējamais iemesls	Risinājums
Skaļa darbība.	<ol style="list-style-type: none"> 1. Nepareizs siksnas spriegojums. 2. Urbja ass ir sausa. 3. Urbja ass skriemelis ir vaļīgs. 4. Motora skriemelis ir vaļīgs. 	<ol style="list-style-type: none"> 1. Noregulējiet spriegojumu. Skatīt sadaļu "Siksnas spriegojums". 2. Ieeļļojiet urbja asi. Skatīt sadaļu "Eļļošana". 3. Pārbaudiet skriemeļa fiksācijas uzgriezni un pievelciet, ja nepieciešams. 4. Pievelciet motora skriemeļa regulēšanas skrūvi.
Urbis apdeg.	<ol style="list-style-type: none"> 1. Nepareizs ātrums. 2. Urbšanas skaidas nenāk ārā no atveres. 3. Urbis ir truls. 4. Padeve ir pārāk lēna. 5. Nav ieeļļots. 	<ol style="list-style-type: none"> 1. Mainiet ātrumu. Skatīt sadaļu "Ātrumu maiņa un siksnas nomaiņa". 2. Biežāk izvelciet urbi, lai izvadītu skaidas. 3. Uzasiniet urbi, vai nomainiet ar jaunu urbi. 4. Nodrošiniet ātrāku padevi - ļaujiet urbim urbt. 5. Ieeļļojiet urbi. Skatīt sadaļu "Padeve".
Urbja nodilums - izurbtā atvere nav apaļa.	<ol style="list-style-type: none"> 1. Cietas koka šķiedras vai urbšanas dziļums un/vai leņķi nav vienādi. 2. Urbis ir saliekts. 	<ol style="list-style-type: none"> 1. Pareizi uzasiniet urbi. 2. Nomainiet urbja uzgali.
Koka skaidas apakšējā virsmā.	<ol style="list-style-type: none"> 1. Nav izmantots paliktnis zem urbjamā materiāla. 	<ol style="list-style-type: none"> 1. Izmantojiet paliktni. Skatīt sadaļu "Lietošana".
Urbjamais gabals izrauts no rokām.	<ol style="list-style-type: none"> 1. Urbjamais materiāls nav atbalstīts vai nav pareizi nostiprināts. 	<ol style="list-style-type: none"> 1. Atbalstiet urbjamu materiālu vai nostipriniet ar spaili. Skatīt sadaļu "Lietošana".
Urbis iestrēgst urbjamajā materiālā.	<ol style="list-style-type: none"> 1. Urbjamais materiāls saķeras ar urbi, vai pārmērīgs padeves spiediens. 2. Nepareizs siksnas spriegojums. 	<ol style="list-style-type: none"> 1. Atbalstiet urbjamu materiālu vai nostipriniet ar spaili. Skatīt sadaļu "Lietošana". 2. Noregulējiet spriegojumu. Skatīt sadaļu "Siksnas spriegojums".
Pārmērīgs urbja nodilums vai staigāšana.	<ol style="list-style-type: none"> 1. Urbis ir saliekts. 2. Nodiluši gultņi. 3. Urbis nav pareizi uzstādīts patronā. 4. Patrona nav pareizi uzstādīta. 	<ol style="list-style-type: none"> 1. Izmantojiet taisnu urbi. 2. Nomainiet gultņus. 3. Uzstādiet urbi pareizi. Skatīt sadaļas "Lietošana" un "Salikšana un regulēšana". 4. Uzstādiet patronu pareizi. Skatīt sadaļu "Patronas uzstādīšana".
Urbja ass atgriežas atpakaļ pārāk lēni vai pārāk ātri.	<ol style="list-style-type: none"> 1. Atvilkšanas atspere ir nepareizs spriegojums. 	<ol style="list-style-type: none"> 1. Noregulējiet atsperes spriegojumu. Skatīt sadaļu "Urbja ass atgriešanas atspere".
Patrona neturas pie urbja ass. Tā krīt nost, mēģinot to uzstādīt.	<ol style="list-style-type: none"> 1. Neīrumi, smērviela vai eļļa uz patronas koniskās iekšējās virsmas vai urbja ass koniskās virsmas. 	<ol style="list-style-type: none"> 1. Izmantojot spirtu nesaturošu tīrītāju, notīriet patronas un urbja ass koniskās virsmas, lai notīrītu visus netīrumus, smērvielu un eļļu. Skatīt sadaļu "Patronas uzstādīšana".

APRAŠYMAS

1. Viršutinis blokas
2. Lentelė
3. Atraminė dalis
4. Stovas
5. Kolonos blokas
6. Stovo žiedas
7. Tiekimo rankenos
8. Sliedinis krumpiaratis
9. Stalo fiksavimo rankena
10. Stalo paleidimo rankena
11. Varžtai šešiakampe galvute
12. Laikiklis
13. Griebtuvo raktas
14. 4 mm šešiakampis raktas
15. 3 mm šešiakampis raktas
16. Kryžminis atsuktuvus
17. Reguliuojamas veržliaraktis
18. 12 mm veržliaraktis
19. Plaktukas arba guminė tvoklė
20. Universalus kampainis
21. Medinė kaladėlė
22. Variklis
23. Lazerio galvutė
24. Tuščiaavidurio veleno gražinimo ritė / spyruoklė
25. Stalo laikiklis
26. Skriemulio dangtis
27. Įjungimo / išjungimo mygtukas
28. Lazerio jungiklis
29. Viršutinis apsauginis įtaisas
30. Montavimo anga
31. Viršutinio bloko tvirtinimo varžtas
32. Diržo įtempimo fiksavimo rankenėlė
33. Griebtuvo rakto laikiklis
34. Suklio skriemulys
35. Variklio skriemulys
36. Stalo atrama
37. Stalo paleidimo rankenos anga
38. Kolonos atrama
39. Nustatymo varžtas
40. Viršutinis blokas
41. Viršutinio bloko tvirtinimo ir nustatymo varžtas
42. Besriegės angos
43. Stebulės blokas
44. Ašis
45. Varžtas x 2 (M12, nepridedamas)
46. Fiksavimo poveržlė x 4 (Dia. 12mm, nepridedama)
47. Guminė poveržlė x 2 (Dia. 12mm, nepridedama)
48. Plokščioji poveržlė x 2 (Dia. 12mm, nepridedama)
49. Antveržlė x 2 (M12, nepridedama)
50. Šešiakampė veržlė x 2 (M12, nepridedama)
51. Darbinis paviršius
52. Įstrižio skalė
53. Stalo nuožulnumo fiksavimo varžtas
54. Veržlė
55. Užrakinimo veržlė
56. Varžtai
57. Apatinė priekinė įranta
58. Spyruoklės dangtelis
59. Išorinė antveržlė
60. Vidinė veržlė
61. Griovelis
62. Prielaja
63. Laikiklio spaustuvai
64. Gražto antgalis
65. Gylis
66. Gylio skalės žymeklis
67. Gylio skalė
68. Viršutinė veržlė
69. Apatinė veržlė
70. Gylio stabdiklio ašelė
71. Ruošinyt

Gaminant šį gręžimo spaustuva didžiausia svarba buvo teikiama jo saugai, efektyvumui ir patikimumui.

NAUDOJIMO PASKIRTIS

Šis gręžimo spaustuvas skirtas skylėms gręžti medyje, plastike, aliuminyje ir pliene.

Gaminys skirtas naudoti suaugusiems operatoriams, kurie perskaitė instrukcijų vadovą ir supranta kylančius pavojus.

Šio įrenginio pagrindą reikia pritvirtinti prie tvirto darbatalio. Jei pagrindas nėra patikimai pritvirtintas, darbo metu visas įrenginys gali apvirsti, slysti arba judėti ant atraminio paviršiaus, o tai padidina sunkaus sužeidimo pavojų.

Įrenginį reikia naudoti sausoje aplinkoje, kurioje yra puikus aplinkos apšvietimas ir pakankama ventilacija.

Gaminys – platus vartojimo ir turi būti naudojamas tik pagal nurodytą paskirtį.

BENDROSIOS ELEKTRINIO ĮRANKIO SAUGOS TAISYKLĖS

⚠ ĮSPĖJIMAS

Perskaitykite visus saugos įspėjimus, visas instrukcijas, paveikslėlius ir techninius reikalavimus, pateikiamus su šiuo elektriniu įrankiu. Apačioje išdėstytų instrukcijų nesilaikymas gali sukelti elektros smūgį, gaisrą ir (ar) sunkius sužeidimus.

Kad tinkamai naudotumėte įrankį, žr. visus perspėjimus ir nurodymus. Įspėjimuose naudojama sąvoka „elektrinis įrankis“ reiškia prie elektros tinklo jungiamą (laidinį) elektrinį įrankį arba akumuliatoriumi maitinamą (belaidį) elektrinį įrankį.

DARBO ZONOS SAUGUMAS

- Darbo vieta turi būti švari ir gerai apšviesta. Nelaimingi atsitikimai įvyksta netvarkingose ar tamsiose vietose.
- Nenaudokite elektrinių įrankių, jei šalia yra degios ir sprogti galinčios medžiagos (degūs skysčiai, dujos ar dulksės). Elektriniai įrankiai kibirkščiuoja ir gali uždegti dulkes arba garus.
- Neleiskite vaikams ir šalia esantiems asmenims būti šalia įjungto elektrinio įrankio. Išsiblaškę galite prarasti kontrolę.

ELEKTROS SAUGA

- Elektrinio įrankio kištukai turi atitikti kištukinį lizdą. Niekada nekeiskite kištuko. Su įžemintais (įžeminimo) elektriniais įrankiais niekada nenaudokite kištukų adapterių. Nepakeisti kištukai ir atitinkantys lizdai sumažina elektros smūgio pavojų.
- Stenkitės nesiliesti prie įžemintų ar įžeminimo paviršių (vamzdžių, radiatorių, grandinių/

viryklių, šaldytuvų). Įžeminus savo kūną, padidės elektros smūgio pavojus.

- Saugokite elektrinius įrankius nuo lietaus ar drėgmės. Dėl vandens, patekusio į elektrinį įrankį, padidėja elektros smūgio pavojus.
- Laidą naudokite pagal jo paskirtį. Niekada jo nenaudokite elektriniams įrankiams pernešti, tempti ar išjungti. Saugokite maitinimo laidą nuo karščio, tepalų, aštrių kampų bei judančių detalių. Pažeisti ar supainioti laidai padidina elektros smūgio galimybę.
- Dirbdami su elektriniu įrankiu lauke, naudokite tik lauke naudoti skirtus ilginamuosius laidus. Naudojant tinkamą laukui laidą sumažinama elektros smūgio tikimybė.
- Jei būtina naudotis elektriniu įrankiu drėgnomis oro sąlygomis, naudokite likutinės srovės prietaisą (RCD). Naudojant RCD sumažinama elektros smūgio tikimybė.

ASMENINĖ SAUGA

- Dirbdami su prietaisu būkite budrūs, stebėkite, ką darote bei vadovaukitės sveika nuovoka. Nenaudokite įrankio, jei esate pavargę, paveikti kvaišalų, alkoholio ar vaistų. Neatidumas darbo su elektriniu įrankiu metu gali sukelti sunkius sužeidimus.
- Dėvėkite asmenines apsaugos priemones. Visada dėvėkite akių apsaugos priemones. Apsauginės priemonės, pavyzdžiui, apsauginės kaukės, batai neslidžiais padais, šalmas arba klausos apsaugos priemonės, naudojamos atitinkamomis darbo sąlygomis, sumažins pavojų susižaloti.
- Saugokitės, kad įrankis netyčia neužsivestų. Prieš prijungdami gaminį prie maitinimo ir (arba) akumuliatorių bloko, jį keldami arba nešdami įsitikinkite, kad jungiklis būtų išjungimo padėtyje. Nešant elektrinius įrankius ir laikant pirštą ant įjungimo jungiklio arba prijungiant elektrinius įrankius esant įjungtam jungikliui gali kilti nelaimingų atsitikimų.
- Prieš įjungiant elektrinį įrankį, išimkite derinimo raktą ar veržliaraktį. Jei juos paliksite pridėtus prie besisukančios įrankio dalies, galite susižaloti.
- Nesiekite per toli. Visada tvirtai stovėkite ir išlaikykite pusiausvyrą. Tai padės geriau kontroliuoti įrankį netikėtų situacijų metu.
- Dėvėkite tik darbu tinkamus drabužius. Nedėvėkite laisvų, neprigludusių drabužių ir juvelyrinių dirbinių. Saugokitės, kad judančios dalys neįtrauktų plaukų ir drabužių. Laisvi drabužiai, papuošalai ar ilgi plaukai gali įspainioti į judančias prietaiso detales.
- Jei pateikiami prietaisai dulkių ištraukimo ir surinkimo įrenginiais prijungti, būtinai tinkamai juos prijunkite ir naudokite. Naudojant dulkių surinkimo sistemą galima sumažinti dulkių keliamus pavojus.



- Nepasitikėkite vien savo patirtimi, įgyta dažnai naudojantis įrankiais, – neignorukite įrankio naudojimo saugos taisyklių. Aplaidus veiksmai akimirksniu gali sukelti sunkų sužalojimą.

ELEKTRINIO ĮRANKIO NAUDOJIMAS IR PRIEŽIŪRA

- Nenaudokite įrankio jėga. Reikia pasirinkti ir naudoti tinkamą paskirčiai gaminį. Tinkamu gaminiu šlifavimo darbai bus atliekami geriau, saugiau ir reikiamu projektiniu greičiu.
- Nenaudokite elektrinio įrankio, jei jungiklio negalite įjungti ir išjungti. Jungikliu nevaldomas elektrinis įrankis yra pavojingas ir jį reikia taisyti.
- Ištraukite kištuką iš energijos šaltinio ir (arba) išimkite iš elektrinio įrankio akumuliatorių, ir tik po to atlikite elektrinių įrankių reguliavimą, priedų keitimą arba paruošimo sandėliavimui darbus. Tokios prevencinės saugos priemonės sumažina pavojų, kad gaminys netyčia įsijungs.
- Laikykite elektrinį įrankį vaikams neprieinamoje vietoje ir neleiskite juo naudotis asmenims, kurie nemoka juo naudotis. Neįgudusiems asmenims elektriniai įrankiai yra pavojingi.
- Prižiūrėkite elektrinius įrankius ir priedus. Patikrinkite judančių detalių nesutapimus, sukibimą, ar sumontuotos detalės nesulūžusios bei kitą būklę, kuri gali turėti neigiamos įtakos įrankio veikimui. Jei įrankis sugedęs, prieš naudojimą jį reikia suremontuoti. Nemažai nelaimingų atsitikimų įvyksta dėl netinkamai prižiūrimų prietaisų.
- Pjovimo įrankiai privalo būti aštrūs ir švarūs. Prižiūrėkite, kad pjovimo įrankiai būtų švarūs ir aštrūs. Tinkamai prižiūrimi pjovimo įrankiai su aštriais asmenimis mažiau sukimba ir juos lengviau valdyti.
- Gaminį, priedus, įrankių antgalius ir kt. naudokite laikydamiesi šių instrukcijų, atsižvelgdami į darbo sąlygas ir darbo, kurį reikia padaryti, pobūdį. Naudokite elektrinį įrankį tik pagal tiesioginę paskirtį, kitaip sukelsite pavojingą situaciją.
- Rankenos ir paviršiai, už kurių yra laikomas įrankis, privalo būti sausi, švarūs, netepaluoti ir nealyvuoti. Slidžios rankenos ir laikymo paviršiai neleidžia saugiai naudotis įrankiu ir suvaldyti jo netikėtomis sąlygomis.

TECHNINĖ PRIEŽIŪRA

- Elektrinį įrankį turi remontuoti tik kvalifikuoti darbuotojai, kurie naudoja identiškas atsargines dalis. Tai užtikrina elektrinio įrankio saugumą.

GRĘŽIMO SPAUSTUVO NAUDOJIMO SAUGOS ĮSPĖJIMAI

- Gražta privaloma tinkamai įtaisyti. Netinkamai įtaisytas gražtas gali atsilaisvinti ir iškristi bei sužaloti naudotoją.
- Ruošinį privaloma įtvirtinti spaustuvais arba

prtvirtinti prie ruošiniui skirtos atramos. Negręžkite per mažų ruošinių, kurių neįmanoma įtvirtinti spaustuvais. Laikant apdorojamą ruošinį ranka, galima susižaloti.

- Nemūvėkite pirštinių. Besisukančios dalys arba drožlės gali įtraukti pirštines ir jus sužaloti.
- Įrankiu veikiant, rankas laikykite atokiai nuo gręžimo vietos. Prisilietus prie besisukančių dalių arba drožlių galima susižaloti.
- Prieš pradėdami stumti ruošinį, įsitikinkite, ar antgalis sukasi visu greičiu. Antraip antgalis gali užstrigti ruošinyje ir ruošinys gali netikėtai pajudėti bei jus sužaloti.
- Jei antgalis užstringa, tuoj pat liaukitės spaudę įrankį ir jį išjunkite. Patikrinkite antgalį ir imkitės korekcinį veiksmų užstrigimui pašalinti. Užstrigus antgaliui, ruošinys gali netikėtai pajudėti ir sužaloti.
- Stenkitės, kad nebūtų ilgų drožlių, kurios susidaro reguliariai silpniau spaudžiant įrankį. Aštrios metalinės drožlės gali įstrigti ir sužaloti.
- Niekada nebandykite šalinti drožlių iš gręžimo vietos įrankiu veikiant. Norėdami pašalinti drožles, atitraukite antgalį nuo ruošinio, išjunkite įrankį ir palaukite, kol antgalis nustos sukstis. Naudokitės įrankiu, pavyzdžiui, šepečiu arba kabliu drožlėms šalinti. Prisilietus prie besisukančių dalių arba drožlių galima susižaloti.
- Naudojant antgalius su nurodytais sukimosi greičio parametrais, sukimosi greitis privalo būti mažiausiai lygus maksimaliam greičiui, pažymėtam ant elektrinio įrankio. Priedai, kurie sukasi didesniu nei jų nustatytu greičiu, gali sulūžti, atsiskirti ir skriet į šonus.
- Gręžimo antgaliai turi būti švarūs ir aštrūs. Naudojant aštrius antgalius sumažėja strigimo pavojus. Naudojant nešvarius ir atšipusius antgalius gali išsiderinti medžiagos lygiavimas, kyla operatoriaus sužeidimo pavojus.
- Nekiškite rankų į darbo sritį. Laikykite rankas atokiai nuo gręžimo antgalio. Susiriškite visus palaidus drabužius, papuošalus, ilgus plaukus ir pan. Jie gali įspainioti antgalyje.
- Būtinai prispauskite ruošinį arba sąvaržą prie kolonos, kad negalėtų sukstis. Niekada nelaikykite gręžiamo ruošinio rankomis.
- Naudokite greitį, rekomenduojamą gręžimo įrankiui ir ruošinio medžiagai.
- Patikrinkite, ar gręžimo antgalis arba pjovimo įrankis tvirtai įdėtas į griebtuvą.
- Būtinai ištraukite griebtuvo raktą iš griebtuvo prieš prijungdami įrenginį prie maitinimo šaltinio arba įjungdami.
- Sureguliuokite stalą arba gylio stabdiklį, kad nepragręžtumėte stalo. Prieš palikdami įrenginį išjunkite energijos tiekimą, nuimkite gręžimo antgalį ir nuvalykite stalą.
- Naudodami lazerio kreiptuvą, stenkitės, kad jis



nešviestų tiesiai į akis.

- **Niekada nenukreipkite lazerio spindulio į atspindintį paviršių.** Blizgios ir šviesą atspindinčios medžiagos netinka naudoti su lazeriu.
- **Niekada neikiškite pirštų į vietą, kurioje jie gali paliesti gražtą ar kitą pjovimo įrankį, jei ruošinys netikėtai pajudėtų.**
- **Jokių darbų neatlikite judindami viršutinį bloką arba stalą vienas kito atžvilgiu.** Neįjunkite variklio jungiklio ir nepradėkite jokio darbo, kol neįsitikinsite, kad viršutinio bloko ir stalo atramos fiksavimo rankena yra gerai prispausta prie kolonos, o viršutinio bloko ir stalo atramos žiedai nustatyti tinkamai.
- **Prieš įjungdami įrenginį maitinimo jungikliu įsitikinkite, kad diržo apsauginis įtaisas nuleistas, o griebtuvas sumontuotas tinkamai.**
- **Palikdami įrenginį užrakinkite variklio jungiklį.** Neatlikite dėliojimo, surinkimo, arba konfigūravimo darbų ant stalo, kai pjovimo įrankis sukasi, yra įjungtas arba prijungtas prie maitinimo tinklo.
- **Jeigu maitinimo laidas pažeistas, jį turi pakeisti tik gamintojas arba įgaliota techninės priežiūros įmonė, kad būtų išvengta pavojaus.**
- **Nenaudojamus įrankius saugokite.** Nenaudojamus įrankius reikia laikyti sausoje, užrakintoje ir vaikams nepasiekiamoje vietoje.
- Įrankį visada rekomenduojama prijungti prie elektros tinklo lizdo, apsaugoto apsauginiu srovės nuotėkiu įtaisais, kurio liekamosios srovės stiprumas neviršytų 30 mA.
- **Išsaugokite šias instrukcijas.** Dažnai perskaitykite instrukciją, panaudokite instrukciją kitiems operatoriams apmokyti. Jeigu kam nors paskolinatė šį įrankį, tai kartu perduokite ir vartotojo instrukciją.

SAUGA DIRBANT SU LAZERIU

- Šiame 2 klasės lazeriniame įrenginyje naudojama maksimali 1mW galios ir 650 nm bangų ilgio lazerio radiacija. Jei nesilaikysite taisyklių, galite rimtai susižaloti.
- Darbo metu nežiūrėkite į spindulį.
- Lazerio spindulio nenukreipkite tiesiai į kitų asmenų akis. Tai gali sunkiai sužeisti akis.
- Lazerio nelaikykite tokioje padėtyje, kad kiti asmenys būtų priversti tyčia ar netyčia žiūrėti į lazerio spindulius.
- Nenaudokite optinių įrankių siekiant žiūrėti į lazerio spindulį.
- Lazerio nenaudokite vaikams esant šalia, taip pat neleiskite vaikams juo naudotis.
- Nebandykite remontuoti lazerio įtaiso patys.
- Nebandykite patys pakeisti jokių lazerio detalių.
- Bet kokius remonto darbus gali atlikti tik lazerio gamintojas ar įgaliotas techninės priežiūros atstovas.
- Lazerio nekeiskite kitokios rūšies lazeriu.

ŠALUTINIS PAVOJUS

Net naudojant gaminį griežtai pagal paskirtį neįmanoma visiškai atmesti kai kurių liktinių rizikos veiksnių. Kad sunkių sužeidimų pavojus būtų kuo mažesnis, šį gaminį naudojantis asmuo privalo atkreipti ypatingą dėmesį į šiuos punktus.

- Klausos pažeidimas – Dėvėkite tinkamą ausų apsaugą ir ribokite darbo šiuo gaminiu ar buvimo jam veikiant laiką.
- Regėjimo pažeidimas – Naudodami šį gaminį dėvėkite akių apsauginį skydą ar akinius.
- Vibracijos sukelti pažeidimai – Ribokite darbo laiką ir vadovaukitės rizikos ribojimo instrukcijomis šioje vadove.
- Kvėpavimo takų pakenkimas dulkelėmis, susidariusiomis naudojant gaminį – Priklausomai nuo dulkių tipo reikia dėvėti tinkamus apsauginius drabužius bei priemones.

⚠ ĮSPĖJIMAS

Atliekant šlifavimo, pjovimo, galandinimo, gręžimo ir kitus darbus statybose naudojant elektrinius įrankius, sukeltos dulės, kurių sudėtyje yra cheminių dalelių, sukeliančių vėžį, apsigimimus ar kitą žalą reprodukciniams organams. Žemiau pateikiame keletą šių chemikalų pavyzdžių:

- Švinas iš dažų, turinčių švino.
- kristalinis silicio dioksidas iš plytų, cementų ir kitų mūrijimo medžiagų.
- arsenas ir chromas iš chemiškai apdorotos pjautinės medienos.

Jums keliamas šių medžiagų pavojus skiriasi, priklausomai nuo to, kaip dažnai tokį darbą atliekate. Jei norite sumažinti šių medžiagų keliamą pavojų: dirbkite gerai vėdinamoje aplinkoje, naudodami patvirtintą saugumo įrangą, pvz. kaukę nuo dulkių, specialiai pagamintą filtruoti mikroskopines dulkių daleles.

ELEKTROS

Naudokite tik 3-ų laidų ilginamuosius laidus su 3 įžeminimo kištuko smaigaliais ir 3 polių patronus, kuriems tinkamas produkto kištukas. Dirbant elektriniu įrankiu didesniu atstumu nuo maitinimo šaltinio, naudokite pakankamai sunkų ilginamąjį laidą, kuris perneštų įrankio srovę. Dėl mažesnio ir lengvesnio ilginamojo laido įtampa gali sumažėti ir dėl to galia bus prarasta ir variklis gali perkaisti.

Prieš naudodami ilginamąjį kabelį patikrinkite, ar jame nėra laisvų arba atidengtų laidų ir ar nenusidėvėjo izoliacija.

⚠️ ĮSPĖJIMAS

Ilginamojo laido nelaikykite darbo zonoje. Ilginamąjį laidą ištieskite taip, kad jis neįsipainiotų į šiukšles, įrankius ar kitas kliūtis dirbant su elektriniu įrankiu. To nepadarius, gali kilti sunkių sužalojimų.

⚠️ ĮSPĖJIMAS

Prieš naudojimą ilginamuosius laidus visada patikrinkite. Pažeistą laidą būtina nedelsiant pakeisti. Įrankio su pažeistu laidu niekada nenaudokite, nes prisilietus prie laido pažeistos vietos gali kilti elektros smūgis bei jus sunkiai sužeisti.

PRIJUNGIMAS PRIE ELEKTROS ENERGIJOS ŠALTINIO

Šiame produkte yra preciziškai sumontuotas elektrinis variklis. Prietaisą reikia prijungti tik prie 220~240V, kintamosios srovės (įprasta srovė gyvenamuosiuose namuose) ir 50 Hz maitinimo šaltinio tinklo. Šio įrankio nenaudokite, jį prijungę prie nuolatinės srovės šaltinio. Dėl žymaus įtampos sumažėjimo dingsta elektra ir prietaisas perkaista. Jei jūsų prietaisas neveikia jį įjungus į kištukinį lizdą, dar kartą patikrinkite energijos tiekimą.

GREITIS IR LAIDŲ IŠVEDŽIOJIMAS

Toks greitis nėra pastovus ir jis sumažėja esant apkrovai ar mažesnei įtampai. Įtampos atžvilgiu, laidų išvedžiojimas dirbtuvėse yra tiek pat svarbus, kaip ir variklio arklio jėgos. Laidas, skirtas tik šviesai, negali tinkamai atlaikyti elektrinio įrankio variklio. Laidas, kuris pakankamai sunkus trumpam atstumui, bus per lengvas didesniai atstumui. Laidas, pakankamas vienam elektriniam įrankiui, gali būti nepakankamas dviems ar trimis įrankiams.

ĮŽEMINIMO INSTRUKCIJOS

Jei prietaisas blogai veikia ar sugenda, įžeminimas elektros srovei suteikia mažiausią varžą, taip sumažinant elektros smūgio pavojų. Šiame prietaise yra įmontuotas elektros laidas, kuriame yra įrangos įžeminimo konduktorius ir įžeminimo kištukas. Kištuką reikia įkišti į jį atitinkantį lizdą, kuris būtų tinkamai instaliuotas ir įžemintas pagal vietos kodus ir tvarką.

Pridedamo kištuko nekeiskite. Jei kištukas lizdai netinka, kvalifikuotas elektrikas turi įrengti tinkamą kištukinį lizdą. Netinkamai prijungus įrenginio įžeminimo laidininką, gali kilti elektros smūgio pavojus. Laidininkas su izoliacija, kurios išorinis paviršius žalias su geltonomis juostomis ar be jų, yra įrenginio įžeminimo laidininkas. Prireikus remontuoti arba pakeisti elektros laidą ar kištuką, nejunkite įrenginio įžeminimo laidininko prie gnybto, kuriuo teka srovė.

Nedelsdami pažeistą ar nusidėvėjusį laidą suremontuokite ar pakeiskite.

REKOMENDUOJAMI PRIEDAI**⚠️ ĮSPĖJIMAS**

Naudokite tik šiam įrenginiui rekomenduojamus priedus.

Vadovaukitės su priedais pateiktomis instrukcijomis. Naudoti netinkamus priedus pavojinga.

- Gražto antgalis
- Prispaudimo gnybtai
- Gręžimo spaustuvo griebtuvas

⚠️ ĮSPĖJIMAS

Naudokite tik šiam įrenginiui skirtus priedus, antraip jus gali sužeisti skriejančios sulūžusios dalis ar ruošinio atplaišos.

Naudoti bet kokį priedą leidžiama tik perskaicius tokio priedo instrukcijas arba naudojimo vadovą.

PAKUOTĖS TURINYS**IŠPAKAVIMAS IR TURINIO TIKRINIMAS****⚠️ ĮSPĖJIMAS**

Jei kokios nors dalies trūksta arba ji sugadinta, nejunkite įrenginio prie maitinimo tinklo, kol nepakeisite sugadintos arba trūkstamos dalies ir nesumontuosite viso įrenginio.

Rūpestingai išpakuokite įrenginį ir visas jo dalis, patikrinkite pristatytus komponentus pagal toliau pateiktą sąrašą.

Siekiant apsaugoti įrenginį nuo drėgmės, šlifuoti paviršiai buvo padengti apsaugine danga. Nuvalykite šią dangą minkšta šluoste, sudrėkinta žibalu arba WD-40.

⚠️ ĮSPĖJIMAS

Kad išvengtumėte gaisro arba apsinuodijimo, įrenginiui valyti niekada nenaudokite benzino, ligroino, acetono, lako skiediklio ar panašių didelio lakumo tirpiklių.

Stalą, koloną ir šlifavimo paviršius patepkite vašku, kad nerūdytų. Kruopščiai nuvalykite visas dalis švaria sausa šluoste.

Elementas	Aprašymas	Kiekis
1	Viršutinis blokas	1
2	Lentelė	1
3	Atraminė dalis	1
4	Stovas	1

5	Kolonos blokas	1
6	Stovo žiedas	1
7	Tiekimo rankenos	3
8	Sliekinis krumpliaratis	1
9	Stalo fiksavimo rankena	1
10	Stalo paleidimo rankena	1
11	Varžtai šešiakampe galvute	3
12	Laikiklis	1
13	Griebtuvo raktas	1
14	4 mm šešiakampis raktas	1
15	3 mm šešiakampis raktas	1

MONTAVIMAS IR REGULIAVIMAS

⚠ ĮSPĖJIMAS

Kad užtikrintumėte asmeninę saugą, prijungti įrenginį prie maitinimo tinklo leidžiama tik iki galo atlikus visus montavimų darbus ir perskaičius bei išsiaiškinus saugos ir naudojimo instrukcijas.

⚠ ĮSPĖJIMAS

Šis įrenginys – tai sunkus elektrinis prietaisas; siekiant saugiai jį surinkti, jį turi kelti bent du asmenys.

KOLONOS TVIRTINIMAS PRIE PAGRINDO

Žr. 5 pav.

1. Padėkite pagrindą ant lygaus ir stabilaus paviršiaus.
2. Sulygiuokite angas varžtams kolonos bloke su pagrindo angomis varžtams.
3. Į kiekvieną angą įstatykite varžtą šešiakampe galvute.
4. Priveržkite kiekvieną varžtą reguliuojamuoju veržliarakčiu.

STALO TVIRTINIMAS PRIE KOLONOS BLOKO

Žr. 6–10 pav.

1. Įstatykite stalo laikiklio fiksavimo rankeną į srieginę angą, esančią galinėje stalo laikiklio dalyje.
PASTABA: Dėkite rankeną iš kairės į dešinę, kad pirmiausia ji būtų įstatyta į stalo laikiklio pusę be sriegio.
2. Įstatykite sliekinį krumpliaratį pavarą pro stalo paleidimo angą stalo laikiklyje. Įsitikinkite, kad sliekinis krumpliaratis susikabino su vidiniu krumpliarachiu.
PASTABA: Nenuvalykite tepalo nuo sliekinio krumpliarachio.
3. Įstumkite stovą pro lizdą stalo laikiklyje, kad dantukai būtų nukreipti į išorę, o ilgesnis lygus paviršius – į viršų. Sliekinis krumpliaratis turi susikabinti su stovu.

4. Abiem rankomis uždėkite visą stalą ir stovą ant kolonos, kol stovo apačia atsidurs pagrindo žiede ir prisipaus prie kolonos.
5. Priverždami stalo laikiklio fiksavimo rankeną užfiksukite stalo bloką ant kolonos.
PASTABA: Nepriveržkite per stipriai.
6. Stumkite stovo žiedą (atsukę nuožulnią pusę į apačią) kolona, kol nuožulni pusė susikabins su nuožulniu stovo galu.
7. Šešiakampi raktu priveržkite nustatymo varžtą žiede. Kad nesugadintumėte kolonos arba žiedo, neveržkite nustatymo varžto per stipriai.
PASTABA: Turi būti galima judinti stalą iš vieno krašto į kitą.
8. Montuokite stalo paleidimo rankeną ant sliekinio krumpliarachio galo, kad plokščioji veleno pusė būtų sulygiuota su nustatymo varžtu.
9. Šešiakampi raktu priveržkite nustatymo varžtą.

VIRŠUTINIO BLOKO MONTAVIMAS

Žr. 11 pav.

⚠ ĮSPĖJIMAS

Gręžimo spaustuvo viršutinis blokas yra sunkus, todėl siekiant saugiai montuoti jį ant kolonos, jį turi kelti du asmenys.

1. Nustatykite viršutinį bloką ant kolonos, griebtuvus turi būti virš stalo.
PASTABA: Įtaisas sunkus. Prireikus prašykite kolegų pagalbos.
2. Stumkite viršutinį bloką žemyn iki pat galo. Sulygiuokite stalo bloką su pagrindu ir priveržkite du viršutinio bloko nustatymo varžtus šešiakampi raktu.

TIEKIMO RANKENŲ MONTAVIMAS

Žr. 12 pav.

1. Pritvirtinkite tris tiekimo rankenas įsukdami jas į sriegines angas stebulės bloke.

GRIEBTUVO MONTAVIMAS

Žr. 13–15 pav.

⚠ ĮSPĖJIMAS

Prieš montuodami griebtuvą gręžimo spaustuvo viršutiniame bloke, nuvalykite visus jungiamuosius paviršius produktu, kurio sudėtyje nėra naftos. Reikia nuvalyti visą pakuojant šias dalis naudotą alyvą ar tepalą, antraip darbo metu griebtuvus gali atsilaisvinti.

1. Nuvalykite kūginę angą griebtuve švaria šluoste ir valikliu be alkoholio. Kruopščiai nuvalykite visus alyvos likučius ir nešvarumus.
2. Nuvalykite kūginius suklio paviršiaus taip pat, kaip aprašyta pirmiau.
PASTABA: Įsitikinkite, kad ant paviršių nėra prikibusių jokių pašalinių dalelių. Jei ant bet kurio

iš šių paviršių bus bent kiek nešvarumų ar alyvos, griebtuvas nebus įstatytas tinkamai. Dėl to gražto griebtuvas ir antgalis klībės.

3. Nustatykite griebtuvą ant suklio. Kad nesugadintumėte žiočių, griebtuvas turi būti visiškai atidarytas.
4. Panaikinkite stalo atramos fiksavimą ir nusukite stalą iš po griebtuvo.
5. Dėkite griebtuvą ant suklio stumdami j viršų iki pat galo.
6. Naudodamiesi medienos atplaiša griebtuvui apsaugoti, tvirtai įkalkite griebtuvą j jo vietą stuktelėdami plaktuku ar tvokle.

⚠️ ATSARGIAI

Turtinės žalos pavojus. Kad nesugadintumėte griebtuvo, niekada nestumkite jo ant suklio naudodamiesi metaliniu plaktuku.

GRIEBTUVO IŠĖMIMAS

1. Sukdami tiekimo rankenas nuleiskite griebtuvą j apatinę padėtį.
 2. Padėkite šarnyrinės jungties skirtuvą (neparodytas) virš griebtuvo ir nestipriai patrankykite plaktuku arba gumine tvokle, kad griebtuvas nukristų nuo suklio.
- PASTABA:** Niekada netrankykite plaktuku arba gumine tvokle paties griebtuvo.

PASTABA: Kad nesugadintumėte griebtuvo, pirmiausia iki galo pakelkite žiotis ir pasiruokite gaudyti griebtuvą, kai jis nukris.

GRĘŽIMO SPAUSTUVO TVIRTINIMAS PRIE DARBINIO PAVIRŠIAUS

Žr. 16 pav.

Jej įrenginys bus naudojamas vienoje vietoje, pritvirtinkite jį prie darbatalio ar kito stabilaus paviršiaus.

Jej jis bus naudojamas kaip nešiojamasis įrenginys, rekomenduojama pastoviai pritvirtinti jį prie montavimo plokštės, kurią galima lengvai prispausti prie darbatalio ar kito stabilaus paviršiaus. Montavimo plokštė turi būti pakankamai didelė, kad naudojamas įrenginys neapvirštų. Rekomenduojama naudoti bet kokią kokybišką 19 mm (3/4") storio fanerą ar medienos drožlių plokštę.

1. Ant paviršiaus, prie kurio tvirtinsite spaustuvą, pažymėkite angas naudodami gręžimo spaustuvą kaip šabloną angų išdėstymui pažymėti.
2. Išgręžkite angas tvirtinimo paviršiuje.
3. Padėkite gręžimo spaustuvą ant tvirtinimo paviršiaus ir sulygiuokite pagrindo angas su tvirtinimo paviršiuje išgręžtomis angomis.
4. Įstatykite varžtus (nepriedami) ir priveržkite su fiksavimo poveržlėmis ir šešiakampėmis veržlėmis (nepriedamos).

Jej naudojami varžtai su kvadratine galvute, jie turi būti pakankamai ilgi, kad pralįstų pro gręžimo spaustuvo pagrindo angas ir medžiagą, prie kurios tvirtinamas gręžimo spaustuvą. Jej naudojami

tvirtinimo varžtai, jie turi būti pakankamai ilgi, kad pralįstų pro gręžimo spaustuvo pagrindo angas ir apręptų medžiagą, prie kurios tvirtinama, fiksavimo poveržles ir šešiakampes veržles.

PASTABA: Visus varžtus reikia įstatyti iš viršaus. Fiksavimo poveržles ir šešiakampes veržles dėkite iš darbatalio apačios.

Kai įrenginys bus patikimai pritvirtintas prie tvirto paviršiaus:

1. Patikrinkite vibraciją įjungus variklį.
2. Prireikus reguliuokite ir dar kartą priveržkite tvirtinimo detales.
3. Patikrinkite stalo bloką ir įsitinkinkite, kad jis sklandžiai juda kolona aukštyn ir žemyn.
4. Patikrinkite ir įsitinkinkite, kad suklio velenas juda sklandžiai.

VIETA GRIEBTUVO RAKTUI LAIKYTI

Žr. 17 pav.

Vieta griebtuvo raktui laikyti yra dešinėje įrenginio pusėje.

NUOŽULNUS GRĘŽIMAS

Žr. 18 pav.

PASTABA: Įrenginyje yra nuožulnumo skalė, padedanti apytiksliai išmatuoti nuožulnius kampus. Jej reikia didesnio tikslumo, reikia nustatyti stalą naudojantis kampiniu ar kitu matuokliu. Nuožulnumo skalės naudojimas:

1. Priveržkite varžtą ant fiksavimo kaiščio naudodamiesi 10 mm arba reguliuojamu veržliarakčiu – sukdami pagal laikrodžio rodyklę atlaisvinkite kaištį nuo stalo atramos. Šio kaiščio reikės grąžinant stalą j 0 laipsnių nuo stalo atramos padėtį. Neišmeskite jo.
2. Atsukite didelį viršutinio bloko stalo nuožulnumo fiksavimo varžtą šešiakampe galvute naudodamiesi 17 mm arba reguliuojamuoju veržliarakčiu.
3. Pakreipkite stalą sulygiuodami norimą kampo matmenį su nulinės vertės linija prieš skalę.
4. Priveržkite stalo nuožulnumo fiksavimo varžtą.
5. Norėdami grąžinti stalą j pradinę padėtį, atsukite stalo nuožulnumo fiksavimo varžtą. Grąžinkite stalą j 0° padėtį.
6. Grąžinkite ant fiksavimo kaiščio esančią veržlę j išorinį sriegių galą. Atsargiai padaužykite fiksavimo kaištį gumine tvokle, kol jis atsidurs stalo laikiklio sujungimo angoje. Priveržkite veržlę ranka.

PASTABA: Kad vaizdas būtų aiškesnis, iliustracijoje stalias neparodytas.

⚠️ ĮSPĖJIMAS

Kad išvengtumėte sužeidimų, prieš atlikdami bet kokius reguliavimo darbus būtinai ištraukite kištuką iš maitinimo lizdo.

SUKLYS / TUŠČIAVIDURIS VELENAS

Žr. 20 pav.



Sukdami tiekimo rankenas prieš laikrodžio rodyklę nuleiskite suklij į apatinę padėtį. Laikydami griebtuvą judinkite jį iš priekio atgal. Jei laisvumas per didelis, atlikite toliau nurodytus reguliavimo veiksmus:

1. Atsukite fiksavimo veržlę dešinėje įrenginio pusėje naudodamiesi 10 mm veržliarakčiu.
2. Atsuktuvu plokščiu galu sukdami varžtą pagal laikrodžio rodyklę galite panaikinti laisvumą, bet sukliui turi būti netrukdoma judėti į viršų. (Nedidelis suklio laisvumas yra normalus.)
3. Priveržkite fiksavimo veržlę.

TUŠČIAVIDURIO VELENO GRAŽINIMO SPYRUOKLĖ

Žr. 21 pav.

Jei tuščiaavidurio veleno gražinimo greitis yra per didelis arba per mažas, gali reikėti reguliuoti tuščiaavidurio veleno gražinimo spyruoklę. Spyruoklė yra kairėje gręžtuvu viršutinio bloko pusėje.

1. Nuleiskite stalą, kad būtų lengviau priėti.
2. Įstatykite atsuktuvą į apatinę priekinę spyruoklės dangtelio įranta. Laikydami ją atsukite ir išimkite išorinę antveržlę 10 mm veržliarakčiu.
3. Neišimdami atsuktuvo iš įrantos, atsukite vidinę veržlę tik tiek, kad įranta atsilaisvintų nuo prielajos gręžimo spaustuvo viršutiniame bloke.

PASTABA: Nenuimkite šios vidinės veržlės, nes spyruoklė išsivynios su didele jėga.

4. Atsuktuvu atsargiai sukite spyruoklės dangtelį prieš laikrodžio rodyklę, kol susikabins kita įranta.
5. Sukdami tiekimo rankeną prieš laikrodžio rodyklę nuleiskite tuščiaavidurį veleną į apatinę padėtį kartu laikydami spyruoklės dangtelį jo vietoje.
6. Jei tuščiaaviduris velenas juda į viršų ir į apačią taip, kaip norite, priveržkite vidinę veržlę prie spyruoklės dangtelio ir patį spyruoklės dangtelį veržliarakčiu. Jei veržlę per laisva, kartodami 3–5 veiksmus priveržkite. Jei ji priveržta per stipriai, kartokite 4 ir 5 veiksmus.
7. Veržliarakčiu priveržkite išorinę veržlę prie vidinės veržlės.

PASTABA: Neveržkite per stipriai ir nesuvaržykite tuščiaavidurio veleno judėjimo.

DIRŽO ĮTEMPIMAS

Žr. 22 pav.

1. Atidarykite skriemulio dangtį.
2. Norėdami atblokuoti diržo įtempimą, pasukite dešinėje gręžimo spaustuvo viršutinio bloko pusėje esančią diržo įtempimo fiksavimo rankenėlę prieš laikrodžio rodyklę.
3. Traukdami variklį į priekinę įrenginio pusę sumažinkite diržo įtempimą.
4. Nustatykite diržą ant reikiamų skriemulio pakopų pagal norimą greitį.
5. Traukite variklį nuo gręžimo spaustuvo viršutinio bloko, kol diržas bus tinkamai įtemptas.

PASTABA: Diržo įtempimas yra tinkamas, jei spaudžiant centre diržas įlinksta maždaug 13 mm (1/2").

6. Priverždami diržo įtempimo fiksavimo rankenėlę įtvirtinkite variklį reikiamoje padėtyje. Uždarykite skriemulio dangtį.

LAZERIO LYGIAVIMO TIKRINIMAS / REGULIAVIMAS

Įrenginyje sumontuotas lazeris „Trac®“.

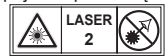
Lazerio spindulys suteikia galimybę peržiūrėti gręžimo antgalio judėjimo ruošiniu kelią prieš pradėdam darbą.

⚠ ĮSPĖJIMAS

Nenukreipkite lazerio į akis

Įjungus lazerinį kreiptuvą, skleidžiama lazerio spinduliuotė. Nenukreipkite lazerio į akis. Prieš atlikdami bet kokius reguliavimo darbus būtinai atjunkite įrenginį nuo maitinimo šaltinio.

- Lazerinis žymeklis nėra žaishlas, todėl saugokite, kad juo negalėtų naudotis vaikai. Netinkamai naudojant šį prietaisą kyla neišaisomos žalos akims pavojus.
- Bet kokie reguliavimo veiksmai, kuriais lazerio galia didinama, yra draudžiami.
- Naudodami lazerinį žymeklį nenukreipkite lazerio spinduliu į žmones ir (arba) į atspindinčius paviršius. Net ir mažo intensyvumo lazerio spindulys gali pakenkti akims. Nežiūrėkite tiesiai į lazerio spindulį.
- Lazeriniame žymeklyje nėra naudotojo prižiūrimų komponentų. Draudžiama atidaryti korpusą ir atlikti remonto arba reguliavimo darbus.
- Įspėjimo apie lazerį etiketė:



- Nenuimkite ir negadinkite įspėjamųjų etiketėjų. Nuėmus etiketę, padidėja spinduliuotės poveikio pavojus.
- **ATSARGIAI:** Įrankio valdymas, reguliavimas ar naudojimas kitokiais būdais, nei nurodyta šioje instrukcijoje, gali sukelti didelį radiacijos pavojų.
- Nebandykite remontuoti arba ardyti lazerinio gulsčiuo. Jei šį lazerinį prietaisą bandys remontuoti nekvalifikuotas asmuo, kyla sunkių sužeidimų pavojus. Bet kokius reikalingus šio lazerinio prietaiso remonto darbus turi atlikti įgaliotojo priežiūros centro darbuotojai.
- **ATSARGIAI:** Su šiuo įrenginiu naudojant optinius prietaisus padidėja žalos akims pavojus.

⚠ ĮSPĖJIMAS

Nenaudokite spalvoto stiklo lazerio šviesai sustiprinti. Spalvotas stiklas sumažins bendrą matomumą darbo metu ir trukdys tinkamai dirbti įrenginiu.



⚠ ĮSPĖJIMAS

Lazerio spindulio radiacija. Niekada nenukreipkite spindulio į ruošinį su atspindinčiu paviršiumi. Lazerio nerekomenduojama naudoti su šviesiu atspindinčiu lakštiniu plėnu ar panašiais atspindinčiais paviršiais. Spindulys gali atspindėti nuo atspindinčio paviršiaus atgal į naudotoją arba kitus žmones.

LAZERIO LINIJŲ REGULIAVIMAS

Žr. 23 pav.

Patikrinkite lazerio lygiavimą ir įsitikinkite, kad lazerio linijos susikerta tiksliai toje vietoje, kurioje gražto antgalis įlenda į ruošinį. Jei taip nėra, lazerio linijas reikia reguliuoti naudojantis lazerio reguliavimo rankenėlėmis, esančiose priešingose viršutinio bloko pusėse.

1. Ant nereikalingo ruošinio pažymėkite ženklą „X“.
2. Įstatykite į griebtuvą mažą gręžimo antgalį ir sulygiuokite jo galiuką su „X“ linijų sankirtos vieta.
3. Pritvirtinkite plokštę prie stalo.
4. Įjunkite lazerinį kreiptuvą ir patikrinkite, ar lazerio linijos atitinka ženklą „X“ ant ruošinio.
5. Jei lazerio linijos neatitinka, atsukite nustatymo varžtus ant kiekvieno lazerio korpuso šešiakampi raktu ir sukite lazerio reguliavimo rankenėles, kol linijos susikirs „X“ centre. Priverždami nustatymo varžtus įtvirtinkite.

VEIKIMAS**⚠ ĮSPĖJIMAS**

Būkite atsargūs, net jei puikiai pažįstate įrankį. Prisiminkite, kad dėl sekundės neatsargumo galite patirti sunkių sužalojimų.

⚠ ĮSPĖJIMAS

Darbo metu visada dėvėkite apsauginius akinius arba akinius su šonine apsauga. Neužsidėjus, į jūsų akis gali patekti nuolaužų, kurios gali rimtai sužaloti.

⚠ ĮSPĖJIMAS

Nenaudokite jokių papildomų įtaisų ar priedų, kurių nerekomenduojama šio prietaiso gamintojas. Naudojant nerekomenduojamus papildomus įtaisus ar priedus, galima rimtai susižaloti.

⚠ ĮSPĖJIMAS

Kad išvengtumėte sužeidimų, naudojant įrenginį apsauginis įtaisas turi būti savo vietoje ir uždarytas.

GREIČIO IR DIRŽO UŽDĖJIMO VIETOS KEITIMAS

Žr. 24 pav.

Suklio greitis priklauso nuo diržo vietos ant sukliū viršutinio bloko viduje. Ant vidinės dangčio pusės viršutiniame bloke pateiktoje greičio lentelėje nurodytas rekomenduojamas greitis ir skriemulio konfigūracija kiekvienam gręžimo darbui.

Norėdami pakeisti skriemulio konfigūraciją:

1. Pakeikite skriemulio dangtį.
2. Atsukite įtempimo varžtą.
3. Nuimkite diržą.
4. Pakeiskite diržo padėtį pagal greičio lentelę.
5. Priveržkite įtempimo varžtą.

PASTABA: Gręžimo antgalio dydžio ir gręžimo greičio rekomendacijos žr. skyriuje „Rekomenduojamas gręžimo greitis“.

REKOMENDUOJAMAS GRĘŽIMO GREITIS

GRĘŽIMO GREIČIO LENTELĖ (APS./MIN.)			
Gręžimo antgalio skersmuo (col.)	Medžiaga		
	Mediena Plastikas	Aliuminis Cinkas Žalvaris	Geležis Plienas
1/16	2430	2430	2430
1/8			1800
3/16			1300
1/4			
5/16			800
3/8	1300	800	510
1/2	1800	800	510

Įjungimo / išjungimo mygtukas

Žr. 25 pav.

Įrankį įjungti:

1. Paspauskite įjungimo mygtuką (I).

Įrankį išjungti:

1. Paspauskite išjungimo mygtuką (O).

⚠ ĮSPĖJIMAS

Prieš įjungdami įrenginį jungikliu būtinai įsitikinkite, kad antgalis nelielia ruošinio. Nesilaikant šių nurodymų, ruošinys gali būti nusviestas link operatoriaus ir jį sunkiai sužeisti.

ANTGALIŲ ĮDĖJIMAS IR IŠĖJIMAS

Žr. 26 pav.

1. Atjunkite įrenginį nuo maitinimo tinklo.
2. Laikiklio spaustuvus atidarykite ar uždarykite iki tokios padėties, kad anga būtų truputį didesnė už gražto antgalį, kurį ketinate naudoti.
3. Įstatykite gręžimo antgalį į griebtuvą įstumdami jį per visą žiočių ilgį.

⚠️ ĮSPĖJIMAS

Nedėkite gręžimo antgalio į griebtuvą ir neveržkite, kaip parodyta 19 pav. Dėl to gręžimo antgalis gali išskrieti iš įrenginio ir sunkiai sužeisti arba sugadinti griebtuvą.

4. Gerai priveržkite griebtuvo žiotis pateiktu griebtuvo raktu. Laikiklio spaustuvis priveržti ar atlaisvinti nenaudokite veržliarakčio.
5. Išimkite griebtuvo raktą.
6. Norėdami išimti gręžimo antgalį, atlikite pirmiau nurodytus veiksmus priešinga tvarka.

⚠️ ĮSPĖJIMAS

Kad išvengtumėte sužeidimų ar nelaimingų atsitikimų, kai griebtuvo raktas didele jėga išmetamas iš griebtuvo įjungus įrenginį, naudokite tik savaime iškrentantį griebtuvo raktą, pateiktą su šiuo gręžimo spaustuviu. Būtinai patikrinkite, ar išėmėte griebtuvo raktą, prieš įjungdami įrenginį. Nenaudojamą griebtuvo raktą įdėkite į jo laikymo vietą.

GRĘŽIMAS IKI KONKRETAUS GYLIO

Išgręžti aklina angą (ne per visą ruošinio storį) iki tam tikro gylio galima dviem būdais:

Ruošinio metodas

Žr. 27 pav.

1. Pažymėkite angos gylį ant ruošinio krašto.
2. Išjungę įrenginį, nuleiskite gręžimo antgalį, kol jo galiukas susilygins su žyma.
3. Laikykite tiekimo rankeną šioje padėtyje.
4. Sukite apatinę veržlę žemyn, kol ji palies gylio stabdiklio ašelę viršutiniame bloke.
5. Sukite viršutinę veržlę žemyn ir priveržkite prie apatinės veržlės.
6. Dabar gręžimo antgalis sustos, kai įveiks ant ruošinio pažymėtą atstumą.

Gylio skalės metodas

Žr. 28 pav.

PASTABA: Nustačius griebtuvą į viršutinę padėtį, gręžimo antgalio galiukas turi būti vos aukščiau nei ruošinio viršus.

1. Išjungę įrenginį, sukite tiekimo rankeną, kol žymeklis rodyš norimą gylį gylio skalėje, ir laikykite tiekimo rankeną šioje padėtyje.
2. Sukite apatinę veržlę žemyn, kol ji palies gylio stabdiklio ašelę.
3. Sukite viršutinę veržlę prie apatinės stabdiklio veržlės ir priveržkite.
4. Dabar gręžimo antgalis sustos, kai įveiks gylio skalėje pasirinktą atstumą.

Angos gręžimas

1. Skyلمušu arba aštria vinimi pažymėkite ruošinyje vietą, kurioje norite gręžti.
2. Įjunkite lazerinį kreiptuvą ir sulygiuokite lazerio linijas

su žyma.

3. Nustatykite jungiklį į įjungimo padėtį ir traukite tiekimo rankenas į apačią naudodami tik tiek jėgas, kad grąžtas pradėtų gręžti.

Jei tiekiamą per greitai, diržas arba grąžtas gali praslysti ar išdraskyti ruošinį, arba lūš gręžimo antgalis.

Prieš gręžiant metalą reikia patepti gręžimo antgalio galiuką metalo gręžimo alyva, kad jis neperkaistų.

RŪPINKITĖS SAVO SAUGA

⚠️ ĮSPĖJIMAS

Nusivilkite palaidus drabužius, nusimkite pirštines, kaklaraiščius ar papuošalus, kad jie nebūtų įtraukti į įrenginį. Būtinai suriškite ilgus plaukus.

1. Jei bet kokios įrenginio dalies trūksta, ji veikia netinkamai, sugedo arba sulūžo, nedelsdami stabdykite darbą ir nedirbkite, kol tokia dalis bus tinkamai suremontuota arba pakeista.
2. Niekada neikiškite pirštų į vietą, kurioje jie gali paliesti gręžimo antgalį ar kitą pjovimo įrankį. Ruošinyje gali netikėtai pajudėti arba gali nuslysti ranka.
3. Kad ruošinys nebūtų išplėštas jums iš rankų, nusviestas, įsuktas arba suskaldytas, būtinai tinkamai jį paremkite, kaip aprašyta toliau:

- Būtinai padėkite pagalbines medžiagas (naudojamą po ruošiniu) taip, kad ji liestų kairę kolonos pusę.
- Jei įmanoma, dėkite ruošinį taip, kad jis liestų kairę kolonos pusę. Jei jis per trumpas arba jei stalas pakreiptas, patikimai prispauskite ruošinį prie stalo naudodamiesi stalo lizdais.
- Jei naudojate gręžimo spaustuvo gnybtus (nepriedami), būtinai pritvirtinkite juos prie stalo.
- Jokių darbų neatlikite naudodamiesi tik rankomis (ruošinyje turi būti parentas ant stalo, o ne laikomas rankomis), išskyrus šlifavimo ar poliravimo darbus.
- Prieš naudojant gręžimo spaustuva reikia patikimai pritvirtinti viršutinį bloką ir atramą prie kolonos, stalo svirtį prie atramos, o stalą prie stalo svirties.
- Niekada nejudinkite viršutinio bloko arba stalo, kai įrenginys veikia.
- Prieš pradėdami bet kokį darbą pastumkite variklio jungiklį į įsitinkinkite, kad grąžtas ar kitas pjovimo įrankis nekliba ir nevirbroja.
- Jei ruošinys yra nusviręs nuo stalo taip, kad nelaikant nukris ar apvirs, prispauskite jį prie stalo arba pasirūpinkite papildoma atrama.
- Atlikdami neįprastus darbus naudokitės pagalbinais įtaisais ruošiniui tinkamai laikyti, nukreipti ir nustatyti.
- Naudokite konkrečiam darbui ir ruošinio medžiagai rekomenduojamą suklio greitį. Informacija apie gręžimo greitį pateikta lentelėje ant vidinės skriemulio dangčio pusės ir skyriuje „Rekomenduojamas gręžimo greitis“. Jei

naudojate priedus, skaitykite su kiekvienu priedu pateiktas instrukcijas.

- Niekada nelipkite ant gręžimo spaustuvo stalo, nes jis gali sulūžti arba visas gręžimo spaustuvas gali užvirinti ant jūsų.
- Palikdami įrenginį atjunkite jį nuo maitinimo tinklo.
- Kad išvengtumėte sužeidimų dėl išsviesto ruošinio arba palietus įrankį, neatlikite jokių išdėstymo, surinkimo ar nustatymo darbų ant stalo, kai pjovimo įrankis sukasi.

STALO IR RUOŠINIO PADĖTIES NUSTATYMAS

Žr. 29-30 pav.

- Pritvirtinkite stalą prie kolonos tokioje padėtyje, kad gręžimo antgalio galiukas būtų vos virš ruošinio viršaus.
- Ant stalo po ruošiniu būtina padėkite pagalbinę medžiagą (medienos atlieką). Tai apsaugo nuo atplaišų arba šerpetų atsiradimo apatinėje ruošinio pusėje. Kad pagalbinę medžiagą nesisuktų, ją reikia pridėti prie kolonos kairiosios pusės.
- Naudokite tinkamas priemones ilgiems ruošiniams atremiti.

⚠ ĮSPĖJIMAS

Kad gręžiant ruošinys ar pagalbinė medžiaga nebūtų išsviesti, BŪTINA pridėti ruošinį prie kolonos kairiosios pusės. Jei ruošinys arba pagalbinė medžiaga yra per trumpi, kad siektų koloną, prispauskite juos prie stalo, kad ruošinys laikytųsi tvirtai. Nepritvirtinus ruošinio, kyla pavojus susižeisti.

⚠ ĮSPĖJIMAS

Gręžimo spaustuvo gnybtus reikia prispauti arba prisukti prie stalo, kad išvengtumėte sužeidimų dėl ruošinio sukimosi ir nesugadintumėte gnybtų arba antgalių.

GRĘŽIMO VIETOS NUSTATYMAS

- Skylmušiu arba aštria vinimi pažymėkite ruošinje vietą, kurioje ketinate gręžti.
- Įjunkite lazerinį krepituvą ir prieš įjungdami grąžtą sulygiuokite lazerio linijas (x) su padaryta žyma.

STALO PAKREIPIMAS

Žr. 31 pav.

PASTABA: Stalo atramoje yra išgręžta anga, į kurią įstatytas fiksavimo kaištis, kad būtų galima užfiksuoti stalą iš anksto nustatytu 0° nuožulnumo kampu.

- Priveržkite varžtą ant fiksavimo kaiščio naudodamiesi 10 mm arba reguliuojamu veržliarakčiu – sukdami pagal laikrodžio rodyklę atlaisvinkite kaištį nuo stalo atramos. Šio kaiščio reikės grąžinant stalą į 0 laipsnių nuo stalo atramos padėtį.
- Atsukite didelį viršutinio bloko stalo nuožulnumo fiksavimo varžtą šešiakampe galvute naudodamiesi 17 mm arba reguliuojamuoju veržliarakčiu.

⚠ ĮSPĖJIMAS

Saugodamiesi sužeidimų, būtina laikyti stalo ir stalo svirties bloką, kad jis nesisuktų ir nepakryptų.

- Pakreipkite stalą sulygiuodami norimą kampo matmenį su nulinės vertės linija prieš skalę.
- Priveržkite stalo nuožulnumo fiksavimo varžtą.
- Norėdami grąžinti stalą į pradinę padėtį, atsukite stalo nuožulnumo fiksavimo varžtą. Grąžinkite stalą į 0° padėtį.
- Grąžinkite ant fiksavimo kaiščio esančią veržlę į išorinį sriegių galą. Atsargiai padaužykite fiksavimo kaištį, kol jis atsidurs stalo laikiklio sujungimo angoje. Priveržkite veržlę ranka.

⚠ ĮSPĖJIMAS

Kad išvengtumėte sužeidimų dėl ruošinio sukimosi arba įrankio lūžimo, būtina patikimai prispauti ruošinį ir pagalbinę medžiagą prie stalo prieš naudojant gręžimo spaustuva.

TIEKIMAS

- Traukite tiekimo rankenas į apačią naudodami tik tiek jėgos, kad grąžtas pradėtų gręžti.
- Jei tiesite per lėtai, gręžimo antgalis gali perkaisti. Jei tiesite per greitai, diržas arba grąžtas gali praslysti ar išdraskyti ruošinį, arba lūš gręžimo antgalis.
- Gręžiant metalą reikia patepti gręžimo antgalio galiuką alyva, kad ruošinys ir antgalis neperkaistų.

PRIEŽIŪRA

⚠ ĮSPĖJIMAS

Rūpindamiesi savo sauga, prieš atlikdami gręžimo spaustuvo techninės priežiūros ar tepimo darbus būtina išjunkite įrenginį ir atjunkite jį nuo maitinimo tinklo.

Oro kompresoriumi arba dulkių siurbliu dažnai išpūskite visas pjuvenas ar metalo atplaišas, kurios kaupiasi variklyje, skriemulio korpuse, ant stalo ir ant darbinio paviršiaus. Dirbant šiuo įrankiu, būtina dėvėti saugos akinius.

⚠ ĮSPĖJIMAS

Kad išvengtumėte elektros smūgio arba gaisro pavojaus, jei maitinimo kabelis nusidėvėjo arba buvo įpjautas, jį turi nedelsdamas pakeisti kvalifikuotas elektrikas arba priežiūros specialistas.

SUTEPIMAS

Visi gręžimo spaustuvo rutuliniai guoliai buvo užpildyti tepalu gamykloje. Jiems jokių tepimo darbų nereikia.

Reguliariai tepkite krumpliaratį ir stovą, stalo pakėlimo mechanizmą, suklį ir tuščiaavidurio veleno stovą (dantukus). Kas tris mėnesius nuleiskite suklį ir tepkite suklio movą nedideliu kiekiu alyvos.

GABENIMAS IR LAIKYMAS

Žr. 32 pav.

Prireikus transportuoti gaminį, atjunkite maitinimo kabelį ir patikrinkite, ar visos dalys saugiai pritvirtintos. Už kurių vietų kelti gaminį pavaizduota 32 pav.

Laikykite gaminį saugioje, vaikams nepasiekiamoje vietoje.

Prieš padedant laikyti, gaminį reikia išvalyti šepečiu arba dulkių siurbliu.

SIMBOLIAI



Saugos perspėjimas



Europos atitikties ženklas



Didžiosios Britanijos atitikties ženklas



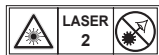
Ukrainos atitikties ženklas



„EurAsian“ atitikties ženklas



Prieš pradėdant naudoti šį prietaisą, prašome atidžiai perskaityti šias instrukcijas.



Lazerio spindulio radiacija.
Nežiūrėkite tiesiai į spindulį.
2 klasės lazerio gaminys



Nenaudoti lyjant ar drėgnose vietose.



Dėvėkite klausos apsaugos priemones



Visada dėvėkite akių apsaugos priemones.



Laikiklio skersmuo



Suklio eiga



Gręžimo sulgyjvimas



Gražto antgalo skersmuo (coliais)



Mediena



Aliuminis
Cinkas
Žalvaris



Geležis
Plienas

Nemeskite elektros ir elektroninės įrangos atliekų kartu su nerūšiuotomis komunalinėmis atliekomis. Elektros ir elektroninės įrangos atliekas privaloma surinkti atskirai. Šviesos šaltinių atliekas iš įrangos privaloma pašalinti. Kur rasti surinkimo ir perdavimo punktą ir kaip tinkamai utilizuoti seną įrenginį, kreipkitės į vietos valdžios įstaigą ar pardavėją. Atsižvelgiant į vietos teisės aktus, mažmenininkai gali būti įpareigoti nemokamai priimti atgal elektros ir elektroninės įrangos atliekas. Prisdėdami prie pakartotinio elektros ir elektroninės įrangos atliekų panaudojimo ir perdavimo padedate mažinti žaliavų poreikį. Elektros ir elektroninės įrangos atliekose yra vertingų ir perdirbimui tinkamų medžiagų, kurios gali turėti neigiamą poveikį aplinkai ir žmonių sveikatai, jei nėra šalinamos aplinkai nekenksmingu būdu. Ištrinkite senuose prietaisuose esančius asmens duomenis, jei tokių buvo.



GEDIMŲ ŠALINIMAS

Gedimas	Galima priežastis	Sprendimas
Triukšmingas darbas.	<ol style="list-style-type: none"> 1. Netinkamas diržo įtempimas. 2. Suklys veikia sausas. 3. Atsilaisvino suklio skriemulys. 4. Atsilaisvino variklio skriemulys. 	<ol style="list-style-type: none"> 1. Reguluokite įtempimą. Žr. skyrių „Diržo įtempimas“. 2. Tepkite suklij. Žr. skyrių „Tepimas“. 3. Patikrinkite skriemulio tvirtinimo veržlės priveržimą ir priveržkite, jei reikia. 4. Priveržkite variklio skriemulio nustatymo varžtą.
Gręžimo antgalis perkaista.	<ol style="list-style-type: none"> 1. Netinkamas greitis. 2. Iš angos nešalinamos pjūvenos. 3. Gręžimo antgalis atšipo. 4. Tiekama per lėtai. 5. Nepatepta. 	<ol style="list-style-type: none"> 1. Pakeiskite greitį. Žr. skyrių „Greičio ir diržo uždėjimo vietos keitimas“. 2. Dažnai ištraukite grąžtą, kad būtų pašalintos pjūvenos. 3. Galąskite gręžimo antgalį arba pakeiskite jį nauju. 4. Tiekite greičiau – neleiskite grąžtui sukintis laisvai. 5. Patepkite grąžtą. Žr. skyrių „Tiekimas“.
Gręžimo antgalio „mušimas“ – išgręžta anga nėra apskrita.	<ol style="list-style-type: none"> 1. Kietas medienos pluoštas arba nelygūs pjovimo kelių ilgiai ir (arba) kampai. 2. Gręžimo antgalis sulinko. 	<ol style="list-style-type: none"> 1. Tinkamai pagaląskite gręžimo antgalį. 2. Pakeiskite gręžimo antgalį.
Medis trūkinėja apatinėje pusėje.	<ol style="list-style-type: none"> 1. Po ruošiniu nėra pagalbinės medžiagos. 	<ol style="list-style-type: none"> 1. Naudokite pagalbinę medžiagą. Žr. skyrių „Naudojimas“.
Ruošiny s buvo išplėstas iš rankų.	<ol style="list-style-type: none"> 1. Ruošiny s nėra tinkamai paremtas ar suspaustas. 	<ol style="list-style-type: none"> 1. Paremkite arba prispauskite ruošinį. Žr. skyrių „Naudojimas“.
Gręžimo antgalis stringa ruošinyje.	<ol style="list-style-type: none"> 1. Ruošiny s suspaudžia gręžimo antgalį arba naudojamas per stipriai spaudžiamas. 2. Netinkamas diržo įtempimas. 	<ol style="list-style-type: none"> 1. Paremkite arba prispauskite ruošinį. Žr. skyrių „Naudojimas“. 2. Reguluokite įtempimą. Žr. skyrių „Diržo įtempimas“.
Per didelis gręžimo antgalio „mušimas“ arba klibėjimas.	<ol style="list-style-type: none"> 1. Gręžimo antgalis sulinko. 2. Nusidėvėjo guoliai. 3. Gręžimo antgalis netinkamai įstatytas į griebtuvą. 4. Netinkamai sumontuotas griebtuvas. 	<ol style="list-style-type: none"> 1. Naudokite tiesų gręžimo antgalį. 2. Pakeiskite guolius. 3. Tinkamai montuokite grąžtą. Žr. skyrius „Naudojimas“ ir „Montavimas ir reguliavimas“. 4. Tinkamai montuokite griebtuvą. Žr. skyrių „Griebtuvo montavimas“.
Tuščiaviduris velenas grįžta per lėtai arba per greitai.	<ol style="list-style-type: none"> 1. Ritės spyruoklė netinkamai įtempta. 	<ol style="list-style-type: none"> 1. Reguluokite spyruoklės įtempimą. Žr. skyrių „Tuščiaavidurio veleno grąžinimo spyruoklė“.
Griebtuvas nesilaiko ant suklio. Bandant montuoti jis nukrenta.	<ol style="list-style-type: none"> 1. Ant griebtuvo vidinio kūginio paviršiaus arba ant suklio kūginio paviršiaus pateko nešvarumų, tepalo ar alyvos. 	<ol style="list-style-type: none"> 1. Valikliu be alkoholio nuvalykite visus nešvarumus, tepalą ar alyvą nuo kūginių griebtuvo ir suklio paviršių. Žr. skyrių „Griebtuvo montavimas“.

KIRJELDUS

1. Ülemine osa
2. Tugialus
3. Alusplaat
4. Hammaslatt
5. Sambasõlm
6. Hammaslati rõngas
7. Etteandekäepidemed
8. Tiguülekanne
9. Laua lukustuskäepide
10. Laua vändaga käepide
11. Kuuskantpoldid
12. Padrun
13. Padrunivõti
14. 4 mm kuuskantvõti
15. 3 mm kuuskantvõti
16. Nelikantpeaga kruvikeeraja
17. Reguleeritav võti
18. 12 mm mutrivõti
19. Puu- või kummihaamer
20. Nurgik
21. Puuklots
22. Mootor
23. Laserpea
24. Pinooli tagastusvedru
25. Lauaklamber
26. Rihmaratta kate
27. „Sisse/välja“-lüüti
28. Laserlüüti
29. Ülemine turvakate
30. Kinnitusava
31. Ülaosa lukustuskrugi
32. Rihma pingsuse lukustusnupp
33. Padrunivõtme hoidik
34. Spindli rihmaratas
35. Mootori rihmaratas
36. Lauatugi
37. Laua vändaga käepideme ava
38. Sambatugi
39. Seadekrugi
40. Ülaosa
41. Ülaosa lukustuse seadekrugi
42. Keermega avad
43. Võllisõlm
44. Spindel
45. Polt x 2 (M12, ei ole kaasas)
46. Seib x 4 (Dia. 12mm, ei ole kaasas)
47. Kummitihend x 2 (Dia. 12mm, ei ole kaasas)
48. Lameseib x 2 (Dia. 12mm, ei ole kaasas)
49. Kontramutter x 2 (M12, ei ole kaasas)
50. Kuuskantmutter x 2 (M12, ei ole kaasas)
51. Tööpind
52. Püstkaldeskaala
53. Laua kallutamise lukustuspot
54. Mutter
55. Lukustusmutter
56. Poldid
57. Alumine esisälk
58. Vedrukate
59. Välimine kontramutter
60. Sisemine mutter
61. Sälk
62. Kõrgend
63. Padruni pakid
64. Puur
65. Sügavus
66. Sügavusskaala osuti
67. Sügavusskaala
68. Ülemine mutter
69. Alumine mutter
70. Sügavuspiirik
71. Toorik

Puurpingi juures on peetud esmatähtsaks ohutust, töövõimet ja töökindlust.

OTSTARBEKOHANE KASUTAMINE

Puurpink on mõeldud aukude puurimiseks puitu, plasti, alumiiniumisse ja terasesse.

Toodet tohivad kasutada täiskasvanud isikud, kes on lugenud läbi kasutusjuhendi ning mõistavad tööriista kasutamisega seotud riske ja ohte.

Toode tuleb kinnitada tööpingi külge. Kindlalt kinnitamata aluse korral võib puurpink töö ajal kalduda, libiseda või paigalt nihkuda, mis suurendab tõsise kehavigastuse ohtu.

Puurpink tühikäigul kasutada kuivas, hästi valgustatud ja piisava ventilatsiooniga töökohas.

Seade on ette nähtud erakasutajale ja seda tuleb kasutada vaid eespool kirjeldatud otstarveteks ning seda ei tohi kasutada mingiks muuks otstarbeks.

ÜLDISED OHUTUSREEGLID

⚠ HOIATUS

Lugege läbi kõik mehaanilise tööriista kohta esitatud ohuhoiatused ning tutvuge tööriista jooniste ja tehniliste andmetega. Allpool esitatud hoiatuste ja juhiste eiramise puhul on oht saada elektrilööki või raskeid kehavigastusi ning/või tekitada tulekahju.

Hoidke kõik hoiatused ja juhised edaspidiseks juhindumiseks alles. Hoiatuses kasutatav termin "mootortööriist" viitab võrgutoitega (juhtmega) tööriistale või akuga (juhtmeta) tööriistale.

TÖÖKOHA OHUTUS

- Hoidke töökoht puhas ja hästi valgustatud. Korrastamata ja pimedas kohas töötamisel võivad juhtuda õnnetused.
- Ärge kasutage suruohutööriistu plahvatusohtlikes keskkondades, näiteks kergesti süttivate vedelike ja gaaside läheduses ega tolmuses kohas. Elektritööriistad tekitavad sädemeid, mis võivad tolmu või auru süüdata.
- Elektritööriistaga töötamisel hoidke lapsed ja kõrvalised isikud eemal. Tähelepanu hajumine korral võib teil kontroll kaduda.

ELEKTRIOHUTUS

- Elektritööriistade pistikud peavad pistikupesasse sobima. Ärge püüdke pistiku konstruktsiooni mingil moel muuta. Ärge ühendage maanduskontaktiga (kordusmaandusega) elektritööriistu elektrivõrku läbi vahepistmike. Pistiku ja pistikupesaga konstruktsiooni muutmise korral tekib elektrilöögi oht.
- Töötamisel hoiduge kehalisest kontaktist maandatud pindadega, näiteks torude,

radiaatorite, elektripliitide ja külmikutega. Kehaosade maandamisel suureneb elektrilöögi saamise oht.

- Ärge jätke tööriistu vihma kätte ega niiskesse kohta. Vee sattumisel elektrilise tööriista sisemusse suureneb elektrilöögi saamise oht.
- Ärge kasutage toitejuhet nõuetevastasel. Ärge kasutage toitejuhet tööriista kandmiseks, vedamiseks või pistikupesast väljatõmbamiseks. Hoidke toitejuhe eemale küttekehadest, õlist, teravatest servadest ja liikuvaest osadest. Vigastatud või keerduv toitekaablid suurendavad elektrilöögi ohtu.
- Väljas töötamisel kasutage välistingimustes kasutamiseks sobivaid pikendusjuhtmeid. Välistingimustele sobiva pikendusjuhtme kasutamine vähendab elektrilöögi ohtu.
- Kui elektritööriista kasutamine niisketes oludes on vältimatu, siis kasutage rikkevoolu-kaitselülitiga (RCD) kaitstud vooluvõrku. RCD kasutamine vähendab elektrilöögi ohtu.

ISIKUKAITSE

- Olge töötamisel tähelepanelik, jägige, mida teete ja kasutage tööriistaga töötamisel tervet mõistust. Ärge kasutage seadet, kui olete väsinud või narkootiliste ainete, alkoholi või ravimite mõju all. Hetkeline tähelepanu hajumine tööriista kasutamise ajal võib põhjustada raske kehavigastuse.
- Kandke isikukaitsevahendeid. Kandke alati silmakaitsevahendeid. Oludele vastavad kaitsevahendid, nagu tolmumask, libisemist takistavad turvajalatsid, kiiver või kuulmiskaitsmed, vähendavad kehalisi vigastusi.
- Vältige tahtmatut käivitumist. Kontrollige, et lüliti on väljalülitatud asendis, enne kui ühendate toote vooluvõrguga ja/või akuga, võtate toote kätte või kannate seda. Kui elektrilise tööriistade kandmise ajal on sõrm lülilil või sisselülitatud seade lülitatakse elektrivõrku, võib juhtuda õnnetus.
- Enne tööriista sisselülitamist eemaldage sellelt reguleerivõti või mutrivõti. Elektritööriista külge jäetud reguleerivõti või mutrivõti võivad põhjustada raske kehavigastuse.
- Ärge küünitage end töötamisel liigselt välja. Hoidke end pidevalt jalgedel ja tasakaalus. Siis on teil ootamatu olukorra tekkimisel tööriista üle parem kontroll.
- Kandke tööks sobivat riietust. Ärge kandke lõtvu riideid ega ehteid. Hoidke juuksed ja riided liikuvatest osadest eemal. Lahtised riietusesead, ehted ja pikad juuksed võivad haakuda liikuvate osade külge.
- Kui on olemas detailid tolmu väljatõmbe- ja kogumisvahenditega ühendamiseks, veenduge, et need on ühendatud ja neid kasutatakse õigesti. Tolmu kogumine vähendab tolmuga seotud ohte.

- Ärge muutuge hooletuks ega ignoreerige tööriista ohutusnõudeid, kui te seadete juba tunnete ja olete seda tihti kasutanud. Hooletus võib põhjustada raskeid vigastusi juba sekundi murdosa jooksul.

ELEKTRITÖÖRIISTA KASUTAMINE JA KORRASHOID

- Ärge kasutage töötamisel liigset jõudu. Kasutage tööks sobivat elektritööriista. Õigesti valitud tööriist töötab paremini ja ohutumalt selles võimsuspiirkonnas, millele see on ette nähtud.
- Ärge kasutage elektritööriista, kui lüliti ei lülita seda sisse ja välja. Lülitiga lülitamatu tööriista kasutamine on ohtlik ja see tuleb lasta ära remontida.
- Enne tööriista reguleerimist, tarvikute vahetamist või tööriista houstumist ühendage pistik vooluallikast lahti ja/või eemaldage võimalusel tööriista aku. Need ennetavad ohutusmeetmed vähendavad toote ootamatu käivitumise riski.
- Hoidke kasutuses mitteolevaid elektritööriistu lastele kättesaamatus kohas ja ärge lubage elektritööriista mittetundvaid või kasutusjuhendiga mittetutvunud isikuid elektritööriista kasutada. Oskamatu kasutaja käes olev elektritööriist on ohtlik.
- Hooldage elektritööriista ja tarvikuid. Kontrollige liikuvate osade mittetsentreeritust ja kinniteid, osade vigastusi ning tehke kindlaks muud seisundid, mis võivad mõjustada elektriseadme tööd. Kui mõni osa on vigastatud, siis laske seade enne kasutamist ära parandada. Halvasti hooldatud tööriistad põhjustavad palju õnnetusi.
- Hoidke lõiketerad teravad ja puhtad. Hästi hooldatud teravate lõikeservadega lõikeriistad kiiluvad kinni väiksema toenäosusega ja neid on lihtsam juhtida.
- Kasutage toodet, tarvikuid ja otsakuid kooskõlas nende juhistega ning võttes arvesse töötingimusi ja teostatavat tööd. Tööoperatsiooniks mitte ettenähtud elektritööriista kasutamine võib tekitada ohtliku olukorra.
- Hoidke käepidemed ja haardepinnad kuivad, puhtad ning õli- ja määrdevabad. Ootamatutes olukordades ei saa libedate käepidemete ja haardepindadega tööriista ohutult käsitseda ega kontrollida.

HOOLDUS

- Laske oma elektrilist tööriista hooldada väljaõppinud teenindustöötajal. Remontimisel tohib kasutada ainult originaalvaruosi. See tagab hooldatud seadme elektriohutuse.

PUURPINGI OHUTUSJUHISED

- Puurpink peab olema kinnitatud. Kui puurpink ei ole korralikult kinnitatud, võib see liikuda või ümber kukkuda ning põhjustada kehavigastusi.
- Töödeldav detail tuleb kinnitada klambritega või

toetada. Ärge puurige liiga väikeseid detaile, mida ei saa turvaliselt kinnitada. Töö ajal detaili käega hoidmine võib põhjustada kehavigastusi.

- Ärge kandke kindaid. Kindad võivad pöörlevate osade vahele või laastude külge kinni jääda ning see võib põhjustada kehavigastusi.
- Tööriista töötamise ajal hoidke käed puurimispiirkonnast eemal. Kokkupuude pöörlevate osade või laastudega võib põhjustada kehavigastusi.
- Veenduge, et tarvik pöörleb, enne kui selle töödeldavasse detaili viite. Vastasel juhul võib tarvik detailisse kinni kiiluda, mis võib detaili ootamatult liikuma panna ja põhjustada kehavigastusi.
- Kui tarvik kinni kiilub, ärge enam suruge ja lülitage tööriist välja. Selgitage välja kinnikiilumise põhjus ja eemaldage see. Kinnikiilumine võib töödeldava detaili ootamatult liikuma panna ja põhjustada kehavigastusi.
- Vältige pikkade laastude tekkimist, pidades surumisel regulaarselt vahet. Teravad metall-laastud võivad põhjustada takerdumist ja kehavigastusi.
- Ärge kunagi eemaldage puurimisalalt laastusid siis, kui tööriist töötab. Laastude eemaldamiseks viige tarvik detaili kohalt eemale, lülitage tööriist välja ja oodake, kuni tarvik peatub. Laastude eemaldamiseks kasutage harja või konksu. Kokkupuude pöörlevate osade või laastudega võib põhjustada kehavigastusi.
- Nimikiirusega tarvikud peavad olema vähemalt võrdsed tööriistal märgitud maksimaalse kiirusega. Tarvikud, mis ületavad nende ettenähtud kiiruse, võivad puruneda ja tükkideks lennata.
- Hoidke puurid puhtad ja teravad. Teravad puurid vähendavad viltumineku ohtu. Määrdundud ja nürid puurid võivad materjalis viitu minna ja kasutajat vigastada.
- Hoidke käed tööpiirkonnast eemal. Hoidke käed puuriterast eemal. Jälgige, et lahtine riietus, ehted, pikad juuksed jne ei satuks tööpiirkonda ja ei jääks puuritera külge.
- Kinnitage töödeldav detail pöörlema hakkamise vältimiseks alati pitskrudeviga või toetage vastu sammast. Ärge kunagi hoidke detaili puurimise ajal käega.
- Kasutage puuri tarvikute ja töödeldava detaili jaoks soovitatud kiirust.
- Kontrollige, et puuritera või lõikeriist oleks kindlalt padrunisse lukustatud.
- Enne puurpingi vooluvõrku ühendamist või sisselülitamist kontrollige, kas padrunivõti on padruni küljest ära võetud.
- Lasa sisse puurimise vältimiseks reguleerige lauda või sügavuspiirkut. Enne masina juurest lahkumist lülitage see välja, eemaldage puuritera ja

puhastage laud.

- **Laserjuhiku kasutamisel vältige selle silma suunamist.**
- **Kontrollige alati, et laserkiir poleks suunatud peegelduval pinnale.** Laseriga ei sobi kasutada läikivaid peegelduvaid materjale.
- **Ärge kunagi asetage sõrmi kohta, kus nad võivad puuri või mõne teise löikeriistaga kokku puutuda, juhul kui töödeldav detail ootamatult paigast liigub.**
- **Ülaosa või laud ei tohi ühegi toimingu ajal teineteise suhtes liikuda.** Ärge lülitage mootorit lülitist sisse ega alustage ühtegi toimingut enne, kui olete kontrollinud, kas ülaosa ja lauatoe lukustuskäepide on tugevasti samba külge kinnitatud ning laua tugikraed õiges asendis.
- **Enne puurpingi lülitile vajutamist kontrollige, kas rihmakate on all ja padrun õigesti paigaldatud.**
- **Toote juurest lahkudes lukustage mootorilüliti väljalülitatud asendisse.** Ärge teostage projekteerimis-, kooste- ega seadistustöid laual samal ajal, kui löikeriist pöörleb, on sisse lülitatud või vooluallikaga ühendatud.
- **Kui toitejuhe on vigastatud, siis tuleb see lasta asendada tootja või klienditeenindaja poolt, et ohtusid vältida.**
- **Hoidke mittekasutatavaid tööriistu hoiukohas.** Kui tööriista ei kasutata, siis tuleb seda hoida kuivas, lukustatud ruumis, lastele kättesaamatus kohas.
- On soovitatav, et tööriistal oleks rikkevoolukaitse, mille nimirikkevool on 30 mA või vähem.
- **Hoidke käesolev juhend alles.** Lugege juhend aeg-ajalt uuesti läbi ja kasutage seda teiste kasutajate juhendamiseks. Kui tööriista välja laenate, siis andke käesolev kasutusjuhend kaasa.

LASERI OHUTUS

- Tegemist on 2. klassi lasertootega, mille laserikiire võimsus on maksimaalselt =1 mW ja lainepikkus 650 nm. Ärge vaadake laserikiirele otse vastu. Kasutusreeglite eiramine võib põhjustada tõsiseid kehavigastusi.
- Ärge vaadake laserikiirele töö ajal otse vastu.
- Ärge suunake laserikiirt kõrvalolijatele silma. See võib põhjustada raskeid silmavigastusi.
- Ärge paigutage seadet asendisse, mille puhul võib laserikiir tahtmatult või tahtlikult kellegi silma tabada.
- Ärge kasutage laserikiire vaatamiseks mingit optilist seadet.
- Ärge kasutage laserjuhikut laste juures ega laske lastel seda kasutada.
- Ärge püüdke laserjuhikut ise parandada.
- Ärge püüdke ise muuta ühegi laserjuhiku osa konstruktsiooni.
- Remonti tohib teha vaid laseri tootja või tema volitatud agent.

- Ärge varustage seda laserjuhikut muud tüüpi laseriga.

⚠ HOIATUS

Mõnede materjalide lihvpaberiga lihvimisel, saagimisel, abrasiivkettaga töötlemisel, puurimisel või muude ehituslike töötlemisviiside kasutamisel võib tekkida tolm, mis teadaolevalt põhjustab vähi, sünnikahjustusi ja viljatust. Selliste kemikaalide näited:

- tinapõhistes värvides sisalduv tina;
- tellistes, tsemendis ja muudes müürimaterjalides sisalduv kristalliline räni;
- sügavimmutatud puidus sisalduv arseen ja kroom.

Nimetatud ainetega kokkupuutumisest tekiv risk sõltub sellest, kui tihti sellist tööd tehakse. Nende kemikaalidega kokkupuute vähendamiseks töötage hästi ventileeritud kohas ja kasutage heakskiidetud isikukaitsevahendeid, näiteks sellist tolmumaski, mis on ette nähtud mikroskoopiliste osakeste väljafiltreerimiseks.

ELEKTRISÜSTEEM

Kasutage vaid 3-soonelist pikendusjuhet, millel on 3-kontaktiline pesa ja 3-kontaktiline pistik. Kui kasutate seadet toiteallikast kaugel, siis kasutage suure ristlõikega pikendusjuhet, mis on võimeline tagama piisava pinge. Liiga väikese ristlõikega pikendusjuhtme kasutamisel tekib pingelangus, millega kaasneb võimsuskadu ja mootori ülekuumenemine.

Enne pikendusjuhtme kasutamist kontrollige, ega mõni juhtme soon pole lahti või kulunud isolatsiooniga.

⚠ HOIATUS

Hoidke pikendusjuhe väljaspool tööala. Mehaanilise tööriistaga töötamisel tuleb pikendusjuhe paigaldada nii, et see ei takerdu puude, tööriistade ega muude takistuste taha. Muidu võib tulemuseks olla raskeid kehavigastused.

⚠ HOIATUS

Kontrollige pikendusjuhtmed iga kord enne kasutamist üle. Kui see on vigastatud, asendage viivitamatult. Ärge mingil juhul kasutage vigastatud juhtmega tööriista, sest vigastatud koha puudutamisel võite elektrilöögist saada raske vigastuse.

ELEKTRILINE ÜHENDAMINE

Värvipriitsil on täppiskonstruktsiooniga elektrimootor. Seda tohib ühendada vaid toitevõrku 220~240 V, AC (tavaline tavavooluvõrgu pinge), 50 Hz. Ärge ühendage seda seadet alalisvooluvõrku (DC). Kui pinge tundubalt langeb, siis see võib põhjustada võimsuskadu ja mootori

ülekuumenemise. Kui seade pistikupessa ühendamiseks tööle ei hakka, siis kontrollige vooluvõrk üle.

POORLEMISKIIRUS JA JUHTMESTIK

See kiirus ei ole muutumatu ja langeb koormuse tõstmisel või pinge langemisel. Töökoha toiteahela pinge mõjutab oluliselt mootori võimsust. Toiteliin, mis on ette nähtud vaid valgusti jaoks, ei ole piisava ristlõikega elektrilise tööriista mootori jaoks. Toitejuhe, mis on piisav lühikesel vahekaugusel kasutamiseks ei pruugi olla piisav pikemal kaugusel kasutamiseks. Toiteliini ristlõige, mis rahuldab ühe elektrilise tööriista vajadused, ei pruugi olla piisav kahe või kolme tööriista jaoks.

MAANDAMISJUHISED

Rikke või vigastuse korral loob maandussüsteem voolule väikese takistusega ahela, et sellega vähendada elektrilöögi ohtu. Seadme toitekaabliil on maandussoon ja maanduskontaktiga pistik. Pistikut tohib ühendada sobivasse pistikupessa, mis on õigesti paigaldatud ja maandatud ning vastab siseriiklikele seadustele ja määrustele.

Pistiku ümbertegemine on keelatud. Kui pistikupessa nõuetele ei vasta, siis laske paigaldada pädeval elektrikul sobiv pistikupessa. Seadme maandusjuhtme ebaõige ühendamise tagajärjeks võib olla elektrilöök. Maandusjuhtme isolatsioon on roheline kollaste triipudega või ilma triipudeta. Toitejuhtme või -pistiku vahetamisel ei tohi maandusjuhet ühendada faasiklemmiga.

Kui juhe on vigastatud või kulunud, siis tuleb see kohe vahetada.

SOOVITATAVAD TARVIKUD

⚠ HOIATUS

Kasutage ainult sellele tootele soovitatud tarvikuid. Järgige tarvikute juhiseid. Sobimatute tarvikute kasutamine võib olla ohtlik.

- Puur
- Pitskruvid kinnihoidmiseks
- Puurpingi kruustangid

⚠ HOIATUS

Kasutage ainult sellele tootele mõeldud tarvikuid, et vältida eemalepaiskuvate katkiste osade või töödeldavate detailide poolt põhjustatud vigastusi.

Ärge kasutage ühtegi tarvikut enne, kui olete lugenud selle kasutusjuhendit.

PAKENDI SISU

LAHTIPAKKIMINE JA SISU KONTROLLIMINE

⚠ HOIATUS

Kui mõni osa puudub või on kahjustatud, ärge lülitage toodet sisse, enne kui puuduv või katkine osa on asendatud ning toode kokku pandud.

Pakkige toode ja kõik osad ettevaatlikult lahti ning kontrollige vastavust allpool oleva nimekirjaga.

Toote treitid pinnad on niiskuse eest kaitsekihiga kaitstud. Eemaldage see kaitsekiht petrooleumi või WD 40-ga niisutatud pehme lapiga.

⚠ HOIATUS

Tuleohtu või toksilise reaktsiooni vältimiseks ei tohi toote puhastamiseks kunagi kasutada bensiini, naftat, atsetooni, vedeldajat ega muid sarnaseid kergesti lenduvaid lahusteid.

Roostetamise vältimiseks kandke lauale, sambale ja treitid pindadele vahakihit. Pühkige kõik osad korralikult puhta kuiva lapiga.

Artikkel	Kirjeldus	Tk.
1	Ülemine osa	1
2	Tugialus	1
3	Alusplaat	1
4	Hammaslatt	1
5	Sambasõlm	1
6	Hammaslati rõngas	1
7	Etteandekäepidemed	3
8	Tiguülekanne	1
9	Laua lukustuskäepide	1
10	Laua vändaga käepide	1
11	Kuuskantpoldid	3
12	Padrun	1
13	Padrunivõti	1
14	4 mm kuuskantvõti	1
15	3 mm kuuskantvõti	1

KOKKUPANEMINE JA REGULEERIMINE**⚠ HOIATUS**

Turvalisuse huvides ei tohi tootepistikut ühendada pistikupessa enne, kui kõik osad on kokku pandud ning ohutus- ja tööjuhised läbi loetud ja endale selgeks tehtud.

⚠ HOIATUS

Tegemist on raske tööriistaga, mida tõstetakse turvaliseks kokkupanekuks kahekesi või mitmekesi.

SAMBA ALUSE KÜLGE KINNITAMINE

Vaata joonist 5.

1. Pange alus tasasele ja kindlale pinnale.
2. Pange sambasõlme aluses olevad augud aluse kruviaukudega kohakuti.
3. Pange igasse auku kuuskantpolt.
4. Keerake kuuskantpolidid reguleeritava mutrivõtmeaga kinni.

LAUA SAMBASÕLME KÜLGE KINNITAMINE

Vt jooniseid 6-10.

1. Pange lauaklambri lukustuskäepide lauaklambri tagaosas olevasse keermega avasse.
MÄRKUS: Paigaldage käepide vasakult paremale, nii et see siseneks lauaklambri keermestamata poolelt.
2. Lükake tiguülekanne läbi laua vändaava lauaklambris. Kontrollige, et tiguülekanne hambuks korralikult.
MÄRKUS: Ärge eemaldage tiguülekanndelt määret.
3. Lükake hammaslati läbi lauaklambri, nii et hambad jääks väljapoole ja pikem sile ots ülespoole. Tiguülekanne peab hammaslatiga hambuma.
4. Lükake kogu laud koos hammaslatiga kahe käega sambale, kuni lati alumine ots on alumise krae sees ja samba vastas.
5. Keerake lauaklambri lukustuskäepide lauasõlme samba külge kinnitamiseks kinni.
MÄRKUS: Ärge üle pingutage.
6. Lükake hammaslati rõngas, faas allpool, samba otsa, nii et faasiga külg oleks lati faasiga otsa küljes.
7. Keerake krae seadekruvi kuuskantvõtmega kinni. Samba või krae kahjustamise vältimiseks ei tohi seadekruvi üle pingutada.
MÄRKUS: Laud peab küljelt küljele liikuma.
8. Paigaldage laua vändaga käepide tiguülekannde otsa, nii et lapik külg oleks seadekruvi poole.
9. Keerake seadekruvi kuuskantvõtmega kinni.

ÜLAOSA PAIGALDAMINE

Vaata joonist 11.

⚠ HOIATUS

Puurpingi ülaosa on raske ja seda peab tõstma samba külge panemiseks kahekesi.

1. Pange ülaosa samba külge, nii et padrun jääks laua kohale.
MÄRKUS: Seade on väga raske. Vajadusel paluge abi.
2. Lükake ülaosa nii alla, kui see läheb. Pange lauasõlm alusega kohakuti ja keerake kaks seadekruvi kuuskantvõtmega kinni.

ETTEANDEKÄEPIDEMETE PAIGALDAMINE

Vaata joonist 12.

1. Kinnitage kolm etteandekäepidet, kruvides nad võllisõlme keermega avadesse.

PADRUNI PAIGALDAMINE

Vt jooniseid 13-15.

⚠ HOIATUS

Enne padruni puurpingi ülaosa külge panemist puhastage kõik liitepinnad mitte bensiinipõhise tootega üle. Nende osade pakkimiseks kasutatud õli või määre tuleb eemaldada, et padrun töö ajal lahti ei tuleks.

1. Puhastage padrunis olev kooniline ava puhta lapi ja mitte alkoholipõhise puhastusvahendiga. Pühkige kõik õlijäägid, mustus või tahm hoolikalt ära.
2. Puhastage eelkirjedatud viisil ka spindli koonilised pinnad.
MÄRKUS: Kontrollige, et pindade külge pole jäänud võõrkehi. Ka väga väike pindade külge jäänud tükike või õlitilk takistab padrunil korralikult paigale minna. See põhjustab puuripadruni ja -tera vibamist.
3. Pange padrun spindli külge. Pakkide kahjustamise vältimiseks avage padrun täielikult.
4. Avage laua tugilukustus ja keerake laud padruni alt kõrvale.
5. Lükake padrun lõpuni üles spindli külge.
6. Koputage padrun, selle kaitseks puutükki kasutades, puu- või kummihaamriga kindlalt paika.

⚠ ETTEVAATUST

Tööriista kahjustamise oht. Padruni kahjustamise vältimiseks ärge kasutage padruni spindli külge kinnitamiseks metallhaamrit.

PADRUNI EEMALDAMINE

1. Keerake padrun etteandekäepidemetest alumisse asendisse.
2. Pange kuulliigendi separaator (ei ole joonisel) padruni külge ja koputage puu- või kummihaamriga kergelt spindli küljest lahti.
MÄRKUS: Ärge lööge padrunit otse puu- või

kummihaamriga.

MÄRKUS: Padruni kahjustamise vältimiseks tõstke pikad kõigepealt täiesti üles ja olge valmis kukkuvat padrunit kinni püüdma.

PUURPINGI TÖÖPINNA KÜLGE KINNITAMINE

Vaata joonist 16.

Püsivas asukohas kasutamise korral kinnitage toode tööpingi või mõne teise stabiilse pinna külge.

Kui toodet kantakse kaasas, kinnitage see püsivalt aluslaua külge, mille saab pitskruidudega hõlpsasti tööpingi või mõne muu stabiilse pinna külge kinnitada. Aluslaud peab olema piisavalt suur, et toode ei saaks kasutamise ajal kalduda. Soovitame kasutada 19 mm pakust kvaliteetset vineeri või puutilaastplaati.

1. Märkige alust šabloonina kasutades pinnale puurpingi kinnitusavade kohad.
2. Puurige kinnituspinna sisse augud.
3. Asetage puurpink kinnituspinnale, nii et aluse avad oleks pinna sisse puuritud aukudega kohakuti.
4. Pange poldid (ei ole kaasas) avadesse ja pingutage lukustusseibide ja kuuskantmutritega (ei ole kaasas). Kruvipoltide kasutamisel veenduge, et nad oleksid piisavalt pikad puurpingi aluse ja aluspinna avade läbimiseks. Masinapoltide kasutamisel veenduge, et nad oleksid piisavalt pikad puurpingi ja aluspinna avade läbimiseks ning lukustusseibide ja mutrite kinnitamiseks.

MÄRKUS: Kõik poldid sisestatakse ülevaltpoolt. Paigaldage lukustusseibid ja kuuskantmutrid tööpingi alt.

Kui toode on kindlalt stabiilsele pinnale kinnitatud:

1. Kontrollige, ega mootor ei hakka sisselülitamisel vibreerima.
2. Vajadusel reguleerige kinnitusvahendeid ja pingutage üle.
3. Kontrollige, kas lauasõlm liigub sambal sujuvalt üles-alla.
4. Kontrollige, kas spindlivõll liigub sujuvalt.

PADRUNIVÕTME HOIUSTAMINE

Vaata joonist 17.

Padrunivõtme hoidik asub toote paremal küljel.

KALDPUURIMINE

Vaata joonist 18.

MÄRKUS: Puurpink on ligikaudsete kaldenurkade määramiseks varustatud skaalaga. Täpse töö korral kasutatakse laua paikapanekuks nurgikut või mõnda muud mõõteriista. Kallutuskala kasutamiseks:

1. Keerake lukustustihvti mutter 10 mm või tellitava võtmega päripäeva kinni, et vabastada tihvt lauatoe küljest. Seda tihvti läheb vaja laua tagasi 0-kraadise nurga alla seadmiseks. Ärge visake ära.
2. Keerake kalde lukustuse suur kuuskantpolt 17 mm või reguleeritava võtmega lahti.
3. Kallutage lauda, nii et soovitud nurgamõõt on skaala vastas oleva nulljoonega kohakuti.
4. Keerake laua kalde lukustuspolt kinni.

5. Laua algasendisse tagasiviimiseks keerake kalde lukustuspolt lahti. Viige laud tagasi 0° asendisse.
6. Pange lukustustihvti mutter tagasi keermete välisotstele. Koputage lukustustihvti kummihaamriga õrnalt, kuni see läheb lauaklambri sobivasse avasse. Keerake mutter käega kinni.

MÄRKUS: Joonisel on laud selguse mõttes eemaldatud.

⚠ HOIATUS

Kehavigastuste vältimiseks tõmmake alati pistik pistikupesast välja, kui teete reguleerimistöid.

SPINDEL / PINOOL

Vaata joonist 20.

Keerake etteandekäepidemeid spindli alumisse asendisse viimiseks vastupäeva. Hoidke padrunist kinni ja liigutage seda edasi-tagasi. Liigse lötku korral reguleerige järgmiselt:

1. Keerake toote paremal küljel asuv lukustusmutter 10 mm võtmega lahti.
2. Keerake kruvi lötku kõrvaldamiseks nelikantpeaga kruvikeerajaga päripäeva, vältides spindli ülespoole liikumist. (Väike spindli lötk on normaalne.)
3. Keerake lukustusmutter kinni.

PINOOLI TAGASTUSVEDRU

Vaata joonist 21.

Pinooli tagastusvedru võib vajada reguleerimist, kui pinooli tagastuskiirus on liiga kiire või aeglane. See vedru asub puuri ülaosa vasakul küljel.

1. Lötku suurendamiseks laske lauda allapoole.
2. Pange kruvikeeraja vedrukate alumisse soonde. Hoidke seda lahtikeeramise ajal paigal ja võtke 10 mm mutrivõtmega ära ainult välimine kontramutter.
3. Kui kruvikeeraja on veel sälgus, keerake sisemist mutrit, kuni sälk tuleb puurpingi ülaosa kõrgendi küljest lahti.

MÄRKUS: Ärge eemaldage sisemist mutrit, sest vedru tuleb hooga lahti.

4. Keerake vedrukate kruvikeerajaga ettevaatlikult vastupäeva, kuni see on järgmises sälgus.
5. Laske pinool etteandekäepidet vastupäeva pöörates ja vedrukate paigal hoides alumisse asendisse.
6. Kui pinool liigub üles-alla nagu vaja, keerake sisemine mutter vastu vedrukate ja vedrukate mutrivõtmega kinni. Liiga lõdva liikumise korral korra pingutamiseks samme 3 kuni 5. Liiga jäiga liikumise korral korra vastupidises järjekorras samme 4 ja 5.
7. Keerake välimine mutter mutrivõtmega vastu sisemist.

MÄRKUS: Vältige ülepingutamist ja piirake pinooli liikumist.

RIHMA PINGSUS

Vaata joonist 22.

1. Avage riimaratta kaas.



- Keerake rihma pinge alt vabastamiseks puurpingi ülaosa paremal küljel olevat rihma pingsuse lukustusnuppu vastupäeva.
 - Tõmmake rihma pingsuse lõvendamiseks mootorit pingi esiosa poole.
 - Pange rihm rattal soovitud kiirusele vastavasse asendisse.
 - Lükake mootorit puurpingi ülaosast eemale, kuni rihm on õige pinge all.
- MÄRKUS:** Rihma pingsus on õige, kui rihm kaldub keskele vajutades umbes 13 mm kõrvale.
- Keerake rihma pingsuse lukustusnupp mootori paigalekinnitamiseks kinni. Sulgege rihmaratta kaas.

LASERI JOONDATUSE KONTROLLIMINE JA REGULLEERIMINE

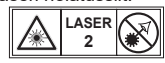
Toode on varustatud Laser Trac®-seadmega. Laserkiir võimaldab enne puurimist puuritera teed tõeldava detailil jälgida.

⚠ HOIATUS

Vältige otsest silmsidet

Laserkiir lülitub sisse laserjuhiku sisselülitamisel. Vältige otsest silmsidet. Alati enne reguleerimistõid ühendage toode vooluallikast lahti.

- Laserosuti ei ole mänguasi ega tohi sattuda laste kätte. Selle seadme väärkasutus võib põhjustada paranematuid silmakahjustusi.
- Igasugune laseri võimsuse suurendamiseks mõeldud reguleerimine on keelatud.
- Laserosuti kasutamisel ei tohi suunata laserkiirt teiste inimeste ja/või peegelduvate pindade suunas. Isegi väikese võimsusega laserkiir võib silmi kahjustada. Ärge vaadake laserikiirele otse vastu.
- Laserosuti ei sisalda hooldatavaid osi. Ärge kunagi avage korpust remondiks ega reguleerimiseks.
- Laseri hoiatussilt:



- Ärge eemaldage ega muutke hoiatussilte. Siltide eemaldamine suurendab kiirgusega kokkupuute ohtu.
- ETTEVAATUST:** Muude, kui siin määratud seadiste, sätete või tööprotseduuride kasutamine võib põhjustada kokkupuute ohtliku kiirgusega.
- Ärge proovige laserloodi parandada ega lahti võtta. Kui väljaõppimata isik hakkab lasertoodet parandama, võib tagajärjeks olla tõsine vigastus. Jätke kõik lasertooted parandamiseks vajalikud parandustööd volitatud teeninduse hooleks.
- ETTEVAATUST:** Optikaseadmete koos selle seadmega kasutamine suurendab silmavigastuste ohtu.

⚠ HOIATUS

Ärge kasutage laservalguse intensiivistamiseks toonitud klaase. Toonitud klaasid vähendavad töö ajal üldist nähtavust ja takistavad tööriista normaalset kasutamist.

⚠ HOIATUS

Laserkiirgus. Ärge kunagi suunake laserkiirt peegelduva pinnaga detailile. Laseriga ei soovitata kasutada eredalt läikivat plekki ega muid samaseid peegeldavaid pindu. Peegelduvalt pinnalt võib kiir tagasi peegelduda kas seadme kasutajale või teistele isikutele.

LASERIJOONTE REGULLEERIMINE

Vaata joonist 23.

Kontrollige, kas laserijoonte löikepunkt on täpselt seal, kus puuritera detaili siseneb. Kui mitte, reguleerige laserijooni puurpingi ülaosa vastaskülgedel asuvatest reguleerimisnuppudest.

- Joonistage puutükile X.
- Pange padrunisse väike puuritera ja joondate selle ots X-i joonte ristumiskohta.
- Kinnitage laud puurpingi töölauda külge.
- Lülitage laserjuhik sisse ja kontrollige, kas laserijooned langevad detailil oleva X-ga kokku.
- Kui laserijooned ei lange kokku, keerake laseri korpuse kummalgi küljel olevad seadekruid kuuskantvõtmega lahti ja pöörake laseri reguleerimisnuppe, kuni jooned on X-i keskel. Keerake seadekruid jälle kinni.

KASUTAMINE

⚠ HOIATUS

Peale tööriistadega tutvumist ärge muutuge hooletuks. Pidage meeles, et hetkeline hooletus, võib olla piisav tõsise vigastuse tekitamiseks.

⚠ HOIATUS

Kandke alati sellist kaitsemaski või kaitseprille, mis kaitsevad töötamisel silmi ka külgedelt. Selle eiramine võib tähendada, et võõrkehad võivad sattuda teile silma, mis võib põhjustada tõsise vigastuse.

⚠ HOIATUS

Ärge kasutage lisaseadmeid ega lisandeid, mida pole selle toote tootja soovitanud. Soovimatata lisaseadmete ja tarvikute kasutamine võib põhjustada tõsise kehavigastuse.



⚠ HOIATUS

Kehavigastuse vältimiseks hoidke sisselülitatud juhik puurimise ajal suletuna ja paigal.

KIIRUSTE MUUTMINE JA RIHMVAHETUS

Vaata joonist 24.

Spindli kiiruse määrab rihma asend puurpingi ülaosas asuval rihmarattal. Puurpingi ülaosa katte siseküljel olev kiirusgraafik näitab soovitatavat kiirust ja rihmaratta konfiguratsiooni iga puurimistöö puhul.

Rihmaratta konfiguratsiooni muutmiseks:

1. Tõstke rihmaratta kate üles.
2. Keerake pingutuspoltt lahti.
3. Eemaldage rihm.
4. Tõstke rihm kiirusgraafiku järgi ümber.
5. Keerake pingutuspoltt kinni.

MÄRKUS: Puuritera suuruse ja puurimiskiiruse kohta vt osa "Soovituslik puurimiskiirus".

SOOVITUSLIK PUURIMISKIIRUS

PUURIMISKIIRUSE TABEL (RPM)			
Puuritera läbimõõt (tollid)	Materjal		
	Puit Plastid	Alumiinium Tsink Messing	Raud Teras
1/16	2430	2430	2430
1/8			1800
3/16			1300
1/4		1800	800
5/16		1300	
3/8	1800	800	510
1/2	800	510	

„Sisse/välja“-lülitid

Vaata joonist 25.

Tööriista sisselülitamine.

1. Vajutage nuppu ON (SISSE) (I).

Tööriista väljalülitamine.

1. Vajutage nuppu OFF (VÄLJA) (O).

⚠ HOIATUS

Kontrollige alati, et puuritera ei puudutaks enne puuri sisselülitamist töödeldavat detaili. Selle hoiatuse eiramisel võib toorik tagasilöögist lennata töötaja suunas ja põhjustada raske kehavigastuse.

PUURITERADE PAIGALDAMINE JA EEMALDAMINE

Vaata joonist 26.

1. Ühendage toode vooluvõrgust lahti.

2. Seadke padrunipakid asendisse, mille puhul haardeava on sissepandava puuri sabast veidi suurem.
3. Sisestage puuritera kogu pakside pikkuselt padrunisse.

⚠ HOIATUS

Ärge toimige puuritera pakside vahele sisestamisel ega pingutamisel joonisel 19 kujutatud viisil. See põhjustab puuritera väljaviskumist, mille tagajärjeks võib olla tõsine kehavigastus või padruni kahjustus.

4. Keerake padruni pakid kaasasoleva võtmega kinni. Ärge kasutage padrunipakkide pingutamiseks või lõdvendamiseks mutrivõti.
5. Eemaldage padrunivõti.
6. Puuritera eemaldamiseks läbige eelpool kirjeldatud sammud vastupidises järjekorras.

⚠ HOIATUS

Kasutage padrunivõtme puuri sisselülitamisel padrunist hooga väljapaikumisest põhjustatud kehavigastuse või õnnetuse vältimiseks ainult puurpingiga kaasasolevat ise väljatulevat padrunivõtit. Kontrollige enne puuri sisselülitamist alati, et padrunivõti ei oleks padruni küljes ja vajadusel eemaldage see. Kui padrunivõtit ei kasutata, hoidke seda hoidikus.

SPETSIIFILISE SÜGAVUSENI PUURIMINE

Detaili mitteläbiva umbava etteantud sügavuseni puurimiseks saab toimida kahte moodi:

Detailimeetod

Vaata joonist 27.

1. Märkige ava sügavus detaili küljele.
2. Kui lüliti on asendis "OFF" (VÄLJAS), laske puuritera alla, kuni ots on märgiga tasa.
3. Hoidke etteandekäepidet selles asendis.
4. Keerake alumine mutter alla vastu puurpingi ülaosa küljes olevat sügavuspiirikut.
5. Keerake ülemine mutter alla ja pingutage vastu alumist mutrit.
6. Puuritera peatub nüüd pärast detailile märgitud vahemaa läbimist.

Sügavuskaala meetod

Vaata joonist 28.

MÄRKUS: Kui padrun on ülemises asendis, peab puuritera ots olema veidi töödeldavast detailist kõrgemal.

1. Kui lüliti on asendis "OFF" (VÄLJAS), pöörake etteandekäepidet, kuni osuti osutab sügavuskaalal soovitud sügavusele ja hoidke etteandekäepidet selles asendis.
2. Keerake alumine mutter alla vastu sügavuspiirikut.
3. Keerake ülemine mutter alla ja pingutage vastu alumist stoppmutrit.

4. Puuritera peatub nüüd pärast sügavusskaalal valitud vahemaa läbimist.

Augu puurimine

1. Tehke kärni või terava naelaga töödeldaval detailil puurimiskohta märk.
2. Lülitage laserjuhk sisse ja joondage laserijooned märgiga.
3. Lülitage toitelüliti sisse ja tõmmake etteandekäepidemeid alla, kasutades vaid puuri lõikamiseks vajalikku jõudu.

Liiga kiire etteandmise tagajärjeks võib olla rihma või puuri libisemine, detaili lahtirebimine või puuritera murdumine.

Metalli puurides tuleb puuritera otsa ülekuumenemise vältimiseks metallipuurimisõliga määrada.

ENDA KAITSMISEKS

⚠ HOIATUS

Et vältida elektritööriista vahele jäämist, ärge kandke lahtist riietust, kindaid, lipsu ega ehteid. Pikad juuksed pange alati kinni.

1. Kui mõni toote osa puudub, osal on talitlushäire, osal on kahjustatud või katki, peatage otsekohe töötamine, kuni see osa on korralikult parandatud või välja vahetatud.
2. Ärge kunagi asetage sõrmi kohta, kus nad võivad puuritera või mõne teise lõikeriistaga kokku puutuda. Töödeldav detal võib ootamatult paigast liikuda või teie käsi võib libiseda.
3. Töödeldava detaili käest lahtirebimise, eemalepaiskumise, tööriista poolt ringiajamise või killustumise vältimiseks toetage seda alati järgmiselt:
 - Pange (töödeldava detaili all kasutatav) tugimaterjal alati nii, et see oleks samba vasaku külje vastas.
 - Kui võimalik, pange töödeldav detail vastu samba vasakut külge. Kui detail on liiga lühike või laud on kaldus, kinnitage see pitskruvidega kindlalt laua külge, kasutades lauas olevaid pilusid.
 - Kruustange (ei ole kaasas) kasutades tuleb need alati laua külge kinnitada.
 - Ärge töötage vaba käega (hoides detaili kinni käega, laua peale toetamata), v.a poleerimisel ja lihvimisel.
 - Lukustage enne puurpingi avamist ülaosa ja tugi samba külge, töölaua varb toe külge ja töölaud lauavarva külge.
 - Ärge kunagi liigutage ülaosa ega lauda tööriista töötamise ajal.
 - Enne puurima asumist vajutage mootorilülitle, et kontrollida, ega puuritera või muu lõikeriist ei viska ega põhjusta vibratsiooni.
 - Kui töödeldav detail ulatub üle laua ääre ja võib kinni hoidmata kukkuda või viltu minna, kinnitage see pitskruvidega laua külge või toetage täiendavalt.

- Ebatavaliste toimingute puhul kasutage töödeldava detaili korralikuks kinnihoidmiseks, juhtimiseks ja paigutamiseks kinnitusi.
 - Kasutage konkreetse toimingu ja töödeldava materjali puhul soovitatavat spindli kiirust. Puurimiskiiruse alast teavet vt rihmaratta kätte siseküljel olevalt paneelilt või osast "Soovituslik puurimiskiirus". Tarvikute kohta vt iga tarvikuga kaasas olevast juhendist.
4. Ärge kunagi ronige puurpingi lauale, sest tagajärjeks võib olla pingi purunemine või ümberminek.
 5. Lülitage toote juures lahkudes toide välja.
 6. Eemalepaiskuva detaili või tööriista kokkupuutest põhjustatud vigastuse vältimiseks ei tohi pöörleva puuri korral teha puurpingi laual projekteerimis-, kooste- ega seadistustoiminguid.

LAUA JA TÖÖDELDAVA DETALI PAIGUTUS

Vaata joonist 29-30.

1. Lukustage töölaud samba külge nii, et puuritera ots oleks peaaegu vastu töödeldavat detaili.
2. Pange töödeldava detaili alla lauale alati alus (puutükk). See väldib killu väljalöömist või suuremat põletust töödeldava detaili alaküljel. Tugimaterjali pöörlemahakkamise vältimiseks peab selle panema vastu samba vasakut külge.
3. Kasutage üle ulatuva tooriku toetamiseks sobivaid abinõusid.

⚠ HOIATUS

Töödeldava detaili või tugimaterjali puurimise ajal eemalepaiskumise vältimiseks PEAB töödeldava detaili panema vastu samba vasakut külge. Kui töödeldav detail või tugimaterjal ei ulatu sambani, kasutage nende laua külge kinnitamiseks pitskruve. Töödeldava detaili kinnitamata jätmise tagajärjeks võib olla kehavigastus.

⚠ HOIATUS

Pöörleva detaili, kahjustatud kruustangide või puuritera tükide poolt põhjustatud kehavigastuse vältimiseks kinnitatakse puurpingi kruustangid pitskruvide või poltidega laua külge.

PUURIMISKOHA HOIDMINE

1. Tehke puuritavasse kohta kärni või terava naelaga märk.
2. Enne puuri sisselülitamist lülitage laserjuhk sisse ja joondage laserijooned (x) märgiga.

TÖÖLAUA KALLUTAMINE

Vaata joonist 31.

MÄRKUS: Lauatoes on lukustustihvtiga ava töölaua ettepuuritud 0° kaldenurga alla lukustamiseks.

1. Keerake lukustustihvti mutter 10 mm või reguleeritava võtmega päripäeva kinni, et vabastada tihvt lauatoes küljest. Seda tihvti läheb vaja laua tagasi 0-kraadise nurga alla seadmiseks.

2. Keerake kalde lukustuse suur kuuskantpolt 17 mm või reguleeritava võtmega lahti.

⚠ HOIATUS

Vigastuse vältimiseks hoidke lauda ja lauavarva sõlme kinni, et nad ei saaks pöörduda ega kalduda.

3. Kallutage lauda, nii et soovitud nurgamõõt on skaala vastas oleva nulljoonega kohakuti.
4. Keerake laua kalde lukustuspolst kinni.
5. Laua algasendisse tagasiviimiseks keerake laua kalde lukustuspolst lahti. Viige laud tagasi 0° asendisse.
6. Pange lukustustihvti mutter tagasi keermete välisotstele. Koputage õrnalt lukustustihvtile, kuni see läheb lauaklambri sobivasse avasse. Keerake mutter käega kinni.

⚠ HOIATUS

Pöörleva tööriista või tööriista purunemise vältimiseks kinnitage töödeldav detail ja tugimaterjal enne puurima asumist kindlalt laua külge.

ETTEANDMINE

1. Tõmmake etteandekäepidemeid allapoole, rakendades vaid puuritera lõikamiseks vajalikku jõudu.
2. Liiga aeglasel etteandmisel võib puuritera põhjustada põletust. Liiga kiire etteandmise tagajärjeks võib olla rihma või puuri libisemine, detaili lahtirebimine või puuritera murdumine.
3. Metallil puurides tuleb nii töödeldavat detaili kui puuritera põletuse vältimiseks metallipuurimisõliga määrada.

HOOLDUS

⚠ HOIATUS

Enne puurpingi hooldamist või määrimist keerake ohutuse huvides lüüti välja (OFF) ja tõmmake pistik pistikupesast välja.

Puhuge mootorile, rihmaratta korpusele, lauale ja tööpinna kogunenud saepuru või metallilaastud õhukompressori või tolmuimejaga regulaarselt ära. Tööriista töötamisel kandke alati kaitseprille.

⚠ HOIATUS

Elektrilöögi või tuleohu vältimiseks laske kulunud või sisselõikega toitejuhe viivitamatult väljaõppinud elektrikul või tehnikul välja vahetada.

MÄÄRIMINE

Kõik puurpingi kuullaagrid on tehases määritud. Neid ei ole vaja enam määrada.

268 | Originaaljuhendi tõlge

Määrige perioodiliselt ülekannt ja hammaslatti, spindli töstemehhanismi ja pinooli hambaid. Laske spindel alla ja õlitage spindli puksi iga kolme kuu tagant mõõdukalt.

TRANSPORTIMINE JA HOIUSTAMINE

Vaata joonist 32.

Toodet transportides ühendage toitejuhe lahti ja kontrollige, et kõik osad oleksid turvaliselt kinnitatud. Vaadake jooniselt 32 haaramiskohti toote töstmiseks.

Hoidke seadet kaitstud kohas, mis on lastele juurdepääsmatu.

Enne hoiustamist puhastage seade harja või tolmuimejaga.

SÜMBOL



Ouhuoiatus



Euroopa vastavusmärgis



Suurbritannia vastavusmärgis



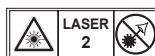
Ukraina vastavusmärgis



Euraasia vastavusmärk



Lugege enne masina kasutamist juhised hoolikalt läbi.



Laserkiirgus.

Ärge vaadake laserikiirele otse vastu.

2. klassi laserseade



Ärge jätke vihma kätte või kasutage niisketes kohtades.



Kandke kuulmise kaitsevahendeid



Kandke alati silmakaitsevahendeid.





Padruni max läbimõõt



Spindli samm



Puurimise joendus



Puuritera läbimõõt (tollides)



Puit

Alumiinium
Tsink
MessingRaud
Teras

Ärge kõrvaldage elektri-ja elektroonikaseadmete jäätmeid sortimata olmejäätmetena. Elektri-ja elektroonikaseadmete jäätmed tuleb koguda eraldi. Jäätmetest valgusallikad tuleb seadmetest eemaldada. Taaskasutusnõuannete ja kogumispunktiga seotud teabe saamiseks pöörduge kohaliku omavalitsuse või edasimüüja poole. Kohalike eeskirjade kohaselt võib jaemüüjatel olla kohustus elektri-ja elektroonikaseadmete jäätmed tasuta tagasi võtta. Teie panus elektri-ja elektroonikaseadmete jäätmete korduskasutamisse ja ringlussevõttu aitab vähendada toorainete nõudlust. Elektri-ja elektroonikaseadmete jäätmed sisaldavad väärtuslikke ja ringlussevõetavaid materjale, mis võivad keskkonda ja inimeste tervist kahjustada, kui neid ei kõrvaldata keskkonnasäästlikul viisil. Olemasolul kustutage jäätmeseadmest isikuandmed.

VEAOTSING

Ilming	Võimalik põhjus	Lahendus
Töömüra.	<ol style="list-style-type: none"> 1. Rihma ebaõige pingsus. 2. Spindel on kuiv. 3. Spindli rihmaratas on lahti. 4. Mootori rihmaratas on lahti. 	<ol style="list-style-type: none"> 1. Reguleerige pingsust. Vt osa "Rihma pingsus". 2. Määrige spindlit. Vt osa "Määrimine". 3. Kontrollige rihmaratta kinnitusmutri kinnitust ja vajadusel pingutage. 4. Pingutage mootori rihmaratta seadekrüvi.
Puuritera tekitab põletust.	<ol style="list-style-type: none"> 1. Vale kiirus. 2. Laastud ei tule august välja. 3. Puuritera on nüri. 4. Etteanne on liiga aeglane. 5. Määrimata. 	<ol style="list-style-type: none"> 1. Muutke kiirust. Vt osa "Kiiruste muutmine ja rihmavahetus". 2. Tõmmake puuri laastude eemaldamiseks sageli tagasi. 3. Teritage uuesti puuritera või asendage uuega. 4. Etteanne on piisavalt kiire - laske puuril lõigata. 5. Määrige puuri. Vt osa "Etteandmine".
Puuritera on kulunud - auk ei tule ümmargune.	<ol style="list-style-type: none"> 1. Kõvakiuline puit või lõiketeed ja/ või -nurgad pole võrdsed. 2. Puuritera on kõver. 	<ol style="list-style-type: none"> 1. Teritage puuritera korralikult uuesti. 2. Vahetage puuritera välja.
Alumisel küljel on puupinde.	<ol style="list-style-type: none"> 1. Töödeldava detaili all ei ole tugimaterjali. 	<ol style="list-style-type: none"> 1. Kasutage tugimaterjali. Vt osa "Kasutamine".
Töödeldav detail rebitakse käest ära.	<ol style="list-style-type: none"> 1. Töödeldaval detailil ei ole tuge või see ei ole pitskrüvidega korralikult kinnitatud. 	<ol style="list-style-type: none"> 1. Toetage töödeldavat detaili või kinnitage see pitskrüvidega. Vt osa "Kasutamine".
Puuritera jääb tööeldavasse detaili kinni.	<ol style="list-style-type: none"> 1. Töödeldav detail pigistab puuritera kinni või etteandesurve on liiga suur. 2. Vale rihma pingsus. 	<ol style="list-style-type: none"> 1. Toetage tööeldavat detaili või kinnitage see pitskrüvidega. Vt osa "Kasutamine". 2. Reguleerige pingsust. Vt osa "Rihma pingsus".
Puuritera on liiga kulunud või vibab.	<ol style="list-style-type: none"> 1. Puuritera on kõver. 2. Laagrid on kulunud. 3. Puuritera ei ole õigesti padrunis. 4. Padrun ei ole õigesti paigaldatud. 	<ol style="list-style-type: none"> 1. Kasutage sirget puuritera. 2. Vahetage laagrid välja. 3. Paigaldage puuritera õigesti. Vt osasid "Kasutamine" ja "Kokkupanemine ja reguleerimine". 4. Paigaldage padrun õigesti. Vt osa "Padruni paigaldamine".
Pinool läheb tagasi liiga aeglaselt või kiiresti.	<ol style="list-style-type: none"> 1. Spiraalvedru pinget ei ole õige. 	<ol style="list-style-type: none"> 1. Reguleerige vedru pinget. Vt osa "Pinooli tagastusvedru".
Padrun ei jää spindli külge kinni. See kukub paigaldamisel välja.	<ol style="list-style-type: none"> 1. Padruni sisekülj või spindli koonuspind on kaetud mustuse, määrdet või õliga. 	<ol style="list-style-type: none"> 1. Puhastage mitte alkoholipõhise puhastusvahendiga padruni koonuspinda ja spindlit, eemaldades kogu mustuse, määrdet ja õli. Vt osa "Padruni paigaldamine".

OPIS

1. Sklop glave
2. Gornja ploha
3. Baza
4. Zupčasta letva
5. Sklop stupa
6. Prsten letve
7. Ručice za ulaganje materijala
8. Pužni prijenosnik
9. Ručica za blokiranje stola
10. Ručica za pokretanje stola
11. Vijci sa šesterokutnom glavom
12. Stezna glava
13. Ključ za steznu glavu
14. Inbus ključ od 4 mm
15. Inbus ključ od 3 mm
16. Odvijač s ravnom glavom
17. Ključ za podešavanje
18. Viličasti ključ od 12 mm
19. Čekić ili gumeni malj
20. Kombinacijski kutnik
21. Drveni blok
22. Motor
23. Laserska glava
24. Fleksijska povratna spirala / opruga
25. Sklop nosača stola
26. Poklopac remenice
27. Sklopka za Uklj./isklj. (ON/OFF)
28. Prekidač lasera
29. Gornji štitnik
30. Otvor za montažu
31. Vijak za fiksiranje glave stroja
32. Gumb za fiksiranje napetosti remena
33. Nosač za ključ za steznu glavu
34. Remenica radnog vretena
35. Remenica motora
36. Nosač stola
37. Provrta za ručicu za pokretanje stola
38. Postolje stupa
39. Zatični vijak za fiksiranje
40. Glava
41. Zatični vijak za fiksiranje glave stroja
42. Provrta s navojima
43. Sklop glavine
44. Osovina
45. Vijak x 2 (M12, nije uključen)
46. Podložna pločica za fiksiranje x 4 (Dia. 12mm, nije uključena)
47. Gumeni brtveni prsten x 2 (Dia. 12mm, nije uključen)
48. Ravna podložna pločica x 2 (Dia. 12mm, nije uključena)
49. Kontra matica x 2 (M12, nije uključena)
50. Šesterokutna matica x 2 (M12, nije uključena)
51. Radna površina
52. Ljestvica nagiba
53. Vijak za fiksiranje nagiba stola
54. Matica
55. Matica za zaključavanje
56. Vijci
57. Donji prednji urez
58. Poklopac opruge
59. Vanjska kontra matica
60. Unutarnja matica
61. Zarezati
62. Trn
63. Stezne čeljusti
64. Svrđlo za bušenje
65. Dubina provrta
66. Pokazivač skale dubine reza
67. Mjerač dubine
68. Gornja matica
69. Donja matica
70. Granična stopica dubine
71. Komad koji se obrađuje

U dizajnu vaše stupne bušilice vodeću ulogu imaju sigurnost, performanse i pouzdanost.

NAMJENA

Stupna bušilica namijenjena je bušenju provrta u drvetu, plastici, aluminiju i čeliku.

Proizvod smiju upotrebljavati samo punoljetne osobe koje su pročitale upute za korištenje i razumjele moguće rizike i opasnosti.

Proizvod je konstruiran tako da se postolje stroja mora učvrstiti za stabilnu radnu površinu. Ako postolje stroja nije pravilno pričvršćeno, cijeli stroj se može prevrnuti, skliznuti s radne površine ili skakati za vrijeme rada, što povećava mogućnost ozbiljnih tjelesnih ozljeda.

Proizvod se mora koristiti u suhim uvjetima, pod izvrsnim osvjetljenjem i uz odgovarajuću ventilaciju.

Proizvod je namijenjen za korištenje i treba se koristiti samo kao što je gore opisano i nije namijenjeno za bilo koju drugu svrhu.

OPĆA SIGURNOSNA PRAVILA ZA KORIŠTENJE AKU ALATA

⚠ UPOZORENJE

Pažljivo pročitajte sva upozorenja, upute i specifikacije priložene uz alat i pogledajte crteže. Nepoštivanje svih uputa može dovesti do električnog udara, požara i / ili teške ozljede.

Spremite sva upozorenja i upute za buduće korištenje. Pojam „električni alat“ u upozorenjima odnosi se na vaš električni alat (žični) napajanim iz električne mreže ili električni alat na baterije (bežični).

SIGURNOST RADNOG PODRUČJA

- **Držite radni prostor čistim i dobro osvjetljenim.** Zatrpani i neosvijetljeni radni prostori izazivaju nezgode.
- **Nemojte rukovati električnim alatima u eksplozivnim atmosferama poput onih u kojima su prisutne zapaljive tekućine, plinovi ili prašina.** Električni alati stvaraju iskre koje mogu zapaliti prašinu ili pare.
- **Tijekom rada s električnim alatom držite podalje djecu i promatrače.** Ometanje može dovesti do toga da izgubite kontrolu.

ELEKTRIČNA SIGURNOST

- **Utikači električnog alata moraju odgovarati utičnici. Nikada nemojte modificirati utikače ni na koji način. Nemojte koristiti nikakve adapter utikače s uzemljenim električnim alatima.** Originalni utikači i odgovarajuće utičnice smanjuju opasnost od strujnog udara.
- **Izbjegavajte kontakt tijela s uzemljenim površinama poput cijevi, radijatora, štednjaka i hladnjaka.** Ako je vaše tijelo uzemljeno, povećava

se opasnost od strujnog udara.

- **Nemojte izlagati električne alate kiši ili vlažnim uvjetima.** Ulazak vode u električni alat povećava opasnost od strujnog udara.
- **Nemojte zlorabiti kabel. Nikada nemojte koristiti kabel za nošenje, povlačenje ili isključivanje električnog alata. Držite kabel podalje od topline, ulja, oštih rubova ili rotirajućih dijelova.** Oštećeni ili zapleteni kabeli povećavaju opasnost od strujnog udara.
- **Kada radite s električnim alatom na otvorenom, koristite produžni kabel prikladan za rad na otvorenom.** Korištenje kabela prikladnog za rad na otvorenom smanjuje opasnost od strujnog udara.
- **Ako se ne može izbjeći rad s električnim alatima u vlažnoj lokaciji koristite FID sklopku (RCD uređaj) za zaštitu napajanja.** Korištenje RCD uređaja smanjuje opasnost od električnog udara.

OSOBN SIGURNOST

- **Budite na oprezu, gledajte to što radite i pri radu s alatom koristite zdrav razum. Nemojte koristiti alat kad ste umorni ili pod utjecajem droge, alkohola ili lijekova.** Trenutak nepažnje pri radu s električnim alatima može dovesti do teških osobnih ozljeda.
- **Nosite osobnu zaštitnu opremu. Uvijek nosite zaštitna sredstva za oči.** Zaštitna oprema poput maske za zaštitu od prašine, protukliznih sigurnosnih cipela, kacige, ili opreme za zaštitu sluha korištena u odgovarajućim uvjetima smanjit će tjelesne ozljede.
- **Izbjegavajte slučajno pokretanje. Prije priključivanja na izvor napajanja i/ili bateriju, podizanja ili prenošenja proizvoda, uvijek provjerite je li prekidač za paljenje u isključenom položaju.** Prenošenje električnih alata s prstom na prekidaču za paljenje proizvoda ili stavljanje pod napon električnih alata koji imaju upaljen prekidač za paljenje priziva nesreće.
- **Prije uključivanja električnog alata uklonite sve klinove za podešavanje i ključeve.** Ključ ili klin ostavljen priključen na rotirajućem dijelu električnog alata može dovesti do osobne ozljede.
- **Nemojte se nagnjati preko rubova. Cijelo vrijeme držite pravilno uporište i ravnotežu.** Ovo u neočekivanim situacijama omogućuje bolju kontrolu nad električnim alatom.
- **Pravilno se odjenite. Nemojte nositi široku odjeću ili nakit. Svoju kosu i odjeću držite podalje od dijelova u pokretu.** Široka odjeća, nakit ili dugačka kosa mogu biti zahvaćeni u pokretne dijelove.
- **Ako su uređaji opremljeni priključkom na objekte za odvajanje i prikupljanje prašine, uvjerite se da su priključeni i pravilno korišteni.** Korištenje sustava za hvatanje prašine može smanjiti opasnosti povezane s prašinom.
- **Nemojte dopustiti da vas poznavanje alata zbog česte uporabe opusti toliko da zanemarite**

sigurnosne principe rukovanja alatom. Nepažljivo postupanje može prouzročiti teške ozljede u djeliću sekunde.

KORIŠTENJE I BRIGA O ELEKTRIČNOM ALATU

- **Nemojte alat koristiti iznad njegovih mogućnosti. Za vašu primjenu koristite točan uređaj.** Uređaj će bolje i sigurnije raditi na brzini za koju je konstruiran.
- **Nemojte koristiti električni alat ako ga sklopka pravilno ne uključuje i isključuje.** Svaki električni alat koje se ne može kontrolirati pomoću sklopke je opasan i mora se popraviti.
- **Izvucite utikač iz izvora električnog napajanja i/ili uklonite baterijski sklop, ako je odvojiv, prije izvršavanja bilo kakvih prilagodbi ili skladištenja električnih alata.** Takve preventivne sigurnosne mjere smanjuju rizik od slučajnog pokretanja proizvoda.
- **Električne alate pohranite u stanju mirovanja izvan dohvata djece i ne dopustite rad s električnim alatom osobama koje nisu upoznate s električnim alatom ili ovim uputama.** Električni alati su opasni u rukama nestručnih korisnika.
- **Održavajte električne alate i pribor.** Provjerite radi pogrešnog poravnanja ili savijanja pokretnih dijelova, puknuća dijelova i drugih uvjeta koji mogu utjecati na rad alata. Ako je oštećen, uređaj prije korištenja servisirajte. Većina nezgoda uzrokovane su od strane slabo održavanih uređaja.
- **Održavajte oštrinu i čistoću reznih alata.** Pravilno održavani rezni alati oštiri reznih rubova vjerojatno će se manje savijati i njima se lakše upravljati.
- **Proizvod, dodatke i alatne nastavke i sl. koristite u skladu s ovim uputama, uzimajući u obzir radne uvjete i radni postupak koji namjeravate izvršiti tim alatom.** Korištenje električnog alata za radove drugačije od njegove namjene može dovesti do opasne situacije.
- **Ručke i zahvatne površine održavajte suhima, čistima i vodite računa da na njima nema ulja i masti.** Skliske ručke i zahvatne površine ne omogućavaju sigurno rukovanje i nadzor nad alatom u neočekivanim situacijama.

SERVIS

- **Neka vaš električni alat servisira kvalificirana osoba za popravak koristeći samo identične zamjenske dijelove.** Ovo će osigurati da se održi sigurnost električnog alata.

SIGURNOSNA UPOZORENJA ZA STUPNU BUŠILICU

- **Bušilica se mora pričvrstiti.** Bušilica koja nije pravilno pričvršćena može se pomaknuti ili prevrnuti što može izazvati tjelesne ozljede.
- **Obradak se mora učvrstiti stegom ili pričvrstiti na podlogu obratka. Ne bušite komade koji su premali da bi se mogli sigurno pričvrstiti.** Držanje obratka rukom tijekom rada može izazvati tjelesne

ozljede.

- **Ne nosite rukavice.** Rukavice se mogu zaplesti u rotirajuće dijelove ili krhotine što može dovesti do tjelesne ozljede.
- **Držite ruke izvan područja bušenja dok alat radi.** Kontakt s rotirajućim dijelovima ili krhotinama može dovesti do tjelesne ozljede.
- **Uvjerite se da se pribor okreće prije nego što uđe u obradak.** U suprotnom se pribor može zaglaviti u obratku uzrokujući neočekivano pomicanje obratka i tjelesne ozljede.
- **Kada se pribor zaglavi, prestanite ga pritiskati prema dolje i isključite alat. Istražite uzrok i poduzmite korektivne radnje kako biste uklonili uzrok zaglavlivanja.** Zaglavlivanje može prouzročiti neočekivano pomicanje obratka i tjelesnu ozljedu.
- **Izbjegavajte stvaranje dugih krhotina redovito prekidajući pritiskanje prema dolje.** Oštre metalne krhotine mogu prouzročiti zaglavlivanje i tjelesne ozljede.
- **Nikada ne vadite krhotine na području bušenja dok alat radi. Kako biste uklonili krhotine, odmahnite pribor od obratka, isključite alat i pričekajte da se pribor prestane kretati. Krhotine uklonite alatima kao što su četka ili kuka.** Kontakt s rotirajućim dijelovima ili krhotinama može dovesti do tjelesne ozljede.
- **Pribor s nazivnim vrijednostima brzine moraju imati nazivnu vrijednost barem jednaku maksimalnoj brzini označenu na električnom alatu.** Dodaci koji rade na višim brzinama od njihove nominalne brzine mogu se slomiti ili izletjeti s alata.
- **Održavajte svrdla oštirim i čistim.** Oštra svrdla smanjuju mogućnost zapinjanja u materijalu. Prijava i tupa svrdla mogu uzrokovati pogrešno poravnavanje materijala i moguće tjelesne ozljede rukovatelja stroja.
- **Držite ruke dalje od radnog područja.** Držite ruke dalje od svrdla. Osigurajte svu opuštenu odjeću, nakit, dugu kosu i sve ostalo što može doći u zahvat sa svrdlom.
- **Kako biste izbjegli okretanje radnog komada za vrijeme bušenja, obradak uvijek pričvrstite stegom ili poduprite na stup.** Nikada nemojte rukom držati obradak za vrijeme bušenja.
- **Za različite nastavke bušilice i materijale obratka koristite preporučene brzine bušenja.**
- **Provjerite i potvrdite da su svrdlo ili rezni alat sigurno fiksirani u steznoj glavi.**
- **Provjerite jeste li uklonili ključ za steznu glavu prije nego što uključite stroj na izvor napajanja ili ga uključite.**
- **Podesite stol ili graničnik dubine kako biste izbjegli bušenje u stol.** Prije nego što napustite stroj isključite napon, uklonite svrdlo i očistite stol.
- **Izbjegavajte izravno izlaganje očiju prilikom korištenja lasera.**



- **Laserska zraka mora biti usmjerena na površinu koja nema reflektivna svojstva.** Blještavi reflektirajući materijali nisu pogodni za upotrebu korištenjem lasera.
- **Nikada nemojte stavljati prste u položaj u kojem oni mogu doći u dodir sa svrdlom ili drugim reznim alatom u slučaju iznenadnog pomaka stroja.**
- **Nikada nemojte pokušavati raditi strojem tako da pomičete glavu ili stol jedno prema drugom.** Nemojte uključivati prekidač motora ili započinjati postupak prije nego što provjerite jesu li glava stroja i ručica za fiksiranje nosača stola čvrsto stegnute za stup stroja te jesu li glava i naglavci nosača stola ispravno pozicionirani.
- **Prije uključivanja stroja na prekidaču provjerite je li spušten štitnik remena te je li stezna glava pravilno montirana.**
- **Kada ostavljate proizvod bez nadzora, isključite motor i blokirajte ga.** Nemojte raspoređivati, sklapati ili postavljati elemente na stolu dok je rezni alat uključen, dok radi ili dok je stroj spojen na izvor napajanja.
- **Ako je kabel za napajanje oštećen, mora ga zamijeniti samo proizvođač ili ovalšteni servisni centar kako bi se izbjegla opasnost.**
- **Skladištite prazne alate.** Kada se ne koristi, alat treba skladištiti na suhom i zaključanom mjestu izvan dosega djece.
- **Preporučuje se da se alat uvijek napaja putem uređaja za rezidualnu struju čija je nazivna vrijednost rezidualne struje 30mA ili manja.**
- **Sačuvajte ove upute.** Često ih pogledajte i koristite ih da obučite druge korisnike. Ako nekome posudite ovaj alat, posudite mu isto tako i ove upute.

SIGURNOST LASERA

- Lasersko zračenje korišteno u proizvodu je 2. razreda, maksimalne snage =1 mW i valne duljine 650 nm. Nemojte gledati izravno u lasersku zraku. Nepoštivanje ovih pravila može rezultirati ozbiljnim osobnim ozljedama.
- Nemojte gledati u zraku tijekom rada.
- Ne usmjerujte lasersku zraku izravno u oči drugih. Može doći do ozbiljnih povreda.
- Nemojte postavljati laseru položaj koji može prouzročiti da bilo tko namjerno ili nenamjerno gleda u lasersku traku.
- Nemojte koristiti optičke alate za gledanje laserske zrake.
- Nemojte raditi s laserom oko djece ili dopustiti djeci da rade s laserom.
- Ne pokušavajte samostalno popraviti laserski uređaj.
- Ne pokušavajte samostalno promijeniti nijedan dio laserskog uređaja.
- Sve popravke mora izvršiti samo proizvođač lasera ili ovlašteni zastupnik.

- Ne zamjenjujte laser s drugačijom vrstom.

PREOSTALE OPASNOSTI

Čak i kad je proizvod korišten kao što je prethodno opisano, još uvijek nije moguće potpuno isključiti ostale čimbenike opasnosti. Operater mora obratiti posebnu pozornost i dodatnu pažnju ovim točkama kako bi smanjio opasnost od ozbiljnih osobnih ozljeda.

- **Ozljede sluha** – Nosite odgovarajuću zaštitu za sluh i ograničite izloženost
- **Ozljede vida** – Nosite štitnike za oči ili naočale kada koristite proizvod.
- **Ozljede uzrokovane vibracijom** - Ograničite izlaganje vibracijama i slijedite upute o smanjivanju rizika u ovom priručniku.
- **Ozljede respiratornog sustava od prašine** stvorene radom proizvoda – Nosite prikladnu zaštitu ovisno o vrsti prašine.

⚠ UPOZORENJE

Određene vrste prašine koje nastaju tijekom poliranja, piljenja, brušenja, bušenja i drugih građevinskih aktivnosti sadrže kemijske proizvode koji bi mogli biti kancerogeni ili prouzročiti urođene anomalije ili probleme s fertilitetom. Evo nekoliko primjera tih kemijskih proizvoda:

- olovo, u bojama na bazi olova,
- kristalizirani silicij koji se nalazi u nekim vrstama cementa, ciglama i drugim građevinskim proizvodima,
- arsen i krom koji se nalaze u nekim drvim a koja su kemijski tretirana.

Opasnosti povezane s tim proizvodima variraju ovisno o učestalosti tih vrsta radova. Kako biste smanjili rizik od eksplozije tih kemijskih proizvoda, radite u dobro prozračenom prostoru, sa sigurnosnom opremom poput maski protiv prašine posebno osmišljenih za filtriranje mikroskopskih čestica.

PODACI O ELEKTRICI

Koristite samo 3-žine produžne kabele koji imaju 3 šiljka na utikaču uzemljenja i 3 priključka koji prihvaćaju utikač uređaja. Kada koristite električni alat na priličnoj udaljenosti od izvora napajanja, koristite dovoljno veliki produžni kabel koji može podnijeti struju koju alat izvlači. Premali produžni kabel izaziva pad napona u vodu, rezultirajući gubitkom snage i dovodeći do pregrijavanja motora.

Prije korištenja produžnog naponskog kabela provjerite ima li kabel olabavljenih ili izloženih žica ili istrošenu izolaciju.



⚠ UPOZORENJE

Držite produžni kabel izvan radnog područja. Postavite kabel tako da ne bude prignječen na kladi, alatima ili nekim drugim preprekama dok radite s električnim alatom. Nepoštivanje ovog pravila može rezultirati teškim tjelesnim ozljedama.

⚠ UPOZORENJE

Prije svake uporabe provjerite produžne kabele. Ako su oštećeni odmah ih zamijenite. Nikada nemojte koristiti alat s oštećenim kablom budući da dodirivanje oštećenog područja može izazvati strujni udar dovodeći do ozbiljnih ozljeda.

ELEKTRIČNI PRIKLJUČAK

Ovaj uređaj pogonjen je ugrađenim preciznim električnim motorom. Treba biti priključen na napajanje koje je od 220~240V, samo AC (uobičajena struja u kućanstvu), 50 Hz. Ne radite s ovim uređajem na istosmjernoj struji (DC). Značajni pad napona uzrokuje gubitak snage i pregrijavanje motora. Ako uređaj ne radi kad je uključen u utičnicu, provjerite napajanje.

BRZINA I OŽIČENJE

Ova brzina nije konstantna i smanjuje se pod opterećenjem ili uz smanjenje napona. Za napon, ožičenje u trgovini je važno radi konjskih snaga motora. Vod namijenjen samo za rasvjetu ne može pravilno nositi motor električnog alata. Žica koja je dovoljno teška za kratku udaljenost bit će prelagana za veće udaljenosti. Vod koji podržava jedan električni alat možda ne bude u mogućnosti podržati dva ili tri alata.

UPUTE ZA UZEMLENJE

U slučaju kvara ili pada napona uzemljenje omogućuje put zadnjeg otpora električne struje radi smanjenja opasnosti od strujnog udara. Ovaj proizvod opremljen je s električnim kablom koji ima opremu za uzemljenje i utikač za uzemljenje. Utikač mora biti umetnut u odgovarajuću utičnicu koja je pravilno instalirana i uzemljena u skladu s lokalnim propisima i uredbama.

Nemojte modifi cirati isporučeni utikač. Ako ne odgovara utičnica, neka pravilnu utičnicu instalira kvalificirani električar. Nepravilno spajanje vodiča za uzemljenje opreme može stvoriti rizik od strujnog udara. Izolirani vodič zelene boje, sa ili bez žutih pruga je vodič koji služi za uzemljenje opreme. Ako je potrebno zamijeniti električni kabel ili utikač, nemojte spajati vodič za uzemljenje opreme na kontakt pod naponom.

Odmah popravite ili zamijenite oštećeni ili istrošeni kabel.

PREPORUČENA DODATNA OPREMA**⚠ UPOZORENJE**

Koristite samo dodatnu opremu koja se preporučuje za ovaj proizvod.

Slijedite upute koje dolaze s dodatnom opremom. Korištenje nepravilne dodatne opreme može biti opasno.

- Svrdlo za bušenje
- Stezaljke za pridržavanje
- Stege stupne bušilice

⚠ UPOZORENJE

Koristite samo onu dodatnu opremu koja je osmišljena za korištenje s ovim proizvodom kako biste izbjegli ozljede zbog izbačenih polomljenih dijelova ili radnih komada.

Nemojte koristiti dodatnu opremu ako niste u potpunosti pročitali upute u korisničkom priručniku za tu opremu.

SADRŽAJ PAKIRANJA**RASPAKIRAVANJE I PROVJERA SADRŽAJA****⚠ UPOZORENJE**

Ako je bilo koji dio oštećen ili nedostaje, nemojte priključivati proizvod na napon sve dok ne zamijenite taj dio i dok sklop stroja nije potpun.

Pažljivo raspakirajte proizvod i sve njegove dijelove te ih usporedite s donjim popisom.

Za zaštitu proizvoda od vlage i korozije na površine stroja nanesen je zaštitni premaz. Uklonite taj premaz mekom krpom namočenom u kerozin ili WD-40.

⚠ UPOZORENJE

Kako biste izbjegli toksičnu reakciju, za čišćenje proizvoda nikada nemojte koristiti benzin, naftu, aceton, razrjeđivač boje ili slična hlapljiva otapala.

Na stol, stup i strojne površine nanosite sloj voska u pastu kako biste spriječili stvaranje hrđe. Čistom suhom krpom temeljito obrišite sve dijelove stroja.

Dio br.	Opis	Kol.
1	Sklop glave	1
2	Gornja ploha	1
3	Baza	1

4	Zupčasta letva	1
5	Sklop stupa	1
6	Prsten letve	1
7	Ručice za ulaganje materijala	3
8	Pužni prijenosnik	1
9	Ručica za blokiranje stola	1
10	Ručica za pokretanje stola	1
11	Vijci sa šesterokutnom glavom	3
12	Stezna glava	1
13	Ključ za steznu glavu	1
14	Inbus ključ od 4 mm	1
15	Inbus ključ od 3 mm	1

SKLAPANJE I PODEŠAVANJA

⚠ UPOZORENJE

Radi vlastite sigurnosti, nikada nemojte spajati utikač stroja u utičnicu s izvorom napona sve dok niste završili sve korake sklapanja stroja i pročitali i razumjeli sigurnosne i radne upute.

⚠ UPOZORENJE

Ovaj proizvod je teški električni alat i za njegovo sigurno podizanje i sklapanje je potrebno dvoje ili više ljudi.

SASTAVLJANJE STUPA I POSTOLJA STROJA

Pogledajte sliku 5.

1. Postavite postolje na ravnu i stabilnu površinu.
2. Poravnajte provrte za vijke u sklopu stupa s provrtima za vijke u postolju stroja.
3. Postavite po jedan vijak sa šesterokutnom glavom u svaki provrt.
4. Ključem čvrsto zategnite sve vijke.

MONTAŽA STOLA NA SKLOP STUPA

Pogledajte slike 6 - 10.

1. Umetnite ručicu za fiksiranje nosača stola u navijeni provrt na stražnjoj strani nosača stola.
NAPOMENA: Montirajte ručku s lijeva na desno, tako da prvo ulazi u onu stranu bez navoja u provrtu nosača stola.
2. Umetnite pužni prijenosnik kroz otvor za ručicu za pokretanje stola u nosaču stola. Pužni prijenosnik mora ući u zahvat s unutarnjim zupčanikom.
NAPOMENA: Nemojte uklanjati mazivo s pužnog prijenosnika.
3. Umetnite zupčastu letvu kroz otvor u nosaču stola tako da su zubi letve okrenuti prema van, a duži,

ravni dio prema gore. Pužni prijenosnik mora zahvatiti zupčastu letvu.

4. Koristeći obje ruke gurnite čitav stol i letvu na stup sve dok donji dio letve ne uđe u naglavak do stupa.
5. Zategnite ručicu za blokiranje nosača stola kako biste fiksirali sklop stola za stup stroja.
NAPOMENA: Nemojte prejako zategnuti.
6. Gurnite prsten letve s konusnom stranom okrenutom prema dolje preko stupa sve dok nakošena strana prstena ne uđe u konusni kraj letve.
7. Pomoću inbus ključa zategnite zatični vijak za fiksiranje u naglavku. Nemojte prejako zategnuti zatični vijak kako ne biste oštetili stup ili naglavak.
NAPOMENA: Stol bi se mora moći kretati s jedne na drugu stranu.
8. Montirajte ručku za pokretanje stola na kraj pužnog prijenosnika tako da se ravna strana osovine poravnava sa zatičnim vijkom.
9. Pomoću inbus ključa zategnite zatični vijak za fiksiranje.

MONTAŽA GLAVE

Pogledajte sliku 11.

⚠ UPOZORENJE

Glava stupne bušilice je teška i potrebno je dvije ili više osoba da na siguran način sklope glavu stupne bušilice na stup stroja.

1. Namjestite glavu stroja na stup pomoću stezne glave iznad stola.
NAPOMENA: Proizvod je težak. Ako trebate, tražite pomoć.
2. Pomaknite glavu stroja prema dolje koliko god je moguće. Poravnajte sklop stola s postoljem i potom pomoću inbus ključa zategnite dva zatična vijka glave.

MONTAŽA RUČICA ZA ULAGANJE

Pogledajte sliku 12.

1. Vijcima pričvrstite ručice za ulaganje materijala u provrte s navojima u sklopu glavine.

MONTAŽA STEZNE GLAVE

Pogledajte slike 13 - 15.

⚠ UPOZORENJE

Prije spajanja stezne glave na glavu stupne bušilice očistite sve površine u dodiru krpom natopljenom proizvodom koji nije na bazi benzina. S ovih dijelova potrebno je ukloniti sve masti i ulja korištena prilikom pakiranja ovih dijelova, u suprotnom spoj stezne glava može olabaviti za vrijeme rada.

1. Čistom krpom i bezalkoholnim sredstvom za čišćenje očistite konični otvor u steznoj glavi. Temeljito obrišite sve ostatke ulja, prljavštine ili masnoće.
2. Na gore opisan način očistite i konične površine na

radnom vretenu.

NAPOMENA: Na površini tih dijelova ne smije ostati zalijepljenih čestica. Najmanji komadić prašine ili ulja koji ostane na tim površinama će onemogućiti ispravan dosjed stezne glave. Ovo će uzrokovati njihanje stezne glave i svrdla.

3. Namjestite steznu glavu na radno vreteno. Stezna glava mora biti potpuno otvorena kako bi se izbjeglo oštećivanje čeljusti.
4. Odblokirajte blokadu nosača stola i odmaknite stol od dna stezne glave.
5. Umetnite steznu glavu na vreteno cijelo vrijeme gurajući prema gore.
6. Postavite komad otpadnog drveta preko stezne glave kako biste je zaštitili te čekićem ili gumenim maljem udarite nekoliko puta po tom komadu dok stezna glava ne sjedne na mjesto.

▲ OPREZ

Rizik od oštećenja imovine. Kako ne biste oštetili steznu glavu, nikada je nemojte pokušati namjestiti na vreteno pomoću metalnog čekića.

SKIDANJE STEZNE GLAVE

1. Okrenite ručice za ulaganje kako biste spustili steznu glavu u njen najniži položaj.
 2. Postavite izvlakač kugličnog zgloba, tzv. "radapciger" (nije prikazan) iznad stezne glave i lagano je udarite čekićem ili gumenim maljem kako bi ona spala s radnog vretena.
- NAPOMENA:** Nikada nemojte čekićem ili maljem izravno udarati po steznoj glavi.

NAPOMENA: Kako biste izbjegli moguća oštećenja stezne glave prvo do kraja podignite sve čeljusti i budite spremni uhvatiti steznu glavu pri njenom padu.

MONTAŽA STUPNE BUŠILICE NA RADNU POVRŠINU

Pogledajte sliku 16.

Ako se proizvod namjerava koristiti na stalnoj lokaciji, fiksirajte ga za radnu klupe ili drugu stabilnu površinu.

Ako ćete proizvod koristiti kao pokretni alat, fiksirate ga na montažnu ploču koja se lako može stegnuti za radni stol ili neku drugu stabilnu površinu. Montažna ploča mora biti dovoljno velika da se spriječi prevrtanje proizvoda za vrijeme rada. Preporučuje se šperploča ili iverica debljine 19 mm (3/4").

1. Koristeći provrte u postolju stupne bušilice označite mjesta za provrte na površini na koju želite montirati stroj.
2. Izbušite provrte u montažnoj površini.
3. Postavite stupnu bušilicu na montažnu površinu i poravnajte provrte u postolju stroja s provrtima koje ste izbušili u montažnoj površini.
4. Umetnite vijke (nisu uključeni) i čvrsto ih zategnite pomoću podložaka za fiksiranje i šesterokutnih matica (nisu uključeni).
Ako koristite vijke za drvo, provjerite jesu li dovoljno

dugi da prođu kroz provrte u postolju stroja i materijalu na koji montirate stupnu bušilicu. Ako koristite strojne vijke, provjerite jesu li dovoljno dugi da prođu kroz provrte u postolju stroja, provrte u materijalu na koji montirate stroj, te kroz podloške za fiksiranje i šesterokutne maticе.

NAPOMENA: Sve vijke postavljate s gornje strane. Podloške i šesterokutne maticе montirajte s donje strane stola.

Nakon što montirate stroj na stabilnu površinu:

1. Provjerite vibracije stroja s UKLJUČENIM prekidačem motora.
2. Prema potrebi podesite i ponovno zategnite spojne elemente.
3. Provjerite može li se sklop stola glatko kretati gore-dolje po stupu stroja.
4. Provjerite da li se osovina radnog vretena okreće bez smetnji.

POHRANA KLJUČA ZA STEZNU GLAVU

Pogledajte sliku 17.

Mjesto za pohranu ključa za steznu glavu nalazi se na desnoj strani stroja.

KOSO BUŠENJE

Pogledajte sliku 18.

NAPOMENA: Pomoću skale nagiba moguće je izmjeriti približne kutove nagiba. Ako je potrebna veća preciznost, za pozicioniranje stola koristite kutnik ili neki drugi mjerni alat. Za korištenje mjerne skale nagiba:

1. Ključem od 10 mm ili ključem podesive veličine okrenite maticu na zapornom klinu u smjeru kazaljke na satu kako biste otpustili klin iz držača u stolu. Ovaj klin će vam biti potreban kada ćete postavljati stol natrag na položaj od 0 stupnjeva. Nemojte bacati ovaj element.
 2. Otpustite veliki vijak sa šesterokutnom glavom koji služi za blokiranje nagiba stola pomoću ključa od 17 mm ili ključa podesive veličine.
 3. Nagnite stol i poravnajte željenu mjeru kuta na nultu liniju na strani suprotnoj od skale.
 4. Zategnite vijak za fiksiranje nagiba stola
 5. Za vraćanje stola u njegov originalni položaj otpustite vijak za fiksiranje nagiba stola. Vratite stol u položaj 0°.
 6. Vratite maticu na zapornom klinu na vanjski kraj navoja. Gumenim čekićem lagano udarite zaporni klin sve dok on ne sjedne u odgovarajući otvor za klin na nosaču stola. Rukom zategnite maticu.
- NAPOMENA:** Zbog jasnoće prikaza s crteža je uklonjen stol.

▲ UPOZORENJE

Kako biste spriječili mogućnost tjelesnih ozljeda, prilikom izvođenja podešavanja na stroju uvijek prethodno isključite utikač stroja iz izvora napajanja.

VREteno / SPIRALNA FLEKSIJSKA OPRUGA

Pogledajte sliku 20.

Okrećite ručice za ulaganje u smjeru suprotnom od smjera kazaljke na satu kako biste spustili radno vreteno u njegov najniži položaj. Držite steznu glavu i pomičite je naprijed-natrag. Ako pritom primijetite prevelik slobodni hod, nastavite sa sljedećim podešavanjima:

1. Pomoću ključa od 10 mm otpustite osovinske matice za fiksiranje na desnoj strani proizvoda.
2. Pomoću odvijača s ravnim vrhom okrenite vijak u smjeru odvijača na satu kako biste uklonili zazor stezne glave, ali tako da ne smetate kretanju radnog vretena prema gore. (Mali slobodni hod u radnom vretenu je normalan.)
3. Zategnite osovinsku maticu za fiksiranje.

POVRATNA SPIRALNA FLEKSIJSKA OPRUGA

Pogledajte sliku 21.

Ako je povrat fleksijske opruge prebrz ili prespor, potrebno je podesiti povratnu fleksijsku oprugu. Ova opruga se nalazi na lijevoj strani glave stupne bušilice.

1. Spustite stol radi bolje preglednosti.
2. Postavite odvijač u donji utor poklopca opruge. Držite odvijač nam mjesto dok istovremeno pomoću ključa od 10 mm otpuštate i uklanjate samo vanjsku protumaticu.
3. Dok je odvijač još uvijek u utoru otpustite unutarnju maticu toliko da se utor makne s trna na glavi stupne bušilice.

NAPOMENA: Nemojte uklanjati ovu unutarnju maticu, jer će se opruga nekontrolirano i naglo odmotati.

4. Pažljivo vratite poklopac opruge okrećući ga odvijačem u smjeru suprotnom od smjera kazaljke na satu, ulazeći u drugi utor.
5. Spustite fleksijsku oprugu u najniži položaj okrećući ručicu za ulaganje u smjeru suprotnom od smjera kazaljke na satu dok istovremeno držite poklopac opruge.
6. Ako se opruga pomiče gore-dolje na zadovoljavajući način, ključem zategnite unutarnju maticu za poklopac opruge i poklopac opruge. Ako još uvijek nije dovoljno zategnuto, ponovite korake 3 do 5. Ako je prezategnuto, obrnite postupke u koracima 4 i 5.
7. Ključem zategnite vanjsku maticu na unutarnju.

NAPOMENA: Nemojte prejako zategnuti, jer time sprečavate kretanje opruge.

NAPETOST REMENA

Pogledajte sliku 22.

1. Otvorite poklopac remenice.
2. Kako biste omogućili podešavanje napetosti remena okrenite gumb za fiksiranu napetosti remena na desnoj strani glave stupne bušilice u smjeru suprotnom od smjera kazaljke na satu.
3. Kako biste opustili napetost remena, povucite motor prema prednjoj strani stroja.
4. Namjestite remen na odgovarajući stupanj remenjače za željenu brzinu.
5. Gurajte motor od glave stupne bušilice sve dok se

remen dovoljno ne zategne.

NAPOMENA: Napetost remena je ispravna ako se remen otkloni za otprilike 13 mm (1/2") kada ga pritisnete na sredini.

6. Kako biste učvrstili motor u tom položaju, zategnite gumb za fiksiranje napetosti remena. Zatvorite poklopca remenjače.

PROVJERA/PODEŠAVANJE PORAVNANJA LASERA

Proizvod je opremljen značajkom Laser Trac®.

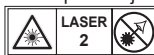
Laserske zrake omogućavaju vam pregled putanje svrdla na radnom komadu prije samog početka bušenja.

⚠ UPOZORENJE

Izbjegavajte izravan kontakt očima

Lasersko svjetlo se pali kada se uključi laserska vodilica. Izbjegavajte izravan kontakt očima Prije izvođenja bilo kakvih podešavanja obavezno uvijek prvo isključite stroj s izvora napajanja.

- Laserski pokazivač nije igračka i ne smije dospjeti u ruke djece. Uporaba ovog uređaja u pogrešne svrhe može dovesti do nepovratnih ozljeda očiju.
- Zabranjeno je svako podešavanje u svrhu povećanja snage lasera.
- Prilikom korištenja laserskog pokazivača nemojte upirati lasersku zraku u druge osobe i/ili reflektirajuće površine. Ozljede očiju može prouzročiti čak i laserska zraka slabijeg intenziteta. Nemojte gledati izravno u lasersku zraku.
- Laserski pokazivač nema komponenti koje je potrebno servisirati. Nikada nemojte otvarati kućište lasera kako bi vršili popravke ili podešavanja.
- Oznake upozorenja za laser:



- Nemojte uklanjati niti brisati oznake upozorenja. Uklanjanje oznaka upozorenja povećava rizik od izlaganja radijaciji.
- OPREZ: Korištenje kontroli ili podešenja, ili postupaka performansi drugačijih od ovdje navedenih može dovesti do opasnosti izlaganja zračenju.
- Nemojte pokušavati popraviti ili rastaviti laser. Ako nekvalificirana osoba pokuša vršiti popravke na ovom laserskom proizvodu, može se ozbiljno ozlijediti. Sve popravke na ovom laserskom proizvodu mora izvršiti ovlašteno osoblje servisnog centra.
- OPREZ: Korištenje optičkih instrumenata s ovim proizvodom povećava opasnost od ozljeda očiju.

⚠ UPOZORENJE

Nemojte koristiti zatamnjene naočale kako biste mogli povećati lasersko svjetlo. Zatamnjene naočale će smanjiti ukupnu vidljivost pri radu i smetati pri normalnom radu alata.

⚠ UPOZORENJE

Radijacija lasera. Nikada nemojte usmjeravati zraku na radni komad s reflektirajućom površinom. Reflektirajući sjajni listovi metala ili slične reflektirajuće površine se ne preporučuju za upotrebu s laserom. Reflektirajuća površina mogla bi reflektirati zraku natrag u rukovatelja ili druge osobe.

PODEŠAVANJE LASERSKIH LINIJA

Pogledajte sliku 23.

Provjerite poravnanje lasera kako biste se uvjerali da je križanje laserskih linija točno na mjestu na kojem svrdlo dolazi u dodir s radnim komadom. Ako to nije tako, potrebno je izvršiti podešavanje laserskih linija pomoću gumba za podešavanje lasera smještenih na suprotnoj strani sklopa glave.

1. Označite oznaku "X" na komadu otpadnog drveta.
2. *Umetnite malo svrdlo u steznu glavu i poravnajte vrh svrdla s križanjem linija na oznaci "X".*
3. Fiksirajte ploču za stol.
4. Uključite vodilicu lasera i potvrdite da su laserske linije poravnate s oznakom "X" na radnom komadu.
5. Ako laserske linije nisu poravnate, pomoću inbus ključa otpustite zatične vijke s obje strane kućišta lasera i okrećite gumb za podešavanje lasera sve dok se linije ne prekrize u središtu oznake "X". Ponovno zategnite zatične vijke.

RAD**⚠ UPOZORENJE**

Opuštanje u radu s alatom dovodi vas do nepažljivog rada. Uvijek imajte na umu da je dovoljna samo jedna sekunda nepažnje kako biste se teško ozlijedili.

⚠ UPOZORENJE

Uvijek tijekom rada s alatom nosite zaštitne naočale i zaštitne naočale s bočnim štitnicima. Nepoštivanje ovog upozorenja može dovesti do prskanja stranih tijela u vaše oči i prouzročiti teške ozljede oka.

⚠ UPOZORENJE

Upotrebjavajte samo dijelove alata i dodatnu opremu koje je preporučio proizvođač. Uporaba dijelova i dodatne opreme koje nije preporučio proizvođač može dovesti do teških ozljeda.

⚠ UPOZORENJE

Kako biste izbjegli moguće ozljede, uvijek držite štitnik zatvoren i na mjestu dok alat radi.

MIJENJANJE BRZINE I ZAMJENA REMENA

Pogledajte sliku 24.

Brzina vretena određena je smještajem remena na remenicama u sklopu glave stroja. Dijagram brzina na poklopcu u sklopu glave stroja prikazuje preporučene brzine i konfiguracije remenica za svaku radnju bušenja.

Za promjenu konfiguracije remenica:

1. Podignite poklopac remenica
2. Otpustite vijak za napetost remena.
3. Skinite remen.
4. Ponovno postavite remen na remenicu prema dijagramu brzina.
5. Zategnite vijak za napetost remena.

NAPOMENA: Pogledajte odjeljak "Preporučena brzina bušenja" za preporuke o odgovarajućim veličinama svrdla i brzinama bušenja.

PREPORUČENA BRZINA BUŠENJA

BRZINA BUŠENJA (O/MIN)			
Promjer svrdla (Inča)	Materijal		
	Drvo Plastika	Aluminij Cink Mjed	Željezo Čelik
1/16	2430	2430	2430
1/8			1800
3/16	1800	1800	1300
1/4			800
5/16			800
3/8	1800	1300	800
1/2	1800	800	510

Sklopka za Uklj./isklj. (ON/OFF)

Pogledajte sliku 25.

Za uključivanje alata:

1. Pritisnite gumb za UKLJUČIVANJE (I).

Za isključivanje alata:

1. Pritisnite gumb za ISKLJUČIVANJE (O).

⚠ UPOZORENJE

Uvijek provjerite: radni komad ne smije biti u dodiru sa svrdlom prije pritiskanja prekidača za paljenje proizvoda. Nepoštivanje ovog upozorenja može uzrokovati da izradak bude izbačen unatrag prema rukovatelju i dovesti do ozbiljnih osobnih ozljeda.

POSTAVLJANJE I SKIDANJE SVRDLA

Pogledajte sliku 26.

1. Iskopčajte proizvod s izvora napajanja.
2. Otvorite ili zatvorite stezne čeljusti do točke u kojoj su neznatno više otvorene od veličine promjera svrdla koje namjeravate koristiti.
3. Umetnite svrdlo u steznu glavu do pune duljine čeljusti.

⚠ UPOZORENJE

Nemojte umetati svrdlo u čeljusti stezne glave i pritezati na način prikazan na slici 19. Ovo može uzrokovati odbijanje svrdla od proizvoda, što može dovesti do ozbiljnih tjelesnih ozljeda ili oštećenja stezne glave.

4. Ključem za steznu glavu čvrsto stegnite čeljusti stezne glave. Nemojte koristiti ključ za pritezanje ili otpuštanje steznih čeljusti.
5. Uklonite ključ za steznu glavu.
6. Za skidanje svrdla, ponovite gornje postupke obrnutim redoslijedom.

⚠ UPOZORENJE

Kako biste izbjegli nesreće ili ozljede zbog izbacivanja ključa iz stezne glave prilikom uključivanja stroja, koristite isključivo ključ za steznu glavu koji se sam izbacuje iz glave, isporučen s ovom stupnom bušilicom. Uvijek izvršite dvostruku provjeru i uklonite ključ za steznu glavu prije nego što uključite stroj. Kada ga ne koristite, pohranite ključ za steznu glavu na za to predviđeno mjesto na stroju (držač za ključ).

BUŠENJE NA ODREĐENU DUBINU

Bušenje slijepog provrta (provrta koji ne ide kroz cijeli radni komad) na određenu dubinu može se izvesti na dva načina:

Metoda radnog komada

Pogledajte sliku 27.

1. Označite dubinu provrta na bočnoj strani radnog komada.
2. S prekidačem u ISKLJUČENOM položaju spustite svrdlo do radnog komada sve dok se vrh svrdla ne poravnava s oznakom.
3. Držite ručicu za ulaganje u ovom položaju.
4. Zavrtite donju maticu prema dolje kako bi došla u dodir s graničnom stopicom dubine na glavni stroja.
5. Zavrtite gornju maticu prema dolje i zategnite je na donju maticu.
6. Svrdlo će se sada zaustaviti nakon postizanja udaljenosti označene na radnom komadu.

Metoda skale dubine

Pogledajte sliku 28.

NAPOMENA: Sa steznom glavom u gornjem položaju, vrh svrdla mora biti malo iznad površine radnog komada.

1. S prekidačem u položaju ISKLJUČENO okrećite ručicu za ulaganje sve dok pokazivač ne pokaže na željenu dubinu reza na mjernoj skali dubine, potom držite ručicu u tom položaju.
2. Zavrtite donju maticu prema dolje kako bi došla u dodir s graničnom stopicom dubine.
3. Zavrtite gornju maticu i zategnite je na donju maticu.
4. Svrdlo će se sada zaustaviti nakon postizanja udaljenosti odabrane na skali dubine.

Bušenje provrta

1. Pomoću probijača ili oštrog čavla označite mjesto na radnom komadu na kojem želite bušiti provrt.
2. Uključite vodilicu lasera i poravnajte laserske linije s oznakom na radnom komadu.
3. Uključite stroj na prekidaču za paljenje i lagano povucite ručice za ulaganje prema dolje, s pritiskom dovoljnim da svrdlo reže materijal.

Prebrzo ulaganje materijala može uzrokovati proklizavanje svrdla te kidanje materijala ili svrdla.

Prilikom bušenja metala možda će biti potrebno podmazati svrdlo uljem za bušenje metala kako bi se spriječio pregrijavanje svrdla.

ZA VAŠU ZAŠTITU

⚠ UPOZORENJE

Nemojte nositi labavu odjeću, rukavice, kravate ili nakit koji mogu biti uvučeni u alat za vrijeme rada. Dugu kosu zavežite.

1. Ako bilo je bilo koji dio vašeg stroja oštećen, slomljen, u kvaru ili nedostaje, odmah zaustavite rad sve dok se taj dio ne popravi ili zamijeni.
2. Nikada nemojte stavljati prste u položaj u kojem oni mogu doći u dodir sa svrdlom ili drugim reznim alatom. Radni komad se može iznenadno pomaknuti, ili vaša ruka može skliznuti.
3. Kako biste izbjegli sklizanje radnog komada iz ruku, izbacivanje ili vrtnju radnog komada uzrokovanu alatom te kidanje radnog komada, obradak uvijek poduprite na sljedeći način:
 - Pomoćni materijal (koji se postavlja ispod radnog komada) postavite tako da dodiruje lijevu stranu stupa.
 - Kada god je to moguće, radni komad namjestite tako da dodiruje lijevu stranu stupa. Ako je radni komad prekratak ili ako je radni stol nagnut, čvrsto stegnite radni komad za stol pomoću utora u stolu.
 - Kada koristite stegu stupne bušilice (nije uključena), uvijek je pričvrstite za stol.
 - Nikada nemojte raditi tako da radni komad držite rukama, umjesto da ga poduprete na stolu, osim kada polirate ili brusite radni komad.
 - Prije rada stupnom bušilicom čvrsto fiksirajte glavu stroja i nosač za stup stroja, konzolu stola na nosač i stol na konzolu.
 - Nikada nemojte pomicati glavu ili stol stroja dok stroj radi.

- Prije započinjanja bilo kakvog rada strojem uključite prekidač i provjerite je li svrdlo ili drugi rezni alat dobro pričvršćeno (nema njihovih reznog alata ili vibracija).
 - Ako radni komad prelazi preko ruba stola toliko da će pasti ako se ne pridržava, pritegnite ga za stol ili osigurajte pravilnu potporu radnog komada.
 - Za neuobičajene postupke koristite stezaljke kako biste na odgovarajući način mogli držati, voditi i pozicionirati radni komad.
 - Koristite brzinu radnog vretena koja je preporučena za određeni postupak i materijal obratka. Za podatak o brzini bušenja provjerite ploču s unutarnje strane poklopca remenice ili pogledajte odjeljak "Preporučena brzina bušenja". Za dodatnu opremu pogledajte upute za tu određenu opremu.
4. Nikada se nemojte penjati na stol stupne bušilice: stol može puknuti ili srušiti čitav stroj na vas.
 5. ISKLJUČITE napajanje na utičnici kada ostavljate proizvod bez nadzora.
 6. Kako biste izbjegli ozljede od izbačenih radnih komada ili alata, nemojte provoditi raspoređivanje, skapanje ili postavljanje radnih komada na radnom stolu dok rezni alat radi.

POZICIONIRANJE STOLA I RADNOG KOMADA

Pogledajte sliku 29-30.

1. Fiksirajte stol na stup tako da je vrh svrdla tik iznad površine radnog komada.
2. Uvijek postavite pomoćni materijal (otpadni komad drveta) na stol ispod radnog komada. Ovo će spriječiti rascjepplivanje ili oštećivanje ruba provrta po izlasku svrdla na donjoj strani radnog komada. Kako biste spriječili vrtnju pomoćnog materijala, naslonite ga na lijevu stranu stupa.
3. Upotrijebite odgovarajuća potporna sredstva za obradak koji prelazi preko ruba.

⚠ UPOZORENJE

Kako biste izbjegli izbacivanje radnog komada ili pomoćnog materijala za vrijeme bušenja, MORATE namjestiti radni komad tako da se naslanja na lijevu stranu stupa. Ako radni komad ili pomoćni materijal nisu dovoljne duljine da dosegnu stup stroja, pritegnite ih za radni stol kako biste fiksirali radni komad. Ako pravilno ne učvrstite radni komad postoji opasnost od ozbiljnih tjelesnih ozljeda.

⚠ UPOZORENJE

Stega stupne bušilice mora se pritegnuti za stol kako bi se izbjegle ozljede zbog vrtnje radnog komada, ili zbog izbačenih dijelova oštećene stega ili svrdla.

FIKSIRANJE MJESTA BUŠENJA

1. Pomoću probijača ili oštrog čavla označite mjesto na radnom komadu na kojem ćete bušiti provrt.

2. Prije UKLJUČIVANJA stupne bušilice uključite vodilicu lasera i poravnajte laserske linije (x) s oznakom na radnom komadu.

NAGINJANJE STOLA

Pogledajte sliku 31.

NAPOMENA: Nosač stola ima prethodno izbušen provrt u koji je umetnut zaporni klin koji služi za blokiranje stola na kutu od 0°.

1. Ključem od 10 mm ili ključem podesive veličine okrenite maticu na zapornom klinu u smjeru kazaljke na satu kako biste otpustili klin iz držača u stolu. Ovaj klin će vam biti potreban kada ćete postavljati stol natrag na položaj od 0 stupnjeva.
2. Otpustite veliki vijak sa šesterokutnom glavom koji služi za blokiranje nagiba stola pomoću ključa od 17 mm ili ključa podesive veličine.

⚠ UPOZORENJE

Kako biste spriječili tjelesne ozljede, čvrsto držite sklop stola i konzole stola kako se ne bi njihali ili nagnuli.

3. Nagnite stol i poravnajte željenu mjeru kuta na nultu liniju na strani suprotnoj od skale.
4. Zategnite vijak za fiksiranje nagiba stola
5. Za vraćanje stola u njegov originalni položaj otpustite vijak za fiksiranje nagiba stola. Vratite stol u položaj 0°.
6. Vratite maticu na zapornom klinu na vanjski kraj navoja. Lagano udarajte zaporni klin sve dok on ne sjedne u odgovarajući otvor za klin na nosaču stola. Rukom zategnite maticu.

⚠ UPOZORENJE

Kako biste izbjegli ozljede zbog vrtnje radnog komada ili pucanja alata, prije pokretanja stupne bušilice uvijek čvrsto pritegnite radni komad i poduprite ga pomoćnim materijalom na siguran način.

ULAGANJE

1. Povucite ručice za ulaganje prema dolje, s pritiskom dovoljnim da svrdlo reže materijal.
2. Presporo ulaganje može uzrokovati paljenje svrdla. Prebrzo ulaganje može uzrokovati proklizavanje svrdla te kidanje materijala ili svrdla.
3. Prilikom bušenja metala potrebno je podmazati svrdlo uljem kako bi se izbjeglo gorenje svrdla ili materijala.

ODRŽAVANJE

⚠ UPOZORENJE

Radi vlastite sigurnosti, prije održavanja ili podmazivanja vaše stupne bušilice uvijek prvo ISKLJUČITE prekidač na stroju i isključite utikač stroja iz utičnice izvora napajanja.

Pomoću usisavača za prašinu ili zračnog kompresora redovito čistite piljevinu ili krhotine metala koje se nakupljaju u motoru, kućištu remenica, na stolu i radnoj površini. Uvijek nosite zaštitne naočale tijekom rada s alatom.

⚠ UPOZORENJE

Kako biste izbjegli opasnost od strujnog udara ili požara, provjeravajte stanje naponskog kabela: ako je kabel oštećen, odmah ga mora zamijeniti kvalificirani električar ili servisni tehničar

PODMAZIVANJE

Svi kuglični ležajevi stupne bušilice su tvornički podmazani. Nije potrebno daljnje podmazivanje tih ležajeva.

Periodično podmazujte zupčastu letvu i zupčanik, mehanizam za podizanje stola te vreteno (zube) fleksijske opruge. Svaka tri mjeseca spustite radno vreteno i umjereno podmažite rukavce vretena.

TRANSPORT I SKLADIŠTENJE

Pogledajte sliku 32.

Prilikom prevoženja proizvoda, izvucite kabel električnog napajanja iz utičnice i uvjerite se da su svi dijelovi dobro pričvršćeni. Prilikom dizanja proizvoda pogledajte Sl. 32 kako biste pronašli područja prihvata.

Skladištite proizvod na dobro osiguranom mjestu koje nije pristupačno djeci.

Očistite proizvod korištenjem četke i usisavača prije spremanja.

SIMBOL



Sigurnosno upozorenje



Europska oznaka sukladnosti



Britanska oznaka sukladnosti



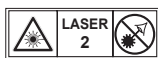
Ukrajinska oznaka sukladnosti



EurAsian znak konformnosti



Molimo vas da prije pokretanja uređaja pažljivo pročitate upute.



Radijacija lasera.
Nemojte gledati u zraku.
Proizvod 2 laserskog razreda



Nemojte izlagati kiši ili koristiti na vlažnim lokacijama.



Nosite zaštitu za sluh



Uvijek nosite zaštitna sredstva za oči.



Kapacitet stezne glave



Hod vretena



Poravnavanje bušenja



Promjer svrdla (u inčima)



Drvo



Aluminij



Cink



Mjedi

Željezo

Čelik



Otpadnu električnu i elektroničku opremu nemojte odlagati kao nesortirani komunalni otpad. Otpadna električna i elektronička oprema mora se prikupljati odvojeno. Otpadni izvori svjetla moraju se ukloniti iz opreme. Od lokalnih nadležnih tijela ili trgovca zatražite savjete koji se odnose na recikliranje i mjesto za skupljanje otpada. U skladu s lokalnim propisima, trgovci u maloprodaji imaju obvezu besplatnog preuzimanja električne i elektroničke opreme. Vaš doprinos ponovnoj upotrebi i recikliranju otpadne električne i elektroničke opreme pomaže u smanjenju potrebe za sirovinama. Otpadna električna i elektronička oprema sadrži vrijedne materijale i one koje je moguće reciklirati, koji mogu negativno utjecati na okoliš i ljudsko zdravlje, ako se ne uklanja na način ekološki sukladan s okolišem. Izbrišite osobne podatke iz otpadne opreme, ako ih ima.

RJEŠAVANJE PROBLEMA

Problem	Mogući uzrok	Rješenje
Bučni rad.	<ol style="list-style-type: none"> 1. Nepravilna napetost remena. 2. Suho radno vreteno. 3. Remenica vretena je previše opuštena. 4. Motorna remenica je previše opuštena. 	<ol style="list-style-type: none"> 1. Podesite napetost. Pogledajte odjeljak "Napetost remena". 2. Podmažite vreteno. Pogledajte odjeljak "Podmazivanje". 3. Provjerite zategnutost sigurnosne matice na remenici i zategnite prema potrebi. 4. Zategnite zatični vijak u remenici motora.
Svrdo se pali.	<ol style="list-style-type: none"> 1. Nepravilna brzina. 2. Strugotine ne izlaze iz provrta. 3. Svrdo je tupo. 4. Brzina ulaganja je premala. 5. Nije podmazano. 	<ol style="list-style-type: none"> 1. Promijenite brzinu. Pogledajte odjeljak "Promjena brzine i zamjena remena". 2. Često uvlačite svrdlo kako biste očistili strugotine. 3. Naoštrite svrdlo ili ga zamijenite novim. 4. Dovoljna brzina ulaganja - svrdlu omogućava rezanje. 5. Podmažite svrdlo. Pogledajte odjeljak "Ulaganje".
Gubitak točke bušenja - izbušeni provrt nije okruglog presjeka.	<ol style="list-style-type: none"> 1. Tvrdi čvorovi u drvetu ili duljine putanja rezanja i/ili kutovi nisu jednaki. 2. Svrdo je savijeno. 	<ol style="list-style-type: none"> 1. Pravilno naoštrite svrdlo. 2. Zamijenite svrdlo.
Drvo se rascjepkuje na donjoj strani provrta.	<ol style="list-style-type: none"> 1. Nema pomoćnog materijala ispod radnog komada. 	<ol style="list-style-type: none"> 1. Koristite pomoćni materijal za potporu. Pogledajte odjeljak "Rad stroja".
Radni komad je istrgnut iz ruke.	<ol style="list-style-type: none"> 1. Radni komad nije poduprt ili stegnut na pravilan način. 	<ol style="list-style-type: none"> 1. Postavite potporu ispod radnog komada ili ga pritegnite i fiksirajte. Pogledajte odjeljak "Rad stroja".
Svrdo se savija u radnom komadu.	<ol style="list-style-type: none"> 1. Svrdo se zaglavljuje u radnom komadu ili je prevelik pritisak ulaganja. 2. Nepravilna napetost remena. 	<ol style="list-style-type: none"> 1. Postavite potporu ispod radnog komada ili ga pritegnite i fiksirajte. Pogledajte odjeljak "Rad stroja". 2. Podesite napetost remena. Pogledajte odjeljak "Napetost remena".
Prečjerano njihanje ili trošenje svrdla.	<ol style="list-style-type: none"> 1. Svrdo je savijeno. 2. Istrošeni ležajevi. 3. Svrdo nije pravilno postavljeno u steznu glavu. 4. Stezna glava nije pravilno montirana. 	<ol style="list-style-type: none"> 1. Koristite ravna svrdla. 2. Zamijenite ležajeve. 3. Pravilno postavite svrdlo. Pogledajte odjeljke "Rad stroja" i "Sklopanje i podešavanja". 4. Pravilno montirajte steznu glavu. Pogledajte odjeljak "Montaža stezne glave".
Opruga se vraća prebrzo ili presporo.	<ol style="list-style-type: none"> 1. Spiralna opruga nema pravilnu napetost. 	<ol style="list-style-type: none"> 1. Podesite napetost opruge. Pogledajte odjeljak "Spiralna fleksijska povratna opruga".
Stezna glava ne stoji pričvršćena na vreteno. Stezna glava ispada prilikom pokušaja montaže na vreteno.	<ol style="list-style-type: none"> 1. Priljavštine, masnoće ili ulja na konusnoj unutarnjoj površini stezne glave ili na konusnoj površini vretena. 	<ol style="list-style-type: none"> 1. Pomoću sredstva za čišćenje koje nije na bazi alkohola očistite konusnu površinu stezne glave i vretena i uklonite s njih svu priljavštinu, masnoću i ulje. Pogledajte odjeljak "Montaža stezne glave".

OPIS

1. Sklop glave
2. Miza
3. Podstavek
4. Zobata letev
5. Sklop stebra
6. Obroč zobate letve
7. Podajalne ročice
8. Polžno gonilo
9. Zaklepna ročica mize
10. Ročica za nastavljanje mizice
11. Vijaki s sest robo glavo
12. Pritezalnik
13. Ključ vpenjalne glave
14. 4-milimetrski imbus ključ
15. 3-milimetrski imbus ključ
16. Ploski izvijač
17. Nastavljivi ključ
18. 12-milimetrski izvijač
19. Kladivo ali gumijasto kladivce
20. Kotno kombinacijsko ravnilo
21. Kocka lesa
22. Motor
23. Laserska glava
24. Povratna tuljava/vzmet vretenca
25. Ogrodje vrtalne mize
26. Pokrov škripca
27. Stikalo za vklop/izklop
28. Lasersko stikalo
29. Zgornje varovalo
30. Luknja za pritrnitev
31. Varovalni vijak glave
32. Gumb za fiksiranje napetosti jermena
33. Nosilec za ključ vpenjalne glave
34. Škripec vretena
35. Škripec motorja
36. Podpora mize
37. Luknja ročice za vpenjalno glavo vrtalne mize
38. Podpora stebra
39. Nastavni vijak
40. Glava
41. Varovalni nastavni vijak glave
42. Navojne luknje
43. Sklop zvezdišča
44. Vreteno
45. Svornik x 2 (M12, ni priložen)
46. Kronska podložka x 4 (Dia. 12mm, ni priložena)
47. Gumijasta podložka x 2 (Dia. 12mm, ni priložena)
48. Široka podložka x 2 (Dia. 12mm, ni priložena)
49. Blokirna matica x 2 (M12, ni priložena)
50. Šestroba matica x 2 (M12, ni priložena)
51. Delovna površina
52. Stopnja nagiba
53. Varovalni vijak zajeralnega kota mize
54. Matica
55. Protimatica
56. Vijaki
57. Spodnja prednja reža
58. Pokrovček vzmeti
59. Zunanja blokirna matica
60. Notranja matica
61. Zareza
62. Izboklina
63. Čeljust pritezalnika
64. Sveder
65. Globina
66. Kazalnik skale globine
67. Merilo globine
68. Zgornja matica
69. Spodnja matica
70. Blokirno držalo globine
71. Obdelovanec

Namizni vrtnalik je zasnovan in izdelan za zagotavljanje najvišje ravni varnosti, učinkovitosti in zanesljivosti delovanja.

NAMEN UPORABE

Namizni vrtnalik se uporablja za vrtnanje lukenj v les, plastiko, aluminij in jeklo.

Orodje smejo uporabljati odrasle osebe, ki so podrobno seznanjene z navodili za uporabo in se zavedajo vseh tveganj in nevarnosti pri delu z orodjem.

Izdelek mora biti prvit v trdno in stabilno delovno podlago. Če podstavek ni trdno pritrjen, obstaja nevarnost, da se celoten izdelek med uporabo prevrne, zdrsne ali se premakne na podporni površini, kar poveča nevarnost za hude telesne poškodbe.

Namizni vrtnalik uporabljajte izključno v suhih pogojih z ustrezno razsvetljavo in zadostnim prezračevanjem.

Izdelek je namenjen za potrošniško uporabo in se sme uporabljati le tako, kot je opisano zgoraj in ne v druge namene.

SPLOŠNA VARNOSTNA NAVODILA ZA ELEKTRIČNA ORODJA

⚠ OPOZORILO

Preberite vsa varnostna opozorila, navodila, ilustracije in specifikacije, ki so priložene temu električnemu orodju. Če ne upoštevate opozoril in navodil, lahko pride do električnega udara, ognja in/ali hudih poškodb.

Vsa opozorila in vsa navodila shranite za bodočo referenco. Izraz »električno orodje« v opozorilih se nanaša na električno napajano (ožičeno) električno orodje ali baterijsko napajano (brezžično) električno orodje.

VARNOST NA DELOVNEM PROSTORU

- **Delovno območje naj bo čisto in dobro osvetljeno.** V neurejenih in temnih območjih se rade zgodijo nesreče.
- **Ne delajte z električnimi orodji v okolju, kjer je nevarnost eksplozije na primer v prisotnosti vnetljivih tekočin, plinov ali prahu.** Električna orodja proizvajajo iskre, ki lahko vnamejo prah ali hlape.
- **Med uporabo električnega orodja v bližino ne pustite otrok in drugih ljudi.** Zaradi zmanjšane koncentracije lahko izgubite nadzor.

ELEKTRIČNA VARNOST

- **Vtiči električnih orodij se morajo prilegati vtičnicam.** Vtiča nikoli in na noben način ne smete spreminjati. Z ozemljenimi električnimi orodji ne uporabljajte adapterskih vtičev. Nespremenjeni vtiči in ustrezne vtičnice zmanjšajo tveganje električnega udara.

- **Izogibajte se telesnemu stiku z ozemljenimi površinami, kot so cevi, radiatorji, kuhalniki in hladilniki.** Če je vaše telo ozemljeno, obstaja povečano tveganje električnega udara.
- **Električnih orodij ne izpostavljajte dežju ali vlažnim pogojem.** Voda v električnem orodju znatno poveča tveganje električnega udara.
- **Kabla ne uporabljajte za neustrezne namene. Kabla nikoli ne uporabljajte za prenašanje, vleko ali izklop električnega orodja. Kabel imejte proč od vročine, olja, ostrih robov ali premikajočih se delov.** Poškodovani ali zapleteni kabli zvišujejo tveganje električnega udara.
- **Med uporabo električnega orodja na prostem uporabljajte podaljševalni kabel, ki je primeren za zunanjo uporabo.** Uporaba kabla, primerne za zunanjo uporabo, znižuje tveganje električnega udara.
- **Če je delo z električnimi orodji v vlažnem okolju neizogibno, uporabite tokovno zaščitno stikalo (RCD).** Uporaba naprave RCD zmanjša tveganje za električni udar.

OSEBNA VARNOST

- **Ostanite pozorni, spremljajte svoje delo in pri uporabi orodja uporabljajte zdravo pamet. Ne uporabljajte orodja, ko ste utrujeni ali pod vplivom drog, alkohola ali zdravil.** Trenutek nepazljivosti med uporabo električnega orodja - kompresorja lahko povzroči hude telesne poškodbe.
- **Nosite osebno varovalno opremo. Vedno nosite zaščito za oči.** Uporaba zaščitne opreme, na primer protiprašne maske, nedrsečih varnostnih čevljev, čelade ali zaščite ušes v ustreznih pogojih zmanjša nevarnost osebnih poškodb.
- **Preprečite nehoten zagon. Poskrbite, da je pred priključitvijo naprave na vir napajanja in/ali akumulator ter pred pobiranjem ali prenašanjem naprave stikalo v položaju za izklop.** Če električno orodje prenašate s prstom na stikalu za vklop ali polnite električno izdelke, ko je stikalo vklopljeno, lahko povzročite nesrečo.
- **Pred vklopom električnega orodja odstranite morebitne nastavitvene ključe ali izvijače.** Izvijač ali ključ, ki je pritrjen na vrtljivi del električnega orodja, lahko povzroči telesne poškodbe.
- **Ne segajte preko dosega. Pazite, da stojite stabilno in da imate ravnotežje.** To omogoča boljši nadzor nad električnim orodjem v nepričakovanih situacijah.
- **Bodite primerno oblečeni. Ne nosite ohlapnih oblačil ali nakita. Las in oblačila ne približujte gibljivim delom.** Ohlapna obleka, nakit ali dolgi spuščeni lasje se zlahka ujamejo v gibajoče se dele.
- **Če se na napravo lahko priključijo elementi za ekstrakcijo ali zbiranje prahu, poskrbite, da jih priključite in ustrezno uporabljate.** Zbiranje prahu lahko zmanjša nevarnosti, povezane s prahom.
- **Pazite, da zaradi pogoste uporabe orodja ne**

postanete preveč samozavestni pri svojem delu in ne namenite pozornosti upoštevanju varnostnih načel uporabe. Brezbržno dejanje lahko že v delcu sekunde povzroči hudo poškodbo.

UPORABA IN NEGA ELEKTRIČNEGA ORODJA

- **Orodja ne preobremenjujte.** Uporabljajte vaši uporabi ustrezen izdelek. Z ustreznim izdelkom boste delo opravljali bolje in varneje pri hitrosti, za katero je namenjen.
- **Ne uporabljajte električnega orodja, če ga stikalo ne vklopi ali izklopi, kot bi bilo treba.** Kakršno koli električno orodje, ki ga ni mogoče nadzirati s stikalom, je nevarno in ga je potrebno popraviti.
- **Pred izvajanjem prilagoditev, menjavanjem dodatkov ali shranjevanjem električnega orodja vtič izključite iz vira napajanja in/ali iz električnega orodja odstranite akumulatorsko baterijo, če se lahko odstrani.** S temi preventivnimi ukrepi omejite tveganje slučajnega vklopa izdelka.
- **Električna orodja, ki niso v uporabi, shranjujte izven dosega otrok in ne dovolite, da bi električno orodje uporabljale osebe, ki niso seznanjene z električnim orodjem ali s temi navodili.** Električna orodja so v rokah neusposobljenih uporabnikov nevarna.
- **Električno orodje in dodatke vzdržujte.** Preverite, če so gibljivi deli napačno pritrjeni ali poškodovani ali kar koli drugega, kar bi lahko vplivalo na delovanje orodja. Če se orodje poškoduje, ga pred ponovno uporabo popravite. Veliko nesreč se zgodi zaradi slabega vzdrževanja orodij.
- **Rezalno orodje naj bo vedno ostro in čisto.** Ustrezno vzdrževano rezalno orodje z ostrimi rezili se manj verjetno sprime in lažje upravlja.
- **Izdelek, dodatke, orodje itd. uporabljajte v skladu s temi navodili in upoštevajte delovne pogoje ter delo, ki ga izvajate.** Uporaba električnega orodja za namene, ki so drugačni od tistih, za katere je bilo orodje zasnovano, lahko povzroči nevarne situacije.
- **Ročaji in držalne površine naj bodo suhi, čisti in brez olja ter masti.** Spolzki ročaji in držalne površine ne omogočajo varnega ravnanja z orodjem ter njegovega upravljanja v nepričakovanih situacijah.

SERVIS

- **Električno orodje naj servisira za to usposobljena oseba, uporabljati pa sme le originalne nadomestne dele.** To bo zagotovilo vzdrževanje varnostni električne naprave.

VARNOSTNA OPOZORILA ZA NAMIZNI VRTALNIK

- **Vrtalnik mora biti pritrjen.** Vrtalnik, ki ni dobro pritrjen, se lahko premakne ali prevrne ter povzroči telesne poškodbe.
- **Obdelovanec mora biti vpet ali pritrjen na podporo za obdelovanca.** Ne vrtajte v

obdelovance, ki so premajhni, da bi jih lahko dobro vpeli. Če obdelovanca med delom držite z roko, se lahko poškodujete.

- **Ne nosite rokavic.** Rokavice se lahko zapletejo v vrtljive dele ali odkruške, kar povzroči telesne poškodbe.
- **Med delovanjem orodja ne približujte rok območju vrtenja.** Stik z vrtljivimi deli ali odkruški lahko povzroči telesne poškodbe.
- **Prepričajte se, da se dodatek pred vstavitvijo v obdelovanca vrta.** Sicer se lahko dodatek zatakne v obdelovancu, kar povzroči nepričakovane premike obdelovanca in telesne poškodbe.
- **Če se dodatek zatakne, prenehajte pritiskati navzdol in izklopite orodje.** Ugotovite vzrok zatikanja in ustrezno ukrepajte, da ga odpravite. Zatik lahko povzroči nepričakovane premike obdelovanca in telesne poškodbe.
- **Pritisk navzdol redno prekinjajte, da preprečite nastajanje predolgih odkruškov.** V ostre kovinske odkruške se lahko zapletete, kar povzroči telesne poškodbe.
- **Nikoli ne odstranjujte odkruškov iz območja vrtenja med delovanjem orodja.** Če želite odstraniti odkruške, dodatek umaknite od obdelovanca, izklopite orodje in počakajte, da se dodatek ustavi. Odkruške odstranjujte s krtačo ali kavljem. Stik z vrtljivimi deli ali odkruški lahko povzroči telesne poškodbe.
- **Če imajo dodatki nazivno hitrost, kora biti ta vsaj enaka največji hitrosti, navedeni na električnem orodju.** Dodatki, ki delujejo hitreje, kot je njihova označena hitrost, se lahko polomijo in razletijo.
- **Svedri morajo biti čisti in ostri.** Če so svedri ostri, se zmanjša možnost zakasnitve. Umazani in topi svedri lahko privedejo do neoparvanosti materiala in možnih poškodb uporabnika.
- **Z rokami ne segajte v delovno območje.** Z rokami ne segajte v bližino svedra. Ne nosite ohlapnih oblačil, nakita, nespelih las itd., saj se lahko zapletejo v sveder.
- **Obdelovanca vedno pripnite ali stisnite ob steber, da se ne bo vrtil.** Predmeta med vrtenjem nikoli ne držite z roko.
- **Za dodatke vrtalnika in obdelovani material uporabite priporočeno hitrost.**
- **Prepričajte se, da je sveder ali rezilo varno zaklenjeno v vpenjalni glavi.**
- **Prepričajte se, da ste ključ iz vpenjalne glave odstranili, preden vrtalnik vključite v vir napajanja ali ga vklopite.**
- **Prilagodite vrtalno mizo ali blokado globine, da ne boste vrtali v mizo.** Preden prenehate uporabljati napravo, izključite napajanje, odstranite sveder in vrtalno mizo očistite.
- **Izogibajte neposredni izpostavljenosti laserju, ko uporabljate laser.**
- **Pazite, da laserski snop vedno usmerite v**

neodbojno površino. Sijoči, odbojni materiali niso primerni za lasersko obdelavo.

- **Prstov nikoli ne polagajte na mesto, kjer bi lahko ob nepričakovanem premiku obdelovanca prišli v stik z vrtalnikom ali drugim rezilom.**
- **Nobenega opravila ne izvajajte s sočasnim premikanjem glave ali vrtalne mize.** Stikala za zagon motorja ne vklopite ali ne opravljajte nobenega dela, preden ne preverite, ali je zaklepna ročica podpore vrtalne mize in glave trdno vpeta ob steber ter da sta nosilna obroča glave in mize pravilno nameščena.
- **Preden vklopite stikalo za vklop/izklop, se prepričajte, da je varovalo jermena pomaknjeno navzdol in da je vpenjalna glava pravilno nameščena.**
- **Ko izdelek pustite nenadzorovan, zaklenite stikalo za vklop/izklop motorja.** Ko se rezilo vrti, je vklopljeno ali priključeno na vir napajanja, na vrtalni mizi ne izvajajte priprave, sestavljanja ali nastavljanja.
- **Če je napajalni kabel poškodovan, ga mora zaradi izogibanja tveganja zamenjati proizvajalec ali pooblaščen servis.**
- **Orodja, ki jih ne uporabljajte, shranite.** Ko orodja ne uporabljate, ga shranite na suho mesto in zaklenite, da otroci ne bodo imeli dostopa.
- Priporočamo, da se orodje vedno napaja prek odklopne naprave na preostali tok, katere nazivni preostali tok je 30 mA ali manjši.
- **Shranite ta navodila.** Redno se sklicujte na njih in jih uporabljajte pri proučevanju drugih uporabnikov. Če napravo komu posodite, priložite zraven tudi ta navodila.

LASERSKA VARNOST

- Lasersko sevanje, ki se uporablja v izdelku, spada v razred 2 z največ $=1\text{mW}$ in valovno dolžino 650 nm. Ne glejte neposredno v laserski žarek. Neupoštevanje pravil lahko povzroči resne telesne poškodbe.
- Med delovanjem ne glejte v laserski žarek.
- Laserskega žarka ne usmerjajte neposredno v oči drugih oseb. To lahko povzroči resno poškodbo oči.
- Laserja ne postavljajte tako, da bi lahko kdor koli namerno ali nenamerno pogledal neposredno v laserski žarek.
- Ne glejte laserskega žarka z optičnimi pripomočki.
- Laserja ne uporabljajte v bližini otrok in ne dovolite otrokom, da bi ga uporabljali.
- Laserske naprave nikoli ne poskušajte popravljati sami.
- Ne poskušajte spreminjati delov laserske naprave sami.
- Popravila lahko izvaja le proizvajalec laserja ali pooblaščen serviser.
- Laserja ne menjajte z laserjem druge vrste.

PREOSTALA TVEGANJA

Nekateri preostalih dejavnikov tveganja ni mogoče povsem odpraviti, tudi če ta izdelek uporabljate v skladu z navodili. Upravljalavec mora zlasti upoštevati te dodatne ukrepe, da zmanjša nevarnosti hudih telesnih poškodb.

- Poškodbe sluha – Nosite ustrezno zaščito za ušesa in omejite izpostavljenost.
- Poškodbe vida – Med uporabo izdelka nosite zaščitna očala.
- Poškodbe zaradi vibracij - Čim bolj omejite izpostavljenost in sledite navodilom za zmanjševanje nevarnosti v tem priročniku.
- Poškodba dihal zaradi vdihavanja prahu, ki se ustvarja pri uporabi izdelka – Nosite ustrezno zaščitno opremo glede na vrsto prahu.

⚠ OPOZORILO

Nekatere vrste prahu, ki nastajajo pri električnem brušenju, žaganju, brušenju, vrtenju in drugih konstrukcijskih operacijah, vsebujejo kemikalije, za katere je znano, da povzročajo raka, prirojene napake ali druge motnje razmnoževanja. Nekaj primerov takšnih kemikalij:

- svinec v barvah na osnovi svinca,
- kristalinični silicijev dioksid (kremen) v opekah in drugih gradbenih materialih,
- arzen in krom v kemično obdelanem lesu.

Vaše tveganje zaradi izpostavljenosti je spremenljivo in odvisno od pogostosti tovrstnega dela. Vašo izpostavljenost takšnim kemikalijam zmanjšate: z delom v dobro prezračenih prostorih in ob uporabi predpisane zaščitne opreme, npr. maske z ustreznimi filtri, ki je posebej prirejena za izločanje mikroskopskih prasnih delcev.

ELEKTRIČNI

Uporabljajte samo trižilne podaljške z ozemljitvijo s tremi kontakti in trizilnimi vtičnicami, ki ustrezajo vtiču naprave. Če električno napravo uporabljate precej daleč stran od vira napajanja, uporabljajte dovolj močan podaljšek, ki bo lahko zagotovil napajanje naprave. Premajhen podaljšek povzroči padec v omrežni napetosti ter posledično padec moči in pregrevanje motorja.

Pred uporabo podaljška preverite, da nima razrahljanih ali izpostavljenih žic in prerezane ali obrabljene izolacije.

⚠ OPOZORILO

Podaljšek naj ne bo na delovnem območju. Kabel postavite tako, da se med delom z električnim orodjem ne bo ujel med navlako, orodje ali druge ovire. Neupoštevanje tega nasveta lahko povzroči hude telesne poškodbe.

⚠ OPOZORILO

Pred vsako uporabo preverite podaljške. Če so poškodovani, jih takoj zamenjajte. Nikoli ne uporabljajte orodja s poškodovanim kablom, ker bi ob dotiku poškodovanega dela kabla lahko prišlo do električnega udara in hude poškodbe.

ELEKTRIČNA POVEZAVA

Ta izdelek ima precizno vgrajen električni motor. Priključite ga lahko samo na 220~240V napajanje, dvosmerni (AC) tok (običajni gospodinjski tok), 50 Hz. Izdelka ne uporabljajte z enosmernim tokom (DC). Znaten padec napetosti bo povzročil izgubo moči, motor pa se bo pregrel. Če izdelek po vklopu v vtičnico ne deluje, še enkrat preverite električno napajanje.

HITROST IN NAPELJAVA

Hitrost ni stalna in se ob obremenitvi ali pri nižji napetost zniža. Napetost napeljave v delavnici je ravno tako pomembna kot nazivna moč motorja. Kabel, ki je namenjen razsvetljavi, običajno ni sposoben napajati motor električnega orodja. Kabel, ki je dovolj močan na kratke razdalje, bo prešibak na daljše razdalje. Kabel, ki lahko podpira eno električno orodje, morda ni sposoben podpirati dveh ali treh.

NAVODILA ZA OZEMLJITEV

Če bi naprava neprimerno delovala ali se okvarila, ozemljitev nudi pot z najmanj upora za električni tok in tako zmanjša možnost električnega udara. Ta naprava je opremljena z električnim kablom, ki ima prevodnik za ozemljitev opreme in ozemljitveni vtič. Vtič morate vstaviti v ustrezno vtičnico, ki je primerno nameščena in ozemljena v skladu z lokalnimi predpisi.

Ne spreminjajte dobavljenega vtiča. Če se ne bo prilegal vtičnici, naj vam ustrezno vtičnico namesti kvalificirani električar. Nepravilna priključitev prevodnika za ozemljitev opreme lahko privede do nevarnosti električnega udara. Prevodnik za ozemljitev opreme je izolirani prevodnik z zeleno površino, na kateri so včasih rumene črte. Če morate popraviti ali menjati električni kabel ali vtič, prevodnika za ozemljitev opreme ne povežite s priključkom, ki je pod napetostjo.

Poškodovan ali obrabljen kabel takoj zamenjajte.

PRIPOROČENI DODATKI

⚠ OPOZORILO

Uporabljajte izključno dodatke, ki so priporočeni za ta izdelek.

Upoštevajte navodila, ki so priložena dodatkom. Uporaba neustreznih dodatkov lahko privede do nevarnosti.

- Sveder
- Vpenjalne sponke
- Primež ročnega vrtnika

⚠ OPOZORILO

Da preprečite poškodbe zaradi letečih zlomljenih sestavnih delov ali obdelovancev, uporabite samo dodatke, ki so zasnovani za ta izdelek.

Nobenedga dodatka ne uporabljajte, dokler v celoti ne preberete navodila ali priročnik za uporabo določenega dodatka.

VSEBINA EMBALAŽE

ODSTRANJEVANJE EMBALAŽE IN PREVERJANJE NJENE VSEBINE

⚠ OPOZORILO

V primeru manjkajočih ali poškodovanih sestavnih delov izdelka ne vključite, dokler ne nadomestite manjkajočega dela ali ga menjajte in ne dokončate sestavljanja.

Izdelek in vse njegove dele previdno odstranite iz embalaže ter preverite, ali so prisotni vsi deli, navedeni na spodnjem seznamu.

Da izdelek zaščitite pred vlago, je površina izdelka prevlečena z zaščitnim filmom. Film odstranite z mehko krpo, navlaženo s kerozinom ali prišilom WD-40.

⚠ OPOZORILO

Da bi preprečili nevarnost požara ali strupene reakcije, za čiščenje izdelka nikoli ne uporabite bencina, nafte, acetona, razredčila za lak ali podobnih hlapljivih topil.

Da preprečite rjavenje, na vrtno mizo, steber in strojne površine nanesite sloj voska v pasti. Vse dele temeljito očistite s čisto suho krpo.

Element	Opis	Kol.
1	Sklop glave	1
2	Miza	1
3	Podstavek	1
4	Zobača letev	1
5	Sklop stebra	1
6	Obroč zobate letve	1
7	Podajalne ročice	3
8	Polžno gonilo	1
9	Zaklepna ročica mize	1
10	Ročica za nastavljanje mizice	1
11	Vijaki s šestrobo glavo	3
12	Pritezalnik	1

13	Ključ vpenjalne glave	1
14	4-milimetrski imbus ključ	1
15	3-milimetrski imbus ključ	1

SESTAVLJANJE IN NASTAVITVE

⚠ OPOZORILO

Zaradi lastne varnosti vtiča nikoli ne priključite v napajalno vtičnico, dokler ne izvedete vseh korakov ter dokler niste prebrali in v celoti razumeli navodil za varnost in uporabo.

⚠ OPOZORILO

Izdelek je težko električno orodje, zato je za varno sestavljanje pomembno, da ga dvignete vsaj dve osebi.

PRITRJEVANJE STEBRA NA PODSTAVEK

Glejte sliko 5.

1. Podstavek namestite na trdno stabilno površino.
2. Izvrtine za vijake v stebru poravnajte izvrtinami za vijake v podstavku.
3. V vsako izvrtino vstavite vijak s šestrobo glavo.
4. Vsak vijak s šestrobo glavo privijte z nastavljivim viličastim ključem.

NAMEŠČANJE VRTALNE MIZE NA STEBER

Glejte slike od 6-10.

1. Zaklepno ročico ogrodja vrtalne mize vstavite v navojno luknjo na hrbtni strani ogrodja vrtalne mize. **OPOMBA:** Ročico namestite z leve proti desni, tako da jo najprej vstavite v stran ogrodja vrtalne mize brez navojev.
2. Polžno gonilo vstavite skozi odprtino vpenjalne glave v ogrodju vrtalne mize. Prepričajte se, da se polžno gonilo združi z notranjim gonilom. **OPOMBA:** S polžnega gonila ne odstranite maziva.
3. Zobato letev vstavite skozi režo v ogrodju vrtalne mize, da so zobje obrnjeni navzven in da je daljši gladki del obrnjen navzgor. Polžno gonilo bi moralo zaskočiti z zobato letvijo.
4. Z obema rokama potisnite celotno vrtalno mizo in zobato letev na steber, dokler dno zobate letve ni nameščeno v obroču podstavka in ob stebru.
5. Zaklepno ročico ogrodja vrtalne mize privijte, da vrtalno mizo zaklenete na steber. **OPOMBA:** Pri privijanju ne uporabite čezmerne sile.
6. Obroč zobate letve s poševnim delom potisnite ob stebru navzdol, dokler poševni del ne zaskoči s poševnim koncem zobate letve.
7. Namestitveni vijak v obroču privijte z imbus ključem. Da ne poškodujete stebra ali obroča, namestitvenega vijaka ne privijte premočno. **OPOMBA:** Vrtalno mizo bi moralo biti zdaj mogoče premikati od ene strani do druge.

8. Ročico za nastavljanje vrtalne mize namestite prek konca polžnega gonila, tako da je ploska stran gredi poravnava z namestitvenim vijakom.
9. Namestitveni vijak privijte z imbus ključem.

NAMEŠČANJE GLAVE

Glejte sliko 11.

⚠ OPOZORILO

Glava namiznega vrtalnika je težka, zato sta za njeno varnost nameštitev na steber potrebni dve osebi.

1. Glavo namestite na steber tako, da je vpenjalna glava nameščena prek vrtalne mize. **OPOMBA:** Izdelek je težek. Po potrebi poiščite dodatno pomoč.
2. Glavo potisnite navzdol do skrajne točke. Sklop vrtalne mize poravnajte s podstavkom in namestitvena vijaka z glavo privijte z imbus ključem.

NAMEŠČANJE PODAJALNIH ROČIC

Glejte sliko 12.

1. Vse tri podajalne ročice namestite tako, da jih privijete v navojne luknje v sklopu zvezdišča.

NAMEŠČANJE VPENJALNE GLAVE

Glejte slike od 13-15.

⚠ OPOZORILO

Preden vpenjalno glavo namestite na glavo namiznega vrtalnika, nalegalne površine očistite z izdelkom, ki ne vsebuje petroleja. Če je bilo pri pakiranju teh sestavnih delov uporabljeno olje ali mazivo, ga je treba odstraniti, da se vpenjalna glava med delovanjem ne zrahlja.

1. Navojno luknjo v vpenjalni glavi očistite s čisto krpo in čistilom brez alkohola. Temeljito obrišite vso odvečno olje in umazanijo.
2. Nalegalne površine na vretenu očistite enako, kot je opisano zgoraj. **OPOMBA:** Prepričajte se, da ste s površine odstranili vse tujke. Že najmanjši delec umazanije ali olja na teh površinah bo preprečil pravilno naleganje vpenjalne glave. Zaradi tega se lahko vpenjalna glava in sveder vrtalnika majeta.
3. Vpenjalno glavo namestite na vreteno. Vpenjalna glava mora biti v povsem odprtem položaju, da se čeljust ne poškoduje.
4. Odklenite ključavnico podpore vpenjalne glave in vijačno mizo potisnite stran od dna vpenjalne glave.
5. Vpenjalno glavo postavite na vreteno in jo do konca potisnite navzgor.
6. S kosom ostanka lesa zaščitite vpenjalno glavo in jo močno potolcite s palico ali kladivom.

⚠ POZOR

Nevarnost poškodbe lastnine. Da preprečite poškodbe vpenjalne glave, je na vreteno nikoli ne zabijajte s kovinskim kladivom.

ODSTRANJEVANJE VPENJALNE GLAVE

1. Podajalne ročice obrnite, da vpenjalno glavo spustite v najnižji položaj.
2. Separator za kroglični zglob (ni prikazan) namestite nad vpenjalno glavo in nanj nežno udarite s kladivom ali gumijastim kladivcem, da se vpenjalna glava sname z vretena.
OPOMBA: Vpenjalne glave nikoli ne udarite neposredno s kladivom ali gumijastim kladivcem.

OPOMBA: Da bi preprečili morebitne poškodbe vpenjalne glave, najprej celjust dvignite v najvišji možni položaj in bodite pripravljeni, da prestrežete vpenjalno glavo, ko se ta sname.

NAMEŠČANJE NAMIZNEGA VRTALNIKA NA DELOVNO POVRŠINO

Glejte sliko 16.

Če želite izdelek uporabljati na stalnem mestu, ga pritrdite na delovno mizo ali drugo stabilno površino.

Če boste izdelek uporabljali kot prenosno orodje, ga trajno pritrdite na montažno ploščo, ki se lahko enostavno pripne na delovno mizo ali drugo stabilno površino. Montažna plošča mora biti dovolj velika, da se prepreči nagibanje izdelka med uporabo. Priporoča se kakovostna vezana ali iverna plošča debeline 19 mm.

1. S pomočjo lukenj v namiznem vrtalniku označite luknje na površini, kjer nameravate namestiti namizni vrtalnik.
2. Skozi namestitveno površino izvrtajte luknje.
3. Namizni vrtalnik postavite na namestitveno površino ter pri tem luknje v podstavku poravnajte z luknjami, ki ste jih izvrtali v namestitveno površino.
4. Vstavite vijake (niso priloženi) in jih privijte s fiksirnimi podložkami in šestrobimi maticami (niso priložene). Če uporabljate vijake s šestrobo glavo, poskrbite, da so dovolj dolgi, da jih lahko vstavite skozi luknje v podstavku namiznega vrtalnika in podlago, na katero bo nameščen namizni vrtalnik. Če uporabljate strojne vijake, poskrbite, da so dovolj dolgi, da jih lahko vstavite skozi luknje v podstavku namiznega vrtalnika, material, na katerega bo vrtalnik nameščen, fiksirne podložke in šestrobe matice.

OPOMBA: Vse vijake morate vstaviti od zgoraj. Fiksirne podložke in šestrobe matice namestite s spodnje strani delovne mize.

Ko je izdelek varno nameščen na stabilno površino:

1. Ko je motor VKLOPLJEN, se prepričajte, da se ne trese.
2. Montažni pribor prilagodite in ga po potrebi privijte.
3. Preverite, ali je miza pravilno sestavljena, da zagotovite njeno neovirano premikanje navzgor in navzdol po stebru.

4. Preverite, da se gred vretena neovirano premika.

SHRANJEVANJE KLJUČA VPENJALNE GLAVE

Glejte sliko 17.

Nosilec za shranjevanje ključa vpenjalne glave se nahaja na desni strani izdelka.

VRTANJE ZAJERALNIH KOTOV

Glejte sliko 18.

OPOMBA: Priložen je kotomer za merjenje približnih zajeralnih kotov. Če je pomembna natančnost, lahko za nameščanje mize uporabite ključavničarski kotnik ali drugo merilno orodje. Uporaba kotomera:

1. Matico na zatiku z 10-milimetrskim ključem ali nastavljivim viličastim ključem privijte v desno, da zatik odstranite iz podpore vrtalne mize. Zatik boste potrebovali pri ponovnem nameščanju vrtalne mize v položaj 0 stopinj glede na podporo. Zatika ne zavrzite.
2. Veliki šestrobi vijak za fiksiranje zajeralnega kota vrtalne mize zrahljajte s 17-milimetrskim ključem ali nastavljivim viličastim ključem.
3. Mizo nagnite in želeno velikost kota poravnajte s črto na nič stopinja, ki se nahaja na nasprotni strani kotomera.
4. Privijte vijak za fiksiranje zajeralnega kota vrtalne mize.
5. Če želite mizo pomakniti v izvorni položaj, zrahljajte vijak za fiksiranje zajeralnega kota kabla. Mizo vrnite v položaj 0°.
6. Matico na zatiku pomaknite na zunanji konec navojev. Zatik nežno udarite s gumijastim kladivcem, dokler se ne usede v nalegalno luknjo v ogrodju vrtalne mize. Matico ročno privijte.
OPOMBA: Za večjo preglednost miza ni prikazana na sliki.

⚠ OPOZORILO

Da preprečite telesne poškodbe pri nastavitvah, vtič vedno izključite iz napajalnega vira.

VRETENO/VREtenCE

Glejte sliko 20.

Podajalne ročice zavrtite v levo, da vreteno spustite v najbolj spodnji položaj. Pridržite vpenjalno glavo in jo pomaknite od spredaj nazaj. Če je prisotno čezmerno premikanje, izvedite spodnje nastavitve:

1. Varovalno matico, ki je nameščena na desni strani izdelka, zrahljajte z 10-milimetrskim ključem.
2. Da preprečite premikanje, s ploskim izvijačem vijak obrnite v desno, vendar pazite, da pri tem ne blokirate premikanja vretena navzgor. (Rahlo premikanja vretena je normalno.)
3. Privijte varovalno matico.

POVRATNA VZMET VREtenCA

Glejte sliko 21.

Če je povratno vzmet vretenca prehitra ali prepočasna,

jo je treba prilagoditi. Vzmet je nameščena na levi strani glave vrtnalnika.

1. Spustite mizo, da zagotovite več prostora.
2. Izvijač vstavite v spodnjo prednjo režo na pokrovčku vzmeti. Pokrovček držite na mestu ter z 10-milimetrskim ključem zrahljajte samo zunanjo blokirno matico.
3. Ko je izvijač še vedno v reži, notranjo matico zrahljajte le toliko, da se reža sname z izbokline na glavi namiznega vrtnalnika.
OPOMBA: Te notranje matice ne odstranite, saj se bo vzmet na silo razširila.
4. Pokrovček vzmeti z izvijačem previdno obrnite v levo, da zaskoči v naslednji reži.
5. Vretence spustite v najbolj spodnji položaj tako, da podajalno ročico zavrtite v levo, medtem ko pokrovček vzmeti držite na mestu.
6. Če se vretence pomika gor in dol skladno z vašimi željami, z izvijačem tesno privijte notranjo matico tesno ob pokrovček vzmeti. Če je nameščen preohlapno, ga napnite tako, da ponovite korake od 3 do 5. Če je nameščen pretesno, zamenjajte koraka 4 in 5.
7. Zunanjo matico z izvijačem privijte ob notranjo matico.

OPOMBA: Ne privijte je premočno, da ne ovirate premikanja vretenca.

NAPETOST JERMENA

Glejte sliko 22.

1. Odprite pokrov škripca.
2. Da sprostite napetost jermena, gumb za fiksiranje napetosti jermena na desni strani namiznega vrtnalnika obrnite v levo.
3. Motor povlecite proti prednji strani izdelka, da popustite napetost jermena.
4. Jermen namestite na ustrezni uto na utornem kolesu škripca, da dosežete zeleno hitrost.
5. Motor potisnite stran od glave namiznega vrtnalnika, dokler jermen ni ustrezno napet.
OPOMBA: Jermen je pravilno napet, če njegov odklon ob pritisku na njegovo središče znaša 13 mm (1/2 palca).
6. Privijte gumb za fiksiranje napetosti jermena, da motor zavarujete na mestu. Zaprite pokrov škripca.

PREVERJANJE/NASTAVLJANJE PORAVNAVE LASERJA

Izdelek je opremljen s funkcijo Laser Trac®.

Laserska snopa vam omogočata, da si predhodno ogledate pot svetla v obdelovancu, v katerega nameravate vrtati, preden začnete postopek.

⚠ OPOZORILO

Izogibajte se neposrednemu stiku z očmi

Samo vklopljeno lasersko vodilo oddaja lasersko svetlobo. Izogibajte se neposrednemu stiku z očmi. Pred izvajanjem nastavitve morate izdelek vedno izključiti iz napajanja.

- Laserski kazalnik ni igrača, zato ga shranjujte zunaj dosega otrok. Napačna uporaba tega pripomočka lahko privede do nepopravljive poškodbe oči.
- Prepovedane so vsakršne prilagoditve, s katerimi bi lahko povečali jakost laserja.
- Ko uporabljate laserski kazalnik, njegovega snopa ne usmerjajte proti ljudem in/ali odbojnim površinam. Že laserski snop nizke jakosti lahko povzroči poškodbe oči. Ne glejte neposredno v laserski žarek.
- Laserski kazalnik ne vključuje sestavnih delov, ki jih lahko servisira uporabnik sam. Ohišja ne odpirajte, da bi izvajali popravila ali prilagoditve.
- Opozorilna etiketa na laserju:



- Ne odstranjujte nobenih etiket oziroma jih ne uničite. Če boste odstranili etikete, boste povečali nevarnost izpostavljenosti sevanju.
- POZOR: Uporaba krmilnih elementov ali nastavitve delovanja, drugačnega od predpisanega, lahko povzroči izpostavljenost nevarnemu laserskemu sevanju.
- Laserske libele ne poskušajte popravljati ali razstavljati. Če popravila na laserskem izdelku izvajajo ne kvalificirane osebe, lahko pride do hudih telesnih poškodb. Kakršna koli popravila na laserskem izdelku mora izvajati osebe v pooblaščenem servisnem centru.
- POZOR: Če z izdelkom uporabite optične instrumente, boste povečali nevarnost za poškodbe oči.

⚠ OPOZORILO

Da bi ojačali lasersko svetlobo, ne uporabljajte očal z barvnimi stekli. Očala z barvnimi stekli zmanjšajo vidljivost pri uporabi in preprečujejo običajno uporabo orodja.

⚠ OPOZORILO

Lasersko sevanje. Snopa nikoli ne usmerite v obdelovanca z odbojno površino. Laser ni priporočen za uporabo na odbojni jekleni pločevini ali podobnih odbojnih površinah. Odbojna površina lahko snop odbije proti upravljavcu ali drugi osebi.

PRILAGAJANJE LASERSKIH ČRT

Glejte sliko 23.

Preverite poravnavo laserja in se prepričajte, da se laserski črti križata točno na mestu stika svedra z obdelovancem. Če temu ni tako, morate laserski črti prilagoditi z gumboma za prilagoditev laserja, ki se nahajata na nasprotnih straneh sklopa glave.

1. Na ostanku lesa narišite »X«.
2. V vpenjalno glavo vstavite majhen sveder in njegovo konico poravnajte z mestom »X«, kjer se križata črti.
3. Ploščo pripnite na mizo.
4. Vključite vodilo laserja in se prepričajte, da sta laserski črti poravnani z oznako »X« na obdelovancu.
5. Če laserski črti nista poravnani, z imbus ključem odvijte namestitvena vijaka na ohišjih laserjev in gumba za prilagoditev laserja obračajte, dokler se črti ne križata v središču oznake »X«. Namestitvena vijaka ponovno privijte, da zavarujete laserja.

DELOVANJE

⚠ OPOZORILO

Četudi se dobro seznanite s tem orodjem, pri uporabi ne postanite nepredvidni. Zaprta si, da lahko že trenutek nepazljivosti povzroči težko poškodbo.

⚠ OPOZORILO

Med upravljanjem z orodji, vedno nosite zaščitna očala ali očala s stransko zaščito. Če tega ne storite, vam lahko v oko pilet predmet in povzroči resno poškodbo.

⚠ OPOZORILO

Ne uporabljajte sestavnih delov ali pribora, ki ga ne priporoča proizvajalec te naprave. Uporaba sestavnih delov ali pribora, ki niso priporočeni, lahko povzroči hude telesne poškodbe.

⚠ OPOZORILO

Da bi preprečili telesne poškodbe, mora biti med delovanjem orodja varovalo nameščeno in zaprto.

SPREMINJANJE HITROSTI IN NAMEŠČANJE JERMENA

Glejte sliko 24.

Hitrost vretena določa položaj jermena na škripcih v sklopu glave. Preglednica hitrosti, ki se nahaja na pokrovu v sklopu glave, prikazuje priporočeno hitrost in nastavitve škripca za vsako uporabo vrtnika.

Spreminjanje nastavitve škripca:

1. Dvignite pokrov škripca.

2. Zrahljajte vijak za napenjanje.
3. Odstranite jermen.
4. Jermen znova namestite skladno s preglednico hitrosti.
5. Znova privijte vijak za napenjanje.

OPOMBA: Za velikost svedra in priporočila glede hitrosti vrtnja glejte poglavje »Priporočena hitrost vrtnja«.

PRIPOROČENA HITROST VRTNANJA

PREGLEDNICA HITROSTI VRTNANJA (VRT/MIN)			
Premer svedra (palci)	Material		
	Les Plastika	Aluminij Cink Medenina	Železo Jeklo
1/16	2430	2430	2430
1/8			1800
3/16		1800	1300
1/4			800
5/16		1300	800
3/8	1300		
1/2	1800	800	510

Stikalo za vklop/izklop

Glejte sliko 25.

Vključitev orodja:

1. Pritisnite gumb ON (I).

Izključitev orodja:

1. Pritisnite gumb OFF (O).

⚠ OPOZORILO

Preden vklopite stikalo za vklop/izklop, se vedno prepričajte, da obdelovanec ni v stiku s svedrom. Če tega opozorila ne upoštevate, lahko delovni material sunkovito poleti proti upravitelju in povzroči hude telesne poškodbe.

NAMEŠČANJE IN ODSTRANJEVANJE SVEDROV

Glejte sliko 26.

1. Izključite izdelek.
2. Čeljust pritezalnika odprite ali zaprite do točke, ko je odprtje rahlo večje od velikosti uporabljenega svedra.
3. Sveder vstavite v vpenjalno glavo po celotni dolžini čeljusti.

⚠ OPOZORILO

Svedra ne vstavite v vpenjalno glavo in ga privijajte, kot je prikazano na Sliki 19. Zaradi tega lahko sveder izskoči iz izdelka, kar lahko privede do hudih telesnih poškodb ali poškodb vpenjalne glave.

- Čeljust vpenjalne glave varno privijte s priloženim ključem vpenjalne glave. Za privijanje ali sproščanje čeljusti ne uporabljajte ključa.
- Izvlécite ključ vpenjalne glave.
- Da odstranite sveder, zgornje korake izvedite v obratnem vrstnem redu.

⚠ OPOZORILO

Da preprečite telesne poškodbe ali nesreče pri izvleku ključa iz vpenjalne glave s silo, ko je napajanje vklopljeno, uporabite ključ vpenjalne glave s funkcijo samodejnega izmeta, ki je priložen namiznemu vrtnalniku. Pred vklopom napajanja vedno znova preverite in odstranite ključ vpenjalne glave. Kadar ključa vpenjalne glave ne uporabljate, ga odložite v nosilec za shranjevanje.

VRTANJE DO DOLOČENE GLOBINE

Vrtanje slepe luknje (ki ne sega povsem skozi obdelovanec) do določene globine lahko izvede na dva načina:

Metoda z obdelovancem

Glejte sliko 27.

- Globino luknje označite na stranskem delu obdelovanca.
- Ko je stikalo v položaju »OFF«, sveder pomikajte navzdol, dokler njegova konica ni poravnana z oznako.
- Podajalne ročice zadržite v tem položaju.
- Spodnjo matico obrnite dol, da bo v stiku z blokirno držalo globine na glavi.
- Zgornjo matico vrtite navzdol in jo zategnite ob spodnjo matico.
- Sveder se zaustavi, ko prepotuje razdaljo, ki jo označite na obdelovancu.

Metoda z merjenjem globine

Glejte sliko 28.

OPOMBA: Ko je vpenjalna glava v zgornjem položaju, mora biti konica svedra tik nad obdelovancem.

- Ko je stikalo v položaju »OFF«, podajalno ročico obračajte, dokler kazalnik ne kaže zelene globine na skali globine, in ročice zadržite v tem položaju.
- Spodnjo matico obrnite dol, da bo v stiku z blokirno zaskočko globine.
- Zgornjo matico obrnite ob spodnjo blokirno matico in jo zategnite.
- Sveder se zaustavi, ko prepotuje razdaljo, ki jo izberete na skali globine.

Vrtanje luknje

- S prebijalom ali ostrim žebeljem označite mesto na obdelovancu, kjer želite vrtati.
- Vklopite vodilo laserja in laserski črti (x) poravnajte z označenim mestom.
- Vklopite stikalo za vklop/izklop in podajalne ročice potisnite navzdol tako, da uporabite zgolj toliko sile, da omogočite vrtanje.

Prehitro podajanje lahko povzroči zdrs jermena ali svedra ter izmet obdelovanca ali zlom svedra.

Pri vrtanju kovine morate konico svedra namazati z oljem za vrtanje kovine, da preprečite njegovo pregrevanje.

ZA VAŠO ZAŠČITO

⚠ OPOZORILO

Ne nosite ohlapnih oblačil, rokavic, kravat ali nakita, ki se lahko ujamejo v električno orodje. Dolge lase vedno spnite.

- V primeru manjkajočega, okvarjenega, poškodovanega ali zlomljenega sestavnega dela takoj prekinite delovanje, dokler sestavnega dela ne popravite ali nadomestite.
- Prstov nikoli ne polagajte na mesto, kjer bi lahko prišli v stik z vrtnalnikom ali drugim rezilom. Obdelovanec se lahko nepričakovano premakne ali vam lahko zdrsne roka.
- Da obdelovanec ne odleti iz vaših rok, da ga orodje ne izvrže ali zavrti ali da se ne razleti, ga vedno podložite na spodnji način:
 - Podložni material (pod obdelovancem) vedno namestite tako, da je v stiku z levo stranjo stebra.
 - Kadar je mogoče, obdelovanca namestite tako, da bo v stiku z levo stranjo stebra. Če je obdelovanec prenizek ali če je miza nagnjena, ga fiksno pripnite na vrtnalo mizo s pomočjo rež.
 - Če uporabljate prireže namiznega vrtnalnika (ni priložen), ga vedno pripnite na vrtnalo mizo.
 - Pri delu si vedno pomagajte s pripomočki (obdelovanca ne držite z rokami, temveč ga podložite na vrtnali mizi), razen pri loščenju ali brušenju.
 - Pred uporabo namiznega vrtnalnika, varno zaklenite glavo in podporo na steber, roko vrtnale mize na podporo in vrtnalo mizo na roko.
 - Med delovanjem orodja nikoli ne premikajte glave ali vrtnale mize.
 - Pred začetkom uporabe, preklopite stikalo za vklop motorja, da se prepričate, da se sveder ali drugo rezilo ne maje ali trese.
 - Če obdelovanec sega čez mizo tako, da lahko, če ga ne držite, pade ali se nagne čez rob mize, ga pripnite na vrtnalo mizo ali uporabite dodatno podporo.
 - Za neobičajna opravila uporabite pritrdila, ki omogočijo ustrezno pritrditev, vodenje in nameščanje obdelovanca.
 - Za točno določeno uporabo in material obdelovanca uporabite priporočeno hitrost vretena. Za informacije o hitrosti vrtanja glejte ploščo na notranji strani pokrova škripca ali poglavje »Priporočena hitrost vrtanja«. Za dodatke glejte navodila, priložena posameznemu dodatku.
- Nikoli se ne vzpenjajte na mizo namiznega vrtnalnika, saj se lahko miza zlomi ali se celoten namizni vrtnalnik

- prekucne na vas.
- Ko izdelek pustite brez nadzora, izključite napajanje (»OFF«) na vtičnici.
 - Da preprečite poškodbe zaradi izmeta obdelovanca ali stika z orodjem, na mizi ne izvajajte priprave, sestavljanja ali nastavitve, medtem ko se rezalno orodje vrti.

NAMEŠČANJE VRTALNE MIZE IN OBDELOVANCA

Glejte sliko 29-30.

- Vrtalno mizo zaklenite na steber tako, da je konica svedra tik nad zgornjo ploskvijo obdelovanca.
- Med mizo in obdelovancem vedno namestite podložni material (lesne ostanke). S tem boste preprečili razcepjanje ali neraven/nazobčan rob na spodnji strani obdelovanca. Da preprečite vrtenje podložnega materiala, ga morate položiti ob levo stran stebra.
- Pri obešanju obdelovanca na višino uporabite ustrezno podporo.

⚠ OPOZORILO

Da preprečite izmet obdelovanca ali podložnega materiala med vrtnjem, morate obdelovanca namestiti ob levo stran stebra. Če obdelovanec ali podložni material zaradi premajhne dolžine ne sega do stebra, ju pripnite na mizo tako, da podložni material objame obdelovanca. Če obdelovanca ne zavarujete, lahko to privede do telesnih poškodb.

⚠ OPOZORILO

Primež ročnega vrtalnika morate vpeti ali privijačiti na mizo, da preprečite poškodbe zaradi vrtečega se obdelovanca ali poškodovanega primeža ali svedrov.

FIKSIRANJE MESTA VRTRANJA

- S prebijalom ali ostrim žebelj označite mesto vrtnanja na obdelovancu.
- Vklopite vodilo laserja in laserski črti (x) poravnajte z označenim mestom.

NAGIBANJE MIZE

Glejte sliko 31.

OPOMBA: Podpora mize ima predhodno izvrtano luknjo, v katero je vstavljen zatik, ki omogoča zaklepanje mize v predhodno izvrtanem zajeralnem kotu 0°.

- Matico na zatiku z 10-milimetrskim ključem ali nastavljivim viličastim ključem privijte v desno, da zatik odstranite iz podpore vrtalne mize. Zatik boste potrebovali pri ponovnem nameščanju vrtalne mize v položaj 0 stopinj glede na podporo.
- Veliki šestrobi vijak za fiksiranje zajeralnega kota vrtalne mize zrahljajte s 17-milimetrskim ključem ali nastavljivim viličastim ključem.

⚠ OPOZORILO

Za preprečevanje poškodb sklop vrtalne mize in roke pridržite, da se ne zavrti ali nagne.

- Mizo nagnite in želeno velikost kota poravnajte s črto na nič stopinja, ki se nahaja na nasprotni strani kotomera.
- Privijte vijak za fiksiranje zajeralnega kota vrtalne mize.
- Če želite mizo pomakniti v izvorni položaj, zrahljajte vijak za fiksiranje zajeralnega kota mize. Mizo vrnite v položaj 0°.
- Matico na zatiku pomaknite na zunanji konec navojev. Zatik nežno udarite, dokler se ne usede v nalegalno luknjo v ogrodju vrtalne mize. Matico ročno privijte.

⚠ OPOZORILO

Da preprečite poškodbe zaradi vrtenja ali zloma orodja, obdelovanca in podložni material vedno varno pripnite na vrtalno mizo, preden uporabite namizni vrtalnik.

PODAJANJE

- Podajalne ročice potisnite navzdol tako, da uporabite zgolj toliko sile, da omogočite vrtnje.
- Prepočasno podajanje lahko povzroči pregrevanje svedra. Prehitro podajanje lahko povzroči zdrs jermena ali svedra ter izmet obdelovanca ali zlom svedra.
- Pri vrtnju kovine je pomembno, da konico svedra namažete z oljem in preprečite ožganine obdelovanca in svedra.

VZDRŽEVANJE

⚠ OPOZORILO

Za lastno varnost pred vzdrževanjem ali mazanjem namiznega vrtalnika izklopite stikalo za vklop/izklop in svečko odstranite iz napajalne vtičnice.

Z zračnim kompresorjem ali vakuumskim sesalnikom pogosto izpihajte morebitno žagovino ali kovinske opilke, ki se nabirajo v motorju, ohišju škripca, vrtalni mizi in delovni površini. Pri uporabi orodja vedno nosite zaščitna očala.

⚠ OPOZORILO

Za preprečevanje nevarnosti udara ali požara mora morebitne obrabljene ali razrezane napajalne kable takoj menjati usposobljen električar ali servisni tehnik.

MAZANJE

Vsi krogljčni ležaji namiznega vrtalnika so tovarniško namazani. Zato ne zahtevajo dodatnega mazanja.

Redno mažite gonilo in zobato letev ter dvizni mehanizem vretena in zobato letev (zobe) vretenca. Vreteno spustite dol in tulec vretena namažite z zmerno količino olja vsake tri mesece.

TRANSPORT IN SKLADIŠČENJE

Glejte sliko 32.

Pri prevozu izdelka odklopite napajalni kabel in se prepričajte, da so vsi njegovi deli varno pritrjeni. Za mesta prijema pri dviganju glejte sl. 32.

Izdelek shranjujte v varnem prostoru izven dosega otrok. Izdelek pred skladiščenjem očistite s pomočjo krtače in sesalca.

SIMBOL

Varnostno opozorilo



Evropski znak skladnosti



Britanski znak skladnosti



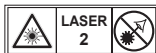
Ukrajinski znak skladnosti



EurAsian oznaka o skladnosti



Pred zagonom naprave pazorno preberite navodila.



Lasersko sevanje.
Ne glejte v žarek.
Laserski izdelek 2. razreda



Ne izpostavljajte dežju in ne uporabljajte na vlažnih mestih.



Nosite zaščito za ušesa



Vedno nosite zaščito za oči.



Zmogljivost vpenjalne glave



Hod vretena



Poravnava pri vrtanju



Premer svedra (palcev)



Les



Aluminij
Cink
Medenina



Železo
Jeklo



Odpadne električne in elektronske opreme ne odlagajte med nesortirane gospodinjске odpadke. Odpadno električno in elektronsko opremo je treba zbirati ločeno. Odpadne svetlobne vire je treba odstraniti iz opreme. Glede recikliranja in zbirališča se posvetujte z lokalnim organom ali prodajalcem. Skladno z lokalnimi predpisi morajo trgovci na drobno odpadno električno in elektronsko opremo morda brezplačno prevzeti. Vaš prispevek k ponovni uporabi in recikliranju odpadne električne in elektronske opreme pomaga zmanjšati zahteve po surovinah. Odpadna električna in elektronska oprema vsebuje dragocene materiale in materiale, ki jih je mogoče reciklirati, in lahko v primeru, da se ne odložijo na način, skladen z okoljem, negativno vplivajo na okolje in zdravje ljudi. Če so v odpadni opremi shranjeni osebni podatki, jih izbrišite.

ODPRAVLJANJE NAPAK

Težava	Možni vzroki	Rešitev
Delovanje spremlja hrup.	<ol style="list-style-type: none"> 1. Nepravilno napet jermen. 2. Vreteno je suho. 3. Zrahljan škripec vretena. 4. Zrahljan škripec motorja. 	<ol style="list-style-type: none"> 1. Prilagodite napetost. Glejte poglavje »Napetost jermena«. 2. Namažite vreteno. Glejte poglavje »Mazanje«. 3. Preverite, ali je zadrževalna matica na škripcu dovolj privita, in jo po potrebi privijte. 4. Privijte namestitveni vijak v škripcu motorja.
Ožgan sveder.	<ol style="list-style-type: none"> 1. Nepravilna hitrost. 2. Iz izvrtine ne prihajajo opilki. 3. Top sveder. 4. Podajanje je prepočasno. 5. Ni dovolj maziva. 	<ol style="list-style-type: none"> 1. Spremenite hitrost. Glejte poglavje »Prilagajanje hitrosti in zamenjava jermena«. 2. Sveder večkrat umaknite nazaj, da odstranite opilke. 3. Naostrite sveder ali ga nadomestite z novim. 4. Dovolj hitro podajanje – pustite, da sveder vrta. 5. Namažite sveder. Glejte poglavje »Podajanje«.
Odmik svedra od mesta vrtnja – izvrtana luknja ni okrogla.	<ol style="list-style-type: none"> 1. Različna struktura rasti vlaken ali dolžine rezalnih poti in/ali kotov. 2. Ukrivljen sveder. 	<ol style="list-style-type: none"> 1. Pravilno naostrite sveder. 2. Menjajte sveder.
Razcepljena spodnja stran.	<ol style="list-style-type: none"> 1. Pod obdelovancem ni nobenega podložnega materiala. 	<ol style="list-style-type: none"> 1. Uporabite podložni material. Glejte poglavje »Delovanje«.
Obdelovanec odleti iz rok.	<ol style="list-style-type: none"> 1. Obdelovanec ni pravilno podprt ali pripet. 	<ol style="list-style-type: none"> 1. Podprite ali pripnite obdelovanca. Glejte poglavje »Delovanje«.
Sveder se je zataknil v obdelovanec.	<ol style="list-style-type: none"> 1. Obdelovanec stiska sveder ali je podajanje prehitro. 2. Nepravilno napet jermen. 	<ol style="list-style-type: none"> 1. Podprite ali pripnite obdelovanca. Glejte poglavje »Delovanje«. 2. Prilagodite napetost. Glejte poglavje »Napetost jermena«.
Čezmerni odmik ali majanje svedra.	<ol style="list-style-type: none"> 1. Ukrivljen sveder. 2. Ležaji so obrabljeni. 3. Sveder ni pravilno vstavljen v vpenjalno glavo. 4. Vpenjalna glava ni pravilno nameščena. 	<ol style="list-style-type: none"> 1. Uporabite raven sveder. 2. Menjajte ležaje. 3. Pravilno namestite sveder. Glejte poglavji »Delovanje« in »Sestavljanje in nastavitve«. 4. Pravilno namestite vpenjalno glavo. Glejte poglavje »Nameščanje vpenjalne glave«.
Prepočasno ali prehitro vračanje vretenca.	<ol style="list-style-type: none"> 1. Vzmet tuljave ni pravilno napeta. 	<ol style="list-style-type: none"> 1. Prilagodite napetost vzmeti. Glejte poglavje »Povratna vzmet vretenca«.
Vpenjalna glava ne bo ostala pritrjena na vreteno. Ko jo poskusite namestiti, se sname.	<ol style="list-style-type: none"> 1. Na notranji strani navojne površine vpenjalne glave ali vretena je prisotna umazanija, mazivo ali olje. 	<ol style="list-style-type: none"> 1. S čistilom brez alkohola očistite navojno površino vpenjalne glave in vretena, da z nje odstranite umazanijo, mazivo in olje. Glejte poglavje »Nameščanje vpenjalne glave«.

POPIS

1. Hlava vŕtačky
2. Doska
3. Základňa
4. Ozubená tyč
5. Stĺp vŕtačky
6. Vodiaci krúžok ozubenej tyče
7. Páky posuvu
8. Závítokové koleso
9. Zaisťovacia rukoväť stola
10. Kľuka zdvíhu stola
11. Šesťhranné skrutky
12. Skľučovadlo
13. Kľúč skľučovadla
14. Imbusový kľúč 4 mm
15. Imbusový kľúč 3 mm
16. Plochý skrutkovač
17. Nastavovací kľúč
18. Kľúč 12 mm
19. Kladívko alebo gumené kladivo
20. Kombinovaný uhlomer
21. Drevená doštička
22. Motor
23. Laserová hlava
24. Vratná cievka/pružina hriadeľa
25. Držiak stola
26. Kryt remenice
27. Hlavný spínač
28. Spínač lasera
29. Vrchný bezpečnostný kryt
30. Montážny otvor
31. Zaisťovacia skrutka hlavy
32. Zaisťovací otočný gombík napnutia remeňa
33. Držiak kľúča skľučovadla
34. Remenica vretena
35. Remenica motora
36. Podpera stola
37. Otvor na kľuka zdvíhu stola
38. Podpera stĺpa
39. Nastavovacia skrutka
40. Hlava
41. Zaisťovacia skrutka hlavy
42. Závítové otvory
43. Náboj zostava
44. Vreteno
45. Skrutka s maticou x 2 (M12, nie je súčasťou dodávky)
46. Poistná podložka x 4 (Dia. 12mm, nie je súčasťou dodávky)
47. Gumená podložka x 2 (Dia. 12mm, nie je súčasťou dodávky)
48. Plochá podložka x 2 (Dia. 12mm, nie je súčasťou dodávky)
49. Poistná matica x 2 (M12, nie je súčasťou dodávky)
50. Šesťhranná matica x 2 (M12, nie je súčasťou dodávky)
51. Pracovná plocha
52. Stupnica skosenia
53. Zaisťovacia skrutka nastavenia sklonu stola
54. Matica
55. Poistná matica
56. Skrutky
57. Spodná predná drážka
58. Kryt pružiny
59. Vonkajšia poistná matica
60. Vnútoraná matica
61. Drážka
62. Výchnelok
63. Čeluste skľučovadla
64. Vrták
65. Hĺbka
66. Ukazovateľ stupnice hĺbky
67. Stupnica hĺbky
68. Horná matica
69. Spodná matica
70. Hĺbkový doraz
71. Obrobok

Bezpečnosť, efektivita a spoľahlivosť boli prvoradáre pri navrhovaní vašej stĺpovej vrtačky.

ÚČEL POUŽITIA

Táto stĺpová vrtačka je určená na vrtanie do dreva, plastu, hliníka a ocele.

Tento výrobok môžu používať len dospelé osoby, ktoré si prečítali a porozumeli návodu na obsluhu, rizikám a nebezpečenstvám.

Tento výrobok je navrhnutý tak, aby sa dal v spodnej časti pripevniť k pevnej doske stola. Ak základňa nie je bezpečne pripevnená, celý stroj má počas prevádzky tendenciu sa prevrátiť, posúvať alebo pohybovať po novej ploche, čo zvyšuje možnosť vážneho poranenia osôb.

Výrobok je určený na použitie v suchom prostredí, s výborným osvetlením okolia a dostatočným vetraním.

Tento produkt je určený na použitie spotrebiteľom, musí sa používať len podľa vyššie uvedeného popisu a nie je určený na žiadny iný účel.

VŠEOBECNÉ BEZPEČNOSTNÉ VÝSTRAHY PRE ELEKTRICKÝ NÁSTROJ

VAROVANIE

Prečítajte si všetky výstrahy, pokyny, vyobrazenia a špecifikácie dodané k tomuto elektrickému nástroju. Pri nedodržaní týchto výstrah a pokynov môže dôjsť k úrazu elektrickým prúdom, požiaru a/alebo závažnému poraneniu

Odložte všetky výstrahy a pokyny pre budúce použitie. Výraz „elektrické náradie“ uvádzaný vo výstrahách sa vzťahuje na elektrické náradie napájané zo siete (s káblom) alebo elektrické náradie napájané akumulátorom (bez kábla).

BEZPEČNOSŤ PRACOVISKA

- Pracovisko udržiavajte v čistote a správne osvetlené. Prepchané alebo tmavé miesta zvyšujú pravdepodobnosť nehôd.
- Nepracujte s mechanickými nástrojmi vo výbušných atmosférach, napríklad v blízkosti zápalných tekutín, plynov alebo prachu. Mechanické nástroje vytvárajú iskry, ktoré môžu podpáliť takýto prach alebo výpary.
- Deti a okolostojaci sa počas práce s mechanickým nástrojom nesmú zdržovať v jeho blízkosti. Rozptýlenie môže spôsobiť, že stratíte nad nástrojom kontrolu.

ELEKTRICKÁ BEZPEČNOSŤ

- Zástrčky mechanického nástroja musia zodpovedať zásuvke. Zástrčku nikdy žiadnym spôsobom neupravujte. S uzemnenými mechanickými nástrojmi nepoužívajte adaptérové zásuvky. Použitím neupravených

zástrčiek a zodpovedajúcich zásuviek sa znižuje riziko úrazu elektrickým prúdom.

- Vyhýbajte sa telesnému kontaktu s uzemnenými povrchmi, napríklad rúrami, radiátormi, sporákmi a chladničkami. Ak je vaše telo uzemnené, hrozí vysoké riziko úrazu elektrickým prúdom.
- Mechanické nástroje nevystavujte dažďu ani mokrému prostrediu. Voda, ktorá vnikne do mechanického nástroja, zvyšuje riziko úrazu elektrickým prúdom.
- Kábel nenamahajte. Nikdy nepoužívajte kábel na prenášanie, ťahanie alebo odpájanie mechanického nástroja. Kábel nedávajte do blízkosti tepla, oleja, ostrých hrán alebo pochybujúcich sa dielov. Poškodené alebo zamotané káble zvyšujú riziko úrazu elektrickým prúdom.
- Pri práci s mechanickým nástrojom v exteriéri používajte predlžovací kábel vhodný pre použitie v exteriéri. S káblom vhodným pre použitie v exteriéri sa znižuje riziko úrazu elektrickým prúdom.
- Ak je nevyhnutné pracovať s mechanickými nástrojmi vo vlhkom prostredí, použite zdroj chránený zariadením pre zvyškový prúd. Použitie zariadenia pre zvyškový prúd znižuje riziko úrazu elektrickým prúdom.

OSOBNÁ BEZPEČNOSŤ

- Pri práci s nástrojom dávajte neustále pozor, sledujte, čo robíte a používajte zdravý rozum. Nepoužívajte tento nástroj, keď ste unavení alebo pod vplyvom drog, alkoholu alebo liekov. Chvíľa nepozornosti počas práce s mechanickými nástrojmi môže spôsobiť závažné osobné poranenie.
- Používajte osobné ochranné prostriedky. Vždy používajte chrániče zraku. Na redukovanie osobných poranení sa pre príslušné podmienky musia používať ochranné prostriedky, ako je protiprachová maska, ochranná obuv s protišmykovou úpravou, prilba alebo chrániče sluchu.
- Dbajte na to, aby nedochádzalo k neúmyselnému spusteniu. Pred pripojením k zdroju napájania a/alebo súprave batérií, zdvíhaním alebo prenášaním výrobku vždy vypínač prepnite do vypnutej polohy. Prenášanie elektrického náradia s prstom na vypínači alebo dodávanie energie do elektrického náradia s vypínačom v zapnutej polohe môže spôsobiť úraz.
- Pred zapnutím nástroja odstráňte prípadný nastavovací klin alebo kľúč. Keď necháte kľúč alebo klin nasadený na rotujúci diel mechanického nástroja, môže dôjsť k vážnemu poraneniu osôb.
- Nesiahajte príliš ďaleko. Neustále zachovávajte pevnú oporu nôh a rovnováhu. Tak si zaistíte lepšiu kontrolu nad mechanickým nástrojom v nečakaných situáciách.
- Primerane sa oblečte. Nenoste voľný odev ani šperky. Svoje vlasy a odev majte v bezpečnej vzdialenosti od pohyblivých dielov. Voľný odev,



šperky či dlhé vlasy sa môžu zachytiť do pohyblivých častí.

- Ak sú zariadenia vybavené prípojkou pre zariadenie na odsávanie a zber prachu, pripojte ich a správne ich používajte. Používanie zberu prachu môže znížiť nebezpečenstvá súvisiace s prachom.
- **Nedovoľte, aby znalosti získané počas častého používania náradia spôsobili, že budete ignorovať princípy bezpečnosti pre náradie.** Nepozorná činnosť môže v zlomku sekundy spôsobiť vážne poranenie.

POUŽÍVANIE ELEKTRICKÉHO NÁSTROJA A STAROSTLIVOSŤ OŇ

- **Na nástroj nevývíjajte silu. Používajte vhodný produkt pre danú aplikáciu.** Správny produkt splní svoju úlohu lepšie a bezpečnejšie pri rýchlosti, na ktorú je určený.
- **Mechanický nástroj nepoužívajte, ak spínač nezapína a nevypína nástroj.** Mechanický nástroj, ktorý sa nedá ovládať spínačom, je nebezpečný a musí sa dať opraviť.
- **Pred vykonávaním akýchkoľvek úprav, výmenou príslušenstva alebo uskladnením elektrického náradia odpojte elektrickú zástrčku zo zdroja napájania a/alebo vyberte z elektrického náradia súpravu batérií, ak sa dá vybrať.** Takéto preventívne bezpečnostné opatrenia znižujú riziko náhodného spustenia výrobku.
- **Nečinné mechanické nástroje odložte mimo dosahu detí a nedovoľte používať mechanický nástroj osobám neoboznaným s mechanickým nástrojom alebo týmito pokynmi.** Mechanické nástroje sú v rukách netrénovaných osôb nebezpečné.
- **Vykonávajte údržbu elektrického náradia a príslušenstva.** Skontrolujte, či pohyblivé diely nie sú nesprávne nastavené alebo zablokované, či niektoré diely nie sú poškodené, ako aj akýkoľvek iný stav, ktorý by mohol ovplyvniť činnosť nástroja. Pri poškodení nechajte pred opätovným použitím nástroj opraviť v servise. Mnoho nehôd je spôsobených nedostatočnou údržbou nástrojov.
- **Udržujte ostrosť a čistotu rezného náradia.** Správne udržiavané rezné náradie s ostrými reznými hranami menej pravdepodobne uviazne a jednoducho sa ovláda.
- **Výrobok, príslušenstvo, nadstavce a pod. používajte v súlade s týmito pokynmi a zohľadnite pritom pracovné podmienky a vykonávanú prácu.** Pri používaní mechanického nástroja na iné ako určené činnosti môže dôjsť k nebezpečným situáciám.
- **Rúčky a úchopné povrchy uchovávajte suché, čisté a bez oleja a maziva.** Šmykľavé rúčky a úchopné povrchy neumožňujú bezpečnú manipuláciu a ovládanie náradia v neočakávaných situáciách.

SERVIS

- **Servis mechanického nástroja prenechajte kvalifikovanému servisnému pracovníkovi s použitím len identických náhradných dielov.** Týmto sa zabezpečí, že sa zachová bezpečnosť elektrického nástroja.

BEZPEČNOSTNÉ VÝSTRAHY PRE STLPOVU VRTAČKU

- **Vrtáčku treba zaistiť.** Nesprávne zaistená vrtáčka sa môže posunúť alebo prevrhnúť a spôsobiť osobné poranenie.
- **Obrobok musí byť prichytený alebo zaistený k podpore obrobku.** Nevrtajte do kusov, ktoré sú veľmi malé a nedajú sa bezpečne prichytiť. Držanie obrobku rukou počas vykonávania činnosti môže mať za následok osobné poranenie.
- **Nepoužívajte rukavice.** Rukavice sa môžu namotať otáčajúcimi dielmi alebo úlomkami s dôsledkom osobného poranenia.
- **Kým je náradie spustené, ruky držte mimo oblasti vrtania.** Kontakt s otáčajúcimi sa dielmi alebo úlomkami môže mať za následok osobné poranenie.
- **Pred zasunutím do obrobku sa musí príslušenstvo otáčať.** V opačnom prípade sa môže príslušenstvo zaseknúť v obrobku, spôsobiť jeho neočakávaný pohyb a osobné poranenie.
- **Ak dôjde k zaseknutiu príslušenstva, prestaňte aplikovať tlak smerom nadol a náradie vypnite.** Zistite príčinu zaseknutia a vykonajte kroky na jeho odstránenie. Zaseknutie môže spôsobiť neočakávaný pohyb obrobku a osobné poranenie.
- **Pravidelným prerušovaním tlaku nadol zabráňte tvorbe dlhých úlomkov.** Ostré kovové úlomky môžu spôsobiť namotanie a osobné poranenie.
- **Úlomky z oblasti vrtania nikdy neodstraňujte, kým náradie beží.** Pred odstránením úlomkov odoberte príslušenstvo od obrobku, náradie vypnite a počkajte na úplné zastavenie príslušenstva. Na odstránenie úlomkov použite nástroj ako je kefa alebo hák. Kontakt s otáčajúcimi sa dielmi alebo úlomkami môže mať za následok osobné poranenie.
- **Príslušenstvo so stanovenou hodnotou otáčok musí mať uvedenú hodnotu otáčok minimálne zhodnú s maximálnou hodnotou otáčok uvedenou na náradí.** Príslušenstvo pracujúce na vyššej ako svojej menovitej rýchlosti, sa môže rozbiť a rozpadnúť.
- **Udržujte vrtáky čisté a ostré.** Ostré vrtáky minimalizujú preťaženie. Špinavé a tupé vrtáky môžu spôsobiť vyosenie materiálu a zranenie obsluhy.
- **Udržujte ruky v bezpečnej vzdialenosti od pracovnej plochy.** Udržujte ruky v bezpečnej vzdialenosti od vrtáka. Nenoste žiadne voľné oblečenie, šperky, dlhé vlasy atď. Mohli by sa namotať na vrták.



- **Vždy upevnite obrobok alebo svorku oproti stĺpu, aby sa zabránilo otáčaniu.** Nikdy pri vŕtaní nedržte predmet rukou.
- **Používajte doporučenú rýchlosť pre vŕtacie príslušenstvo a materiál obrobku.**
- **Ubezpečte sa, že vŕták alebo obrábací nástroj je bezpečne zaistený v skľučovadle.**
- **Ubezpečte sa, že kľúč skľučovadla je odstránený zo skľučovadla ešte predtým, ako vŕtačku pripojíte k zdroju elektrickej energie alebo zapnete napájanie.**
- **Nastavte stôl alebo hĺbkový doraz tak, aby ste zabránili vŕtaniu do stola.** Pred odstavením stroja vypnite napájanie, vyberte vŕták a vyčistite stôl.
- **Pri používaní laserového zameriavania sa nepozerajte priamo do svetla lasera.**
- **Vždy zaistíte, aby bol laserový lúč zamierený na povrch bez odrazových vlastností.** Lesklé reflexné materiály nie sú vhodné na použitie s laserom.
- **Nikdy nenechávajte prsty v polohe, v ktorej by sa mohli dostať do kontaktu s vŕtákom alebo iným rezným nástrojom, v prípade nečakaného posunu obrobku.**
- **Nikdy nevykonávajte žiadne operácie pohybom hlavy alebo stola voči sebe navzájom.** Nikdy nezapínajte vypínač motora ani nespúšťajte žiadnu operáciu, kým neskontrolujete, či je hlava a zaistovacia rukoväť opory stola pevne upnuté k stĺpu a hlava a objímky podpery stola nie sú v správnej polohe.
- **Pred zapnutím vypínača sa uistite, že kryt remeňa je nasadený a skľučovadlo je správne namontované.**
- **Predtým, ako odídete od vŕtačky, zaistíte hlavný vypínač vypnutý.** Nevykonávajte na stole zameriavanie, montáž alebo nastavovanie, pokiaľ sa obrábací nástroj otáča, je zapnutý alebo je pripojený k zdroju elektrickej energie.
- **Ak dôjde k poškodeniu napájacieho kábla, aby nedošlo k ohrozeniu, musí ho vymeniť výrobca alebo autorizované servisné stredisko.**
- **Nástroje odkladajte mimo dosahu detí a iných nezaškolených osôb.** Keď sa nástroje nepoužívajú, odložte ich na suché uzamknuté miesto mimo dosahu detí.
- **Odporúčame prívod elektrickej energie do náradia realizovať cez prúdový chránič s menovitou hodnotou zvyškového prúdu maximálne 30 mA.**
- **Uschovajte si tieto inštrukcie.** Často do neho nahliadajte a používajte ho na poučenie ostatných užívateľov. Ak niekomu nástroj požičiate, priložte k nemu aj tento návod.

BEZPEČNOSŤ PRI PRÁCI S LASEROM

- Laserové žiarenie používané v tomto výrobku je triedy 2 s maximálnou vlnovou dĺžkou =1 mW a 650 nm. Nepozerajte priamo do laserového lúča. Pri nedodržaní týchto pravidiel by mohlo dôjsť k

vážnemu poraneniu osôb.

- Počas činnosti nepozerajte do lúča.
- Nesviette laserovým lúčom priamo do očí iných osôb. Mohlo by dôjsť k vážnemu poraneniu očí.
- Nepracujte s laserom v polohe, pri ktorej by sa mohol niekto, či už úmyselne alebo neúmyselne, pozrieť do laserového lúča.
- Nepoužívajte optické nástroje na zobrazenie laserového lúča.
- Nepoužívajte laser v blízkosti detí ani nedovoľte deťom pracovať s laserom.
- Nepokúšajte sa opravovať laserové zariadenie sami.
- Nepokúšajte sa sami vymieňať žiadne diely laserového zariadenia.
- Akékoľvek opravy môže vykonávať len výrobca lasera alebo autorizovaný servisný pracovník.
- Nevymieňajte laser za iný typ.

ZVÝŠKOVÁ RIZIKOVOSŤ

Aj keď sa nástroj používa podľa predpisu, nie je možné eliminovať určité zvyškové rizikové faktory. Obsluhujúci musí týmto bodom venovať špeciálnu a zvýšenú pozornosť, aby znížil riziko závažného osobného poranenia.

- **Poškodenie sluchu –** Používajte vhodnú ochranu sluchu a obmedzte expozíciu
- **Poškodenie zraku –** Pri práci s produktom používajte ochranné štíty na oči alebo okuliare.
- **Zranenie spôsobené vibráciami -** Obmedzte vystavenie účinkom vibrácií a postupujte podľa pokynov na znižovanie rizika v tejto príručke.
- **Poranenie respiračného systému z prachu vytváraného pri činnosti produktu –** Používajte vhodné opravné prostriedky v závislosti od druhu prachu.

VAROVANIE

Niekedy prach vytváraný pri elektrickom leštení, pílení, brúsení, vŕtaní a iných stavebných prácach obsahuje chemické látky, o ktorých je známe, že spôsobujú rakovinu, poruchy plodov či iné reprodukčné poškodenia. Niekoľko príkladov takýchto chemických látok:

- olovo z náterov na báze olova,
- kryštalický kremík z tehál, cementu a iných murárskych produktov,
- arzén a chróm z chemicky ošetreného dreva.

Riziko pre vás následkom takéhoto vystavenia sa môže líšiť v závislosti od toho, ako často vykonávate tento typ prác. Redukcia rizika: pracujte v dobre vetraných priestoroch a pracujte so schváleným bezpečnostným príslušenstvom, ako sú protiprachové masky, ktoré sú špeciálne určené na odfiltrovanie mikroskopických častíciok.

ELEKTRICKÉ

Použite len 3 žilové predĺžovacie káble, ktoré majú 3 vidlicové uzemnené zástrčky a 3 pólové zásuvky, ktoré sú kompatibilné so zástrčkou výrobku. Keď používate elektrický nástroj vo väčšej vzdialenosti od napájania, použite predĺžovací kábel s dostatočnými parametrami, aby bol schopný prenášať prúd, ktorý výrobok odoberá. Predĺžovací kábel s nedostatočnými parametrami spôsobí pokles napätia vo vedení a výsledkom bude strata výkonu, čo spôsobí prehriatie motora.

Pred použitím predĺžovacieho kábla, skontrolujte, či na ňom nie sú uvoľnené alebo obnažené drôty a prerušená alebo opotrebovaná izolácia.

VAROVANIE

Predĺžovací kábel nedávajte do pracovného priestoru. Kábel umiestnite tak, aby sa nezachytil na rezive, nástrojoch či iných prekážkach, kým pracujete s elektrickým nástrojom. V opačnom prípade by mohlo dôjsť k závažnému osobnému poraneniu.

VAROVANIE

Pred každým použitím skontrolujte predĺžovacie káble. V prípade poškodenie ihneď vymeňte. Nikdy nepoužívajte nástroj s poškodeným káblom, lebo pri dotyku s poškodenou oblasťou by mohlo dôjsť k úrazu elektrickým prúdom a následnému vážnemu poraneniu.

ELEKTRICKÁ PRÍPOJKA

Tento výrobok poháňa presný elektrický motor. Musí sa pripájať výhradne do zdroja napájania striedavého prúdu 220~240 V, 50 Hz (bežný rozvod domácnosti). Nikdy nepoužívajte zariadenie zapojené do jednosmerného prúdu. Výrazný pokles napätia zapríčini pokles výkonu a motor sa bude prehrievať. Ak zariadenie nefunguje po zapojení do zásuvky, dvakrát skontrolujte zdroj napätia.

RÝCHLOSŤ A ELEKTRICKÉ VEDENIE

Táto rýchlosť nie je konštantná a pri záraží alebo nižšom napätí klesá. Pre napätie je elektrické vedenie v dielni rovnako dôležité ako menovitý výkon motora. Vedenie určené len pre svetlá nedokáže správne utiahnuť motor elektrického nástroja. Vodič, ktorý je dostatočne dimenzovaný na krátke vzdialenosti, bude nedostatočný na dlhšie vzdialenosti. Vedenie, ktoré postačuje na jeden elektrický nástroj, nemusí byť dostatočné pre dva alebo tri nástroje.

POKYNY K UZEMNENIU

V prípade nefunkčnosti alebo poruchy uzemnenie poskytuje dráha pre najmenší odpor pre elektrický prúd, čím sa zníži riziko zasiahnutia elektrickým prúdom. Tento produkt je vybavený elektrickou šnúrou, ktorá má uzemňovací zberač a uzemňovaciu zástrčku. Zástrčka sa musí zapíjať do vhodnej zásuvky, ktoré je správne

namontovaná a uzemnená v súlade s miestnymi kódmi a nariadeniami.

Zástrčku neupravujte. Ak sa nebude hodiť do zásuvky, nechajte si profesionálnym elektrikárom namontovať vhodnú zásuvku. Nesprávne zapojenie uzemňovacieho vodiča prístroja môže mať za následok riziko úrazu elektrickým prúdom. Vodič, ktorý ma vonkajší povrch izolácie zelenej farby so žltými pásmi alebo bez nich, je uzemňovací vodič. V prípade, ak je nutná oprava alebo výmena elektrického kábla alebo zástrčky, nepripájajte uzemňovací vodič k svorke pod napätím.

Poškodenú alebo opotrebovanú šnúru ihneď opravte alebo vymeňte.

ODPORUČANÉ PRÍSLUŠENSTVO**VAROVANIE**

Používajte iba príslušenstvo, ktoré je odporúčané pre tento výrobok.

Postupujte podľa pokynov, ktoré sú dodávané spolu s príslušenstvom. Použitie nesprávneho príslušenstva môže spôsobiť riziká.

- Vrták
- Upínacie svorky
- Zveráky na stĺpové vrtačky

VAROVANIE

Používajte iba príslušenstvo, určené pre tento výrobok, aby ste predišli zraneniam z odletených zlomených dielov alebo obrobkov.

Nepoužívajte žiadne príslušenstvo, kým si úplne neprečítate pokyny alebo návod na jeho používanie.

OBSAH BALENIA**VYBALENIE A KONTROLA OBSAHU****VAROVANIE**

Ak je akákoľvek časť tohto výrobku poškodená alebo chýba, nezapájajte ho, až kým nebude chýbajúca alebo poškodená časť vymenená a zostava nebude kompletná.

Opatrne vybalte výrobok a všetky jeho súčasti a porovnajte zo zoznamom uvedeným nižšie.

Na ochranu výrobku pred vlhkosťou bola na všetky opracované povrchy nanosená ochranná vrstva. Odstráňte túto vrstvu s mäkkou handričkou navlhčenou v petroleji alebo mazive WD-40.

VAROVANIE

Aby sa predišlo požiaru alebo toxickej reakcii, nikdy nepoužívajte na čistenie výrobku benzín, naftu, acetón, riedidlo na lak alebo podobné vysoko prchavé rozpúšťadlá.

Na ochranu pred koróziou naneste na stôl, stĺp a opracované časti základne vrstvu voskovacej pasty. Všetky diely starostlivo utrite s čistou suchou handričkou.

Položka	Popis	Množ.
1	Hlava vŕtačky	1
2	Doska	1
3	Základňa	1
4	Ozubená tyč	1
5	Stĺp vŕtačky	1
6	Vodiaci krúžok ozubenej tyče	1
7	Páky posuvu	3
8	Závitovkové koleso	1
9	Zaistovacia rukoväť stola	1
10	Kľuka zdvíhu stola	1
11	Šesťhranné skrutky	3
12	Skľučovadlo	1
13	Kľúč skľučovadla	1
14	Imbusový kľúč 4 mm	1
15	Imbusový kľúč 3 mm	1

MONTÁŽ A NASTAVENIE

VAROVANIE

Pre svoju vlastnú bezpečnosť nikdy nezapájajte zástrčku do zásuvky elektrického vedenia, pokiaľ ste nedokončili všetky kroky montáže a neprečítali si a neporozumeli všetkým bezpečnostným a prevádzkovým pokynom.

VAROVANIE

Výrobok patrí medzi ťažké elektrické nástroje a na bezpečnú montáž musí byť zdvíhaný aspoň dvomi alebo viacerými osobami.

NAMONTOVANIE STĽPA NA ZÁKLADŇU

Pozrite si obrázok 5.

1. Položte základňu na rovný, pevný povrch.
2. Zarovnajte otvory na skrutky v stĺpe vŕtačky s otvormi na skrutky v základni.

3. Vložte do každého otvoru šesťhrannú skrutku.
4. Dotiahnite každú skrutku pomocou nastaviteľného kľúča.

MONTÁŽ STOLA NA STĽP VŔTAČKY

Pozri obrázky 6-10.

1. Vložte zaistovovaciu rukoväť držiaka stola do závitového otvoru v zadnej časti držiaka stola.
POZNÁMKA: Namontujte rukoväť zľava doprava, čím sa dostane najprv na nezávitovú stranu držiaka stola.
2. Nasadíte na závitovkové koleso držiaka stola kľuku na zdvih stola. Ubezpečte sa, že závitovkové koleso zapadá do vnútorného prevodu.
POZNÁMKA: Neodstraňujte mazivo zo závitovkového kolesa.
3. Zasuňte ozubenú tyč do drážky v držiaku stola tak, aby ozubenie smerovalo von a dlhší hladký koniec smeroval hore. Závitovkové koleso musí zapadať do ozubenej tyče.
4. Pomocou oboidvoch rúk nasúvajte kompletný stôl a ozubenú tyč na stĺp, až kým spodná časť závitovej tyče nebude uložená v objímke základne na stĺpe.
5. Uťahnite zaistovovaciu rukoväť držiaka stola, aby ste zaistili stôl na stĺpe.
POZNÁMKA: Dávajte pozor, aby ste rukoväť nepriťahli príliš.
6. Nasúvajte vodiaci krúžok ozubenej tyče skosenou stranou dole, až kým skosená strana nezapadne na skosený koniec ozubenej tyče.
7. Pomocou imbusového kľúča dotiahnite nastavovaciu skrutku v objímke. Neuťahujte príliš nastavovaciu skrutku, aby ste zabránili poškodeniu stĺpa alebo objímky.
POZNÁMKA: Stôl by sa vám mal dať posúvať zo strany na stranu.
8. Namontujte kľuku zdvíhu stola na koniec závitovkového kolesa tak, aby plochá strana hriadeľa bola v rovne s nastavovacou skrutkou.
9. Nastavovaciu skrutku dotiahnite pomocou imbusového kľúča.

MONTÁŽ HLAVY

Pozrite si obrázok 11.

VAROVANIE

Hlava stĺpovej vŕtačky je ťažká a pre bezpečné montáž hlavy vŕtačky na stĺp ju musia dvíhať dve osoby.

1. Umiestnite hlavu na stĺp so skľučovadlom umiestneným nad stolom.
POZNÁMKA: Produkt je ťažký. Zabezpečte si pomoc pre prípad potreby.
2. Nasuňte hlavu dole tak hlboko ako sa bude dať. Zarovnajte stôl so základňou a dotiahnite dve nastavovacie skrutky hlavy imbusovým kľúčom.



MONTÁŽ PÁK POSUVU

Pozrite si obrázok 12.

1. Pripevnite tri páky posuvu priskrutkovaním do závitových otvorov v náboji páky.

MONTÁŽ SKĽUČOVADLA

Pozri obrázky 13-15.

VAROVANIE

Pred každým namontovaním skľučovadla do hlavy stĺpovej vŕtačky, očistite všetky dosadacie plochy prípravkom, ktorý nebol vyrobený na báze ropy. Akýkoľvek olej alebo mazadlo, použité pri zabalení týchto častí, musí byť odstránený, inak by počas prevádzky mohlo dôjsť k uvoľneniu skľučovadla.

1. Vyčistite kužeľový otvor v skľučovadle s čistou handričkou a čistiacim prostriedkom, neobsahujúcim alkohol. Starostlivo utrite všetky zvyšky oleja a akékoľvek nečistoty alebo špinu.
2. Rovnakým spôsobom, opísaným vyššie, vyčistite skosené plochy na vretene.
POZNÁMKA: Ubezpečte sa, že na plochách nie sú prilepené žiadne cudzie častice. Aj ten najmenší kúsok nečistoty alebo oleja, nachádzajúcich sa na niektorej z týchto plôch, zabráni správne dosadeniu skľučovadla. Toto spôsobuje rozkmitanie skľučovadla a vŕtáka.
3. Umiestnite skľučovadlo na vreteno. Skľučovadlo musí byť úplne otvorené, aby nedošlo k poškodeniu čelusti.
4. Uvoľnite zaistenie opory stola a odkloňte stôl od spodnej časti skľučovadla.
5. Vložte skľučovadlo do vretena a zatlačte ho hore, pokiaľ sa to dá.
6. S použitím kúska odpadového dreva na ochranu skľučovadla, pevne priklepte gumeným kladivom alebo kladivom skľučovadlo na miesto.

UPOZORNENIE

Nebezpečenstvo poškodenia majetku. Nikdy nepriklepávajte skľučovadlo na vreteno s kovovým kladivkom, aby ste nepoškodili skľučovadlo.

DEMONTÁŽ SKĽUČOVADLA

1. Otočte páky posuvu nižšie, aby sa dostalo skľučovadlo do najnižšej polohy.
2. Umiestnite sťahovač guľového kľbu (nie je zobrazené) nad skľučovadlo a zľahka poklepte kladivkom alebo gumenou paličkou, čo spôsobí, že skľučovadlo vypadne z vretena.
POZNÁMKA: Nikdy neudierajte priamo po skľučovadle kladivkom alebo drevenou paličkou.
POZNÁMKA: Aby ste zabránili možnému poškodeniu skľučovadla, najprv čo najviac zdvihnite čeluste a budete pripravení zachytiť vypadnuté skľučovadlo.

MONTÁŽ STĽPOVEJ VŔTAČKY NA PRACOVNÚ PLOCHU.

Pozrite si obrázok 16.

Ak sa bude výrobok používať na stálom mieste, pripevnite ho na pracovný stôl alebo pevný povrch.

Ak sa bude výrobok používať ako prenosné náradie, pripevnite ho natrvalo na montážnu dosku, ktorá sa dá ľahko upnúť na pracovný stôl alebo inú nosnú plochu. Montážna doska by mala byť dostatočne veľká, aby sa zabránilo prevráteniu počas používania výrobku. Odporúča sa akákoľvek kvalitná preglejka alebo drevotriesková doska s hrúbkou 19 mm (3/4").

1. Označte si otvory na ploche, na ktorú bude stĺpová vŕtačka pripevnená, s využitím otvorov v základni vŕtačky ako šablóny pre otvory.
2. Vyvŕtajte otvory do montážnej plochy.
3. Položte stĺpovú vŕtačku na montážnu plochu, zarovnajte otvory v základni s vyvŕtanými otvormi v montážnej ploche.
4. Vložte skrutky (nie sú súčasťou dodávky) a pevne dotiahnite s poistnými podložkami a šesťhrannými maticami (nie sú súčasťou dodávky).

Pri použití kotevných skrutiek sa uistite, že sú dostatočne dlhé, aby prešli cez otvory v základni vŕtačky a materiál, na ktorý bude vŕtačka namontovaná. Pri použití strojových skrutiek sa uistite, že sú dostatočne dlhé, aby prešli cez otvory v základni vŕtačky, materiál, na ktorý bude vŕtačka namontovaná, poistné podložky a šesťhranné matice.

POZNÁMKA: Všetky skrutky musia byť vložené zvrchu. Namontujte poistné podložky a šesťhranné matice zo spodku pracovného stola.

Po bezpečnom pripevnení výrobku na pevný povrch:

1. Skontrolujte vibrácie pri zapnutom motore ON.
2. V prípade potreby nastavte a znovu dotiahnite namontované súčiastky.
3. Skontrolujte stôl vŕtačky na zabezpečenie plynulého posuvu hore a dole po stĺpe.
4. Skontrolujte na zabezpečenie plynulého pohybu hriadeľa vretena.

USCHOVANIE KLÚČA SKĽUČOVADLA

Pozrite si obrázok 17.

Držiak na uschovanie kľúča skľučovadla je umiestnený na ľavej strane výrobku.

ŠIKMÉ VŔTANIE

Pozrite si obrázok 18.

POZNÁMKA: Mierka skosenia sa dá použiť na meranie približných šikmých uhlov. V prípade potreby presného merania na umiestnenie stola, musí byť použitý kombinovaný uholmer alebo iné meradlo. Na použitie mierky skosenia:

1. Utiahnite maticu na poistnom kolíku, pomocou 10 mm kľúča alebo nastaviteľného kľúča v smere hodinových ručičiek, aby sa kolík uvoľnil z podpory stola. Tento kolík bude potrebný pri umiestňovaní stola naspäť na svoje nastavenie na 0 stupňov od

EN
FR
DE
ES
IT
NL
PT
DA
SV
FI
NO
RU
PL
CS
HU
RO
LV
LT
ET
HR
SL
SK
BG
UK
TR
EL



- podpery stola. Nevyhadzujte ho.
- Uvoľnite veľkú šesťhrannú hlavu zaisťovacej skrutky nastavenia sklonu stola pomocou 17 mm kľúča alebo nastaviteľného kľúča.
 - Nakloňte stôl, nastavením požadovaného uhlu merania na nulovú čiaru naproti stupnici.
 - Utiahnite zaisťovaciu skrutku nastavenia sklonu stola.
 - Na návrat stola do pôvodnej polohy uvoľnite zaisťovaciu skrutku nastavenia sklonu stola. Vráťte stôl do polohy 0°.
 - Vráťte maticu na zaisťovací kolík na vonkajší koniec závitú. Pomocou gumeného kladivka jemne priklepnite zaisťovací kolík, až kým nedosadne do protiahlého otvoru držiaka stola. Dotiahnite maticu rukou.

POZNÁMKA: Stôl bol z obrázku odstránený kvôli prehľadnosti.

VAROVANIE

Vždy odpojte zástrčku zo zdroja napájania pri vykonávaní akýchkoľvek nastavení, aby ste zabránili zraneniu osôb.

VRETIENO/HRIADEĽ

Pozrite si obrázok 20.

Otáčajte páky posuvu proti smeru hodinových ručičiek, aby ste spustili vreteno do jeho najnižšej polohy. Podržte skľučovadlo a pohnite ho spredu dozadu. Ak je prítomná veľká vôľa, pokračujte podľa nasledovných nastavení:

- Uvoľnite poistnú maticu, ktorá sa nachádza na pravej strane výrobku, pomocou 10 mm kľúča.
- Otočte skrutku proti smeru hodinových ručičiek, aby ste odstránili vôľu, použitím skrutkovača s drážkou, bez narušovala vzostupný pohyb vretene. (Malá vôľa vo vretene je normálna.)
- Dotiahnite poistnú maticu.

VRATNÁ PRUŽINA HRIADEĽA

Pozrite si obrázok 21.

Ak je návratová rýchlosť hriadeľa príliš rýchla alebo príliš pomalá, bude treba nastaviť vratnú pružinu hriadeľa. Táto pružina sa nachádza na ľavej strane hlavy vrtáčky.

- Znížte stôl na vznik väčšieho voľného priestoru.
- Vložte skrutkovač do spodnej prednej drážky krytu pružiny. Podržte ho na mieste, kým uvoľníte a stiahnete vonkajšiu poistnú maticu pomocou 10 mm kľúča.
- So skrutkovačom stále vloženým v drážke, uvoľníte vnútornú maticu len dovtedy, pokiaľ sa skrutka neodpojí od výčnelku na hlave stĺpovej vrtáčky.

POZNÁMKA: Nestahujte túto vnútornú maticu, pretože by sa pružina mohla nevratne rozvinúť.

- Opatrne otáčajte kryt pružiny proti smeru hodinových ručičiek so skrutkovačom, zasunutým do ďalšej drážky.
- Spúšťajte hriadeľ do jeho najnižšej polohy otočením páky posuvu proti smeru hodinových ručičiek, zatiaľ

čo udržiavate kryt pružiny na mieste.

- Ak sa hriadeľ posúva hore a dole tak, ako ste si želali, dotiahnite s kľúčom súčasne vnútornú maticu proti krytu pružiny a kryt pružiny. Ak je príliš uvoľnený, opakujte kroky 3 až 5 na utiahnutie. Ak je príliš dotiahnutý, naopak, opakujte kroky 4 a 5.
- Kľúčom zaisťte vonkajšiu maticu oproti vnútornej matici.

POZNÁMKA: Neutahujte príliš ani neobmedzujte pohyb hriadeľa.

NAPNUTIE REMEŇA

Pozrite si obrázok 22.

- Otvorte kryt remenice.
- Na uvoľnenie napnutia remeňa otáčajte zaisťovací otočný gombík napnutia remeňa na pravej strane hlavy vrtáčky proti smeru hodinových ručičiek.
- Potiahnite motor smerom k prednej časti výrobku, aby sa uvoľnilo napnutie remeňa.
- Položte remeň na správne stupienky remenice pre požadovanú rýchlosť.
- Posúvajte motor od hlavy vrtáčky, až kým nebude remeň správne napnutý.

POZNÁMKA: Remeň je správne napnutý, ak sa pri jeho stlačení v strede vychýli približne 13 mm (1/2 ").

- Dotiahnite zaisťovací otočný gombík napnutia remeňa, na zaistenie polohy motora. Zatvorte kryt remenice.

KONTROLA/NASTAVENIE LASEROVÉHO ZAMERANIA

Výrobok je vybavený laserom Laser Trac®.

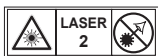
Laserový lúč vám umožní predbežne zobrazíť dráhu vrtania na obrobocku, do ktorého sa bude vrtáť ešte pred spustením procesu.

VAROVANIE

Vyhýbajte sa priamemu očnému kontaktu

Laserové svetlo svieti, keď je laserové vodidlo zapnuté. Vyhýbajte sa priamemu očnému kontaktu. Vždy odpojte výrobok od zdroja elektriny predtým, ako začnete vykonávať akékoľvek nastavenia.

- Laserový ukazovateľ nie je hračka a nesmie sa dostať do rúk detí. Nesprávne použitie tohto spotrebiča môže viesť k nevratnému poškodeniu zraku.
- Akákoľvek úprava na zvýšenie výkonu lasera je zakázaná.
- Pri použití laserového ukazovateľa nesmerujte laserový lúč na ľudí alebo plochy s reflexným povrchom. Laserový lúč aj s nízkou intenzitou môže spôsobiť poškodenie zraku. Nepozerajte priamo do laserového lúča.
- Laserový ukazovateľ nezahŕňa žiadne servisné komponenty. Nikdy neotvárajte kryt s cieľom opravy alebo nastavenia.
- Výstražné štítky pre laser:



- Výstražné štítky neodstraňujte ani nepoškodzuje. Odstránením štítkov sa zvyšuje nebezpečenstvo vystavenia sa radiácie.
- UPOZORNENIE: Pri používaní ovládacích prvkov alebo nastavení, alebo pri vykonávaní iných ako tu uvedených procedúr, môže vzniknúť riziko nebezpečného vystavenia vyžarovaniu.
- Nepokúšajte sa opravovať alebo rozoberať laserové zameriavanie. Ak sa nekvalifikovaná osoba pokúša opraviť tento laserový výrobok, môže to spôsobiť vážne poranenie. Každá nevyhnutná oprava tohto laserového výrobku musí byť vykonávaná pracovníkmi autorizovaného servisného strediska.
- UPOZORNENIE: Používanie optických prístrojov s týmto výrobkom zvyšuje riziko poškodenia zraku.

VAROVANIE

Nepoužívať tónované sklá na zlepšenie laserové svetla. Tónované sklá znižujú celkovú viditeľnosť pri použití a narušujú normálnu prevádzku nástroja.

VAROVANIE

Laserové vyžarovanie. Nikdy nezameriavajte lúč na obrobok s reflexným povrchom. Jasný lesklý reflexný oceľový plech alebo podobné reflexné povrchy nie sú vhodné na použitie lasera. Reflexný povrch by mohol laserový lúč odraziť smerom k obsluhu či iným osobám.

NASTAVENIE LASEROVÝCH ČIAR

Pozrite si obrázok 23.

Skontrolujte zameranie lasera, aby ste si boli istí, že priesečník laserových čiar je presne na mieste, kde sa vrták dotýka obrobku. V opačnom prípade musia byť laserové čiary nastavené pomocou nastavovacích gombíkov lasera, umiestnených na protiláhlych stranách hlavy vrtáčky.

1. Označte „X“ na kúsku odpadového dreva.
2. Vložte malý vrták do skľučovadla a zarovnajete jeho hrot na priesečník čiar „X“.
3. Zaisťte dosku k stolu.
4. Zapnite laserové vodidlo a preverte, či sú laserové čiary zarovnané s „X“ na obrobku.
5. V prípade, že čiary nie sú zarovnané, povoľte nastavovacie skrutky na každom z laserových krytov a imbusovým kľúčom otáčajte nastavovacie gombíky lasera, až kým sa čiary nestretnú v strede „X“. Na zaistenie znovu dotiahnite nastavovacie skrutky.

PREVÁDZKA

VAROVANIE

Dbajte na to, aby vaša blízka znalosť tohto zariadenia nespôsobila neadbale používanie. Zapamätajte si, že sekunda nepozornosti môže spôsobiť vážne zranenie.

VAROVANIE

Pri práci s nástrojmi vždy používajte ochranné okuliare alebo ochranné okuliare s bočnými chráničmi. V opačnom prípade to môže spôsobiť, že úlomky vám vletia do očí, čo môže zapríčiniť vážne zranenie.

VAROVANIE

Nepoužívajte žiadne príslušenstvo, ktoré nie je odporúčané výrobcom tohto produktu. Pri použití príslušenstva, ktoré neodporúča výrobca, môže dôjsť k vážnemu osobnému zraneniu.

VAROVANIE

Aby ste predišli možnému zraneniu, udržujte ochranný kryt zatvorený počas prevádzky nástroja.

ZMENA RÝCHLOSTI A UMIESTNENIE REMEŇA

Pozrite si obrázok 24.

Rýchlosť vretena je určovaná umiestnením remeňa na remeničiach vnútri hlavy vrtáčky. Tabuľka rýchlostí je umiestnená z vnútornej strany krytu hlavy vrtáčky a uvádza odporúčanú rýchlosť a nastavenie remenice pre každú operáciu vrtania.

Na zmenu rozloženia remenice:

1. Zdvihnite kryt remenice.
2. Povoľte napínaviu skrutku.
3. Vyberte remeň.
4. Znovu nasadte remeň podľa tabuľky rýchlostí.
5. Znovu dotiahnite napínaviu skrutku.

POZNÁMKA: Pozrite si časť „Odporúčané rýchlosti vrtania“ pre určenie veľkosti vrtáka a odporúčanej rýchlosti vrtania.

ODPORÚČANÁ RÝCHLOSŤ VRTANIA

Priemer vrtáka (Veľkosť v palcoch)	Materiál		
	Drevo Plasty	Hliník Zinok Mosadz	Železo Oceľ

1/16	2430	2430	2430
1/8			1800
3/16			1300
1/4			800
5/16			800
3/8	1800	800	510
1/2	1800	800	510

Hlavný spínač

Pozrite si obrázok 25.

Zapnutie nástroja:

1. Stlačte tlačidlo zapnúť ON (I).

Vypnutie nástroja:

1. Stlačte tlačidlo vypnúť OFF (O).

VAROVANIE

Vždy, pred zapnutím vypínača na spustenie výrobku preverte, či sa obrobok nedotýka hrotu vrtáka. Pri nedodržaní tejto výstrahy by mohlo dôjsť k vykopnutiu obrobku smerom k obsluhujúcej osobe a následnému poraneniu osôb.

MONTÁŽ A DEMONTÁŽ VRTÁKOV

Pozrite si obrázok 26.

1. Odpojte výrobok z elektrickej siete.
2. Otvorte alebo zavrite čeluste skľučovadla do bodu, kde je otvor o trochu väčší, ako vrták, ktorý chcete použiť.
3. Vložte vrták do skľučovadla po celej dĺžke čelustí.

VAROVANIE

Nevkladajte a neťahajte vrták do čelustí skľučovadla, ako je zobrazené na obrázku č. 19. Mohlo by to spôsobiť vyletenie vrtáka z výrobku, čo by mohlo priviesť k vážnemu zraneniu osôb alebo poškodeniu skľučovadla.

4. Pevne dotiahnite čeluste skľučovadla použitím priloženého kľúča skľučovadla. Na utahovanie alebo uvoľňovanie čelustí skľučovadla nepoužívajte francúzsky kľúč.
5. Vyberte kľúč skľučovadla.
6. Na demontáž vrtáka postupujte podľa krokov uvedených vyššie v opačnom poradí.

VAROVANIE

Aby ste zabránili zraneniu alebo nehode pri násilnom vyberaní kľúča skľučovadla zo skľučovadla pri zapnutom tlačidle napájania „ON“, používajte iba samovysúvací kľúč skľučovadla, dodávaný s touto stĺpovou vrtačkou. Vždy, pred zapnutím tlačidla napájania „ON“, znovu skontrolujte a vyberte kľúč skľučovadla. Po použití vložte kľúč skľučovadla do jeho držiaka na uschovanie.

VRTANIE DO URČITEJ HĽBKY

Vyvítanie slepého otvoru (nie prevrtanie cez celý obrobok) na danú hĺbku je možné vykonať dvomi spôsobmi:

Spôsob označenia na obrobku

Pozrite si obrázok 27.

1. Označte si hĺbku otvoru na bočnej strane obrobku.
2. S vypnutým vypínačom v polohe „OFF“, posuňte vrták dole, pokiaľ hrot vrtáka nedosiahne úrovne označenia.
3. Držte páky posuvu v tejto polohe.
4. Otáčajte spodnú maticu dole, až kým sa nedotkne hĺbkového dorazu na hlave.
5. Otáčajte hornú maticu dole a dotahujte proti spodnej matici.
6. Vrták sa teraz zastaví po prejdení vzdialenosti označenej na obrobku.

Spôsob využitia stupnice hĺbky

Pozrite si obrázok 28.

POZNÁMKA: So skľučovadlom v hornej polohe sa špička hrot vrtáku musí len tesne prechádzať nad vrchnú časť obrobku.

1. S vypnutým vypínačom v polohe „OFF“, otočte páku posuvu až bude ukazovateľ ukazovať na požadovanú hĺbku na stupnici hĺbky a držte páku posuvu v tejto polohe.
2. Otáčajte spodnú maticu dole, až kým sa nedotkne hĺbkového dorazu.
3. Otáčajte hornú maticu oproti matici spodného dorazu a utiahnite
4. Vrták sa zastaví po prejdení vzdialenosti vybranej na stupnici hĺbky.

Vrtanie otvoru

1. Použitím jamkovača alebo ostrého klinca vytvorte jamku na obrobku, kde chcete začať vrtáť.
2. Zapnite laserové vodidlo a preverte, či sú laserové čiary zarovnané s „X“ na obrobku.
3. Zapnite vypínač a potiahnite dole rukoväť posunu na vytvorenie dostatočnej sily na vrtanie.

Príliš rýchle posúvanie môže spôsobiť, že sa remeň alebo vrták zošmyknú, trhnutím sa uvoľní obrobok alebo sa zlomí vrták.

Pri vrtaní kovu bude potrebné namazať špičku hrotu olejom na vrtanie do kovu, aby sa zabránilo nadmernému prehriatiu.



PRE VAŠU OCHRANU

VAROVANIE

Aby ste predišli vŕtahnútiu do elektrického náradia, nenoste voľné oblečenie, rukavice, kravaty alebo šperky. Vždy si zviažte dozadu dlhé vlasy.

1. Ak akákoľvek časť vášho výrobku chýba, je nefunkčná, poškodená alebo rozbitá, okamžite zastavte prevádzku, až kým táto časť nebude opravená alebo vymenená.
2. Nikdy nenechávajte prsty v polohe, v ktorej by sa mohli dostať do kontaktu s vŕtákom alebo iným rezným nástrojom. Obrobok by sa mohol neočakávane posunúť, alebo by sa vám mohla pošmyknúť ruka.
3. Aby sa zabránilo vytrhnutiu obrobku z vašich rúk, vyleteniu obrobku, pretočeniu nástroja alebo rozlomeniu obrobku, vždy správne podoprite obrobok nasledovným spôsobom:
 - Vždy umiestnite podkladový materiál (používaný pod obrobok) tak, aby sa dotýkal ľavej strany stĺpa.
 - Vždy, keď je to možné, umiestnite obrobok tak, aby sa dotýkal ľavej strany stĺpa. Ak je obrobok príliš krátky alebo stôl je naklonený, upnite ho pevne k stolu pomocou drážok v stole.
 - Pri používaní zverákov na vŕtačku (nie je súčasťou dodávky), vždy ho utiahnite ku stolu.
 - Nikdy nevykonávajte žiadnu prácu od ruky (rukou radšej pridržiavajte obrobok, ako sa ňou opierať o stôl), s výnimkou leštenia a brúsenia.
 - Pred spustením vŕtačky bezpečne zaistíte hlavu a oporu stĺpa, rameno stola k opore a stôl k ramenu stola.
 - Nikdy neposúvajte hlavu alebo stôl, kým je nástroj spustený.
 - Pred spustením vŕtania, stlačte motorový vypínača preverte, či sa hrot vŕtáka alebo ďalšie rezné nástroje nekývajú alebo nekmítajú.
 - Ak obrobok prečnieva cez stôl tak, že by mohol bez držania spadnúť alebo sa prevrátiť, upnite ho na stôl, alebo zabezpečte pomocnú podporu.
 - Používajte upínacie svorky na neštandardné operácie na primerané pridržanie, vedenie a polohovanie obrobku.
 - Použite rýchlosť skľučovadla, odporúčanú na konkrétne operácie a materiál obrobku. Skontrolujte tabuľku z vnútornej strany krytu remenice alebo si pozrite časť „Odporúčaná rýchlosť vŕtania“, ak potrebujete informácie o rýchlosti vŕtania. Ak potrebujete informácie o príslušenstve, pozrite si pokyny, dodávané s každým príslušenstvom.
4. Nikdy nestúpajte na stojanovú vŕtačku, mohla by sa polámať alebo stiahnuť celú vŕtačku na vás.
5. Predtým ako odídete od výrobku, vypnite vypínač napájania do polohy „OFF“ a vytiahnite zo zásuvky.
6. Aby ste sa vyhlížli zraneniu z vyleteného obrobku

alebo z kontaktu z nástrojom, nevykonávajte zameriavacie, montážne alebo nastavovacie práce na stole, pokiaľ je obrábací nástroj otáča.

NASTAVENIE STOLA A OBROBKU

Pozrite si obrázok 29-30.

1. Zaistíte stôl na stĺpe v takej polohe, aby sa vŕták nachádzal len tesne nad vrchnou časťou obrobku.
2. Vždy položte na stôl pod obrobok podkladový materiál (odpadové drevo). Zabráni sa tým štiepeniu alebo vytvoreniu hrubých okrajov na spodnej strane obrobku. Aby sa predišlo otáčaniu podkladového materiálu, musí umiestnený oproti ľavej strane stĺpa.
3. Na podopretie prevísajúceho obrobku použite vhodné prostriedky.

VAROVANIE

Aby ste predišli vyhadzovaniu obrobku alebo podkladového materiálu počas vŕtania, **MUSÍTE** umiestniť obrobok oproti ľavej strane stĺpa. Ak obrobok alebo podkladový materiál nie je dostatočne dlhý, aby dosiahol stĺp, upnite ich k stolu na podopretie obrobku. Nezaistenie obrobku môže mať za následok zranenie osôb.

VAROVANIE

Stĺpová vŕtačka musí byť prichytená svorkami alebo priskrutkovaná k stolu, aby sa predišlo zraneniu z rotujúceho obrobku, alebo poškodeniu častí zveráku alebo vŕtáku.

MIESTO UCHYTENIA A VŕTANIA

1. Použitím jamkovača alebo ostrého klinca vytvorte jamku na obrobku, kde budete vŕtať.
2. Zapnite laserové vodidlo a preverte, či sú laserové čiary (x) zarovnané so zárezom, predtým ako spustíte vŕtačku ON.

NAKLÁŇANIE STOLA

Pozrite si obrázok 31.

POZNÁMKA: Podpera stola má predvŕtaný otvor s vloženým zaisťovacím kolíkom na zaistenie stola na šikmý uhol 0°.

1. Utiahnite maticu na poistnom kolíku pomocou 10 mm kľúča alebo nastaviteľného kľúča v smere hodinových ručičiek, aby sa kolík uvoľnil z podpory stola. Tento kolík bude potrebný pri umiestňovaní stola naspäť na svoje nastavenie na 0 stupňov od podpory stola.
2. Uvoľnite veľkú šesťhrannú hlavu zaisťovacej skrutky nastavenia sklonu stola pomocou 17 mm kľúča alebo nastaviteľného kľúča.



VAROVANIE

Aby ste predišli zraneniu, je potrebné zabezpečiť uchytenie stola a ramena stola tak, aby sa neotáčali alebo nenakláňali.

3. Nakloňte stôl, nastavením požadovaného uhlu merania na nulovú čiaru naproti stupnici.
4. Uťahnite zaisťovaciu skrutku nastavenia sklonu stola.
5. Na návrat stola do pôvodnej polohy uvoľnite zaisťovaciu skrutku nastavenia sklonu stola. Vráťte stôl do polohy 0°.
6. Vráťte maticu na zaisťovací kolík na vonkajší koniec závitú. Jemne priklepnite zaisťovací kolík, až kým nedosadne do protiahlého otvoru držiaka stola. Dotiahnite maticu rukou.

VAROVANIE

Aby nedošlo k zraneniu, spôsobenému pretáčaním obrobku alebo zlomením nástroje, vždy pred spustením vŕtačky upnite obrobok a podkladový materiál bezpečne ku stolu.

POSÚVANIE

1. Potiahnite dole rukoväťe posunu na vytvorenie dostatočnej sily na vrtanie.
2. Príliš pomalé posúvanie môže spôsobiť rozžeravenie vrtáku. Príliš rýchle posúvanie môže spôsobiť, že sa remeň alebo vrták zošmyknú, trhnutím sa uvoľní obrobok alebo sa zlomí vrták.
3. Pri vŕtaní do kovu je potrebné namazať špičku hrotu olejom na vrtanie do kovu, aby sa zabránilo rozžeraveniu obrobku alebo vrtáku.

ÚDRŽBA

VAROVANIE

Pre svoju vlastnú bezpečnosť, vypnite vypínač OFF a vytiahnite zástrčku zo zásuvky elektrického zdroja pred vykonávaním údržby alebo mazaním stĺpovej vŕtačky.

Pravidelne vyfukujte pomocou vzduchového kompresora alebo vysávača akýkoľvek prach alebo kovové piliny vnútri motora, krytu remenice, stola a pracovnej plochy. Pri práci so zariadením vždy používajte ochranné okuliare.

VAROVANIE

Aby sa zabránilo riziku úrazu elektrickým prúdom alebo požiaru, v prípade, že napájací kábel je opotrebovaný alebo preseknutý akýmkoľvek spôsobom, nechajte ho ihneď vymeniť kvalifikovaným elektrikárom alebo servisným technikom.

MAZANIE

Všetky guľôčkové ložiská stĺpovej vŕtačky sú zabalené s mazivom do výrobcu. Nevyžadujú si žiadne ďalšie mazanie.

Pravidelne premazávajúte ozubené koleso a ozubenú tyč, zdvíhací mechanizmus stola vretena ozubenej tyče (zuby) hriadeľa. Spustite vreteno dole a naneste olej na objímku vretena v priemere každé tri mesiace.

PREPRAVA A SKLADOVANIE

Pozrite si obrázok 32.

Počas dopravy výrobku odpojte sieťový kábel a všetky diely bezpečne zaisťte. Pred zdvíhaním výrobku si pozrite obrázok 32 s vyznačením plôch na uchopenie.

Odložte zariadenie na bezpečné miesto, na ktoré nemajú prístup deti.

Pred uskladnením vyčistite produkt pomocou kefy alebo vysávača.

ZNAČKY



Budte ostražití



Európske označenie zhody



Britské označenie zhody



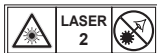
Ukrajinské označenie zhody



Euroázijská značka zhody



Pred spustením zariadenia si pozorne prečítajte tento návod.



Laserové vyžarovanie.
Nepozerajte priamo do lúča.
Laserový produkt Triedy 2



Nezavádzajte nástroje ani nepoužívajte vo vlhkom prostredí.



Noste ochranu sluchu



Vždy používajte chrániče zraku.



Kapacita skľučovadla



Zdvih vretena



Zarovnanie pri vŕtaní



Priemer vŕtáka (palce)



Drevo



Hliník
Zinok
Mosadz



Železo
Oceľ



Odpadové elektrické a elektronické zariadenia nelikvidujte ako netriedený komunálny odpad. Odpadové elektrické a elektronické zariadenia sa musia zbierať separovane. Odpadové svetelné zdroje treba z výrobu vybrať. Pokyny na recykláciu a miesta recyklácie zistíte u svojho miestneho orgánu alebo predajcu. Podľa miestnych predpisov môžu mať maloobchodníci povinnosť bezplatne prevziať odpadové elektrické a elektronické zariadenia. Váš príspevok k opätovnému použitiu a recyklácii odpadových elektrických a elektronických zariadení pomáha znižovať dopyt po surovinách. Odpadové elektrické a elektronické zariadenia obsahujú cenné a recyklovateľné materiály, ktoré môžu mať nepriaznivý vplyv na životné prostredie a ľudské zdravie, ak sa nelikvidujú ekologicky vhodným spôsobom. Odstráňte prípadné osobné údaje z odpadového zariadenia.

RIEŠENIE PROBLÉMOV

Problém	Možná príčina	Riešenie
Hlučná prevádzka.	<ol style="list-style-type: none"> 1. Nesprávne napnutie remeňa. 2. Skľučovadlo je suché. 3. Remenica vretena je uvoľnená. 4. Remenica motora je uvoľnená. 	<ol style="list-style-type: none"> 1. Nastavte napnutie. Pozrite si časť „Napnutie remeňa“. 2. Premažte vreteno. Pozrite si časť „Mazanie“. 3. Skontrolujte utiahnutie poistnej matice na remenici a v prípade potreby dotiahnite. 4. Dotiahnite nastavovaciu skrutku v remenici motora.
Vrtáky sa prepaľujú.	<ol style="list-style-type: none"> 1. Nesprávna rýchlosť. 2. Piliny nevychádzajú von z otvoru. 3. Vrták je tupý. 4. Posúvanie je príliš pomalé. 5. Nenamazané. 	<ol style="list-style-type: none"> 1. Zmeňte rýchlosť. Pozrite časť „Zmena rýchlosti a umiestnenie remeňa“. 2. Častejšie vyberanie vrtáka na vyčistenie pilín. 3. Prebrúsiť vrták alebo vymeniť za nový vrták. 4. Posúvajte dostatočne rýchlo - aby vrtáčka prerezala povrch. 5. Premažte vrtáčku. Pozrite časť „Posúvanie“.
Otvor po vrtaní má tvar diery nie kruhu.	<ol style="list-style-type: none"> 1. Tvrdé vlákna v dreve alebo dĺžky rezných strán alebo uhlov nie sú rovnaké. 2. Vrták je ohnutý. 	<ol style="list-style-type: none"> 1. Nabrúste vrták správne. 2. Vymeňte vrták.
Na spodnej strane sú drevené triesky.	<ol style="list-style-type: none"> 1. Pod obrobkom nie je žiadny podkladový materiál 	<ol style="list-style-type: none"> 1. Použite podkladový materiál. Pozrite si časť „Prevádzka“.
Obrobok sa uvoľňuje z ruky.	<ol style="list-style-type: none"> 1. Obrobok nie je správne podopretý alebo uchytený. 	<ol style="list-style-type: none"> 1. Obrobok podprite alebo ho upnite. Pozrite si časť „Prevádzka“.
Vrták sa zasekáva v obrobku.	<ol style="list-style-type: none"> 1. Obrobok zvierá vrták alebo nadmerný tlak pri posúvaní. 2. Nesprávne napnutie remeňa. 	<ol style="list-style-type: none"> 1. Obrobok podprite alebo ho upnite. Pozrite si časť „Prevádzka“. 2. Nastavte napnutie. Pozrite si časť „Napnutie remeňa“.
Nadmerné chvenie alebo hádzanie vrtáka.	<ol style="list-style-type: none"> 1. Vrták je ohnutý. 2. Ložiská sú opotrebované. 3. Vrták nie je správne namontovaný do skľučovadla. 4. Skľučovadlo nie je správne namontované. 	<ol style="list-style-type: none"> 1. Použite rovný vrták. 2. Vymeňte ložiská. 3. Namontujte vrták správne. Pozrite si časť „Prevádzka“ a „Montáž a nastavenie“. 4. Namontujte skľučovadlo správne. Pozrite si časť „Montáž skľučovadla“.
Hriadeľ sa vracia príliš pomaly alebo príliš rýchlo	<ol style="list-style-type: none"> 1. Vinutie pružiny má nesprávne napätie. 	<ol style="list-style-type: none"> 1. Nastavte napnutie pružiny. Pozrite si časť „Vratná pružina hriadeľa“.
Skľučovadlo nezostáva pripavené k vretenu. Vypadáva pri pokuse namontovania.	<ol style="list-style-type: none"> 1. Nečistoty, mazivo olej na kužeľovej vnútornej strane skľučovadla alebo na skosenom povrchu vretena. 	<ol style="list-style-type: none"> 1. Vyčistite kužeľový otvor v skľučovadle a odstráňte všetku špinu s čistiacim prostriedkom, neobsahujúcim alkohol. Pozrite si časť „Montáž skľučovadla“.

ОПИСАНИЕ

1. Глава
2. Маса
3. Основа
4. Зъбен гребен
5. Колона
6. Пръстен на зъбния гребен
7. Ръкохватки за подаване
8. Червячно колело
9. Ръкохватка за фиксиране на масата
10. Манивелна дръжка на масата
11. Шестостенни болтове
12. Патронник
13. Ключ за патронник
14. Шестограм 4 mm
15. Шестограм 3 mm
16. Оребрена отвертка
17. Регулируем гаечен ключ
18. Гаечен ключ 12 mm
19. Метален или гумен чук
20. Комбиниран ъгълник
21. Дървено блокче
22. Мотор
23. Лазерна глава
24. Цилиндрична бобина/пружина
25. Скоба на масата
26. Капак на ролката
27. Превключвател ПУСКАНЕ/СПИРАНЕ
28. Превключвател за лазера
29. Горен предпазител
30. Монтажни отвори
31. Фиксиращ винт на главата
32. Врътка за фиксиране на стегнатостта на ремъка
33. Държач на ключа на патронника
34. Ролка на шпиндела
35. Ролка на мотора
36. Подпора на масата
37. Отвор за манивелна дръжка на масата
38. Подпора на колоната
39. Стопорен винт
40. Глава
41. Стопорен винт за заключване на главата
42. Отвори с резба
43. Главина
44. Шпиндел
45. Болт x 2 (M12, не е включен в комплекта)
46. Фиксираща шайба x 4 (Dia. 12mm, не е включена в комплекта)
47. Гумена шайба x 2 (Dia. 12mm, не е включена в комплекта)
48. Плоска шайба x 2 (Dia. 12mm, не е включена в комплекта)
49. Контрагайка x 2 (M12, не е включена в комплекта)
50. Шестостенна гайка x 2 (M12, не е включена в комплекта)
51. Работна повърхност
52. Мащаб на скосяване
53. Фиксиращ болт за скосяване на масата
54. Гайка
55. Контра гайка
56. Винт
57. Долна предна направляваща бразда
58. Пружинна капачка
59. Външна контрагайка
60. Вътрешна гайка
61. Направляваща бразда
62. Главина на колело
63. Плашки на патронника
64. Накрайник за пробиване
65. Дълбочина
66. Показалец на мащаба на дълбочината
67. Мащаб на дълбочината
68. Горна гайка
69. Долна гайка
70. Гайка за фиксиране на дълбочината
71. Работен детайл

Безопасността, производителността и надеждността са аспектите, на които е отделен най-голям приоритет при проектирането на вашата колонна бормашина.

ПРЕДНАЗНАЧЕНИЕ

Колонната бормашина е предназначена за пробиване на дупки в дърво, пластмасата, алуминий и стомана.

Продуктът е предназначен да се използва от възрастни оператори, които са прочели ръководството с инструкции и разбират рисковете и опасностите.

Продуктът е проектиран да бъде фиксиран в основата си на твърд плот. Ако основата не е стабилно фиксирана, цялата машина може да се преобърне, да се плъзне или измести по поддържащата повърхност по време на работа, което увеличава възможността от сериозни физически наранявания.

Продуктът трябва да се използва на сухи места, с отлично осветление на обкръжаващата среда и подходяща вентилация.

Продуктът е предназначен за потребителска употреба, трябва да се използва само както е описано по-горе и не е предназначен за други цели.

ОСНОВНИ ПРЕДУПРЕЖДЕНИЯ ЗА БЕЗОПАСНОСТ ПРИ РАБОТА С ЕЛЕКТРИЧЕСКИ ИНСТРУМЕНТИ

⚠ ПРЕДУПРЕЖДЕНИЕ

Прочетете всички предупреждения за безопасност инструкции, илюстрации и спецификации, предоставени с този електрически инструмент. Неспазването на инструкциите, изброени по-долу, може да доведе до електрически удар, пожар и/или тежки физически травми.

Съхранявайте всички предупреждения и инструкции за бъдещи справки. Терминът "електрически инструмент" в предупрежденията се отнася за вашия инструмент - със запазване от електрическата мрежа (с кабел) или на батерия (безжичен).

БЕЗОПАСНОСТ НА РАБОТНАТА ЗОНА

- Поддържайте работното пространство чисто и добре осветено. Безпорядъкът или тъмнината в работното пространство са предпоставка за злополуки.
- Не използвайте електрически инструменти в експлозивни среди, например в присъствието на запалителни течности, газове или прах. По време на работа електрическите инструменти произвеждат искри, които могат да възпламенят прах или пари.
- Дръжте децата и страничните наблюдатели

далече, докато боравите с електрически инструмент. Ако вниманието ви бъде отклонено, може да загубите контрола над електрическия инструмент.

ЕЛЕКТРИЧЕСКА БЕЗОПАСНОСТ

- Щепселът на електрическия инструмент трябва да е съвместим с контакта. В никакъв случай не внасяйте изменения в конструкцията на щепсела. Когато работите със занулени електрически инструменти, не използвайте адаптери за щепсела. Използването на оригиналните щепсели и контакти намалява риска от токов удар.
- Избягвайте допир със заземени повърхности, като тръби, радиатори, печки и хладилници. Когато тялото ви е заземено, рискът от възникване на токов удар е по-голям.
- Не излагайте продукта на дъжд или влажни условия. Проникването на вода в електрическия инструмент повишава опасността от токов удар.
- Не насилвайте захранващия кабел. Никога не носете, не изключайте и не дърпайте електрическия инструмент за кабела. Предпазвайте кабела от нагриване, омасляване, допир до остри ръбове или до подвижни звена на машини. Повредените или усукани кабели увеличават риска от токов удар.
- Когато работите с електрически инструмент на открито, използвайте само удължителни кабели, предназначени за работа на открито. Използването на удължител, предназначен за работа на открито, намалява риска токов удар.
- Ако не можете да избегнете използването на електрически инструмент на влажно място, използвайте RCD (прекъсвач със защитно изключване). Използването на RCD намалява опасността от електрически удар.

ЛИЧНА БЕЗОПАСНОСТ

- Бъдете бдителни, внимавайте какво правите и проявявайте благоразумие, когато боравите с електрически инструмент. Не използвайте електрическия инструмент, когато сте уморени или под влиянието на наркотични вещества, алкохол или лекарства. Миг невнимание, докато боравите с електрически инструмент, е достатъчен за получаването на сериозни наранявания.
- Използвайте лична защитна екипировка. Винаги носете защитни очила. Защитната екипировка, като маска против прах, пригодени против плъзгане защитни обувки, твърда шапка или антифони, използвани за подходящите условия, ще намали опасността от физически наранявания.
- Не допускайте нежелано стартиране. Преди да вдигате или носите инструмента и преди да го включвате в електрическата мрежа и/или батерия, винаги проверявайте дали

превключвателят е на позиция OFF (изкл). Носенето на инструмента с пръст върху превключвателя или включването му към електричеството, докато превключвателят му е на включен, е предпоставка за злополуки.

- **Махнете всички гаечни или френски ключове за настройки преди да включите инструмента.** Помощен инструмент, забравен на въртящ се елемент, може да доведе до физически наранявания.
- **Не се протягайте, за да работите на трудно достижими места.** Винаги стъпвайте стабилно по време на работа и пазете равновесие. Това дава възможност за по-добър контрол над електрическия инструмент в неочаквани ситуации.
- **Обличайте се целесъобразно.** Не носете широки дрехи или украшения. Пазете косата и дрехите си далеч от движещите се части. Широките дрехи, украшенията, дългите коси могат да бъдат захванати и увлечени от движещи се елементи.
- **Ако устройствата са оборудвани със съоръжение за издърпване и събиране на прах, уверете се, че е то свързано и функционира правилно.** Използването на устройства за събиране на прах ще намали рисковете, свързани с работа в прашни условия.
- **Не позволявайте опита ви с често използване на инструменти да ви направи прекалено самоуверени и да ви накара да игнорирате принципите за безопасност.** Едно небрежно действие може да доведе до сериозно нараняване в рамките само на секунда.

ИЗПОЛЗВАНЕ И ОБСЛУЖВАНЕ НА ЕЛЕКТРИЧЕСКИЯ ИНСТРУМЕНТ

- **Не насилвайте продукта.** Използвайте електрическия инструмент, съобразно неговото предназначение. Правилно подобраният електрически инструмент ще свърши работата по-добре и по-безопасно в зададения от производителя диапазон на натоварване.
- **Не използвайте електрически инструменти, чиито пусков прекъсвач е повреден.** Електрически инструмент, който не може да бъде контролиран посредством превключвател, е опасен и трябва да бъде ремонтиран.
- **Изключете щепсела от захранващия източник и/или извадете акумулаторната батерия от електрическия инструмент, ако е демонтируема, преди извършване на каквито и да са настройки, смяна на принадлежности или съхраняване на електрически инструменти.** Тази мярка премахва опасността от задействане на електрическия инструмент по невнимание.
- **Съхранявайте незаетите електрически инструменти на недостъпни за деца места и не позволявайте на лица, непознати**

с инструмента или с тези указания, да боравят с него. Когато са в ръцете на неопитни потребители, електрическите инструменти могат да бъдат изключително опасни.

- **Поддържайте в добро състояние електрическите инструменти и техните принадлежности.** Проверявайте за неизправности или заклиняване в подвижните елементи, за счупени части или други обстоятелства, които могат да влошат работата на електрическия инструмент. Преди да използвате електрическия инструмент, се погрижете повредите да бъдат отстранени. Много от трудовите злополуки се дължат на недобре поддържани електрически инструменти.
- **Поддържайте режещите инструменти винаги добре заточени и чисти.** Инструменти, за които е полагана правилна грижа и са с добре наточени режещи елементи, се управляват по-лесно и вероятността да заядат е по-малка.
- **Използвайте електрическите инструменти, принадлежностите и режещите и др. части съобразно тези указания, като се съобразявате с работните условия и с работата, която ще извършвате.** Използването на електрическите инструменти за различни от предвидените от производителя приложения повишава опасността от възникване на трудови злополуки.
- **Поддържайте ръкохватките и повърхностите за захващане сухи, чисти и неомаслени.** Хлъзгавите ръкохватки и повърхности за захващане не дават възможност за безопасно управление и контролиране на инструмента при възникване на неочаквани ситуации.

СЕРВИЗНО ОБСЛУЖВАНЕ

- **Ремонтът на електрическите инструменти трябва да се извършва само от квалифицирани специалисти и само с използване на оригинални резервни части.** По този начин се гарантира поддържането на безопасност при работа с електрическия инструмент.

ПРЕДУПРЕЖДЕНИЯ ЗА БЕЗОПАСНОСТ ПРИ РАБОТА С КОЛОННА БОРМАШИНА

- **Бормашината трябва да бъде застопорена.** Ако не е застопорена правилно, бормашината може да се отмести или преобърне и да причини физически наранявания.
- **Работният детайл трябва да бъде захванат или фиксиран към подпората.** Не пробивайте детайли, които са прекалено малки и не могат да бъдат здраво захванати. Ако по време на работа държите работния детайл с ръка, това може да доведе до физически наранявания.
- **Не носете ръкавици.** Ръкавиците могат да бъдат захванати от въртящите се части или стружки и това да доведе до физически наранявания.



- Докато инструментът работи, дръжте ръцете си настрани от зоната на пробиване. Контактът с въртящите се части или стружки може да доведе до физически наранявания.
- Уверете се, че приставката се върти, преди да я въведете в детайла. В противен случай приставката може да заседне в работния детайл, което да доведе до неочакваното му изместване и до физически наранявания.
- Ако приставката заседне, спрете да натискате инструмента надолу и го изключете. Направете проверка и предприемете коригиращи действия, за да отстраните причината за засядането. То може да причини неочаквано изместване на работния детайл и физически наранявания.
- Прекъсвайте редовно натиска надолу, за да избегнете отделянето на дълги стружки. Острите метални стружки могат да причинят захвациане и физически наранявания.
- Никога не отстранявайте стружките от зоната на пробиване, докато инструментът работи. За да премахнете стружките, преместете приставката настрани от работния детайл, изключете инструмента и я изчакайте да спре да се движи. Използвайте инструмент като четка или кука, за да отстраните стружките. Контактът с въртящите се части или стружки може да доведе до физически наранявания.
- Номиналната скорост на приставките трябва да е поне равна на максималната скорост, означена върху електрическия инструмент. Аксесоари, работещи по-бързо от номиналната си скорост, могат да се счупят и да се разхвърчат части от тях.
- Дръжте свредлата чисти и остри. Острите свредла намаляват до минимум риска от засядане. Замърсените и затъпени свредла могат да доведат до разместване на материала и възможно нараняване на оператора.
- Дръжте ръцете си далече от зоната на робата. Дръжте ръцете си далече от свредлото. Не носете широки дрехи, бижута или ако имате дълга коса, я прибирайте, и т.н. Те биха могли да бъдат захванати от свредлото.
- Винаги застопорявайте работния детайл или го закрепвайте към колоната, за да предотвратите въртене. Никога не дръжте предмета с ръка, когато пробивате.
- Използвайте препоръчителната скорост за съответния аксесоар за пробиване и материал, от който е направен работния детайл.
- Уверете се, че свредлото или режещият инструмент е застопорен в патронника.
- Уверете се, че ключът на патронника е премахнат от него, преди да свържете уреда към източника на захранване или да го включите.
- Регулирайте масата или крайната дълбочина, за да избегнете пробиване в самата маса. Изключете захранването, отстранете свредлото и почистете масата, преди да оставите машината.
- Не работете без предпазни очила, когато използвате лазерния водач.
- Винаги проверявайте дали лазерният лъч е насочен към повърхност без отражателни свойства. Лъскавите, отражателни материали не са подходящи за използване на лазер.
- Никога не слагайте пръстите си в позиция, в която могат да влязат в контакт със свредлото или друг режещ инструмент, ако е необходима неочаквана смяна на работния детайл.
- Никога не извършвайте никаква операция чрез преместване на главата спрямо масата. Не включвайте превключвателя на мотора или не започвайте никаква операция, преди да сте проверили дали фиксиращата ръкохватка на масата и главата са закрепени здраво към колоната и дали пръстените на главата и опората на масата са поставени правилно.
- Преди да активирате превключвателя на захранването, се уверете, че кожухът на ремъчната предавка е свален и патронникът е монтиран правилно.
- Когато оставяте продукта след работа, фиксирайте превключвателя на мотора на позиция OFF (ИЗКЛЮЧЕНО). Не препоръждайте, не извършвайте монтаж или работни настройки на масата, докато режещият инструмент се върти, докато е включен или свързан към електрическо захранване.
- Ако захранващият кабел е повреден, той трябва да се смени от производителя или от оторизиран сервиз, за да се избегнат рискове.
- Приберете за съхранение инструментите, които не използвате. Когато не се използват, инструментите трябва да се съхраняват на сухо, заключено място, далече от досега на деца.
- Препоръчително е инструментът да се захранва винаги чрез устройство за остатъчен ток с номинален остатъчен ток 30mA или по-малко.
- Запазете това ръководство. Препорочайте го редовно и ги използвайте, когато трябва да инструктирате други потребители. Ако заемате на някого инструмента, предайте му също и тези инструкции.

ПРАВИЛА ЗА БЕЗОПАСНОСТ ПРИ РАБОТА С ЛАЗЕР

- Лазерното лъчение, използвано в продукта, е от Клас 2 с максимум $=1\text{mW}$ и дължина на вълните 650 nm. Не се взирайте в лазерния лъч. Несъответствието с правилата може да доведе до сериозни физически наранявания.
- Не се вглеждайте в лъча по време на работа.
- Не насочвайте лазерния лъч директно в очите на другите. Това може да доведе до сериозно



нараняване на очите.

- Не поставяйте лазера в позиция, която би могла да накара някой да се вгледа в него волно или неволно.
- Не използвайте оптически инструменти за разглеждане на лазерния лъч.
- Не работете с лазера близо до деца или не позволявайте на деца да го използват.
- Не опитвайте да ремонтирате лазерното устройство сами.
- Не опитвайте да сменяте никакви части на лазерното устройство сами.
- Всички ремонтни дейности трябва да се извършват само от производителя на лазера или оторизиран сервизен представител.
- Не сменяйте лазера с различен вид.

НЕПРЕДВИДЕНИ РИСКОВЕ.

Дори когато продуктът се използва по предназначение, е невъзможно напълно да се ограничи влиянието на определени рискови фактори. Операторът трябва да обърне специално и допълнително внимание на тези точки, за да намали риска от сериозни физически наранявания.

- Увреждания на слуха - Носете подходящи антифони и ограничете излагането на шум.
- Увреждания на зрението - Носете маска за предпазване на очите или предпазни очила, когато използвате продукта.
- Наранявания, причинени от вибрации - Ограничете излагането и следвайте инструкциите за намаляване на риска в настоящото ръководство.
- Увреждания на дихателната система от прах, отделен при работа с този продукт - Носете подходящи предпазни средства в зависимост от вида на праха.

⚠ ПРЕДУПРЕЖДЕНИЕ

Прах, създаден при електрическо шлифование, рязане, заточване, пробиване и други строителни дейности може да съдържа химикали, които са известни като причинители на рак, увреждания при раждане или други репродуктивни вреди. Някои примери за тези химикали са:

- олово от бои на основата на олово
- кристален силициев диоксид от тухли и цимент и други зидарски продукти
- арсен и хром от химически обработен дървен материал

Рискът от излагане за вас е различен, в зависимост от това колко често извършвате този вид работа. За да намалите излагането на тези химикали: работете на добре проветрено място, както и работете с одобрено защитно оборудване, като например тези маски против прах, които са специално проектирани за филтриране на микроскопични частици.

ЕЛЕКТРИЧЕСТВО

Използвайте само удължителни кабели с 3 проводника, които имат тройни заземителни щепсели, както и 3-полюсни контакти, в които да ги включите. Когато използвате електрически инструмент на значително разстояние от източника на захранване, използвайте удължителен кабел, подходящ за напрежението, необходимо за продукта. Маломерен удължител ще причини спад в напрежението, което ще доведе до загуба на мощност и ще причини прегряване на мотора.

Преди да използвате удължител, го проверете за разхлабени или открити жици и срязана или износена изолация.

⚠ ПРЕДУПРЕЖДЕНИЕ

Дръжте кабела на удължителя далеч от работното пространство. Позиционирайте го така, че захване в мебели, инструменти или други препятствия, докато работите с електрическия инструмент. Несъобразяването с това предупреждение може да доведе до сериозно физическо нараняване.

⚠ ПРЕДУПРЕЖДЕНИЕ

Преди всяка употреба проверявайте целостта и здравината на удължителя. При откриване на повреда незабавно го заменете. В никакъв случай не използвайте инструмент с повреден кабел, тъй като съприкосновението с повредената област може да доведе до токов удар и да причини сериозно нараняване.

ЕЛЕКТРИЧЕСКА ВРЪЗКА

Този продукт се захранва от прецизно изграден електрически мотор. Той трябва да се включва в електрическо захранване 220240V, само АС (нормално битово напрежение), 50 Hz. Не работете с продукта с прав ток (DC). При по значителен спад в напрежението моторът може да прегрее, поради загуба на мощност. Ако машината не работи, когато е включена в контакта, проверете повторно електрическото захранване.

СКОРОСТ И ПРОВОДНИЦИ

Тази скорост не е постоянна и намалява при натоварване или при ниско напрежение. За напрежението окабеляването в магазина е също толкова важно, колкото и номиналната стойност за конските сили на двигателя. Линия, предназначена само за осветление, не може правилно да носи двигател на електрически инструмент. Проводник, който е достатъчно здрав за кратки разстояние, ще бъде прекалено слаб за по-големи. Линия, която може да поддържа един електрически инструмент, може да не е в състояние да поддържа два или три инструмента.

УКАЗАНИЯ ЗА ЗАЗЕМЯВАНЕ

В случай на неизправност или повреда заземяването осигурява път с минимално съпротивление за електрически ток, за да се намали рискът от токов удар. Този продукт е оборудван с електрически кабел, който има проводник и щепсел за заземяване. Щепселът трябва да се включва в съответстващ електрически контакт, който е правилно инсталиран и заземен в съответствие с всички местни закони и разпоредби.

Не променяйте предоставения кабел. Ако не отговаря на електрическия контакт, квалифициран електротехник трябва да монтира правилен извод. Неправилното свързване на проводника за заземяване на оборудването може да доведе до риск от токов удар. Проводникът с изолацията със зелена външна повърхност със или без жълти ленти представлява е този за заземяване. Ако е необходим ремонт или замяна на електрически кабел или щепсел, не включвайте проводника за заземяване към електрическа клема.

Ремонтирайте или сменете незабавно повреден или износен кабел.

ПРЕПОРЪЧИТЕЛНИ АКСЕСОАРИ.

▲ ПРЕДУПРЕЖДЕНИЕ

Използвайте само аксесоари, препоръчителни за този продукт.

Следвайте инструкциите, предоставени заедно с аксесоарите. Употребата на неправилни аксесоари може да бъде опасна.

- Накрайник за пробиване
- Притискащи скоби
- Менгемета за колонна бормашина

▲ ПРЕДУПРЕЖДЕНИЕ

Използвайте само аксесоари, които са проектирани за този продукт, за да избегнете наранявания от изхвърлени счупени части или работни детайли.

Не използвайте даден аксесоар, освен ако не сте прочели напълно инструкцията или ръководството за оператора за него.

СЪДЪРЖАНИЕ НА ОПАКОВЪЧНАТА КУТИЯ

РАЗОПАКОВАНЕ И ПРОВЕРКА НА СЪДЪРЖАНИЕТО

▲ ПРЕДУПРЕЖДЕНИЕ

Ако липсва някоя част или има повредена такава, не включвайте продукта в захранването, докато не я смените и не завършите монтажа.

Внимателно разопаковайте продукта и всички негови части и ги проверете в списъка по-долу.

За да се предпази продуктът от влага, върху машинните повърхности е нанесено защитно покритие. Отстранете това покритие с мека кърпа, напоена с керосин или WD-40.

▲ ПРЕДУПРЕЖДЕНИЕ

За да избегнете пожар или токсична реакция, никога не използвайте бензин, нафта, ацетон, разреждател за лак или подобни, силно летливи разтвори за почистване на продукта.

Нанесете покритие от восък за пастиране върху масата, колоната и машинните повърхности в основата, за да ги предпазите от ръжда. Избършете старателно всички части с чиста, суха кърпа.

Елемент	Описание	брой
1	Глава	1

2	Маса	1
3	Основа	1
4	Зъбен гребен	1
5	Колона	1
6	Пръстен на зъбния гребен	1
7	Ръкохватки за подаване	3
8	Червячно колело	1
9	Ръкохватка за фиксиране на масата	1
10	Манивелна дръжка на масата	1
11	Шестостенни болтове	3
12	Патронник	1
13	Ключ за патронник	1
14	Шестограм 4 mm	1
15	Шестограм 3 mm	1

МОНТАЖ И НАСТРОЙКИ

⚠ ПРЕДУПРЕЖДЕНИЕ

За ваша собствена безопасност никога не включвайте щепсела в ел. контакт, докато не завършите всички стъпки за монтажа и не прочетете и разберете инструкциите за работа и безопасност.

⚠ ПРЕДУПРЕЖДЕНИЕ

Продуктът представлява тежък електрически инструмент и трябва да се вдига с помощта на двама души или повече, за да го монтирате безопасно.

МОНТИРАНЕ НА КОЛОНАТА КЪМ ОСНОВАТА

Виж Фигура 5.

1. Поставете основата върху плоска, стабилна повърхност.
2. Напаснете отворите за винтове в колоната с отворите за винтове в основата.
3. Поставете шестостенен болт във всеки отвор.
4. Затегнете всеки шестостенен болт с помощта на регулируем гаечен ключ.

МОНТИРАНЕ НА МАСАТА КЪМ КОЛОНАТА

Виж Фигура 6-10.

1. Вкарайте фиксиращата ръкохватка на скобата на масата в отвора с резба на задната страна на скобата.

ЗАБЕЛЕЖКА: Монтирайте ръкохватката отляво

надясно, така че да влезе първо в страната без резба на скобата на масата.

2. Пъхнете червячното колело през отвора за манивелна на масата в скобата. Уверете се, че червячното колело зацепва с вътрешното.
ЗАБЕЛЕЖКА: Не почиствайте смазката от червячното колело.
3. Пъхнете зъбния гребен през жлеба в скобата на масата, така че зъбите да сочат навън, а по-дългият, гладък край да е обърнат нагоре. Червячното колело трябва да бъде в контакт със зъбния гребен.
4. Използвайте двете си ръце, плъзнете цялата маса и зъбния гребен върху колоната, докато долната страна на зъбния гребен се позиционира в пръстена на основата и към колоната.
5. Затегнете фиксиращата ръкохватка на скобата на масата, за да закрепите масата към колоната.
ЗАБЕЛЕЖКА: Не затягайте прекалено много.
6. Плъзнете пръстена на зъбния гребен със скосената страна надолу върху колоната, докато скосената страна влезе в контакт с края на гребена.
7. Затегнете стопорния винт в пръстена с помощта на шестограма. За да избегнете повреда на колоната или на пръстена, не затягайте стопорния винт прекалено много.
ЗАБЕЛЕЖКА: Трябва да можете да местите масата от едната страна на другата.
8. Монтирайте манивелната дръжка на масата върху края на червячното колело, така че плоската страна на вала да се изравни със стопорния винт.
9. Затегнете стопорния винт с помощта на шестограма.

МОНТИРАНЕ НА ГЛАВАТА

Виж Фигура 11.

⚠ ПРЕДУПРЕЖДЕНИЕ

Главата на колонната бормашина е тежка и трябва да се монтира върху колоната с помощта на двама души.

1. Поставете главата върху колоната, като патронникът трябва да се намира над масата.
ЗАБЕЛЕЖКА: Продуктът тежи. Използвайте помощ, която е необходимо.
2. Плъзнете главата надолу докдето може да стигне. Напаснете масата с основата и след това затегнете двата стопорни винта на главата с помощта на шестограма.

МОНТИРАНЕ НА РЪКОХВАТКИТЕ ЗА ПОДАВАНЕ

Виж Фигура 12.

1. Прикрепете трите ръкохватки за подаване, като ги завиете в отворите с резба в главината.

МОНТИРАНЕ НА ПАТРОННИКА

Виж Фигура 13-15.

⚠ ПРЕДУПРЕЖДЕНИЕ

Преди да монтирате патронника към главата на колонната бормашина, почистете всички свързани повърхности с продукт, който не е на петролна основа. Маслото и смазката, използвани при опакването на тези части, трябва да бъдат отстранени. В противен случай патронникът може да се разхлаби по време на работа.

1. Почистете конусния отвор в патронника с чиста кърпа и почистваща течност, която не е на алкохолна основа. Избършете старателно всички остатъци от масло, замърсяване или сажди.
2. Почистете назъбените повърхности на шпиндела по същия начин.

ЗАБЕЛЕЖКА: Уверете се, че върху повърхностите няма залепнали чужди частици. Дори най-малката частица от замърсяване или масло върху тези повърхности няма да позволи правилно наместване на патронника. Това ще доведе до клатене на патронника и на свредлото.

3. Наместете патронника върху шпиндела. Патронникът трябва да бъде отворен напълно, за да се избегне повреда на челюстите.
4. Освободете опората на масата и я бутнете настрана от долната част на патронника.
5. Вкарайте патронника върху шпиндела, като натискате нагоре през цялото време.
6. Използвайте парче дърво, за да предпазите патронника, го закрепете здраво на място с помощта на чук за дърво.

⚠ ВНИМАНИЕ

Риск от повреда на уреда. За да избегнете повреда на патронника, никога не го поставяйте върху шпиндела с метален чук.

ОТСТРАНЯВАНЕ НА ПАТРОННИКА

1. Завъртете ръкохватките за подаване, за да свалите патронника на най-ниска позиция.
2. Поставете сферичен шарнир със сепаратор (не е показан на картинката) над патронника и го ударете леко с чук или гумен чук за дърво, за да може патронникът да падне от шпиндела.

ЗАБЕЛЕЖКА: Никога не удрайте директно патронника с чук или гумен чук за дърво.

ЗАБЕЛЕЖКА: За да избегнете възможна повреда на патронника, първо вдигнете челюстите изцяло нагоре и се пригответе да го хванете, когато падне.

МОНТИРАНЕ НА КОЛОННАТА БОРМАШИНА КЪМ РАБОТНАТА ПОВЪРХНОСТ

Виж Фигура 16.

Ако продуктът ще се използва на постоянно място,

го закрепете към работна маса или друга стабилна повърхност.

Ако продуктът ще се използва като преносим инструмент, го закрепете за постоянно върху монтажна дъска, която може лесно да бъде закрепена към работна маса или друга стабилна повърхност. Монтажната дъска трябва да бъде достатъчно голяма, за да се избегне накланяне по време на употреба. Препоръчва се шперплат с добро качество или ПДЧ с дебелина 19 mm (3/4").

1. Маркирайте отворите на повърхността, към която ще монтирате колонната бормашина, с помощта на отворите в основата на машината като модел.
2. Пробийте дупки през повърхността за монтиране.
3. Поставете колонната бормашина върху повърхността за монтиране, като напаснете отворите в основата с вече пробитите.
4. Вкарайте болтовете (не са включени в комплекта) и ги затегнете здраво с фиксиращи шайби и шестостенни гайки (не са включени в комплекта). Ако използвате болтове за дърво, се уверете, че те са достатъчно дълги, за да преминат през дупките в основата на колонната бормашина и материала, към който го монтирате. Ако използвате машинни болтове, се уверете, че те са достатъчно дълги, за да преминат през дупките в основата на колонната бормашина, материала, към който го монтирате и фиксиращите шайби и шестостенните гайки.

ЗАБЕЛЕЖКА: Всички болтове трябва да се кварват отгоре. Поставете фиксиращите шайби и шестостенните гайки от долната страна на работната маса.

След като продуктът е монтиран и застопорен върху твърда повърхност:

1. Проверете вибрациите, когато моторът е включен.
2. Настройте и затегнете отново монтажния хардуер, ако е необходимо.
3. Проверете масата, за да се уверите, че колоната се движи гладко нагоре-надолу.
4. Проверете, за да се уверите, че валът на шпиндела се движи гладко.

СЪХРАНЕНИЕ НА КЛЮЧА НА ПАТРОННИКА

Виж Фигура 17.

Държачът за съхранение на ключа на патронника се намира от дясната страна на колонната бормашина.

СКОСЕНО ПРОБИВАНЕ

Виж Фигура 18.

ЗАБЕЛЕЖКА: Има включена скала за степента на скосяване за измерване на приблизителните ъгли на скосяване. Ако е необходима прецизност, трябва да се използва квадрат или друг измервателен инструмент за позициониране на масата. За да използвате скалата за степента скосяване:

1. Затегнете гайката на заключващия шифт с помощта на гаечен ключ 10 mm или регулируем такъв по посока на часовниковата стрелка, за да

освободите щифта от опората на масата. Този щифт ще ви бъде необходим, когато поставите масата обратно в позицията ѝ на 0 градуса от опората. Не го изхвърляйте.

- Отвинтете големия шестостенен болт за фиксиране на скосяването на масата с помощта на гаечен ключ 17 mm или регулируем такъв.
- Наклонете масата, напасвайки желанието ѝ към срещуположната нулева линия на скалата.
- Затегнете фиксиращия болт за скосяване на масата
- За да върнете масата в първоначалната ѝ позиция, отвинтете фиксиращия болт за скосяване на масата. Върнете масата на позиция 0°.
- Върнете гайката на заключващия щифт на външния край на резбата. Ударете леко заключващия щифт с помощта на гумен чук за дърво, докато влезе в съответния му отвор на скобата на масата. Затегнете гайката на ръка.

ЗАБЕЛЕЖКА: За по-голяма яснота масата е премахната от илюстрацията.

⚠ ПРЕДУПРЕЖДЕНИЕ

Винаги изключвайте щепсела от електрозахранването, когато извършвате настройки, за да избегнете сериозни физически наранявания.

ШПИНДЕЛ/ДЪЛГА ВТУЛКА

Виж Фигура 20.

Завъртете ръкохватките за подаване обратно на часовниковата стрелка, за да свалите шпиндела на най-ниската му позиция. Хванете патронника и го преместете отпред назад. Ако забележите прекалено силно клатене, направете следните настройки:

- Развийте фиксиращата гайка, която се намира на дясната страна на колонната бормашина, с помощта на гаечен ключ 10 mm.
- Завъртете винта по часовниковата стрелка, за да премахнете клатенето, с помощта на оребрена отвертка, но без да препречвате движението нагоре на шпиндела. (Нормално е да има слабо клатене в шпиндела.)
- Затегнете фиксиращата гайка.

ПРУЖИНА ЗА ВРЪЩАНЕ В ИЗХОДНА ПОЗИЦИЯ

Виж Фигура 21.

Пружината за връщане в изходна позиция може да има нужда от регулиране, ако скоростта на връщане е прекалено висока или ниска. Пружината се намира на лявата страна на главата за пробиване.

- Свалете масата, за да имате повече място.
- Поставете отвертка в долната, предна резба на пружинната капачка. Задръжте я на място, докато развияте и отстранявате външната контрагайка с помощта на гаечен ключ 10 mm.
- Държейки отвертката в браздата, развийте вътрешната гайка, докато браздата излезе от

главината на главата на колонната бормашина.

ЗАБЕЛЕЖКА: Не махайте вътрешната гайка, тъй като пружината ще се отпусне.

- Внимателно завъртете пружинната капачка обратно на часовниковата стрелка с отвертката, за да стигнете до следващата бразда.
- Свалете дългата втулка на най-ниската позиция, като въртите ръкохватката за подаване обратно на часовниковата стрелка, докато държите пружинната капачка на място.
- Ако дългата втулка се премести нагоре или надолу според вашето желание, затегнете вътрешната гайка към пружинната капачка и самата капачка с помощта на гаечен ключ. Ако е твърде хлабава, повторете стъпките от 3 до 5, за да я затегнете. Ако е прекалено затегната, направете стъпки 4 и 5 на обратно.
- Затегнете външната гайка към вътрешната с помощта на гаечен ключ.

ЗАБЕЛЕЖКА: Не затягайте прекалено много и ограничете движението на дългата втулка.

ОБТЯГАНЕ НА РЕМЪКА

Виж Фигура 22.

- Отворете капака на ролката.
 - За да освободите обтягането на ремъка, завъртете врътката за фиксиране на обтягането на ремъка на дясната страна на главата на колонната бормашина обратно на часовниковата стрелка.
 - Издърпайте мотора към предната страна на машината, за да намалите обтягането на ремъка.
 - Поставете ремъка на правилните стъпки на ролката за желаната скорост.
 - Натиснете мотора на страни от главата на машината до правилно обтягане на ремъка.
- ЗАБЕЛЕЖКА:** Обтягането на ремъка е правилно, ако ремъкът се разпъва приблизително 13 mm (1/2") при натискане в центъра.
- Затегнете врътката за фиксиране на обтягането на ремъка, за да закрепите мотора на място. Затворете капака на ролката.

ПРОВЕРКА/РЕГУЛИРАНЕ НА НАСОЧВАНЕТО НА ЛАЗЕРА

Продуктът е оборудван с Laser Trac ®.

Лазерните лъчи ще ви дадат възможност да проверите пътя на свердлото върху работния детайл, който ще пробивате, преди да започнете работа.

⚠ ПРЕДУПРЕЖДЕНИЕ

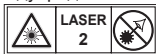
Избягвайте пряк контакт с очите

Лазерният лъч се излъчва при включване на лазерния водач. Избягвайте пряк контакт с очите. Винаги изключвайте продукта от електрозахранването преди да правите някакви настройки.

- Лазерната показалка не е играчка и не трябва

да се използва от деца. Неправилната употреба на този уред може да доведе до непоправими наранявания на очите.

- Забраняват се всякакви настройки за увеличаване на мощността на лазера.
- Когато използвате лазерната показалка, не насочвайте лъча към хора и/или отражателни повърхности. Дори лазерен лъч с по-ниска мощност може да причини увреждане на очите. Не се взирайте в лазерния лъч.
- Лазерната показалка не включва компоненти, които могат да се обслужват. Никога не отваряйте корпуса, за да извършвате ремонт или настройки.
- Предупредителен етикет за лазера:



- Не сваляйте и не заличавайте предупредителните етикети. Свалянето на етикетите увеличава риска от излагане на радиация.
- **ВНИМАНИЕ:** Използването на управление, настройки или процедури, различни от посочените тук, може да доведе до опасно излагане на радиация.
- Не опитвайте да ремонтирате или да разглобявате лазерното устройство. Ако неквалифицирано лице опита да ремонтира този лазерен продукт, това може да доведе до сериозни наранявания. Всеки ремонт, необходим за този лазерен продукт, трябва да се извършва от служители в оторизиран сервиз.
- **ВНИМАНИЕ:** Използването на оптични инструменти с този продукт ще увеличи опасността за очите.

⚠ ПРЕДУПРЕЖДЕНИЕ

Не използвайте тъмни очила, за да подобрите лазерния лъч. Тъмните очила ще попречат на общия поглед върху приложението и на нормалното функциониране на инструмента.

⚠ ПРЕДУПРЕЖДЕНИЕ

Лазерно лъчение. Никога не насочвайте лазерния лъч към работен детайл с отражателна повърхност. Лъскавите, отражателни стоманени листове или подобни отражателни повърхности не се препоръчват за използване на лазер. Отражателните повърхности могат да насочат лъча обратно към оператора или близкостоящите лица.

РЕГУЛИРАНЕ НА ЛАЗЕРНИТЕ ЛИНИИ

Виж Фигура 23.

Проверете насочването на лазера, за да потвърдите, че пресичането на лазерните линии е точно на

мястото, на което свредлото влиза в работния детайл. Ако не е така, лазерните линии трябва да бъдат регулирани с помощта на врътките за регулиране на лазера, които се намират на противоположните страни на главата.

1. Направете знак „X“ на парче дърво.
2. Вкарайте малко свредло в патронника и изравнете върха му с пресичането на линиите върху знака „X“.
3. Закрепете дъската към масата.
4. Включете лазерния водач и проверете дали лазерните линии се изравняват със знака „X“ върху работния детайл.
5. Ако линиите не се изравняват със знака, развийте стопорните винтове на всеки един от корпусите на лазера с помощта на шестограм и завъртете врътките за регулиране на лазера, докато линиите се срещнат в центъра на знака „X“. Завийте отново стопорните винтове, за да затегнете.

РАБОТА

⚠ ПРЕДУПРЕЖДЕНИЕ

Не позволявайте фамилиарността с уредите да ви накара да станете небрежни. Запомнете, че миг невнимание е достатъчен за нанасянето на сериозни наранявания.

⚠ ПРЕДУПРЕЖДЕНИЕ

Винаги носете предпазни очила или маска със странични панели, когато работите с електрически инструменти. Ако не го направите, някакви частици могат да ви влязат в очите, което води до възможни сериозни наранявания.

⚠ ПРЕДУПРЕЖДЕНИЕ

Не използвайте никакви приставки и аксесоари, които не са препоръчани от производителя на продукта. Използването на неепоръчани приставки и принадлежности може да доведе до сериозни физически наранявания.

⚠ ПРЕДУПРЕЖДЕНИЕ

За да избегнете възможни наранявания, дръжте предпазителя затворен и на място, когато инструментът работи.

ПРОМЯНА НА СКОРОСТТА И ПОСТАВЯНЕ НА РЕМЪКА

Виж Фигура 24.

Скоростта на шпиндела се определя от местоположението на ремъка върху ролките вътре в главата. Графиката на скоростта, която се намира на капака в главата, показва препоръчителната скорост

и конфигурацията на ролката за всяка операция по пробиване.

За да промените конфигурацията на ролката:

1. Вдигнете капака на ролката.
2. Развийте болта за обтягане.
3. Махнете ремъка.
4. Поставете ремъка отново в съответствие с графиката на скоростта.
5. Затегнете отново болта за обтягане.

ЗАБЕЛЕЖКА: Направете справка с раздела „Препоръчителна скорост на пробиване“ относно препоръки за размера на свредлото и скоростта на пробиване.

ПРЕПОРЪЧИТЕЛНА СКОРОСТ НА ПРОБИВАНЕ

ТАБЛИЦА СЪС СКОРОСТИ НА ПРОБИВАНЕ (RPM)			
Диаметър на свредлото (инча)	Материал		
	Дърво Пластмаса	Алуминий Цинк Месинг	Желязо Стомана
1/16	2430	2430	2430
1/8			1800
3/16	1800	1300	1300
1/4			800
5/16			800
3/8	1300		
1/2	1800	800	510

Превключвател ПУСКАНЕ/СПИРАНЕ

Виж Фигура 25.

За да включите продукта:

1. Натиснете бутона ON (ВКЛЮЧВАНЕ) (I).

За да изключите продукта:

1. Натиснете бутона OFF (ИЗКЛЮЧВАНЕ) (O).

⚠ ПРЕДУПРЕЖДЕНИЕ

Винаги проверявайте дали работният детайл не влиза в контакт със свредлото, преди да използвате превключвателя, за да включите продукта. Несъобразяването с това предупреждение може да причини откат на работния детайл към оператора и да доведе до сериозни физически наранявания.

МОНТИРАНЕ И ДЕМОНТИРАНЕ НА СВРЕДЛА

Виж Фигура 26.

1. Изключете продукта от захранването.
2. Отворете или затворете челюстите до точка, в която отворът е малко по-голям от размера на свредлото, което възнамерявате да използвате.
3. Вкарайте свредлото в патронника до пълната дължина на челюстите.

⚠ ПРЕДУПРЕЖДЕНИЕ

Не вкарвайте свредлото в челюстите на патронника, както е показано на Фигура 19. Това може доведе до изхвърляне на свредлото от колонната бормашина и до вероятни сериозни, физически наранявания или повреда на патронника.

4. Затегнете здраво челюстите на патронника с помощта на предоставения ключ. Не използвайте гаечен ключ, за да затягате или да разхлабвате челюстите на патронника.
5. Махнете ключа на патронника.
6. За да демонтирате свредлото, следвайте стъпките по-горе в обратна последователност.

⚠ ПРЕДУПРЕЖДЕНИЕ

За да избегнете наранявания или нещастен случай поради насилствено изваждане на ключа от патронника, когато машината е включена, използвайте само ключ на патронника със самостоятелно изваждане, предоставен с тази колонна бормашина. Винаги правете повторна проверка и отстранявайте ключа на патронника, преди да включите машината. Когато не го използвате, дръжте ключа на патронника в предвидения държач.

ПРОБИВАНЕ НА СПЕЦИФИЧНА ДЪЛБОЧИНА

Пробиването на сляпа дупка (не изцяло през работния детайл) на дадена дълбочина може да се направи по два начина:

Метод на работния детайл

Виж Фигура 27.

1. Маркирайте дълбочината на дупката от страни на работния детайл.
2. Уверете се, че превключвателят е на позиция „OFF“ (ИЗКЛЮЧЕНО) и свалете свредлото, докато върхът му се изравни с поставения знак.
3. Задръжте ръкохватката за подаване на тази позиция.
4. Завъртете долната гайка надолу, за да стигне до гайката за фиксиране на дълбочината върху главата.
5. Завъртете горната гайка надолу и я затегнете към долната.
6. По този начин свредлото ще спре, когато измине разстоянието, отбелязано на работния детайл.

Метод на скалата за дълбочина

Виж Фигура 28.

ЗАБЕЛЕЖКА: Когато патронникът е в горна позиция, върхът на свредлото трябва да бъде малко над горната страна на работния детайл.

1. Уверете се, че превключвателят е на позиция „OFF“ (ИЗКЛЮЧЕНО), завъртете ръкохватката за



подаване, докато показалецът посочи желаната дълбочина на скалата и задръжте ръкохватката за подаване в тази позиция.

2. Завъртете долната гайка надолу, за да стигне до гайката за фиксиране на дълбочината.
3. Завъртете горната гайка към долната фиксираща гайка и я затегнете.
4. По този начин свредлото ще спре, когато измине разстоянието, избрано на скалата за дълбочина.

Пробиване на дупка

1. С помощта на център или остър пирон направете вдлъбнатина в работния детайл на мястото, на което искате да пробивате.
2. Включете лазерния водач и изравнете лазерните линии с вдлъбнатината.
3. Включете превключвателя и дръпнете ръкохватките за подаване с достатъчна сила, за да позволите на свредлото да пробива.

Прекалено бързото подаване може да доведе до използване на ремъка или свредлото, раз местване на работния детайл или до счупване на свредлото.

Когато пробивате метал, е необходимо да смажете върха на свредлото с масло за пробиване на метал, за да предотвратите прегряване.

ЗА ВАША ЗАЩИТА

ПРЕДУПРЕЖДЕНИЕ

За да избегнете захващане в електрически инструмент, не носете широки дрехи, ръкавици, вратовръзки или бижута. Ако имате дълга коса, винаги я връзвайте отзад.

1. Ако някоя част от вашата колонна бормашина липсва, не функционира правилно, ако е повредена или счупена, незабавно спрете работа, докато частта не бъде ремонтирана или сменена.
2. Никога не слагайте пръстите си в позиция, в която могат да влязат в контакт със свредлото или друг режещ инструмент. Работният детайл може да се измести неочаквано или ръката ви може да се плъзне.
3. За да не може работният детайл да бъде изтръгнат от ръцете ви, изхвърлен, завъртян от инструмента или разбит, винаги използвайте опора, както следва:
 - Винаги използвайте подпори (поставени под работния детайл), така че да се допират до лявата страна на колоната.
 - Когато е възможно, поставяйте работния детайл така, че да се допира до лявата страна на колоната. Ако детайлът е прекалено къс или масата е наклонена, закрепете го здраво към масата с помощта на предвидените жлебове.
 - Когато използвате менгеме за колонна бормашина (не е включено в комплекта), винаги го застопорявайте за масата.
 - Никога не работете със свободна ръка (т. е.

да държите работния детайл във въздуха, вместо да го подпирате на масата), освен когато полирате или шлифовате.

- Преди да започнете работа с колонната бормашина, фиксирайте здраво главата и опората към колоната, рамото на масата към опората и масата към рамото.
- Никога не местете главата или масата, докато инструментът работи.
- Преди да започнете работа, бутнете превключвателя на мотора, за да се уверите, че свредлото или друг режещ инструмент не се клати и не причинява вибрации.
- Ако работният детайл се подава извън масата и може да падне или да се наклони, ако не го държите, го закрепете или осигурете допълнителна опора.
- Когато извършвате необичайни операции, използвайте крепежи, за да държите, насочвате и позиционирате правилно работния детайл.
- Използвайте препоръчаната скорост на шпиндела за конкретната операция и материала на работния детайл. Проверете панела на вътрешния капак на ролката или направете справка с раздела „Препоръчителна скорост на пробиване“ за повече информация относно скоростта на пробиване. За информация относно аксесоарите вижте указанията, предоставени с всеки един аксесоар.

4. Никога не се качвайте върху масата на колонната бормашина, тъй като може да се счупи или цялата машина да падне върху вас.
5. Изключете машината от ел. контакт, когато я оставяте след работа.
6. За да избегнете наранявания от изхвърлен работен детайл или контакт с инструмента, не преподреждайте нищо върху масата, не правете настройки или не местете работния детайл, докато режещият инструмент се върти.

ПОЗИЦИОНИРАНЕ НА МАСАТА И РАБОТНИЯ ДЕТАЙЛ

Виж Фигура 29-30.

1. Фиксирайте масата към колоната в такава позиция, че върхът на свредлото да бъде точно над горната страна на работния детайл.
2. Винаги поставяйте подпора (парче дърво) върху масата, под работния детайл. Това ще предотврати раздробяване на парчета или грапавини на долната страна на работния детайл. За да не се върти подпората, тя трябва да бъде поставена до лявата страна на колоната.
3. Използвайте подходящи подпорни средства за надвесени работни детайли.



⚠ ПРЕДУПРЕЖДЕНИЕ

За да не може работният детайл и подпората да бъдат изхвърлени по време на пробиване, ТРЯБВА да поставите работния детайл до лявата страна на колоната. Ако работният детайл и подпората не са достатъчно дълги, за да стигнат до колоната, ги закрепете към масата. Несъобразяването с това предупреждение може да доведе до физически наранявания.

⚠ ПРЕДУПРЕЖДЕНИЕ

Менгемето за колонна бормашина трябва да бъде закрепено или завинтено към масата, за да се избегнат наранявания от въртящ се работен детайл, повредено менгеме или частици, отделени при пробиването.

ПОДДЪРЖАНЕ НА МЯСТО ЗА ПРОБИВАНЕ

1. С помощта на център или остър пирон направете вдлъбнатина в работния детайл на мястото, на което ще пробивате.
2. Включете лазерния водач и изравнете лазерните линии (x) със знака, преди да включите бормашината.

НАКЛАНЯНЕ НА МАСАТА

Виж Фигура 31.

ЗАБЕЛЕЖКА: Опората на масата има предварително пробита дупка със заключващ щифт, поставен за фиксиране на масата в предварително пробития ъгъл на скосяване 0°.

1. Затегнете гайката на заключващия щифт с помощта на гаечен ключ 10 mm или регулируем такъв по посока на часовниковата стрелка, за да освободите щифта от опората на масата. Този щифт ще ви бъде необходим, когато поставяте масата обратно в позицията ѝ на 0 градуса от опората.
2. Отвинтете големия шестостенен болт за фиксиране на скосяването на масата с помощта на гаечен ключ 17 mm или регулируем такъв.

⚠ ПРЕДУПРЕЖДЕНИЕ

За да предотвратите наранявания, се уверете, че държите масата и рамото, така че да не се въртят или наклонят.

3. Наклонете масата, напасвайки желания ъгъл към срещуположната нулева линия на скалата.
4. Затегнете фиксиращия болт за скосяване на масата
5. За да върнете масата в първоначалната ѝ позиция, отвинтете фиксиращия болт за скосяване на масата. Върнете масата на позиция 0°.
6. Върнете гайката на заключващия щифт на външния край на резбата. Ударете леко

заключващия щифт, докато влезе в съответния му отвор на скобата на масата. Затегнете гайката на ръка.

⚠ ПРЕДУПРЕЖДЕНИЕ

За да избегнете наранявания от въртящ се работен детайл или счупване на инструмента, винаги закрепвайте здраво работния детайл и подпората към масата, преди да започнете работа с колонната бормашина.

ПОДАВАНЕ

1. Дръпнете ръкохватките за подаване с достатъчна сила, за да позволите на свредлото да пробива.
2. Прекалено бавното подаване може да причини изгаряне на свредлото. Прекалено бързото подаване може да доведе до изплъзване на ремъка или свредлото, разместване на работния детайл или до счупване на свредлото.
3. Когато пробивате метал, е необходимо да смажете върха на свредлото с масло, за да предотвратите изгаряне на работния детайл и самото свредло.

ПОДДРЪЖКА**⚠ ПРЕДУПРЕЖДЕНИЕ**

За ваша собствена безопасност изключете превключвателя и извадете щепсела от ел. контакт, преди да извършите поддръжка или да смажете продукта.

Често обдухвайте с помощта на въздушен компресор или прахосмукачка за прах стърготините или стружките, които се натрупват в мотора, корпуса на ролката, масата и работната повърхност. Винаги носете защитна маска или защитни очила когато боравите с този инструмент.

⚠ ПРЕДУПРЕЖДЕНИЕ

За да избегнете токов удар или опасност от пожар, ако захранващият кабел е износен или прекъснат по някакъв начин, незабавно го занесете за смяна при квалифициран ел. или сервизен техник.

СМАЗВАНЕ

Всички лагери на продукта са смазани и пакетираны в завода. Не е необходимо допълнително смазване.

Смазвайте периодично зъбното колело и зъбния гребен, механизма за повдигане на масата на зъбния гребен (зъбите) на шпиндела на дългата втулка. Спускайте шпиндела и смазвайте ръкава на всеки три месеца.

ТРАНСПОРТИРАНЕ И СЪХРАНЕНИЕ

Виж Фигура 32.

Превод от оригиналните инструкции | 323

При транспортиране на продукта изключете захранващия кабел и се уверете, че всички компоненти са надеждно закрепени. Вижте фиг. 32 за зоните за захващане при повдигане на продукта.

Съхранявайте продукта на сигурно място, което е недостъпно за деца.

Почистете продукта с помощта на четка и прахосмукачка, преди да го приберете за съхранение.

ЗНАК



Предупреждение относно безопасността



Знак за съответствие с европейските изисквания



Знак за съответствие с изискванията на Обединеното кралство



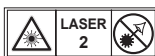
Знак за съответствие с изискванията на Украйна



EurAsian знак за съответствие



Моля, прочетете внимателно инструкциите, преди да стартирате продукта.



Лазерно лъчение.
Не се взирайте в лъча.
Клас на безопасност на лазера: 2



Не излагайте на дъжд и не използвайте на мокри места.



Носете антифони



Винаги носете защитни очила.



Капацитет на цангата



Ход на шпиндела



Регулиране на пробиването



Диаметър на свредлото (в инчове)



Дърво



Алуминий
Цинк
Месинг

Желязо
Стомана

Не изхвърляйте отпадъците от електрическо и електронно оборудване като несортирани битови отпадъци. Отпадъците от електрически и електронно оборудване трябва да се събират отделно. Отпадъците от светлинни източници трябва да бъдат премахнати от оборудването. За съвети относно рециклирането и пункта за събиране се обърнете към вашите местни власти или търговски представители. Съгласно местните разпоредби търговците на дребно може да бъдат задължени да приемат отпадъци от електрическо и електронно оборудване. Вашият принос за повторната употреба и рециклирането на отпадъци от електрическо и електронно оборудване помага за намаляване на търсенето на суровини. Отпадъците от електрическо и електронно оборудване съдържат ценни, подходящи за рециклиране материали, които може да имат неблагоприятно въздействие върху околната среда и човешкото здраве, ако не бъдат изхвърлени по екологичен начин. Ако на отпадъчното оборудване има лични данни, изтрийте ги.



ОТСТРАНЯВАНЕ НА ПРОБЛЕМИ

Проблем	Възможна причина	Решение
Шум при работа.	<ol style="list-style-type: none"> 1. Неправилно обтягане на ремъка. 2. Шпинделът е сух. 3. Ролката на шпиндела е хлабава. 4. Ролката на мотора е хлабава. 	<ol style="list-style-type: none"> 1. Регулирайте стегнатостта. Вижте раздел „Обтягане на ремъка“. 2. Смажете шпиндела. Вижте раздел „Смазване“. 3. Проверете дали държачата гайка на ролката е затегната и я затегнете, ако е необходимо. 4. Затегнете стопорния винт на ролката на мотора.
Свредлото причинява изгаряне.	<ol style="list-style-type: none"> 1. Неправилна скорост. 2. През отвора не излизат стружки. 3. Свредлото е затъпено. 4. Подаването е прекалено бавно. 5. Няма нанесена смазка. 	<ol style="list-style-type: none"> 1. Променете скоростта. Вижте раздел „Промяна на скоростта и смяна на ремъка“. 2. Изваждайте често свредлото и почиствайте стружките. 3. Подострете свредлото или го сменете с ново. 4. Подаването е достатъчно бързо - свредлото може да пробива. 5. Смажете свредлото. Вижте раздел „Подаване“.
Биене на свредлото, пробитата дупка не е кръгла.	<ol style="list-style-type: none"> 1. Дървесните влакна, дължината на линиите на рязане и/или ъглите не са еднакви. 2. Свредлото е огънато. 	<ol style="list-style-type: none"> 1. Подострете свредлото. 2. Сменете свредлото.
Отдолу има трески.	<ol style="list-style-type: none"> 1. Под работния детайл няма подпора. 	<ol style="list-style-type: none"> 1. Използвайте подпора. Вижте раздел „Работа“.
Работният детайл е изтръгнат от ръката ви.	<ol style="list-style-type: none"> 1. Работният детайл не е правилно подпрян или закрепен. 	<ol style="list-style-type: none"> 1. Подпрете или закрепете работния детайл. Вижте раздел „Работа“.
Свредлото засяда в работния детайл.	<ol style="list-style-type: none"> 1. Работният детайл захваща свредлото или има прекалено голям натиск при подаването. 2. Неправилно обтягане на ремъка. 	<ol style="list-style-type: none"> 1. Подпрете или закрепете работния детайл. Вижте раздел „Работа“. 2. Регулирайте стегнатостта. Вижте раздел „Обтягане на ремъка“.
Прекалено биене или потреперване на свредлото.	<ol style="list-style-type: none"> 1. Свредлото е огънато. 2. Лагерите са износени. 3. Свредлото не е монтирано правилно в патронника. 4. Патронникът не е монтиран правилно. 	<ol style="list-style-type: none"> 1. Използвайте право свредло. 2. Сменете лагерите. 3. Монтирайте свредлото правилно. Вижте раздели „Работа“ и „Монтаж и настройки“. 4. Монтирайте патронника правилно. Вижте раздел „Монтиране на патронника“.
Дългата втулка се връща прекалено бавно или прекалено бързо.	<ol style="list-style-type: none"> 1. Винтовата пружина има неправилно обтягане. 	<ol style="list-style-type: none"> 1. Регулирайте обтягането на пружината. Вижте раздел „Пружина за връщане в изходна позиция“.
Патронникът не стои прикрепен към шпиндела. Пада, когато опитате да го монтирате.	<ol style="list-style-type: none"> 1. Има замърсяване, смазка или масло на скосената вътрешна повърхност на патронника или на скосената повърхност на шпиндела. 	<ol style="list-style-type: none"> 1. Почистете скосената повърхност на патронника и шпиндела с помощта на почистващ разтвор, който не е на алкохолна основа, за да премахнете замърсяването, смазката и маслото. Вижте раздел „Монтиране на патронника“.

ОПИС

1. Вузол голівки
2. Таблиця
3. Основа
4. Стійка
5. Вузол колони
6. Кільце стійки
7. Ручки подачі
8. Черв'ячна передача
9. Ручка фіксування столу
10. Зігнута ручка столу
11. Болти з шестигранною головкою
12. Затискний патрон
13. Ключ патрона
14. Шестигранний ключ 4 мм
15. Шестигранний ключ 3 мм
16. Шліцьова викрутка
17. Розсувний гайковий ключ
18. Гайковий ключ 12 мм
19. Молоток або гумовий молоток
20. Комбінований кутник
21. Блок з деревини
22. Двигун
23. Лазерна головка
24. Спіраль / пружина повернення висувного шпинделя
25. Скоба робочого стола
26. Кришка шківа
27. Перемикач включення/вимикання
28. Перемикач лазера
29. Верхній захисний кожух
30. Монтажний отвір
31. Фіксувальний гвинт головки
32. Фіксатор натягу приводного ременя
33. Держак для ключа патрона
34. Шків шпинделя
35. Шків двигуна
36. Опора столу
37. Отвір для зігнутої ручки столу
38. Опора колони
39. Регулювальний гвинт
40. Головка
41. Фіксувальний гвинт головки
42. Різьбові отвори
43. Вузол втулки
44. Шпindel
45. Болт х 2 (M12, не входить в комплект)
46. Стопорна шайба х 4 (Dia. 12mm, не входить в комплект)
47. Гумова шайба х 2 (Dia. 12mm, не входить в комплект)
48. Плоска шайба х 2 (Dia. 12mm, не входить в комплект)
49. Болт х 2 (M12, не входить в комплект)
50. Шестигранна гайка х 2 (M12, не входить в комплект)
51. Робоча поверхня
52. Кутомір
53. Фіксувальний болт нахилу столу
54. Гайка
55. Гайка фіксації
56. Гвинт
57. Нижня передня виймка
58. Кришка пружини
59. Зовнішня контргайка
60. Внутрішня гайка
61. Насічка
62. Виступ
63. Кулачок затискного патрону
64. Свердло
65. Глибина
66. Показчик шкали глибини
67. Шкала глибини
68. Верхня гайка
69. Нижня гайка
70. Виступ обмежувача глибини
71. Заготовка

Головними міркуваннями при розробці цього свердильного верстата були безпека, ефективність та надійність.

ПРИЗНАЧЕННЯ

Свердильний верстат призначений для свердління отворів в деревині, пластмасі, алюмінії і сталі.

Продукт призначений для експлуатації тільки дорослими користувачами, які прочитали інструкцію та розуміють ризики та небезпеку пов'язані з експлуатацією приладу.

Пристрій має бути закріплений на твердій рівній поверхні. Якщо підставка не надійно закріплена, весь пристрій може перекинутися, зісковзнути або переміститися на опорну поверхню під час використання, що підвищує ймовірність отримання серйозної травми.

Пристрій має використовуватись в сухому середовищі з гарним освітленням та потрібною вентиляцією.

Продукт призначений для побутового використання і повинен використовуватися тільки як описано вище, і не для якихось інших цілей.

ГОЛОВНІ ПОПЕРЕДЖЕННЯ З БЕЗПЕКИ ЕЛЕКТРОІНСТРУМЕНТУ

⚠ ПОПЕРЕДЖЕННЯ

Прочитайте всі правила безпеки, інструкції, ілюстрації і специфікації, що поставляються з електроінструментом. Недотримання всіх зазначених інструкцій може призвести до ураження електричним струмом, пожежі та/або серйозних травм.

Збережіть всі інструкції і вказівки для майбутнього використання. Термін "електроінструмент" "в попередженнях відноситься до Вашого мережевого (з кабелем) електроінструменту або з батарейним живленням (бездротового) електроінструменту.

БЕЗПЕКА РОБОЧОГО МІСЦЯ

- Утримуйте робоче місце в чистоті і добре освітленим. Безлад на робочому місці або темні місця спричиняють аварії.
- Не використовуйте електроінструменти у вибухонебезпечній атмосфері, наприклад, у присутності легкозаймистих рідин, газів або пилу. Електричні інструменти створюють іскри, що можуть запалити пил або пари.
- Тримайте дітей та сторонніх осіб подалі під час роботи електроінструментом. Відволікання уваги може призвести до втрати контролю.

ЕЛЕКТРОБЕЗПЕКА

- Вилка живлення електроінструменту повинна відповідати розетці. Ніколи не змінюйте вилку. Не використовуйте ніякі вилки-перехідники з заземленими (замкнутими на землю)

електроінструментами. Не змінені вилки та відповідні розетки зменшують ризик ураження електричним струмом.

- Уникайте контакту тіла з заземленими поверхнями, такими як труби, радіатори, плити та холодильники. Існує підвищений ризик ураження електричним струмом, якщо ваше тіло заземлене.
- Не піддавайте електроінструменти впливу дощу або вологих умов. Вода, що потрапила в електроінструмент збільшує ризик ураження електричним струмом.
- Не зловжуйте шнур. Ніколи не використовуйте шнур живлення для перенесення, переміщення або вилучення вилки з розетки. Тримайте шнур подалі від тепла, масла, гострих кромок або рухомих частин. Пошкоджені або заплутані шнури збільшують ризик ураження електричним струмом.
- При роботі з електроінструментом на вулиці, використовуйте подовжувач, відповідний для використання на відкритому повітрі. Використання кабелю, придатного для використання на відкритому повітрі, знижує ризик ураження електричним струмом.
- При роботі з електроінструментом у вологому середовищі використовуйте залишковий поточний пристрій (ЗПП) захищеного живлення. Використання ЗПП знижує ризик ураження електричним струмом.

ОСОБИСТА БЕЗПЕКА

- Будьте уважні, дивіться, що ви робите, і використовуйте здоровий глузд при роботі з електроприладами. Не використовуйте електроінструмент, якщо Ви втомилися або перебуваєте під впливом наркотиків, алкоголю або ліків. Найменша необережність при роботі з електроінструментом може призвести до серйозних травм.
- Використовуйте персональне захисне обладнання. Завжди надягайте захисні окуляри. Захисне устаткування, наприклад, респіратор, взуття на нековзній підшві, захисний шолом або засоби захисту органів слуху, використовувані в належних умовах, зменшать ризик отримання травми.
- Запобігайте випадкового запуску. Переконайтеся, що вимикач знаходиться у вимкненому положенні перед підключенням до джерела живлення та / або акумуляторної батареї, підніманням або переміщенням інструменту. Не переносьте електроінструмент з пальцем на вимикачі або подачею живлення на інструмент, який має перемикач, щоб запобігти нещасного випадку.
- Перед вклученням електроінструменту знімайте регулювальний або гайковий ключ. Гайковий ключ або регулювальний ключ, залишений на обертаємій частині



електроінструменту, може призвести до травми.

- **Не тягніться.** Зберігайте правильну стійку і баланс весь час. Це дозволяє краще контролювати інструмент в несподіваних ситуаціях.
- **Одягайтеся правильно.** Не носіть вільний одяг або прикраси. Тримайте волосся та одяг далі від частин пристрою, що рухаються. Вільний одяг, прикраси або довге волосся можуть потрапити в рухомі частини.
- **Якщо є пристрої для підключення для збору пилу, переконайтеся, що вони під'єднані і використовуються правильно.** Використання пилозбірника знижує небезпеку, пов'язану з запиленістю.
- **Не дозволяйте звичці від частого використання пристрою стати причиною втрати пильності та не ігноруйте правила безпеки під час роботи з пристроєм.** Необережні дії можуть стати причиною серйозного травмування менш ніж за секунду.

ВИКОРИСТАННЯ ТА ДОГЛЯД ЗА ЕЛЕКТРОІНСТРУМЕНТОМ

- **Не перевантажуйте електроінструмент.** Використовуйте відповідний для вашої потреби електроінструмент. Електроінструмент виконає роботу краще і безпечніше при швидкості, для якої він був розроблений.
- **Не використовуйте електроінструмент, якщо перемикач не включає та вимикає його.** Будь-який електроінструмент, який не може управлятися за допомогою перемикача, є небезпечним і має бути відремонтований.
- **Перед здійсненням будь-яких налаштувань, заміною аксесуарів або зберіганням пристрою від'єднайте штекер від електричної мережі та/або вийміть акумулятор з електричного пристрою, якщо він знімний.** Такі профілактичні заходи безпеки зменшують ризик випадкового включення електроінструмента.
- **Зберігайте непрацюючі електроприлади у недоступному для дітей місці і не дозволяйте особам, які не знайомі з інструкціями електричного прилада або з даними інструкціями, працювати з електроприладами.** Електроінструменти небезпечні в руках недосвідчених користувачів.
- **Обслуговування електричного пристрою та аксесуарів.** Перевірте розрегульовані або зв'язані рухомі частини, поломані частини і будь-які інші умови, які можуть вплинути на роботу електроінструменту. Якщо пошкоджений, відремонтуйте електроінструмент перед використанням. Багато нещасних випадків є наслідком поганого догляду за електроінструментом.
- **Тримайте ріжучий інструмент гострим і чистим.** Добре доглянутий ріжучий інструмент з гострими ріжучими краївками рідше зв'язується і

легше контролюється.

- **Використовуйте електроінструмент, аксесуари та насадки відповідно до цих інструкцій, беручи до уваги умови роботи і роботу, що повинна бути виконана.** Використання електричного інструменту для операцій, які відрізняються від призначених, може призвести до небезпечної ситуації.
- **Тримайте ручки та різальні поверхні сухими, чистими та очищеними від олій та мастил.** Ковзкі ручки та різальні поверхні не призначені для безпечного утримування та контролювання пристрою у неочікуваних ситуаціях.

СЕРВІС

- **Дозволяйте обслуговувати ваш електроінструмент тільки кваліфікованому персоналу, використовуючи тільки ідентичні запасні частини.** Це буде гарантувати безпечне обслуговування електроінструменту.

ПОПЕРЕДЖЕННЯ З БЕЗПЕКИ ПІД ЧАС РОБОТИ З СВЕРДЛИЛЬНИМ ВЕРСТАТОМ

- **Свердло слід закріпити.** Неправильно закріплені свердла можуть перемищатися або перекидатися і можуть призвести до травмування.
- **Оброблювану деталь необхідно затиснути або закріпити на опорі для деталі.** Не просвердлюйте шматки, які занадто малі для надійного затиску. Тримання деталі вручну під час роботи може призвести до травми.
- **Не надягайте рукавички.** Рукавички можуть затягнути деталями, що обертаються або стружками, що призведе до травми.
- **Під час роботи інструменту тримайте руки поза областю свердління.** Контакт з деталями, що обертаються або стружками може призвести до травмування.
- **Переконайтеся, що аксесуар обертається перед тим як працювати з деталлю.** Інакше прилад може застрягнути в деталі, що призведе до несподіваного переміщення деталі та травмування.
- **Якщо прилад застряг, припиніть подачу тиску і вимкніть інструмент.** Перевірте та усуньте причини застрягання. Заклинювання може призвести до несподіваного переміщення деталі та травмування.
- **Уникайте генерування довгої стружки, регулярно перериваючи тиск вниз.** Гострі металеві стружки можуть заллутатися та спричинити травми.
- **Ніколи не виймайте стружку з зони свердління під час роботи інструменту.** Щоб видалити стружку, перемістіть інструмент з деталі, вимкніть інструмент та зачекайте, поки прилад припинить рух. Для видалення стружки використовуйте інструменти, такі як щітка або гачок. Контакт з деталями, що обертаються або стружками може призвести до травмування.



- Приладдя з номінальною швидкістю повинні працювати щонайменше на максимальній швидкості, позначеної на електроінструменті. Диски, які обертаються швидше за їх номінальну швидкість можуть розколотися і їх частини можуть розлетітися.
- Тримайте свердла чистими і гострими. Гострі свердла знижують втрату швидкості. Брудні і тупі свердла можуть викликати перекид матеріалу і травмувати оператора.
- Тримайте руки подалі від робочої зони. Тримайте руки подалі від свердла. Не надягайте просторий одяг, ювелірні прикраси, приборіть довге волосся і т.п., які можуть бути втягнутими на свердло.
- Завжди фіксуйте заготовки або скоби до колони, щоб запобігти обертанню. Заборонено утримувати руками заготовку в процесі свердління.
- Використовуйте рекомендовану швидкість відповідно до свердлувального приладдя і матеріалу заготовки.
- Переконайтеся, що свердло або ріжучий інструмент надійно закріплені в затискному патроні.
- Перед підключенням до джерела живлення або вмиканням, переконайтеся, що ключ патрона вийнятий з затискного патрона.
- Налаштуйте стіл або обмежувач глибини, щоб уникнути свердління в стіл. Перш ніж залишити пристрій вимкніть його, зніміть свердло і очистіть стіл.
- При користуванні лазером у жодному разі не направляйте його прямо в очі.
- Завжди перевіряйте, щоб лазерний промінь був спрямований на поверхню без відбивних властивостей. Блискучі світловідбивні матеріали не придатні для використання лазера
- Ніколи не розміщуйте свої пальці в положенні, коли вони могли би бути затягнуті під свердло або інший ріжучий інструмент, якщо слід негайно поміняти напрям заготовки.
- Ніколи не виконуйте будь-яку операцію шляхом переміщення головки або столу без налаштування один до одного. Не вмикайте двигун або не починайте роботу доки не перевірено, що головка і ручка фіксування опори столу надійно закріплені до колони та головка і хомути опори столу правильно встановлені.
- Перед запуском пристрою, переконайтеся, що захисний кожух ременя опущений і затискний патрон встановлено належним чином.
- Коли залишаєте пристрій, заблокуйте вимикач двигуна. Не розміщуйте, не складайте або не проводьте налаштування на столі, коли ріжучий інструмент обертається, включений або підключений до джерела живлення.
- Якщо шнур живлення пошкоджений, він повинен бути замінений тільки виробником

або в авторизованому сервісному центрі, щоб уникнути ризику.

- Зберігайте невикористовувані інструменти. Якщо не у використанні, інструменти повинні зберігатися в сухому закритому місці, поза досяжністю дітям.
- Рекомендуються, щоб інструмент завжди постачався з пристроєм залишкового струму, що має номінальний залишковий струм 30 мА або менше.
- Збережіть ці інструкції. Часто звертайтеся до них і проводити інструктаж для інших користувачів. Якщо ви позичаєте комусь цей інструмент, передавайте йому також цю інструкцію.

ПРАВИЛА БЕЗПЕКИ ЛАЗЕРА

- Пристрій працює на базі лазерного випромінювання 2 клас з максимальною довжиною хвилі 1мВт та 650 нм. Не дивіться на лазерний промінь. Недотримання правил може призвести до серйозних травм.
- Не дивіться на промінь під час роботи.
- Не спрямовуйте лазерний промінь прямо в очі інших. Це може спричинити серйозні травми очей.
- Не встановлюйте лазер в положенні, яке може спричинити навмисний або ненавмисний вплив лазерного проміння.
- Не використовуйте оптичні інструменти, щоб подивитися на лазерний промінь.
- Не використовуйте лазер навколо дітей і не дозволяйте дітям управляти лазером.
- Не намагайтеся ремонтувати прилад лазера самостійно.
- Не намагайтеся змінити які-небудь частини лазерного пристрою самостійно.
- Будь-які ремонтні роботи повинні виконуватися тільки виробником лазера або авторизованим сервісним агентом.
- Не заміняйте лазер іншим типом.

ЗАЛИШКОВІ РИЗИКИ

Навіть коли продукт використовується як написано, залишається неможливим повністю усунути деякі залишкові чинники ризику. Оператор повинен приділяти особливу і підвищену увагу до цих пунктів для того, щоб знизити ризик отримання серйозної травми.

- Пошкодження слуху - Надягайте засоби захисту для органів слуху та обмежуйте час роботи.
- Травми ока - При експлуатації приладу користуйтеся захисними щитками для очей або захисними окулярами.
- Травми спричинені вібрацією. - Зробіть обмеження впливу і дотримуйтесь інструкцій по зниженню ризику в цьому посібнику.
- Дихальні пошкодження від пилу, створеного експлуатацією продукту - Носіть відповідний

захист в залежності від типу пилу.

⚠ ПОПЕРЕДЖЕННЯ

Деякий пил, створений потужним шліфуванням, пилянням, шліфуванням, свердлінням та інших будівельними роботами містять хімічні речовини, які можуть викликати рак або вроджені дефекти та інші репродуктивні порушення. Деякі приклади цих хімікатів:

- свинець з фарба на свинцевій основі
- кристалічний кремній з цегли та цементу та інших продуктів кладки
- миш'як і хром з хімічно обробленої деревини

Ваш ризик від цих впливів змінюється, залежно від того, як часто ви робите цей тип роботи. Для того, щоб мінімізувати можливі ризики від цих хімічних речовин, слід працювати у добре провітрюваному місці зі схваленими захисними засобами, такими як маски від пилу, які спеціально розроблені, щоб відфільтрувати мікроскопічні частинки.

ЕЛЕКТРИЧНА ЧАСТИНА

Подовжувачі 3-дротові, які мають 3-контактне заземлення вилки і 3-полюсні приймачі для підключення вилки інструменту. При використанні електроінструменту на значній відстані від джерела живлення, обов'язково використовуйте подовжувач, який має потенціал, щоб впоратися з потрійним для продукту електроживленням. Занадто короткий дрот викликає падіння напруги в мережі, що може стати причиною втрати належної потужності та перегрівання двигуна.

Перед використанням подовжувача, огляньте його на предмет пошкоджень, оголених дротів або зношеної ізоляції.

⚠ ПОПЕРЕДЖЕННЯ

Тримайте подовжувач поділі від робочої зони. Коли працюєте з електроприладом, розміщуйте дрот таким чином, щоб не зачепити його пиломатеріалами, інструментами або іншим чином. Невиконання цієї вимоги може призвести до серйозних травм.

⚠ ПОПЕРЕДЖЕННЯ

Перевіряйте подовжувач перед кожним використанням пристрою. Якщо він пошкоджений, замініть негайно. Заборонено використовувати пристрій із пошкодженим дротом, контакт із пошкодженою ділянкою може стати причиною ураження електричним струмом та серйозних травмвань.

ЕЛЕКТРИЧНЕ ПІДКЛЮЧЕННЯ

Цей інструмент працює від вбудованого електродвигуна. Він повинен бути підключений тільки до мережі змінного струму 220-240 В (стандартна побутова електрична мережа), 50 Гц. Не використовуйте цей продукт з постійним струмом (ПС). Значне падіння напруги призведе до втрати потужності та мотор буде перегріватися. Якщо продукт не працює, коли підключений до розетки, перевірте електроживлення.

ШВИДКІСТЬ І ПРОВІДКА

Ця швидкість не постійна і зменшується при навантаженні або при більш низькій напрузі. Для напруги, проводка в майстерні так само важлива, як кількість кілських сил для двигуна. Лінія призначена тільки для живлення освітлення, непридатна для двигуна електроінструменту. Дріт, який є досить важким для короткої відстані буде занадто легким для більшої відстані. Лінія, яка живить лише один механічний інструмент не в змозі живити два або три інструменти.

ІНСТРУКЦІ ЩОДО ЗАЗЕМЛЕННЯ

У разі виникнення несправності або поломки, заземлення забезпечує шлях найменшого опору електричному струму, щоб зменшити ризик ураження електричним струмом. Цей інструмент має електричний шнур з заземлюючим дротом і заземлювальну вилку. Вилка повинна бути підключена до відповідної розетки, яка встановлена належним чином і заземлена відповідно до всіх місцевих нормативів і правил.

Не змінюйте вилку. Якщо розетка не придатна для приладу, встановити належну розетку за допомогою кваліфікованого електрика. Неналежне під'єднання провідника заземлення може призвести до ризику ураження електричним струмом. Провідник з зовнішньою ізоляцією зеленого кольору з жовтими смужками або без них - це провідник заземлення. Якщо потрібний ремонт або заміна електричного кабелю або штекера, не намагайтеся підключати заземлювальний провідник до клеми під напругою.

Негайно замініть або відремонтуйте пошкоджений чи зношений дрот.

РЕКОМЕНДОВАНЕ ПРИЛАДДА

⚠ ПОПЕРЕДЖЕННЯ

Використовуйте лише приладдя, рекомендоване для цього пристрою.

Дотримуйтесь інструкцій, які надаються разом з приладдям. Використання невідповідного приладдя може стати причиною ризику.

- Свердло
- Фіксувальні хомути
- Тиски свердлильного верстату

⚠ ПОПЕРЕДЖЕННЯ

Використовуйте приладдя, яке призначене тільки для цього пристрою, щоб уникнути пошкодження від зламаних частин або заготовок, що вилітають.

Не використовуйте приладдя, якщо ви не повністю прочитали вказівки або інструкцію з використання для цього приладдя.

ВМІСТ КОРОБКИ

РОЗПАКУВАТИ І ПЕРЕВІРИТИ ВМІСТ

⚠ ПОПЕРЕДЖЕННЯ

Якщо будь-яка деталь відсутня або пошкоджена, заборонено вмикати пристрій доки відсутня або пошкоджена деталь не буде замінена, і збірка не завершена.

Обережно розпакуйте пристрій і всі його деталі, і порівняйте зі списком нижче.

Для того, щоб захистити пристрій від вологи, на поверхні пристрою було нанесене захисне покриття. Видаліть це покриття м'якою тканиною, змоченою в гасі або WD-40.

⚠ ПОПЕРЕДЖЕННЯ

Щоб уникнути пожежі або токсичної реакції, ніколи не використовуйте бензин, лігроїн, ацетон, розчинники лаку або аналогічні легколеткі розчинники для очищення пристрою.

Нанесіть шар пасти з воску на стіл, колону і контактні поверхні основи для запобігання іржі. Ретельно протріть всі деталі чистою сухою тканиною.

Деталь	Опис	Кількість
1	Вузол голівки	1
2	Таблиця	1
3	Основа	1
4	Стійка	1
5	Вузол колони	1
6	Кільце стійки	1
7	Ручки подачі	3
8	Черв'ячна передача	1
9	Ручка фіксування столу	1
10	Зігнута ручка столу	1
11	Болти з шестигранною головкою	3

12	Затискний патрон	1
13	Ключ патрона	1
14	Шестигранний ключ 4 мм	1
15	Шестигранний ключ 3 мм	1

МОНТУВАННЯ І НАЛАШТУВАННЯ

⚠ ПОПЕРЕДЖЕННЯ

Для вашої власної безпеки, ніколи не підключайте вилку до розетки джерела живлення, поки всі етапи збірки не завершені, і ви не прочитали і не зрозуміли інструкції з техніки безпеки та експлуатації.

⚠ ПОПЕРЕДЖЕННЯ

Пристрій являє собою важкий електроінструмент і його слід підіймати за допомогою двох або більше осіб, щоб його безпечно змонтувати.

МОНТУВАННЯ КОЛОНИ ДО ПІДСТАВКИ

Дивіться малюнок 5.

1. Помістіть підставку на рівну, надійну поверхню.
2. Зіставте отвори для гвинтів у вузлі колони з різьбовими отворами у підставці.
3. Помістіть болт з шестигранною головкою у кожний отвір.
4. Затягніть кожний болт з шестигранною головкою за допомогою розвідного ключа.

МОНТУВАННЯ СТОЛУ ДО ВУЗЛА КОЛОНИ

Див. зобр. 6-10.

1. Вставте ручку фіксування скоби столу в різьбовий отвір в задній частині скоби столу.
ПРИМІТКА: Встановіть ручку зліва направо, так щоб вона увійшла попере до безрізьбової сторони скоби столу.
2. Подайте черв'ячну передачу крізь отвір ручки столу до скоби столу. Переконайтеся, що черв'ячна передача входить в зачеплення з внутрішньою шестернею.
ПРИМІТКА: Не видаляйте змащення з черв'ячної передачі.
3. Подайте стійку крізь проріз в скобі стола так, щоб зубці були повернуті назовні, а довгий гладкий кінець був звернений угору. Черв'ячна передача повинна знаходитися в зачепленні зі стійкою.
4. Використовуючи обидві руки, посуньте весь стіл і стійку на колону, поки нижня частина стійки не буде розміщена у манжеті підставки та проти колони.
5. Затягніть ручку фіксування скоби столу, щоб закріпити вузол столу до колони.
ПРИМІТКА: Не перетягуйте.
6. Зсуньте кільце стійки, стороною нахилу вниз,



на колону, поки нахилена сторона не увійде до зачеплення з нахильною стороною стійки.

- Затягніть регулювальний гвинт у манжеті за допомогою шестигранного ключа. Щоб уникнути пошкодження колони або манжети, не перетягуйте регулювальний гвинт.

ПРИМІТКА: Ви повинні бути в змозі переміщати стіл з боку в бік.

- Встановіть зігнуту ручку столу на кінці черв'ячної передачі так, щоб плоска сторона вала зрівнялася з регулювальним гвинтом.
- Затягніть регулювальний гвинт за допомогою шестигранного ключа.

МОНТУВАННЯ ГОЛОВКИ

Дивіться малюнок 11.

⚠ ПОПЕРЕДЖЕННЯ

Головка свердлильного верстата важка, і її слід піднімати за допомогою двох осіб, щоб безпечно змонтувати на колону.

- Помістіть головку на колону, коли патрон, розташований над столом.
ПРИМІТКА: Інструмент важкий. При необхідності, зверніться по допомогу.
- Посуньте головку вниз до упору. Зіставте вузол столу з підставою, а потім затягніть два регулювальні гвинти голівки за допомогою шестигранного ключа.

МОНТУВАННЯ РУЧОК ПОДАЧІ

Дивіться малюнок 12.

- Прикрутіть три ручки подачі у різьбові отвори вузла втулки.

ВСТАНОВЛЕННЯ ЗАТИСНОГО ПАТРОНА

Див. зобр. 13-15.

⚠ ПОПЕРЕДЖЕННЯ

Перш ніж встановити патрон до головки свердлувального верстата, очистіть всі поверхні, що стикаються, засобом без вмісту бензину. Будь-яка олива або мастило, які використовувалися на цих частинах повинні бути видалені, інакше патрон може ослабнути під час роботи.

- Очистіть кінцевий отвір у патроні чистою тканиною з чистячим засобом без вмісту алкоголю. Ретельно протріть всі залишки оливи і бруду.
- Очистіть кінцеві поверхні на шпинделі таким же чином, як описано вище.

ПРИМІТКА: Переконайтеся, що немає ніяких сторонніх часток, що стирчать на поверхні. Найменша частка бруду або оливи, що знаходиться на будь-якій з цих поверхонь буде перешкоджати належному положенню патрона. Це може призвести до того, що патрон потрохи

може розгойдатися.

- Розміщення патрона на шпинделі. Патрон повинен бути повністю відкритий, щоб не пошкодити лещата.
- Розблокуйте фіксатор опори столу і змістіть стіл від нижньої частини затискного патрона.
- Вставте патрон на шпиндель, підштовхуючи весь шлях догори.
- Використовуючи шматок деревини, щоб захистити патрон, постукуванням встановіть патрон на місце, використовуючи киянку або молоток.

⚠ УВАГА

Ризик пошкодження. Щоб уникнути пошкодження затискного патрона, ніколи не установлюйте патрон на шпиндель за допомогою металевого молотка.

ВИДАЛЕННЯ ЗАТИСНОГО ПАТРОНА

- Поверніть ручки подачі, щоб опустити патрон в крайнє нижнє положення.
- Помістіть прокладку кулькового з'єднання (не показана) на патрон і змістіть її злегка за допомогою молотка або гумового молотка, щоб змусити патрон впасти зі шпинделя.
ПРИМІТКА: Ніколи не бийте молотком або гумовим молотком безпосередньо по патрону.

ПРИМІТКА: Щоб уникнути можливого пошкодження патрона, по перш підійміть лещата на саму гору і будьте готові, зловити патрон, як тільки він буде падати.

ВСТАНОВЛЕННЯ СВЕРДЛУВАЛЬНОГО ВЕРСТАТА НА РОБОЧУ ПОВЕРХНЮ

Дивіться малюнок 16.

Якщо пристрій буде використовуватися у постійному місці, закріпіть його на верстаті або на іншій стійкій поверхні.

Якщо пристрій повинен бути використаний в якості портативного інструменту, слід закріпити його стаціонарно на монтажній підставці, яка може легко фіксуватися на верстаку або на іншій опорній поверхні. Монтажна плита повинна бути достатнього розміру, щоб уникнути перекидання пристрою під час використання. Для цього рекомендується використовувати будь-яку фанеру або ДСП належної якості товщиною 19 мм (3/4").

- Позначте отвори на поверхні, де повинен бути встановлений свердлувальний верстат за допомогою отворів у підставці свердлувального верстату у якості шаблону для розмітки отворів.
- Просвердліть отвори через монтажну поверхню.
- Помістіть свердлильний верстат на монтажній поверхні, поєднавши отвори на підставі з просвердленими отворами у монтажній поверхні.
- Вставте болти (не входять в комплект) і надійно затягніть разом з пружинними шайбами і шестигранними гайками (не входять в комплект).
При використанні болтів із квадратною голівкою,



переконайтеся, що вони досить довгі, щоб пройти крізь отвори у підставці свердлувального верстату і матеріал, до якого монтується пристрій. Якщо використовуються машинні болти, переконайтеся, що болти досить довгі, щоб пройти крізь отвори у підставці свердлувального верстату і матеріал, до якого монтується верстат, пружинні шайби і шестигранні гайки.

ПРИМІТКА: Всі болти повинні бути вставлені зверху. Встановіть стопорні шайби і шестигранні гайки з нижнього боку верстата.

Після того, як пристрій надійно закріплений на твердій поверхні:

1. Перевірте наявність вібрації, коли двигун включений.
2. При необхідності налаштуйте і затягніть кріплення.
3. Перевірте збірку столу, щоб забезпечити плавний рух вгору і вниз по колоні.
4. Перевірте, щоб переконатися, що вал шпинделя плавно переміщається.

ЗБЕРІГАННЯ КЛЮЧА ЗАТИСКОГО ПАТРОНА

Дивіться малюнок 17.

Держак для ключа затискного патрона розташований з правого боку пристрою.

СВЕРДЛІННЯ ПІД НАХИЛОМ

Дивіться малюнок 18.

ПРИМІТКА: Шкала нахилу використовується для вимірювання приблизного кута нахилу. Якщо необхідна точність, для позиціонування столу слід використовувати прямокутник або інший вимірювальний інструмент. Для того, щоб використати шкалу нахилу:

1. Затягніть гайку стопорного штифта за допомогою 10 мм або розвідного ключа за годинниковою стрілкою, щоб зняти штифт на опорі столу. Цей штифт буде необхідний при поверненні столу на 0 градусів від опори столу. Не викидайте.
2. Ослабте болт фіксування нахилу столу з великою шестигранною головкою за допомогою 17 мм або розвідного гайкового ключа.
3. Нахиліть стіл, поєднавши необхідний вимір кута з нульовою лінією шкали.
4. Затягніть фіксувальний болт нахилу столу
5. Щоб повернути стіл у його початкове положення, ослабте стопорний болт нахилу кабелю. Поверніть стіл у положення 0°.
6. Поверніть гайку на стопорний штифт на зовнішній кінець різьби. Обережно постукайте по стопорному штифту, використовуючи гумовий молоток, поки він не буде вставлений у з'єднувальний отвір скоби столу. Затягніть гайку вручну.

ПРИМІТКА: Стіл був видалений з ілюстрації для ясності.

⚠ ПОПЕРЕДЖЕННЯ

Щоб уникнути травм завжди відключайте вилку з джерела живлення під час виконання будь-яких регулювань.

ШПИНДЕЛЬ / ВИСУВНИЙ ШПИНДЕЛЬ

Дивіться малюнок 20.

Поверніть ручки подачі проти годинникової стрілки, щоб опустити шпиндель в крайнє нижнє положення. Утримуючи затискний патрон, перемістите його спереду назад. Якщо є надмірний люфт, виконайте наступні коригування:

1. Ослабте контргайку, розташовану з правого боку пристрою, використовуючи 10 мм гайковий ключ.
2. Поверніть гвинт за годинниковою стрілкою, щоб усунути додатковий люфт, використовуючи плоску викрутку, але не перешкоджаючи руху вгору шпинделя. (Невеликий люфт у шпинделі є нормальним.)
3. Затягніть контргайку.

ПРУЖИНА ПОВЕРНЕННЯ ВИСУВНОГО ШПИНДЕЛЯ

Дивіться малюнок 21.

Пружина повернення висувного шпинделя може потребувати коригування, якщо швидкість повернення занадто швидко або занадто повільно. Ця пружина розташована з лівого боку головки.

1. Опустіть стіл для отримання додаткової відстані.
2. Помістіть викрутку у нижній передній зазор ковпачка пружини. Тримайте на місці, послаблюючи чи знімаючи тільки зовнішню контргайку за допомогою гайкового ключа 10 мм.
3. За допомогою викруткі все ще вставленої у зазор, ослабте внутрішню гайку поки зазор від'єднається від виступу на головці свердлувального верстата.
ПРИМІТКА: Не знімайте цю внутрішню гайку, тому що пружина примусово ослабне.
4. Обережно поверніть ковпачок пружини проти годинникової стрілки за допомогою викруткі, залучаючи наступний зазор.
5. Опустіть висувний шпиндель в крайнє нижнє положення, повернувши ручку подачі в напрямку проти годинникової стрілки, утримуючи кришку пружини в потрібному положенні.
6. Якщо висувний шпиндель рухається вгору і вниз, як вам потрібно, затягніть внутрішню гайку на ковпачку пружини та гайковий ковпачок ключем. Якщо занадто слабо, щоб затягнути, повторіть кроки з 3 по 5. Якщо занадто туго, кроки 4 і 5.
7. Закріпіть зовнішню гайку на внутрішній гайці гайковим ключем.

ПРИМІТКА: Не затягуйте і не обмежуйте переміщення шпинделя.

НАТЯГ РЕМЕНЯ

Дивіться малюнок 22.

1. Відкрийте кришку шківа.



- Для того, щоб розблокувати натяг ремня, поверніть ручку фіксації натягу ремня з правого боку головки свердлувального верстата проти годинникової стрілки.
- Посуньте двигун в сторону передньої частини пристрою, щоб послабити натяг ремня.
- Встановіть ремінь на правильні кроки шківа для бажаної швидкості.
- Штовхніть на двигун від головки верстату, поки ремінь не буде належно натягнутий.
ПРИМІТКА: Натяг ремня є належним, якщо ремінь відхиляється приблизно на 13 мм (1/2 ") при натисканні на нього в центрі.
- Затягніть фіксатор натягу ремня, щоб закріпити двигун у необхідному положенні. Зачиніть кришку шківа.

ПЕРЕВІРКА / РЕГУЛЮВАННЯ ЛАЗЕРА

Пристрій обладнаний лазером Tlaser®.

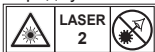
Лазерний промінь дозволить вам побачити шлях свердла до заготовки, що потрібно просвердлити, перш ніж почати роботу.

⚠ ПОПЕРЕДЖЕННЯ

Уникайте прямого контакту з очима

Лазерне світло випромінюється, коли лазер включений. Уникайте прямого контакту з очима Перш ніж здійснювати будь-які налаштування вимкніть пристрій з джерела живлення.

- Лазерний покажчик-це не іграшка, його заборонено давати дітям. Неналежне використання цього приладу може призвести до непоправних травм очей.
- Будь-яке коригування для збільшення потужності лазера заборонено.
- При використанні лазерного покажчика, не наводьте лазерний промінь в бік людей і / або на відбивальні поверхні. Навіть лазерний промінь низької інтенсивності може викликати пошкодження очей. Не дивіться на лазерний промінь.
- Лазерний покажчик не містить компонентів обслуговування. Ніколи не відкривайте корпус для ремонту або коригування.
- Попереджувальне маркування на лазері:



- Ніколи не знімайте та не стирайте попереджувальне маркування на пристрої. Видалення маркування збільшує ризик впливу радіації.
- УВАГА: Використання елементів управління, налаштувань або виконання операцій, відмінних від тих, які вказані в інструкції, може призвести до радіоактивного опромінення.
- Не намагайтеся ремонтувати або розбирати

лазерний рівень. В разі здійснення ремонту цього пристрою некваліфікованими особами, це може призвести до серйозних травм. Ремонт цього лазерного приладу в разі необхідності повинен проводитися уповноваженим персоналом сервісного центру.

- УВАГА: Використання оптичних приладів з цим пристроєм збільшує небезпеку для очей

⚠ ПОПЕРЕДЖЕННЯ

Не використовуйте темні окуляри для посилення лазерного світла. Темні окуляри дозволять знизити загальне бачення щодо застосування і привести до порушення нормальної роботи інструменту

⚠ ПОПЕРЕДЖЕННЯ

Лазерне випромінювання. Ніколи не направляйте промінь на заготовку з поверхнею, що відбиває. Не рекомендовано використання лазера з блискучими листами сталі, що відбивають світло або з аналогічними поверхнями. Поверхня, що відображає може відбити промінь назад на оператора або інших осіб.

НАЛАШТУВАННЯ ЛАЗЕРНИХ ЛІНІЙ

Дивіться малюнок 23.

Перевірте центрування лазера для того щоб забезпечити точку перетину лазерних ліній саме в тому місці, де свердло зустрічається з заготовкою. Якщо центрування не має, лазерні лінії повинні бути відрегульовані за допомогою ручок регулювання лазера, розташованих на протилежних боках вузла головки.

- Позначте "X" на шматку деревини.
- Вставте невелике свердло в затисний патрон і направте його наконечник у перетин ліній "X".
- Прикріпіть дошку до столу.
- Увімкніть лазерний покажчик і перевірте схрещення лазерних ліній відповідно до "X" на заготовці.
- Якщо лазерні лінії не збігаються, ослабте регулювальні гвинти на кожному з корпусів лазера за допомогою шестигранного ключа і повертайте ручки регулювання лазера поки лінії не зустрінуться в центрі "X". Надійно затягніть регулювальні гвинти.

ФУНКЦІОНУВАННЯ

⚠ ПОПЕРЕДЖЕННЯ

Не дозволяйте обізнаності про продукт зробити вас небалим. Пам'ятайте, що необережної частки секунди достатньо, щоб завдати серйозної травми.



⚠ ПОПЕРЕДЖЕННЯ

Під час роботи з приладом завжди надягати захисні окуляри або захисні окуляри з боковими щитками. Недотримання цієї вимоги може привести до попадання об'єктів в очі, що може спричинити можливі серйозні травми.

⚠ ПОПЕРЕДЖЕННЯ

Не використовуйте будь-які пристосування або принадлежности, які не рекомендовані виробником приладу. Використання не рекомендованих насадок або приладдя, може призвести до серйозних травм.

⚠ ПОПЕРЕДЖЕННЯ

Щоб уникнути травм, тримайте захисний щиток закритим на місці, доки інструмент знаходиться в робочому стані.

ЗМІНА ШВИДКОСТІ І РОЗМІЩЕННЯ РЕМЕНЯ

Дивіться малюнок 24.

Швидкість шпинделя визначається розташуванням ремня на шківі всередині вузла головки. Діаграма швидкості, розташована на внутрішній стороні кришки вузла головки, показує рекомендовану швидкість і конфігурацію шківа для кожної операції свердління.

Щоб змінити конфігурацію шківа:

1. Підніміть кришку шківа
2. Ослабте натяг болту.
3. Зніміть ремінь.
4. Переставте ремінь відповідно до діаграми швидкості.
5. Знову затягніть болт.

ПРИМІТКА: Зверніться до розділу "Рекомендована швидкість свердління" щодо рекомендацій по вибору розміру свердла і швидкості свердління.

РЕКОМЕНДОВАНА ШВИДКІСТЬ СВЕРДЛІННЯ

ТАБЛИЦЯ ШВИДКОСТІ СВЕРДЛІННЯ (ОБР)			
Діаметр свердла (Дюйми)	Матеріал		
	Дерево Пластик	Алюміній Цинк Латунь	Метал Сталь
1/16	2430	2430	2430
1/8			1800
3/16	1800	1300	1300
1/4			800
5/16	1300	800	800
3/8			800
1/2	1800	800	510

Перемикач включення/вимикання

Дивіться малюнок 25.

Щоб включити інструмент:

1. Натисніть кнопку вмикання ON (I).

Для виключення інструменту:

1. Натисніть кнопку вимикання OFF (O).

⚠ ПОПЕРЕДЖЕННЯ

Перш ніж вмикати пристрій завжди переконайтеся, що заготовка не знаходиться в контакті з свердлом. Недотримання цього попередження може привести до того, що заготовку викине назад у напрямку до оператора, що може спричинити серйозні травми.

МОНТУВАННЯ ТА ДЕМОНТУВАННЯ СВЕРДЕЛ

Дивіться малюнок 26.

1. Вимкніть пристрій.
2. Відкрийте або закрийте кулачок патрону так, щоби отвір був трохи більшим за розмір свердла, яке ви збираєтесь використовувати.
3. Вставте свердло в затискний патрон по всій довжині лещат.

⚠ ПОПЕРЕДЖЕННЯ

Якщо ви не вставили свердло у лещата патрона, а затягнули, як показано на малюнку 19. Це може привести до того, що свердло може бути викинуте з пристрою, що призведе до можливих серйозних травм або пошкодження патрона.

4. Надійно затягніть лещата патрона використовуючи ключ затискного патрона, який постачається разом. Не використовуйте гайковий ключ для затягування або ослаблення патрону.
5. Видаліть ключ затискного патрона.
6. Щоб зняти свердло, виконайте кроки, перераховані вище, у зворотному напрямку.

⚠ ПОПЕРЕДЖЕННЯ

Щоб уникнути травм або нещасного випадку з причини викидання ключа з затискного патрона, коли вмикається живлення "ON", використовуйте тільки ключ патрона, якій самостійно виштовхується і входить у комплект поставки свердлильного верстату. Завжди перш ніж включити живлення "ON" слід перевірити ще раз чи вийнятий ключ із затискного патрона. Помістіть ключ затискного патрона в тримач для зберігання, коли він не використовується.



СВЕРДЛІННЯ НА ПЕВНУ ГЛИБИНУ

Свердління глухих отворів (не до кінця заготовки) на задану глибину можна виконати двома способами:

Метод заготовки

Дивіться малюнок 27.

1. Відзначте глибину отвору на боці заготовки.
2. За допомогою перемикача "OFF", опустіть свердло вниз, поки наконечник не зрівняється з відміткою.
3. Тримайте ручку подачі в цьому положенні.
4. Прокрутіть нижню гайку вниз до контакту з упором глибини на головці.
5. Змістіть верхню гайку вниз і затягніть біля нижньої гайки.
6. Свердло тепер зупиниться після проходження дистанції, зазначеної на заготівлі.

Метод глибини шкали

Дивіться малюнок 28.

ПРИМІТКА: Коли патрон в верхньому положенні, наконечник свердла повинен бути трохи вище верхньої частини заготовки.

1. За допомогою перемикача "OFF", повертайте ручку подачі, доки стрілка вкаже на потрібну глибину на шкалі глибини і тримайте ручку подачі в цьому положенні.
2. Змістіть нижню гайку вниз до контакту з упором глибини.
3. Змістіть верхню гайку вниз до нижнього упору і затягніть.
4. Свердло тепер зупиниться після проходження дистанції, обраної на шкалі глибини.

Свердління отворів

1. Використовуючи кернер або гострий цвях, зробіть поглиблення в заготівлі, де ви хочете зробити отвір.
2. Увімкніть лазерний покажчик і перевірте вирівнювання лазерних ліній до поглиблення.
3. Увімкніть вимикач живлення і потягніть вниз ручки подачі з достатнім зусиллям, щоб свердло почало різати.

Занадто швидка подача може привести до прослизання ременя або свердла, розривання заготовки або до злому свердла.

Під час свердління металу, може бути необхідно змастити наконечник свердла оливою для свердління металу, щоб захистити його від перегрівання.

ДЛЯ ВАШОЇ БЕЗПЕКИ

ПОПЕРЕДЖЕННЯ

Щоб уникнути небезпеки бути втягнутим у електроінструмент, не носіть просторий одяг, рукавички, краватки або прикраси. Завжди прибирайте довге волосся.

несправна, пошкоджена або зламана, негайно припинить роботу, поки ця частина не буде належним чином відремонтована або замінена.

2. Ніколи не розміщуйте свої пальці в положенні, у якому вони могли би бути затягнуті під свердло або інший ріжучий інструмент. Заготовка може несподівано зміститися, або ваша рука може зісковзнути.
3. Для того, щоб запобігти випадінню заготовки з ваших рук, вилітання, повертання на інструменті або руйнування, завжди належним чином підтримуйте вашу заготовку наступним чином:
 - Завжди розташовуйте додатковий матеріал (використовується під заготівлю), так щоб, він був розташований з лівого боку колони.
 - Всякий раз, коли це можливо, розміщайте заготовку з лівого боку колони. Якщо заготовка занадто коротка або стіл нахилений, надійно зафіксуйте її до столу, використовуючи пази столу.
 - При використанні тисків (не входять в комплект), завжди прикріплюйте їх до столу.
 - Ніколи не працюйте тримаючи заготовку в руках без підтримки на столі, за винятком режимів полірування або шліфування.
 - Перш ніж почати роботу на свердильному верстаті, надійно зафіксуйте головку і опору до колони, ручку столу до опори, а також стіл до ручки столу.
 - Заборонено рухати головку або стіл в той час як пристрій працює.
 - Перед початком операції, натисніть вимикач двигуна, щоб переконатися, що свердло або інший ріжучий інструмент не гойдається або на викликає вібрацію.
 - Якщо заготовка звисає зі столу та може впасти або наконечник не закріплено, зафіксуйте на столі або забезпечте допоміжну підтримку.
 - Використовуйте затискачі для незвичайних операцій, щоб належним чином прикріпити, захистити і встановити заготовку.
 - Використовуйте швидкість обертання шпинделя, рекомендовану для конкретної операції і матеріалу заготовки. Перевірте діаграму на внутрішній стороні кришки шківа або зверніться до розділу "Рекомендована швидкість свердління" для отримання інформації про швидкість свердління. Щодо використанні приладдя, зверніться до інструкції, що додається до кожного приладдя.
4. Ніколи не забирайтеся на стіл свердильного верстата, це може зламати його або перекинути весь свердильний верстат на вас.
5. Коли залишаєте пристрій, вимкніть живлення "OFF" на розетці.
6. Щоб уникнути отримання травм від падіння заготовок або контакту з інструментом, не монтуйте, не збирайте або не настроюйте нічого на столі, коли ріжучий інструмент обертається.



ПОЗИЦІОНУВАННЯ СТОЛУ І ЗАГОТОВКИ

Дивіться малюнок 29-30.

1. Закріпіть стіл до колони у такому положенні, щоб наконечник свердла знаходився трохи вище верхньої частини заготовки.
2. Завжди встановлюйте додатковий матеріал (брухт деревини) на столі під заготовку. Це захистить від розколювання або великих задирок на нижньому боці заготовки. Щоб зберегти додатковий матеріал від обертання, його слід розташувати впритул до лівої сторони колони.
3. Використовуйте відповідне приладдя для підвищення деталей.

⚠ ПОПЕРЕДЖЕННЯ

Для того, щоб заготовка або додатковий матеріал не падали в процесі свердління, СЛІД розміщати заготовку з лівого боку колони. Якщо заготовка або додатковий матеріал не досить довгий, щоб досягти колони, слід притиснути його до столу, щоб прикріпити заготовку. Незакріплена заготовка може спричинити травми.

⚠ ПОПЕРЕДЖЕННЯ

Тиски свердильного верстата повинні бути зафіксовані хомутами або болтами до столу, щоб уникнути травм під час обертання заготовки або пошкодження тисків чи частин свердел.

ФІКСУВАННЯ МІСЦЯ СВЕРДЛІННЯ

1. Використовуючи кернер або гострий цвях, зробіть поглиблення в заготівлі, де ви збираєтесь зробити отвір.
2. Увімкніть лазерний покажчик і перевірте вирівнювання лазерних ліній до поглиблення перш ніж вмикати верстат ON.

РЕГУЛЮВАННЯ НАХИЛУ СТОЛУ

Дивіться малюнок 31.

ПРИМІТКА: Опора столу має попередньо просвердлений отвір зі стопорним штифтом, вставленим для фіксації столу в попередньо просвердленому куті під нахилом 0°.

1. Затягніть гайку стопорного штифта за допомогою 10 мм або розвідного ключа за годинниковою стрілкою, щоб ослабити штифт на опорі столу. Цей штифт буде необхідний при поверненні столу на 0 градусів від опори столу
2. Ослабте болт фіксування нахилу столу з великою шестигранною головкою за допомогою 17 мм або розвідного гайкового ключа.

⚠ ПОПЕРЕДЖЕННЯ

Щоб уникнути травм, переконайтеся, що стіл і ручка столу закріплені, таким чином щоб стіл не повертався або не нахилився.

3. Нахиліть стіл, поєднавши необхідний вимір кута з нульовою лінією шкали.
4. Затягніть фіксувальний болт нахилу столу
5. Щоб повернути стіл у його початкове положення, послабте стопорний болт нахилу столу. Поверніть стіл у положення 0°.
6. Поверніть гайку на стопорний штифт на зовнішній кінець різьби. Обережно постукайте по стопорному штифту, поки він не буде вставлений у з'єднувальний отвір скоби столу. Затягніть гайку вручну.

⚠ ПОПЕРЕДЖЕННЯ

Щоб уникнути отримання травм від обертання або поломки інструменту, завжди надійно фіксуйте заготовки і додатковий матеріал до столу перед початком роботи свердлувальною верстата.

ПОДАЧА

1. Потягніть вниз ручки подачі з достатнім зусиллям, щоб дозволити свердлу різати.
2. Якщо подача занадто повільна, це може спалити свердло. Якщо подача занадто швидка, це може привести до прослизання ременя або свердла, розривання заготовки, ослаблення або до злому свердла.
3. Під час свердління металу, необхідно змастити наконечник свердла, щоб запобігти горінню заготовки і свердла.

ОБСЛУГОВУВАННЯ

⚠ ПОПЕРЕДЖЕННЯ

Для вашої власної безпеки, вимкніть перемикач OFF і витягніть вилку з розетки джерела живлення, перш ніж проводити техобслуговування або змащення свердильного верстату.

Регулярно здувайте тирсу або металеву стружку, які накопичуються всередині двигуна, корпусі шківа, на столі і робочій поверхні, використовуючи повітряний компресор або пилосос Завжди надягайте захисні окуляри при роботі з інструментом.

⚠ ПОПЕРЕДЖЕННЯ

Щоб уникнути ураження електричним струмом або пожежі, якщо кабель живлення зношений або пошкоджений іншим чином, слід негайно звернутися до сервісного центру, де кваліфікований електрик замінить його на новий.

ЗМАЩУВАННЯ

Все підшипники свердильного верстата змащені на заводі-виробнику. Вони не потребують додаткового обслуговування.

Періодично змащуйте привід і стійку, механізм
Оригінальні інструкції **337**

підйому столу, шпindelь стійки (зубці), висувний шпindelь. Опускайте шпindelь вниз і помірно змашуйте рукав шпindelя кожні три місяці.

ТРАНСПОРТУВАННЯ ТА ЗБЕРІГАННЯ

Дивіться малюнок 32.

Під час транспортування пристрою від'єднайте шнур живлення, та переконайтеся що всі деталі надійно закріплені. На Мал.32 зображено місця для утримання та підйому пристрою.

Зберігайте продукт в надійному місці, недоступному для дітей.

Очистіть продукт, використовуючи щітку та пилосос перед зберіганням.

СИМВОЛ



Попередження безпеки



Європейський знак відповідності



Британський знак відповідності



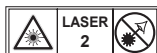
Український знак відповідності



Євразійський знак відповідності



Будь ласка, уважно прочитайте інструкцію перед запуском продукту.



Лазерне випромінювання.
Не дивіться на промінь.
Продукт лазера 2 класу



Захищати від дощу або не використовувати у сирих приміщеннях.



Носіть захист слуху



Завжди надягайте захисні окуляри.



Потужність патрону



Хід шпindelя



Вирівнювання свердління



Діаметр свердла (дюймів)



Дерево



Алюміній

Цинк

Латунь



Метал

Сталь

Не викидайте старе електричне та електронне устаткування разом із несорттованим побутовим сміттям. Старе електричне та електронне устаткування збирається окремо. З устаткування необхідно зняти старі джерела світла. За інформацією стосовно утилізації або місць збору звертайтеся до місцевої влади або дилера. Місцеве законодавство може зобов'язувати продавців безкоштовно приймати старе електричне й електронне устаткування. Ваш внесок до справи повторного використання та переробки старого електричного та електронного устаткування зменшує потребу у сировині. У старому електричному та електронному устаткуванні містяться цінні, придатні для повторного використання матеріали, і якщо утилізація такого устаткування проводиться у неекологічний спосіб, це негативно впливає на навколишнє середовище та людське здоров'я. Видаліть персональні дані з устаткування, яке передається на переробку.

ПОШУК І УСУНЕННЯ НЕСПРАВНОСТЕЙ

Проблема	Можлива причина	РІШЕННЯ
Гучна робота.	<ol style="list-style-type: none"> 1. Неправильний натяг ременя. 2. Шпindelь сухий. 3. Шків шпинделя ослаблений 4. Шків двигуна ослаблений. 	<ol style="list-style-type: none"> 1. Відрегулюйте натяг. Дивіться розділ "Натяг ременя". 2. Змастити шпindelь. Див. розділ "Змащення". 3. Перевірте герметичність кріпильної гайки на шкві, і при необхідності підтягніть. 4. Затягніть регулювальний гвинт на шкві електродвигуна.
Свердло горить.	<ol style="list-style-type: none"> 1. Неналежна швидкість. 2. Патрон не виходить з отвору. 3. Свердло тупе 4. Подача занадто повільна. 5. Не змащене. 	<ol style="list-style-type: none"> 1. Змініть швидкість. Див розділ "Зміна швидкості і заміна ременю". 2. Регулярно відводьте свердло та очищуйте стружку. 3. Заточіть свердло або замініть новим. 4. Подача досить швидка - дозволяє свердлу різати. 5. Змастить свердло. Див. розділ "Змащення".
Сточився наконечник свердла - просвердлені отвори не круглі.	<ol style="list-style-type: none"> 1. Жорсткі зерна в деревині або довжина прорізів і / або кути нерівні. 2. Свердло зігнуто. 	<ol style="list-style-type: none"> 1. Заточіть свердло належним чином. 2. Замініть свердло.
Дерев'яні уламки на нижньому боці.	<ol style="list-style-type: none"> 1. Не має додаткового матеріалу під заготовкою. 	<ol style="list-style-type: none"> 1. Використовуйте матеріал для підтримки. Див. розділ "Режими роботи".
Заготовка вирвалася з рук.	<ol style="list-style-type: none"> 1. Заготовка або не підтримується, або зафіксована неналежним чином. 	<ol style="list-style-type: none"> 1. Підтримуйте заготовку або зафіксуйте її. Див. розділ "Режими роботи".
Свердло застрягає в заготовці.	<ol style="list-style-type: none"> 1. Свердло затискається у заготовці або надмірний тиск подачі. 2. Неправильний натяг ременя 	<ol style="list-style-type: none"> 1. Підтримуйте заготовку або зафіксуйте її. Див. розділ "Режими роботи". 2. Відрегулюйте натяг. Дивіться розділ "Натяг ременя".
Надмірне розгойдування або биття свердла.	<ol style="list-style-type: none"> 1. Свердло зігнуто. 2. Підшипники зношені. 3. Свердло неправильно встановлено в патроні. 4. Патрон вставлений неправильно. 	<ol style="list-style-type: none"> 1. Використовуйте пряме свердло. 2. Замініти підшипники. 3. Встановіть свердло належним чином. Дивіться розділ "Режими роботи" і "Монтування і налаштування". 4. Встановіть затискний патрон належним чином. Дивіться розділ "Установка затискного патрона".
Висувний шпindelь повертається занадто повільно або занадто швидко.	<ol style="list-style-type: none"> 1. Пружина має неправильний натяг. 	<ol style="list-style-type: none"> 1. Відрегулюйте натяг пружини. Дивіться розділ "Пружина повертання висувного шпинделя".
Затискний патрон не буде залишатися прикріпленим до шпинделя. Падає при спробі встановлення.	<ol style="list-style-type: none"> 1. Бруд, мастило або олива на конічній внутрішній поверхні затискного патрона або на поверхні конічного шпинделя. 	<ol style="list-style-type: none"> 1. Щоб прибрати весь бруд, мастило і оливу використовуйте чистячі засоби на безалкогольній основі. Дивіться розділ "Установка затискного патрона".

AÇIKLAMA

1. Kafa tertibatı
2. Plaka
3. Taban
4. Raf
5. Sütun tertibatı
6. Raf halkası
7. Besleme kolları
8. Sonsuz dişli
9. Tezgah kilit kolu
10. Tezgah krank kolu
11. Altıgen cıvatalar
12. Mandren
13. Sıkma anahtarı
14. 4 mm alyan anahtarı
15. 3 mm alyan anahtarı
16. Düz Tornavida
17. İngiliz anahtarı
18. 12 mm anahtar
19. Çekiç ya da lastik tokmak
20. Ayarlı gönye
21. Tahta parçası
22. Motor
23. Lazer başı
24. Makara dönüş bobini / yayı
25. Tezgah braketı
26. Kasnak kapağı
27. Açma/kapama anahtarı
28. Lazer anahtarı
29. Üst emniyet muhafazası
30. Montaj deliği
31. Kafa kilitleme vidası
32. Kayış gerginliği kilit düğmesi
33. Sıkma anahtarı tutucu
34. Mil makarası
35. Motor makarası
36. Tezgah desteği
37. Tezgah krank kolu deliği
38. Sütun desteği
39. Ayar vidası
40. Kafa
41. Kafa kilitleme ayar vidası
42. Dişli delikler
43. Poyra
44. Mil
45. Cıvata x 2 (M12, dahil değildir)
46. Kilitli pul x 4 (Dia. 12mm, dahil değildir)
47. Lastik pul x 2 (Dia. 12mm, dahil değildir)
48. Yassı pul x 2 (Dia. 12mm, dahil değildir)
49. Kontra somun x 2 (M12, dahil değildir)
50. Altıgen somun x 2 (M12, dahil değildir)
51. Çalışma yüzeyi
52. Eğim cetveli
53. Tezgah eğikliği kilitleme cıvatası
54. Somun
55. Kontra somun
56. Vidalar
57. Alt ön anahtar dışı
58. Yay başlığı
59. Dış kontra somun
60. İç somun
61. Çentik
62. Topuz
63. Mandren çeneleri
64. Matkap ucu
65. Derinlik
66. Derinlik ölçeği göstergesi
67. Derinlik cetveli
68. Üst somun
69. Alt somun
70. Derinlik tespit mandalı
71. Üzerinde çalışılacak malzeme

Matkap tezgahınızın tasarımında güvenlik, performans ve güvenilirliğe en yüksek öncelik verilmiştir.

KULLANIM AMACI

Matkap tezgahı ahşap, plastik, alüminyum ve çelik malzemelerde delik açmak için kullanılır.

Ürün sadece talimat kılavuzunu okumuş olup, risk ve tehlikeleri anlayan yetişkin kullanıcılar tarafından kullanılmalıdır.

Ürün sağlam bir tezgah üzerine taban sabitlenecek şekilde tasarlanmıştır. Taban güvenli bir şekilde sabitlenmezse çalışma esnasında destekleyici yüzeyde tüm makinenin devrilme, kayma ya da yürüme durumu söz konusu olabilir bu da ciddi kişisel yaralanma riskini artırır.

Ürün kuru ortamlarda, mükemmel ortam aydınlatması ve uygun havalandırma koşullarında kullanılmalıdır.

Ürün sadece tüketici kullanımı için tasarlanmıştır, yukarıda anlatıldığı gibi kullanılmalı ve başka hiçbir amaç için kullanılmamalıdır.

ELEKTRİKLİ ALET İÇİN GENEL GÜVENLİK TALİMATLARI

⚠ UYARI

Bu aletle birlikte verilen tüm uyarı, talimat ve özellikleri dikkatlice okuyunuz ve resimli açıklamalara bakınız. Aşağıda belirtilen talimatlara uyulmaması, yangın, elektrik çarpması ve/veya ciddi bedensel yaralanmalar gibi kazalar sebep olabilir.

Tüm uyarıları ve talimatları daha sonra başvurmak üzere saklayın. Uyarılardaki "elektrikli alet" terimi şebeke elektrikle çalışın (kablolu) ya da pille çalışan (kablosuz) el aletini ifade eder.

ÇALIŞMA ALANI EMNİYETİ

- Çalışma alanını temiz ve iyi aydınlatılmış halde tutun. Dağınık ya da karanlık alanlar kazalara davetiye çıkarır.
- Elektrikli aletleri, yanıcı sıvıların, gazların veya tozların vb. bulunduğu patlayıcı ortamlarda çalıştırmayın. Elektrikli aletler buharı ateşleyebilecek kıvılcım çıkarırlar.
- Elektrikli bir alet çalışırken çocukları ve çevredekileri aletten uzak tutun. Dikkat dağılması kontrolünüzü kaybetmenize neden olabilir.

ELEKTRİKLE İLGİLİ GÜVENLİK

- Elektrikli aletin fişi elektrik prizine uymalıdır. Elektrik fişini asla modifiye etmeyin. Topraklanmış elektrikli aletlerle birlikte adaptör fişleri kullanmayın. Modifiye edilmiş fişler ve doğru prizler elektrik çarpması riskini azaltır.
- Borular, radyatörler ve buzdolapları gibi topraklanmış yüzeylere temastan kaçının. Vücudunuz topraklanmışsa elektrikle çarpılma

riskiniz çok yüksektir.

- Elektrikli aletleri yağmura veya ıslak ortamlara maruz bırakmayın. Elektrikli aletin içine giren su elektrik çarpması riskini çoğaltacaktır.
- Elektrik kablosunu kötü kullanmayın. Elektrikli aleti taşımak, çekmek ya da fişini çekmek için asla elektrik kablosunu kullanmayın. Kabloyu ısıdan, yağdan, keskin kenarlardan ve hareketli parçalardan uzak tutun. Hasarlı ya da dolaşmış kablolar elektrik çarpması riskini yükseltir.
- Elektrikli bir aleti dış mekanda kullanırken mutlaka dış mekanda kullanıma uygun bir uzatma kablosu kullanın. Dış mekana uygun bir uzatma kablosu kullanmak elektrik çarpması riskini azaltır.
- Elektrikli aleti nemli bir yerde kullanmak zorundaysanız, artık akım cihazı (RCD) korumalı bir besleme kullanın. RCD kullanımı elektrik çarpması riskini azaltır.

KİŞİSEL EMNİYET

- Bu cihazı kullanırken daima tetikte olun, ne yaptığınıza dikkat edin ve sağduyunuzu kullanın. Yorgunken, bir ilacın, alkolün veya ilaç tedavisinin etkisi altındayken alet kullanmayın. Elektrikli aletlerle çalışırken bir anlık dikkat eksikliği ciddi kişisel yaralanmalara neden olabilir.
- Kişisel koruyucu donanımlar kullanın. Her zaman koruyucu gözlük kullanın. Uygun koşullarda kullanılan toz maskesi, kaymaz emniyet ayakkabıları, sert şapka veya koruyucu kulaklık kişisel yaralanmaları azaltır.
- İstemsiz çalıştırmalardan kaçının. Güç kaynağı ve/veya pil paketine takmadan, ürünü kaldırmadan ya da taşımadan önce ürünün kapalı konumda olduğundan emin olun. Parmağınızı açma kapama düğmesindeyken elektrikli aletleri taşımak ya da düğmesi açık elektrikli aletleri çalıştırmak kazaya davetiye çıkarmaktır.
- Elektrikli aleti çalıştırmadan önce ayar anahtarını veya İngiliz anahtarını çıkarın. Elektrikli aletin dönen parçalarının üzerinde unutulmuş bir anahtar veya civata anahtar kişisel yaralanmalara neden olabilir.
- Aşırı derecede uzmanmayın. Her zaman güvenli ve dengede durun. Bu sayede elektrikli aletin beklenmedik durumlarda daha iyi kontrol edilmesi sağlanır.
- Uygun giysiler giyin. Bol giysiler giymeyin ya da takı takmayın. Saçlarınızı ve kıyafetlerinizi hareketli parçalardan uzak tutun. Bol elbiseler, takılar veya uzun saç hareketli parçalara kaptrılabilir.
- Toz boşaltma bağlantısı ve toplama araçları için sağlanan cihazlar varsa bunların bağlı olduğundan ve uygun kullanıldığından emin olun. Toz toplama aparatı kullanımı tozla ilgili tehlikeleri azaltabilir.
- Ürünü sık kullanmanın verdiği alışkanlığın dikkatsiz davranmanıza neden olmasına izin

vermeyin ve alet güvenliği ilkelerini göz ardı etmeyin. Dikkatsiz bir hareket saniyenin onda biri gibi bir sürede ciddi yaralanmalara yol açabilir.

ELEKTRİKLİ CİHAZ KULLANIMI VE BAKIMI

- **Alete güç uygulamayın. Yapacağınız uygulama işi doğru ürünü kullanın.** Doğru ürün tasarlandığı hızda işi daha iyi ve daha güvenli şekilde yerine getirecektir.
- **Düğmesinden açılıp kapatılmıyorsa elektrikli aleti kullanmayın.** Düğmesiyle kontrol edilemeyen elektrikli aletler tehlikelidir ve onarılması gerekir.
- **Herhangi bir ayar yapmadan ya da aksesuar değiştirmeden önce fişi güç kaynağından ve/veya pil takımını çıkartılabiliyorsa aletten çıkarın.** Bu gibi önleyici emniyet önlemleri ürünün kaza ile çalışma riskini azaltır.
- **Rölanti halindeki elektrikli aletleri çocukların ulaşamayacakları bir yerde muhafaza edin ve elektrikli aleti tanımayan veya kullanım talimatlarını bilmeyen kişilerin kullanımına izin vermeyin.** Elektrikli aletler deneyimsiz kişilerin ellerinde tehlikeli olabilir.
- **Elektrikli aletlerin ve aksesuarların bakımını yapın.** Aletin çalışmasına kötü etki edecek hareketli parçaları yanlış ayarlamalara veya sıkışmalara, kırık parçalara ve diğer olumsuz durumlara karşı kontrol edin. Alet hasar görürse tekrar kullanmadan önce onarımı yapılmış olmalıdır. Kazaların çoğu yetersiz olarak onarılan aletlerden kaynaklanmaktadır.
- **Kesme aletlerini keskin ve temiz tutun.** Keskin kenarlı, bakımı düzgün yapılmış kesme aletlerinin tutukluk yapma ihtimali daha düşüktür ve kontrolleri daha kolaydır.
- **Çalışma koşulları ve yapılacak işi göz önünde bulundurarak ürün, aksesuarlar ve alet parçaları vb.yi bu talimatlara uyarak kullanın.** Elektrikli aletin tasarladığından farklı bir işte kullanılması tehlikeli durumlara neden olabilir.
- **Tutamakların ve kavrama yüzeylerinin kuru, temiz, yağ ve gresten arınmış olmasını sağlayın.** Kaygan tutamaklar ve kavrama yüzeyleri güvenli kullanıma ve aletin beklenmedik durumlarda kontrol edilmesine imkan vermez.

SERVİS

- **Elektrikli aletin bakımını/onarımını sadece yetkili onarım personeline yaptırın, sadece orijinal yedek parça kullanılmasını sağlayın.** Böylece elektrikli aletinizin güvenliği korunmuş olur.

MATKAP TEZGAHI GÜVENLİK UYARILARI

- **Matkap ucunun tespit edilmesi gereklidir.** Gerekli gibi tespit edilmemiş bir matkap ucu hareket eder ya da devrilerle kişisel yaralanmaya neden olabilir.
- **İşlenecek parçanın işlenecek parça desteğine kenetlenmesi ya da tespit edilmesi gerekir.**

Güvenli bir şekilde kenetlenemeyecek kadar küçük parçaları delmeyin. İşlenecek parçayı işlem sırasında elle tutmak kişisel yaralanmaya yol açabilir.

- **Eldiven giymeyin.** Eldivenler dömer aksama ya da yondalara sıkışarak kişisel yaralanmaya yol açabilir.
- **Alet çıkışırken ellerinizi delme alanından uzak tutun.** Döner aksam veya yongalara temas etmek kişisel yaralanmaya yol açabilir.
- **İşlenecek parçayı beslemeden önce, aksesuarın döndüğünden emin olun.** Aksi halde aksesuar işlenecek parçanın içine sıkışarak işlenecek parçanın beklenmedik hareketine ve kişisel yaralanmaya yol açabilir.
- **Aksesuar sıkıştığında, aşağı doğru baskı uygulamayın ve aleti durdurun.** Araştırın ve sıkışmanın nedenini ortadan kaldıracak önlemleri alın. Sıkışma işlenecek parçanın beklenmedik hareketine ve kişisel yaralanmaya yol açabilir.
- **Aşağıya doğru baskıya düzenli olarak ara vererek uzun yonga oluşmasını engelleyin.** Keskin metal yongalar dolaşmaya ve kişisel yaralanmaya neden olabilir.
- **Alet çıkışırken asla işlem alanındaki yongaları temizlemeye çalışmayın.** Yongaları temizlemek için aksesuar işlenen parçadan uzaklaştırın, aleti kapatın ve aksesuarın durmasını bekleyin. Yongaları temizlemek için fırça veya kanca gibi aletler kullanın. Döner aksam veya yongalara temas etmek kişisel yaralanmaya yol açabilir.
- **Devir sınıflandırmasına sahip aksesuarların en az elektrikli cihaz üzerinde belirtilen azami hıza göre ayarlanmaları gerekir.** Nominal hızlarından daha yüksek bir hızda çalışan aksesuarlar kırışabilir veya fırlatabilir.
- **Matkap uçlarını temiz ve keskin tutun.** Matkap uçları keskin tekleme yapmaz. Kirli ve kör matkap uçları malzemenin yanlış hizalanmasına ve kullanıcının yaralanmasına neden olabilir.
- **Ellerinizi çalışma alanından uzak tutun.** Ellerinizi matkap ucundan uzak tutun. Matkap ucuna dolaşabilecek bol kıyafetler, takılar, uzun saç, vb.'yi uzak tutun.
- **Dönmeyi engellemek için her zaman çalışma parçasını mengene ile tutturun ya da sütuna bağlayın.** Delik açma esnasında nesneyi tutmak için asla elinizi kullanmayın.
- **Matkap aksesuarı ve çalışılan malzeme için tavsiye edilen hızı kullanın.**
- **Matkap ucu ya da kesme aletin matkap kovani içerisinde güvenli bir şekilde kilitlendiğinden emin olun.**
- **Ürünü güç kaynağına bağlamadan ya da gücü açmadan önce sıkıca mahtarını kovandan çıkardığınızdan emin olun.**
- **TezgaHI delmemek için tezgaHI ya da derinlik tespitini ayarlayın.** Makinenin yanından ayrıldandan önce gücü kapatın, matkap ucunu çıkarın ve tezgaHI

temizleyin.

- **Lazer kılavuzu kullanırken doğrudan göz temasından kaçının.**
- **Lazer ışığının yansımadan doğrudan yüzeye yönelmediğinden her zaman emin olun.** Lazerin parlak, yansıtıcı malzemeler üzerinde kullanımı uygun değildir.
- **Çalışma parçasının beklenmeden kayması durumuna karşı asla parmaklarınızı matkap ucu ya da diğer kesme araçlarına temas edebileceğik bir konuma yerleştirmeyin.**
- **Kafa ya da tezgahı birlikte hareket ettirerek asla herhangi bir işlem yapmayın.** Kafa ve tezgah destek kilit kolu sütuna sıkı bir şekilde mengene ile tutturulduğunu ve kafa ve tezgah destek bileziklerinin düzgün konumlandırıldığını kontrol etmeden önce motor düğmesini açmayın ya da herhangi bir işleme başlamayın.
- **Güç düğmesini devreye sokmadan önce kayış muhafazasını aşağı konumda olduğundan ve kovanın düzgün şekilde takıldığından emin olun.**
- **Ürünün yanından ayrılırken ürün kapama düğmesini kilitleyin.** Kesme aleti dönerken, çalışma düğmesi açıkken ya da güç kaynağına bağlıyken plan, montaj ya da kurulum çalışması gerçekleştirmeyin.
- **Elektrik kablosu hasar görmüşse tehlikeyi önlemek için sadece üretici veya yetkili bir servis merkezi tarafından değiştirilmelidir.**
- **Boşta duran aletler.** Kullanılmadıkları zamanlarda, aletleri kuru, kilitli ve çocukların ulaşamayacağı bir yerde saklayın.
- **Aletin her zaman 30 mA veya daha az atık akımlı bir atık akım cihazınca beslenmesi tavsiye edilir.**
- **Bu talimatı saklayın.** Sık aralıklarla talimatlara bakın ve diğer kullanıcıları bilgilendirmek için kullanın. Bu cihazı birisine ödünç olarak verirsiniz aynı zamanda bu talimatları da kendisine verin.

LAZER GÜVENLİĞİ

- Üründe kullanılan lazer radyasyon maksimum=1mW ve 650 nm dalga uzunluğu ile Sınıf 2'dir. Doğrudan lazer ışınına bakmayın. Kurallara uymamak insanların ciddi bir biçimde yaralanmalarına neden olabilir.
- Kullanım esnasında lazer ışınına bakmayın.
- Lazer ışınına başkalarının gözlerine yöneltmeyin. Ciddi göz yaralanmaları meydana gelebilir.
- Lazeri insanların lazer ışınına kasıtlı veya kazayla bakmasına neden olacak bir pozisyonunda koymayın.
- Lazer ışınına bakmak için hiç bir optik araç kullanmayın.
- Lazeri çocukların bulunduğu yerde çalıştırmayın veya çocukların lazeri çalıştırmasına izin vermeyin.
- Lazer cihazını kendiniz onarmaya çalışmayın.
- Lazer cihazının hiçbir parçasını kendiniz değiştirmeye çalışmayın.

- Her türlü onarım işlemleri sadece lazer üreticisi ya da yetkili bir servis tarafından gerçekleştirilmelidir.
- Lazeri farklı tipte bir lazerle değiştirmeyin.

ARDIL RİSKLER

Ürün belirtildiği şekilde kullanıldığı zaman bile belirli artık risk faktörlerinin tamamen ortadan kaldırılması mümkün değildir. Operatör ciddi kişisel yaralanma riskini azaltmak için bu hususlara özellikle çok dikkat etmelidir.

- İşitme hasarı – Uygun bir kulaklık takın ve maruziyeti sınırlayın.
- Görme hasarı – Bu ürünü kullanırken uygun bir göz koruması veya gözlük takın.
- Titreşim kaynaklı yaralanma - Maruz kalma süresini sınırlayın ve bu kılavuzdaki rüsk azaltma talimatlarına uyun.
- Ürün kullanılırken ortaya çıkan tozdan kaynaklanan solunum yolu rahatsızlığı – Tozun türüne göre uygun koruma tedbirlerini alın.

⚠ UYARI

Parlatma, testere ile kesme, pürüzleri yok ederek parlatma, delme ve diğer inşaat işlerinden meydana gelen bazı tozlar, kanserojen kimyasal maddeler içermektedir ve irsi anormalliklere yada kısırlık problemlerine sebep olabilir. Bu kimyasal ürünlerden bazı örnekler:

- kurşun, kurşun bazlı boyalarda,
- tuğların içerisinde, çimentoda ve başka duvar ürünlerinde bulunan kristal silis,
- kimyasal olarak işlenmiş ahşapta bulunan arsenik ve krom.

Bu ürünlere bağlı riskler, bu tip işlerde çalışmanın sıklığına bağlıdır. Bu tip ürünlere bağlı risklere maruz kalmayı azaltmak için, iyi havadar ortamlarda, mikroskopik zerrecikler için özel olarak üretilmiş toz engelleyici maskeler gibi normlara uygun güvenlik malzemesi ile çalışınız.

ELEKTRİK

Sadece 3 uçlu topraklı fişe ve ürünün fişine uygun 3 kutuplu prizlere sahip 3 telli uzatma kablolarını kullanın. Elektrikli bir alet, güç kaynağından oldukça uzak bir mesafede kullanırken ürünün çektiği akımı taşıyacak özelliklere sahip bir uzatma kablosu kullanın. Olması gerekenden daha zayıf bir uzatma kablosunun kullanılması güç kaybı ve motorun aşırı ısınmasına yol açan hat voltajının düşmesine neden olur.

Uzatma kablosu kullanmadan önce gevşek ya da açıkta kablo ve kesik ya da aşınmış yalıtım olup olmadığını kontrol edin.

⚠ UYARI

Uzatma kablosunu çalışma alanından uzak tutun. Elektrikli cihazınızı kullanırken güç kablosunu keresteye, aletlere veya engel niteliğinde olabilecek diğer nesnelere takılmayacağı şekilde yerleştirin. Bu uyarıya uymama, ciddi kişisel yaralanmalarına sebep olabilir.

⚠ UYARI

Her kullanımdan önce uzatma kablolarını kontrol edin. Hasar görmesi durumunda hemen değiştirin. Hasarlı alana dokunmak ciddi yaralanmalarla sonuçlanan elektrik çarpmalarına neden olabileceği için aleti asla hasarlı kabloyla kullanmayın.

ELEKTRİK BAĞLANTISI

Bu ürün hassasiyetle entegre edilmiş elektrik motorundan güç alır. Cihaz 220~240 V, sadece AC (evlerdeki mevcut normal akım), 50 Hz olan bir güç kaynağına bağlanmalıdır. Bu cihaz doğru akımda (DC) çalıştırmayın. Önemli bir voltaj düşmesi güç kaybına neden olur ve motor aşırı ısınır. Bir prize taktığınızda cihaz çalışmıyorsa güç kaynağını ikin kez kontrol edin.

HIZ VE KABLO SİSTEMİ

Bu hız sabit değildir ve yük veya düşük gerilim altında düşer. Gerilim için, kablo sisteminin bir atölyede yapılması motorun beygir gücü derecelendirmesi kadar önemlidir. Sadece aydınlatma için tasarlanmış bir hat bir elektrikli aletin motorunu tam olarak taşıyamaz. Kısa bir mesafe için yeterli kadar ağır olan kablo dada uzun bir mesafe için hafif olacaktır. Bir elektrikli aleti destekleyebilen bir hat iki veya üç elektrikli aleti destekleyemeyebilir.

TOPRAKLAMA TALİMATLARI

Bir aksaklık veya arıza durumunda topraklama sistemi elektrik çarpması riskini azaltmak amaçlı elektrik akımı için minimum direnç yolunu sağlar. Bu cihazda, cihaz topraklama kablosuna ve topraklama fişine sahip bir elektrik kablosu bulunmaktadır. Fiş, tüm yerel kurallara ve yasalara uygun doğru olarak takılmış ve topraklanmış uygun bir prize takılmalıdır.

Ürünle birlikte verilen fiş üzerinde değişiklik yapmayın. Fiş prize uymazsa uzman bir elektrik teknisyenine uygun bir fiş taktırın. Ekipman topraklama iletkeninin doğru şekilde bağlanmaması elektrik çarpması riskine neden olabilir. Sarı çizgili ya da çizgisiz yeşil yalıtımlı iletken ekipman topraklama iletkenidir. Elektrik kablosu ya da fişinin tamir edilmesi ya da değiştirilmesi gerekiyorsa ekipman topraklama iletkenini elektrik olan bir terminale bağlamayın.

Hasar görmüş veya eskimiş kabloyu hemen onarın ya da değiştirin.

TAVSİYE EDİLEN AKSESUARLAR

⚠ UYARI

Yalnızca bu ürün için tavsiye edilen aksesuarlar kullanın.

Aksesuarlarla birlikte verilen talimatlara uyun. Uygun olmayan aksesuar kullanımı tehlike oluşturabilir.

- Matkap ucu
- Sabitleme braketleri
- Matkap tezgahı mungenerleri

⚠ UYARI

Kırılan parçalar ya da çalışma parçalarının fırlaması ile oluşabilecek yaralanmalardan kaçınmak için yalnızca bu ürün için tasarlanmış aksesuarlar kullanın.

Aksesuarla birlikte gelen talimatları ya da kullanım kılavuzunu tamamen okumadan hiçbir aksesuarı kullanmayın.

KUTU İÇERİĞİ

PAKETİN AÇILMASI VE İÇERİĞİN KONTROLÜ

⚠ UYARI

Eksik ya da hasar görmüş herhangi bir parça varsa eksik ya da zarar gören parça değiştirilip montaj tamamlanana dek ürünü prize takmayın.

Ürünün ve tüm parçalarının ambalajını dikkatlice açın ve aşağıdaki listeyle karşılaştırın.

Ürünü nemden korumak için işlenmiş yüzeylere koruyucu bir katman uygulanmıştır. Gaz yağı ya da WD-40 ile nemlendirilen yumuşak bir bez kullanarak bu katmanı silin.

⚠ UYARI

Yangın ya da toksik reaksiyondan kaçınmak için ürünü temizlerken hiçbir zaman gaz, petrol yağı, aseton, lake tineri ya da benzeri yüksek uçucu solventleri kullanmayın.

Pası önlemek için tezgah, sütun ve tabanın işlenmiş yüzeylerine bir kat pasta cila uygulayın. Tüm parçaları temiz kuru bir bezle iyice silin.

Kalem	Açıklama	Mikt.
1	Kafa tertibatı	1
2	Plaka	1
3	Taban	1
4	Raf	1

5	Sütun tertibatı	1
6	Raf halkası	1
7	Besleme kolları	3
8	Sonsuz dişli	1
9	Tezgah kilit kolu	1
10	Tezgah krank kolu	1
11	Altıgen civatalar	3
12	Mandren	1
13	Sıkma anahtarı	1
14	4 mm alyan anahtarı	1
15	3 mm alyan anahtarı	1

MONTAJ VE AYARLAMALAR

⚠ UYARI

Kendi emniyetiniz için tüm montaj aşamaları tamamlanana ve emniyet ile kullanım talimatlarını okuyup anlayana kadar asla fişi elektrik prizine takmayın.

⚠ UYARI

Ürün ağır bir elektrikli alettir ve montaj işlemi için iki ya da daha fazla kişinin yardımıyla kaldırılmalıdır.

SÜTUN TABANININ MONTAJI

Şekle bakınız 5.

1. Tabanı düz, sağlam bir yüzeye yerleştirin.
2. Sütun tertibatındaki vida delikleri ile tabandaki vida deliklerini hizalayın.
3. Her bir deliğe altıgen civata yerleştirin.
4. İngiliz anahtarıyla her altıgen civatayı sıkın.

TEZGAHTAN SÜTUNA TERTİBATININ KURULUMU

Şekle bakınız 6-10.

1. Tezgah braketini kilit kolunu tezgah braketinin arka tarafındaki dişli deliğe takın.
NOT: Kolu soldan sağa doğru, ilk önce tezgah braketinin dişli olmayan tarafına girecek şekilde takın.
2. Sonsuz dişliyi tezgah braketindeki tezgah krank kolunun içinden geçirin. Sonsuz dişlinin içerideki dişli ile kaynaştığından emin olun.
NOT: Sonsuz dişlinin yağlamasını silmeyin.
3. Rafi dişler dışarı ve uzun düz taraf yukarı bakacak şekilde tezgah braketindeki yuvanın içinden geçirin. Sonsuz dişli rafa bağlanmalıdır.
4. Her iki elinizi kullanarak sütunun alt kısmı taban bileziğinin içinde ve sütuna dayanacak şekilde olana dek tüm tezgahı ve rafı sütuna doğru kaydırın.

5. Tezgah tertibatını sütuna kilitlemek için tezgah braket kilit kolunu sıkın.

NOT: Fazla sıkmayın.

6. Açılı kenar ile rafın açılı ucu birleşene dek raf halkasını açılı kenarından aşağıya, sütunun üzerinden kaydırın.
7. Alyan anahtarını kullanarak bilezik içindeki ayar vidasını sıkın. Sütun ya da bileziğe zarar vermemek için ayar vidasını fazla sıkmayın.
NOT: Tezgahı iki yana da hareket ettirebilir olmalısınız.
8. Tezgah krank kolunu şaftın düz kısmı ayar vidası ile hizalanacak şekilde sonsuz dişlinin ucuna takın.
9. Alyan anahtarını kullanarak ayar vidasını sıkın.

KAFA KURULUMU

Şekle bakınız 11.

⚠ UYARI

Matkap Tezgahı kafası ağırdır ve sütuna emniyetli bir şekilde monte edilebilmesi için iki kişinin yardımıyla kaldırılmalıdır.

1. Kovan tezgahın üzerinde olacak şekilde kafayı sütuna yerleştirin.
NOT: Ürün ağırdır. İhtiyaç duyduğunuzda yardım isteyin.
2. Kafayı gittiği yere kadar aşağı kaydırın. Tezgah tertibatı ile tabanı hizalayın ve ardından alyan anahtarı ile iki kafa ayar vidasını sıkın.

BESLEME KOLLARININ KURULUMU

Şekle bakınız 12.

1. Üç besleme kolunu poyradaki dişli deliklere vidalayarak takın.

KOVANIN KURULUMU

Şekle bakınız 13-15.

⚠ UYARI

Kovanın matkap tezgahı kafasına monte edilmesinden önce birleşecek tüm yüzeyleri petrol bazlı olmayan bir ürün ile temizleyin. Bu parçaları paketlerken kullanılan her türlü yağ ve gresin temizlenmesi gereklidir aksi halde çalışma esnasında kovan gevşeyebilir.

1. Kovan içindeki konik deliği temiz bir bez ve alkol bazlı olmayan bir temizleyici ile temizleyin. Tüm yağ kalıntısı, her türden toz ve kiri tamamen silin.
2. Mil üzerindeki konik yüzeyleri de yukarıdaki gibi temizleyin.
NOT: Yüzeylere yapışmış yabancı madde olmadıysanız emin olun. Bu yüzeyler üzerindeki en küçük toz ya da yağ kalıntısı dahi kovanın düzgün oturmasına yol açacaktır. Bu da kovan ile matkap ucunun sallanmasına neden olacaktır.
3. Kovanı milin üzerine yerleştirin. Çenelerin hasar görmemesi için kovanın tamamen açık olması

- gereklidir.
- Tezghah destek kilidini açın ve tezgahı kovanın alt kısmından kaydırarak uzaklaştırın.
 - Kovanı milin üzerine yerleştirin ve tamamen yukarı itin.
 - Kovanı korumak için bir tahta parçası kullanarak tokmak ya da çekiç yardımıyla kovanı yerine vurarak yerleştirin.

⚠ DİKKAT

Parçalara zarar verme riski. Kovana zarar vermemek için asla kovanı mil üzerine metal çekiçle ilerletmeyin.

KOVANIN ÇIKARILMASI

- Kovanı en alçak konuma indirmek için besleme kollarını çevirin.
 - Kovanın üzerinde küresel mafsalsal ayırıcı (gösterilmez) yerleştirin ve küresel mafsalsal ayırıcıya çekiç ya da lastik tokmak ile hafifçe vurarak kovanın milden düşmesini sağlayın.
- NOT:** Kovana çekiç ya da lastik tokmak ile doğrudan asla vurmayın.

NOT: Kovana hasar vermemek için ilk önce çeneleri tamamen açın ve düştüğünde kovanı yakalamaya hazır olun.

MATKAP TEZGAHININ ÇALIŞMA YÜZEYİNE MONTE EDİLMESİ

Şekle bakınız 16.

Ürün kalıcı bir konumda kullanılacaksa bir çalışma tezgahı ya da sağlam başka bir yüzeye sabitleyin.

Ürün taşınabilir bir alet olarak kullanılacaksa çalışma tezgahı ya da sağlam başka bir yüzeye kolaylıkla mengine ile sıkıştırılacak bir montaj tabanına takın. Montaj tabanı ürünü kullanım esnasında yana yatmaya izin vermeyecek şekilde yeterli büyüklükte olmalıdır. 19 mm (3/4") kalınlıkta kaliteli bir kontrplak ya da sunta kullanmanız tavsiye edilir.

- Matkap tezgahı tabanındaki delikleri şablon olarak kullanarak matkap tezgahının monte edileceği yüzeyde delikleri işaretleyin.
 - Monte edilecek yüzeyde delik açın.
 - Matkap tezgahının monte edilecek yüzeydeki deliklerle tabandaki delikler hizalanacak şekilde yerleştirin.
 - Cıvataları (birlikte verilmez) takın ve kilit pulları ve altıgen somunları (birlikte verilmez) iyice sıkın. Trifon vida kullanıyorsanız matkap tezgahı tabanından matkap tezgahının monte edileceği malzemenin içine geçecek yeterli uzunlukta olduklarından emin olun. Makine cıvataları kullanıyorsanız matkap tezgahı tabanından matkap tezgahının monte edileceği malzemenin içine, oradan kilit pulları ile altıgen somunlarına kadar yeterli uzunlukta olduklarından emin olun.
- NOT:** Cıvataların hepsi üstten taktılmalıdır. Kilit pulları ile altıgen somunları çalışma tezgahının

altından takın.

Ürün sağlam bir yüzeye güvenli bir şekilde monte edildiğinde:

- Motor çalıştırıldığında titreşim olup olmadığını kontrol edin.
- Montaj donanımını gerektiği şekilde ayarlayıp tekrar sıkın.
- Tezghah tertibatının sütun üzerinde yukarı ve aşağı rahat hareket ettiğini kontrol edin.
- Mil şaftının rahat hareket ettiğini kontrol edin.

KOVAN ANAHTARI SAKLAMA YERİ

Şekle bakınız 17.

Kovan anahtarı tutucu ürünün sağ tarafındadır.

AÇILI DELME

Şekle bakınız 18.

NOT: Ürün üzerinde yaklaşık eğiklik açısını ölçmek için açılı göstergesi bulunmaktadır. Tezghahı konumlandırmak için kesinlik gerekiyorsa gönye ya da başka bir ölçüm aleti kullanılmalıdır. Açılı göstergesini kullanmak için:

- 10 mm anahtar ya da İngiliz anahtarı kullanarak pimi tezgah desteğinden serbest bırakmak için kilit pimi üzerindeki somunu saat yönünde sıkın. Tezghah, tezgah desteğindeki 0 derecesine geri yerleştirilirken bu pime ihtiyaç duyacaksınız. Atmayın.
- 17 mm ya da İngiliz anahtarı kullanarak geniş altıgen kafa tezgah eğikliği kilitleme civatasını gevşetin.
- İstenen açılı ölçüsünü ölçüğe karşısındaki sıfır çizgisi ile hizalanacak şekilde tezgahı eğin.
- Tezghah eğikliği kilitleme civatasını sıkın.
- Tezghahı ilk konumuna geri çevirmek için tezgah eğiklik kilitleme civatasını gevşetin. Tezghahı 0° konumuna geri getirin.
- Kilitleme pimi üzerindeki somunu dışların dış kenarına getirin. Lastik tokmak kullanarak kilitleme pimine tezgah braketini üzerindeki eşleştirme deliği üzerine oturana dek hafifçe vurun. Somunu elinizle sıkın.

NOT: Tezghah anlaşılır olması için görselden çıkarılmıştır.

⚠ UYARI

Kişisel yaralanmayı önlemek için herhangi bir ayarlama yaparken fişi prizden çıkarın.

MİL / MAKARA

Şekle bakınız 20.

Mili en alt konumuna indirmek için besleme kollarını saat yönünün tersine çevirin. Kovanı tutun ve öne arkaya hareket ettirin. Aşırı oynama varsa aşağıdaki ayarlamaları yapın:

- 10 mm anahtar kullanarak ürünün sağ tarafındaki kilit somununu gevşetin.
- Oynamayı gidermek için vidayı düz tornavida kullanarak, milin yukarı hareketini engellemeyecek şekilde saat yönünde çevirin. (Mil içerisinde biraz oynama olması normaldir.)

3. Kilit somununu sıkın.

MAKARA DÖNÜŞ YAYI

Şekle bakınız 21.

Makara dönüş hızı çok fazla ya da az ise makara dönüş yayının ayarlanması gerekebilir. Yay matkap kafasının sol tarafındadır.

1. Ek açıklık sağlaması için tezgahı alçaltın.
2. Yay başlığının alt ön dişine bir tornavida yerleştirin. 10 mm anahtar kullanarak yalnızca dış kontra somunu gevşetin ve çıkarırken yerinde tutun.
3. Tornavida hala diş üzerinde takılı iken dış matkap tezgahı kafası üzerindeki topuzdan neredeyse ayrılan kadar iç somunu gevşetin.
NOT: Bu iç somunu çıkarmayın aksi halde yay zorla gevşeyecektir.
4. Tornavidayı kullanarak yay başlığını saatin tersi yönünde dikkatlice çevirerek bir sonraki dişe geçin.
5. Yay başlığını yerinde tutarken besleme kolunu saatin tersi yönünde çevirerek makarayı en alçak konuma indirin.
6. Makara istediğiniz şekilde yukarı ya da aşağı hareket ediyorsa yay başlığına dayalı iç somunu ve yay başlığını anahtar ile sıkın. Çok gevşekse sıkamak için 3 ile 5. adımları tekrarlayın. Çok sıkıysa 4 ile 5 adımları geri alın.
7. Anahtar ile diş sonunu iç somuna karşı sıkın.

NOT: Çok fazla sıkarak makara hareketini kısıtlamayın.

KAYIŞ GERGİNLİĞİ

Şekle bakınız 22.

1. Kasnak kapağını açın.
2. Kayış gerginliği kilidini kaldırmak için matkap tezgahı kafasının sağ tarafındaki kayış gerginliği kilit düğmesini saat yönünün tersine çevirin.
3. Kayış gerginliğini azaltmak için motoru ürünün ön tarafına doğru çekin.
4. İstenen hız için kayışı doğru kasnak adımına yerleştirin.
5. Kayış düzgün şekilde gerilene dek motoru matkap tezgahı kafasından ileri itin.
NOT: Kayışın ortasına baskı yapıldığında kayış 13 mm (1/2") esniyorsa kayış gerginliği doğrudur.
6. Motoru yerine sabitlemek için kayış gerginliği kilit düğmesini sıkın. Kasnak kapağını kapatın.

LAZER HİZALAMASININ KONTROLÜ/AYARLANMASI

Üründe Laser Trac® mevcuttur.

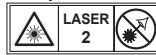
Çalışmaya başlamadan önce lazer ışınları sayesinde delinecek çalışma parçası üzerinde matkap ucunun izleyeceği yolu önceden görebilirsiniz.

⚠ UYARI

Gözlerin ışınla doğrudan temas etmesinden kaçının

Lazer kılavuzu açıldığında lazer ışını gönderilir. Doğrudan göz temasından kaçınınız Herhangi bir ayar yapmadan önce her zaman ürünün güç kaynağından ayırınız.

- Lazer işaretçi bir oyuncak değildir ve asla çocuklara verilmemelidir. Bu cihazın yanlış kullanımı düzeltilemez göz yaralanmalarına yol açabilir.
- Lazer gücünün artırılması için yapılacak her türlü düzenleme yasaktır.
- Lazer işaretçiyi kullanırken lazer ışının insanlar ve/veya yansıtıcı yüzeylere yöneltmeyin. Düşük yoğunluktaki bir lazer ışını dahi göze zarar verebilir. Doğrudan lazer ışınına bakmayın.
- Lazer işaretçinin servis yapılabilecek parçaları bulunmamaktadır. Tamirat ya da ayarlama yapmak için asla işaretçinin gövdesini açmayın.
- Lazer uyarı etiketi:



- Uyarı etiketlerini çıkarmayın ya da tahrip etmeyin. Etiketlerin çıkarılması radyasyona maruz kalma riskini artırır.
- DİKKAT: Burada belirtilen kontroller, ayarlar veya işlemlerin dışına çıkılması tehlikeli radyasyon yayılmasına neden olabilir.
- Lazerli nivo aygıtını tamir etmeye ya da parçalamaya çalışmayın. Kalifiye olmayan kişiler bu lazer ürününü tamir etmeye çalışırsa ciddi yaralanmalar gerçekleşebilir. Bu lazer ürününde yapılacak her türlü tamirat yetkili servis merkezi personelince gerçekleştirilmelidir.
- DİKKAT: Bu ürüne kullanılan optik aletler göze zarar artırabilir.

⚠ UYARI

Lazer ışınını güçlendirmek için renkli cam kullanmayın. Renkli camlar uygulamaya için genel görüşü azaltır ve aletin normal kullanımını etkiler.

⚠ UYARI

Lazer radyasyonu. Işını yansıtıcı yüzeye sahip çalışma parçasına asla yöneltmeyin. Parlak yansıtıcı çelik sac ya da benzer yansıtıcı yüzeylerde lazer kullanımı önerilmez. Yansıtıcı yüzey ışını operatöre ya da başka kişilere yansıtabilir.

LAZER ÇİZGİLERİNİN AYARLANMASI

Şekle bakınız 23.

Lazer çizgilerinin birleştiği noktanın matkap ucu ile çalışma parçasının bulunduğu nokta olduğundan emin olarak lazer hizalamayı kontrol edin. Aksi durumda kafa tertibatının karşı taraflarındaki lazer ayarlama düğmeleri kullanılarak lazer çizgilerinin ayarlanması gerekir.

1. Bir parça tahta üzerine "X" işareti koyun.
2. *Kovana küçük bir matkap ucu takın ve ucunu işaretlediğiniz "X" çizgilerinin birleştiği yere göre hizalayın.*
3. Tahtayı tezgaha sabitleyin.
4. Lazer kılavuzu açın ve lazer çizgileri ile çalışma parçası üzerindeki "X" ile hizalandığını onaylayın.
5. Lazer çizgileri hizalanmazsa alyan anahtarları ile lazer gövdelerinin üzerindeki ayar vidalarını gevşetin ve lazer çizgileri "X" ortasında buluşana dek lazer ayarlama düğmelerini döndürün. Sabitlemek için ayar vidalarını tekrar sıkın.

ÇALIŞTIRMA

⚠ UYARI

Sizi dikkatsiz yapacak aletle ilgili alışkanlıklarınıza izin vermeyin. Ciddi şekilde yaralanmanız için bir saniyelik dikkatsizliğin bile yeterli olduğunu asla unutmayın.

⚠ UYARI

Aletleri çalıştırırken mutlaka yanları kapalı tam boy koruyucu gözlük takın. Bu uyarının dikkate alınmaması gözlerinizin içine yabancı cisimlerin kaçmasına ve ciddi göz yaralanmalarına yol açabilir.

⚠ UYARI

Üreticinin bu alet için tavsiye ettikleri dışında parça veya aksesuarlar kullanmayın. Tavsiye edilmeyen parça ya da aksesuarların kullanılması ciddi kişisel yaralanmalara neden olabilir.

⚠ UYARI

Olası yaralanmalardan kaçınmak için alet çalışırken muhafazayı kapalı ve yerinde tutun.

HIZLAR İLE KAYIŞ YERLEŞİMİNİN DEĞİŞTİRİLMESİ

Şekle bakınız 24.

Mil hızını kafa tertibatı içerisinde yer alan kasnaklar üzerinde kayışın konumu belirler. Kafa tertibatının içindeki kapak üzerinde yer alan hız tablosu her bir delme işlemi için hız ve kasnak konfigürasyonunu gösterir.

Kasnak konfigürasyonunu değiştirmek için:

1. Kasnak kapağını kaldırın
2. Gerginlik civatasını gevşetin.
3. Kayışı çıkarın.

4. Hız tablosuna göre kayışı tekrar konumlandırın.
5. Gerginlik civatasını geri sıkın.

NOT: Matkap ucu boyutu ile matkap hızı tavsiyeleri için "Tavsiye Edilen Matkap Hızı" bölümüne bakın.

TAVSIYE EDİLEN MATKAP HIZI

Matkap ucu çapı (İnç)	MATKAP HIZ TABLOSU (RPM)		
	Ahşap Plastik	Alüminyum Çinko Pirinç	Demir Çelik
1/16	2430	2430	2430
1/8			1800
3/16			1300
1/4	1800	1800	800
5/16			1300
3/8	1800	800	510
1/2			1800

Açma/kapama anahtarı

Şekle bakınız 25.

Aleti açmak için:

1. AÇIK (I) düğmesine basın.

Aleti kapatmak için:

1. KAPALI (O) düğmesine basın.

⚠ UYARI

Ürünü çalıştırmaya başlamak için düğmeye basmadan önce her zaman matkap ucu ile çalışma parçasının temas etmediğinden emin olun. Bu uyarıyı önemsememek iş parçasının operatöre doğru fırlatılmasına ve ciddi kişisel yaralanmalara neden olabilir.

MATKAP UÇLARININ TAKILMASI VE ÇIKARILMASI

Şekle bakınız 26.

1. Ürünü prizden çıkarın.
2. Kullanmayı planladığınız ucun genişliğinden biraz geniş olacak şekilde mandren çenelerini açın ya da kapayın.
3. Matkap ucunu kovanın içine çenelerin uzunluğunda yerleştirin.

⚠ UYARI

Şekil 19'da gösterildiği gibi matkap ucunu kovan çenelerine takıp sıkmayın. Bu durumda matkap ucu üründen fırlayabilir ve ciddi kişisel yaralanmaya ya da kovanın hasar görmesine yol açılabilir.

4. Verilen kovan anahtarları ile kovan çenelerini sıkın. Mandren ağını sıkamak veya gevşetmek için anahtar

- kullanmayın.
- Kovan anahtarını çıkarın.
 - Matkap ucunu çıkarmak için yukarıdaki adımları tersinden uygulayın.

⚠ UYARI

Güç açıldığında kovan anahtarının hızla fırlamasıyla oluşabilecek yaralanma ya da kazadan kaçınmak için yalnızca bu matkap tezgahı ile verilen kendi kendine çıkan kovan anahtarını kullanın. Gücü "AÇIK" konumuna almadan önce her zaman kovan anahtarını tekrar kontrol edin ve çıkarın. Kullanılmadığında kovan anahtarını tutucusuna yerleştirin.

EMNİYETİNİZ İÇİN

⚠ UYARI

Elektrikli alete çekilmekten kaçınmak için bol kıyafet, eldiven, kravat ya da takı kullanmayın. Saçlar uzunsa her zaman arkada bağlı kalmalıdır.

- Ürününüzün herhangi bir parçası eksik, düzgün çalışmıyor, hasarlı ya da kırık ise söz konusu parça tamir edilene ya da değiştirilene kadar çalışmayı derhal durdurun.
- Asla parmaklarınızı matkap ucu ya da diğer kesme araçlarına temas edebilecek bir konuma yerleştirmeyin. Çalışma parçası ya da eliniz beklenmeden kayabilir.
- Çalışma parçasının elinizden kaçması, alet tarafından döndürülmesi ya da kırılmasına karşı çalışma parçasını her zaman aşağıdaki şekilde destekleyin:

- Her zaman (çalışma parçasının altına koyulan) destek malzemesini sütunun sol tarafına temas edecek şekilde konumlandırın.
- Mümkünse çalışma parçasını da sütunun sol tarafına temas edecek şekilde konumlandırın. Parça çok kısa ya da tezgah eğik durumda ise tezgah yuvalarını kullanarak tezgaha mengine ile tutturun.
- Matkap tezgahı mengine (dahil değildir) daima tezgaha sabitleyin.
- Cilalama ya da zımparalama işlemleri dışında hiçbir zaman serbest çalışmayın (yani çalışma parçasını tezgaha sabitlemek yerine elinizle tutmayın).
- Matkap tezgahını çalıştırmadan önce kafa ve desteği sütuna, tezgah kolunu desteğe ve tezgahı da tezgah koluna sıkı bir şekilde sabitleyin.
- Alet çalışırken asla kafa ya da tezgahı hareket ettirmeyin.
- Çalışmaya başlamadan önce matkap ya da diğer kesme aletinin sallanmadığı veya titreşime neden olmadığından emin olmak için motor düğmesini hafifçe çalıştırın.
- Çalışma parçası tutulmadığında düşecek ya da eğilecek şekilde tezgahın sarkıyorsa tezgaha mengine ile tutturun ya da ek destek sağlayın.
- Olağan dışı işlemlerde çalışma parçasını yeterince tutması, kılavuzluk etmesi ve sabitlemesi için sabitleyiciler kullanın.
- İşlem ve çalışma parçası malzemesi için tavsiye edilen mil hızını kullanın. Matkap hızı bilgisi için kasnak kapağı içindeki paneli kontrol edin ya da "Tavsiye Edilen Matkap Hızı" bölümüne bakın. Aksesuarlar için her aksesuarla birlikte verilen talimatlara bakın.
- Matkap tezgahına asla tırmanmayın aksi halde tezgah kırılabilir ve üzerinize devrilebilir.
- Ürünün yanından ayrılırken güç düğmesini "KAPALI" konuma alın.

BELİRLİ BİR DERİNLİĞE DELİK AÇILMASI

Belirli bir derinliğe kadar (çalışma parçasını tamamen delmeden) kör bir delik açmak iki şekilde yapılabilir:

Çalışma parçası yöntemi

Şekle bakınız 27.

- Delğin derinliğini çalışma parçasının kenarında işaretleyin.
- Anahtar "KAPALI" konumdayken matkap ucunu işaretle aynı hizaya olana dek aşağı indirin.
- Besleme kolunu bu konumda tutun.
- Alt somunu kafa üzerindeki derinlik tespit mandalı ile temas edene dek çevirerek indirin.
- Üst somunu aşağı çevirin ve alt somuna dayayarak sıkın.
- Matkap ucu çalışma parçası üzerinde işaretli mesafeyi kat ettikten sonra duracaktır.

Derinlik ölçeği yöntemi

Şekle bakınız 28.

NOT: Kovan üst konumdayken matkap ucu çalışma parçasının hemen üstünde olmalıdır.

- Anahtar "KAPALI" konumdayken gösterge derinlik ölçeğinde istenen derinliği gösterene kadar besleme kolunu çevirin ve besleme kolunu bu konumda tutun.
- Alt somunu derinlik tespit mandalı ile temas edene dek çevirerek indirin.
- Üst somunu alt durdurma somununa kadar çevirin ve sıkın.
- Matkap ucu derinlik ölçeğinde seçili mesafeyi kat ettikten sonra duracaktır.

Delik delinmesi

- Nokta zimba ya da keskin bir çivi kullanarak delik açmak istediğiniz çalışma parçasında bir diş açın.
- Lazer kılavuzu açın ve lazer çizgileri ile dişi hizalayın.
- Güç düğmesini açın ve besleme kollarından tutarak deliği açacak şekilde baskı uygulayacak şekilde aşağı bastırın.

Besleme işlemi hızlı yapıldığında kayış ya da matkap kayabilir, çalışma parçası parçalanabilir ya da matkap ucu kırılabilir.

Metal üzerinde delik açıldığında aşırı ısınmayı önlemek için matkap ucu metal delme yağı ile yağlanmalıdır.

6. Fırlayan çalışma ya da alet ile temastan kaçınmak için kesme aleti dönerken tezgah üzerinde asla yerleştirme, montaj ya da ayar işlemi yapmayın.

TEZGAH VE ÇALIŞMA PARÇASININ YERLEŞTİRİLMESİ

Şekle bakınız 29-30.

1. Matkap ucu çalışma parçasının hemen üzerinde olacak şekilde tezgahı sütuna kilitleyin.
2. Her zaman çalışma parçasının altına, tezgahın üstüne bir destek malzemesi (tahta parçası) yerleştirin. Böylelikle çalışma parçasının parçalanmasını ve altında ağır çapak oluşumunu engellemiş olursunuz. Destek malzemesinin dönmelerini engellemek için süütünun sol tarafına yerleştirilmesi gereklidir.
3. İşlenecek parça asılıysa, uygun destek yöntemleri kullanın.

⚠ UYARI

Delme esnasında çalışma parçası ya da destek malzemesinin fırlamasını önlemek için çalışma parçasını süütünun sol kısmına YERLEŞTİRMELİSİNİZ. Çalışma parçası ya da destek malzemesi sütuna yetişecek kadar uzun değilse parçayı tutması için tezgaha mengene ile sabitleyin. Çalışma parçası sabitlenmediğinde kişisel yaralanma gerçekleşebilir.

⚠ UYARI

Çalışma parçasının dönmeleri sonucu yaralanmaları veya mengene ya da matkap ucu parçalarının zarar görmelerini önlemek için matkap tezgahı mengenesinin tezgaha tutturulması ya da civatlanması gereklidir.

DELME NOKTASININ BELİRLENMESİ

1. Nokta zımba ya da keskin bir çivi kullanarak deleceğiniz çalışma parçasında bir diş açın.
2. Matkabı AÇIK konumuna almadan önce lazer kılavuzu açın ve lazer çizgileri (x) ile dişi hizalayın.

TEZGAHIN EĞİLMESİ

Şekle bakınız 31.

NOT: Tezgah desteğinde tezgahı önceden delinmiş 0° eğiklik açısına kilitlemek için kilit pimli önceden açılmış bir delik bulunmaktadır.

1. 10 mm anahtar ya da ingiliz anahtarı kullanarak pimi tezgah desteğinden serbest bırakmak için kilit pimi üzerindeki somunu saat yönünde sıkın. Tezgah, tezgah desteğindeki 0 derecesine geri yerleştirilirken bu pime ihtiyaç duyacaksınız.
2. 17 mm ya da ingiliz anahtarı kullanarak geniş altıgen kafa tezgah eğikliği kilitleme civatasını gevşetin.

⚠ UYARI

Yaralanmadan kaçınmak için tezgah ile tezgah kolu teribatını dönmemesi ya da yatmaması için tuttuğunuzdan emin olun.

3. İstenen açı ölçüsünü ölççeğin karşısındaki sıfır çizgisi ile hizalanacak şekilde tezgahı eğin.
4. Tezgah eğikliği kilitleme civatasını sıkın
5. Tezgahı ilk konumuna geri çevirmek için tezgah eğiklik kilitleme civatasını gevşetin. Tezgahı 0° konumuna geri getirin.
6. Kilitleme pimi üzerindeki somunu dişlerin dış kenarına getirin. Kilitleme pimine tezgah braketini üzerindeki eşleştirme deliği üzerine oturana dek hafifçe vurun. Somunu elinizle sıkın.

⚠ UYARI

Çalışma parçasının dönmeleri sonucu yaralanmadan ya da aletin kırılmasından kaçınmak için matkap tezgahını çalıştırmadan önce her zaman çalışma parçası ile destek malzemesini tezgaha sağlam bir şekilde mengene ile tutturun.

BESLEME

1. Besleme kollarından tutarak deliği açacak şekilde baskı uygulayacak şekilde aşağı bastırın.
2. Besleme işlemi yavaş yapıldığında matkap ucu yanabilir. Besleme işlemi hızlı yapıldığında kayış ya da matkap kayabilir, çalışma parçası parçalanabilir ya da matkap ucu kırılabilir.
3. Metal üzerinde delik açıldığında çalışma parçası ile matkap ucunun yanmaması için matkap ucunun yağlanması gereklidir.

BAKIM

⚠ UYARI

Matkap tezgahında bakım ya da yağlama işlemi yapmadan önce kendi emniyetiniz için düğmeyi KAPALI konumuna alın ve fişi prizden çekin.

Motor ile kasnak gövdesi içinde ve tezgah ve çalışma yüzeyi üzerinde biriken talaş ya da metal parçacıklarının sıklıkla hava kompresörü ya da toz süpürgesi kullanarak temizleyin. Aleti kullanırken her zaman güvenlik gözlükleri takın.

⚠ UYARI

Elektrik çarpması ya da yangın tehlikesinden kaçınmak için eskimiş ya da kesilmiş elektrik kablusunun derhal kalifiye bir elektrikçi ya da servis teknisyeni tarafından değiştirilmesini sağlayın.

YAĞLAMA

Matkap tezgahı rulmanlarının hepsi fabrikada greslenerek paketlenmiştir. Ek yağlama gerektirmez.

Dönemsel olarak dişli ve rafı, mil tezgah yükseltme mekanizmasını ve makaranın rafını (dişlerini) yağlayın. Her üç ayda bir mili aşağı indirin ve mil manşonunu hafifçe yağlayın.

TAŞIMA VE SAKLAMA

Şekle bakınız 32.

Ürünü taşıırken güç kabloğunu prizden çıkarın ve bütün parçaların güvenli bir şekilde tespit edildiklerinden emin olun. Ürünü kaldırırken kullanılacak kavrama alanları için bkz. Şekil 32.

Ürünü çocukların erişemeyeceği güvenli bir yerde saklayın.

Depolamadan önce ürünü bir fırça ve elektrikli süpürge kullanılarak temizleyin.

SEMBOL

Güvenlik ikazı



Avrupa Uyumluluk İşareti



Britanya Uyumluluk İşareti



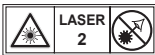
Ukrayna Uyumluluk İşareti



EurAsian Uyumluluk işareti



Ürünü çalıştırmadan önce, lütfen aşağıdaki talimatları dikkatlice okuyun.



Lazer radyasyonu.
Lazer ışınına doğrudan bakmayın.
Sınıf 2 lazer ürünü



Yağmura maruz bırakmayın veya nemli yerlerde kullanmayın.



Koruyucu kulaklık kullanın



Her zaman koruyucu gözlük kullanın.



Kovan kapasitesi



Mil hareketi



Delik açma hizalaması



Matkap ucu çapı (İnç)



Ahşap



Alüminyum
Çinko
Pirinç



Demir
Çelik



Atık elektrikli ve elektronik ekipmanı, sınıflandırılmamış belediye atığı olarak bertaraf etmeyin. Atık elektrikli ve elektronik ekipmanlar ayrıca toplanmalıdır. Atık ışık kaynakları ekipmandan çıkarılmalıdır. Yerel otorite veya satıcıdan geri dönüşüm tavsiyesi alın ve toplama noktasını öğrenin. Yerel düzenlemelere göre perakendecilerin atık elektrikli ve elektronik ekipmanı ücretsiz olarak geri alma yükümlülüğü olabilir. Atık elektrikli ve elektronik ekipmanların yeniden kullanımı ve geri dönüşümüne katkınız, hammadde talebini azaltmaya yardımcı olur. Atık elektrikli ve elektronik ekipmanlar, çevreye uyumlu bir şekilde bertaraf edilmediği takdirde çevre ve insan sağlığını olumsuz yönde etkileyebilecek değerli, geri dönüştürülebilir malzemeler içerir. Varsa, atık ekipmandaki kişisel verileri silin.

SORUN GİDERME

Sorun	Olası nedeni	Çözümü
Gürültülü çalışma.	<ol style="list-style-type: none">1. Yanlış kayış gerginliği.2. Mil kuru.3. Mil kasnağı gevşek.4. Motor kasnağı gevşek.	<ol style="list-style-type: none">1. Gerginliği ayarlayın. "Kayış gerginliği" bölümüne bakın.2. Mili yağlayın. "Yağlama" bölümüne bakın.3. Kasnak üzerindeki tespit somununun sıkılığını kontrol edin ve gerekirse sıkın.4. Motor kasnağındaki ayar vidasını sıkın.
Matkap ucu yanıyor.	<ol style="list-style-type: none">1. Yanlış hız.2. Delikten parça çıkmıyor.3. Matkap ucu kör.4. Besleme çok yavaş.5. Yağlanmamış.	<ol style="list-style-type: none">1. Hızı değiştirin. "Hızlar ile kayış yerleşiminin değiştirilmesi" bölümüne bakın.2. Parçaları temizlemek için matkabı daha sık sokup çıkarın.3. Matkap ucunu keskinleştirin ya da yeni uç takın.4. Besleme hızını yeterince artırın - matkabın delmesini sağlayın.5. Matkabı yağlayın. "Besleme" bölümüne bakın.
Matkap ucu noktasını şaşırdı delinen delik yuvarlak değil.	<ol style="list-style-type: none">1. Tahta içerisinde ya da kesme rotaları boyunca büyük parçalar var ve/veya açılar eşit değil.2. Matkap ucu eğilmiş.	<ol style="list-style-type: none">1. Matkap ucunu doğru şekilde keskinleştirin.2. Matkap ucunu değiştirin.
Alt tarafta tahta parçalanıyor.	<ol style="list-style-type: none">1. Çalışma parçası altında destek malzemesi yok.	<ol style="list-style-type: none">1. Destek malzemesi kullanın. "Çalıştırma" bölümüne bakın.
Çalışma parçası elden kaçıyor.	<ol style="list-style-type: none">1. Çalışma parçası doğru şekilde desteklenmiyor ya da mengene ile tutturulmamış.	<ol style="list-style-type: none">1. Çalışma parçasını destekleyin ya da mengene ile tutturun. "Çalıştırma" bölümüne bakın.
Matkap ucu parçaya sıkışıyor.	<ol style="list-style-type: none">1. Çalışma parçası matkap ucunu sıkıştırıyor ya da fazla besleme basıncı var.2. Kayış gerginliği doğru değil.	<ol style="list-style-type: none">1. Çalışma parçasını destekleyin ya da mengene ile tutturun. "Çalıştırma" bölümüne bakın.2. Gerginliği ayarlayın. "Kayış gerginliği" bölümüne bakın.
Matkap ucu fazla aşınıyor ya da sallanıyor.	<ol style="list-style-type: none">1. Matkap ucu eğilmiş.2. Yataklar aşınmış.3. Matkap ucu kovan içine düzgün yerleştirilmemiş.4. Kovanın montajı doğru yapılmamış.	<ol style="list-style-type: none">1. Düz bir matkap ucu kullanın.2. Yatakları değiştirin.3. Matkabı doğru şekilde monte edin. "Çalıştırma" ve "Montaj ve ayarlamalar" bölümüne bakın.4. Kovanı doğru şekilde monte edin. "Kovanın kurulumu" bölümüne bakın.
Makara çok hızlı ya da yavaş dönüyor.	<ol style="list-style-type: none">1. Bobin yayı gerginliği doğru değil.	<ol style="list-style-type: none">1. Yay gerginliği ayarlayın. "Makara dönüş yayı" bölümüne bakın.
Kovan mile takılı kalmıyor. Kurulum esnasında düşüyor.	<ol style="list-style-type: none">1. Kovanın ya da milin konik iç yüzeyinde toz, gres ya da yağ var.	<ol style="list-style-type: none">1. Alkol bazlı olmayan bir temizleyici kullanarak kovanın konik yüzeyini ve mili tüm kir, gres ve yağdan arındırın. "Kovanın kurulumu" bölümüne bakın.



ΠΕΡΙΓΡΑΦΗ

1. Διάταξη κεφαλής
2. Πάγκος
3. Πέλημα
4. Ρυθμιστής ύψους
5. κολόνα
6. Δακτύλιος ρυθμιστή ύψους
7. Λαβές τροφοδοσίας
8. Μειωτήρας ατέρμωνα
9. Λαβή ασφάλισης τραπέζιού
10. Μανιβέλα τραπέζιού
11. Εξαγωνικές βίδες
12. Τσοκ
13. Κλειδί τσοκ
14. Εξάγωνη βίδα 4 χιλ.
15. Εξάγωνη βίδα 3 χιλ.
16. Ίσιο κατσαβίδι
17. Ρυθμιζόμενο κλειδί
18. Κλειδί 12 χιλ.
19. Σφυρί ξύλου ή καουτσούκ
20. Γωνία
21. Κομμάτι ξύλου
22. Κινητήρας
23. Κεφαλή λείζερ
24. Ελατήριο επαναφοράς καλύμματος άξονα / ελατήριο
25. Βραχίονας τραπέζιού
26. Κάλυμμα τροχαλίας
27. Διακόπτης ενεργοποίησης/απενεργοποίησης (on/off)
28. Διακόπτης λείζερ
29. Άνω προφυλακτήρας
30. Τρύπα τοποθέτησης
31. Βίδα ασφάλισης μοτέρ
32. Κουμπί ασφάλισης τεντώματος ιμάντα
33. Βάση κλειδιού τσοκ
34. Κυλινδρικός άξονας
35. Τροχαλία μοτέρ
36. Στήριγμα τραπέζιού
37. Οπή μανιβέλας τραπέζιού
38. Στήριγμα κολόνας
39. Βίδα ρύθμισης
40. Κεφαλή
41. Βίδα ασφάλισης κεφαλής
42. Κοχλιοτομημένες οπές
43. Κεφαλή στροφεύου
44. Ατρακτος
45. Μπουλόνι x 2 (M12, δεν συμπεριλαμβάνεται)
46. Ροδέλα ασφάλισης x 4 (Dia. 12mm, δεν συμπεριλαμβάνεται)
47. Λαστιχένια ροδέλα x 2 (Dia. 12mm, δεν συμπεριλαμβάνεται)
48. Δισκοειδής δακτύλιος x 2 (Dia. 12mm, δεν συμπεριλαμβάνεται)
49. Κόντρα παξιμάδι x 2 (M12, δεν συμπεριλαμβάνεται)
50. Εξάγωνο παξιμάδι x 2 (M12, δεν συμπεριλαμβάνεται)
51. Επιφάνεια εργασίας
52. Κλίμακα κλίσης
53. Μπουλόνι ασφάλισης λοξοτομής τραπέζιού
54. Παξιμάδι
55. Παξιμάδι
56. Βιδ
57. Κάτω πρόσθια εγκοπή
58. Καπάκι ελατηρίου
59. Εξωτερικό κόντρα παξιμάδι
60. Εσωτερικό παξιμάδι
61. Εγκοπή
62. Δόντι
63. Σαγόνια τσοκ
64. Τρυπάνι
65. Βάθος
66. Δείκτης κλίμακας βάθους
67. Κλίμακα βάθους
68. Επάνω παξιμάδι
69. Κάτω παξιμάδι
70. Παξιμάδι ρύθμισης βάθους
71. Προς επεξεργασία αντικείμενο





Κατά το σχεδιασμό της κολωνάτου δράπανου δόθηκε ιδιαίτερη προτεραιότητα στην ασφάλεια, την απόδοση και την αξιοπιστία της.

ΠΡΟΟΡΙΖΟΜΕΝΗ ΧΡΗΣΗ

Το κολωνάτο δράπανο έχει σχεδιαστεί για διατήρηση ξύλου, πλαστικών, αλουμινίου και χάλυβα.

Το εργαλείο προορίζεται για χρήση μόνο από ενήλικες χειριστές που έχουν διαβάσει το εγχειρίδιο χρήσης και έχουν κατανοήσει τους κινδύνους.

Το κολωνάτο δράπανο έχει σχεδιαστεί για στερέωση σε βάση που βρίσκεται σε σταθερό πάγκο εργασίας. Εάν η βάση δεν είναι καλά στερεωμένη, το μηχάνημα κινδυνεύει να ανατραπεί, να γλιστρήσει ή να κυλήσει στην επιφάνεια υποστηρίξις κατά τη διάρκεια της εργασίας, αυξάνοντας τον κίνδυνο προσωπικού τραυματισμού..

Το κολωνάτο δράπανο προορίζεται για χρήση σε στεγνό περιβάλλον, με άριστο φωτισμό χώρου και επαρκή εξαερισμό.

Το προϊόν διατίθεται για καταναλωτική χρήση και πρέπει να χρησιμοποιείται μόνο σύμφωνα με την παραπάνω περιγραφή και για κανέναν άλλο σκοπό.

ΓΕΝΙΚΕΣ ΣΥΣΤΑΣΕΙΣ ΑΣΦΑΛΕΙΑΣ ΧΡΗΣΗΣ ΗΛΕΚΤΡΟΚΙΝΗΤΩΝ ΕΡΓΑΛΕΙΩΝ

⚠ ΠΡΟΕΙΔΟΠΟΙΗΣΗ

Διαβάστε προσεκτικά όλες τις προειδοποιήσεις, οδηγίες και προδιαγραφές που παρέχονται με το εργαλείο και ανατρέξτε στις εικόνες. Η μη τήρηση των ακόλουθων οδηγιών μπορεί να επιφέρει ατυχήματα όπως πυρκαγιές, ηλεκτροπληξίες ή και σοβαρό σωματικό τραυματισμό.

Φυλάσσετε όλες τις προειδοποιήσεις και οδηγίες για μελλοντική χρήση. Ο όρος "μηχάνημα" στις προειδοποιήσεις αναφέρεται αναφέρεται στο χειροκίνητο (ενσύρματο) μηχάνημα ή σε μηχάνημα (ασύρματο) που λειτουργεί με μπαταρία.

ΑΣΦΑΛΕΙΑ ΣΤΟΝ ΧΩΡΟ ΕΡΓΑΣΙΑΣ

- Διατηρείτε τον χώρο εργασίας καθαρό και καλά φωτισμένο. Χώροι με υπερβολικά αντικείμενα ή μη φωτισμένοι προκαλούν ατυχήματα.
- Μην χρησιμοποιείτε ηλεκτροκίνητα προϊόντα σε εκρηκτικές ατμόσφαιρες, όπως στην παρουσία εύφλεκτων υγρών, αερίων ή σκόνης. Τα ηλεκτροκίνητα εργαλεία δημιουργούν σπινθήρες που μπορεί να προκαλέσουν ανάφλεξη στη σκόνη ή τις αναθυμιάσεις.
- Διατηρείτε τα παιδιά και τους παριστάμενους μακριά όσο χρησιμοποιείτε μηχανοκίνητα εργαλεία. Οι αποσπώσιμες μπορούν να προκαλέσουν απώλεια ελέγχου.

ΗΛΕΚΤΡΙΚΗ ΑΣΦΑΛΕΙΑ

- Τα βύσματα των μηχανοκίνητων εργαλείων πρέπει να ταιριάζουν με την πρίζα. Μην τροποποιείτε ποτέ το βύσμα με οποιονδήποτε τρόπο. Μην χρησιμοποιείτε βύσματα προσαρμογής με γειωμένα μηχανοκίνητα εργαλεία. Μη τροποποιημένα βύσματα και αντίστοιχες πρίζες μειώνουν τον κίνδυνο ηλεκτροπληξίας.
- Αποφύγετε την επαφή με γειωμένες επιφάνειες όπως σωλήνες, καλοριφέρ, εστίες και ψυγεία. Αν το σώμα σας γειωθεί, υπάρχει αυξημένος κίνδυνος ηλεκτροπληξίας.
- Μην εκθέτετε τα ηλεκτροκίνητα εργαλεία σε βροχή ή συνθήκες υγρασίας. Η εισόδος νερού σε ηλεκτροκίνητα εργαλεία αυξάνει τον κίνδυνο ηλεκτροπληξίας.
- Προσέχετε στη χρήση του καλωδίου. Μην χρησιμοποιείτε ποτέ το καλώδιο για να μεταφέρετε, τραβάτε ή αποσυνδέετε το μηχανοκίνητο εργαλείο. Διατηρείτε το καλώδιο μακριά από θερμότητα, λάδι, αιχμηρές γωνίες ή κινούμενα εξαρτήματα. Φθαρμένα ή μπερδεμένα καλώδια αυξάνουν τον κίνδυνο ηλεκτροπληξίας.
- Όταν χρησιμοποιείτε μηχανοκίνητα εργαλεία σε εξωτερικούς χώρους, χρησιμοποιείτε και καλώδιο πρόεκτασης κατάλληλο για εξωτερική χρήση. Η χρήση κατάλληλου καλωδίου για εξωτερικούς χώρους μειώνει τον κίνδυνο ηλεκτροπληξίας.
- Όταν χρησιμοποιείτε μηχανοκίνητα εργαλεία σε νωπή τοποθεσία, χρησιμοποιείτε διάταξη προστασίας ρεύματος διαρροής (RCD). Η χρήση RCD μειώνει τον κίνδυνο ηλεκτροπληξίας.

ΠΡΟΣΩΠΙΚΗ ΑΣΦΑΛΕΙΑ

- Παραμείνετε σε εγρήγορση, προσέχετε τι κάνετε και χρησιμοποιείτε την κοινή λογική κατά τη χρήση του εργαλείου. Μην χρησιμοποιείτε το προϊόν αν είστε κουρασμένοι ή υπό την επήρεια ναρκωτικών, αλκοόλ ή φαρμάκων. Μια στιγμή απροσεξίας κατά τον χειρισμό ηλεκτροκίνητων εργαλείων, αρκεί για να προκληθεί σοβαρός τραυματισμός.
- Να φοράτε μέσα ατομικής προστασίας. Φοράτε πάντα προστατευτικά ματιών. Ο προστατευτικός εξοπλισμός, όπως προσωπίδα κατά της σκόνης, ανιολισθητικά παπούτσια, σκληρό καπέλο και προστατευτικά αυτιών, συμβάλουν στην πρόληψη τραυματισμών, εφόσον χρησιμοποιούνται σωστά.
- Αποφύγετε τις τυχαίες εκκινήσεις. Βεβαιωθείτε ότι ο διακόπτης βρίσκεται στην απενεργοποιημένη θέση πριν συνδεθείτε με την παροχή ρεύματος ή/και την μπαταρία, όταν σκηνάτε ή μεταφέρετε το προϊόν. Η μεταφορά προϊόντων με μπαταρία με το δάχτυλό σας στο διακόπτη ή ενεργοποίηση προϊόντων μπαταρίας με ενεργοποιημένο τον διακόπτη μπορεί να προκαλέσει ατύχημα.





- **Αφαιρέστε τυχόν κλειδιά πριν ενεργοποιήσετε το μηχανοκίνητο εργαλείο.** Ένα κλειδί αφημένο σε περιστρεφόμενο μέρος του μηχανοκίνητου εργαλείου μπορεί να προκαλέσει τραυματισμούς.
- **Μην τεντώνετε. Διατηρείτε σταθερό πάτημα και ισορροπία συνεχώς.** Έτσι θα έχετε καλύτερο έλεγχο του μηχανοκίνητου εργαλείου σε περίπτωση απρόσμενων συνθηκών.
- **Ντυθείτε κατάλληλα. Μην φοράτε χαλαρά ρούχα ή κοσμήματα. Κρατήστε τα μαλλιά και τα χέρια σας μακριά από κινούμενα μέρη.** Τα χαλαρά ρούχα, κοσμήματα ή μακριά μαλλιά μπορούν να πιαστούν στα κινούμενα εξαρτήματα.
- **Εάν παρέχονται συσκευές για τη διασύνδεση εξαρτημάτων εξαγωγής και συλλογής σκόνης, βεβαιωθείτε ότι είναι συνδεδεμένες και ότι χρησιμοποιούνται σωστά.** Η χρήση εξαρτημάτων συλλογής σκόνης μπορεί να αποτρέψει τυχόν επικίνδυνες καταστάσεις που σχετίζονται με τη σκόνη.
- **Μην παραλείπετε την εφαρμογή των κανόνων ασφάλειας της συσκευής όσο κι έχετε εξοικειωθεί με την χρήση της.** Οποιαδήποτε απροσεξία μπορεί να προκαλέσει σοβαρό τραυματισμό εντός δευτερολέπτων.

ΧΡΗΣΗ ΚΑΙ ΦΡΟΝΤΙΔΑ ΕΡΓΑΛΕΙΟΥ

- **Μην πιέζετε υπερβολικά το εργαλείο.** Χρησιμοποιείτε το σωστό προϊόν για την εφαρμογή σας. Το σωστό προϊόν ολοκληρώνει την εργασία σας καλύτερα και με περισσότερη ασφάλεια, με την ταχύτητα για την οποία έχει σχεδιαστεί.
- **Μην χρησιμοποιείτε το μηχανοκίνητο εργαλείο αν ο διακόπτης δεν το ενεργοποιεί και απενεργοποιεί.** Μηχανοκίνητα εργαλεία που δεν ελέγχονται με τον διακόπτη τους, είναι επικίνδυνα και θα πρέπει να επισκευάζονται.
- **Πριν από τη διεξαγωγή οποιωνδήποτε ρυθμίσεων ή την αντικατάσταση εξαρτημάτων, αποσυνδέετε το φις από την παροχή ρεύματος και/ή τις μπαταρίες από το ηλεκτρικό εργαλείο, εφόσον αυτές αφαιρούνται.** Αυτού του είδους τα προληπτικά μέτρα ασφαλείας μειώνουν τον κίνδυνο τυχαίας έναρξης του προϊόντος.
- **Φυλάσσετε τα μηχανοκίνητα εργαλεία που δεν χρησιμοποιείτε μακριά από παιδιά και μην αφήνετε άτομα που δεν είναι εξοικειωμένα μαζί τους ή με αυτές τις οδηγίες να τα χρησιμοποιούν.** Τα μηχανοκίνητα εργαλεία είναι επικίνδυνα όταν χρησιμοποιούνται από μη εκπαιδευμένους χρήστες.
- **Συντηρείτε τα ηλεκτρικά εργαλεία και εξαρτήματα.** Ελέγχετε για προβλήματα στην ευθυγράμμιση ή πιάσιμο των κινούμενων εξαρτημάτων, σπάσιμο εξαρτημάτων και άλλες καταστάσεις που μπορεί να επηρεάζουν τη λειτουργία του εργαλείου. Σε περίπτωση ζημιάς, επισκευάστε το προϊόν πριν τη χρήση. Πολλά ατυχήματα προκαλούνται εξαιτίας κακής συντήρησης στα εργαλεία.
- **Διατηρείτε τα εργαλεία κοπής αιχμηρά και καθαρά.** Τα σωστά συντηρημένα εργαλεία με

ακονισμένες άκρες είναι λιγότερο πιθανό να στομώσουν και ελέγχονται ευκολότερα.

- **Χρησιμοποιείτε το προϊόν, τα εξαρτήματα και τις μύτες του εργαλείου, κ.λπ., σύμφωνα με τις παρούσες οδηγίες, συνυπολογίζοντας τις συνθήκες εργασίας και την εργασία που πρέπει να εκτελεστεί.** Η χρήση του μηχανοκίνητου εργαλείου για εργασίες διαφορετικές από τις προοριζόμενες μπορεί να προκαλέσει κινδύνους.
- **Διατηρείτε τις λαβές και τις επιφάνειες συγκράτησης στεγνές και καθαρές χωρίς λάδια και γράσα.** Τυχόν γλιστερές λαβές και επιφάνειες συγκράτησης δεν επιτρέπουν τον ασφαλή χειρισμό και τον έλεγχο του εργαλείου σε μη αναμενόμενες καταστάσεις.

ΣΥΝΤΗΡΗΣΗ

- **Επισκευάστε το μηχανοκίνητο εργαλείο σας από ειδικευμένους τεχνικούς, χρησιμοποιώντας μόνο πανομοιότυπα ανταλλακτικά.** Έτσι θα διασφαλιστεί η διατήρηση της ασφάλειας του εργαλείου.

ΠΡΟΕΙΔΟΠΟΙΗΣΕΙΣ ΑΣΦΑΛΕΙΑΣ ΚΩΛΩΝΤΟΥ ΔΡΑΠΑΝΟΥ

- **Το δράπανο πρέπει να παραμένει στερεωμένο.** Ένα μη στερεωμένο δράπανο μπορεί να μετακινηθεί ή να ανατραπεί και να προκληθεί ατομικός τραυματισμός.
- **Το τεμάχιο εργασίας πρέπει να είναι σφιγμένο ή στερεωμένο στη διάταξη υποστήριξης τεμαχίου εργασίας. Μην τρυπάτε κομμάτια πολύ μικρά για να στερεωθούν με ασφάλεια.** Τυχόν κράτημα του τεμαχίου εργασίας με το χέρι κατά την χρήση του εργαλείου μπορεί να προκαλέσει ατομικό τραυματισμό.
- **Μην φοράτε γάντια.** Τα γάντια μπορεί να εγκλωβιστούν από περιστρεφόμενα μέρη ή γρέζια και να προκληθεί ατομικός τραυματισμός.
- **Κρατάτε τα χέρια σας μακριά από την περιοχή διάτρησης ενόσω το εργαλείο λειτουργεί.** Τυχόν επαφή με περιστρεφόμενα μέρη ή γρέζια μπορεί να προκαλέσει ατομικό τραυματισμό.
- **Βεβαιωθείτε ότι το εξάρτημα περιστρέφεται πριν εισάγετε το τεμάχιο εργασίας.** Διαφορετικά το εξάρτημα μπορεί να παγιδευτεί μέσα στο τεμάχιο εργασίας προκαλώντας μη αναμενόμενη κίνησή του και ατομικό τραυματισμό.
- **Εάν το εξάρτημα παγιδευτεί, σταματήστε να ασκείτε πίεση προς τα κάτω και απενεργοποιήστε το εργαλείο.** Διευρύνστε και λάβετε τα απαραίτητα διορθωτικά μέτρα για να εξαλείψετε το αίτιο παγίδευσης του εργαλείου. Η παγίδευση του εργαλείου μπορεί να προκαλέσει μη αναμενόμενη κίνηση του τεμαχίου εργασίας και ατομικό τραυματισμό.
- **Αποφύγετε τη δημιουργία συνεχόμενων γρεζιών διακόπτοντας τακτικά την πίεση προς τα κάτω.** Τα αιχμηρά μεταλλικά γρέζια μπορεί να προκαλέσουν





εμπλοκή και ατομικούς τραυματισμούς.

- **Ποτέ μην αφαιρείτε τα γρέζια από την περιοχή διάτρησης ενόσω το εργαλείο λειτουργεί.** Για να αφαιρέσετε τα γρέζια, μετακινήστε το εξάρτημα μακριά από το τεμάχιο εργασίας, απενεργοποιήστε το εργαλείο και περιμένετε να σταματήσει το εξάρτημα να λειτουργεί. Για την αφαίρεση των γρεζιών, χρησιμοποιήστε κάποιο εργαλείο, όπως βούρτσα ή γάντζο. Τυχόν επαφή με περιστρεφόμενα μέρη ή γρέζια μπορεί να επιφέρει ατομικό τραυματισμό.
- **Εξαρτήματα με ονομαστικές ταχύτητες θα πρέπει να βαθμολογούνται σε ταχύτητα τουλάχιστον ίση με τη μέγιστη ταχύτητα που αναγράφεται στο ηλεκτρικό εργαλείο.** Τα αξεσουάρ που λειτουργούν με ταχύτητα μεγαλύτερη από την ονομαστική ταχύτητα μπορεί να σπασούν και να εκτιναχθούν.
- **Διατηρείτε τα τρυπάνια καθαρά και αιχμηρά.** Τα αιχμηρά τρυπάνια ελαχιστοποιούν το κόλλημα. Τα ακάθαρτα και μη ακονισμένα τρυπάνια ενδέχεται να επηρεάσουν την ευθυγράμμιση του υλικού και να επιφέρουν τραυματισμό του χειριστή.
- **Κρατάτε τα χέρια σας μακριά από την περιοχή εργασίας.** Κρατάτε τα χέρια σας μακριά από το τρυπάνι. Απομακρύνετε τυχόν χαλαρά ρούχα, κοσμήματα, μακριά μαλλιά κτλ. διότι υπάρχει κίνδυνος να πιαστούν στο τρυπάνι.
- **Στερεώνετε πάντα το τεμάχιο εργασίας ή τον κηδεμόνα στην κολόνα προς αποφυγή της περιστροφής.** Ποτέ μην κρατάτε το τεμάχιο εργασίας με το χέρι σας όταν τρυπάτε.
- **Χρησιμοποιείτε τη συνιστώμενη ταχύτητα για το εκάστοτε εξάρτημα διάτρησης και το υλικό του τεμαχίου εργασίας.**
- **Βεβαιωθείτε ότι το τρυπάνι ή το εργαλείο κοπής του δράπανου είναι ασφαλισμένα με το τσοκ.**
- **Βεβαιωθείτε ότι το κλειδί του τσοκ έχει αφαιρεθεί από το τσοκ πριν συνδέσετε το μηχάνημα στο ρεύμα ή πριν το θέσετε σε λειτουργία.**
- **Ρυθμίστε το τραπέζι εργασίας ή το ρυθμιστή βάθους έτσι ώστε να αποφευχθεί η διάτρηση του τραπεζιού.** Αποσυνδέστε από το ρεύμα, αφαιρέστε το τρυπάνι και καθαρίστε το τραπέζι πριν εγκαταλείψετε το μηχάνημα.
- **Αποφύγετε την άμεση έκθεση των ματιών σας όταν χρησιμοποιείτε τον οδηγό λέιζερ.**
- **Βεβαιωθείτε ότι η ακτίνα λέιζερ στοχεύει σε μη ανακλαστική επιφάνεια.** Τα γυαλιστερά, ανακλαστικά υλικά δεν είναι κατάλληλα για χρήση λέιζερ.
- **Ποτέ μη βάζετε τα δάχτυλά σας σε σημεία όπου μπορεί να έρθουν σε επαφή με το τρυπάνι ή άλλο εργαλείο κοπής για την περίπτωση που το τεμάχιο εργασίας κινηθεί ξαφνικά.**
- **Ποτέ μην εκτελείτε μια εργασία μετακινώντας την κεφαλή ως προς τραπέζι.** Μην ανοίγετε το διακόπτη της κεφαλής και μην ξεκινάτε οποιαδήποτε εργασία πριν βεβαιωθείτε ότι η λαβή κλειδώματος της κεφαλής και του τραπεζιού είναι στερεωμένες

γερά στη στήλη και ότι τα κολάρα υποστήριξης της κεφαλής και του τραπεζιού είναι σωστά τοποθετημένα.

- **Πριν ανοίξετε το διακόπτη λειτουργίας, βεβαιωθείτε ότι το προστατευτικό του ιμάντα είναι καταβασμένο και το τσοκ έχει εγκατασταθεί σωστά.**
- **Κλειδώστε διακόπτη απενεργοποίησης του μηχανήματος όταν το εγκαταλείπετε.** Μην εκτελείτε εργασίες διαμόρφωσης, συναρμολόγησης ή εγκατάσταση τεμαχίου εργασίας επάνω στο τραπέζι ενώ το εργαλείο κοπής περιστρέφεται, είναι ενεργοποιημένο ή συνδεδεμένο στο ρεύμα.
- **Αν το καλώδιο παροχής ρεύματος φθαρεί, πρέπει να αντικατασταθεί μόνο από τον παρασκευαστή ή εξουσιοδοτημένο κέντρο σέρβις για αποφυγή κινδύνων.**
- **Φυλάσσετε τα εργαλεία που δεν χρησιμοποιείτε.** Όταν δεν χρησιμοποιούνται, τα εργαλεία πρέπει να φυλάσσονται σε στεγνό και κλειδωμένο χώρο, μακριά από παιδιά.
- **Συνιστάται η τροφοδοσία του εργαλείου με συσκευή προστασίας ρεύματος διαρροής με ονομαστική ένταση ρεύματος διαρροής μικρότερη των 30mA.**
- **Φυλαξτε αυτες τις οδηγίες.** Συμβουλευτείτε συχνά τις οδηγίες και χρησιμοποιήστε τις για να ενημερώσετε άλλους χρήστες. Αν δανείσετε σε κάποιον το εργαλείο, δώστε μαζί και αυτές τις οδηγίες.

ΑΣΦΑΛΕΙΑ ΚΑΙ ΣΥΣΚΕΥΕΣ ΜΕ ΛΕΙΖΕΡ

- Η ακτινοβολία λέιζερ που χρησιμοποιείται στο προϊόν είναι Κατηγορίας 2 με μέγιστη ισχύ =1 mW και μήκη κύματος 650 nm. Μην κοιτάζετε απευθείας στην ακτίνα λέιζερ. Η μη τήρηση των κανόνων μπορεί να προκαλέσει σοβαρό τραυματισμό.
- Μην κοιτάζετε στην ακτίνα κατά τη λειτουργία.
- Μην προβάλλετε την ακτίνα λέιζερ απευθείας στα μάτια των άλλων. Υπάρχει κίνδυνος σοβαρού οφθαλμολογικού τραυματισμού.
- Μην τοποθετείτε το λέιζερ σε θέση που μπορεί να προκαλέσει την άμεση οπτική επαφή με αυτό, σκόπιμα ή όχι.
- Μην χρησιμοποιείτε οπτικά εργαλεία για να δείτε την ακτίνα λέιζερ.
- Μην χρησιμοποιείτε το λέιζερ κοντά σε παιδιά και μην αφήνετε παιδιά να το χρησιμοποιούν.
- Μην προσπαθήσετε να επισκευάσετε τη συσκευή λέιζερ μόνοι σας.
- Μην προσπαθήσετε να αντικαταστήσετε οποιοδήποτε εξάρτημα της συσκευής λέιζερ μόνοι σας.
- Οι επισκευές θα πρέπει να εκτελούνται μόνο από τον κατασκευαστή του λέιζερ ή εξουσιοδοτημένο αντιπρόσωπο.
- Μην αντικαθιστάτε το λέιζερ με άλλο διαφορετικού τύπου.



ΆΛΛΟΙ ΚΙΝΔΥΝΟΙ

Ακόμη και όταν το προϊόν χρησιμοποιείται σύμφωνα με τις οδηγίες, δεν είναι δυνατή η απόλυτη απαλειφή συγκεκριμένων παραγόντων κινδύνου. Ο χειριστής πρέπει να δίνει ιδιαίτερη προσοχή σε αυτά τα σημεία, προκειμένου να αποφύγει τον κίνδυνο σοβαρού τραυματισμού.

- Βλάβες στην ακοή – Φοράτε κατάλληλα προστατευτικά αυτιών και περιορίστε την έκθεση.
- Βλάβες στην όραση – Φοράτε προστατευτικές ασπίδες ματιών ή ειδικά γυαλιά όταν χρησιμοποιείτε το προϊόν.
- Τραυματισμοί από τον κραδασμό - Περιορίστε την έκθεση και ακολουθήστε τις οδηγίες για τη μείωση των κινδύνων όπως αναφέρονται στο παρόν εγχειρίδιο.
- Κίνδυνος αναπνευστικής βλάβης από πριονίδια που δημιουργούνται κατά τον χειρισμό του προϊόντος – Φοράτε κατάλληλα προστατευτικά ανάλογα με τον τύπο πριονιδίου.

ΠΡΟΕΙΔΟΠΟΙΗΣΗ

Ορισμένες σκόνες που προκύπτουν από τις ενέργειες λείανσης, πριονίσματος, αλέσματος, διάτρησης και από άλλες οικοδομικές δραστηριότητες, περιέχουν χημικά προϊόντα που μπορεί να αποδειχτούν καρκινογόνα και να προκαλέσουν συγγενείς νόσους ή προβλήματα στειρότητας. Ακολουθούν ορισμένα παραδείγματα των χημικών αυτών προϊόντων:

- μόλυβδος, στα χρώματα με βάση το μόλυβδο,
- το πυρίτιο στην κρυσταλλική του μορφή που υπάρχει σε ορισμένα τσιμέντα, τούβλα και άλλα προϊόντα οικοδομής,
- το αρσενικό και το χρώμιο που βρίσκονται σε ορισμένα χημικά επεξεργασμένα ξύλα.

Ο κίνδυνος που σχετίζεται με τα προϊόντα αυτά ποικίλλει ανάλογα με τη συχνότητα των εργασιών τέτοιου τύπου. Για να μειώσετε τον κίνδυνο έκθεσής σας στις χημικές αυτές ουσίες, να εργάζεστε σε καλά αεριζόμενο περιβάλλον, με εγκεκριμένο εξοπλισμό ασφαλείας, όπως μάσκες κατά της σκόνης που έχουν σχεδιαστεί ειδικά για το φιλτράρισμα των μικροσκοπικών μορίων.

ΗΛΕΚΤΡΙΚΑ

Χρησιμοποιείτε μόνο τριφασικά καλώδια προέκτασης που έχουν τριπλά αρσενικά γειωμένα βύσματα και τριπολικές υποδοχές που συμβαδίζουν με το βύσμα του προϊόντος. Όταν χρησιμοποιείτε ένα ηλεκτροκίνητο εργαλείο σε μεγάλη απόσταση από την παροχή ρεύματος, χρησιμοποιήστε ένα καλώδιο προέκτασης αρκετά δυνατό για να αντέξει το ρεύμα που αντλεί το προϊόν. Ένα καλώδιο μικρότερου μεγέθους θα προκαλέσει μια πτώση τάσης, καταλήγοντας σε απώλεια ισχύος και υπερθέρμανση του κινητήρα.

Πριν χρησιμοποιήσετε καλώδιο προέκτασης, επιθεωρήστε το για χαλαρά ή εκτεθειμένα σύρματα ή φθαρμένο μονωτικό.

ΠΡΟΕΙΔΟΠΟΙΗΣΗ

Διατηρείτε το καλώδιο της προέκτασης μακριά από τον χώρο εργασίας. Τοποθετήστε το καλώδιο με τέτοιο τρόπο ώστε να μη πιαστεί σε ξυλεία, εργαλεία ή άλλα εμπόδια ενώ χειρίζεστε ένα ηλεκτροκίνητο εργαλείο. Η μη τήρηση της σύστασης αυτής μπορεί να προκαλέσει σοβαρό σωματικό τραυματισμό.

ΠΡΟΕΙΔΟΠΟΙΗΣΗ

Ελέγχετε τα καλώδια προέκτασης πριν από κάθε χρήση. Σε περίπτωση φθοράς, αντικαταστήστε τα άμεσα. Μην χρησιμοποιείτε ποτέ εργαλεία με φθαρμένα καλώδια, αφού η επαφή με τη φθαρμένη περιοχή μπορεί να προκαλέσει ηλεκτροπληξία και σοβαρό τραυματισμό.

ΗΛΕΚΤΡΟΛΟΓΙΚΗ ΣΥΝΔΕΣΗ

Το προϊόν τροφοδοτείται από ηλεκτρικό κινητήρα ακριβείας. Θα πρέπει να συνδέεται σε παροχή ρεύματος 220~240 V, μόνο AC (κανονικό οικιακό ρεύμα), 50 Hz. Μην χρησιμοποιείτε το προϊόν με συνεχές ρεύμα (DC). Μια σημαντική πτώση τάσης θα προκαλέσει απώλεια ισχύος και υπερθέρμανση του κινητήρα. Αν το προϊόν δεν λειτουργεί ενώ το έχετε συνδέσει στην πρίζα, ελέγξτε ξανά την παροχή ρεύματος.

ΤΑΧΥΤΗΤΑ ΚΑΙ ΚΑΛΩΔΙΣΜ

Αυτή η ταχύτητα δεν είναι σταθερή και μειώνεται με την ύπαρξη φορτίου ή με χαμηλότερη τάση. Για τάση, η καλωδίωση στο κατάστημα είναι εξίσου σημαντική με τη βαθμονόμηση ισχύος ήπιων του κινητήρα. Γραμμή που διατίθεται μόνο για φωτισμό δεν μπορεί να λειτουργήσει σωστά με κινητήρα μηχανοκίνητου εργαλείου. Σύρμα που είναι αρκετά βαρύ για μικρή απόσταση, είναι υπερβολικά ελαφρύ για μεγαλύτερες αποστάσεις. Μια γραμμή που μπορεί να υποστηρίξει ένα μηχανοκίνητο εργαλείο, μπορεί να μην είναι σε θέση να υποστηρίξει δύο ή τρία.

ΟΔΗΓΙΕΣ ΓΕΙΩΣΗΣ

Σε περίπτωση δυσλειτουργίας ή προβλήματος, η γείωση αποτελεί την τελευταία αντίσταση στο ηλεκτρικό ρεύμα, μειώνοντας τον κίνδυνο ηλεκτροπληξίας. Το προϊόν είναι εξοπλισμένο με ηλεκτρικό καλώδιο που διαθέτει αγωγό γείωσης εξοπλισμού και βύσμα γείωσης. Το βύσμα πρέπει να συνδεθεί σε αντίστοιχη πρίζα που είναι σωστά εγκατεστημένη και γειωμένη, σύμφωνα με τους τοπικούς κώδικες και κανόνες.

Μην τροποποιείτε το παρεχόμενο βύσμα. Αν δεν ταιριάζει στην πρίζα, φροντίστε για την τοποθέτηση κατάλληλης από ειδικευμένο ηλεκτρολόγο. Τυχόν λανθασμένη σύνδεση του αγωγού γείωσης του μηχανήματος ενέχει κίνδυνο ηλεκτροπληξίας. Ο αγωγός με μόνωση και

πράσινη εξωτερική επιφάνεια, με ή χωρίς κίτρινες ρίγες, είναι ο αγωγός γείωσης. Εάν απαιτείται επισκευή ή αντικατάσταση του καλωδίου τροφοδοσίας ή του φως, μην συνδέετε τον αγωγό γείωσης σε ενεργή πρίζα.

Επισκευάσετε ή αντικαθίστε τα κατεστραμμένα ή φθαρμένα καλώδια αμέσως.

ΣΥΝΙΣΤΩΜΕΝΑ ΕΞΑΡΤΗΜΑΤΑ

⚠ ΠΡΟΕΙΔΟΠΟΙΗΣΗ

Χρησιμοποιείτε μόνο τα εξαρτήματα που συνιστώνται γι' αυτό το μηχάνημα.

Ακολουθείτε τις οδηγίες που συνοδεύουν τα εξαρτήματα. Τυχόν χρήση ακατάλληλων εξαρτημάτων μπορεί να προκαλέσει ζημιές.

- Τρυπάνι
- Σφιγκτήρες στερέωσης
- Μέγγνες δράπανου

⚠ ΠΡΟΕΙΔΟΠΟΙΗΣΗ

Χρησιμοποιείτε μόνο τα εξαρτήματα που έχουν σχεδιαστεί για το συγκεκριμένο μηχάνημα προς αποφυγή τραυματισμού από εκσφενδονιζόμενα κομμάτια ή τεμάχια εργασίας.

Μην χρησιμοποιείτε οποιοδήποτε εξάρτημα εάν δεν έχετε διαβάσει ολόκληρο το εγχειρίδιο χρήσης ή λειτουργίας του συγκεκριμένου εξαρτήματος.

ΠΕΡΙΧΟΜΕΝΑ ΣΥΣΚΕΥΑΣΙΑΣ

ΑΝΟΙΓΜΑ ΣΥΣΚΕΥΑΣΙΑΣ ΚΑΙ ΕΛΕΓΧΟΣ ΠΕΡΙΧΟΜΕΝΩΝ

⚠ ΠΡΟΕΙΔΟΠΟΙΗΣΗ

Εάν λείπει οποιοδήποτε τμήμα του μηχανήματος ή εμφανίζει ζημιά, μην θέτετε το μηχάνημα σε λειτουργία μέχρι να αντικατασταθεί το τμήμα που απουσιάζει και να ολοκληρωθεί η συναρμολόγηση.

Ανοίξτε τη συσκευασία του μηχανήματος και των τμημάτων του προσεκτικά και ελέγξτε ότι υπάρχουν όλα όσα αναφέρονται στην παρακάτω λίστα

Για να προστατέψετε το μηχάνημα από την υγρασία, έχει τοποθετηθεί προστατευτική επίστρωση στις κατεργασμένες επιφάνειες. Αφαιρέστε την επίστρωση με μαλακό πανί εμποτισμένο ελαφρά σε κηροζίνη ή WD-40.

⚠ ΠΡΟΕΙΔΟΠΟΙΗΣΗ

Προς αποφυγή φωτιάς ή τοξικής αντίδρασης, μην χρησιμοποιείτε ποτέ βενζίνη, νέφτι, ασετόν, διαλυτικά βαφών ή άλλους πτητικούς διαλύτες για τον καθαρισμό του μηχανήματος.

Απλώστε ένα στρώμα κεριού στο τραπέζι εργασίας, στην κολόνα και στις κατεργασμένες επιφάνειες της βάσης για προστασία από τη σκουριά. Σκουπίστε όλα τα μέρη καλά με στεγνό, καθαρό πανί.

Αντικείμενο	Περιγραφή	Ποσότη.
1	Διάταξη κεφαλής	1
2	Πάγκος	1
3	Πέλμα	1
4	Ρυθμιστής ύψους	1
5	κολόνα	1
6	Δακτύλιος ρυθμιστή ύψους	1
7	Λαβές τροφοδοσίας	3
8	Μειωτήρας ατέρμωνα	1
9	Λαβή ασφάλισης τραπεζιού	1
10	Μανιβέλα τραπεζιού	1
11	Εξαγωνικές βίδες	3
12	Τσοκ	1
13	Κλειδί τσοκ	1
14	Εξάγωνη βίδα 4 χιλ.	1
15	Εξάγωνη βίδα 3 χιλ.	1

ΣΥΝΑΡΜΟΛΟΓΗΣΗ ΚΑΙ ΡΥΘΜΙΣΕΙΣ

⚠ ΠΡΟΕΙΔΟΠΟΙΗΣΗ

Για την ασφάλειά της, ποτέ μη συνδέετε το μηχάνημα στο ρεύμα μέχρι να ολοκληρωθεί η συναρμολόγηση και μέχρι να διαβάσετε και να κατανοήσετε τις οδηγίες ασφάλειας και λειτουργίας.

⚠ ΠΡΟΕΙΔΟΠΟΙΗΣΗ

Το μηχάνημα είναι βαρύ και πρέπει να μετακινείται με τη βοήθεια δύο ή περισσότερων ατόμων έτσι ώστε να συναρμολογείται με ασφάλεια.

ΣΥΝΔΕΣΗ ΤΗΣ ΚΟΛΟΝΑΣ ΜΕ ΤΗ ΒΑΣΗ

Βλ. Σχήμα 5.

1. Τοποθετήστε την κολόνα σε επίπεδη και σταθερή επιφάνεια.

- Ευθυγραμμίστε τις υποδοχές βιδών της κολόνας με τις υποδοχές βιδών στη βάση.
- Τοποθετήστε μια εξαγωνική βίδα σε κάθε τρύπα.
- Σφίξτε όλες τις εξαγωνικές βίδες με ένα ρυθμιζόμενο κλειδί.

ΣΥΝΔΕΣΗ ΤΟΥ ΤΡΑΠΕΖΙΟΥ ΣΤΗΝ ΚΟΛΟΝΑ.

Βλ. Σχήματα 6 - 10.

- Εισάγετε τη λαβή ασφάλισης του βραχίονα του τραπεζιού στην κοχλιοτομημένη οπή στο πίσω μέρος του βραχίονα του τραπεζιού.
ΣΗΜΕΙΩΣΗ: Εγκαταστήστε τη λαβή από αριστερά προς τα δεξιά, έτσι ώστε να μπαίνει στην μη κοχλιοτομημένη πλευρά του βραχίονα πρώτα.
- Τροφοδοτήστε το μειωτήρα ατέρμονα μέσω της οπής της μανιβέλας στο βραχίονα του τραπεζιού. Βεβαιωθείτε ότι ο μειωτήρας ατέρμονα ταιριάζει με τον εσωτερικό μειωτήρα.
ΣΗΜΕΙΩΣΗ: Μην αφαιρείτε τη λίπανση από τον μειωτήρα.
- Τροφοδοτήστε τον ρυθμιστή ύψους μέσω της οπής στον βραχίονα του τραπεζιού έτσι ώστε τα δόντια να βλέπουν προς τα έξω και το μακρύτερο λείο άκρο βλέπει προς τα πάνω. Ο μειωτήρας ατέρμονα θα πρέπει να χρησιμοποιεί τον ρυθμιστή ύψους.
- Με τα δύο χέρια, σπρώξτε το τραπέζι και τον ρυθμιστή ύψους στην κολόνα μέχρι το κάτω μέρος του ρυθμιστή να φτάσει στη βάση του κολάρου και να κολλήσει στον κολόνα.
- Σφίξτε τη μανιβέλα κλειδώματος του βραχίονα του τραπεζιού ώστε να συνδέσετε το τραπέζι με την κολόνα
ΣΗΜΕΙΩΣΗ Μην σφίγγετε υπερβολικά.
- Σύρετε το δακτύλιο του ρυθμιστή ύψους πάνω από τη στήλη, με την λοξή πλευρά προς τα κάτω, μέχρι η κομμένη πλευρά να φτάσει στο κεκλιμένο άκρο του ρυθμιστή.
- Σφίξτε τη βίδα ρύθμισης στο κολάρο με το εξαγωνικό κλειδί. Προς αποφυγή ζημιάς στην κολόνα ή το κολάρο, μην σφίγγετε υπερβολικά τη βίδα ρύθμισης.
ΣΗΜΕΙΩΣΗ Θα πρέπει να μπορείτε να μετακινήτε το τραπέζι από την μια πλευρά στην άλλη.
- Εγκαταστήστε τη μανιβέλα του τραπεζιού πάνω από το άκρο του μειωτήρα ατέρμονα έτσι ώστε η επίπεδη πλευρά του άξονα να ευθυγραμμιστεί με τη βίδα ρύθμισης.
- Σφίξτε τη βίδα ρύθμισης στο κολάρο με το εξαγωνικό κλειδί.

ΕΓΚΑΤΑΣΤΑΣΗ ΤΗΣ ΚΕΦΑΛΗΣ

Βλ. Σχήμα 11.

⚠ ΠΡΟΕΙΔΟΠΟΙΗΣΗ

Η κεφαλή του Κολονάτου Δράπανου είναι βαριά και θα πρέπει να μεταφέρεται με τη βοήθεια δύο ατόμων προκειμένου να συνδέσουν την κεφαλή του δράπανου στην κολόνα.

- Τοποθετήστε την κεφαλή επάνω στην κολόνα με το

τσοκ πάνω από το τραπέζι.

ΣΗΜΕΙΩΣΗ Το προϊόν είναι βαρύ. Ζητήστε βοήθεια εάν χρειάζεται.

- Σύρετε την κεφαλή προς τα κάτω όσο είναι δυνατόν. Ευθυγραμμίστε το τραπέζι με την βάση και μετά σφίξτε τις δύο βίδες ρύθμισης της κεφαλής με το εξαγωνικό κλειδί

ΕΓΚΑΤΑΣΤΑΣΗ ΤΩΝ ΛΑΒΩΝ ΤΡΟΦΟΔΟΣΙΑΣ

Βλ. Σχήμα 12.

- Συνδέστε τις τρεις λαβές τροφοδοσίας βιδώνοντάς τις στις κοχλιοτομημένες οπές της κεφαλής στροφαίου.

ΕΓΚΑΤΑΣΤΑΣΗ ΤΟΥ ΤΣΟΚ

Βλ. Σχήματα 13 - 15.

⚠ ΠΡΟΕΙΔΟΠΟΙΗΣΗ

Πριν συνδέσετε το τσοκ στην κεφαλή του δράπανου, καθαρίστε όλες τις επιφάνειες επαφής με μη πετρελαιοειδές καθαριστικό. Τυχόν λάδια ή γράσα που χρησιμοποιήθηκαν στη συσκευασία αυτών των τμημάτων πρέπει να αφαιρεθούν γιατί αλλιώς, το τσοκ μπορεί να χαλαρώσει κατά τη λειτουργία του μηχανήματος.

- Καθαρίστε την κωνική οπή στο τσοκ με καθαρό πανί και μη αλκοολούχο καθαριστικό. Σκουπίστε σχολαστικά τυχόν υπολείμματα λαδιού και ρύπους ή λίγδα.
- Καθαρίστε τις κωνικές επιφάνειες στον άξονα με τον ίδιο τρόπο.
ΣΗΜΕΙΩΣΗ Βεβαιωθείτε ότι δεν υπάρχουν ξένα σωματίδια προσκολλημένα στις επιφάνειες. Ακόμη και ο ελάχιστος ρύπος ή υπόλειμμα λαδιού σε οποιαδήποτε από τις επιφάνειες αυτές θα εμποδίζει τη σωστή εφαρμογή του τσοκ. Αυτό θα έχει ως αποτέλεσμα να ταλαντώνονται το τσοκ του δράπανου και το τρυπάνι.
- Θέση του τσοκ επάνω στον άξονα. Το τσοκ πρέπει να είναι εντελώς ανοιχτό ώστε να αποφευχθεί ζημιά στους σφικτήρες.
- Ξεκλειδώστε την ασφάλεια του τραπεζιού και κουνήστε το τραπέζι μακριά από το κάτω μέρος του τσοκ.
- Βάλτε το τσοκ επάνω στον άξονα σπρώχνοντας μέχρι τέρμα.
- Χρησιμοποιήστε ένα κομμάτι άχρηστο ξύλο για να προστατέψετε το τσοκ, χτυπήστε το τσοκ για να μπει στη θέση του με ξύλινο ή λαστιχένιο σφυρί.

⚠ ΠΡΟΣΟΧΗ

Κίνδυνος καταστροφής εξοπλισμού. Προς αποφυγή ζημιάς στο τσοκ, ποτέ μην σπρώχνετε το τσοκ στον άξονα με μεταλλικό σφυρί.



ΑΦΑΙΡΕΣΗ ΤΟΥ ΤΣΟΚ

1. Στρέψτε τις λαβές τροφοδοσίας για να χαμηλώσετε το τσοκ στην χαμηλότερη θέση.
2. Τοποθετήστε έναν σφαιρικό σύνδεσμο (δεν εικονίζεται) πάνω από το τσοκ και χτυπήστε τον ελαφρά με ξύλινο ή λαστιχένιο σφυρί για να πέσει το τσοκ από τον άξονα **ΣΗΜΕΙΩΣΗ** Ποτέ μην χτυπάτε το τσοκ απευθείας.

ΣΗΜΕΙΩΣΗ Προς αποφυγή ζημιάς στο τσοκ, πρώτα σηκώστε τους σφιγκτήρες τελείως επάνω και να είστε έτοιμοι να πιάσετε το τσοκ που θα πέσει.

ΣΤΕΡΕΩΣΗ ΤΟΥ ΚΟΛΟΝΑΤΟΥ ΔΡΑΠΑΝΟΥ ΣΤΗΝ ΕΠΙΦΑΝΕΙΑ ΕΡΓΑΣΙΑΣ

Βλ. Σχήμα 16.

Εάν το μηχάνημα πρόκειται να χρησιμοποιηθεί σε μόνιμη θέση, ασφαλίστε το σε πάγκο εργασίας ή άλλη σταθερή επιφάνεια.

Αν το μηχάνημα πρόκειται να χρησιμοποιηθεί ως φορητό εργαλείο, συνιστάται να το στερεώσετε μόνιμα σε μια πλάκα στερέωσης που μπορεί εύκολα να τοποθετηθεί με σφιγκτήρα σε πάγκο εργασίας ή άλλη επιφάνεια στήριξης. Η πλάκα στερέωσης θα πρέπει να έχει επαρκές μέγεθος ώστε να αποτρέπεται η πτώση του μηχανήματος κατά τη χρήση. Συνιστάται οποιαδήποτε μοριοσανίδα ή κόντρα πλακέ καλής κλάσης με πάχος 19 mm (3/4").

1. Σημαδεύετε τα σημεία για τις τρύπες στην επιφάνεια στα σημεία όπου θα στερεωθεί το κολονάτο δράπανο χρησιμοποιώντας τις τρύπες της βάσης του δράπανου ως πρότυπο.
2. Άνοιγμα οπών μέσω της επιφάνειας στερέωσης.
3. Τοποθετήστε το δράπανο στην επιφάνεια στερέωσης, ευθυγραμμίζοντας τις τρύπες της βάσης με τις τρύπες που ανοίξατε την επιφάνεια στερέωσης.
4. Εισαγάγετε μπουλόνια (δεν συμπεριλαμβάνονται) και σφίξτε καλά με ροδέλες ασφάλισης και εξάγωνα παξιμάδια (δεν συμπεριλαμβάνονται).

Αν χρησιμοποιηθούν πριτσίνια, φροντίστε να είναι αρκετά μακριά ώστε να περάσουν μέσα από τις οπές της βάσης του δράπανου και από το υλικό στο οποίο στερεώνεται αυτό. Αν χρησιμοποιηθούν περικόχλια, φροντίστε να είναι αρκετά μακριά ώστε να περάσουν μέσα από τις οπές της βάσης του δράπανου, από το υλικό στο οποίο στερεώνεται το δράπανο, καθώς και τις ροδέλες ασφάλισης και τα εξάγωνα παξιμάδια.

ΣΗΜΕΙΩΣΗ Όλα τα μπουλόνια πρέπει να εισαχθούν από το πάνω μέρος. Τοποθετήστε τις ροδέλες ασφάλισης και τα εξάγωνα παξιμάδια από την κάτω μεριά του πάγκου.

Μόλις το μηχάνημα στερεωθεί σε μια γερή επιφάνεια:

1. Ελέγξτε αν προκαλούνται δονήσεις όταν το μηχάνημα τίθεται σε λειτουργία (θέση ON).
2. Ρυθμίστε και ξανασφίξτε τα εξαρτήματα στερέωσης εφόσον απαιτείται.
3. Βεβαιωθείτε ότι τραπέζι μπορεί να κινείται ελαφρός προς τα πάνω και κάτω κατά μήκος της κολόνας.
4. Βεβαιωθείτε ότι ο άξονας κινείται ελαφρά.

ΑΠΟΘΗΚΕΥΣΗ ΚΛΕΙΔΙΟΥ ΤΣΟΚ

Βλ. Σχήμα 17.

Η υποδοχή του κλειδιού του τσοκ βρίσκεται στη δεξιά πλευρά του μηχανήματος.

ΛΟΞΗ ΔΙΑΤΡΗΣΗ

Βλ. Σχήμα 18.

ΣΗΜΕΙΩΣΗ Περιλαμβάνεται μοιρογνωμόνιο για να μετρούνται προσεγγιστικά οι γωνίες λοξοτομής. Εάν απαιτείται ακριβής μέτρηση, μπορεί να χρησιμοποιηθεί ορθογωνιόμετρο ή άλλο εργαλείο μέτρησης για την τοποθέτηση του τραπέζιου. Χρήση του μοιρογνωμόνιου:

1. Σφίξτε το παξιμάδι στο άγκιστρο ασφάλισης με τη βοήθεια κλειδιού 10 χιλ. ή ρυθμιζόμενου, στρέφοντας δεξιόστροφα για να απελευθερώσετε το άγκιστρο από τη βάση του στο τραπέζι. Το άγκιστρο αυτό θα χρειαστεί όταν επαναφέρετε το τραπέζι σε γωνία 0 μοιρών με το στήριγμά του. Μην το πετάξετε.
2. Χαλαρώστε το μεγάλο εξαγωνικό μπουλόνι της λοξοτομής του τραπέζιου με κλειδί 17 χιλ. ή ρυθμιζόμενο.
3. Γείρετε το τραπέζι, ευθυγραμμίζοντας την επιθυμητή γωνία με τη μηδενική γραμμή απέναντι από την κλίμακα.
4. Σφίξτε το μπουλόνι ασφάλισης λοξοτομής τραπέζιου
5. Για να επαναφέρετε το τραπέζι στην αρχική του θέση, χαλαρώστε το μπουλόνι ασφάλισης της λοξοτομής καλωδίου. Επαναφέρετε το τραπέζι στη θέση 0°.
6. Επαναφέρετε το παξιμάδι στο άγκιστρο ασφάλισης στο εξωτερικό άκρο των αυλακώσεων. Χτυπήστε μαλακά το άγκιστρο ασφάλισης με λαστιχένιο σφυρί μέχρι να τοποθετηθεί στην αντίστοιχη του τρύπα στο βραχίονα του τραπέζιου. Σφίξτε το παξιμάδι με το χέρι.

ΣΗΜΕΙΩΣΗ Το τραπέζι δεν εικονίζεται για λόγους ευκρίνειας της εικόνας.

ΠΡΟΕΙΔΟΠΟΙΗΣΗ

Προς αποφυγή προσωπικού τραυματισμού, πάντα να αποσυνδέετε το φως από την πρίζα όταν πρόκειται να κάνετε ρυθμίσεις.

ΑΞΟΝΑΣ / ΚΑΛΥΜΜΑ ΑΞΟΝΑ

Βλ. Σχήμα 20.

Στρέψτε αριστερόστροφα τις λαβές τροφοδοσίας για να κατεβάσετε τον άξονα στην κατώτατη θέση του. Κρατήστε το τσοκ και κινήστε το από εμπρός προς τα πίσω. Εάν υπάρχει μεγάλος τζόγος, δοκιμάστε τις εξής ρυθμίσεις:

1. Ξεκλειδώστε το παξιμάδι κλειδώματος στη δεξιά μεριά του μηχανήματος με κλειδί 10 χιλ.
2. Στρέψτε τη βίδα δεξιόστροφα με κασαβίδι για να απαλειψετε τον τζόγο. (Είναι φυσικό να έχει λίγο τζόγο ο άξονας.)
3. Σφίξτε το παξιμάδι ασφάλισης.

ΕΛΑΤΗΡΙΟ ΕΠΑΝΑΦΟΡΑΣ ΚΑΛΥΜΜΑΤΟΣ ΑΞΟΝΑ

Βλ. Σχήμα 21.



Το κάλυμμα άξονα μπορεί να χρειάζεται ρύθμιση εάν η ταχύτητα επαναφοράς του είναι πολύ υψηλή ή πολύ χαμηλή. Το ελατήριο βρίσκεται στην αριστερή πλευρά της κεφαλής του δράπανου.

- Χαμηλώστε το τραπέζι για καλύτερο έλεγχο.
- Βάλτε ένα κατσαβίδι στην εμπρός εγκοπή του καλύμματος ελατηρίου. Κρατήστε το ενώ χαλαρώνετε και αφαιρείτε το κόντρα παξιμάδι με κλειδί 10 χιλ.
- Ενώ κρατάτε το κατσαβίδι στην εγκοπή, χαλαρώστε το εσωτερικό παξιμάδι μέχρι να βγει το δόντι (πλήμνη) από την κεφαλή του δράπανου.
ΣΗΜΕΙΩΣΗ: Μην αφαιρείτε αυτό το εσωτερικό παξιμάδι γιατί το ελατήριο θα πεταχτεί.
- Στρέψτε προσεκτικά με το κατσαβίδι προς τα δεξιά το κάλυμμα του ελατηρίου, σταματώντας την επόμενη εγκοπή.
- Κατεβάστε το κάλυμμα στην κατώτερη θέση στρέφοντας τη λαβή τροφοδοσίας αριστερόστροφα ενώ κρατάτε το καπάκι του ελατηρίου στη θέση του.
- Αν το κάλυμμα κινείται πάνω-κάτω όπως επιθυμείτε, σφίξτε το εσωτερικό παξιμάδι στο καπάκι του ελατηρίου και το καπάκι του ελατηρίου με το κλειδί. Εάν είναι πολύ χαλαρό, επαναλάβετε τα βήματα 3 έως 5 για να σφίξει. Εάν είναι πολύ σφιχτό, αναίρέστε τα βήματα 4 και 5.
- Βιδώστε το εξωτερικό παξιμάδι πάνω στο εσωτερικό με το κλειδί.

ΣΗΜΕΙΩΣΗ: Μην σφίγγετε υπερβολικά περιορίζοντας την κίνηση του καλύμματος.

ΤΑΣΗ ΙΜΑΝΤΑ

Βλ. Σχήμα 22.

- Ανοίξτε το καπάκι της τροχαλίας.
- Για να ξεκλειδώσετε την ασφάλεια του ιμάντα, γυρίστε προς τα αριστερά το κουμπί ασφάλισης στη δεξιά πλευρά της κεφαλής του δράπανου.
- Τραβήξτε το μοτέρ προς το μπροστινό τμήμα του μηχανήματος για να χαλαρώσει ο ιμάντας.
- Τοποθετήστε τον ιμάντα στη σωστή αυλάκωση της τροχαλίας για να επιτύχετε την επιθυμητή ταχύτητα.
- Σπρώξτε το μοτέρ μακριά από την κεφαλή του δράπανου μέχρι ο ιμάντας να τεντωθεί όσο χρειάζεται.

ΣΗΜΕΙΩΣΗ Η τάση του ιμάντα είναι σωστή εάν εκτρέπεται κατά περίπου 13 χιλ. (1/2") εάν πιεστεί στο κέντρο του.

- Σφίξτε την ασφάλεια του ιμάντα για να ασφαλίσετε το μοτέρ στη θέση του. Κλείστε το κάλυμμα της τροχαλίας.

ΕΛΕΓΧΟΣ/ΡΥΘΜΙΣΗ ΕΥΘΥΓΡΑΜΜΙΣΗΣ ΛΕΙΖΕΡ

Το μηχάνημα είναι εφοδιασμένο με σύστημα Laser Trac®.

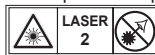
Οι ακτίνες λέιζερ σας επιτρέπουν προεπισκόπηση της διαδρομής του τρυπανιού στο τεμάχιο εργασίας που πρόκειται να διατρηθεί, πριν ξεκινήσετε την εργασία σας.

⚠ ΠΡΟΕΙΔΟΠΟΙΗΣΗ

Αποφύγετε την άμεση επαφή με τα μάτια

Οι ακτίνες λέιζερ εκπέμπονται όταν ενεργοποιηθεί ο οδηγός λέιζερ. Αποφύγετε την άμεση επαφή με τα μάτια Πριν κάνετε οποιαδήποτε ρύθμιση, αποσυνδέστε το μηχάνημα από το ρεύμα.

- Ο δείκτης λέιζερ δεν είναι παιχνίδι και τα παιδιά δεν θα πρέπει να έχουν πρόσβαση σε αυτόν. Τυχόν εσφαλμένη χρήση της συσκευής μπορεί να επιφέρει ανεπανόρθωτη βλάβη στα μάτια.
- Δεν επιτρέπεται καμία ρύθμιση για αύξηση της ισχύος του λέιζερ.
- Όταν χρησιμοποιείτε το δείκτη λέιζερ, μην στρέψετε την ακτίνα λέιζερ προς ανθρώπους και/ή ανακλαστικές επιφάνειες. Ακόμη και οι ακτίνες λέιζερ χαμηλής ισχύος μπορούν να επιφέρουν βλάβες στα μάτια. Μην κοιτάζετε απευθείας στην ακτίνα λέιζερ.
- Ο δείκτης λέιζερ δεν περιλαμβάνει εξαρτήματα συντήρησης. Μην ανοίγετε το περιβλήμα για επισκευές ή ρυθμίσεις.
- Ετικέτα προειδοποιήσεων για το λέιζερ:



- Μην αφαιρείτε ή καταστρέψετε οποιοδήποτε προειδοποιήσεις στο προϊόν. Η αφαίρεση των ετικετών αυξάνει τον κίνδυνο έκθεσης σε ακτινοβολία.
- ΠΡΟΣΟΧΗ:** Η χρήση ελέγχων ή προσαρμογών ή η εκτέλεση διαδικασιών εκτός από αυτές που περιγράφονται στο παρόν μπορεί να οδηγήσει σε επικίνδυνη έκθεση σε ακτινοβολία.
- Μην επιχειρείτε επισκευή ή αποσυναρμολόγησης του λέιζερ. Εάν επιχειρηθεί επισκευή της παρούσας συσκευής λέιζερ από μη εξουσιοδοτημένα άτομα, υπάρχει κίνδυνος σοβαρού τραυματισμού. Οποιαδήποτε επισκευή απαιτείται γι'αυτή τη συσκευή λέιζερ, θα πρέπει να εκτελείται από εξουσιοδοτημένο προσωπικό επισκευών.
- ΠΡΟΣΟΧΗ:** Η χρήση οπτικών οργάνων με αυτή τη συσκευή είναι επικίνδυνη για τα μάτια.

⚠ ΠΡΟΕΙΔΟΠΟΙΗΣΗ

Μη χρησιμοποιείτε χρωματιστά γυαλιά για να αυξήσετε το φωτισμό του λέιζερ. Τα χρωματιστά γυαλιά μειώνουν τη συνολική όραση για τη συσκευή και παρεμβαίνουν στην κανονική λειτουργία του εργαλείου.

⚠ ΠΡΟΕΙΔΟΠΟΙΗΣΗ

Ακτινοβολία λέιζερ. Μην στοχεύετε την ακτίνα σε τεμάχιο εργασίας με ανακλαστική επιφάνεια. Τα λαμπιέρρα, ανακλαστικά φύλλα χάλυβα ή παρόμοιες ανακλαστικές επιφάνειες δεν συνιστώνται για χρήση λέιζερ. Η ανακλαστική επιφάνεια θα μπορούσε να προκαλέσει αντανάκλαση της δέσμης προς τον χειριστή ή άλλα άτομα.

ΡΥΘΜΙΣΗ ΤΩΝ ΓΡΑΜΜΩΝ ΛΕΙΖΕΡ

Βλ. Σχήμα 23.

Ελέγξτε την ευθυγράμμιση του λέιζερ για να βεβαιωθείτε ότι η τομή των γραμμών λέιζερ είναι στο σημείο που το τρυπάνι του δρᾶναι έρχεται σε επαφή με το τεμάχιο εργασίας. Εάν αυτό δεν συμβαίνει, οι γραμμές λέιζερ θα πρέπει να ρυθμιστούν με τα κουμπιά ρύθμισης του λέιζερ, τα οποία βρίσκονται στις δύο πλευρές της κεφαλής του λέιζερ.

1. Σημειώστε ένα "X" σε ένα άχρηστο κομμάτι ξύλο.
2. Βάλτε ένα μικρό τρυπάνι στο τσοκ και ευθυγραμμίστε την άκρη του με την τομή των γραμμών στο σημείο "X".
3. Ασφαλίστε το κομμάτι στο τραπέζι.
4. Θέστε σε λειτουργία τον οδηγό λέιζερ και επιβεβαιώστε ότι οι γραμμές λέιζερ είναι ευθυγραμμισμένες με το σημείο "X" στο τεμάχιο εργασίας.
5. Εάν οι γραμμές λέιζερ δεν είναι ευθυγραμμισμένες, χαλαρώστε τις βίδες ρύθμισης και γυρίστε τα κουμπιά ρύθμισης του λέιζερ μέχρι να συναντηθούν οι γραμμές στο σημείο "X". Σφίξτε ξανά τις βίδες ρύθμισης.

ΛΕΙΤΟΥΡΓΙΑ

⚠ ΠΡΟΕΙΔΟΠΟΙΗΣΗ

Καθώς θα εξοικειώνεστε με τα εργαλεία, διατηρείτε την προσοχή σας. Μην ξεχνάτε ποτέ πως ένα δευτερόλεπτο απροσεξίας αρκεί για να τραυματιστείτε σοβαρά.

⚠ ΠΡΟΕΙΔΟΠΟΙΗΣΗ

Φοράτε πάντα προστατευτικά ματιών ή γυαλιά με πλαϊνές ασπίδες ενώ χρησιμοποιείτε εργαλεία. Η μη τήρηση της σύστασης αυτής μπορεί να προκαλέσει την προβολή ξένων σωματίων στα μάτια σας επιφέροντας σοβαρές οφθαλμικές βλάβες.

⚠ ΠΡΟΕΙΔΟΠΟΙΗΣΗ

Μην χρησιμοποιείτε άλλα ανταλλακτικά ή εξαρτήματα εκτός από αυτά που συνιστά ο κατασκευαστής για το εργαλείο αυτό. Η χρήση μη συνιστώμενων ανταλλακτικών ή εξαρτημάτων μπορεί να επιφέρει κίνδυνο σοβαρού τραυματισμού.

⚠ ΠΡΟΕΙΔΟΠΟΙΗΣΗ

Προς αποφυγή τραυματισμών, διατηρείτε τον προφυλακτήρα κλειστό και στη θέση του όσο το μηχάνημα βρίσκεται σε λειτουργία.

ΑΛΛΑΓΗ ΤΑΧΥΤΗΤΩΝ ΚΑΙ ΤΟΠΟΘΕΤΗΣΗ ΙΜΑΝΤΑ

Βλ. Σχήμα 24.

Η ταχύτητα του άξονα εξαρτάται από την θέση του ιμάντα στις τροχαλίες που βρίσκονται εντός της κεφαλής. Το διάγραμμα ταχυτήτων που βρίσκεται στο κάλυμμα εντός της κεφαλής δείχνει τις συνιστώμενες ταχύτητες και τις ρυθμίσεις της τροχαλίας για κάθε εργασία.

Για να αλλάξετε τις ρυθμίσεις της τροχαλίας:

1. Σηκώστε το κάλυμμα της τροχαλίας
2. Χαλαρώστε το μπουλόνι τεντώματος.
3. Βγάλτε τον ιμάντα.
4. Ξανατοποθετήστε τον ιμάντα σύμφωνα με το διάγραμμα ταχυτήτων.
5. Ξανασφίξτε το μπουλόνι τεντώματος.

ΣΗΜΕΙΩΣΗ Ανατρέξτε στην ενότητα " Συνιστώμενες ταχύτητες διάτρησης" για να δείτε τα μεγέθη των τρυπανιών και τις συνιστώμενες ταχύτητες για κάθε εργασία.

ΣΥΝΙΣΤΩΜΕΝΗ ΤΑΧΥΤΗΤΑ ΔΙΑΤΡΗΣΗΣ

Διάμετρος τρυπανιού (Ίντσες)	ΠΙΝΑΚΑΣ ΤΑΧΥΤΗΤΩΝ ΔΙΑΤΡΗΣΗΣ (RPM-ΣΤΡΟΦΕΣ/ΛΕΠΤΟ)		
	Ξύλο Πλαστικά	Αλουμίνιο Ψευδάργυρος Χαλκός	Σίδερο Χάλυβας
1/16	2430	2430	2430
1/8			1800
3/16			1300
1/4	1800	1800	800
5/16			
3/8	1800	800	510
1/2			

Διακόπτης ενεργοποίησης/απενεργοποίησης (on/off)

Βλ. Σχήμα 25.

Για να ενεργοποιήσετε το εργαλείο:

1. Πατήστε το κουμπί ON (I).

Για να απενεργοποιήσετε το εργαλείο:

1. Πατήστε το κουμπί OFF (O).

⚠ ΠΡΟΕΙΔΟΠΟΙΗΣΗ

Πάντα να βεβαιώνεστε ότι το τεμάχιο εργασίας δεν βρίσκεται σε επαφή με το τρυπάνι πριν ανοίξετε το διακόπτη λειτουργίας του μηχανήματος. Αν δεν τηρηθεί αυτή η προειδοποίηση, μπορεί να προκληθεί επιστροφή του τεμαχίου εργασίας προς τον χειριστή, οδηγώντας σε σοβαρό τραυματισμό.

ΕΓΚΑΤΑΣΤΑΣΗ ΚΑΙ ΑΦΑΙΡΕΣΗ ΤΡΥΠΑΝΙΩΝ

Βλ. Σχήμα 26.

1. Βγάλτε το μηχανήμα από την πρίζα.
2. Ανοίξτε ή κλείστε τα σαγόνια σοοκ σε σημείο όπου το άνοιγμα να είναι ελαφρώς μεγαλύτερο από το μέγεθος του κοπτικού που θέλετε να χρησιμοποιήσετε.
3. Εισάγετε το τρυπάνι στο σοοκ, σε όλο το μήκος των σφιγκτήρων.

⚠ ΠΡΟΕΙΔΟΠΟΙΗΣΗ

Μην εισάγετε το τρυπάνι στους σφιγκτήρες και σφίξτε όπως φαίνεται στο Σχήμα 19. Σε αντίθετη περίπτωση, το τρυπάνι μπορεί να πεταχτεί από το μηχανήμα και να προκαλέσει σοβαρό τραυματισμό ή ζημιά στο σοοκ.

4. Σφίξτε καλά τους σφιγκτήρες του σοοκ με το παρεχόμενο κλειδί σοοκ. Μην χρησιμοποιείτε κλειδί για να σφίξετε ή ξεσφίξετε τα σαγόνια του σοοκ.
5. Βγάλτε το κλειδί του σοοκ.
6. Για να βγάλετε το τρυπάνι, εκτελέστε τα παραπάνω βήματα αντίστροφα.

⚠ ΠΡΟΕΙΔΟΠΟΙΗΣΗ

Προς αποφυγή τραυματισμών ή ατυχημάτων από τυχόν εκτίναξη του κλειδιού από το σοοκ ενώ ο διακόπτης "ON" είναι ανοιχτός, χρησιμοποιείτε μόνο το χειροκίνητα αφαιρούμενο κλειδί που παρέχεται με το παρόν κολονάτο δράπανο. Επαναλαμβάνετε πάντα τον έλεγχο και βγάζετε το κλειδί του σοοκ πριν θέσετε στη θέση "ON". Τοποθετείτε το κλειδί του σοοκ στη βάση του όταν δεν το χρησιμοποιείτε.

ΔΙΑΤΗΣΗ ΣΕ ΣΥΓΚΕΚΡΙΜΕΝΟ ΒΑΘΟΣ

Διάτρηση τυφλής οπής (όχι σε όλο το βάθος του τεμαχίου εργασίας) μέχρι ένα συγκεκριμένο βάθος μπορεί να γίνει με δυο τρόπους:

Μέθοδος τεμαχίου εργασίας

Βλ. Σχήμα 27.

1. Σημειώστε το βάθος της οπής στο πάχος του τεμαχίου εργασίας
2. Με τον διακόπτη στη θέση "OFF", φέρτε το τρυπάνι του δράπανου προς τα κάτω μέχρι η άκρη του να είναι στο ίδιο ύψος με το σημάδι.
3. Κρατήστε τη λαβή τροφοδοσίας στη θέση αυτή.
4. Περιστρέψτε το κάτω παξιμάδι ώστε να έρθει σε

επαφή με το παξιμάδι ρύθμισης βάθους στην κεφαλή.

5. Περιστρέψτε το πάνω παξιμάδι και σφίξτε πάνω στο κάτω παξιμάδι.
6. Τώρα το τρυπάνι θα σταματήσει αφού διανύσει την απόσταση που έχει σημειωθεί στο τεμάχιο εργασίας.

Μέθοδος κλίμακας βάθους

Βλ. Σχήμα 28.

ΣΗΜΕΙΩΣΗ Με το σοοκ στην ψηλότερη θέση και η μύτη του τρυπανιού θα πρέπει να βρίσκεται ελαφρώς πάνω από το πάνω μέρος του τεμαχίου εργασίας.

1. Με το διακόπτη στη θέση "OFF", στρέψτε τη λαβή τροφοδοσίας μέχρι ο δείκτης να δείξει το επιθυμητό βάθος στην κλίμακα βάθους και κρατήστε τη λαβή τροφοδοσίας σε αυτή τη θέση.
2. Περιστρέψτε το κάτω παξιμάδι ώστε να έρθει σε επαφή με το παξιμάδι ρύθμισης βάθους.
3. Περιστρέψτε το πάνω παξιμάδι στο κάτω παξιμάδι ρύθμισης βάθους και σφίξτε.
4. Το τρυπάνι θα σταματήσει αφού διανύσει την απόσταση που επιλέχθηκε στην κλίμακα βάθους.

Διάτρηση οπής

1. Με τη βοήθεια μιας πόντας ή ενός μυτερού καρφιού σημάδεψτε στο τεμάχιο εργασίας το σημείο που θέλετε να τρυπήσετε.
2. Θέστε σε λειτουργία τον οδηγό λέιζερ και ευθυγραμμίστε τις γραμμές λέιζερ με το σημάδι.
3. Ανοίξτε το διακόπτη λειτουργίας και τραβήξτε προς τα κάτω τις λαβές τροφοδοσίας τόσο όσο χρειάζεται ώστε να μπορεί το δράπανο να τρυπήσει.

Τυχόν πολύ γρήγορη τροφοδοσία μπορεί να προκαλέσει ολίσθηση του μάντα ή του δράπανου, χαλάρωση του τεμαχίου εργασίας ή σπάσιμο του τρυπανιού.

Όταν τρυπάτε μέταλλο, είναι απαραίτητο να λιπάνετε την άκρη του τρυπανιού του δράπανου με λάδι για διάτρηση μετάλλου προκειμένου να αποφευχθεί η υπερθέρμανση.

ΓΙΑ ΤΗΝ ΠΡΟΣΤΑΣΙΑ ΣΑΣ**⚠ ΠΡΟΕΙΔΟΠΟΙΗΣΗ**

Για να να μην σας εγκλωβίσει το μηχανήμα, αποφεύγετε να φοράτε φαριδιά ρούχα, γάντια, γραβάτες ή κοσμήματα. Εάν έχετε μακριά μαλλιά, πάντα να τα δένετε πίσω.

1. Εάν κάποιο κομμάτι από το μηχανήμα σας απουσιάζει, δεν λειτουργεί σωστά, παρουσιάζει ζημιά ή βλάβη, σταματήστε τη λειτουργία του μηχανήματος αμέσως και μέχρι να αποκατασταθεί η ζημιά ή να γίνει αντικατάσταση.
2. Ποτέ μη βάζετε τα δάχτυλά σας σε σημεία όπου μπορεί να έρθουν σε επαφή με το τρυπάνι ή άλλο εργαλείο κοπής. Το τεμάχιο εργασίας μπορεί να μετακινηθεί ξαφνικά ή το χέρι σας να γλιστρήσει.
3. Για να μην σας φύγει το τεμάχιο εργασίας από το χέρι, ή να περιστραφεί ή να σπάσει από το μηχανήμα, στερεώνετε το πάντα ως εξής:
 - Πάντοτε να τοποθετείτε υλικό υποστήριξης

(κάτω από το τεμάχιο εργασίας) έτσι ώστε αυτό να έρχεται σε επαφή με την αριστερή μεριά της κολόνας.

- Όποτε αυτό είναι δυνατόν, τοποθετείτε το τεμάχιο εργασίας έτσι ώστε να είναι σε επαφή με την αριστερή μεριά της κολόνας. Εάν το τεμάχιο είναι πολύ κοντά ή το τραπέζι έχει κλίση, στερεώστε το γερά στο τραπέζι με σφιγκτήρες χρησιμοποιώντας τις εγκοπές του τραπεζιού.
 - Όταν χρησιμοποιείτε μέγγνη κολονάου δράπανου (δεν περιέχεται), να τη στερεώνετε πάντα στο τραπέζι.
 - Ποτέ μην εργάζεστε κρατώντας το τεμάχιο εργασίας με το χέρι και χωρίς να το στερεώνετε στο τραπέζι, εκτός απ' όταν κάνετε γυάλισμα ή τρίψιμο.
 - Πριν θέσετε σε λειτουργία το μηχάνημα, κλειδώστε την κεφαλή και το στήριγμα στην κολόνα, το βραχίονα του τραπεζιού στο στήριγμα και το τραπέζι στο βραχίονά του.
 - Ποτέ μην κινείτε την κεφαλή ή το τραπέζι ενόσω το μηχάνημα βρίσκεται σε λειτουργία.
 - Πριν ξεκινήσετε οποιαδήποτε εργασία, κουνήστε λίγο το διακόπτη του μοτέρ ώστε να βεβαιωθείτε ότι το δράπανο ή άλλο εργαλείο κοπής δεν ταλαντώνεται ή δεν προκαλεί δόνηση.
 - Εάν το τεμάχιο εργασίας είναι μεγαλύτερο από το τραπέζι τόσο ώστε να κινδυνεύει να πέσει ή να ανατραπεί αν δεν υποστηρίζεται, ασφαλίστε το στο τραπέζι ή βάλτε επιπλέον στήριξη.
 - Χρησιμοποιήστε στήριγμα για μη συνθησιμένες λειτουργίες για τη συγκράτηση, καθοδήγηση και τοποθέτηση του τεμαχίου λειτουργίας.
 - Χρησιμοποιήστε την ταχύτητα άξονα που συστήνεται για τη συγκεκριμένη λειτουργία και το συγκεκριμένο υλικό εργασίας. Ελέγξτε τον πίνακα που βρίσκεται στην εσωτερική πλευρά του καλύμματος της τροχαλίας ή ανατρέξτε στις " Συνιστώμενες Ταχύτητες Διάτρησης" για να ενημερωθείτε για τις ταχύτητες διάτρησης. Για εξαρτήματα, ανατρέξτε τις οδηγίες που τα συνοδεύουν.
4. Ποτέ μην ανεβαίνετε στο τραπέζι του δράπανου. Μπορεί να σπάσει και να πέσει το μηχάνημα πάνω σας.
 5. Βάλτε το διακόπτη λειτουργίας στο "OFF" όταν εγκαταλείψετε το μηχάνημα.
 6. Προς αποφυγή τραυματισμών από εκπινασόμενα κομμάτια ή επαφή με εργαλεία, μην πραγματοποιείτε διαμόρφωση, συναρμολόγηση ή εγκατάσταση πάνω στο τραπέζι ενώ το εργαλείο κοπής περιστρέφεται.

ΤΟΠΟΘΕΤΗΣΗ ΤΟΥ ΤΡΑΠΕΖΙΟΥ ΚΑΙ ΤΟΥ ΤΕΜΑΧΙΟΥ ΕΡΓΑΣΙΑΣ

Βλ. Σχήμα 29-30.

1. Κλειδώστε το τραπέζι πάνω στην κολόνα σε μια θέση όπου η άκρη του τρυπανιού να είναι ακριβώς πάνω από το τεμάχιο εργασίας.
2. Πάντα να τοποθετείτε υλικό υποστήριξης (ένα άχρηστο κομμάτι ξύλο) στο τραπέζι κάτω από το τεμάχιο εργασίας. Αυτό θα προλάβει τυχόν

θρυμματισμό ή σοβαρό γδάρισμα στην κάτω μεριά του τεμαχίου εργασίας. Για να μην περιστρέφεται το κομμάτι υποστήριξης, πρέπει να τοποθετείται σε επαφή με την αριστερή μεριά της κολόνας.

3. Χρησιμοποιήστε κατάλληλα μέσα στήριξης για τεμάχιο εργασίας που προεξέχει.

▲ ΠΡΟΕΙΔΟΠΟΙΗΣΗ

Για να αποφευχθεί εκτίναξη του τεμαχίου εργασίας του υλικού υποστήριξης κατά τη διάρκεια της διάτρησης, ΠΡΕΠΕΙ να τοποθετείτε το τεμάχιο εργασίας σε επαφή με την αριστερή μεριά της κολόνας. Εάν το τεμάχιο εργασίας ή το υλικό υποστήριξης δεν είναι αρκετά μακριά για να φτάσουν στην κολόνα, στερεώστε τα στο τραπέζι έτσι ώστε να στηριχθεί το τεμάχιο εργασίας. Τυχόν παράλειψη στερέωσης του τεμαχίου εργασίας μπορεί να καταλήξει σε τραυματισμό.

▲ ΠΡΟΕΙΔΟΠΟΙΗΣΗ

Μια μέγγνη τρυπανιού πρέπει να στερεώνεται ή να βιδώνεται στο τραπέζι έτσι ώστε να αποφευχθεί τραυματισμός εξαιτίας περιστρεφόμενου τεμαχίου εργασίας ή ελαττωματικής μέγγνης ή κομματιών τρυπανιού.

ΚΡΑΤΩΝΤΑΣ ΤΟ ΣΗΜΕΙΟ ΔΙΑΤΡΗΣΗΣ

1. Με τη βοήθεια μιας πόντας ή ενός μυτερού καρφιού σημαδέψτε στο τεμάχιο εργασίας το σημείο που θέλετε να τρυπήσετε.
2. Θέστε σε λειτουργία τον οδηγό λείζερ και ευθυγραμμίστε τις γραμμές λείζερ (x) με το σημείο πριν θέσετε σε λειτουργία το δράπανο (ON).

ΚΛΙΣΗ ΤΟΥ ΤΡΑΠΕΖΙΟΥ

Βλ. Σχήμα 31.

ΣΗΜΕΙΩΣΗ Το στήριγμα του τραπεζιού φέρει μια οπή με άγκιστρο ασφάλισης έτσι ώστε το τραπέζι να κλειδώνεται σε γωνία λοξοτομής 0°.

1. Σφίξτε το παζιμάδι στο άγκιστρο ασφάλισης με τη βοήθεια κλειδιού 10 χιλ. ή ρυθμιζόμενο, στρέφοντας δεξιόστροφα για να απελευθερώσετε το άγκιστρο από τη βάση του τραπεζιού. Το άγκιστρο αυτό θα χρειαστεί όταν επαναφέρετε το τραπέζι σε γωνία 0 μοιρών με το στήριγμά του.
2. Χαλαρώστε το μεγάλο εξαγωνικό μπουλόνι της λοξοτομής του τραπεζιού με κλειδί 17 χιλ. ή ρυθμιζόμενο.

▲ ΠΡΟΕΙΔΟΠΟΙΗΣΗ

Προς αποφυγή τραυματισμών, φροντίστε να κρατάτε το τραπέζι και το βραχίονα του τραπεζιού έτσι ώστε να μην γέρνει ή περιστρέφεται.

3. Γείρετε το τραπέζι, ευθυγραμμίζοντας την επιθυμητή γωνία με τη μηδενική γραμμή απέναντι από την κλίμακα.
4. Σφίξτε το μπουλόνι ασφάλισης λοξοτομής τραπεζιού

5. Για να επαναφέρετε το τραπέζι στην αρχική του θέση, χαλαρώστε το μπουλόνι ασφάλισης της λοξοτομής του τραπέζιου. Επαναφέρετε το τραπέζι στη θέση 0°.
6. Επαναφέρετε το παξιμάδι στο άγκιστρο ασφάλισης στο εξωτερικό άκρο των αυλακώσεων. Χτυπήστε μαλακά το άγκιστρο ασφάλισης μέχρι να τοποθετηθεί στην αντίστοιχη του τρύπα στο βραχίονα του τραπέζιου. Σφίξτε το παξιμάδι με το χέρι.

⚠ ΠΡΟΕΙΔΟΠΟΙΗΣΗ

Προς αποφυγή τραυματισμών από περιστρεφόμενα τεμάχια ή σπάσιμο εργαλείου, στερεώνετε πάντα καλά το τεμάχιο εργασίας και το υλικό υποστήριξης στο τραπέζι πριν θέσετε σε λειτουργία το κολονάτο δράπανο.

ΤΡΟΦΟΔΟΣΙΑ

1. Τραβήξτε προς τα κάτω τις λαβές τροφοδοσίας τόσο όσο χρειάζεται ώστε να μπορεί το δράπανο να τρυπήσει.
2. Η πολύ αργή τροφοδοσία μπορεί να κάνει προκαλέσει κάψιμο του τρυπανιού. Τυχόν πολύ γρήγορη τροφοδοσία μπορεί να προκαλέσει ολίσθηση του ιμάντα ή του δράπανου, χαλάρωση του τεμαχίου εργασίας ή σπάσιμο του τρυπανιού.
3. Όταν τρυπάτε μέταλλο, είναι απαραίτητο να λιπαίνετε την άκρη του τρυπανιού με ειδικό λάδι ώστε να μην καεί το τεμάχιο εργασίας και το τρυπάνι.

ΣΥΝΤΗΡΗΣΗ

⚠ ΠΡΟΕΙΔΟΠΟΙΗΣΗ

Για την ασφάλειά σας, θέστε το διακόπτη στο OFF και βγάλτε την πρίζα πριν τη συντήρηση ή τη λίπανση του κολονάτου δράπανού σας.

Φροντίστε να φυσάτε συχνά με συμπιεστή αέρα ή ηλεκτρική σκούπα τυχόν πριονίδια ή υπολείμματα μετάλλου που συγκεντρώνονται μέσα στο μοτέρ, το περιβλήμα της τροχαλίας, το τραπέζι και την επιφάνεια εργασίας. Να φοράτε πάντα γυαλιά ασφαλείας κατά τη λειτουργία του εργαλείου.

⚠ ΠΡΟΕΙΔΟΠΟΙΗΣΗ

Προς αποφυγή ηλεκτροπληξίας ή πυρκαγιάς, τυχόν φθαρμένο ή κομμένο καλώδιο τροφοδοσίας θα πρέπει να αντικατασταθεί άμεσα από ειδικό ηλεκτρολόγο ή τεχνικό.

ΛΙΠΑΝΣΗ

Όλα τα ένσφαιρα ρουλεμάν του κολονάτου δράπανου έχουν συσκευαστεί με γράσο στο εργοστάσιο. Δεν απαιτούν άλλη λίπανση.

Λιπαίνετε τακτικά τον μειωτήρα, τον ρυθμιστή ύψους, το μηχανισμό ανύψωσης του τραπέζιου, τις αυλακώσεις του άξονα και τα δόντια του καλύμματος άξονα.

Χαμηλώστε τον άξονα και λιπάνετε με προσοχή το σωλήνα του άξονα κάθε 3 μήνες .

ΜΕΤΑΦΟΡΑ ΚΑΙ ΑΠΟΘΗΚΕΥΣΗ

Βλ. Σχήμα 32.

Κατά τη μεταφορά του προϊόντος, αποσυνδέστε το καλώδιο ρεύματος, και βεβαιωθείτε ότι όλα τα μέρη είναι καλά στερεωμένα. Ανατρέξτε στην Εικ. 32 για τα σημεία πιασίματος για την ανύψωση του προϊόντος.

Αποθηκεύστε το προϊόν σε ένα ασφαλές μέρος που δεν είναι προσίτο στα παιδιά.

Καθαρίστε το προϊόν με μια βούρτσα και ηλεκτρική σκούπα πριν από την αποθήκευση.

ΠΣΥΜΒΟΛΟ



Προειδοποίηση ασφαλείας



Ευρωπαϊκό σήμα συμμόρφωσης



Βρετανικό σήμα συμμόρφωσης



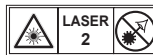
Ουκρανικό σήμα συμμόρφωσης



EurAsian σήμα πιστότητας



Παρακαλούμε διαβάστε προσεκτικά τις οδηγίες πριν χρησιμοποιήσετε το προϊόν.



Ακτινοβολία λέιζερ.
Μην κοιτάζετε απευθείας στην ακτίνα.
Προϊόν λέιζερ κλάσης 2



Να μην εκτίθεται σε βροχή και να μην χρησιμοποιείται σε τοποθεσίες με υγρασία.



Φοράτε προστατευτικά αυτιών



Φοράτε πάντα προστατευτικά ματιών.



Δυναμικό τσοκ



Διαδρομή άξονα



Ευθυγράμμιση διάτρησης



Διάμετρος μύτης τρυπανιού
(Ιντσες)



Ξύλο



Αλουμίνιο
Ψευδάργυρος
Ορείχαλκος



Σίδηρο
Ατσάλι



Ο ηλεκτρονικός και ηλεκτρικός εξοπλισμός δεν πρέπει να απορρίπτονται στα αδιαχώριστα απορρίμματα της κοινότητας. Ο ηλεκτρονικός και ηλεκτρικός εξοπλισμός προς απόρριψη θα πρέπει να συλλέγονται χωριστά. Οι πηγές φωτός προς απόρριψη θα πρέπει να αφαιρούνται από τον εξοπλισμό. Επικοινωνήστε με την τοπική σας αρχή ή τον προμηθευτή σας για συμβουλές ανακύκλωσης και σημείο συλλογής. Σύμφωνα με τους τοπικούς κανονισμούς, οι προμηθευτές ενδέχεται να υποχρεούνται να παραλαμβάνουν τα απόβλητα ηλεκτρικού και ηλεκτρονικού εξοπλισμού χωρίς χρέωση. Η συμβολή σας στην επαναχρησιμοποίηση και την ανακύκλωση ηλεκτρονικού και ηλεκτρικού εξοπλισμού προς απόρριψη βοηθά στη μείωση της ζήτησης πρώτων υλών. Ο άχρηστος ηλεκτρονικός και ηλεκτρικός εξοπλισμός περιέχει πολύτιμα ανακυκλώσιμα υλικά, τα οποία μπορεί να βλάψουν τόσο το περιβάλλον, όσο και την ανθρώπινη υγεία, εάν δεν απορρίπτονται με τρόπο φιλικό προς το περιβάλλον. Διαγράψτε τυχόν προσωπικά δεδομένα από τον εξοπλισμό.



ΑΝΤΙΜΕΤΩΠΙΣΗ ΠΡΟΒΛΗΜΑΤΩΝ

Προβλημα	Πιθανή αιτία	Λύση
Θόρυβος λειτουργίας.	<ol style="list-style-type: none"> 1. Λάθος τεντώματος ιμάντα. 2. Ο άξονας είναι στεγνός. 3. Η τροχαλία του άξονα είναι χαλαρή. 4. Η τροχαλία του μοτέρ είναι χαλαρή. 	<ol style="list-style-type: none"> 1. Ρυθμίστε το τέντωμα. Βλ. ενότητα "Τέντωμα ιμάντα". 2. Λιπάνετε τον άξονα. Βλ. ενότητα "Λίπανση". 3. Ελέγξτε πόσο σφιγμένο είναι το παξιμάδι συγκράτησης στην τροχαλία και σφίξτε εάν χρειάζεται. 4. Σφίξτε τη βίδα ρύθμισης στην τροχαλία του μοτέρ.
Το τρυπάνι του δράπανου είναι καυτό.	<ol style="list-style-type: none"> 1. Λάθος ταχύτητα. 2. Τα υπολείμματα δεν βγαίνουν από την τρύπα. 3. Το τρυπάνι δεν είναι ακονισμένο. 4. Η τροφοδοσία είναι πολύ αργή. 5. Δεν έχει γίνει λίπανση. 	<ol style="list-style-type: none"> 1. Αλλάξτε ταχύτητα. Βλ. την ενότητα "Αλλαγή ταχύτητας και αντικατάσταση ιμάντα". 2. Καθαρίζετε το δράπανο συχνά από υπολείμματα. 3. Ακονίστε ή αντικαταστήστε το τρυπάνι. 4. Τροφοδοτήστε γρήγορα - αφήστε το δράπανο να κόψει. 5. Λιπάνετε το δράπανο. Βλ. την ενότητα "Τροφοδοσία".
Εκτροπή του άκρου του τρυπανιού - μη στρογγυλή τρύπα .	<ol style="list-style-type: none"> 1. Σκληροί κόκκοι στο ξύλο ή το μήκος των διαδρομών κοπής και/ή οι γωνίες δεν είναι ίσες. 2. Το τρυπάνι είναι στραβό. 	<ol style="list-style-type: none"> 1. Ακονίστε σωστά το τρυπάνι. 2. Αντικαταστήστε το τρυπάνι.
Σκλήθρες ξύλου στην κάτω μεριά.	<ol style="list-style-type: none"> 1. Δεν υπάρχει τεμάχιο υποστήριξης κάτω από το τεμάχιο εργασίας. 	<ol style="list-style-type: none"> 1. Χρησιμοποιήστε υλικό υποστήριξης. Βλ. ενότητα "Λειτουργία".
Σκίσιμο τεμαχίου εργασίας.	<ol style="list-style-type: none"> 1. Το τεμάχιο εργασίας δεν υποστηρίζεται ή δεν έχει στερεωθεί σωστά. 	<ol style="list-style-type: none"> 1. Στερεώστε ή ασφαλίστε το τεμάχιο εργασίας με σφιγκτήρες. Βλ. ενότητα "Λειτουργία".
Το τρυπάνι κολλάει μέσα στο τεμάχιο εργασίας.	<ol style="list-style-type: none"> 1. Το τεμάχιο εργασίας ζουλάει το τρυπάνι ή ασκείται υπερβολική πίεση τροφοδοσίας. 2. Λάθος τέντωμα ιμάντα. 	<ol style="list-style-type: none"> 1. Στερεώστε ή ασφαλίστε το τεμάχιο εργασίας με σφιγκτήρες. Βλ. ενότητα "Λειτουργία". 2. Ρυθμίστε το τέντωμα. Βλ. ενότητα "Τέντωμα ιμάντα".
Υπερβολική εκτροπή ή ταλάντωση τρυπανιού.	<ol style="list-style-type: none"> 1. Το τρυπάνι είναι στραβό. 2. Τα ρουλεμάν είναι φθαρμένα. 3. Το τρυπάνι δεν έχει τοποθετηθεί σωστά στο τσοκ. 4. Το τσοκ δεν έχει εγκατασταθεί σωστά. 	<ol style="list-style-type: none"> 1. Χρησιμοποιήστε ένα ίσιο τρυπάνι. 2. Αντικαταστήστε τα έδρανα. 3. Εγκαταστήστε σωστά το δράπανο. Βλ. την ενότητα "Λειτουργία" και "Συναρμολόγηση και Ρυθμίσεις". 4. Εγκαταστήστε σωστά το τσοκ. Βλ. την ενότητα "Εγκατάσταση του τσοκ".
Το κάλυμμα επιστρέφει πολύ αργά ή πολύ γρήγορα.	<ol style="list-style-type: none"> 1. Το ελικοειδές ελατήριο δεν είναι σωστά τεντωμένο. 	<ol style="list-style-type: none"> 1. Ρυθμίστε το τέντωμα του ελατηρίου. Βλ. ενότητα "Ελατήριο επιστροφής καλύμματος".
Το τσοκ δεν μένει συνδεδεμένο με τον άξονα. Πέφτει κατά την αντικατάσταση.	<ol style="list-style-type: none"> 1. Υπάρχουν ρύποι, γράσα ή λάδια στην εσωτερική κωνική επιφάνεια του τσοκ ή στην κωνική επιφάνεια του άξονα. 	<ol style="list-style-type: none"> 1. Χρησιμοποιήστε μη αλκοολούχο καθαριστικό, καθαρίστε την κωνική επιφάνεια του τσοκ και του άξονα για να αφαιρέσετε τυχόν ρύπους, γράσα και λάδια. Βλ. την ενότητα "Εγκατάσταση του τσοκ".



English	Français	Deutsch	Español	Italiano	Nederlands	Português
Product specifications	Caractéristiques de l'appareil	Produkt-Spezifikationen	Especificaciones del producto	Specifiche prodotto	Productspecificaties	Especificações do produto
Drill press	Perceuse à colonne	Tischbohrmaschine	Prensa taladradora	Trapano a colonna	Kolomboormachine	Berbequim de coluna
Model	Modèle	Modell	Modelo	Modello	Model	Modelo
Net weight	Poids net	Nettogewicht	Peso neto	Peso netto	Netto gewicht	Peso líquido
Chuck size	Taille de mandrin	Futtergröße	Tamaño del portabrocas	Dimensioni mandrino	Boorkopgrootte	Tamanho da bucha
Speed (rpm)	Vitesse (tr/min)	Geschwindigkeit (rpm)	Velocidad (rpm)	Velocità (g/min)	Snelheid (rpm)	Velocidade (r.p.m.)
Motor	Moteur	Motor	Motor	Motore	Motor	Motor
Horsepower	Puissance	Pferdestärke	Potencia	Potenza	Paardenkracht	Potência (hp)
Table size	Dimensions de la table	Tischgröße	Dimensiones de la mesa	Dimensioni tavolo	Tafelafmeting	Dimensões da bancada
Table tilt (right)	Inclinaison de la table (droite)	Tischkipfung (rechts)	Inclinación de la mesa (derecha)	Inclinazione tavolo (a destra)	Tafelkanteling (rechts)	Inclinação da mesa (direita)
Table tilt (left)	Inclinaison de la table (gauche)	Tischkipfung (links)	Inclinación de la mesa (izquierda)	Inclinazione tavolo (a sinistra)	Tafelkanteling (links)	Inclinação da mesa (esquerda)
Spindle travel	Course de broche	Spindelweg	Recorrido del eje	Corsa alberino	Spindelbeweging	Curso do mandril
Throat	Col	Auskragung	Entrada	Gola	Trechter	Garganta
Laser safety class	Classe de sécurité du laser	Laser Sicherheitsklasse	Tipo de seguridad láser	Classe di sicurezza laser	Laserveiligheidsklasse	Classe de segurança Laser
Maximum size of workpiece	Taille maximale de la pièce à usiner	Maximale Größe des Werkstücks	Tamaño máximo de la pieza	Dimensioni massime del pezzo da lavorare	Maximale afmetingen van het werkstuk	Tamanho máximo da peça de trabalho
Measured values determined according to EN62841 A-weighted sound pressure level	Valeurs mesurées obtenues selon EN 62841 Niveau de pression sonore pondéré-A	Gemäß EN62841 gemessene Werte A-bewerteter Schalldruckpegel	Valores medidos determinados de acuerdo con EN62841 Nivel de presión acústica ponderada en A	Valori misurati determinati in accordo con lo standard EN62841 Livello di pressione sonora pesato A	Gemeten waarden bepaald volgens EN62841 A-gewogen geluidsrukniveau	Valores medidos calculados de acordo com EN62841 Nivel de pressão sonora ponderada A
Uncertainty K	Incertitude K	Unsicherheit K	Incertidumbre K	Incertezza K	Onzekerheid K	Incerteza K
Measured values determined according to EN62841 A-weighted sound power level	Valeurs mesurées obtenues selon EN62841 Niveau de puissance sonore pondéré-A	Gemäß EN62841 gemessene Werte A-bewerteter Schallleistungspegel	Valores medidos determinados de acuerdo con EN62841 Nivel de potencia acústica ponderada en A	Valori misurati determinati in accordo con lo standard EN62841 Livello di potenza sonora pesato A	Gemeten waarden bepaald volgens EN62841 A-gewogen geluidsniveau	Valores medidos calculados de acordo com EN62841 Nivel de potência sonora ponderada A
Uncertainty K	Incertitude K	Unsicherheit K	Incertidumbre K	Incertezza K	Onzekerheid K	Incerteza K
Replacement parts	Pièces de rechange	Ersatzteile	Piezas de repuesto	Ricambi	Vervangende onderdelen	Peças sobresselentes
Driven belt	Courroie d'entraînement	Treibriemen	Correo de transmisión	Trasmisssione a cinghia	Aandrijfriem	Correia de transmissão
Chuck	Mandrin	Bohrfutter	Mandril de sujeción	Mandrino	Boorhouder	Mandril

Dansk	Svenska	Suomi	Norsk	Русский	Polski	
Produktspecifikationer	Produktspecifikationer	Tuotteen tekniset tiedot	Produktspecificasjoner	Характеристики изделия	Parametry techniczne	
Søjleboremaskine	Pelarbormaskin	Pylväsporakone	Stativboremaskin	Вертикально-сверлильный станок	Wiertarka pionowa	
Model	Modell	Malli	Modell	Модель	Model	RDP102L
Nettovægt	Nettovikt	Kokonaispaino	Nettovekt	Вес нетто	Masa netto	21,2 kg
Patronstørrelse	Chuckstorlek	Istukkakoko	Chuckstørrelse	Диаметр патрона	Rozmiar uchwyłu	13 mm
Hastighed (rpm)	Hastighet (varv/min)	Kierrosnopeus (rpm)	Hastighet (o/min)	Частота вращения (об./мин.)	Prędkość (obr./min)	5 (510-2430)
Motor	Motor	Moottori	Motor	Двигатель	Silnik	230-240 V, 50Hz
Hestekræfter	Hästkrafter	Teho	Hestekrefter	Лошадиные силы	Moc (KM)	390 W
Bordstørrelse	Bordsstorlek	Pöydän koko	Bordstørrelse	Размер стола	Wymiary stołu	195 mm x 165 mm
Bordhældning (højre)	Bordlutning (höger)	Pöydän kallistus (oikealle)	Bordskråstilling (høyre)	Наклон стола (справа)	Przechył stołu (w prawo)	45°
Bordhældning (venstre)	Bordlutning (vänster)	Pöydän kallistus (vasemmalle)	Bordskråstilling (venstre)	Наклон стола (слева)	Przechył stołu (w lewo)	45°
Spindelvanding	Spindelförflytning	Karan väli	Spindelbevegelse	Ход шпинделя	Skok wrzeciona	50 mm
Kammer	Spånrøm	Hammasväli	Hals	Вылет	Odległość oś wiertakolumna	127 mm
Lasersikkerhedsklasse	Säkerhetsklassad laser	Laserin turvallisuusluokitus	Laser sikkerhetsklasse	Класс соответствия лазерной безопасности	Klasa bezpieczeństwa lasera	2
Maksimal størrelse for arbejdsstykke	Maximal storlek på arbetsstycke	Työkappaleen enimmäiskoko	Maksimal størrelse på arbeidsstykke	Максимальный размер обрабатываемого изделия	Maksymalna wielkość elementu obrabianego	250 mm x 250 mm
Målte værdier bestemmes i henhold til EN62841 A-vægtet lydtrykniveau	Värden uppmätta enligt EN62841 A-vägd ljudtrycksnivå	Mitatut arvot määritetty EN62841 -standardin mukaan A-painotettu äänenpainetaso	Målte verdier i samsvar med EN62841 A-vektet lydtryknivå	Измеренные значения определены в соответствии с EN62841 Уровень A-взвешенного звукового давления	Zmierzone wartości określone wg EN62841 A-ważony poziom ciśnienia hałasu	$L_{pA} = 57,5 \text{ dB(A)}$
Usikkerhed K	Osäkerhet K	Epätarkkuus K	Usikkerhet K	Разброс K	Niepewność pomiaru K	3 dB(A)
Målte værdier bestemmes i henhold til EN62841 A-vægtet lydeffektniveau	Värden uppmätta enligt EN62841 A-vägd ljudeffektsnivå	Mitatut arvot määritetty EN62841 -standardin mukaan A-painotettu äänenteho	Målte verdier i samsvar med EN62841 A-vektet lydeffektnivå	Измеренные значения определены в соответствии с EN62841 Уровень A-взвешенной звуковой мощности	Zmierzone wartości określone wg EN62841 A-ważony poziom mocy akustycznej	$L_{WA} = 70,5 \text{ dB(A)}$
Usikkerhed K	Osäkerhet K	Epätarkkuus K	Usikkerhet K	Разброс K	Niepewność pomiaru K	3 dB(A)
Reservevedle	Reservdelar	Varaosat	Reservvedeler	Запасные части	Części zamienne	
Drivrem	Drivrem	Voimansiirtohihna	Drivrem	Ведущий ремень	Pas napędowy	5131037648
Spændepatron	Chuck	Istukka	Chuck	Зажимной патрон	Uchwył wiertarski	5131037726

Čeština	Magyar	Română	Latviski	Lietuviškai	Eesti
Technické údaje produktu	Termék műszaki adatai	Specificațiile produsului	Produkta specifikācijas	Gaminio techninės sąlyšės	Toote tehnilised andmed
Sloupová vrtačka	Oszlopos fúrógép	Mașină de găurit	Stacionārā urbmašīna	Vertikalusis gražtas	Puurpink
Model	Típus	Model	Modelis	Modelis	Mudeli tähis
Čistá hmotnost	Nettó súly	Greutate netă	Svars neto	Neto svoris	Netomass
Velikost sklíčidla	Satúmeret	Dimensiune mandrină	Patronas izmērs	Griebtuvo dydis	Padruni suurus
rychlost (r/m)	Sebesség (rpm)	Vítezá (rpm)	Ātrums (apgr./min)	Greitis (sūk./min.)	Kiirus (rpm)
Motor	Motor	Motor	Motors	Variklis	Mootor
Koňská síla	Teljesítmény	Cai putere	Jauda, Zs	Arklio galia	Võimsus
Rozměr stolu	Asztal mérete	Mărime masă	Galda lielums	Stalo dydis:	Töölaua mõõt
Naklonění stolu (vpravo)	Asztaldöntés (jobbra)	Încăltațe masă (dreapta)	Galda noliekums (pa labi)	Stalo pakreipimas (dešinė)	Töölaua kalle (paremale)
Naklonění stolu (vlevo)	Asztaldöntés (balra)	Încăltațe masă (stânga)	Galda noliekums (pa kreisi)	Stalo pakreipimas (kairė)	Töölaua kalle (vasakule)
Zdvih vřetene	Orsóút	Cursă burghiu	Urbja vārpstas gājiens	Suklio eiga	Spindli samm
Hrdlo	Vágás	Găt	Vertikālais atstatums	Anga	Suue
Třída laserové bezpečnosti	Lézer biztonsági osztály	Clasă de siguranță laser	Lāzera drošības klase	Lazerio saugos klasė	Laseri ohutusklass
Maximální velikost obrobku	Megmunkált darab maximális mérete	Dimensiune maximă piesă prelucrată	Maksimālais apstrādājamā materiāla izmērs	Maksimalus ruošinio dydis	Tööeldava detaili maksimaalne suurus
Naměřené hodnoty zjištěné dle EN62841 Hladina akustického tlaku vážená funkci A	A mért értékek meghatározása az EN62841 szerint történt A-súlyozott hangnyomásszint	Valori măsurate determinate în conformitate cu EN62841 Nivel de presiune acustică ponderată A	Izmērtās vērtības saskaņā ar EN62841 A-līmeņa skaņas spiediena līmenis	Išmatuotosis vertės nustatytos pagal EN62841 A svertinis garso slėgio lygis	Mõõteväärtused on kindlaks määratud vastavalt standardile EN62841 A-kaalutud helirõhu tase
Nejistota K	Bizonytalanság K	Incertitudine K	Kļūdas vērtība K	Nepastovumas K	Mõõtemääramatus K
Naměřené hodnoty zjištěné dle EN 62841 Hladina akustického výkonu vážená funkci A	A mért értékek meghatározása az EN 62841 szerint történt A-súlyozott hangteljesítményszint	Valori măsurate determinate în conformitate cu EN 62841 Nivel de putere acustică ponderată A	Izmērtās vērtības saskaņā ar EN 62841 A-līmeņa skaņas jaudas līmenis	Išmatuotosis vertės nustatytos pagal EN 62841 A svertinis garso galios lygis	Mõõteväärtused on kindlaks määratud vastavalt standardile EN 62841 A-kaalutud helivõimsuse tase
Nejistota K	Bizonytalanság K	Incertitudine K	Kļūdas vērtība K	Nepastovumas K	Mõõtemääramatus K
Náhradní díly	Cserealkatrészek	Piese de schimb	Maiņas detaļas	Atsarginės dalys	Varuosad
Posuvný pás	Hajtósíj	Curea antrenată	Piedziņas siksnā	Pavaros diržas	Kiilrihm
Sklíčidlo	Tokmány	Mandrină	Patrona	Laikiklis	Padrun



Hrvatski	Slovenščina	Slovenčina	България	українська мова	Türkçe	Ελληνικά	
Specifikacije proizvoda	Specifikacije izdelka	Špecifikácia	Спецификации на продукта	Технічні характеристики продукту	Ürün Özellikleri	Προδιαγραφές Προϊόντος	
Stupna bušilica	Namizni vrtni stroj	Stojanová vrtáčka	Колонна бормашина	Свердильний верстат	Matkap tezgahı	Τρυπάνι πρέσας	
Model	Model	Model	Модел	Модель	Model	Μοντέλο	RDP102L
Neto težina	Neto teža	Netto hmotnosť	Нетто тегло	Вага нетто	Net ağırlık	Καθαρό βάρος	21,2 kg
Veličina stezne glave	Velikost vpenjala	Rozmer skľučovadla	Размер на патронника	Диаметр патрона	Kovan ebatı	Μέγεθος τσοκ	13 mm
Brzina (o/min)	Hitrost (vrt/min)	Otáčky (ot./min.)	Скорост (rpm)	Швидкість (оборотів в хвилину)	Hız (rpm)	Ταχύτητα (στροφές/λεπτό)	5 (510-2430)
Motor	Motor	Motor	Мотор	Двигун	Motor	Κινητήρας	230-240 V, 50Hz
Konjskih snaga	Konjska moć	Výkon	Конски сили	Кінська сила	Beygir gücü	Ιπποδύναμη	390 W
Tablica veličina	Velikost mize	Veľkosť stola	Размер на масата	Розмір столу	Tabla ebatı	Μέγεθος πάγκου	195 mm x 165 mm
Nagib stola (desno)	Naklon mize (desno)	Naklonenie stola (doprava)	Наклон на масата (дясно)	Нахильний стіл (праворуч)	Tabla eğimi (sağ)	Κλίση τράπεζας (δεξιά)	45°
Nagib stola (lijevo)	Naklon mize (levo)	Naklonenie stola (dofava)	Наклон на масата (ляво)	Нахильний стіл (ліворуч)	Tabla eğimi (sol)	Κλίση τράπεζας (αριστερά)	45°
Hod vretena	Hod vretena	Zdvih vretena	Ход на шпиндела	Хід шпинделя	Mil hareketi	Διαδρομή άξονα	50 mm
Gribo	Gribo	Hrdlo	Гърло	Горловина	Boğaz	Στεφάνη	127 mm
Sigurnosno staklo lasera	Varnostni razred laserja	Bezpečnostná trieda lasera	Клас на безопасност на лазера	Клас безпечи лазера	Lazer emniyet sınıfı	Κατηγορία ασφάλειας λέιζερ	2
Maksimalna veličina radnog komada	Najveća veličnost obdelovanca	Maximálna veľkosť obrábaného kusa	Максимален размер на работния детайл	Максималний розмір заготовки	Çalışma parçası maksimum ebatı	Μέγιστο μέγεθος αντικειμένου εργασίας	250 mm x 250 mm
Mjerene vrijednosti određene su prema EN62841 Ponderirana razina zvučne snage	Izmerjene vrednosti določene v skladu s standardom EN62841 A-izmerjena raven zvočnega tlaka	Namerané hodnoty určené podľa EN62841 Vážená A hladina akustického tlaku	Измерени стойности, определени в съответствие с EN 62841 Ниво на шумово налягане с равнище А	Вимірні значення шуму визначаються відповідно до EN 62841: А-зважений рівень звукового тиску	EN62841 ile uyumlu olarak belirlenen ölçülen değerler A ağırlıklı ses basınç seviyesi	Οι υπολογισμένες τιμές καθορίστηκαν σύμφωνα με το EN62841 Α-σταθμισμένο επίπεδο έντασης ήχου	$L_{pA} = 57,5 \text{ dB(A)}$
Neodređenost K	Nedoloč. K	Odchýlka K	Променливост K	Невизначеність K	Belirsizlik K	Αβεβαιότητα K	3 dB(A)
Mjerene vrijednosti određene su prema EN 62841 Ponderirana razina zvučne snage	Izmerjene vrednosti določene v skladu s standardom EN 62841 A-izmerjena raven zvočne moči	Namerané hodnoty určené podľa EN 62841 Vážená A hladina akustického tlaku	Измерени стойности, определени в съответствие с EN 62841 Ниво на силата на шума с равнище А	Вимірні значення шуму визначаються відповідно до EN 62841: А-зважений рівень звукової потужності	EN 62841 ile uyumlu olarak belirlenen ölçülen değerler A ağırlıklı ses gücü seviyesi	Οι υπολογισμένες τιμές καθορίστηκαν σύμφωνα με το EN 62841 Α-σταθμισμένο επίπεδο έντασης ήχου	$L_{WA} = 70,5 \text{ dB(A)}$
Neodređenost K	Nedoloč. K	Odchýlka K	Променливост K	Невизначеність K	Belirsizlik K	Αβεβαιότητα K	3 dB(A)
Zamjenski dijelovi	Vymeniteľné diely	Nadomestni deli	Смяна на части	Запасні частини	Yedek parçalar	Ανταλλακτικά	
Pogonski pojas	Gnani jermen	Hnací remeň	Подвижен ремък	Провідний ремінь	Tahnik kayışı	Κινοούμενος μίαντας	5131037648
Stezna glava	Vpenjalna glava	Skľučovadlo	Патронник	Затисний патрон	Mandren	Τσοκ	5131037726



EN **WARNING**

The declared noise emission value(s) have been measured in accordance with a standard test method, and may be used for comparing one tool with another. The declared noise value(s) may also be used in a preliminary assessment of exposure.

The noise emissions during actual use of the power tool can differ from the declared values depending on the ways in which the tool is used especially what kind of workpiece is processed.

Identify safety measures to protect the operator based on an estimation of exposure in the actual conditions of use (taking account of all parts of the operating cycle such as the times when the tool is switched off and when it is running idle in addition to the trigger time).

Wear hearing protection. Exposure to noise can cause hearing loss.

FR **AVERTISSEMENT**

Les valeurs d'émission sonore déclarées ont été mesurées en suivant la procédure de test standard des normes et peuvent être utilisées pour comparer les différents outils.

Les valeurs d'émission sonore déclarées peuvent aussi servir à une évaluation préliminaire d'exposition au bruit.

Les émissions sonores lors de l'utilisation d'un outil électrique peuvent être différentes des valeurs déclarées en fonction de la méthode d'utilisation de l'outil, surtout selon le type de la pièce qui est traitée.

Identifiez les mesures de sécurité pour protéger l'opérateur en fonction de l'estimation de l'exposition dans les conditions d'utilisation réelles (en tenant compte de toutes les phases du cycle de fonctionnement, notamment les périodes pendant lesquelles l'outil est éteint et celles où il fonctionne au ralenti, en plus du temps de déclenchement).

Portez des protections auditives. L'influence du bruit peut provoquer la surdité.

DE **WARNUNG**

Die ausgewiesenen Geräuschemissionswerte wurden gemäß einer Standardtestmethode gemessen und können zum Vergleichen von Werkzeugen verwendet werden.

Die ausgewiesenen Geräuschemissionswerte können auch für die Erstbewertung der Emission verwendet werden.

Geräuschemissionen während des Betriebs des Elektrowerkzeugs können sich, abhängig von der Verwendung des Werkzeugs und insbesondere des Werkstücks, von den ausgewiesenen Werten unterscheiden.

Legen Sie die Sicherheitsmaßnahmen fest, die den Bediener basierend auf einer Schätzung der Belastung unter tatsächlichen Einsatzbedingungen schützen (unter Berücksichtigung aller Phasen des Betriebszyklus, beispielsweise die Zeiten, wenn das Werkzeug aus- und eingeschaltet ist und sich zusätzlich zur Startzeit im Leerlauf befindet).

Tragen Sie einen Gehörschutz. Die Einwirkung von Lärm kann Gehörverlust bewirken.

ES **ADVERTENCIA**

Los valores de emisiones de ruido declarados se han medido conforme a un método de prueba estándar y se pueden usar para comparar una herramienta con otra.

Los valores de ruido declarados se pueden usar en una evaluación de exposición preliminar.

Las emisiones de ruido durante el uso actual de la herramienta eléctrica pueden diferir de los valores declarados en función de las maneras en las que se usa la herramienta, especialmente el tipo de pieza de trabajo que se esté procesando.

Identificar las medidas de seguridad para proteger al operario en función del cálculo de exposición en las condiciones actuales de uso (teniendo en cuenta todas las piezas del ciclo operativo como las veces que se apaga la herramienta y cuando funciona al ralentí además del tiempo del gatillo).

¡Utilice protecciones auditivas. La exposición a niveles de ruido excesivos puede causar pérdida de audición.

IT **AVVERTENZE**

I valori di emissione sonora dichiarati che sono stati misurati in base a un metodo di prova standardizzato e possono essere utilizzati per confrontare uno strumento con un altro.

I valori sonori dichiarati possono inoltre essere utilizzati in una valutazione preliminare dell'esposizione.

Le emissioni sonore durante l'uso effettivo dell'elettrotensibile possono differire dai valori dichiarati a seconda delle modalità in cui lo strumento è utilizzato, soprattutto in base al tipo di pezzo trattato.

Identificare le misure di sicurezza per proteggere l'operatore in base alla valutazione dell'esposizione nelle attuali condizioni d'uso (tenendo conto di tutte le parti del ciclo operativo come il numero di volte in cui lo strumento viene spento e quando gira al minimo, oltre al tempo di attivazione).

Indossare una protezione dell'udito. L'esposizione prolungata al rumore senza protezione può causare danni all'udito.

NL **WAARSCHUWING**

De opgegeven geluidsemissiewaarde(n) is (zijn) gemeten volgens een standaard testmethode en kan (kunnen) gebruikt worden om het ene werktuig met het andere te vergelijken.

De opgegeven geluidswaarde(n) kan (kunnen) ook worden gebruikt bij een voorafgaande beoordeling van de blootstelling.

De geluidsemissie tijdens het feitelijke gebruik van het elektrische gereedschap kan afwijken van de opgegeven waarden, afhankelijk van de manier waarop het gereedschap wordt gebruikt, in het bijzonder welk werkstuk wordt ingezet.

Identificeer veiligheidsmaatregelen om de bediener te beschermen op basis van een schatting van de blootstelling in de werkelijke gebruiksomstandigheden (rekening houdend met alle onderdelen van de werkingscyclus, zoals de tijden waarop het apparaat wordt uitgeschakeld en wanneer het naast de activeringstijd stationair draait).

Draag gehoorbescherming. Blootstelling aan geluid kan het gehoor beschadigen.

PT **AVISO**

Os valores da emissão de ruído declarados foram medidos de acordo com um método de teste padrão das normas e poderão ser utilizados para comparar uma ferramenta com outra.

Os valores de ruído declarados também poderão ser utilizados numa avaliação da exposição preliminar.

As emissões de ruído durante a utilização real da ferramenta elétrica podem ser diferentes dos valores declarados, dependendo das formas como a ferramenta é utilizada e, particularmente, que tipo de peça de trabalho é processada.

Identifique medidas de segurança para proteger o operador com base numa estimativa da exposição nas condições de utilização reais (considerando todas as partes do ciclo de operação, tal como os períodos em que a ferramenta está desligada e quando está a funcionar ao ralenti, bem como o tempo de acionamento do gatilho).

Use proteção auditiva. A influência de ruídos pode causar surdez.

DA **ADVARSEL**

De angivne støjemissionsværdier er målt i overensstemmelse med en standardtestmetode og kan bruges til at sammenligne et værktøj med et andet.

De angivne støjværdier kan også anvendes i en foreløbig vurdering af eksponeringen.

Støjniveauet under selve brugen af elværktøjet kan afvige fra de deklarerede værdier afhængigt af, hvordan værktøjet bruges, især hvad slags emne behandles.

Identificer sikkerhedsforanstaltninger for at beskytte operatøren ud fra et estimat af eksponering under de aktuelle anvendelsesbetingelser (under hensyntagen til alle dele af drifts cyklussen, som f.eks. de tider, hvor værktøjet er slukket, og når det kører tomgang ud over udløserens tid).

Brug høreværn. Støjpåvirkning kan bevirke tab af hørelse.

SV**⚠ VARNING**

Angivna brusnivåer har mätts i enlighet med en standardmetod, och kan användas för att jämföra ett verktyg med ett annat.

De angivna brusnivåerna kan även användas i en preliminär exponeringsbedömning.

Brusnivåerna vid verklig användning av elverktyget kan skilja sig från de angivna värdena beroende på vilket sätt verktyget används på, särskilt när det kommer till vilken typ av arbetsstycke som bearbetas.

Identifiera säkerhetsåtgärder för att skydda operatören baserat på en uppskattad exponering under verkliga användningsförhållanden (med betraktande av alla delar av driftcykeln såsom när verktyget stängs av och när det körs i tomgångsläge, förutom utlösningstiden).

Använd hörselskydd. Bullerbelastning kan orsaka hörselskador.

FI**⚠ VAROITUS**

Ilmoitetut melutasot on mittattu vakiotestimenetelmän mukaisesti, ja niitä voidaan käyttää työkalujen vertailussa.

Ilmoitettuja melutasoja voidaan käyttää myös altistumisen ennakoarvioinnissa.

Sähkötyökalun käytön alkaiset todelliset melutasot voivat poiketa ilmoitettua arvoista riippuen siitä, miten työkalua käytetään ja erityisesti siitä, minkä tapaisista työkaluista työstetään.

Tunista turvakeinot, joiden avulla työntekijää suojataan, todellisten käyttöolosuhteiden altistusarvion perusteella (ota huomioon käyttöjaksen kaikki osat, kuten ajat, joihin työkalu on pois päältä ja milloin se on joutokäynnissä laukaisujan lisäksi).

Käytä kuulosuojaimia. Altistuminen melulle voi vaiingoittaa kuuloa.

NO**⚠ ADVARSEL**

De erklærte utslippsverdiene er blitt målt i samsvar med en standardisert testmetode og kan brukes til å sammenligne et verkøy med et annet.

De erklærte støyverdiene kan også brukes i en preliminær eksponeringsvurdering.

Støyutslippene under faktisk bruk av det elektriske verkøyet kan skille seg fra de erklærte verdiene avhengig av måten verkøyet brukes på, spesielt i henhold til hvilke materiale som behandles.

Identifiser sikkerhetstiltak for å beskytte operatøren basert på en beregning av eksponering i de faktiske bruksforholdene (ta i vurdering alle deler i driftssyklusen, slik som tidene da verkøyet er avslått og når det kjører i tomgang i tillegg til utløsningstiden).

Bruk hørselsvern. Støy kan føre til tap av hørselen.

RU**⚠ ОСТОРОЖНО**

Заявленные уровни шумового воздействия получены с использованием метода тестирования и могут применяться для сравнения инструментов.

Заявленные уровни шума также могут применяться в ходе предварительной оценки общего воздействия.

Фактическая шумность работающего электроинструмента может отличаться от заявленных значений в зависимости от условий использования, в частности от обрабатываемого материала.

Меры безопасности оператора должны определяться с учетом примерного воздействия в фактических условиях эксплуатации (принимая во внимание все этапы рабочего цикла, например, периоды отключения инструмента и работы на холостом ходу).

Используйте средства защиты органов слуха. Воздействие шума может привести к потере слуха.

PL**⚠ OSTRZEŻENIE**

Deklarowany(-e) poziom(y) emisji hałasu został(y) zmierzony(-e) zgodnie ze znormalizowaną metodą badania i może(-ga) być wykorzystywany(-e) do porównywania poszczególnych narzędzi.

Deklarowany(-e) poziom(y) hałasu można również wykorzystywać do wstępnej oceny narażenia.

Emisja hałasu podczas rzeczywistego użytkowania narzędzia z napędem może różnić się od deklarowanych wartości w zależności od sposobu jego

użytkowania, a w szczególności w zależności od rodzaju obrabianego przedmiotu.

Należy zidentyfikować środki bezpieczeństwa w celu ochrony operatora w oparciu o szacunkową ocenę narażenia w rzeczywistych warunkach użytkowania (z uwzględnieniem wszystkich etapów cyklu operacyjnego, takich jak włączenie, przestoż przy włączonym silniku czy rozruch).

Nosić ochronę słuchu. Narażenie na hałas może spowodować utratę słuchu.

CS**⚠ VAROVÁNÍ**

Udávané hodnoty akustické hladiny hluku byly změněny s využitím standardních zkušebních metod a lze je použít k porovnání hlučnosti různého nářadí.

Udávané hodnoty hlučnosti lze také využít k předběžnému vyhodnocení účinků na osoby.

Skutečná hlučnost se může od udávaných hodnot lišit v závislosti na způsobu používání nářadí, obzvláště na druhu obrobku.

Určete bezpečnostní opatření na ochranu obsluhy na základě odhadnutého účinku za podmínek konkrétního používání (při zohlednění všech součástí provozního cyklu, například kromě obrábění také když je nářadí vypnuto nebo běží na volnoběh).

Používejte ochranu sluchu. Působením hluku může dojít k poškození sluchu.

HU**⚠ FIGYELMEZTETÉS**

A közölt zajkibocsátási érték(ek)et szabványos vizsgálati módszerrel mértük, és ez(ek) felhasználható(k) az egyik szerszám másikkal való összehasonlításához.

A közölt zajszintérték(ek) alapján előzetesen felmérhető a kitettség mértéke.

A szerszám tényleges használata során kibocsátott zajszint a szerszám használati módjától, különösen a feldolgozott munkadarabtól függően eltérhet.

A tényleges használati körülmények miatti kitettségi szint alapján állapítsa meg a kezelő védelméhez szükséges biztonsági intézkedéseket (vegye figyelembe a működési ciklus összes részét, pl. a szerszám kikapcsolási és újrészárlati idejét, valamint az indítási időt).

Viseljen hallásvédelmet. A fokozott zajhatás hosszú távon a hallás elvesztését eredményezheti.

RO**⚠ AVERTISMENT**

Valoarea declarată a emisiei de zgomot a fost măsurată în conformitate cu o metodă de testare standard și poate fi utilizată pentru compararea uneltelor.

Valoarea de zgomot declarată poate fi utilizată și pentru evaluarea preliminară a expunerii.

Emisiile de zgomot în timpul utilizării efective a uneltei electrice pot fi diferite față de valorile declarate în funcție de modul în care este utilizată unealta și în special de tipul de piesă prelucrată.

Identificați măsurile de siguranță pentru protecția operatorului, pe baza unei estimări a expunerii în condițiile reale de lucru (având în vedere toate părțile ciclului de funcționare, precum perioadele când unealta este oprită și când funcționează la ralanti, plus perioada de activare).

Purtați protecție pentru urechi. Expunerea la zgomot poate produce pierderea auzului.

LV**⚠ BRĪDINĀJUMS**

Deklarētais radijot trokšņu līmeņa vērtība(s) ir mērīta saskaņā ar standarta testa metodēm, kas var tikt izmantotas viena instrumenta salīdzināšanai ar citu.

Deklarētās trokšņu vērtība(s) var tikt izmantotas arī sākotnējai ietekmes novērtēšanai.

Trokšņu līmeņi faktiskās elektroinstrumenta lietošanas laikā var atšķirties no deklarētās vērtības, atkarībā no veida, kādā instruments tiek izmantots, un it sevišķi, kāds materiāls tiek apstrādāts.

Nosakiet drošības pasākumus, lai aizsargātu lietotāju, pamatojoties uz ietekmes aplēsi faktiskajos apstākļos (ņemot vērā visas darba cikla daļas, piemēram laiku, kad instruments ir izslēgts un kad tas darbojas tukšgaitā papildu izmantošanas laikā).

Valkājiet dzirdes aizsarglīdzekļus. Ausu pakļaušana trokšņa iedarbībai var izraisīt dzirdes traucējumus.

LT**⚠️ ĮSPĖJIMAS**

Deklaruotiji keliami triukšmo vertė(-ės) nustatyti(a) atsižvelgiant į standartinį bandymo metodą, todėl ją(jas) galima patalyginti su kitu elektrinių įrankių keliamu triukšmu.

Deklaruota keliami triukšmo vertė(-ės) taip pat gali būti naudojama(-os) preliminariam triukšmo poveikiui įvertinti.

Faktiškai naudojant elektrinį įrankį, keliamo triukšmo lygis gali skirtis nuo paskelbtosios vertės, priklausomai nuo būdų, kuriais yra naudojamas šis įrankis, ir ypač nuo to, koks ruošinys yra apdirbamas.

Siekiant apsaugoti naudotoją, būtina įvertinkite saugos priemones, remdamiesi triukšmo poveikio įvertinimu esant faktinėms naudojimui sąlygoms (atsižvelgdami į visas darbo ciklo dalis, pavyzdžiui, ne tik kiek laiko įrankis veikia, bet ir kiek kartų jis yra išjungiamas bei kai jis veikia be apkrūvų).

Naudokite klausos apsaugos priemones. Jei ausų neapsaugosite, galite prarasti klausą.

ET**⚠️ HOIATUS**

Deklarėeritū mūrataseme vāārtus(ed) nū mōōdetud vastavalt standardtesti meetodile ja seda saab kasutada tōōristade vōrdlemiseks.

Deklarėeritū mūrataseme vāārtust (vāārtuseid) saab kasutada ka kokkupūute eelhinnauguks.

Elektritōōrista kasutamisega kaasnev mūratase vōib erineda deklarėeritū vāārtustest, sōltuvalt tōōrista kasutamise viisist, eriti sellest, millist toorikut tōōdeldakse.

Tehke kindlaks ohutusmeetmed, et kaitsta operaatorit vastavalt tegelike kasutustingimuste hinnangule (vōttes arvesse kōiki tōōtsūkli osasid, nāiteks tōōrista vāljāulitamise aegu ja vabakāigul tōōtamise aega lisaks kāivitamise ajale).

Kandke kuuldekaitset. Tugev mūra vōib pōhjūstada kuulmiskaotuse.

HR**⚠️ UPOZORENJE**

Deklarirane vrijednosti emisije buke izmjere su u skladu sa standardnom ispitnom metodom i mogu se koristiti za usporedbu jednog alata s drugim.

Deklarirana vrijednost buke moze se koristiti i za preliminarnu procjenu izlaganja.

Emisije buke tijekom trenutnog korištenja električnog alata mogu se razlikovati od deklariranih vrijednosti ovisno o načinima korištenja alata, osobito o vrsti obrade radnog komada.

Utvrđite sigurnosne mjere za zaštitu rukovatelja na temelju procjene izlaganja u sadašnjim uvjetima korištenja (vodeći računa o svim dijelovima radnog ciklusa kao što su vremena isključivanja alata i kada alat radi u praznom hod u vrijeme okidanja).

Nosite zaštitu za sluh. Izlaganje buci može izazvati gubitak sluha.

SL**⚠️ OPOZORILO**

Navedene vrednosti oddajanja hrupa so bile izmerjene v skladu s standardno testno metodo in se lahko uporabljajo za medsebojno primerjavo orodij.

Navedene vrednosti oddajanja hrupa ase lahko uporabijo tudi za predhodno oceno izpostavljenosti.

Emisije hrupa med dejansko uporabo električnega orodja so lahko drugačne od navedenih vrednosti, kar je odvisno od načinov uporabe orodja in predvsem vrste obdelovanca.

Varnostne ukrepe za zaščito operaterja ugotovite na podlagi ocene izpostavljenosti v dejanskih pogojih uporabe (pri čemer upoštevajte vse dele cikla uporabe, to je čas dejanske uporabe in tudi čas, v katerem je orodje izklopljeno in ko teče v prostem teku).

Uporabljajte zaščitno sluha. Izpostavljenost hrupu lahko povzroči izgubo sluha.

SK**⚠️ VAROVANIE**

Udāvanē hodnoty emisii hluku boli nameranē v sūlade so štandardnūm spōsobom testovania a mōžu sa pouzīvat' na porovnvāvanie jednotlivūch nāstrojov.

Udāvanē hodnoty hluku sa mōžu tiež pouzīvat' na predbežnē posūdenie expozicie.

Emisie hluku počas skutočného pouzīvania elektrického nāradia sa mōžu od udāvanūch hodnōt lišit' v zāvislosti od spōsobov pouzīvania nāradia, hlavne od opracovaného obrobku.

Identifikujte bezpečnostné opatrenia s cieľom chrániť obsluhu na základe približného stanovenia expozície v aktuálnych podmienkach pouzívania (pri zohľadnení všetkých súčastí prevádzkového cyklu; okrem času spustenia zohľadnite aj čas vypnutia nāradia a jeho spustenia na vofnobeľu).

Pouzīvajte ochranu sluchu. Vystavovanie hluku mōže spōsobiť stratu sluchu.

BG**⚠️ ВНИМАНИЕ**

Посочените стойности на шумовите емисии са измерени по стандартен тестов метод и могат да се използват за сравняване на един инструмент с друг.

Посочените стойности на шума могат да се използват също така и при предварителна оценка на излагането.

Шумовите емисии по време на действителната употреба на електрическия инструмент може да се различават от посочени стойности в зависимост от начините, по които се използва инструментът, и по-специално от вида на обработвания детайл.

Идентифициране на мерките за безопасност за защита на оператора въз основа на излагането на действителните условия на употреба (като се вземат предвид всички части на работния цикъл, като напр. времето, през което инструментът е изключен и когато работи на празен ход в допълнение към времето на работа).

Носете антифони. Излагането на шум може да причини увреждане на слуха.

UK**⚠️ ПОПЕРЕДЖЕННЯ**

Заявлені значення випромінювання шуму було виміряно у відповідності зі стандартним методом випробування та можуть бути використані для порівняння одного інструменту з іншим.

Заявлені значення шуму також можуть бути використані при попередній оцінці впливу.

Викиди шуму при фактичному використанні електроінструменту можуть відрізнятис від заявлених значень залежно від способів використання інструменту, особливо того, який вид оброблюваної деталі обробляється.

Визначті заходи безпеки для захисту оператора на основі оцінки впливу в реальних умовах використання (з урахуванням всіх частин робочого циклу, таких як час, коли інструмент вимикається і коли він працює на холостому ході на додаток до часу вмикання).

Носіть захист слуху. Вплив шуму може призвести до втрати слуху.

TR**⚠️ UYARI**

Açıklanan gürültü emisyon değeri/değerleri uyumlu standart test yöntemleriyle ölçülmüş olup, bir aleti diğeryle karşılaştırmak için kullanılabılır.

Açıklanan gürültü değeri/değerleri maruz kalma ön değeriendirmesi için de kullanılabılır.

Aletin kullanılması yöntemleri ve özellikle işlenen parçanın türüne bağlı olarak, elektrikli aletin fiili kullanımını sırasındaki gürültü emisyonları açıklanan değerlere göre farklılık gösterebilir.

Operatörü korumak için, işleme döngüsünün bütün safhalarını (çalışma süresine ilave olarak aletlin çalıştırılmadığı ve bosta çalıştırıldığı süreler de dahil) göz önünde bulundurarak fiili kullanım koşullarındaki maruz kalma tahmini temel alıp gerekli güvenlik önlemlerini belirleyin.

Kulak tıkaçı kullanın. Gürültüye maruz kalmak işitme kaybına neden olabilir.

EL**⚠️ ΠΡΟΕΙΔΟΠΟΙΗΣΗ**

Η(Οι) δηλωθείσα(ες) τιμή(-ές) εκπομπής θορύβου έχει(-ουν) μετρηθεί σύμφωνα με μια τυπική μέθοδο δοκιμών και μπορεί(-ούν) να χρησιμοποιηθεί(-ούν) για τη σύγκριση ενός εργαλείου με ένα άλλο.

Οι δηλωθείσες τιμές εκπομπής θορύβου μπορεί επίσης να χρησιμοποιηθούν σε προκαταρκτική εκτίμηση έκθεσης.

Οι εκπομπές θορύβου κατά τη διάρκεια της πραγματικής χρήσης του ηλεκτρικού εργαλείου μπορεί να διαφέρουν από τις δηλωθείσες τιμές ανάλογα με τους τρόπους με τους οποίους χρησιμοποιείται το εργαλείο, και ιδίως το είδος του καταργαζόμενου τεμαχίου.

Προσδιορίστε τα μέτρα ασφαλείας για την προστασία του χειριστή με βάση την εκτίμηση της έκθεσης στις πραγματικές συνθήκες χρήσης (λαμβάνοντας υπόψη όλα τα μέρη του κύκλου λειτουργίας, όπως είναι οι χρόνοι κατά τις οποίες το εργαλείο είναι απενεργοποιημένο και όταν βρίσκεται σε αδράνη κατάσταση επιπροσθέτως του χρόνου πυροδότησης).

Φοράτε προστατευτικά ακοής. Η επίδραση θορύβου μπορεί να προκαλέσει απώλεια ακοής.

EN RYOBI® WARRANTY APPLICATION CONDITIONS

In addition to any statutory rights resulting from the purchase, this product is covered by a warranty as stated below.

1. The warranty period is 24 months for consumers and commences on the date the product was purchased. This date has to be documented by an invoice or other proof of purchase. The product is designed and dedicated to consumer and private use only. So there is no warranty provided in case of professional or commercial use. This warranty applies only on new products.
2. There is a possibility to extend for a part of the range of power tools (AC/DC) the warranty period over the period described above using the registration on the www.ryobitools.eu website. The eligibility of products for extended warranty is clearly displayed in stores and / or on packaging and is contained within the product documentation. The end user is required to register his/her newly-acquired products online within 30 days from the date of purchase. The end user may register for the extended warranty in his/her country of residence if listed on the online registration form where this option is valid. Furthermore, end users must give their consent to the storage of their personal data that is required to be entered online. They must also accept the terms and conditions. The registration confirmation receipt, which is sent out by e-mail, and the original invoice showing the date of purchase will serve as proof of the extended warranty.
3. The warranty covers all defects of the product during the warranty period due to faults in workmanship or material at the purchase date. The warranty is limited to repair and/or replacement and does not include any other obligations including but not limited to incidental or consequential damages. The warranty is not valid if the product has been misused, used contrary to the instruction manual, or has been incorrectly connected to a power supply. This warranty does not apply to:
 - any damage to the product that is the result of improper or lack of maintenance
 - any product that has been altered or modified
 - any product where original identification (trade mark, serial number) markings have been defaced, altered or removed
 - any damage caused by non-observance of the instruction manual
 - any product not displaying the CE approval mark on the rating plate
 - any product that has been attempted to be repaired by a non-authorised warranty service centre or without prior authorisation by Techtronic Industries
 - any product connected to improper power supply (amps, voltage, frequency)
 - any damage caused by external influences (water, chemical, physical, shocks) or foreign substances
 - normal wear and tear spare parts
 - inappropriate use, overloading of the tool
 - use of non-approved accessories or parts
 - Power tool accessories provided with the tool or purchased separately, including but not limited to screw driver bits, drill bits, abrasive discs, sand paper and blades, lateral guide, etc.
 - Components (parts and accessories) subject to natural wear and tear, including but not limited to service & maintenance kits, carbon brushes, bearings, chuck, SDS drill bit attachment or reception, power cord, auxiliary handle, transport carry case, sanding plate, dust bag, dust exhaust tube, felt washers, impact wrench pins & springs, etc.
4. For servicing, the product must be sent or presented to a RYOBI authorised service station listed for each country in the following list of service station addresses. In some countries your local RYOBI dealer undertakes to send the product to the RYOBI service organisation. When sending a product to a RYOBI service station, the product should be safely packed without any dangerous contents such as petrol, marked with sender's address and accompanied by a short description of the fault.
5. A repair / replacement under this warranty is free of charge. It does not constitute an extension or a new start of the warranty period. Exchanged parts or products become our property. In some countries delivery charges or postage will have to be paid by the sender. Your statutory rights arising from the purchase of the product remain unaffected.
6. This warranty is valid in the European Community, Switzerland, Iceland, Norway, Liechtenstein, Turkey, Russia, and the United Kingdom. Outside these areas, please contact your authorised RYOBI dealer to determine if another warranty applies.

AUTHORISED SERVICE CENTRE

Any request or issue with the product can be addressed to your local authorised service centres (visit www.ryobitools.eu) or directly to: Techtronic Industries GmbH, Max Eyth Straße 10, 71364 Winnenden, Germany. Please state the serial number and product type printed on the label.

FR RYOBI® CONDITIONS D'APPLICATION DE LA GARANTIE

En plus des droits statutaires liés à l'achat, ce produit est couvert par une garantie telle que décrite ci-dessous.

1. La durée de la garantie accordée au consommateur est de 24 mois à partir de la date d'achat. Cette date doit être authentifiée par une facture ou toute autre preuve d'achat. Le produit a été conçu en vue d'une utilisation strictement privée. Aucune garantie ne s'applique donc en cas d'utilisation professionnelle ou commerciale.
2. Il existe pour une partie de la gamme d'outils électroportatifs (AC/DC), une possibilité d'étendre la période de garantie au-delà de la période précédemment décrite en utilisant le formulaire d'enregistrement présent sur le site Internet www.ryobitools.eu. L'éligibilité d'un outil est clairement affichée dans les points de vente et/ou sur l'emballage et la documentation. L'utilisateur final doit enregistrer son(s) outil(s) nouvellement acheté(s) en ligne dans les 30 jours qui suivent la date d'achat. L'utilisateur a la possibilité de s'enregistrer pour l'extension de garantie dans son pays de résidence si celui-ci est listé dans le formulaire d'enregistrement en ligne où cette option est valide. L'utilisateur final doit donner son consentement pour l'enregistrement des données requises pour accéder au site et doit accepter les termes et conditions. La confirmation d'enregistrement, envoyée par courrier électronique, ainsi que la facture originale mentionnant la date d'achat serviront de preuve de l'extension de garantie.
3. La garantie couvre pendant la période de garantie les défauts des produits liés à la fabrication et aux matériaux à la date d'achat. La garantie est limitée à la réparation et/ou remplacement et n'inclut aucune autre obligation, tel que, mais sans s'y limiter, les dommages accessoires ou indirects. La garantie est non valable en cas de mauvaise utilisation du produit, d'utilisation contraire aux instructions du mode d'emploi, ou en cas de branchement incorrect. Cette garantie ne s'applique pas pour :
 - tout dommage au produit résultant d'un mauvais entretien
 - tout produit ayant été altéré ou modifié
 - tout produit dont les marquages originaux d'identification (marque, numéro de série) ont été dégradés, altérés ou retirés
 - tout dommage causé par le non-respect des instructions du mode d'emploi
 - tout produit non CE
 - tout produit ayant subi une tentative de réparation par du personnel non qualifié ou sans autorisation préalable de Techtronic Industries
 - tout produit raccordé à une alimentation secteur non conforme (ampérage, voltage, fréquence)
 - tout dommage causé par des influences extérieures (chimiques, physiques, chocs) ou par des substances étrangères
 - l'usure normale des pièces consommables
 - une utilisation inappropriée, une surcharge de l'outil
 - l'utilisation de pièces ou accessoires non agréés
 - accessoires de l'outil électrique fournis avec l'outil ou achetés séparément. Cela comprend notamment les embouts de vissage, les forets de perçuse, les disques abrasifs, le papier de verre et les lames, le guide latéral
 - Les composants (pièces et accessoires) sujets à l'usure naturelle, ceci incluant notamment les mandrins, les charbons, adaptateurs SDS, les cordons d'alimentation, les poignées auxiliaires, les mallettes de transport, les plateaux de ponçage, les sacs collecteurs de poussière, les tubes d'extraction de poussière, les carrés de clé à choc, etc.
4. Si le produit doit être réparé, envoyez-le à un service après-vente agréé RYOBI dont vous trouverez ci-dessous la liste pour chaque pays. Dans certains pays, votre revendeur RYOBI se chargera d'envoyer le produit à un centre de réparation RYOBI. Lorsque vous envoyez un produit à un service après-vente RYOBI, celui-ci doit être correctement emballé, sans contenir aucun produit dangereux tel que de l'essence, et vous devez indiquer votre adresse ainsi qu'une courte description du problème.
5. Une réparation / un remplacement sous garantie est gratuit(e). Ceci ne constituera pas une extension de garantie ni un nouveau départ de la période de garantie. Les pièces ou les outils remplacés deviennent notre propriété. Dans certains pays, les frais de port devront être assumés par l'expéditeur. Vos droits statutaires restent inchangés.
6. Cette garantie est valable dans la Communauté européenne, la Suisse, l'Islande, la Norvège, le Liechtenstein, la Turquie, la Russie et le Royaume-Uni. En dehors de ces zones, veuillez contacter votre distributeur agréé RYOBI pour déterminer si une autre garantie s'applique.

CENTRE DE SERVICE AGRÉÉ

Toute demande ou tout problème concernant le produit peut être transmis à votre centre de services agréé local (consultez www.ryobitools.eu) ou directement à Techtronic Industries GmbH, Max Eyth Straße 10, 71364 Winnenden, Allemagne. Veuillez mentionner le numéro de série et le type de produit imprimés sur l'étiquette.

DE RYOBI® GARANTIEBEDINGUNGEN

Zusätzlich zu den gesetzlichen Rechten aus dem Kauf gilt für dieses Produkt die nachstehend aufgeführte Garantie.

- Der Garantiezeitraum beträgt für Verbraucher 24 Monate und beginnt mit dem Datum des Kaufs. Dieses Datum muss durch eine Rechnung oder einen anderen Kaufbeleg dokumentiert werden. Dieses Produkt wurde ausschließlich zur privaten Nutzung durch Verbraucher entwickelt. Für den Fall einer professionellen bzw. kommerziellen Nutzung besteht daher keine Garantie.
- Es besteht die Möglichkeit, für einen Teil des Sortiments der Elektrogeräte (DA/DC) den Garantiezeitraum über den oben genannten Zeitraum hinaus zu verlängern, indem der Verbraucher die Registrierung auf der Website www.ryobitools.eu durchführt. Die Berechtigung der Werkzeuge für die Garantieverlängerung ist deutlich im Geschäft und/oder auf der Verpackung beschrieben und in der Produktdokumentation erwähnt. Der Verbraucher muss das neu erworbene Gerät online innerhalb von 30 Tagen ab dem Kaufdatum registrieren. Der Verbraucher kann das Gerät zwecks Garantieverlängerung in seinem Wohnsitzland/Heimatland registrieren, wenn dieses Land auf dem Online-Registrierungsformular aufgeführt und die Option gültig ist. Darüber hinaus muss der Verbraucher seine Zustimmung zur Speicherung der Daten geben, die online eingegeben werden müssen, und er muss die allgemeinen Geschäftsbedingungen akzeptieren. Die Bestätigung der Registrierung, die per E-Mail versandt wird, und die Originalrechnung mit dem Kaufdatum gelten als Beleg für die Garantieverlängerung.
- Die Garantie deckt alle Defekte des Geräts während des Garantiezeitraums ab, die auf zum Zeitpunkt des Kaufs bestehende Verarbeitungs- oder Materialfehler zurückzuführen sind. Die Garantie beschränkt sich auf Reparatur und/oder Ersatz und beinhaltet keine anderen Verpflichtungen, insbesondere keinen Schadenersatz für Folge- oder Nebenschäden. Die Garantie gilt nicht, wenn das Gerät fehlerhaft eingesetzt wurde, gegensätzlich zur Bedienungsanleitung eingesetzt wurde oder falsch angeschlossen wurde. Die Garantie gilt nicht für Folgendes:
 - Schäden am Gerät, die auf unkorrekte Wartung zurückzuführen sind
 - Geräte, an denen Veränderungen vorgenommen wurden
 - Produkte, bei denen die ursprüngliche Identifizierung (Handelsmarke, Seriennummer) unleserlich gemacht, verändert oder entfernt wurde
 - Schäden durch Nichtbeachtung der Bedienungsanleitung
 - nicht-CE-zertifizierte Geräte
 - Geräte, an denen durch nicht-qualifizierte Personen oder ohne vorherige Genehmigung von Techtronic Industries Reparaturversuche vorgenommen wurden
 - Geräte, die an unkorrekte Energiequellen (Ampere, Volt, Frequenz) angeschlossen wurden
 - Schäden durch äußere Einflüsse (chemisch, physisch, Stöße) oder Fremdstoffe
 - normaler Verschleiß von Ersatzteilen
 - unangemessene Nutzung, Überlastung des Geräts
 - Nutzung nicht genehmigter Zubehörteile oder Ersatzteile
 - mit dem Gerät gelieferte oder separat erworbene Zubehörteile. Dieser Ausschluss beinhaltet, ist aber nicht beschränkt auf Schraubendreher-Bits, Bohreinsätze, Schleifscheiben, Sandpapier und Klingen, Seitenführungen
 - Komponenten (Ersatzteile und Zubehörteile), die natürlichen und normalen Verschleißerscheinungen unterworfen sind, einschließlich aber nicht beschränkt auf : Service- und Wartungssätze, Kohlebürsten, Lager, Spannvorf, SDS-Bohreraufnahme /Bit-Adapter, Netzkabel, Zusatzhandgriff, Transportkoffer, Schleifblätter, Staubbeutel, Staubabsaugrohr, Filzunterlegscheiben, Bolzen und Federn von Schlagschraubern usw.
- Zum Service muss das Gerät zu einer von RYOBI autorisierten Servicestation gebracht oder dorthin geschickt werden. Die Servicestationen für die einzelnen Länder sind in der folgenden Liste aufgeführt. In einigen Ländern sendet Ihr RYOBI-Händler vor Ort das Gerät an das RYOBI-Serviceunternehmen. Beim Einsenden an die RYOBI-Servicestation sollte das Gerät sicher verpackt sein, ohne gefährliche Inhalte wie Benzin, und es sollte mit der Adresse des Absenders und einer kurzen Beschreibung des Fehlers versehen sein.
- Eine Reparatur bzw. ein Ersatz gemäß dieser Garantie ist kostenlos. Hieraus ergibt sich weder eine Garantieverlängerung noch der Beginn eines neuen Garantiezeitraums. Die ausgetauschten Ersatzteile oder Werkzeuge gehen in unser Eigentum über. In einigen Ländern müssen die Zustellgebühren oder die Versandkosten vom Absender gezahlt werden. Ihre gesetzlichen Rechte aus dem Kauf des Geräts bleiben hiervon unberührt.
- Diese Garantie ist gültig in der Europäischen Gemeinschaft, der Schweiz, Island, Norwegen, Liechtenstein, der Türkei, Russland und dem Vereinigten Königreich. Bitte wenden Sie sich außerhalb dieser Gebiete an Ihren autorisierten RYOBI-Händler, um festzustellen, ob eine andere Garantie gilt.

AUTORISIERTER KUNDENDIENST

Bitte wenden Sie sich bei Fragen zum oder Problemen mit dem Gerät an das örtliche autorisierte Servicecenter (siehe www.ryobitools.eu) oder direkt an: Techtronic Industries GmbH, Max Eyth Straße 10, 71364 Winnenden, Germany. Bitte geben Sie die Seriennummer und den auf dem Typenschild aufgedruckten Gerätetyp an.

ES CONDICIONES DE APLICACIÓN DE LA GARANTÍA DE RYOBI®

Además de cualquier derecho legal derivado de la compra, este producto está cubierto por una garantía que se indica a continuación.

- El periodo de garantía es de 24 meses para consumidores y comienza en la fecha en que se compra el producto. Dicha fecha debe documentarse con una factura u otro comprobante de compra. El producto está diseñado y concebido únicamente para el uso privado del consumidor. Por lo tanto, no se ofrece garantía en caso de uso profesional o comercial.
- Existe la posibilidad de ampliar el periodo de garantía respecto a una parte de la gama de herramientas eléctricas (CA/CC) durante el periodo descrito más arriba y mediante el registro en el sitio web www.ryobitools.eu. La elegibilidad de las herramientas para que se amplíe el periodo de garantía se muestra claramente en las tiendas o en el embalaje y está incluida en la documentación del producto. El usuario final tiene que registrar en línea sus herramientas recientemente adquiridas en un plazo de 30 días a partir de la fecha de compra. El usuario final podrá registrarse para obtener la garantía ampliada en su país de residencia si este aparece en la lista del formulario de registro en línea cuando esta opción sea válida. Además, los usuarios finales deberán dar su consentimiento al almacenamiento de los datos necesarios para el acceso en línea y tienen que aceptar los términos y condiciones. El recibo de confirmación de registro, que se envía por correo electrónico, y la factura original que muestra la fecha de compra servirán como comprobante para la garantía ampliada.
- La garantía cubre todos los defectos del producto durante el periodo de garantía debido a fallos de mano de obra o material en la fecha de compra. La garantía se limita a la reparación o sustitución y no incluye ninguna otra obligación como, por ejemplo, daños accidentales o consecuentes. La garantía no es válida si se ha usado mal el producto, se ha usado contraviniendo el manual de instrucciones o se ha conectado de forma incorrecta. Esta garantía no es aplicable a:
 - ningún daño en el producto que sea consecuencia de un mantenimiento inadecuado
 - ningún producto que haya sido alterado o modificado
 - ningún producto en el que los marcados de identificación originales (marca comercial, número de serie) se hayan borrado, modificado o eliminado
 - ningún daño provocado por no seguir el manual de instrucciones
 - ningún producto que no sea CE
 - ningún producto que haya sufrido un intento de reparación por parte de un profesional no cualificado o sin la autorización previa de Techtronic Industries.
 - ningún producto conectado a un suministro eléctrico inadecuado (amperios, voltaje, frecuencia)
 - ningún daño causado por influencias externas (químicas, físicas, impactos) o sustancias extrañas
 - desgaste normal de piezas de repuesto
 - uso inadecuado, sobrecarga de la herramienta
 - uso de accesorios o piezas no aprobados
 - Accesorios de herramientas eléctricas proporcionados con la herramienta o comprados por separado. Tales exclusiones incluyen, entre otros, brocas de destornilladores, brocas de taladro, discos abrasivos, papel de lija y cuchillas, y guías laterales
 - Componentes (piezas y accesorios) sujetos a un desgaste natural, que incluyen, entre otros, equipos de servicio y mantenimiento, escobillas de carbono, cojinetes, pizas, accesorio o recepción de broca de taladro SDS, cable eléctrico, manillar auxiliar, bolsa de transporte, hoja lijadora, bolsa de polvo, tubo de escape de polvo, disco de filtro, pasadores y resortes de lave de impacto, etc.
- Para su mantenimiento, el producto debe enviarse o presentarse a una estación de servicio de RYOBI autorizada que figure en la siguiente lista de direcciones de estaciones de servicio por países. En algunos países, su distribuidor RYOBI local se responsabiliza de enviar el producto a la compañía de servicio de RYOBI. Cuando se envíe un producto a una estación de servicio de RYOBI, este debe estar empaquetado de forma segura sin contenidos peligrosos como gasolina, marcado con la dirección del remitente y acompañado de una breve descripción del fallo.
- Una reparación / sustitución con esta garantía es gratuita. No constituye una ampliación ni un nuevo comienzo del periodo de garantía. Las piezas o herramientas intercambiadas pasan a ser de nuestra propiedad. En algunos países, los gastos de envío o correo tendrán que pagarlos el remitente. Sus derechos legales derivados de esta compra de la herramienta no se verán afectados.
- Esta garantía es válida en la Comunidad Europea, Suiza, Islandia, Noruega, Liechtenstein, Turquía, Rusia y el Reino Unido. Fuera de estas zonas, póngase en contacto con su distribuidor de RYOBI autorizado para determinar si es aplicable otra garantía.

SERVICIO TÉCNICO AUTORIZADO

Cualquier solicitud o problema relacionado con el producto se puede remitir a su centro de servicio autorizado local (visite www.ryobitools.eu) o directamente a: Techtronic Industries GmbH, Max Eyth Straße 10, 71364 Winnenden, Germany. Indique el número de serie y el tipo de producto que aparecen impresos en la etiqueta.

IT CONDIZIONI DI VALIDITÀ DELLA GARANZIA RYOBI®

In aggiunta ai diritti di legge risultanti dall'acquisto, il prodotto è coperto dalla garanzia sotto descritta.

- Il periodo di garanzia è di 24 mesi per i consumatori, a decorrere dalla data di acquisto del prodotto. La data deve essere documentata da una fattura o altra prova d'acquisto. Il prodotto è progettato e destinato solo all'utilizzo privato dei consumatori. Pertanto non viene fornita alcuna garanzia in caso di uso professionale o commerciale.
- Per una serie di utensili elettrici (CA/CC) è possibile prolungare il periodo di garanzia oltre quello descritto, registrandosi sul sito web www.ryobitools.eu. Gli utensili per i quali è possibile prolungare il periodo di garanzia sono chiaramente indicati nei negozi e/o sulle confezioni e nella documentazione dei prodotti. L'utente deve registrare online l'utensile acquistato entro 30 giorni dalla data di acquisto. L'utente può registrarsi per la garanzia prolungata nel proprio paese di residenza, se questo è elencato nel modulo di registrazione online dove questa opzione sia valida. Inoltre gli utenti devono fornire il proprio consenso alla conservazione dei dati da immettere online e devono accettare le condizioni generali. La conferma di registrazione, inviata tramite e-mail, e la fattura originale indicante la data di acquisto, costituiranno la prova della garanzia prolungata.
- La garanzia copre tutti i difetti del prodotto durante il periodo di garanzia, risultanti da manodopera o materiali alla data di acquisto. La garanzia è limitata alla riparazione e/o sostituzione e non include alcun altro obbligo quali, a mero titolo esemplificativo, i danni incidentali o consequenziali. La garanzia non è valida se il prodotto è stato usato scorrettamente, in modo contrario al manuale di istruzioni o se è stato collegato in modo errato. La garanzia non è valida per:
 - qualsiasi danno al prodotto dovuto a manutenzione errata;
 - qualsiasi prodotto che sia stato alterato o modificato;
 - qualsiasi prodotto le cui marcature di identificazione originali (marchi di fabbrica, numero di serie) siano state cancellate, alterate o rimosse;
 - qualsiasi danno causato dalla non osservanza delle istruzioni del manuale;
 - qualsiasi prodotto privo di omologazione CE;
 - qualsiasi prodotto che sia stato sottoposto a un tentativo di riparazione da parte di un professionista non qualificato oppure senza la previa autorizzazione di Techtronic Industries;
 - qualsiasi prodotto collegato a un'alimentazione errata (per ampere, tensione, frequenza);
 - qualsiasi danno causato da influenze esterne (chimiche, fisiche, urti) o sostanze estranee;
 - la normale usura delle parti di ricambio;
 - uso inappropriato, sovraccarico dell'utensile;
 - uso di accessori o parti non omologate;
 - accessori per utensili elettrici forniti con l'utensile o acquistati separatamente. Questa esclusione comprende, a mero titolo esemplificativo, punte per cacciaviti, punte per trapani, dischi abrasivi, carta vetrata, lame e guide laterali;
 - componenti (parti e accessori) soggetti alla normale usura compresi, a mero titolo esemplificativo, kit di servizio e manutenzione, spazzole al carbonio, cuscinetti, mandrini, attacchi per punte a vite autopoterfanno, cavi di alimentazione, maniglie ausiliarie, custodie di trasporto, piastre di levigatura, sacchetti per la polvere, tubi di scarico della polvere, rondelle di feltro, perni e molle per avvitatori ecc.
- Per la manutenzione il prodotto dev'essere spedito o portato presso uno dei centri assistenza autorizzati RYOBI elencati per ogni paese nel seguente elenco di indirizzi dei centri. In alcuni paesi il rivenditore locale RYOBI si incarica di inviare il prodotto all'organizzazione di assistenza RYOBI. Quando si invia un prodotto a un centro assistenza RYOBI, imballarlo in modo sicuro senza contenuti pericolosi come la benzina, apporre l'indirizzo del mittente e accompagnarlo da una breve descrizione del guasto.
- La riparazione/sostituzione ai sensi della presente garanzia è gratuita. Non costituisce un prolungamento o un nuovo inizio del periodo di garanzia. Le parti o gli utensili scambianti diventano di nostra proprietà. In alcuni paesi i costi di consegna o di spedizione postale devono essere pagati dal mittente. I diritti di legge derivanti dall'acquisto dell'utensile rimangono inalterati.
- La presente garanzia è valida in Comunità Europea, Svizzera, Islanda, Norvegia, Liechtenstein, Turchia, Russia e Regno Unito. Al di fuori di tali aree contattare il rivenditore autorizzato RYOBI per sapere se è valida un'altra garanzia.

CENTRO SERVIZI AUTORIZZATO

Qualsiasi richiesta o problema con il prodotto può essere indirizzato ai centri di assistenza autorizzati locali (visitare www.ryobitools.eu) o direttamente a: Techtronic Industries GmbH, Max Eyth Straße 10, 71364 Winnenden, Germany. Si prega di indicare il numero di serie e il tipo di prodotto stampati sull'etichetta.

NL RYOBI® GARANTIEVOORWAARDEN

Naast de wettelijke rechten die voortvloeien uit de aankoop, wordt dit product gedekt door een garantie, zoals hieronder staat vermeld.

- De garantietermijn voor consumenten bedraagt 24 maanden en gaat in op de datum waarop het product is gekocht. Deze datum moet worden gedocumenteerd met een factuur of een ander aankoopbewijs. Het product is uitsluitend ontworpen en bedoeld voor persoonlijk gebruik door consumenten. Er wordt dus geen garantie gegeven voor professioneel of commercieel gebruik.
- Voor een deel van ons aanbod van elektrische gereedschappen (AC/DC) is het mogelijk om de garantietermijn te verlengen over de boven beschreven termijn, met behulp van de website www.ryobitools.eu. De gereedschappen die in aanmerking komen voor de verlenging van de garantietermijn wordt duidelijk weergegeven in winkels en/of verpakkingen en staat beschreven in de productdocumentatie. De eindgebruiker moet zijn/haar nieuw gekochte gereedschappen binnen 30 dagen na aankoop online registreren. De eindgebruiker kan zich registreren voor de verlengde garantietermijn als zijn woonland staat vermeld op het online registratieformulier waar deze optie geldig is. Bovendien moeten eindgebruikers toestemming geven voor de opslag van de gegevens die online ingevuld moeten worden en moeten ze de algemene voorwaarden accepteren. Het ontvangstbewijs van de registratie, dat per e-mail wordt verzonden en de oorspronkelijke factuur met de aankoopdatum vormt het bewijs van de verlengde garantietermijn.
- De garantie dekt tijdens de garantietermijn alle gebreken van het product vanwege defecten in vakmanschap of materiaal op de aankoopdatum. De garantie is beperkt tot reparatie en/of vervanging en bevat geen andere verplichtingen, waaronder maar niet beperkt tot incidentele of gevolgschade. De garantie is niet geldig als het product is misbruikt, in strijd met de gebruiksaanwijzing wordt gebruikt of onjuist is aangesloten. Deze garantie geldt niet voor:
 - alle schade aan het product die het gevolg is van onjuist onderhoud
 - elk product dat is veranderd of aangepast
 - elk product waar de oorspronkelijke identificatie (handelsmerk, serienummer) is beschadigd, gewijzigd of verwijderd
 - alle schade die is veroorzaakt door het niet opvolgen van de gebruiksaanwijzing
 - elk niet-CE-product
 - elk product waar een poging tot reparatie is gedaan door een niet-erkende professional of zonder voorafgaande toestemming door Techtronic Industries.
 - elk product dat is verbonden met een verkeerde voeding (ampereage, spanning, frequentie)
 - alle schade die is veroorzaakt door externe invloeden (chemisch, fysisch, schokken) of vreemde stoffen
 - normale slijtage van reserveonderdelen
 - ongepast gebruik, overbelasting van het gereedschap
 - gebruik van niet-goedgekeurde accessoires of onderdelen
 - gereedschapsaccessoires die bij het gereedschap worden geleverd of afzonderlijk zijn aangeschaft. Zulke uitzonderingen bevatten, maar niet beperkt tot schroevendraaibits, boorbits, slijpschijven, schuurpapier en zagen, laterale geleiding
 - Componenten (onderdelen en accessoires) die onderhevig zijn aan natuurlijke slijtage, waaronder maar niet beperkt tot service- en onderhoudssets, koolstofborstels, lagers, boorpenen, SDS boorbitbevestigingen of ontvangers, stroom snoeren, hulpgrepen, transporttassen, schuurplateaus, stofzakken, stofafvoerbuisen, vilttringen, pennen en veren van slagmoersleutels, etc.
- Voor onderhoud moet het product worden verzonden of gebracht naar een erkend servicestation van RYOBI die voor elk land staan vermeld in de volgende lijst met adressen voor servicestations. In sommige landen zal uw lokale RYOBI-dealer het product verzenden naar de RYOBI-serviceorganisatie. Wanneer u het product naar een servicestation van RYOBI verzendt, moet het product veilig worden verpakt zonder enige gevaarlijke inhoud, zoals benzine, met het adres van de afzender en vergezeld van een korte beschrijving van het defect.
- Een reparatie/vervanging die onder deze garantie valt is gratis. Het vormt geen verlenging of een nieuwe start van de garantietermijn. Verwisselde onderdelen of gereedschappen worden ons eigendom. In sommige landen moeten de verzendkosten door de afzender worden betaald. Uw wettelijke rechten die voortvloeien uit de aankoop van het gereedschap blijven onaangetast.
- Deze garantie is geldig binnen de Europese Gemeenschap, Zwitserland, Usland, Noorwegen, Liechtenstein, Turkije, Rusland en het Verenigd Koninkrijk. Buiten deze gebieden moet u contact opnemen met uw erkende RYOBI-dealer om vast te stellen of er een andere garantie van toepassing is.

GEAUTORISEERD ONDERHOUDSCENTRUM

Elk verzoek of probleem met het product kan worden gericht aan uw lokale geautoriseerde servicecentra (bezoek www.ryobitools.eu) of rechtstreeks aan: Techtronic Industries GmbH, Max Eyth Straße 10, 71364 Winnenden, Germany. Vermeld het serienummer en het type product dat op het etiket staat.

PT CONDIÇÕES DE APLICAÇÃO DA GARANTIA RYOBI®

Para além de quaisquer direitos previstos por lei resultantes da compra, este produto está coberto por uma garantia conforme descrição abaixo.

1. O período da garantia é de 24 meses para consumidores particulares e inicia-se na data de compra do produto. Esta data tem de ser documentada por uma factura ou por outra prova de compra. O produto foi concebido para e destina-se apenas a consumidores particulares e uso privado. Assim, não é dada garantia em caso de utilização por profissionais ou uso comercial.
2. Para uma parte da gama de ferramentas eléctricas (AC/DC) existe a possibilidade de prolongamento do período da garantia para além do período descrito acima, mediante registo no Web site www.ryobitools.eu. A elegibilidade das ferramentas para prolongamento do período da garantia é claramente visível nas lojas e/ou nas embalagens e está contida na documentação do produto. O utilizador final tem de fazer o registo online das suas ferramentas recém-adquiridas no prazo de 90 dias após a data de compra. O utilizador final pode fazer o registo para prolongamento da garantia no seu país de residência, desde que esteja listado no formulário de registo online e para os casos em que esta opção seja válida. Para além disso, os utilizadores finais têm de autorizar o armazenamento dos dados cujo preenchimento lhes for solicitado online e têm de aceitar os termos e as condições. O recibo de confirmação do registo é enviado por e-mail e, em conjunto com a factura original ostentando a data de compra, servirá de prova do prolongamento da garantia.
3. A garantia cobre todos os defeitos do produto durante o período da garantia devidos a defeitos de fabrico ou de material à data da compra. A garantia está limitada à reparação e/ou substituição e não inclui quaisquer outras obrigações, incluindo mas não se limitando a, perdas complementares ou indirectas. A garantia não é válida se o produto tiver sido utilizado incorrectamente, utilizado de forma contrária ao Manual de Instruções ou se as respectivas ligações tiverem sido feitas incorrectamente. Esta garantia não se aplica ao seguinte:
 - quaisquer danos ao produto que sejam resultado de manutenção incorrecta
 - qualquer produto que tenha sido alterado ou modificado
 - qualquer produto cujas marcações de identificação de origem (marca comercial, número de série) tiverem sido apagadas, alteradas ou retiradas
 - quaisquer danos causados pelo incumprimento do Manual de Instruções
 - qualquer produto que não seja da Comunidade Europeia
 - qualquer produto ao qual tenha sido feita, ou tenha sido feita, uma reparação por outra pessoa que não um profissional habilitado ou sem autorização prévia da Technonic Industries.
 - qualquer produto ligado a uma fonte de alimentação eléctrica incorrecta (Ampères, Voltagem e Frequência)
 - qualquer dano causado por influências externas (químicas, físicas, impactos) ou substâncias estranhas
 - desgaste e degradação normal de sobresselentes
 - utilização incorrecta, sobrecarga da ferramenta
 - utilização de acessórios ou peças não aprovados
 - acessórios para ferramentas eléctricas fornecidos com a ferramenta ou comprados em separado. Estas exclusões incluem mas não se limitam a, pontas de aparafusadora, brocas, discos abrasivos, papel de lixa e lâminas, guias lateral
 - Componentes (peças e acessórios) sujeitos a desgaste e degradação natural, incluindo mas não se limitando a, Kits de Assistência e Manutenção, escovas de carvão, roamentos, bucha, acessórios ou recepções de brocas SDS, cabos eléctricos, pegas auxiliares, estojos de transporte, placas de lixagem, sacos de poeiras, tubos de saída de poeiras, anilhas de feltro, pinos e molas da aparafusadora de impacto, etc.
4. Para assistência, o produto tem de ser enviado para, ou apresentado em, um posto de assistência autorizado RYOBI, conforme listado para cada país na lista de moradas de postos de assistência seguinte. Nalguns países, o seu concessionário RYOBI local encarrega-se de enviar o produto para a organização de assistência RYOBI. Quando enviar um produto para um posto de assistência RYOBI, o produto deve ser embalado de forma segura, sem conter nenhuns conteúdos perigosos (por exemplo, gasolina), marcado com o endereço do remetente e acompanhado por uma breve descrição da avaria.
5. Uma reparação/substituição ao abrigo desta garantia é gratuita. Não constitui um prolongamento a, nem um novo início de, o período da garantia. As peças ou ferramentas substituídas tornam-se propriedade nossa. Nalguns países, o remetente terá de pagar os custos de entrega ou a remessa postal. Os seus direitos previstos por lei resultantes da compra da ferramenta mantêm-se inalterados.
6. Esta garantia é válida na Comunidade Europeia, Suíça, Áustria, Noruega, Liechtenstein, Turquia, Rússia e Reino Unido. Fora destas áreas, entre em contacto com o seu concessionário autorizado RYOBI para determinar se existe outra garantia aplicável.

CENTRO DE ASSISTÊNCIA AUTORIZADO

Qualquer pedido ou problema relacionado com o produto pode ser encaminhado para os seus centros de reparação autorizados locais ([visite www.ryobitools.eu](http://www.ryobitools.eu)) ou directamente para: Technonic Industries GmbH, Max Eyth Straße 10, 71364 Winnenden, Germany. Indique o número de série e o tipo de produto impressos na etiqueta.

DA RYOBI® BETINGELSER FOR GARANTI

Udover lovbestemte rettigheder, som resulterer af købet, er dette produkt dækket af en garanti, som anført herunder.

1. Garantiperioden er 24 måneder for forbrugere og begynder på den dato, som produktet blev købt. Denne dato skal dokumenteres af en faktura eller andet bevis for køb. Produktet er udelukkende designet og dedikeret til forbrugere og privat brug. Så der ydes ingen garanti i tilfælde af professionel eller kommerciel brug.
2. Der er en mulighed for at forlænge garantiperioden for en del af udvalget af elværktøj (AC/DC), hen over den ovenfor beskrevne periode vha. registrering på hjemmesiden www.ryobitools.eu. Berettigelsen af værktøjet til forlængelse af garantiperioden er tydeligt vist i butikker og/eller på emballage/og indeholdt i produktokumentationen. Slutbrugeren skal registrere hans/hendes nykøbte elværktøj online indenfor 90 dage efter købsdatoen. Slutbrugeren kan registrere sig for den forlængede garanti i sit land, hvis han/hun er opført på den online registreringsformular, hvor denne mulighed er gyldig. Derudover skal slutbrugere give deres samtykke til at opbevare data, som er påkrævet at indtaste online, og de er nødt til at acceptere vilkår og betingelser. Registreringsbekræftelseskvitteringen, som sendes ud på e-mail, og den originale faktura, som viser købsdatoen, vil fungere som bevis for den forlængede garanti.
3. Garantien dækker alle defekter, som et produkt måtte have i løbet af garantiperioden, og som skyldes produktionsfejl eller materialefejl på købsdatoen. Garantien er begrænset til reparation og/eller udskriftning og inkluderer ikke andre forpligtelser, inklusiv men ikke begrænset til tilfældige skader eller følgeskader. Garantien er ugyldig, hvis produktet er blevet misbrugt, brugt uden at overholde vejledningen, eller det er blevet forkert tilsluttet. Denne garanti gælder ikke:
 - Beskadigelse af produktet, som er et resultat af uegnet vedligeholdelse
 - Et produkt der er blevet ændret eller modificeret
 - Et produkt hvor de originale identifikationsmærkninger (varemærke, serienummer) er blevet ødelagt, ændret eller fjernet.
 - Enhver beskadigelse forårsaget af manglende overholdelse af vejledningen
 - Ethvert ikke CE-produkt
 - Ethvert produkt som er blevet forsøgt repareret af en ukvalificeret professionel eller uden tidligere autorisation af Technonic Industries.
 - Ethvert produkt som er tilsluttet uegnet strømforsyning (ampere, spænding, frekvens)
 - Enhver skade forårsaget af eksternt påvirkning (kemisk, fysisk, chok) eller fremmedelementer
 - Normal slid på reservedele
 - Uegnet brug, overbelastning af værktøjet
 - Brug af ikke-godkendt tilbehør eller dele
 - Elværktøjstilbehør som leveres med værktøjet eller købes separat. Sådanne undtagelser inkluderer men er ikke begrænset til skruetrækkerbits, bor, bits, silbeskiver, sandpapir og klinger, sidestyk
 - Komponenter (dele og tilbehør) som er udsat for naturligt slid og æld, inklusiv men ikke begrænset til Service- og vedligeholdelsesæt, kulbørster, lejer, bøsninger, påsætning eller modtagelse af SDS-bor. El ledning, hjælpehåndtag, transporttaske, sandplade, støvstøvslange, støvdætningslange, filtskiver, nåle og fjedre slagogle etc.
4. For eftersyn skal produktet sendes til eller præsenteres for en RYOBI-autoriseret service værksted, som er opført for hvert land i den følgende liste over service værksted adresser. I nogle lande påtager din lokale RYOBI-forhandler sig ansvaret for at sende produktet til RYOBI-serviceorganisationen. Når et produkt sendes til en RYOBI-service værksted, skal det pakkes sikkert ind uden noget farligt indhold som benzin, mærkes med afsenders adresse og med en kort beskrivelse af fejlen.
5. En reparation/erstatning under denne garanti er gratis. Den udgør ikke en forlængelse eller en ny start på garantiperioden. Udvædsede dele eller værktøjer bliver vores ejendom. I nogle lande skal leveringsafgifter eller porto betales af afsenderen. Dine lovbestemte rettigheder i forbindelse med købet forbliver uanfægtede
6. Denne garanti gælder i EU, Schweiz, Island, Norge, Liechtenstein, Tyrkiet, Rusland og Storbritannien. Udover disse områder bedes du kontakte din autoriserede RYOBI-forhandler for at afgøre, om en anden garanti gælder.

AUTORISEREDE SERVICE/VERKSTEDER

Enhver anmodning eller problem angående produktet kan adresseres til dine lokale autoriserede servicecentre (gå til www.ryobitools.eu) eller direkte til: Technonic Industries GmbH, Max Eyth Straße 10, 71364 Winnenden, Germany. Angiv serienummer og produkttype, der er trykt på etiketten.

SV RYOBI® ANVÄNDNINGSVILLKOR FÖR GARANTI

Förutom eventuella lagstadgade rättigheter som uppstår genom köpet, täcks den här produkten av en garanti som anges nedan.

- Garantiperioden är 24 månader för konsumenter och börjar gälla från det datum då produkten köptes. Detta datum måste dokumenteras på sin faktura eller annat köpbevis. Produkten är utformad och avsedd för konsumenter och privat bruk. Därmed tillhandahålls ingen garanti vid yrkesmässigt eller kommersiellt bruk.
- Det finns möjlighet att förlänga garantiperioden för en del av utbudet för elverktyg (AC/DC) under den period som anges ovan genom att använda registreringen på webbplatsen www.ryobitools.eu. De verktyg som är berättigade till en förlängning av garantiperioden visas tydligt i butikler och/eller på förpackningen/och anges i produktdokumentationen. Slutavvändaren behöver registrera hans/hennes nyförvärvade verktyg online inom 30 dagar från köpdatumet. Slutavvändaren kan registrera sig för den förlängda garantin i det land där han/hon bor om landet finns angivet i registreringsformuläret online och där detta alternativ är giltigt. Dessutom måste slutavvändaren ge sitt medgivande till lagring av data vilket krävs vid registrering online samt acceptera villkoren. Bekräftelsekvittot för registreringen som skickas ut via e-post och originalfakturan som visar köpdatumet kommer att gälla som bevis för den förlängda garantin.
- Garantin täcker alla produktdefekter under garantiperioden som beror på brister i utförande eller material vid köpdatumet. Garantin är begränsad gällande reparation och/eller utbyte och inkluderar inte några skyldigheter inklusive men inte begränsat till oförutsedda skador eller följdskador. Garantin är inte giltig om produkten har missbrukats, använts i strid med bruksanvisningen eller inte anslutits på rätt sätt. Denna garanti täcker inte:
 - eventuella skador på produkten som uppstått till följd av felaktigt underhåll
 - produkter som har ändrats eller modifierats
 - produkter där ursprungliga identifieringsmärkingar (varumärke, serienummer) har målats över, ändrats eller tagits bort
 - eventuella skador som uppstått till följd av allt bruksanvisningen inte efterföljts
 - alla icke CE-produkter
 - eventuella produkter som har försökts repareras av en icke-kvalificerad yrkesman eller utan föregående medgivande från Technronic Industries.
 - eventuella produkter som anslutits till felaktig ström försörjning (ampere, volt, frekvens)
 - eventuella skador som uppstått till följd av yttre påverkan (kemisk, fysisk, stötar) eller främmande ämnen
 - normalt slitage av reservdelar
 - olämplig användning, överbelastning av verktyget
 - användningen av icke-godkända tillbehör eller delar
 - tillbehör till elverktyg som medföljer verktyget eller köpts separat. Sådana undantag inkluderar men är inte begränsat till skruvsmejselbit, borrbit, slipskivor, sandpapper, blad och sidoskena
 - Komponenter (delar och tillbehör) är föremål för naturligt slitage, inklusive men inte begränsat till service- och underhållsatsar, kolborstar, kullager, chock, tillbehör eller tillhörande SDS-borrit, strömsladd, hjälphandtag, transportväska, slippplatta, damppåse, dammutbudsbyrå, filterbrick, stift och fjädrar till mutterdragare osv.
- Vid service måste produkten skickas eller uppvisas för en RYOBI-aktiverad servicecenter som står angiven för varje land i följande adresslista över servicecenter. I vissa länder tar din lokala RYOBI-återförsäljare på sig ansvaret att skicka produkten till RYOBI-serviceorganisationen. När en produkt skickas till en RYOBI-servicecenter, ska produkten paketeras säkert utan något farligt innehåll såsom bensin, markeras med avsändarens adress samt en kort beskrivning av felet.
- En reparation/ett utbyte under denna garanti är kostnadsfri. Det utgör inte en förlängning eller förnyelse av garantiperioden. Utbyta delar eller verktyg blir vår egendom. I vissa länder måste leveranskostnader eller porto betalas av avsändaren. Dina lagstadgade rättigheter som härrör från köpet av verktyget förblir opåverkade
- Denna garanti är giltig i Europeiska gemenskapen, Schweiz, Island, Norge, Liechtenstein, Turkiet, Ryssland och Storbritannien. Utanför dessa länder, kontakta din auktoriserade RYOBI-återförsäljare för att avgöra om en annan garanti gäller.

AUKTORISERAT SERVICECENTR

Varje begäran eller problem avseende produkten kan adresseras till ditt lokala auktoriserade servicecenter (besök www.ryobitools.eu) eller direkt till: Technronic Industries GmbH, Max Eyth Straße 10, 71364 Winnenden, Germany. Ange serienumret och produkttypen som anges på etiketten.

FI RYOBI® TAKUUN SOVELTAMISEHDOT

Tällä luotteella on oston luomien lakisääteisten oikeuksien ohella alla mainitun mukainen takuu.

- Takuun kesto on kuluttajille 24 kuukautta ja takuaika alkaa tuotteen ostohetkestä. Tämän päivämäärän tulee lukea laskussa tai muussa ostotositteessa. Tuote on suunniteltu ja tarkoitettu vain kuluttajien ja yksityiseen käyttöön. Takuu ei siis kata ammatti- eikä kauppalaista käyttöä.
- Joidenkin sähkötyökalujen (AC/DC) takuun kesto on mahdollista laajentaa yllä mainittua kestoä pidemmäksi verkkoistuvuuden www.ryobitools.eu rekisteröinnin kautta. Työkalujen kelpoisuus takuujakson laajennukseen näkyy selkeästi myymälässämme jätin pakkauskassissa jätin tämä tieto sisältyy tuotetodokumentaatio. Loppukäyttäjän täytyy rekisteröidä vasta hankittu työkalu internetissä 30 päivän kuluessa ostopäivämäärästä. Loppukäyttäjän voi rekisteröidä laajennettua takuun kotimaassaan, jos se on luettavana online-rekisteröintiosakkeessa, jossa mainitaan, missä tämä vaihtoehto on voimassa. Loppukäyttäjän täytyy lisäksi hyväksyä tietojen tallennus, jotka heidän täytyy antaa online-tilassa sekä ehdot. Rekisteröinnin vahvistuskuitti, joka lähetetään sähköpostitse, ja alkuperäinen ostopäivämäärän ilmaiseva lasku toimivat laajennettua takuun tositteina.
- Takuu kattaa kaikki tuotteen takuaikaan tulevat vikat, joiden aiheuttajina ovat tuotteessa ostopäivänään olleet valmistus- tai materiaali- vikat. Takuu on rajoitettu korjaukseen ja/tai vaihtoon eikä se sisällä mitään muita palveluita mukaan lukien satunnais- ja seurannaisvahinkoja, mutta rajoittamatta niihin. Takuu ei päde, jos tuotetta on käsitelty väärin, käyttöohjeiden vastaisesti tai jos se on liitetty virheellisesti. Tämä takuu ei kata:
 - virheellisestä huollosta johtuvia vaurioita
 - muunnettua tai muutettua tuotetta
 - tuotetta, jonka alkuperäiset tunnistusmerkinnät (tavaramerkki, sarjanumero) on turmeltu, muutettu tai poistettu
 - tämän käyttöoppaan laiminlyönnistä johtuvia vaurioita
 - ei-CE-tuotetta
 - tuotetta, jota on yrittänyt korjata epäpätevä ammattilainen tai joka on korjattu ilman Technronic Industriesin ennakkokulpa.
 - tuotetta, joka on liitetty virheelliseen teholähteeseen (ampeirit, jännite, taajuus)
 - ulkoisten vaikutusten (kemiallinen, fyysinen, iskut) tai vieraiden aineiden aiheuttamaa vauriota
 - normaaleja kuluvia varaosia
 - virheellistä käyttöä, työkalun ylikuormitusta
 - ei-hyväksytyjen tarvikkeiden tai osien käyttöä
 - sähkötyökalun tarvikkeita, jotka on toimitettu työkalun mukana tai ostettu erikseen. Poislujettuja osia ovat ruuvasterät, poranterät, hiomaalakit, hiekkapaperi ja terät, sivuhajain, näihin kuitenkään rajoittamatta
 - Luonnollisesti kuluvia komponentteja (osia tai tarvikkeita), joihin sisältyvät huolto- ja kunnossapitosetit, hiiliharjat, laakerit, terästäkät, SDS-porien kiinnittin tai istukka, virtajohto, apukahva, kuljetuskotelo, hiomaalakit, pölypussi, pölypoistoputki, huopativusteet, iskunvääntimen pultit ja jouset yms. näihin kuitenkään rajoittamatta.
- Tuote on lähetettävä huollettavaksi valtuutettuun RYOBI-huoltoon tai näytettävä siellä. Niden osoitteet kussakin maassa löytyvät seuraavasta luettelosta. Joissakin maissa paikallinen RYOBI-jälleenmyyjä huolehtii tuotteen lähteyksestä RYOBI-huolto-organisaatioon. Kun tuote lähetetään RYOBI-huoltoon, se täytyy pakata hyvin ilman vaarallisia aineita, kuten polttoainetta, ja pakkaukseen täytyy merkitä lähetäjän nimi sekä vian lyhyt kuvaus.
- Takuun kattama korjaus/vaihto on maksuton. Se ei tarkoita takuujakson laajennusta tai alkamista alusta. Vaihdetut osat tai työkalut siirryvät valmistajan omistukseen. Joissakin maissa lähetäjän täytyy maksaa lähteyksustannukset tai postikulut. Työkalun oston luomat lakisääteiset oikeudet pysyvät koskemattomina
- Tämä takuu on voimassa Euroopan yhteisössä, Sveitsissä, Islannissa, Norjassa, Liechtensteinissä, Turkissa, Venäjällä ja Yhdistyneessä kuningaskunnassa. Ota näiden alueiden ulkopuolella yhteyttä omaan valtuutettuun RYOBI-jälleenmyyjään ja selvitä, onko jotain muuta takuuta.

VALTUUTETTU HUOLTO

Kaikki tuotteenne liittyvät pyynnöt tai kysymykset voidaan osoittaa paikallisille valtuutetuille huoltoilijoille (katso www.ryobitools.eu) tai suoraan osoitteeseen: Technronic Industries GmbH, Max Eyth Straße 10, 71364 Winnenden, Germany. Ilmoita tarraan painettu sarjanumero ja tuotetyyppi.

NO RYOBI® GARANTIBETINGELSER

I tillegg til eventuelle lovbestemte rettigheter som følger av kjøpet, er dette produktet dekket av en garanti som angitt nedenfor.

1. Garantiperioden er 24 måneder for konsumenter og gjelder fra den datoen som produktet ble kjøpt. Denne datoen skal dokumenteres med en faktura eller annet kjøpsbevis. Produktet er designet og beregnet kun til konsument- og privat bruk. Så det gis ingen garanti ved profesjonell eller kommersiell bruk.
2. For en del av utvalget av elektriske verktøy (AC/DC) er det mulighet til å utvide garantiperioden i den perioden som er beskrevet ovenfor ved bruk av registrering på nettsidene www.ryobitools.eu. Kvalifisering av verktøyene for en utvidelse av garantiperioden er tydelig vist i butikker og/eller på pakningen i og finnes innen produktokumentasjonen. Sluttbrukeren må registrere sine nylig anskaffede verktøy online innen 30 dager etter kjøpsdato. Sluttbrukeren kan registrere seg for den utvidede garantien i sitt land hvis det er opplistet på online registrerings skjemaet der dette alternativet er gyldig. Videre må sluttbrukere gi sitt samtykke til oppbevaring av dataene som kreves for å gå online, og de må godta vilkår og betingelser. Registreringsbekreftelsen, som sendes ut på e-post, og den originale fakturaen som viser kjøpsdato, vil tjene som bevis for den utvidede garantien.
3. Garantien dekker alle defekter i produktet under garantiperioden på grunn av defekter i uforfeste eller materiale på kjøpsdato. Garantien er begrenset til å reparere og/eller erstatte og inkluderer ikke noen andre forpliktelser, inkludert, men ikke begrenset til, tilfeldige eller følgesmessige skader. Garantien er ikke gyldig hvis produktet har blitt misbrukt, brukt på annen måte enn det som beskrives i bruksanvisningen eller er koblet til på feil måte. Denne garantien gjelder ikke for:
 - enhver skade på produktet som er resultat av utilstrekkelig vedlikehold
 - ethvert produkt som har blitt endret eller modifisert
 - ethvert produkt der de originale identifiseringsmerkene (varemerke, serienummer) har blitt uleselig, er endret eller fjernet
 - enhver skade som forårsaker av ikke-overholdelse av instruksjonshåndboken
 - ethvert ikke-CE-produkt
 - ethvert produkt som har blitt forsøkt reparert eller av en ikke-kvalifisert fagperson eller uten tidligere autorisasjon fra Technronic Industries.
 - ethvert produkt tilkoblet feil strømforsyning (ampere, spenning, frekvens)
 - enhver skade som er forårsaket av eksterne påvirkninger (kjemiske, fysiske, støt) eller fremmede stoffer
 - normal slitasje og sliteseravedeler
 - feil bruk, overbelastning av verktøyet
 - bruk av ikke-godkjent tilbehør eller deler
 - Elektrisk verktøytilbehør levert med verktøyet eller kjøpt separat. Slike ekskluderinger, inkludert, men ikke begrenset til skrutrekkerbits, drillbits, slipedisker, sandpapper og blader, lateral føring
 - Komponenter (deler og tilbehør) som er utsatt for naturlig slitasje, inkludert, men ikke begrenset til service- og vedlikeholdssett, karbonbørster, lagre, chuck, SDS-borrbitefeste eller -mottak, strømledning, hjelpehåndtak, transportbæreveske, sandingsplate, støvpose, støvutslippsrør, filtpakninger, støttakkelpinner og fjær, osv.
4. For service må produktet sendes eller fremlegges for en RYOBI-autorisert servicestasjon opplistet for hvert land i den følgende listen over servicestasjonsadresser. I noen land sender den lokale RYOBI-forhandleren produktet til RYOBI serviceorganisasjonen. Ved å sende et produkt til en RYOBI servicestasjon skal produktet være sikkert pakket uten noe farlig innhold, slik som bensin, merket med senderens adresse og fulgt av en kort beskrivelse av feilen.
5. En reparasjon/erstatning under denne garantien er gratis. Den utgjør ingen forlengelse eller en ny start av garantiperioden. Utvekslede deler eller verktøy blir vår eiendom. I noen land vil leveringskostnader eller franking måtte betales av senderen. Dine lovbestemte rettigheter som oppstår fra kjøp av verktøyet forblir uberørt.
6. Denne garantien er gyldig i EU, Sveits, Island, Norge, Liechtenstein, Tyrkia, Russland og Storbritannia. Utenfor disse områdene ta kontakt med din autoriserte RYOBI-forhandler om en annen garanti gjelder.

AUTORISERT SERVICESENTER

Onn er forespørsel eller problem med produktet kan henvises til de lokale autoriserte serviceentrene (se www.ryobitools.eu) eller direkte til: Technronic Industries GmbH, Max Eyth Straße 10, 71364 Winnenden, Germany. Angi serienummer og produkttype som er trykket på etiketten.

RU УСЛОВИЯ ПРИМЕНЕНИЯ ГАРАНТИИ НА ПРОДУКЦИЮ RYOBI®

Помимо законных прав, возникающих при покупке, данное изделие покрывается гарантией в соответствии с приведенными ниже пунктами.

1. Гарантийный период для покупателя составляет 24 месяца с даты покупки изделия. Дата покупки должна быть подтверждена полностью заполненным гарантийным талоном и чеком о покупке. Данное изделие предназначено только для частного использования покупателем. Поэтому гарантия не распространяется на использование в профессиональных или коммерческих целях.
2. Предусмотрена возможность продления для части изделий линейки электронинструментов (AC/DC) гарантийного периода с помощью регистрации на сайте www.ryobitools.eu. Право инструмента на продление гарантийного периода четко указано в магазинах и/или на упаковке и/или содержится в сопутствующей инструменту документации. Конечный пользователь должен зарегистрировать свой приобретенный инструмент в течение 30 дней с даты покупки. Конечный пользователь может зарегистрировать свой инструмент на продление гарантии в стране своего проживания, если она указана в форме онлайн-регистрации. Кроме того, конечный пользователь должен дать свое согласие на хранение данных, которые необходимо ввести в онлайн-форму и принять правила и условия. Подтверждение регистрации, которое вы получите по электронной почте, заполненный гарантийный талон и оригинальный чек, в котором указана дата покупки, будут служить доказательством продленной гарантии.
3. Гарантия покрывает в течение гарантийного периода все дефекты качества или материала изделия на дату покупки. Гарантия ограничена ремонтом и/или заменой и не включает никакие другие обязательства, включая, но не ограничиваясь случайными или косвенными убытками. Гарантия становится недействительной, если изделие использовалось не по назначению, вопреки инструкциям, данным в Руководстве пользователя или было неправильно подключено. Настоящая гарантия не распространяется на:
 - любые повреждения изделия в результате неправильного технического обслуживания или недостаточного ухода за инструментом
 - любые изделия, подвергшиеся изменениям и модификации
 - любые изделия, оригинальные идентификационные отметки которого (торговая марка, серийный номер) были повреждены, изменены или удалены
 - любые повреждения, вызванные несоблюдением инструкций Руководства пользователя
 - любые изделия, не сертифицированные маркировкой "CE" для продажи в Европейском союзе
 - любые изделия, подвергшиеся попыткам ремонта неквалифицированным работником или без предварительного утверждения компанией Technronic Industries.
 - любые изделия, подключенные к неправильному источнику питания (сила тока, напряжение, частота)
 - любые повреждения, вызванные внешними воздействиями (химические, физические, удары) или посторонними веществами
 - естественный износ или повреждение деталей
 - несоответствующее использование, перегрузка инструмента
 - использование неутвержденных аксессуаров и неоригинальных запасных деталей
 - аксессуары электронинструментов, поставляемые с инструментом или приобретаемые отдельно. К этому списку относятся, но не исчерпывают его: сверла шуруповертов, дрелей, абразивные диски, наждачная бумага, лезвия и боковые направляющие
 - компоненты (детали и аксессуары), подверженные естественному износу и разрыву, включая, но не ограничиваясь наборы для технического обслуживания, угольные щетки, подшипники, патроны, переходники SDS, кабели питания, дополнительные ручки, футляры для транспортировки, шлифовальные поддоши, пылесборники, трубки для отвода пыли, волоочные шайбы, штыри и пружины ударных ключей и др.
4. Для проведения технического обслуживания изделие следует направлять в авторизованные сервисные центры RYOBI, указанные для каждой страны в приведенном ниже списке адресов станций сервисного обслуживания. В некоторых странах местные дилеры RYOBI отправляют изделия в сервисные организации RYOBI. При отправке изделия в сервисный центр RYOBI, изделие должно быть безопасно упаковано и не содержать никаких опасных веществ, таких как бензин, должен быть подписан адрес отправителя и сопровождаться кратким описанием неисправности.
5. Ремонт / замена проводится в рамках настоящей гарантии бесплатно. Он не продлевает гарантию и не начитает новый гарантийный период. Замененные детали и инструменты становятся нашей собственностью. В некоторых странах отправитель должен оплачивать стоимость отправки. Ваши законные права, возникшие при покупке инструмента, остаются неизменными.
6. Настоящая гарантия действительна в Европейском Сообществе, Швейцарии, Испании, Норвегии, Лихтенштейне, Турции, России и Великобритании. Вне указанных территорий обращайтесь к своему авторизованному дилеру RYOBI, чтобы узнать, применяются ли условия каких-либо других гарантий.

УПОЛНОМОЧЕННЫЙ СЕРВИСНЫЙ ЦЕНТР

При возникновении проблем с изделием обращайтесь в один из региональных авторизованных сервисных центров (см. www.ryobitools.eu) или напрямую: Technronic Industries GmbH, Max Eyth Straße 10, 71364 Winnenden, Germany. Укажите серийный номер и тип изделия, указанные на табличке.

PL WARUNKI GWARANCJI RYOBI®

Oprócz praw ustawowych wynikających z zakupu produkt jest objęty gwarancją, której warunki podano poniżej.

- Okres gwarancyjny wynosi 24 miesiące dla konsumentów i rozpoczyna się w dniu zakupu produktu. Datę zakupu należy udokumentować fakturą lub innym dowodem zakupu. Produkt został zaprojektowany i jest przeznaczony do użytku konsumenckiego i prywatnego. W związku z tym gwarancja nie obejmuje zastosowań profesjonalnych i komercyjnych.
- Istnieje możliwość wydużenia okresu gwarancyjnego dla części asortymentu narzędzi ręcznych z napędem mechanicznym (AC/DC) poprzez zarejestrowanie produktu na stronie internetowej www.ryobitools.eu. Kwalifikowalność narzędzi do wydużenia okresu gwarancyjnego jest wyraźnie określona w sklepach i/ lub na opakowaniu oraz w dokumentacji produktu. Użytkownik końcowy musi zarejestrować nowe kupione narzędzia online w ciągu 30 dni od daty zakupu. Użytkownik końcowy może zarejestrować się w celu przedłużenia gwarancji w swoim kraju zamieszkania, jeżeli jest on wymieniony w formularzu rejestracji online, gdzie opcja ta obowiązuje. Ponadto użytkownicy końcowi muszą wyrazić zgodę na przechowywanie danych, wprowadzanych na stronie internetowej i zaakceptować regulamin. Dowodem wydużenia gwarancji jest wysłane pocztą elektroniczną potwierdzenie rejestracji i oryginalny faktury potwierdzającej datę zakupu.
- Gwarancja obejmuje wszystkie wady produktu ujawnione w okresie gwarancyjnym wynikające usterek wykonania lub materiału obecných w dniu zakupu. Gwarancja jest ograniczona do naprawy i/lub wymiany i nie obejmuje żadnych innych zobowiązań, w tym między innymi odpowiedzialności za szkody przypadkowe lub wtórne. Gwarancja nie obowiązuje, jeżeli produkt był nieprawidłowo używany, używany niezgodnie z instrukcją lub nie był prawidłowo podłączony. Gwarancja nie obejmuje:
 - uszkodzenia produktu wynikającego z nieprawidłowej konserwacji,
 - produktu, który został zmieniony lub zmodyfikowany,
 - produktu, którego oryginalne oznaczenie (znak towarowy, numer seryjny) zostało zniszczone, zmienione lub usunięte,
 - jakichkolwiek uszkodzeń wynikających z nieprzestrzegania instrukcji,
 - jakiegokolwiek produktu bez certyfikatu CE,
 - jakiegokolwiek produktu, który próbowano naprawiać z pomocą niewykwalifikowanej osoby lub bez uzyskania wcześniejszej zgody firmy Techntronic Industries.
 - jakiegokolwiek produktu podłączonego nie prawidłowego źródła zasilania (nieprawidłowe natężenie prądu, napięcie, częstotliwość),
 - jakichkolwiek uszkodzeń spowodowanych wpływem czynników zewnętrznych (chemicznych, fizycznych, drgań) lub substancji obcych,
 - normalnego zużycia części zamiennych,
 - nieprawidłowego użycia, przeciążenia narzędzia,
 - stosowania niezatwierdzonych akcesoriów lub części,
 - akcesoriów narzędzi ręcznych z napędem mechanicznym dostarczonych z narzędziem lub kupionych oddzielnie. Takie wyluczenia obejmują, między innymi, wymienne ostrza wkrętaka, wiertła, tarcze ciernie, papier ścierny i ostrza, prowadnice boczne.
 - elementów (części i akcesoriów) podlegających naturalnemu zużyciu obejmujących, między innymi, zestawy do konserwacji i serwisu, szczotki węglowe, łożyska, uchwyt, przrystawkę wiertła SDS, gniazdo, przewód zasilania, uchwyty pomocniczy, skrzynię transportową, płytę szlifierską, worek pyłowy, rurę odrowadzania pyłu, podkładki filcowe, kołki i sprężyny klucza udarowego itp.
- W celu serwisowania produkt należy wysłać lub okazać w autoryzowanym punkcie serwisowym RYOBI znajdującym się na przedstawionym poniżej wykazie punktów serwisowych w poszczególnych krajach. W niektórych krajach lokalny dystrybutor produktów RYOBI podejmuje się wysyłki produktu do centrum serwisowego RYOBI. W przypadku wysyłki do punktu serwisowego RYOBI produkt — pozbawiony jakichkolwiek niebezpiecznych substancji, na przykład benzyny — należy bezpiecznie zapakować i dołączyć adres nadawcy oraz krótki opis usterki.
- Naprawa/wymiana w ramach niniejszej gwarancji jest bezpłatna. Nie stanowi jednak o przedłużeniu lub rozpoczęciu od nowa biegu okresu gwarancyjnego. Wymienione części lub narzędzia stają się naszą własnością. W przypadku niektórych krajów nadawca będzie musiał uregulować koszty dostawy lub opłaty pocztowe. Prawa ustawowe wynikające z zakupu narzędzia pozostają niezmienione.
- Niniejsza gwarancja obowiązuje we Wspólnocie Europejskiej, Szwajcarii, na Islandii, w Norwegii, a także w Liechtensteinie, Turcji, Rosji oraz Zjednoczonym Królestwie Wielkiej Brytanii i Irlandii Północnej. Poza tymi obszarami należy skontaktować się z autoryzowanym dostawcą produktów RYOBI i ustalić, czy obowiązuje inna gwarancja.

AUTORYZOWANY PUNKT SERWISOWY

Wszelkie zapytania i problemy z produktem można zgłaszać do lokalnych autoryzowanych centrów serwisowych (patrz www.ryobitools.eu) lub bezpośrednio do: Techntronic Industries GmbH, Max Eyth Straße 10, 71364 Winnenden, Germany. Prosimy o podanie wydrukowanego na ekranie numeru seryjnego oraz typu produktu.

CS ZÁRUČNÍ PODMÍNKY RYOBI®

Kromě zákonných práv vyplývajících z koupě výrobku se na tento výrobek vztahuje také níže uvedené záruka.

- Záruční doba pro spotřebitele je 24 měsíců a začíná datem nákupu výrobku. Datum musí být zaznamenáno na fakturě nebo jiném dokladu o koupi. Tento výrobek je navržen a určen pouze pro soukromé účely spotřebitelů. Záruka se tedy nevztahuje na profesionální nebo komerční využití výrobku.
- U některých elektrických nástrojů (AC/DC) je možné záruční dobu prodloužit. K tomu je nutná registrace na stránkách www.ryobitools.eu. Možnost prodloužené záruční doby výrobků je jasně uvedena v prodejních, popř. na obalech nebo v dokumentech o výrobku. Koncový uživatel musí svůj nově nástroj zaregistrovat online do 30 dnů od data nákupu. Koncový uživatel se může k prodloužené záruční době zaregistrovat v zemi trvalého pobytu, pokud je tato uvedena na internetovém registračním formuláři u výrobku, kde je tato možnost dostupná. Koncový uživatel může dále souhlasit s uložení osobních údajů, která musí zadat na internetu, a přijmout obchodní podmínky. E-mail s potvrzením registrace a původní faktura s datem koupě poslouží jako důkaz o prodloužené záruce.
- Záruka se vztahuje na veškeré vady na výrobku v rámci záruční doby způsobené výrobními vadami nebo vadami materiálu v době koupi. Záruka je omezena na opravu, popřípadě výměnu a nezahrnuje žádné další povinnosti, včetně mimo jiné vedlejších či následných odškodnění. Záruka neplatí při použití výrobku k nevhodným účelům, v rozporu s uživatelskou příručkou nebo při nesprávném zapojení. Záruka se nevztahuje na:
 - veškeré produkty, které byly pozměněny nebo upraveny
 - veškeré produkty, kde byly původní identifikační prvky (obchodní značka, sériové číslo) poňeny, pozměněny nebo odstraněny
 - veškeré škody způsobené nedodržením pokynů uživatelské příručky
 - veškeré produkty bez CE certifikace
 - veškeré produkty, které se pokusil opravit nequalifikovaný odborník nebo opravy bez předchozího svolení společnosti Techntronic Industries.
 - veškeré produkty zapojené do nesprávného elektrického zdroje (proud, napětí, frekvence)
 - veškeré škody způsobené externími vlivy (chemickými, fyzickými, nárazy) nebo cizími látkami
 - běžné opotřebování dílů
 - nevhodné použití, přetěžování nástroje
 - použití neschválených příslušenství nebo dílů
 - příslušenství k elektrickému nástroji poskytnuté s nástrojem nebo zakoupené samostatně. Tyto výjimky se vztahují mimo jiné na šroubováky, vrtáky, brusné disky, brusný papír a čepele, postranní vidlice
 - komponenty (díly a příslušenství) podléhající přirozenému opotřebování, včetně mimo jiné servisních sad, karbonových kartáčů, ložisek, sklíčidla, SDS nástavce na vrtací bity, napájecího kabelu, pomocné rukojeti, přepravního pouzdra, brusné desky, prachového vaku, výfukové prachové trubice, plstěných podložek, západek a pružin rážového utahovačů atd.
- K provedení servisu musí být výrobek zaslán nebo předán do autorizovaného servisního centra společnosti RYOBI, jejichž adresy jsou uvedeny podle zemi v seznamu servisních center. V některých zemích za vás výrobek pošle servisní organizaci RYOBI sám prodávce výrobků této značky. Při zaslání výrobku do servisního centra RYOBI je potřeba výrobek bezpečně zabalit bez nebezpečného obsahu jako benzín, opatřit adresou odesílatele a přiložit krátký popis závady.
- Oprava, popř. výměna v rámci této záruky je zdarma. Neznamená to prodloužení nebo začátek nové záruční lhůty. Vyměněné díly nebo nástroje přejdou do našeho vlastnictví. V některých zemích platí poštovné odesílatele. Vaše zákonná práva vyplývající z koupě tohoto nástroje zůstávají nedotčena.
- Tato záruka platí v Evropském společenství, Švýcarsku, na Islandu, v Norsku, Lichtenštejnsku, Turecku, Rusku a Spojeném království. Mimo tato území kontaktujte autorizovaného prodávce značky RYOBI, který zjistí, zda se na výrobek vztahuje jiná záruka.

POVĚŘENÉ SERVISNÍ STŘEDISKO

S požadavky nebo problémy týkajícími se tohoto výrobku se můžete obracet na místní pověřené servisní středisko (podle www.ryobitools.eu) nebo přímo na: Techntronic Industries GmbH, Max Eyth Straße 10, 71364 Winnenden, Germany. Uveďte výrobní číslo a druh výrobku ze štítku.

(HU) A RYOBI® GARANCIA ALKALMAZÁSÁNAK FELTÉTELEI

A vásárlásból adódó törvényben rögzített jogok mellett a termékre az alábbi garancia vonatkozik.

1. A fogyasztói garancia tartama 24 hónap, mely a termék vásárlásának napjával kezdődik. Ezt a dátumot számláló vagy a vásárlást igazoló egyéb dokumentummal kell bizonyítani. A termék rendeltetése csak fogyasztói és magánélelt használat. Ezért professzionális vagy kereskedelmi használat esetén a garancia nem érvényes.
2. A szerszámépek (egyenáramú/váltóáramú) egy részénél a garancia időtartama a www.ryobitools.eu weblapon regisztrálva meghosszabbítható. Az áruházakban, a csomagolásban, illetve a termék dokumentációjában egyértelműen jelezzük van, hogy az adott termék garanciája meghosszabbítható-e. A végfelhasználónak a vásárlás dátumától számított 30 napon belül regisztrálnia kell az újonnan vásárolt szerszámmal. A végfelhasználó akkor regisztrálhat a kiterjesztett garanciára, ha az ország, ahol lakik, fel van sorolva az online regisztrációs úrlapon azon országok között, ahol választható ez az opció. Ezenkívül a végfelhasználónak bele kell egyeznie az online regisztrálás során szükséges adatok tárolásába, és el kell fogadnia a felhasználási feltételeket. A kiterjesztett garanciát a regisztráció beérkezésétől e-mailben küldött visszajelzésig és a vásárlás dátumát tartalmazó eredeti számla igazolja.
3. A garancia a termék vásárlásakor fennálló, a gyártás során keletkezett hibákra és anyaghibákra érvényes a garanciális időtartamon belül. A garancia csak a javításra/cserére korlátozódik, és nem terjed ki semmilyen egyéb kötelezettségre, nem kizárólagosan ideértve a véletlen vagy szándékos rongálást. A garancia nem érvényes, ha a terméket nem megfelelően, a használati utasításban foglaltakkal ellentétben, illetve nem megfelelően csatlakoztatva használták. A garancia nem vonatkozik:
 - a terméket a nem megfelelő karbantartás következtében ért károsodásra
 - megváltoztatott vagy átalakított termékre
 - olyan termékre, melyen az eredeti azonosítottak (védjegy, sorozatszám) megrongáltak, megváltoztatták vagy eltávolították
 - a használati utasítás be nem tartásából eredő kárra
 - CE jelöléssel nem rendelkező termékekre
 - olyan termékre, melyet nem képzett, illetve a Techtronic Industries által nem feljogosított szerelő javított
 - nem megfelelő (áramerősségű, feszültségű, frekvenciájú) áramforrásra csatlakoztatott termékre
 - külső (vegyi, fizikai, ütés) hatásokból vagy idegen anyagokból eredő károokra
 - a cserélhető alkatrészek természetes kopására és elhasználódására
 - a szerszámmal helytelen használatára, túlerhelésére
 - nem jóváhagyott tartozékok és alkatrészek használatára
 - a szerszámmal adott vagy külön megvásárolt tartozékokra. Ilyenek például (de nem kizárólag) a csavarhúzófejek, fűrészszárak, csiszolókorongok, csiszolópapír, kések, oldalirányú terelők.
 - A természetes kopásnak, elhasználódásnak kitett alkatrészek és kiegészítők, például (de nem kizárólag) szerviz- és karbantartókészletek, szénkefék, csapágyak, tokmány, SDS fűrészszár csatlakozója, tápkábel, segédfogantyú, szállítótok, csiszolólap, porzsák, porlevetető cső, ficalatték, ütőmóvós csavarbehajló gép csapszege és rugója stb.
4. A termék javításra el kell vinni egy meghatalmazott RYOBI szervizbe: ezeket az egyes országokhoz a következők listában találja. Egyes országokban a helyi RYOBI kereskedő vállalja a termék elszállítását a RYOBI szervizbe. A terméket veszélyes tartalom, például benzín nélküli csomagoló, a feladó címét feltüntetve, a hiba rövid leírásával együtt küldje el a RYOBI szervizbe.
5. A jelen garancia hatálya alatt végzett javítás, illetve csere ingyenes. Nem jelent a garanciális időtartam újraindulását. A kicserélt alkatrészek és szerszámok a mi tulajdonunkba kerülnek. Egyes országokban a szállítás vagy postázás költségét a feladó viseli. A bevétnek a szerszám megvásárlásából adódó törvényes jogai nem változnak.
6. Ez a garancia az Európai Közösségekben, Svájcban, Izlandon, Norvégiában, Liechtensteinben, Törökországban, Oroszországban és az Egyesült Királyságban érvényes. E területen kívül kérdezze meg a RYOBI forgalmazót, hogy milyen garancia van érvényben.

HIVATALOS SZERVIZKÖZPONT

Ha bármilyen kérésre vagy problémájára van a termékkel kapcsolatban, forduljon a helyi hivatalos szervizközponthoz (látogasson el a www.ryobitools.eu oldalra), vagy közvetlenül ide: Techtronic Industries GmbH, Max Eyth Straße 10, 71364 Winnenden, Germany. Adja meg a címkekre nyomtatott sorozatszámot és terméktípust.

(RO) CONDIȚII DE APLICARE A GARANȚIEI PENTRU PRODUSELE RYOBI®

În plus față de condițiile statutare rezultate din achiziționarea acestui produs, acesta este acoperit de garanția stipulată mai jos.

1. Perioada de garanție este de 24 de luni pentru consumatori și începe de la data achiziționării produsului. Data de începere a garanției trebuie demonstrată cu o factură sau altă dovadă a cumpărării produsului. Produsul este destinat și conceput doar pentru utilizare în scopuri personale. Din acest motiv, nu se oferă garanție pentru utilizarea sa în scop profesional sau comercial.
2. Există posibilitatea de extindere a perioadei de garanție pentru gama de unelte electrice (de CA/CC) peste perioada stipulată mai sus prin înscrierea produsului pe [website-ul www.ryobitools.eu](http://website-ul.ryobitools.eu). Eligibilitatea pentru perioada de extindere a garanției este afișată în mod clar în magazinere de vânzare și/sau pe ambalaj sau este inclusă în documentația livrată împreună cu produsul. Utilizatorul final este obligat să-și înregistreze produsul online în termen de maxim 30 de zile de la achiziția acestuia. Utilizatorul final poate înregistra produsul pentru garanția extinsă oferită în țara sa de rezidență dacă aceasta este listată în formularul de înregistrare online și dacă această opțiune este validă. În plus, utilizatorul final trebuie să-și dea acordul pentru stocarea datelor personale solicitate la înregistrarea online și trebuie să accepte termenii și condițiile. Mesajul de confirmare a înregistrării, trimis prin e-mail și factura originală cu data achiziției vor dovedi perioada de garanție extinsă.
3. Garanția acoperă toate defecțiunile produsului survenite în perioada de garanție datorate defectelor de execuție sau materialelor folosite, începând cu data achiziției acestuia. Garanția este limitată la reparare și/sau înlocuire și nu include alte obligații, inclusiv, dar fără a se limita la daune accidentale sau rezultate pe cale de consecință. Garanția își pierde valabilitatea dacă produsul este utilizat neconform cu instrucțiunile de utilizare din manualul cu instrucțiuni sau conectat incorect. Garanția nu se aplică în cazul:
 - oricărei defecțiuni survenite în urma întreținerii necorespunzătoare a produsului
 - oricărui produs alterat sau modificat
 - oricărui produs la care inscripțiile cu datele de identificare (marca comercială, numărul de serie) au fost șterse, modificate sau îndepărtate
 - oricărei defecțiuni datorate neconformării cu instrucțiunile din manualul de utilizare
 - oricărui produs necertificat CE
 - oricărui produs asupra căruia au fost efectuate tentative de reparare de către personal necalificat sau fără autorizație prealabilă din partea Techtronic Industries
 - oricărui produs conectat la o sursă de alimentare necorespunzătoare (curent, tensiune, frecvență)
 - oricărui defecțiuni datorate unor influențe externe (chimice, fizice, șocuri) sau substanțe străine
 - uzurii și fisurării normale a pieselor de rezervă
 - utilizării neadecvate, suprasolicitării uneltei
 - utilizării de piese și accesorii neaprobate
 - accesoriilor pentru unelțile furnizate odată cu aceasta sau achiziționate separat. Aceste excluderi se aplică, dar fără a se limita la următoarele: burghie, biț de șurubelniță, discuri abrazive, hârție abrazivă și lame de tăiere, ghidaje laterale
 - Componentele (piese și accesorii) supuse uzurii normale, care includ, fără a se limita la, kituri de întreținere și service, perii de cărbune, rulenți, mandrină, adaptor pentru burghie SDS, cordon de alimentare, mâner auxiliar, cutie de transport, placă pentru șlefuit, sac pentru praf, tub pentru evacuarea prafului, discuri de păsă, adaptoare și resorturi pentru cheile de strângere prin vibrare, etc.
4. Pentru efectuarea reparațiilor, produsul trebuie trimis sau adus la un centru de reparații autorizat RYOBI din lista următoare de centre de reparații prezentate pentru fiecare țară. În anumite țări, reprezentatul local RYOBI va trimite produsul spre reparare la sediul central de reparații RYOBI. Atunci când trimiteți produsul spre reparare la un centru de reparații RYOBI, acesta trebuie ambalat în siguranță, fără conținut periculos (cum ar fi benzină), marcat cu adresa expediturii și însoțit de o scurtă descriere a defectului.
5. Repararea/Înlocuirea în perioada de garanție este gratuită. Aceasta nu este însoțită de o prelungire sau o reînțiere a perioadei de garanție. Piesele sau uneltele schimbate devin proprietatea dvs. În anumite țări, taxele de expediție sau poștale vor fi suportate de expeditor. Drepturile dvs. statutare rezultate din achiziția produsului rămân neschimbate
6. Această garanție este valabilă în Comunitatea Europeană, Elveția, Islanda, Norvegia, Liechtenstein, Turcia, Rusia și Marea Britanie. În afara acestor zone, vă rugăm să contactați reprezentantul dvs. local RYOBI pentru a determina dacă se aplică alt tip de garanție.

CENTRU DE SERVICE AUTORIZAT

Orice întrebare sau problemă în legătură cu produsul se poate adresa la centrele locale autorizate de service (vizitați www.ryobitools.eu sau direct la: Techtronic Industries GmbH, Max Eyth Straße 10, 71364 Winnenden, Germany. Vă rugăm să specificați numărul de serie și tipul de produs tipărite pe etichetă.

LV RYOBI® GARANTIJAS PIEMĒROŠANAS NOSACĪJUMI

Papildus jebkādam likumiskajām tiesībām, kuras rodas, veicot pirkumu, izstrādājums tiek nodrošināts ar tālāk tekstā noteikto garantiju.

1. Garantijas periods patērētājiem ir 24 mēneši, tā atskaitē tiek sākta no datuma, kurā veikta izstrādājuma iegāde. Šim datumam jābūt dokumentātam rēķinā vai citā pirkumu apliecināšos dokumentā. Izstrādājums ir radīts un paredzēts tikai patērētāja privātai lietošanai. Saistībā ar iepriekšminēto, garantija netiek nodrošināta profesionālās vai komerciālās lietošanas gadījumā.
2. Pastāv iespēja pagarināt daļas no elektroinstrumentu klāsta (Maiņstrāvas/akumulātoru) garantiju ilgāk par iepriekš minēto periodu, izmantojot reģistrāciju interneta vietnē www.ryobitools.eu. Instrumenti, kas pakļauti garantijas perioda pagarināšanai, tiek skaidri apzīmēti veikalos un/vai uz iepakojuma un izstrādājumu komplektējošajā dokumentācijā. Gala lietotājam nepieciešams reģistrēt tā iegādātā no instrumentu 30 dienu laikā no pirkuma datuma. Gala lietotājs var reģistrēties pagarinātājai garantijai savs mītnes valstī, ja tā minēta tiesaistes reģistrācijas veidlapā, kurā šī iespēja ir aktīva. Bez tam, gala lietotājam ir jāsniedz piekrišana tiesaistes ievadīšanai nepieciešamo datu glabāšanai un jāpiekrīt noteikumiem un nosacījumiem. Reģistrācijas apstiprinājums, kas tiek nosūtīts, izmantojot e-pastu, un rēķina oriģināls, kurā norādīts iegādes datums, kalpo kā pagarinātās garantijas apstiprinājums.
3. Garantija attiecas uz visiem izstrādājuma defektiem garantijas periodā, kas saistīti ar ražošanas vai materiālu defektiem no pirkuma datuma. Šī garantija tiek ierobežota ar remontu un/vai nomainu un neietver jebkādas citas saistības, tajā skaitā, bet ne tikai, celngasakarīgos vai saistītos bojājumus. Garantija nav spēkā, ja izstrādājums ir nepareizi lietots, izmantots pretēji norādēm lietošanas rokasgrāmātā vai bijis nepareizi pieslēgts. Šī garantija netiek attiecināta uz:
 - jebkādiem izstrādājuma bojājumiem, kas radušies nepareizas uzturēšanas rezultātā
 - jebkuru izstrādājumu, kas ticis pārveidots vai mainīts
 - jebkuru izstrādājumu, kura oriģinālais identifikācijas (preču zīme, sērijs numurs) marķējums ir ticis nodzēsts, mainīts vai noņemts
 - jebkādiem bojājumiem, kuri radušies neievērojot norādes lietošanas rokasgrāmātā
 - jebkādam izstrādājumam bez CE sertifikācijas
 - jebkura izstrādājuma, kura remontu mēģinājis veikt nekvalificēts personāls vai bez Technonic Industries iepriekšējās autorizācijas.
 - jebkura izstrādājuma, kurš bijis pieslēgts neatbilstošu parametru (strāvas, sprieguma, frekvences) sprieguma avotam
 - jebkuriem bojājumiem, kuri radušies ārējas iedarbības (ķīmiskas, fiziskas, triecieni) vai vielu ietekmē
 - detaļu normāla lietošanas nodiluma rezultātā
 - nepareizas lietošanas vai instrumentu pārslodzes rezultātā
 - neapstrīnātu detaļu vai aprīkojuma lietošanas rezultātā
 - elektroinstrumentu aksesuāriem, kas atrodas instrumenta komplektācijā vai ir iegādāti atsevišķi. Šis izņēmums attiecinās uz, bet neaprobežojies ar, skrūvgrīžu uzgaliem, urbjiem, abrazīvajiem diskiem, mašīnspirtu un asmeņiem, sānu vadotnēm
 - komponentiem (daļām) un aksesuāriem, kas pakļauti normālam nodilumam, ieskaitot, bet neaprobežojoties ar Servisa un Apkoju komplekti, oglekļa suku, gultņi, patrona, SDS urbju uzvērņiem vai uzlīkas, elektrības vads, papildus rokturis, transportēšanas un pārnēsāšanas kaste, slīpmašīnas plāksne, putekļu maiss, putekļu izvadsīšanas caurule, papildāšņi, triecienslēgu tapas un atsperes, u.t.t.
4. Servisa nodrošināšanai, izstrādājums ir jānodod pilnvarotā RYOBI servisa centrā, kas norādīts katrai valstij tālāk minētajā servisa centru adresē sarakstā. Dažās valstīs jūsu vietējais RYOBI izplatītājs uzņemas izstrādājuma nosūtīšanu uz RYOBI servisa organizāciju. Nosūtīt izstrādājumu uz RYOBI servisa centru, izstrādājuma jābūt droši iepakotam. Tas nedrīkst saturēt bīstamas vielas kā degvielu, sūtljūgam jābūt marķētam ar sūtlāja adresi un tīu ķīmijas aprakstu.
5. Remonts/nomaiņa šīs garantijas ietvaros ir bezmaksas. Tas nerada garantijas perioda pagarināšanu vai jaunu garantiju. Nomainītās daļas vai instrumentu klāst par mūsu īpašumu. Dažās valstīs piegādes vai pasta izmaksas būs jāpārkāps jūsu īpašumam. Jūsu likumiskās tiesības, kas nodibinās, iegādājoties instrumentu, paliek nemainīgas
6. Šī garantija ir spēkā Eiropas Kopienā, Šveicē, Islandē, Norvēģijā, Lihtenšteinā, Turcijā, Krievijā un Apvienotajā Karalistē. Ārpus šīm teritorijām, lūdzu, sazinieties ar jūsu pilnvaroto RYOBI izplatītāju, lai noteiktu, vai ir piemērojama cita garantija.

AUTORIZĒTS AKPALPOŠANAS CENTRS

Ar jebkuru pieprasījumu vai problēmu, kas saistīta ar produktu, var vērsties Jūsu vietējā pilnvarotajā servisa centrā (apmeklējiet www.ryobitools.eu) vai tieši pie: Technonic Industries GmbH, Max Eyth Straße 10, 71364 Winnenden, Germany, Lūdzu, norādiet sērijs numuru un produkta tipu, kas norādīts uz etiķetes.

LT „RYOBI® GARANTIJOS TAIKYMO SĄLYGOS

Papildint bet kokias įstatymuose numatytas perkant atsirandancias teises, šiam įrenginiui taikoma toliau nurodyta garantija.

1. Vartotojams suteikiama 24 mėnesių trukmės garantija nuo įrenginio įsigijimo datos. Ši data turi būti nurodyta sąskaitoje faktūroje ar kitame pirkimą įrodančiame dokumente. Šis įrenginys skirtas tik vartotojų rinkai ir asmeniniam naudojimui. Todėl garantija netaikoma, jei įrenginys naudojamas profesionaliems ar komercinėms reikmėms.
2. Įsigijus tam tikrus elektrinius įrenginius (AC/DC), suteikiama galimybė pratęsti garantiją, kad ji galiojt ilgiau, nei nurodyta pirmiau, naudojantis registracija interneto svetainėje www.ryobitools.eu. Ar galima pratęsti įrenginio garantinį laikotarpį, aiškiai nurodoma parduotuose ir (arba) ant įrenginio pakotės, ir (arba) įrenginio dokumentuose. Galutinis naudotojas turi užregistruoti savo naujai įsigytą įrenginį per 30 dienų nuo įsigijimo datos. Galutinis naudotojas gali registruotis išplėtiminei garantijai savo gyvenamojoje šalyje, jei ji nurodyta internetinėje registracijos formoje, kurioje siūloma tokia galimybė. Be to, galutiniai naudotojai turi sutikti su duomenų, kuriuos reikia įvesti internetu, saugojimu ir svetainės naudojimo sąlygomis. Kaip išplėstinės garantijos įrodymas naudojamas registracijos patvirtinimo kvitas, atsiunčiamas el. paštu, ir originali sąskaita faktūra, kurioje nurodyta įsigijimo data.
3. Ši garantija apima visus garantiniu laikotarpiu aptiktus įrenginio trūkumus, atsiradusius dėl gamybos arba medžiaginių defektų nuo įsigijimo datos. Ši garantija ribojama remontu ir (arba) pakeitimu, ji neapima jokių kitų išparagų, įskaitant (bet tuo neapsiribojant) šaltiniais arba antriniais nuostolius. Garantija anuluojama, jei įrenginys buvo naudojamas netinkamai, naudojamas ne pagal naudojimo instrukciją arba netinkamai prijungtas. Ši garantija netaikoma:
 - jokiai įrenginiui padarytai žalai, kurią lėmė netinkama techninė priežiūra;
 - jokiai įrenginiui, kuris buvo keičiamas ar modifikuojamas;
 - jokiai įrenginiui, kurio originalūs identifikavimo ženklai (prekės ženklas, serijos numeris) buvo sugadinti, pakeisti arba pašalinti;
 - jokiai žalai, kurią lėmė naudojimo instrukcijos nesilaikymas;
 - jokiems CE ženklu nepažymėtiems įrenginiams;
 - jokiai įrenginiui, kurį bandė remontuoti nekvalifikuoti asmenys arba kuris buvo remontuojamas be „Technonic Industries“ leidimo;
 - jokiai įrenginiui, kuris buvo prijungtas prie netinkamo maitinimo tinklo (netinkamos srovės, įtampos, dažnio);
 - jokiai žalai, kurią lėmė išorinis poveikis (cheminis, fizinis, smūgiai) arba pašalinės medžiagos;
 - dėvimosioms dalims;
 - netinkamam naudojimui, įrenginio perkrovai;
 - nepatvirtintų priedų arba dalių naudojimui;
 - su įrenginiu pateiktiems arba atskirai įsigytiems elektrinio įrenginio priedams. Šios išimties apima (tuo neapsiribojant) atsuktuvų antgalius, gražtų antgalius, šlifavimo diskus, šlirinį popierių ir geležtes, šoninį kreiptuvą;
 - komponentams (dalims ir priedams), kurie natūraliai dėvisi, įskaitant (bet tuo neapsiribojant) įprastines ir technines priežiūros rinkinius, anglinius šepetėlius, guolius, laikiklį, SDS gražtų antgalių priedą arba lizdą, maitinimo kabelį, pagalbinią rankena, nešiojimo dėklą, šlifavimo diską, mašinelį dulksmės, dulkių ištraukimo vamzdelį, fetro poveržles, smūginio veržiarakčio kaiščius ir spyruokles ir pan.
4. Prireikus atlikti priežiūros darbus, įrenginį reikia siųsti arba atvežti RYOBI įgaliotam priežiūros centrui, nurodytam kiekvienos šalies priežiūros centrų adresų sąrašė. Kai kuriose šalyse vietinis RYOBI atstovas siunčia įrenginį RYOBI priežiūros organizacijai. Siunčiant įrenginį RYOBI priežiūros centrui, reikia saugiai jį supakuoti pašalinant visas pavojingas medžiagas, pvz., benzina, nurodyti ant pakotės siuntėjo adresą ir pridėti trumpą gedimo aprašymą.
5. Pagal šią garantiją remontas / keičimas atliekami nemokamai. Tokie keičimai netaikomi garantijos pratęsimu arba naujo garantinio laikotarpio pražūda. Dalsys arba įrenginiai, kuriuos pakeičiame, tampa mūsų nuosavybe. Kai kuriose šalyse pristatymo ir pašto išlaidas turi padengti siuntėjas. Įstatymuose numatytos jūsų teisės, atsirandancios perkant įrenginį, lieka nepakeistos.
6. Ši garantija galioja Europos Bendrijos šalyse, Šveicarijoje, Islandijoje, Norvegijoje, Lichtenšteine, Turkiijoje, Rusijoje ir Jungtinėje Karalystėje. Jei gyvenate ne šiose šalyse, kreipkitės į įgaliotąjį RYOBI atstovą ir sužinokite, ar jums taikoma kita garantija.

ĮGALIOTAS TECHININĖS PRIEŽIŪROS CENTRAS

Jei turite kokių nors pagedavimų ar problemų, susijusių su šiuo gaminiu, galite kreiptis į artimiausią įgaliotąjį techninės priežiūros centrą aplankydami www.ryobitools.eu arba tiesiogiai: Technonic Industries GmbH, Max Eyth Straße 10, 71364 Winnenden, Germany. Nurodykite etiketėje išspausdintą serijos numerį ir gaminio tipą.

ET RYOBI® GARANTIITINGIMUSED

Lisaks toote ostust tulenevatele seadusjärgsetele õigustele, kehtib tootele ka alltoodud garantiaga.

1. Tarbijatele on garantiiaeg 24 kuud ja algab sellel kuupäeval, mil toode osteti. Selle kuupäeva tõenduseks on vaja arvet või mõnda teist tõendit ostu sooritamise kohta. Toode on mõeldud eratarbijatele ainult isiklikuks kasutamiseks. Seega ei kehti garantiid ostu kasutamisel kusetegevuses või kaubanduslikel eesmärkidel.
2. Teatud osade elektrilistele (vahelduvvoolu/alisvoolu) tööriistadele on võimalik pikendada eespool toodud garantiiaega, kasutades toote registreerimist veebilehel www.ryobitools.eu. Teave tööriista võimaliku pikendatud garantiiaja kohta on selgelt esile toodud pookides ja/või pakendil / ning see sisaldub toote dokumentatsioonis. Lõpptarbijal peab registreerima oma uued tööriistad interneti teel 30 päeva jooksul pärast ostupäeva. Lõppkasutaja või registreerida pikendatud garantiiaja saamise oma elukohtariigi, kui veebis olevas registreerimisvormis on see valik täidetav. Lisaks peavad kasutajad andma oma nõusoleku veebis nõutud sisestatavate andmete säilitamiseks ning nad peavad nõustuma tingimustega. E-posti teel saadetak registreerimise kinnitus ja arve originaal, kus on näha ostu sooritamise kuupäev, on pikendatud garantiiaja tõestuseks.
3. Garantii katab kõik defektid toote garantiiaja jooksul, kui ostu kuupäeval ilmnevad talitus- või materjalivead. Garantii piirub toote remondi ja/või väljavahetamisega ning ei sisalda muid kohustusi, muu hulgas ettenägematuid või kaudseid kahjusid. Garantii ei kehti, kui toodet ei ole kasutatud sihtotstarbelselt või kooskõlas kasutusjuhendiga või see on valesti ühendatud. Garantii ei kehti järgmistel põhjustel:
 - toode on kahjustatud vale hoolduse tõttu
 - toodet on muudetud
 - toode algupärasel identifitseerimisjärjenduses (kaubamärk, seerianumber) on rikutud, muudetud või eemaldatud
 - kahju on tekkinud kasutusjuhendi mittejärgimises
 - tootel puudub CE-märgis
 - toodet on püüdnud remondida vastavalt kvalifikatsiooni mitte omav isik või ilma firma Technronic Industries eelneva loata.
 - toode on ühendatud valesse toiteallikasse (voolutugevus, pinge, sagedus)
 - välismõjude (keemilised, füüsilised, elektrolüüsi) või võõrkehade tekitatud kahju
 - tavapärase kulumine ja katkised varuosad
 - ebaõige kasutamine, tööriista ülekoormamine
 - heakskiitmata tarvikute või osade kasutamine
 - koos tööriistaga saadud või eraldi ostetud elektriliste tööriistade tarvikud. Need erandid puudutavad muu hulgas kruvikeeraja otsakuid, puuriterasid, lihvkettaid, lihvpaberit ja -taldu, küljühikuid
 - Komponentide (osad ja tarvikud), mida iseloomustab kulumine ja vananemine, muu hulgas remondi- ja hoolduskomplektid, süsinikharjad, laagrid, padrunid, SDS-puuriterasid tarvikud, toitejuhe, lisakäepide, transpordikott, lihvplaat, tolmutkott, tolmurjalajasketor, viidist seibid, löökmutrivõtme võllid ja vedrud jne.
4. Hoolduseks peab toote saatma või viima RYOBI volitatud teenindusse, mille aadressi leiata järgnevast teeninduspunktidest nimekirjast vastava riigi alt. Mõnedes riikides võib kohalik RYOBI edasimüüja enda kanda kohustuse saata toote RYOBI teenindusorganisatsiooni. Toote saamiseks RYOBI teenindusse peab toode olema ohutult pakitud ja ei tohi sisaldada ohutikke aineid (nt bensini), kirjas peab olema saatja aadress ja lisatud vea lühikirjeldus.
5. Garantii alusel tehtavad remonditööd / asendamine on tasuta. See ei pikenda garantiit kehtivusaega ega tähistuise garantiiaja algust. Väljavahetatud osad või tööriistad kuuluvad meile. Mõnedes riikides maksab kätetoimetamis- ja postikulud saatja. Teine jäävad kehtima tööriista ostu tulenevast seadusjärgsest õigusest
6. See garantiit kehtib Euroopa Liidus, Šveitsis, Islandil, Norras, Liechtensteinis, Türgis, Venemaal ja Ühendkuningriigis. Väljaspool neid piirkondi võtke ühendust volitatud RYOBI edasimüüjaga, et teha kindlaks kas kehtib mõni teine garantiit.

VOLITATUD HOOLDUSKESKUS

Tootega seotud päringute või probleemide korral pöörduge kohaliku volitatud hoolduskeskuse poole (vt www.ryobitools.eu) või otse aadressile: Technronic Industries GmbH, Max Eyth Straße 10, 71364 Winnenden, Germany. Märkige ära siidil olev seerianumber ja toote tüüp.

HR UVJETI PRIMJENE JAMSTVA TVRTKE RYOBI®

Osim svim zakonskim pravima koja proizlaze iz kupnje, ovaj je proizvod pokriven jamstvom kako je navedeno u nastavku.

1. Jamstveno razdoblje za potrošače traje 24 mjeseca i počinje s datumom na koji je proizvod kupljen. Taj datum mora se dokumentirati računom ili drugim dokazom o kupnji. Proizvod je konstruiran i namijenjen samo za privatnu upotrebu korisnika. Stoga se jamstvo ne daje u slučaju profesionalne ili komercijalne uporabe.
2. Postoji mogućnost da se za dio asortimana električnih alata pokretanih izmjeničnom strujom (AC/DC) proizvodi gore navedeno jamstveno razdoblje putem registriranja na mrežnom mjestu www.ryobitools.eu. Uvjeti koje je potrebno zadovoljiti kako bi se proizložilo jamstveno razdoblje jasno su istaknuli u prodavaoniciima i / ili na pakiranju i / ili nazele se unutar dokumentacije proizvoda. Krajnji korisnik mora registrirati svoje novo kupljene alate na mreži u roku od 30 dana od datuma kupnje. Krajnji korisnik može se registrirati za produženo jamstvo u svojoj zemlji boravišta ako se nalazi na popisu u mrežnom obrascu za registraciju gdje je ta opcija važeća. Nadalje, krajnji korisnici moraju dati svoj pristanak na pohranu podataka koji su potrebni za mrežni ulazak i moraju prihvatiti odredbe i uvjete. Potvrda o prijemu registracije, koja se šalje putem e-pošte, kao i originalni račun s vidljivim datumom kupnje poslužiti će kao dokaz produženog jamstva.
3. Jamstvo pokriva sve nedostatke proizvoda tijekom jamstvenog razdoblja koji su nastali zbog neispravnosti prilikom izrade ili materijala s datumom kupnje. Jamstvo je ograničeno na popravak i / ili zamjenu i ne obuhvaća nikakve druge obveze, uključujući, ali ne ograničavajući se na slučajne ili posljedice štete. Jamstvo ne vrijedi ako je proizvod bio zlorabljeno, korišten u suprotnosti s priručnikom s uputama ili ako je pogrešno spojen. Ovo jamstvo ne primjenjuje se na:
 - svaku štetu koja je na proizvodu nastala kao rezultat nepravilnog održavanja
 - svaki proizvod koji je promijenjen ili izmijenjen
 - svaki proizvod na kojem su izvorne identifikacijske oznake (žig, serijski broj) bile oštećene, izmijenjene ili uklonjene
 - svaku štetu prouzročenu neprimjeranim priručnika s uputama
 - svaki proizvod koji nema oznaku CE
 - svaki proizvod koji je pokušao popraviti ne kvalificirani profesionalac ili onaj koji je popravljeno bez prethodnog odobrenja tvrtke Technronic Industries
 - svaki proizvod koji je spojen na neprikladan izvor električnog napajanja (neodgovarajuća amperaza, napon, frekvencija)
 - svaku štetu prouzročenu unutarnjim utjecajima (kemijskim, fizikalnim, udarima) ili stranim tvarima
 - normalno habanje i trošenje rezervnih dijelova
 - neodgovarajuću uporabu, preopterećenje alata
 - upotrebu neodobrene pribora ili dijelova
 - dodatnu opremu električnog alata isporučenu s alatom ili kupljenu odvojeno. Takvi izuzetici uključujući ali nisu ograničeni na vrhove odlovača, svrdla bušilice, abrazivne disкове, brusni papir i noževe, bočnu vodilicu
 - Komponente (dijelovi i pribor) podložne prirodnom trošenju i habanju, što uključuje, ali nije ograničeno na komplekte za servisiranje i održavanje, ugišne četkice, ležajeve, steznu glavu, nastavak ili priključak za svrdla za SDS bušilicu, priključni kabel, pomoćnu ručku, transportne torbe, brusnu ploču, vrhu za prašinu, ispušni cijev za prašinu, podloške od filca, udarni ključ, zatici i opruge, itd.
4. Za potrebe servisiranja, proizvod se mora poslati ili odnijeti u ovlašteno servisnu postaju tvrtke RYOBI navedenu na sljedećem popisu s adresama servisnih postaja u svakoj zemlji. U nekim zemljama, vaš lokalni RYOBI zastupnik obvezuje se da će poslati proizvod u servisnu organizaciju tvrtke RYOBI. Kada se proizvod šalje u neku servisnu postaju tvrtke RYOBI, proizvod se mora sigurno pakirati bez ijednog od opasnih sadržaja kao što je benzin, na njemu mora pisati adresa pošiljatelja i mora biti popraćen kratkim opisom kvara.
5. Popravak / zamjena pod ovim jamstvom su besplatni. Oni ne predstavljaju produženje ili novi početak jamstvenog razdoblja. Zamijenjeni dijelovi ili alati postaju naše vlasništvo. U nekim državama troškove isporuke ili poštarinu mora platiti pošiljatelj. Vaša zakonska prava koja proizlaze iz kupnje alata ostaju nepromijenjena
6. Ovo jamstvo je valjano u zemljama Europske zajednice, Švicarskoj, Islandu, Norveškoj, Lihtenštajnu, Turskoj, Rusiji i Ujedinjenoj Kraljevini. Izvan tih područja vas molimo da se obratite svojem ovlaštenom zastupniku tvrtke RYOBI kako biste utvrdili primjenjive li se drugo jamstvo.

OVLAŠTENI SERVISNI CENTAR

Za svaki zahtjev ili problem s proizvodom možete se obratiti vašim ovlaštenim servisnim centrima (posjetite adresu www.ryobitools.eu) ili izravno na: Technronic Industries GmbH, Max Eyth Straße 10, 71364 Winnenden, Germany. Navedite serijski broj i vrstu proizvoda otkrnutu na naljepnici.

SL POGOJI ZA VELJAVNOST GARANCIJE RYOBI®

Poleg morebitnih zakonsko določenih pravic, ki izvirajo iz nakupa, za ta izdelek velja spodaj navedena garancija.

1. Garancijsko obdobje je za potrošnike 24 mesecev in začne teči z dnem nakupa izdelka. Ta datum mora biti dokumentiran z računom ali drugim dokazilom o nakupu. Izdelek je zasnovan in namenjen izključno za potrošniško zasebno uporabo. V primeru strokovne oziroma komercialne uporabe izdelka garancija ne velja.
2. Obstaja možnost podaljšanja garancije na del naše ponudbe električnih orodij (AC/DC) prek obdobja garancije, opisanega zgoraj, s pomočjo registracije na spletnem mestu www.ryobitools.eu website. Ustreznost orodij za podaljšanje garancijskega obdobja je jasno prikazana v trgovinah in/ali na embalaži oziroma je navedena v dokumentaciji izdelka. Končni uporabnik mora registrirati svoje novo orodje na spletu v 30 dneh po datumu nakupa. Končni uporabnik lahko registrira podaljšano garancijo v svoji državi bivanja, če je na obrazcu spletne registracije navedeno, da to možnost velja za njegovo državo. Poleg tega morajo končni uporabniki podati svoje soglasje za shranjevanje podatkov, ki so potrebni za spletni dostop in morajo sprejeti pogoje in določila uporabe spletnega mesta. Potrdilo o registraciji, ki ga pošljemo prek e-pošte, in originalni račun, ki prikazuje datum nakupa, služita kot dokazilo o podaljšani garanciji.
3. Garancija krije vse okvare izdelka, do katerih pride v garancijskem obdobju zaradi napak v izdelavi ali materialu, ki so bile prisotne ob datumu nakupa. Garancija je omejena na popravilo in/ali zamenjavo in ne vključuje nobenih drugih obveznosti, med drugim vključno z naključno ali posledično škodo. Garancija ne velja, če je bil izdelek napačno uporabljen, uporabljen v nasprotju z navodili iz priložnice za uporabo ali če ni bil pravilno povezan. Ta garancija ne velja za:
 - škodo na izdelku, ki je posledica neustreznega vzdrževanja
 - spremenjen ali prilagojen izdelek
 - izdelek, katerega originalna identifikacijska oznaka (blagovna znamka, serijska številka) je bil poškodovan, spremenjena ali odstranjena
 - škodo, ki je posledica neupoštevanja navodil iz priložnice za uporabo
 - izdelek, ki nima oznake CE
 - izdelek, ki ga je poskušal opraviti nequalificiran strokovnjak ali ki je bil popravljen brez predhodne odobritve s strani družbe Technonic Industries.
 - izdelek, ki je bil povezan na neustrezno napajanje (amperska moč, napetost, frekvenca)
 - škodo, ki je povzročila zunanji vpliv (kemični, fizični, mehanski) ali tuje snovi – rezervne dele, ki so podvrženi običajni uporabi
 - neprimerno uporabo, preobremenitev orodja
 - uporabo neodobrenih dodatkov ali delov
 - Dodatno električno orodje, priloženo orodju ali kupljeno ločeno. Take izjeme so med drugim nastavki za izvijalce, svedri, abrazivni diski, brusni papir in rezila, stranska vodila.
 - Komponente (sestavni in rezervni deli), ki so podvrženi običajni obrabi, med drugim vključno s kompleti za servisiranje in vzdrževanje, ogledljivi krtačkami, ležaji, vpenjali, svedri priključki SDS ali sprejemnimi odprtinami zanje, napajalnimi kabli, pomožnimi ročaji, prenosnimi kovčki, brusnimi ploščami, vrečkami za prah, cevmi za izpuh prahu, tesnilni iz filca, iglami in vzmetim udarnega ključa itd.
4. Za servisiranje morate izdelek poslati ali prinesiti v pooblaščen servisni center družbe RYOBI, ki je naveden za vsako državo na naslednjem seznamu naslovov servisnih centrov. V nekaterih državah se vaš lokalni posrednik družbe RYOBI obveže, da bo poslal izdelek na servis družbe RYOBI. Ko pošiljate izdelek v servisni center družbe RYOBI, mora biti izdelek varno zapakiran in ne sme vsebovati nobenih nevarnih snovi, kot je npr. bencin, opremljen pa mora biti z naslovom pošiljatelja in vsebovati kratak opis napake.
5. Popravilo/zamenjava v skladu s to garancijo sta brezplačni storitvi. To pa ne predstavlja podaljšanja ali ponovnega začetka garancijskega obdobja. Zamenjani deli ali orodja postanejo naša last. V nekaterih državah stroške dostave ali poštnino plača pošiljatelj. Vaše zakonsko določene pravice, ki izvirajo iz nakupa orodja, ostajajo nespremenjene.
6. Ta garancija velja v Evropski skupnosti, Švici, na Islandiji, Norveškem, v Lichtenštajnu, Turčiji, Rusiji in Združenem kraljestvu. Izven teh območij se obrnite na svojega pooblaščenega posrednika izdelkov RYOBI, dealer ki vam bo povedal, ali velja kakšna druga garancija.

POOBLAŠČEN SERVISNI CENTER

V primeru zahtev ali težav v zvezi z izdelkom se lahko obrnete na lokalne pooblaščenke servisne centre (obiščite www.ryobitools.eu) ali neposredno na: Technonic Industries GmbH, Max Eyth Straße 10, 71364 Winnenden, Germany. Prosimo, da navedete serijsko številko in tip izdelka, ki sta natisnjena na oznaki.

SK ZÁRUČNÉ PODMIENKY RYOBI®

Na tento výrobok sa okrem všetkých zákonných práv, vyplývajúcich z nákupu, vzťahuje záruka v nasledovnom znení.

1. Záručná doba pre spotrebiteľa je 24 mesiacov a začína plynúť odo dňa, kedy bol výrobok zakúpený. Tento dátum musí byť doložený faktúrou alebo iným dokladom o zakúpení. Výrobok je navrhnutý a určený pre spotrebiteľov a len na súkromné použitie. Preto sa záruka sa neposkytuje v prípade použitia na profesionálne a komerčné účely.
2. V prípade elektrického náradia (na striedavý/jednosmerný prúd AC/DC), existuje možnosť predĺženia záručnej doby proti záručnej dobe, uvedenej vyššie, s využitím on-line registrácie na webovej stránke www.ryobitools.eu. Označenie na náradí o nároku na predĺženie záručnej doby je zreteľne uvedené v obchodoch a/alebo na obale a je uvedené v dokumentácii k výrobku. Koncový používateľ musí zaregistrovať svoje novozískané náradie on-line do 30 dní odo dňa nákupu. Koncový používateľ sa môže zaregistrovať na predĺženie záruky v krajine svojho bydliska, ak je v on-line registračnom formulári uvedená táto možnosť. Ďalej musia koncoví používatelia ešte dať svoj súhlas s uchovávaním údajov, ktoré je potrebné zadať on-line a musia súhlasiť s podmienkami. Potvrdenie o prijatí registrácie, ktoré je zaslané e-mailom a originál faktúry, v ktorej je uvedený dátum nákupu, slúžia ako dôkaz o predĺženej záruke.
3. Záruka sa vzťahuje na všetky poruchy výrobu v záručnej dobe, spôsobené chybami materiálu alebo spracovania k dátumu nákupu. Táto záruka je obmedzená na opravu a/alebo výmenu a nezahŕňa žiadne ďalšie povinnosti, vrátane okrem iných, náhodné alebo následné škody. Táto záruka je neplatná, ak bol výrobok nesprávne použitý, bol používaný v rozpore s návodom na použitie alebo bol nesprávne zapojený. Táto záruka sa nevzťahuje na:
 - akékoľvek poškodenie výrobu, ktoré bolo spôsobené nesprávnou obsluhou
 - akýkoľvek výrobok, ktorý bol zmenený alebo upravený
 - akýkoľvek výrobok, na ktorom bolo poškodené, upravené alebo odstránené identifikčné označenie (ochranná známka, výrobné číslo)
 - akékoľvek škody, spôsobené nedodrúzaním návodu na obsluhu
 - akýkoľvek výrobok, ktorý neobsahuje označenie CE
 - akýkoľvek výrobok, ktorý sa pokúša opraviť nequalifikovaný odborník alebo bol opravovaný bez predchádzajúceho súhlasu zo strany spoločnosti Technonic Industries.
 - akýkoľvek výrobok, pripojený k nesprávnemu napájaciemu zdroju (ampéry, napätie, frekvencia)
 - akékoľvek poškodenia, spôsobené vonkajšími vplyvmi (chemickými, fyzikálnymi, nárazmi) alebo cudzorodnými látkami
 - bežné opotrebovanie náhradných dielov
 - nevhodné použitie, preťažovanie nástroja
 - použitie neschváleného príslušenstva a dielov
 - príslušenstvo k elektrickému náradu, dodávané spolu s náradím alebo zakúpené oddelene. Takéto vylúčenia sa vzťahujú, okrem iného, na násady skrutkovačov, vrtáky, brusné kotúče, brusný papier a čepele, bočné vodiace líšty
 - Súčiastky (diely a príslušenstvo), ktoré podliehajú prirodzenému opotrebeniu, okrem iného súpravy na servis a údržbu, uhliky, ložiská, skrutčovníky, SDS vrtáky a príslušenstvo, príloh alebo prijímanie, napájací kábel, pomocná rukoväť, prepravná skriňa, brusná doska, prachové vrecko, výfuková trubica, pistené podložky, kolíky a pružiny na rázový utahovač atď.
4. Na opravu musí byť výrobok odoslaný alebo doručený do autorizovaného servisného strediska RYOBI, uvedeného pre každú krajinu v nasledovnom zozname adries servisných stredísk. V niektorých krajinách miestny zástupca RYOBI preberá na seba záväzok zaslať tovar do servisnej organizácie RYOBI. Pri odoslaní výrobku do servisného strediska RYOBI je potrebné výrobok bezpečne zabaliť bez akéhokoľvek nebezpečného obsahu, ako je bencín, s vyznačením adresy odosielateľa, s krátkym popisom poruchy.
5. Oprava/výmena je vrámi tejto záruky bezplatná. Neznamená to predĺženie záruky alebo spustenie novej záručnej doby. Vymenené diely alebo nástroje sa stávajú našim vlastníctvom. V niektorých krajinách náklady na odoslanie alebo poštovné musí zaplatiť odosielateľ. Vaše zákonné práva, vyplývajúce z nákupu náradia, zostávajú nedotknuté.
6. Táto záruka je platná v Európskych spoločenstvách, Švajčiarsku, Islande, Nórsku, Lichtenštajnsku, Turecku, Rusku a Spojenom kráľovstve. Ak sa nachádzate mimo týchto oblastí, obráťte sa na autorizovaného predajcu RYOBI na určenie, či sa dá uplatniť iná záruka.

AUTORIZOVANÉ SERVISNÉ CENTRUM

Všetky žiadosti alebo problémy s výrobkom možno adresovať miestnym autorizovaným servisným strediskám (navštívte www.ryobitools.eu) alebo priamo na: Technonic Industries GmbH, Max Eyth Straße 10, 71364 Winnenden, Germany. Uveďte sériové číslo a typ výrobku uvedené na etikele.

BG УСЛОВИЯ ЗА ВАЛИДНОСТ НА ГАРАНЦИЯТА НА RYOBI®

В допълнение към законоустановените права, произтичащи от покупката, този продукт е свързан от гаранция, както е изложено по-долу.

- Гаранционният срок е 24 месеца за клиенти и започва да тече от деня на закупуване на продукта. Тази дата трябва да се докаже с фактура или друго доказателство за покупка. Продуктът е изработен и предназначен само за потребителска и лична употреба. Следователно не се дава гаранция в случай на използване от професионалисти или в търговска цел.
- Съществува възможност за удължаване на гаранционния срок за част от диапазона на гаранцията на електрически инструменти (AC/DC) след изтичането на описания тук чрез регистрация на уеб сайта www.ryobitools.eu. В магазините и/или на опаковката или вътре в документацията на продукта е показано ясно дали инструментът отговаря на условията за такова удължаване на гаранционния срок. Крайният потребител трябва да регистрира своите новопридобити инструменти онлайн в рамките на 30 дни от датата на покупка. Крайният потребител може да се регистрира за удължена гаранция в държавата на си пребиваване, ако е посочена във формуляра за онлайн регистрация като място, където тази опция е валидна. Освен това крайните потребители трябва да дадат съгласието си за съхранение на данните, които са задължителни за ползване онлайн, и трябва да приемат общите условия. Полученото потвърждение за регистрация, изпратено по електронна поща, и оригиналната фактура, показваща датата на покупка, ще служат като доказателство за удължената гаранция.
- Гаранцията покрива всички дефекти на продукта по време на гаранционния срок, които се дължат на проблеми в изработката или материалите към момента на покупката. Гаранцията е ограничена до ремонт и/или замяна и не включва други задължения, включително, но не само, случайни или косвени щети. Гаранцията е невалидна, ако продуктът е използван неправилно или в противоречие с ръководството с инструкции, както и ако е свързан неправилно. Тази гаранция не важи за:
 - щети по продукта в резултат на неправилна профилактика
 - продукти, които са били изменени или модифицирани
 - продукт, при който оригиналните маркировки за идентификация (търговска марка, серийн номер) са изтрили, променени или премахнати
 - повреда, причинена от неспазване на ръководството с инструкции
 - продукт без CE маркировка
 - продукт, за който е направен опит за ремонт от невалифициран специалист или без предварително разрешение от Techtronic Industries.
 - продукт, свързан със неподходящо електрохранване (ампераж, волтаж, честота)
 - щети, причинени от външни влияния (химични, физични, удари) или чужди вещества
 - нормално износване на резервни част
 - неподходяща употреба, преговаране на инструмента
 - използване на неподходящи аксесоари или части
 - Аксесоарите за електрически инструмент са предоставени с инструмента или се купуват отделно. Тези изключения включват, но не само, найкрайници за отвертка, свердела, абразивни дискове, шкурка и остриета, страничен водач
 - Компоненти (части и аксесоари), подложени на естествено износване, включително, но не само, комплекти за обслужване и поддръжка, карбонови четки, лагери, патронки, приставка със свердело SDS или приемно устройство, захравач кабел, спомогателна ръкохватка, кутия за транспортиране, шлифовъчна пластина, торба за прах, тръба за отвеждане на прах, филтрове шайби, цифрове и пружини за винтоверти и др.
- За обслужване/ремонт трябва да се изпрати или занесе на авторизирани сервиз на RYOBI, посочен за всяка държава в следния списък с адреси на сервизи. В някои държави местният търговец на RYOBI поема отговорността да изпрати продукта до сервизен център на RYOBI. При изпращане на продукт до сервиз на RYOBI той трябва да е опакован безопасно без опасност съдържане, напр. бензин, да е маркиран с адреса на подателя и придружен от кратко описание на повредата.
- Ремонтът/замяната по силата на тази гаранция са безплатни. Те не водят до удължаване или подновяване на гаранционния срок. Сменените части или инструменти стават наша собственост. В някои държави таксите за доставка или изпращане трябва да се платят от подателя. Законоустановените ви права, произтичащи от закупуването на инструмента, остават незасегнати.
- Тази гаранция е валидна в Европейската общност, Швейцария, Исландия, Норвегия, Лихтенщайн, Турция и Обединеното кралство. Извън тези области се свържете с изпълномощния търговец на RYOBI, за да се установи дали е приложима друга гаранция.

УПЪЛНОМОЩЕН СЕРВИЗЕН ЦЕНТЪР

Всички заявки или проблеми, свързани с продукта, могат да бъдат отправяни към местните изпълномощни сервизни центрове (посетете www.ryobitools.eu) или директно до Techtronic Industries GmbH, Max Eyth Straße 10, 71364 Winnenden, Germany. Посетете серийния номер и типа на продукта, отпечатани върху етикета.

UK ГАРАНТИЙНИ УМОВИ ДЛЯ RYOBI®

Окрім загально установлених законом прав, що стосуються покупки, цей пристрій покривається гарантією, що зазначено нижче.

- Гарантійний період для споживачів складає 24 місяці і починається з моменту придбання цього пристрою. Ця дата повинна бути задокументована у гарантійному талоні або чеку. Цей пристрій був розроблений і призначений тільки для споживачого та приватного використання. У разі професійного або комерційного використання цього пристрою, він втрачає гарантію.
- Існує можливість подовжити гарантійний період для частини лінійки електрострумів (перемінного/постійного струму), понад період описаний вище за допомогою реєстрації на сайті www.ryobitools.eu. Пристрої, які мають право на подовження гарантійного періоду, мають чіткі позначки цього в магазинах і / або на упаковці / та документації до пристрою. Кінцевий користувач повинен зареєструвати його/її новопридбаний пристрій онлайн протягом 30 днів з дати покупки. Кінцевий користувач може зареєструвати для подовження гарантійного періоду в своїй країні постійного перебування, якщо вона є доступною у відповідній опції онлайн форми реєстрації. Крім того, кінцевий користувач повинні дати свою згоду на зберігання даних, які необхідні для введення онлайн, а також вони повинні прийняти правила та умови. Отримання підтвердження реєстрації, яке відправляється на адресу електронної пошти, та оригінал гарантійного талона із зазначеною датою покупки буде слугувати доказом подожженої гарантії.
- Гарантія поширюється на всі дефекти пристрою протягом гарантійного терміну щодо недотримання стандартів виробництва або матеріалів на дату придбання. Гарантія обмежується ремонтом та/або заміною, та не включає в себе будь-яких інших зобов'язань, в тому числі, але не обмежена у разі випадковостей та подальших пошкоджень. Гарантія не діє, якщо пристрій використовувався неналежним чином, всупереч інструкції з експлуатації або був неправильно підключений до мережі. Дана гарантія не поширюється на:
 - пристрої, що були пошкоджені у результаті неправильного технічного обслуговування;
 - пристрої, що були видозмінені або модифіковані;
 - пристрої, оригінальне ідентифікаційне (товарний знак, серийний номер) маркування яких було пошкоджене, змінене або видалено;
 - будь-які пошкодження, заподіяні недотриманням інструкції з експлуатації;
 - пристрої, що не мають маркування CE;
 - продукт, що були відремонтовані неваліфікованим фахівцем або за відсутності попереднього дозволу від Techtronic Industries;
 - пристрої, підключені до невідповідного джерела живлення (сила току, напруження, частота);
 - будь-які пошкодження спричинені зовнішнім впливом (хімічним, фізичним, стрибком напруги) або сторонніми речовинами;
 - нормально амортизацію запасних частин;
 - невідповідне використання, перевантаження пристрою;
 - використання невідтверджених запасних частин або аксесуарів;
 - прилади до електрострумів, що постачається разом з пристроєм або купуються окремо. Такі винятки враховують але не є обмеженнями для наконечників викруток, свердел, абразивних дисків, наждачного паперу та лез, бінчих напрямних
 - компоненти(частини та приладдя) з урахуванням нормального зношування, враховуючи, але без обмеження на комплекти профілактики та технічного обслуговування, вулічні щітки, підшипники, патрони, кріплення або прийом SDS свердел, кабелі живлення, додаткові рукоятки, чохла для транспортування, шлифовальні пластини, мішки для збору пилу, трубки вилову, фетрові кілця, шпирі і пружини тайгверту і т.д.
- Для обслуговування, пристрій має бути відправлений або поданий до одного з авторизованих сервісних центрів RYOBI, які перелічені для кожної країни у наступному переліку адрес сервісних центрів. У деяких країнах місцевий дилер RYOBI зобов'язується відправити пристрій до сервісного центру RYOBI. При відправленні пристрою до сервісного центру RYOBI, пристрій має бути надійно упакований без будь-якого небезпечного вмісту, наприклад бензину, з позначеною адресою відправника та супроводжується коротким описом несправності.
- Ремонт / заміна відповідно до цієї гарантії здійснюється безкоштовно. Це не є основою для подовження або початку нового гарантійного періоду. Замінені частини або прилади переходять до власності компанії. У деяких країнах вартість доставки або поштові витрати повинні бути сплачені відправником. Загально встановлені права покупця на пристрій залишаються незмінними
- Ця гарантія є дієсною у країнах, членах ЄС, Швейцарії, Ісландії, Норвегії, Лихтенштейні, Туреччині, Росії та Великій Британії. За межами цих зон, будь ласка, зверніться до офіційного дилера RYOBI, щоб визначити, чи застосовується інша гарантія.

АВТОРИЗОВАНІ СЕРВІСНІ ЦЕНТРИ

З будь-яких питань або проблем, пов'язаних з пристроєм, ви можете звернутись до місцевих авторизованих сервісних центрів (відвідайте www.ryobitools.eu) або напрямку до: Techtronic Industries GmbH, Max Eyth Straße 10, 71364 Winnenden, Germany. Будь ласка, вкажіть серийний номер та тип продукту, вказані на етикетці.

TR RYOBI® GARANTİ UYGULAMA KOŞULLARI

Alımdan kaynaklanan yasal haklara ek olarak, ürün aşağıda belirtilen garanti kapsamındadır.

1. Tüketiciler için 24 ay olan garanti süresi, ürünün satın alındığı tarihte başlar. Bu tarihin bir fatura ya da alınmı kantıyaya belgelenmesi gerekir. Ürün sadece tüketim ve özel kullanım için geliştirilmiştir ve adanmıştır. Bu nedenle, profesyonel ya da ticari kullanım halinde garanti kapsamı sağlanmaz.
2. Elektrikli el aletlerinin bir bölümü (AC/DC) için www.ryobitools.eu sayfasındaki kayıt işlemini kullanarak garantinin belirtilen süresinin ötesine uzatma imkanı mevcuttur. Aletlerin garanti süresinin uzatılması uygun olup olmadığı mağazalarda ve / veya ambalajda açıklanmamış olabilir, ürün dokümanasyonunda gösterilir. Son kullanıcının yeni aldığı aletleri satın alma tarihini izleyen 30 gün içinde kaydedilmesi gerekir. Son kullanıcı imkatin etdiği ülkelerde, bu seçeneğin geçerli olduğu çevrimiçi kayıt formundaki belirtilmişse, uzatılmış garanti süresi için kayıt yapılabilir. Datası, son kullanıcılarn çevrimiçi giriş için gerekli verilerin kaydedilmesine izin vermesi ve hüküm ve koşulları kabul etmelidir. E-posta ile gönderilen kayıt teyit makbuzu ve alım tarihini gösteren orijinal fatura uzatılmış garantinin kanıtı olarak değerlendirilir.
3. Garanti, ürünün alım tarihindeki işçilik ve malzeme kusurları nedeniyle garanti süresi içinde oluşacak bütün arızalarını kapsar. Bu garanti onarım ve değiştirilmeye sınırlı olup, tesadüfı ya da dolaylı hasarlar da dahil, ancak bunlarla kısıtlı olmayan başka hiçbir taahhüdü kapsamaz. Garanti, ürünün kötü, kullanıci kılavuzuna aykırı kullanılması ya da yanlış bağlanmış olması halinde geçerli değildir. Bu garanti aşağıdakileri kapsamaz:
 - üründe, yanlış bakımdan kaynaklanan herhangi bir hasar
 - değiştirilmiş ya da modifiye edilmiş herhangi bir ürün
 - orijinal tanıtım işaretleri (ticari marka, seri numarası) silinmiş, değiştirilmiş ya da kaldırılmış herhangi bir ürün
 - kullanma kılavuzuna uymamaktan kaynaklanan herhangi bir hasar
 - herhangi bir AT dışı ürün
 - kalifiye olmayan personel tarafından ya da önceden Techtronic Industries onayı alınmadan onarılmış herhangi bir ürün.
 - uygunsuz güç kaynağına (amper, voltaj, frekans) bağlanmış herhangi bir ürün
 - harici etkenlerden (kimyasal, fiziksel, darbe) veya yabancı cisimlerden kaynaklanan her türlü hasar
 - normal aşınır ve yıpranır aksam
 - uygunsuz kullanımı, aletin aşırı yüklenmesi
 - onaysız aksesuar veya parça kullanımı
 - Aletle birlikte sağlanmış ya da ayrıca alınmış elektrikli alet aksesuarları. Tomavida uçları, matkap uçları, aşındırıcı diskler, zımpara kağıdı ve bıçakları, yanık kılavuz gibi aksesuarı içeren, ancak bunlarla sınırlı olmayan eklentiler
 - Servis ve Bakım kılifiyle, kömür fırçalar, yataklar, kovanlar, SDS matkap ucı bağlantısı ya da yuvaları, güç kablosu, yedek tutamak, nakliye ve taşıma kutusu, kumlama plakası, toz torbası, toz egzoz borusu, keçe rondelalar, Darbeli Tomavida Pim ve yayları vb. gibi parçaları kapsayan, ancak bunlarla sınırlı olmayan, aşınma ve yıpranmaya tabi bileşenler (aksam ve aksesuarlar).
4. Ürünün servis için her ülkede aşağıdaki servis istasyonları adres listesinde yer alan yetkili bir RYOBI servis istasyonuna gönderilmesi ya götürülmesi gereklidir. Bazı ülkelerde, yerel RYOBI distribütörünüz ü rünü RYOBI servis teşkilatına göndermeyi üslenir. Bir ürün bir RYOBI servis istasyonuna gönderilirse, ürünün güvenli bir biçimde ambalajlanması, bunun gibi tehlikeli maddeler içermemesi, gönderinin adresini taşımaması ve arızanın kısarı bir açıklamasını içermesi gerekir.
5. Bu garanti kapsamında yapılacak onarım / değiştirilmiş üretilmiştir. Garanti süresinin uzatılması ya da yeniden başlatılması aslına gelmez. Değiştirilmiş parçalar veya aletler bize ait olur. Bazı ülkelerde teslim üretilen veya posta giderlerinin gönderici tarafından ödemesi gerekir. Alımdan kaynaklanan yasal haklarınız etkilenebilir.
6. Bu garanti Avrupa Birliğinde, İsviçre, İzlanda, Norveç, Lichtenşayn, Türkiye, Rusya ve Birleşik Krallık'ta geçerlidir. Bu alanların dışında, başka bir garantinin geçerli olup olmadığını belirlemek için lütfen yetkili RYOBI distribütörünüzle iletişime geçin.

YETKİLİ SERVİS MERKEZİ

Ürünü ilgili her türlü talep ve sorun yerel yetkili servis merkezlerine (www.ryobitools.eu adresini ziyaret edin) veya doğrudan aşağıdaki şekilde iletişilebilir: Techtronic Industries GmbH, Max Eyth Straße 10, 71364 Winnenden, Germany. Lütfen etikette yer alan seri numarasını ve ürün tipini belirtin.

EL OROPI ΕΦΑΡΜΟΓΗΣ ΤΩΝ ΠΡΟΫΠΟΘΕΣΩΝ ΕΓΓΥΗΣΗΣ ΤΗΣ RYOBI®

Εκτός από τα νόμιμα δικαιώματα, τα οποία προκύπτουν από την αγορά, το προϊόν καλύπτεται από εγγύηση, λεπτομέρειες της οποίας ακολουθούν στη συνέχεια.

1. Η διάρκεια της εγγύησης για τους καταναλωτές είναι 24 μήνες και αρχίζει από την ημερομηνία αγοράς. Η ημερομηνία θα πρέπει να αναγράφεται στην απόδειξη ή σε άλλο αποδεικτικό αγοράς. Το προϊόν έχει σχεδιαστεί και προορίζεται αποκλειστικά για οικιακή χρήση από καταναλωτές. Συνεπώς, δεν παρέχεται εγγύηση σε περιπτώσεις επαγγελματικής ή εμπορικής χρήσης.
2. Υπάρχει η δυνατότητα επέκτασης της εγγύησης για ορισμένα ηλεκτρικά εργαλεία (AC/DC), πέραν του παραπάνω αναφερόμενου χρονικού διαστήματος, μέσω εγγραφής στο δικτυακό τόπο www.ryobitools.eu. Η επέκτασή της των εργαλείων με δυνατότητα επέκτασης της περιόδου εγγύησης αναγράφεται ρητά στο καταστήματά και/ή επί του συσκευασίας, ενώ περιέχεται στην τεκμηρίωση του προϊόντος. Το τελικό χρήστης θα πρέπει να καταχωρήσει τα προσωπικά αποκτηθέντα εργαλεία online, εντός 30 ημερών από την ημερομηνία αγοράς. Ο τελικός χρήστης μπορεί να εγγραφεί για την επέκταση εγγύησης στη χώρα κατοικίας, εφόσον αυτή περιλαμβάνεται στο online έντυπο εγγραφής, εάν υπάρχει η δυνατότητα επέκτασης. Επιπλέον, ο τελικός χρήστης θα πρέπει να παρέχουν τη συγκεκριμένη τους για την αποδείχηση των στοιχείων τους, τα οποία οφείλουν να καταχωρούνται online, όπως και να αποδεχθούν του όρους και της πολιτικής. Η απόδειξη επιβεβαιώνει της εγγραφής, η οποία αποστέλλεται μέσω email, και η πρωτότυπη απόδειξη αγοράς, η οποία αναγράφει την ημερομηνία αγοράς, αποτελούν αποδεικτικά της παραταμένης εγγύησης.
3. Η εγγύηση καλύπτει όλα τα ελαττώματα του προϊόντος, κατά τη διάρκεια της περιόδου εγγύησης, λόγω κατασκευαστικών ελαττωμάτων ή αστοχίας υλικού κατά την ημερομηνία αγοράς. Η εγγύηση περιορίζεται στην επισκευή και/ή την αντικατάσταση και δεν περιλαμβάνει κομία άλλη υποχρέωση, συμπεριλαμβανομένων, ενδεικτικά, συμπληρωματικών ή παρεπόμενων ζημιών. Η εγγύηση δεν ισχύει εφόσον, έχει σημειωθεί κακομεταχείριση του προϊόντος, δεν έχουν τηρηθεί οι οδηγίες του χειριρίου οδηγίου ή το προϊόν έχει συνδεθεί λανθασμένα. Η εγγύηση δεν ισχύει για:
 - οποιαδήποτε ζημία στο προϊόν, η οποία είναι αποτέλεσμα κακής συντήρησης
 - οποιαδήποτε προϊόν, το οποίο έχει αλλοιωθεί ή τροποποιηθεί
 - οποιαδήποτε προϊόν, στο οποίο έχει αλλοιωθεί, τροποποιηθεί ή αφαιρεθεί το γνήσιο αναγνωριστικό (σημά κατατεθέν, σειριακό αριθμό)
 - οποιαδήποτε ζημία προκλήσει λόγω μη τήρησης του χειριρίου οδηγίου
 - οποιαδήποτε προϊόν χωρίς σήμανση CE
 - οποιαδήποτε προϊόν, στο οποίο γίνει προσπάθεια επισκευής από μη καταρτισμένο επαγγελματία ή χωρίς την προηγούμενη έγκριση της Techtronic Industries.
 - οποιαδήποτε προϊόν, το οποίο έχει συνδεθεί σε ακατάλληλη παροχή ρεύματος (αμπερ, ισχύ, συχνότητα)
 - οποιαδήποτε ζημία έχει προκλήσει από εξωτερικές επιδράσεις (χημικές, φυσικές, κλυδωνισμούς) ή ξένες υυσίες
 - φυσικολογική φθορά και ρήξη ανταλλακτικών
 - ακατάλληλη χρήση, υπερφόρτωση του εργαλείου
 - χρήση μη ενδεδειγμένων εξαρτημάτων ή ανταλλακτικών
 - Εξαρτήματα ηλεκτρικών εργαλείων που παρασχεθούν με το εργαλείο ή αγοράστηκαν ξεχωριστά. Τέτοιες εξαρτήματα περιλαμβάνουν, ενδεικτικά, μύτες καταβίδιου, τρυπάνια, δίσκους λείανσης, γυαλόχαρτο και λειπίδες, πλευρικό οδηγό
 - Εξαρτήματα (ανταλλακτικά και αξεσουάρ) που υπόκεινται σε φυσική φθορά και θραύση, συμπεριλαμβανομένων, ενδεικτικά, σετ επισκευής & συντήρησης, υπηκτών άνθρακα, εφεδρώνων, τοσok, εξαρτημάτων ή υποδοχών τρυπανιών SDS, καλωδίων ισχύος, βοηθητικής λαβής, βαλίτσας μεταφοράς, βάσης τριβείου, σκαλοτάς συλλογής σκόνης, σωλήνα εξαγωγής σκόνης, ροδαλών τσάχας, μυτών και ελατρίων κρουστικού κλειδιού κοχλίων, κτλ.
4. Το προϊόν θα πρέπει να αποσταλεί ή να παραδοθεί για επισκευή ή συντήρηση σε εξουσιοδοτημένο σημείο σέρβις της RYOBI που περιλαμβάνεται στον ακόλουθο κατάλογο διευθύνσεων για κάθε χώρα. Σε ορισμένες χώρες, το τοπικό σημείο πώλησης της RYOBI αναλαμβάνει την αποστολή του προϊόντος στο κεντρικό σέρβις της RYOBI. Κατά την αποστολή ενός προϊόντος σε σημείο σέρβις της RYOBI, αυτό θα πρέπει να είναι ασφαλώς συσκευασμένο, χωρίς επικίνδυνο περιεχόμενο, όπως, πετρέλαιο, να φέρει τη διεύθυνση του αποστολέα και να συνοδεύεται από σύντομη περιγραφή της βλάβης.
5. Η επιδιόρθωση / αντικατάσταση υπό την παρούσα εγγύηση παρέχεται δωρεάν. Δε συνιστά παράταση της περιόδου εγγύησης ή εκκίνηση νέας περιόδου εγγύησης. Τα μέρη που αντικαθίστανται δεν περιλαμβάνονται στην κυριότητα μας. Σε ορισμένες χώρες, τα ενδεδειγμένα έξοδα παράσης ή μεταφοράς βαρύνουν τον αποστολέα. Τα νόμιμα δικαιώματά σας, τα οποία απορρέουν από την αγορά του εργαλείου, δεν θίγονται.
6. Η εγγύηση αυτή ισχύει στην Ευρωπαϊκή Ένωση, την Ελβετία, την Ισπανία, τη Νορβηγία, το Λιχτενστάιν, την Τουρκία, τη Ρωσία και το Ηνωμένο Βασίλειο. Εκτός των παραπάνω περιοχών, σας παρακαλούμε να επικοινωνήσετε με εξουσιοδοτημένο κατάστημα πώλησης της RYOBI, προκειμένου να διαπιστωθεί ένα ισχύει κάποια άλλη εγγύηση.

ΕΞΟΥΣΙΟΔΟΤΗΜΕΝΟ ΚΕΝΤΡΟ ΣΕΡΒΙΣ

Για οποιαδήποτε αίτημα ή πρόβλημα με το προϊόν μπορείτε να απευθυνθείτε στα τοπικά εξουσιοδοτημένα κέντρα σέρβις (επισκεφθείτε τη διεύθυνση www.ryobitools.eu) ή απευθείας στη διεύθυνση: Techtronic Industries GmbH, Max Eyth Straße 10, 71364 Winnenden, Germany. Αναφέρετε τον σειριακό αριθμό και τον τύπο προϊόντος που αναγράφονται στην ετικέτα.

EN EC DECLARATION OF CONFORMITY**Drill press**Brand: RYOBI | Manufacturer¹ | Model number² | Serial number range³

We declare as the manufacturer under our sole responsibility that the product mentioned below fulfills all the relevant provisions of the following European Directives, European Regulations and harmonised standards⁴

Authorised to compile the technical file:⁵**FR DÉCLARATION CE DE CONFORMITÉ****Perceuse à colonne**Marque: RYOBI | Fabricant¹ | Numéro de modèle² | Étendue des numéros de série³

Nous déclarons, en qualité de fabricant, sous notre entière responsabilité, que le produit mentionné ci-dessous remplit toutes les dispositions pertinentes des directives et réglementations européennes suivantes, ainsi que des normes harmonisées⁴

Autorisé à rédiger le dossier technique:⁵**DE EG-KONFORMITÄTSERKLÄRUNG****Tischbohrmaschine**Marke: RYOBI | Hersteller¹ | Modellnummer² | Seriennummernbereich³

Wir als Hersteller erklären in alleiniger Verantwortung, dass das nachstehend erwähnte Produkt allen einschlägigen Bestimmungen der folgenden EU-Richtlinien, EU-Verordnungen und harmonisierten Normen entspricht⁴

Autorisiert die technische Datei zu erstellen:⁵**ES DECLARACIÓN CwE DE CONFORMIDAD****Prensa taladradora**Marca: RYOBI | Fabricante¹ | Número de modelo² | Intervalo del número de serie³

Como fabricante, declaramos, bajo nuestra exclusiva responsabilidad, que el producto mencionado a continuación cumple con todas las disposiciones relevantes de las siguientes directivas, normas armonizadas y reglamentos europeos⁴

Autorizado para elaborar la ficha técnica:⁵**IT DICHIARAZIONE CE DI CONFORMITÀ****Trapano a colonna**Marca: RYOBI | Ditta produttrice¹ | Numero modello² | Gamma numero serie³

In qualità di produttori, dichiariamo, sotto la nostra esclusiva responsabilità, che il prodotto descritto di seguito ottempera a tutte le pertinenti disposizioni delle seguenti direttive europee, normative europee e dei seguenti standard armonizzati⁴

Autorizzato per compilare il file tecnico:⁵**NL EG-VERKLARING VAN OVEREENSTEMMING****Kolomboormachine**Merk: RYOBI | Fabrikant¹ | Modelnummer² | Seriennummerekijk³

Wij verklaren naar onze eigen verantwoordelijkheid als fabrikant, dat het hieronder genoemde product voldoet aan alle relevante bepalingen van de volgende Europese richtlijnen, Europese verordeningen en geharmoniseerde normen⁴

Afgevaardigd voor het samenstellen van de technische fiche:⁵**PT DECLARAÇÃO CE DE CONFORMIDADE****Barbequim de coluna**Brand: RYOBI | Fabricante¹ | Número do modelo² | Intervalo do número de série³

Declaramos na qualidade de fabricante e sob nossa exclusiva responsabilidade que o produto mencionado abaixo cumpre todas as disposições aplicáveis das seguintes diretivas, regulamentos e normas harmonizadas da União Europeia⁴

Autorizado para compilar o ficheiro técnico:⁵**DA EF-OVERENSSTEMMELSESEKLERING****Søjleboremaskine**Brand: RYOBI | Producent¹ | Modelnummer² | Seriennummerområde³

Vi erklærer som fremstiller under eget ansvar, at produktet nævnt nedenfor opfylder alle de relevante forskrifter i de følgende europæiske direktiver, europæiske forordninger og harmoniserede standarder⁴

Bemyndiget til at udarbejde det tekniske kartek:⁵**SV EG-FÖRSÄKRAN ÖVERENSSTÄMMELSE****Pelarbormaskin**Märke: RYOBI | Tillverkare¹ | Modellnummer² | Seriennummerintervall³

Vi som tillverkare förklarar under eget ansvar att den produkt som nämns nedan uppfyller alla relevanta föreskrifter i följande europeiska direktiv, europeiska förordningar och harmoniserade standarder⁴

Godkänd att sammanställa den tekniska filen:⁵**FI EY-VAATIMUSTENMUKAISUUSVAKUUTUS****Pylväsporakone**Tuotemerkki: RYOBI¹ | Valmistaja¹ | Mallinnumero² | Sarjanumeroalue³

Valmistajana vakutamme alla mainitun tuotteen täytävän seuraavien eurooppalaisten direktiivien, asetusten ja yhdenmukaistettujen standardien kaikki asiaankuuluvat vaatimukset⁴

Valtuutettu kokoamaan tekninen tiedosto:⁵**NO CE-SAMSVARERKLÆRING****Stativboremaskin**Merke: RYOBI | Produsent¹ | Modellnummer² | Seriennummerserie³

Vi erklærer, som produsent, på eget ansvar at produktet beskrevet nedenfor oppfyller alle de relevante bestemmelsene i de europeiske direktiver, europeiske forskrifter og harmoniserte standarder⁴

Autorisert til å sette sammen den tekniske filen:⁵**RU ДЕКЛАРАЦИЯ О СООТВЕТСТВИИ СТАНДАРТАМ ЕС****Вертикально-сверлильный станок**Марка: RYOBI | Изготовитель¹ | Номер модели² | Диапазон заводских номеров³

Со всей ответственностью как производитель заявляем, что нижеупомянутое изделие отвечает всем соответствующим положениям следующих европейских директив, европейских регламентов, а также гармонизированных стандартов⁴

Лицо, ответственное за подготовку технической документации:⁵**PL DEKLARACJA ZGODNOŚCI WE****Wiertarka pionowa**Marka: RYOBI | Producent¹ | Numer modelu² | Zakres numerów seryjnych³

Jako producent oświadczamy na własną odpowiedzialność, że produkt opisany w sekcji „Specyfikacja” spełnia wszystkie istotne postanowienia wymienionych poniżej dyrektyw UE, przepisów europejskich oraz norm zharmonizowanych⁴

Osoba upoważniona do sporządzenia dokumentu technicznego:⁵**CS ES PROHLÁŠENÍ O SHODĚ****Sloupová vrtačka**Značka: RYOBI | Výrobce¹ | Číslo modelu² | Rozsah sériových čísel³

Jako výrobce prohlašujeme výhradně na vlastní odpovědnost, že náš uvedený výrobek splňuje všechna příslušná ustanovení evropských směrnic, evropských nariadení a harmonizovaných norm⁴

Pověřeni ke kompilaci technického souboru:⁵**HU EK-MEGFELELŐSÉGI NYILATKOZATA****Oszlopos fúrógép**Márka: RYOBI | Gyártó¹ | Típuszám² | Sorozatszám tartomány³

Gyártóként kizárólagos felelősségünk tudatában nyilatkozunk, hogy az alább említett termék megfelel a következő európai irányelvek, szabályozások és harmonizált szabványok vonatkozó rendelkezéseinek⁴

A műszaki dokumentáció összeállítására felhatalmazott:⁵**RO DECLARAȚIE DE CONFORMITATE CE****Mașină de găurit**Marcă: RYOBI | Producător¹ | Număr serie² | Gamă număr serie³

În calitate de producător, declarăm pe proprie responsabilitate că produsul menționat mai jos îndeplinește toate prevederile relevante ale directivei Uniunii Europene, ale Regulamentelor UE și standardelor armonizate⁴

Autorizat să completeze fișa tehnică:⁵**LV EK ATBILSTĪBAS DEKLARĀCIJA****Stacionārā urbmašīna**Zīmols: RYOBI | Ražotājs¹ | Modeļa numurs² | Sērijas numura intervāls³

Ar pilnu atbildību mēs kā ražotājs deklarējam, ka tālāk norādītais produkts izpilda visas atbilstošās norādīto Eiropas direktīvu, Eiropas regulu un harmonizēto standartu prasības⁴

Pilnvarots sastādīt tehnisko failu:⁵**LT EB ATITIKTIES DEKLARACIJA****Vertikalusis grąžtas**Prekės ženklas: RYOBI | Gamintojas¹ | Modelio numeris² | Serijinio numerio diapazonas³

Mes, gamintojai, atskingiai pareiškiame, kad toliau minimas gaminytis atitinka nurodytus Europos direktyvas, Europos reglamentus ir darniuosius standartus⁴

Įgaliojats sudaryti techninį failą:⁵

ET EÜ VASTAVUSDEKLARATSIOON

Puurpink

Mark: RYOBI | Tootja¹ | Mudeli number² | Seerianumbri vahemik³
Kinnitame tootjana ainuiskusileit, et allpool nimetatud toode vastab järgmistele Euroopa direktiivide, Euroopa määruste ja ühtlustatud standardite kõigile asjaomastele sätetele⁴

Tehnilise faili koostamiseks voilitatud isik:⁵

HR IZJAVA O SUKLADNOSTI

Stupna bušilica

Marka: RYOBI | Proizvođač¹ | Broj modela² | Raspon serijskog broja³

Kao proizvođač, pod punom odgovornošću izjavljujemo da proizvod naveden u nastavku zadovoljava sve relevantne odredbe sljedećih europskih direktiva, europskih uredbi i usklađenih normi⁴

Ovlašten da sastavi tehničku datoteku:⁵

SL ES-IZJAVA O SKLADNOSTI

Namizni vrtni stroj

Znamka: RYOBI | Proizvajalec¹ | Številka modela² | Razpon serijskih števil³

Kot proizvajalec pod izključno odgovornostjo izjavljamo, da spodaj navedeni izdelek izpolnjuje vse ustrezne predpise naslednjih evropskih direktiv, evropskih uredb in harmoniziranih standardov⁴

Pooblaščen oseba za sestavo tehnične dokumentacije:⁵

SK ES VYHLÁŠENIE O ZHODE

Stojanová vrtačka

Značka: RYOBI | Výrobca¹ | Číslo modelu² | Rozsah sériových čísel³

Ako výrobca na vlastnú zodpovednosť vyhlasujeme, že dolu uvedený výrobok vyhovuje príslušným ustanoveniam nasledujúcich európskych smerníc, európskych nariadení a harmonizovaných noriem⁴

Oprávnená osoba na zostavenie technického súboru:⁵

BG CE - ДЕКЛАРАЦИЯ ЗА СЪОТВЕТСТВИЕ

Колонна бормашина

Марка: RYOBI | Производител¹ | Номер на модела² | Обхват на серийни номера³

Като производител декларираме на своя лична отговорност, че продуктът, посочен по-долу, отговаря на всички съответни разпоредби на директивите и регламентите на Европейския съюз и хармонизираните стандарти по-долу⁴

Упълномощено лице за съставяне на техническия файл:⁵

UK СЕРТИФИКАТ ВІДПОВІДНОСТІ ВИМОГАМ ЄС

Свердильний верстат

Марка: RYOBI | Виробник¹ | Номер моделі² | Діапазон серійного номеру³

Як виробник ми відповідально заявляємо, що описаний нижче пристрій відповідає всім чинним положенням директив ЄС, Європейських норм та гармонізованих стандартів⁴

Дозвіл на складання технічного файлу:⁵

TR CE UYGUNLUK BEYANI

Matkap tezgahi

Marka: RYOBI | Üretici¹ | Model numarası² | Seri numarası aralığı³

Üretici olarak tüm sorumluluğu bize ait olmak üzere, aşağıda belirtilen ürünün aşağıdaki Avrupa Direktifleri, Avrupa Mevzuatı ve uyumlaştırılmış standartların ilgili hükümlerini yerine getirdiğini beyan ederiz⁴

Teknik dosya hazırlamaya yetkilidir:⁵

EL ΔΗΛΩΣΗ ΣΥΜΜΟΡΦΩΣΗΣ ΕΚ

Τρυπάνι πρέσας

Μάρκα: RYOBI | Κατασκευαστής¹ | Αριθμός μοντέλου² | Έυρος σειριακών αριθμών³

Δηλώνουμε, με αποκλειστικά δική μας ευθύνη, ότι το παρακάτω αναφερόμενο προϊόν πληρεί όλες τις σχετικές διατάξεις των ακόλουθων Ευρωπαϊκών Οδηγιών, Ευρωπαϊκών Κανονισμών και εναρμονισμένων προτύπων⁴

Εξουσιοδοτημένο άτομο για σύνταξη τεχνικού αρχείου:⁵

GB-DECLARATION OF CONFORMITY

Manufacturer: Techtronic Industries GmbH
Max-Eyth-Straße 10, 71364 Winnenden, Germany

We declare as the manufacturer under our sole responsibility that the product mentioned below

Drill press

Brand: RYOBI

Model number: RDP102L

Serial number range: 48614202000001 - 48614202999999

fulfills all the relevant provisions of the following Regulations: S.I. 2008/1597 (as amended), S.I. 2016/1091 (as amended), S.I. 2012/3032 (as amended) and that the following designated standards have been used:

BS EN IEC 55014-1:2021, BS EN IEC 55014-2:2021,
BS EN IEC 61000-3-2:2019+A1:2021, BS EN 61000-3-3:2013+A1:2019,
BS EN 62841-1:2015, BS EN 62841-3-13:2017,
BS EN IEC 63000:2018

Todd Chipner
Vice President, Quality - Asia
Winnenden, Apr. 28, 2023

Authorised to compile the technical file:

Techtronic Industries (UK) Ltd
Parkway
Marlow Bucks SL7 1YL
UK

¹ Techtronic Industries GmbH
Max-Eyth-Straße 10, 71364 Winnenden, Germany

² RDP102L

³ 48614202000001 - 48614202999999

⁴ 2006/42/EC, 2014/30/EU, 2011/65/EU,
EN IEC 55014-1:2021, EN IEC 55014-2:2021,
EN IEC 61000-3-2:2019+A1:2021, EN 61000-3-3:2013+A1:2019,
EN 62841-1:2015, EN 62841-3-13:2017,
EN IEC 63000:2018

Todd Chipner
Vice President, Quality - Asia
Winnenden, Apr. 28, 2023

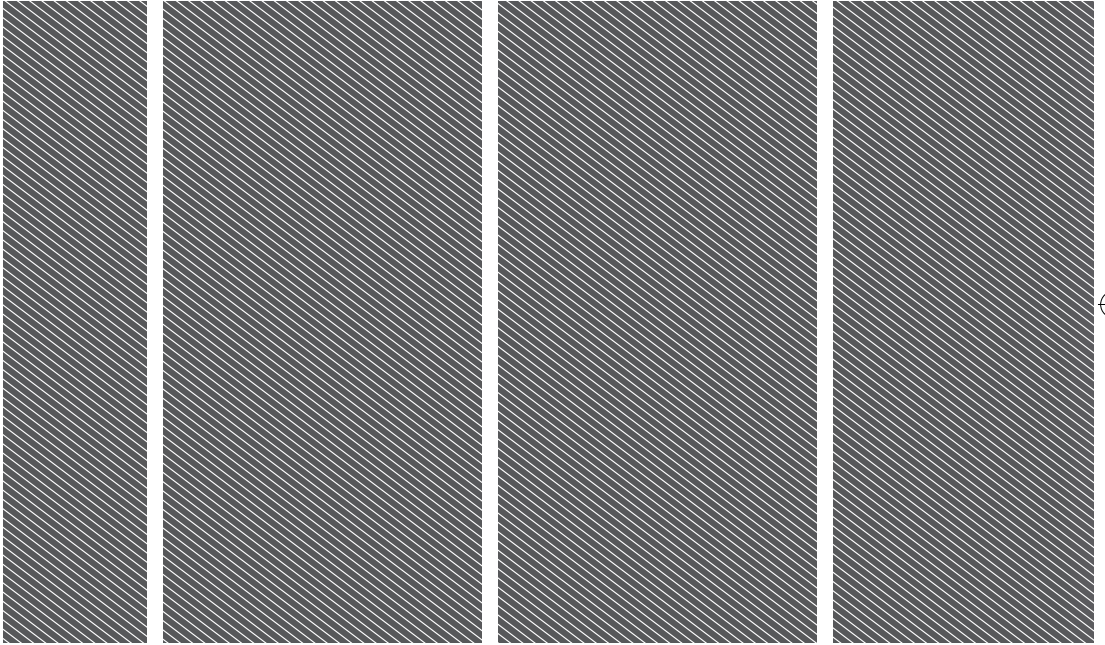
⁵ Alexander Krug, Managing Director
Techtronic Industries GmbH
Max-Eyth-Straße 10, 71364 Winnenden, Germany





- EN** RYOBI is a trade mark of Ryobi Limited, and is used under license.
- FR** RYOBI est une marque déposée de Ryobi Limited, et est utilisée sous licence.
- DE** RYOBI ist ein Markenzeichen von Ryobi Limited und wird in Lizenz verwendet.
- ES** RYOBI es una marca registrada de Ryobi Limited, y se utiliza bajo licencia.
- IT** L'utilizzo del marchio registrato RYOBI è legato alla licenza concessa da Ryobi Limited.
- NL** RYOBI is een handelsmerk van Ryobi Limited en wordt onder licentie gebruikt.
- PT** RYOBI é uma marca comercial de Ryobi Limited, e é utilizada sob licença.
- DA** RYOBI er et varemærke tilhørende Ryobi Limited og bruges under licens.
- SV** RYOBI är en del av varumärke Ryobi Limited och dess användning är licensierad.
- FI** RYOBI on Ryobi Limitedin omistama tavaramerkki, ja sitä käytetään lisenssin puitteissa.
- NO** RYOBI er et varemerke for Ryobi Limited, og brukes under lisens.
- RU** RYOBI является товарным знаком компании Ryobi Limited, используемым по лицензии.
- PL** RYOBI to znak towarowy firmy Ryobi Limited i jest używany zgodnie z udzieloną licencją.
- CS** RYOBI je ochranná známka společnosti Ryobi Limited a její používání podléhá licenci.
- HU** A RYOBI a Ryobi Limited védjegye, használatá licenc keretében történik.
- RO** RYOBI este o marcă comercială a firmei Ryobi Limited și este utilizată sub licență.
- LV** RYOBI ir Ryobi Limited preču zīme un tiek izmantota saskaņā ar licenci.
- LT** „RYOBI” yra „Ryobi Limited” prekės ženklas, naudojamas pagal licenciją.
- ET** RYOBI on ettevõtte Ryobi Limited kaubamärk, mida kasutatakse litsentsi alusel.
- HR** RYOBI je zig tvrtke Ryobi Limited i koristi se po licenci.
- SL** RYOBI je blagovna znamka družbe Ryobi Limited in se uporablja na podlagi dovoljenja.
- SK** RYOBI je ochranná známka spoločnosti Ryobi Limited a používa sa na základe licencie.
- BG** RYOBI е търговска марка на Ryobi Limited и се използва под лиценз.
- UK** RYOBI є товарним знаком Ryobi Limited, і використовується за ліцензією.
- TR** RYOBI, Ryobi Limited şirketine ait olup, lisans altında kullanılan bir ticari markadır.
- EL** Το RYOBI αποτελεί εμπορικό σήμα της Ryobi Limited και χρησιμοποιείται μετά από χορήγηση άδειας.





Techtronic Industries GmbH
Max-Eyth-Straße 10,
71364 Winnenden, Germany

Techtronic Industries (UK) Ltd
Parkway
Marlow Bucks SL7 1YL
UK
20230426v7